

# DPVH890EJ

## GE Profile™ 7.5 Cu. Ft. Colossal Capacity Electric Dryer With Steam

### Dimensions and Installation Information (in inches)

Electric Dryer Rating	
240V	5600W, 24A, 60Hz

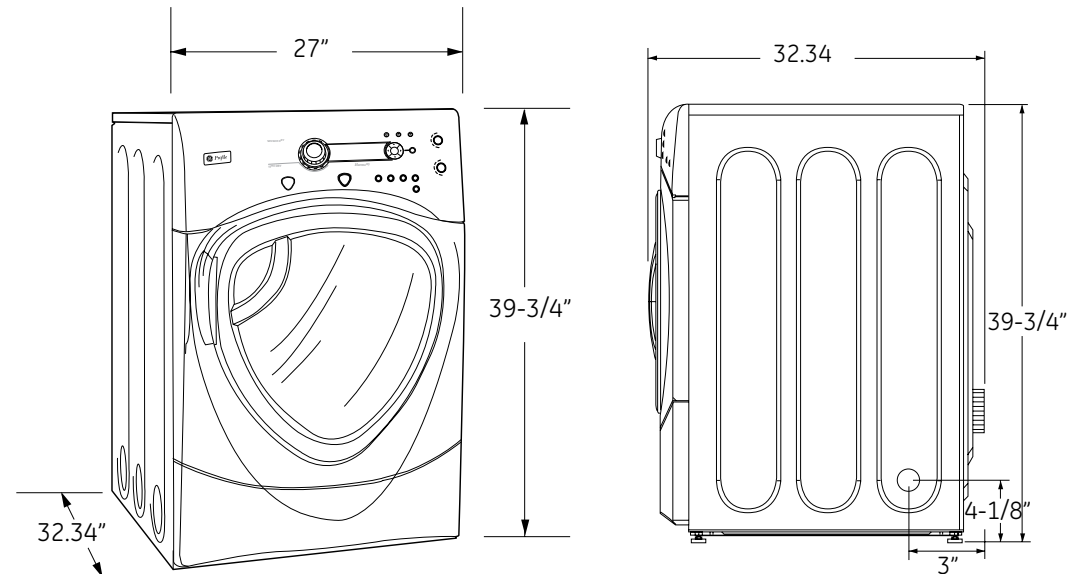
**Exhaust Options:** 4-way via rear, left, right and bottom.

**Circuit Requirements:** An individual, properly grounded branch circuit, protected by a 30-amp circuit breaker or a time-delay fuse, is required.

**LP Conversion Kit:** WE25M46

**Note:** Dryer wall outlet must be located within 36" of service cord entry and accessible when dryer is mounted in position.

**Installation Information:** For complete information, see installation instructions packed with your dryer.



For answers to your Monogram®, GE Profile™ or GE® appliance questions, visit our website at [ge.com](http://ge.com) or call GE Answer Center® service, 800.626.2000.



# DPVH890EJ

## GE Profile™ 7.5 Cu. Ft. Colossal Capacity Electric Dryer With Steam

### Special Installation Requirements:

#### Stacked Installation:

- Brackets for stacking dryer over washer are available at an additional cost

#### Alcove or Closet Installation:

- If your dryer is approved for installation in an alcove or closet, it will be stated on a label on the dryer back.
- The dryer MUST be exhausted to the outside.
- Minimum clearances between dryer cabinet and adjacent walls or other surfaces are: 0" either side, 3" front and rear
- Minimum vertical space from floor to overhead cabinets, ceilings, etc. is 52".
- Closet doors must be louvered or otherwise ventilated and must contain a minimum of 60 sq. in. of open area equally distributed. If this closet contains both a washer and a dryer, doors must contain a minimum of 120 sq. in. of open area equally distributed.
- No other fuel-burning appliance shall be installed in the same closet with a gas dryer.

#### Bathroom or Bedroom Installation:

- The dryer MUST be exhausted to the outdoors.
- The installation must conform with the local codes, or in the absence of local codes, with the National Electric Code and National Electric Code and National Fuel Gas Code, ANSI Z223 for gas dryers.

#### Minimum Clearance other than Alcove or Closet Installations:

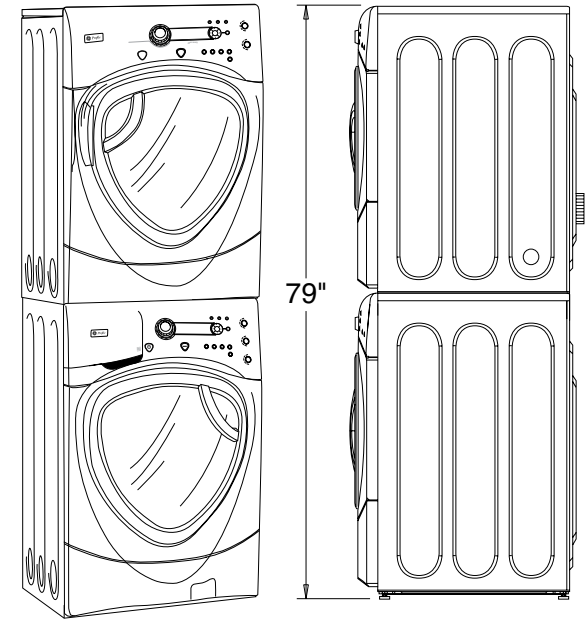
- Minimum clearances to combustible surfaces 0" both sides, 3" rear.

**For more information on venting kits and accessories, please call 1-800-GE-CARES.**

For answers to your Monogram®, GE Profile™ or GE® appliance questions, visit our website at [ge.com](http://ge.com) or call GE Answer Center® service, 800.626.2000.



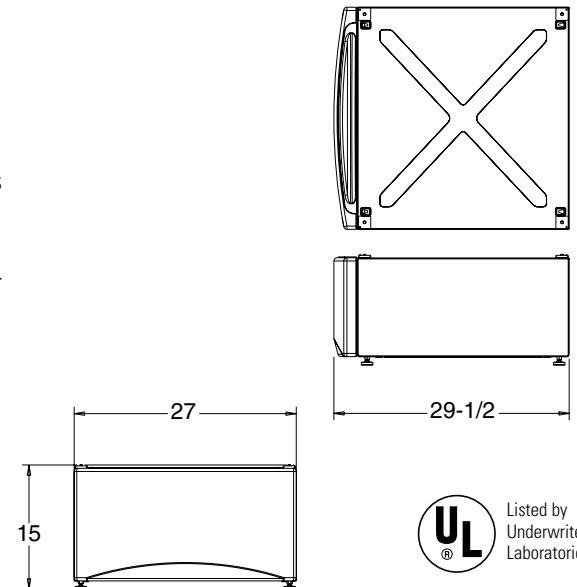
### Stacked Dimensions (in inches)



### Storage Pedestal Dimensions (in inches)

- SPSD157JMG - Champagne
- SPSD157JMV - Vermillion Red
- SPSD157JWW - White

This optional 15" pedestal raises the door opening and height of the washer or dryer. Feet on 15" pedestal allow it to adjust to 15-3/8" height.



Specification Revised 5/09

270198

# DPVH890EJ

## GE Profile™ 7.5 Cu. Ft. Colossal Capacity Electric Dryer With Steam

### Dryer Exhausting Information – Metal Duct Only

For complete information, see installation instructions packed with your dryer.

**Ducting Materials:** For best performance, this dryer should be vented with 4" diameter all rigid metal exhaust duct. If rigid metal duct cannot be used, then UL-listed flexible metal (semi-rigid) ducting can be used (Kit WX08X10077). In special installations, it may be necessary to connect the dryer to the house vent using a flexible metal (foil-type) duct. A UL-listed flexible metal (foil-type) duct may be used ONLY in installations where rigid metal or flexible metal (semi-rigid) ducting cannot be used AND where a 4" diameter can be maintained throughout the entire length of the transition duct. Please see installation instruction packed with your dryer for complete instructions when using flexible metal (foil type) ducting.

#### Exhaust Length Calculation:

1. Determine the number of 90° turns needed for your installation. If you exhaust to the side or bottom of dryer, add one turn.
2. The maximum length of 4" rigid (aluminum or galvanized) duct which can be tolerated is shown in the table.

A turn of 45° or less may be ignored. Two 45° turns within the duct length should be treated as a 90° elbow.

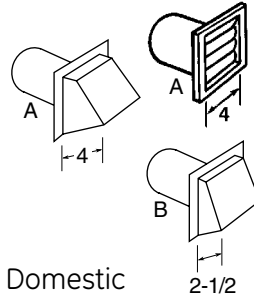
A turn over 45° should be treated as a 90° elbow.

Dryers **must** be exhausted to the outside.

**Caution:** For personal safety do not terminate exhaust into a chimney, under any enclosed house floor (crawl space), or into an attic, since the accumulated lint could create a fire hazard or moisture could cause damage. Never terminate the exhaust into a common duct or plenum with a kitchen exhaust, since the combination of lint and grease could create a fire hazard.

Exhaust ducts should be terminated in a dampered wall cap to prevent back drafts, bird nesting, etc. The wall cap must also be located at least 12" above the ground or any other obstruction with the opening pointed Down.

For more information on venting kits and accessories, please call 1-800-GE-CARES.



		Best performance	
		Maximum length of 4" dia. rigid metal duct	
		Exhaust hood type	
Domestic dryer models	Number of 90° turns	A 4" opening	B 2-1/2" opening
7.5 and 7.3 cu. ft. capacity electric and gas dryers	0	150 ft.	127 ft.
	1	140 ft.	117 ft.
	2	130 ft.	107 ft.
	3	120 ft.	97 ft.
	4	110 ft.	87 ft.



imagination at work

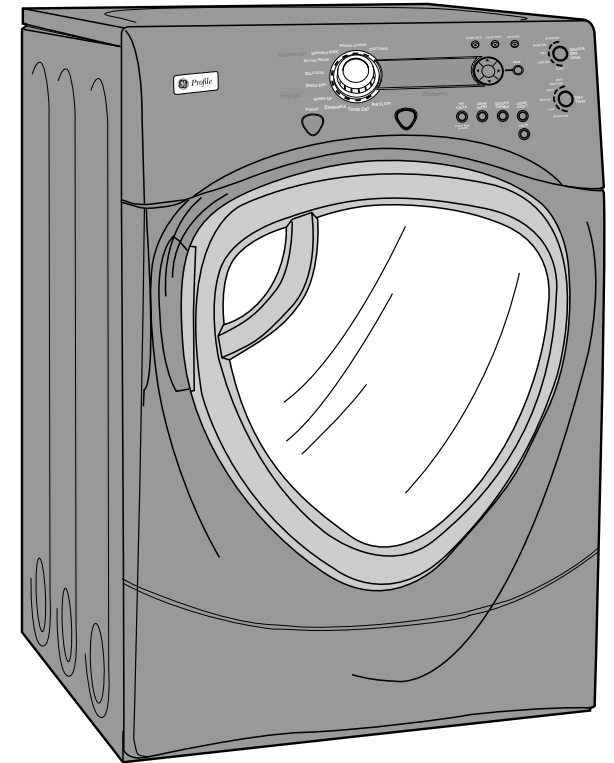


# DPVH890EJ

## GE Profile™ 7.5 Cu. Ft. Colossal Capacity Electric Dryer With Steam

### Features and Benefits

- 7.5 Cu. Ft. Colossal Capacity - This colossal size dryer will be ready and able to take on everything the washer sends its way
- SteamRefresh - Helps reduce wrinkles, odors and rejuvenates clothes
- Steam Dewrinkle - Removes wrinkles and refreshes clean clothes
- Reverse Tumble - By reversing the rotation of the drum, you can expect gentle, fast even drying
- DuoDry™ System - Quickly and consistently dries all types of clothes
- Specialty Dry Cycles - Provide just the right levels of drying for better fabric care
- Baffle Dry - Built-in drying rack and hanger-clip design multiplies the drying options for hard-to-dry items or delicates
- CleanSpeak™ Communication System - The washer communicates electronically with the dryer, which then presets dry cycles for better clothes care, increased time savings and greater convenience
- Stainless Steel Drum - Resists rust and won't chip, peel or snag clothes
- Delay Start - Lets you do the laundry on your terms
- Optional Stacking Bracket (GEFLSTACK) - Available at an additional cost
- Model DPVH890EJMG - Champagne
- Model DPVH890EJMV - Vermillion Red
- Model DPVH890EJWW - White



imagination at work