

This Owner's Manual is provided and hosted by [Appliance Factory Parts](#).



DYNA-GLO DGP480CSP Owner's Manual

[Shop genuine replacement parts for DYNA-GLO
DGP480CSP](#)



[Find Your DYNA-GLO Grill Parts - Select From 227 Models](#)

----- Manual continues below -----

USER'S MANUAL AND OPERATING INSTRUCTIONS



C US

ANS Z21.58a-2008 CSA1.6a-2008
Outdoor Cooking Gas Appliance

Assembler/Installer: This manual contains important information necessary for the proper assembly and safe use of this appliance. Read and follow all warnings and instructions before assembling and using this appliance. **Leave these instructions with the consumer.**

Consumer/User: Follow all warnings and instructions when using this appliance.
Retain these instructions for future reference.

⚠ DANGER:

If you smell gas:

- 1. Shut off gas to the appliance.**
- 2. Extinguish any open flame.**
- 3. Open Lid.**
- 4. If odor continues, keep away from the appliance and immediately call your gas supplier or your fire department.**

⚠ WARNING:

1. Do not store or use gasoline or other flammable liquids or vapors in the vicinity of this or any other appliance.
2. An LP cylinder not connected for use shall not be stored in the vicinity of this or any other appliance.
3. This grill is for outdoor use only, and shall not be used in a building, garage, under overhangs or any other enclosed area.
4. Do not leave a lit grill unattended. Keep children and pets away from the grill at all times.

Questions, problems, missing parts? Before returning to your retailer, call our customer service department at 1-877-447-4768, 8:30 a.m. – 4:30 p.m., CST, Monday – Friday or e-mail us at customerservice@ghpgroupinc.com.



NO NEED TO RETURN TO THE STORE

Questions With The Assembly?
Require Parts Information?
Product Under Manufacturers Warranty?

Call Toll Free : 1-877-447-4768
8:30 a.m. – 4:30 pm CST, Monday – Friday

Retain This Owner's Manual And Proof Of Purchase For Future Reference

To help us help you
~~Fill in the information below:~~

Date of Purchase

Place of Purchase

Model Number

Product Serial No.

MODEL NUMBER AND PRODUCT SERIAL NUMBER CAN BE FOUND ON
THE RATING LABEL OF YOUR GRILL.

TABLE OF CONTENTS

Safety Information 2

Package Contents 4

Illustrated Parts List 6

Hardware Contents 7

Assembly Instructions 8

Operation Instructions 17

Care and Maintenance 21

Troubleshooting 26

Replacements Parts List 29

Warranty 31



SAFETY INFORMATION

Please read and understand this entire manual before attempting to assemble, operate or install the product. If you have any questions regarding the product, please call customer service at 1-877-447-4768, 8:30 a.m. – 4:30 pm CST, Monday – Friday

1. DO NOT store or use gasoline or any other flammable vapors and liquids within 25 feet (8 m) of this or any other appliance.
2. An LP Cylinder not connected for use should be stored a minimum of 10 feet (3 m) away from this or any other appliance.
3. This grill is for use with propane gas only (propane gas cylinder not included).
4. Never attempt to attach this grill to the self-contained propane system of a boat, camper trailer, motor home or house.
5. Never use charcoal or lighter fluid with the grill.
6. Do not use gasoline, kerosene or alcohol for lighting. The LP gas supply cylinder used with this appliance must be:
 - (a) Constructed and marked in accordance with the Specifications for LP-Gas Cylinders of the U.S. Department of Transportation (D.O.T.) or the National Standard of Canada, CAN/CSA-B339, Cylinders, Spheres and Tubes for Transportation of Dangerous Goods; and Commission, as applicable; and
 - (b) Provided with a listed overfilling prevention device.
 - (c) Provided with a cylinder connection device compatible with the connector for outdoor cooking appliances. This grill is not intended to be used in or installed on recreational vehicles and/or boats.
7. Do not attempt to move the grill while it is lit or when it is hot. The casters should be locked when not moving the grill.
8. Do not use the grill unless it is completely assembled and all parts are securely fastened and tightened.
9. Keep all combustible items and surfaces at least 36 inches (91.44 cm) away from the grill at all times.
10. Do not use in an explosive atmosphere. Keep grill area clear and free from combustible materials, gasoline and other flammable vapors and liquids.
11. Do not touch metal parts of grill until it has completely cooled (about 45 minutes) to avoid burns, unless you are wearing protective gear (pot holders, gloves, BBQ mittens, etc...).
12. Do not alter this grill in any manner.
13. Clean and inspect the hose before each use. If there is evidence of abrasion, wear, cuts, or leaks, the hose must be replaced prior to operating the appliance. The replacement hose assembly will be that which is specified by GHP Group, listed in the repair parts list in this manual.
14. Move gas hoses as far away as possible from hot surfaces and dripping hot grease.
15. Never keep a filled container in a hot car or car trunk. Heat will cause the gas pressure to increase, which may open the relief valve and allow gas to escape.
16. Keep the grill's valve compartment, burners and circulating air passages clean. Inspect the grill before each use. Do not obstruct the flow of gas or ventilation air.
17. The use of alcohol, prescription or non-prescription drugs may impair the operator's ability to properly assemble or safely operate the grill.
18. Always open grill lid slowly and carefully as heat and steam trapped within the grill can burn you severely.
19. **Do not leave a lit grill unattended. Keep children and pets away from the grill at all times.**
20. Do not place this grill on any type of tabletop surface. The grill should be placed on a flat and level surface.
21. Do not use the grill in high winds.
22. Do not modify this grill for use with other indoor or outdoor fixtures, such as countertops or drop-in grill islands.
23. Do not use this grill indoors.



SAFETY INFORMATION

! WARNING

Do not place the grill under overhead combustible construction or awnings. Minimum clearance from sides and back of unit to combustible construction, 36 inches (914.4mm) from sides and back.



NOTE: The installation must conform with local codes or, in the absence of local codes, with either the National Fuel Gas Code, ANSI Z223.1/NFPA 54, Natural Gas and Propane Installation Code, CSA B149.1, or Propane Storage and Handling Code, B149.2.

CALIFORNIA PROPOSITION 65

Fuels used in gas or oil fired appliances and the products of combustion of such fuels, contain chemicals known to the State of California to cause cancer, birth defects or other reproductive harm. This product contains chemicals, including lead and lead compounds, known to the state of California to cause cancer, birth defects or other reproductive harm. ***Wash hands after handling.***

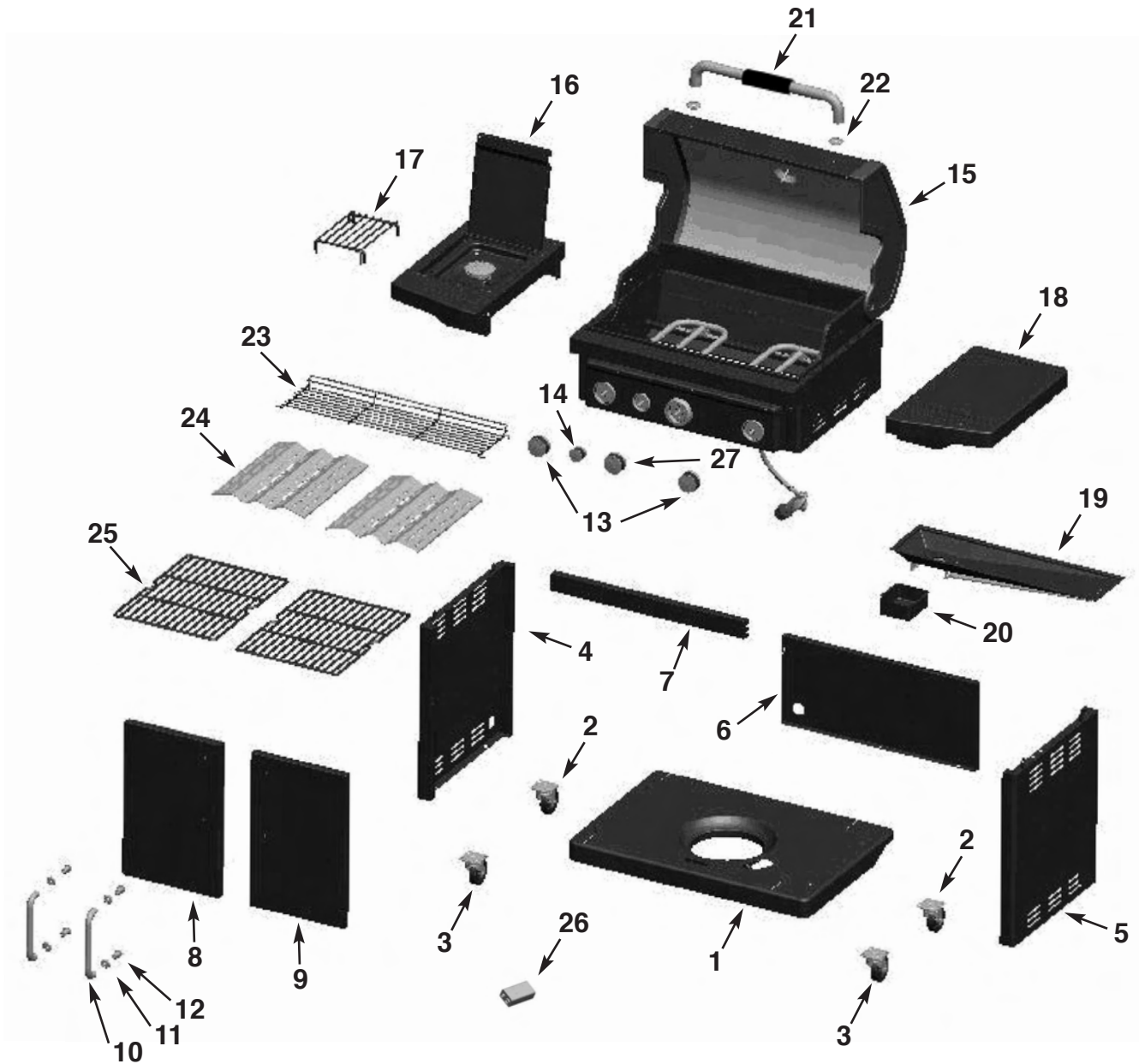
PACKAGE CONTENTS

BEFORE STARTING ASSEMBLY, UNPACK CARTON AND VERIFY CONTENTS. COMPARE ENCLOSED PARTS WITH PACKAGE CONTENTS LIST AND DIAGRAM. IF ANY PART IS MISSING OR DAMAGED, DO NOT ATTEMPT TO ASSEMBLE THE PRODUCT. CONTACT CUSTOMER SERVICE FOR REPLACEMENT PARTS.

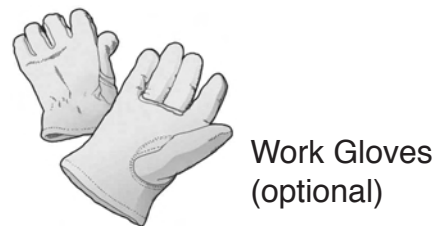
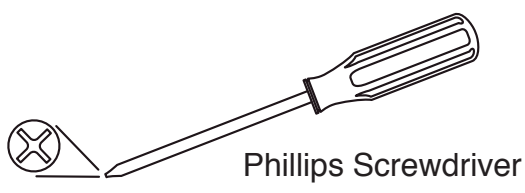
1-877-447-4768 8:30 a.m. – 4:30 pm CST, Monday – Friday.

Part No.	Description	Qty	Part No.	Description	Qty
1	bottom shelf	1	15	grill body	1
2	locking caster	2	16	left shelf assembly	1
3	caster	2	17	side burner cooking grate	1
4	cart left side panel	1	18	right shelf assembly	1
5	cart right side panel	1	19	grease pan	1
6	cart rear panel	1	20	grease cup	1
7	upper front door brace	1	21	lid handle	1
8	left door assembly	1	22	lid handle bezel	2
9	right door assembly	1	23	warming rack	1
10	cabinet door handle	2	24	heat tent	2
11	cabinet door handle bezel	4	25	cooking grate	2
12	cabinet door handle sleeve	4	26	battery (9V)	1
13	lg. left & right main burner control knob - black ring	2	27	lg. middle main burner control knob - red ring	1
14	side burner control knob - sm	1			

PACKAGE CONTENTS





















Tools Required for Unpacking, Assembly and Leak Testing of This Product:


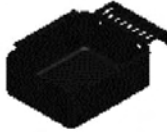


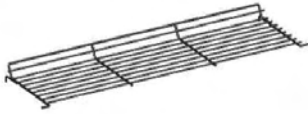






Estimated Assembly Time: 30-45 minutes









ILLUSTRATED PARTS LIST

<p>bottom shelf</p> <p>1</p> 	<p>locking caster</p> <p>2</p> 	<p>caster</p> <p>3</p> 
<p>cart left side panel</p> <p>4</p> 	<p>cart right side panel</p> <p>5</p> 	<p>cart rear panel</p> <p>6</p> 
<p>upper front door brace</p> <p>7</p> 	<p>left door assembly</p> <p>8</p> 	<p>right door assembly</p> <p>9</p> 
<p>cabinet door handle</p> <p>10</p> 	<p>cabinet door handle bezel</p> <p>11</p> 	<p>cabinet door handle sleeve</p> <p>12</p> 
<p>main burner control knob (Large) (black ring)</p> <p>13</p> 	<p>side burner control knob (Small)</p> <p>14</p> 	<p>grill body</p> <p>15</p> 
<p>left side burner assembly</p> <p>16</p> 	<p>side burner cooking grate</p> <p>17</p> 	<p>right shelf assembly</p> <p>18</p> 

ILLUSTRATED PARTS LIST

grease pan  19	grease cup  20	lid handle  21
lid handle bezel  22	warming rack  23	heat tent  24
cooking grate  25	battery(9V)  26	middle main burner control knob (red ring)  27

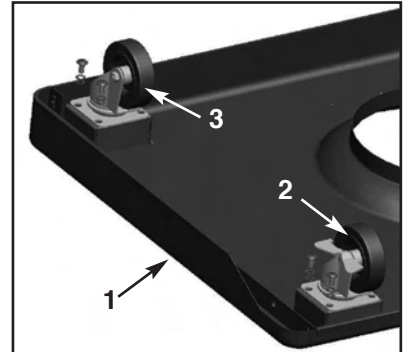
HARDWARE CONTENTS

Part	Description	Qty	Fig
A	M6x12 Screw	29	
B	6mm Flat Washer	16	
C	6mm Spring Washer	16	
D	M4x10 Screw	10	
E	M6x20 Round Head Screw	4	
F	M6x16 Screw	10	
G	M5x10 Screw (Pre-assembled in cabinet door handles)	4	
H	M6x25 Screw (Pre-assembled in lid handle)	2	

ASSEMBLY INSTRUCTIONS

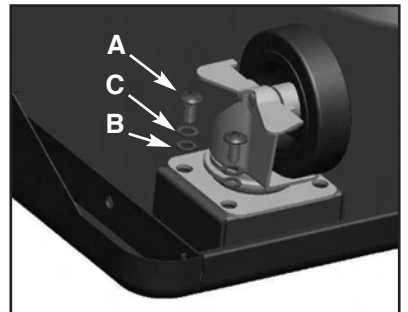
Step 1: Assemble the locking casters (2) and casters (3).

Secure the locking casters (2) with four screws each (A), four spring washers each (C) and four flat washers each (B) to the bottom shelf (1), then tighten all the screws. As shown, the flat washer (B) is placed under the spring washer (C). Install the casters (3) to the front side (not beveled) of bottom shelf (1) using four screws (A), four spring washers (C), and four flat washers (B), then tighten all screws.



Hardware Used

A	M6x12 Screw	Qty: 16 pcs
B	6mm Flat Washer	Qty: 16 pcs
C	6mm Spring Washer	Qty: 16 pcs



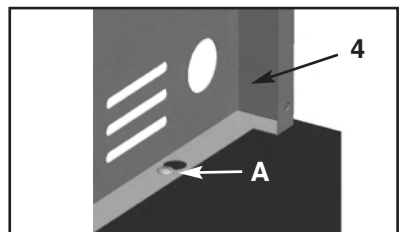
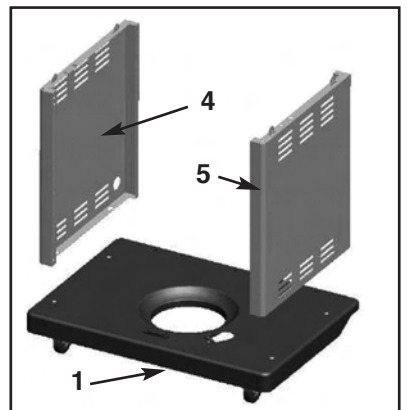
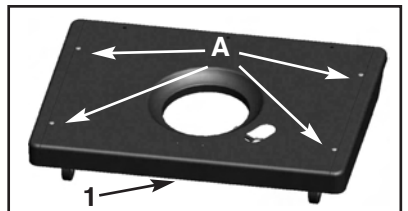
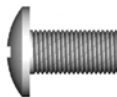
Step 2: Assemble the cart side panels (4 & 5).

Assemble four screws (A) on the bottom shelf (1), making sure there is a 4-6mm clearance from the screw head surface to the bottom shelf (1). Using the larger portion of the screw hole, place the cart left side panel (4) over the screws then slide the panel to the smaller opening of the screw hole. Secure the panels by tightening the screws, but do not fully tighten the screws until after Step 3.

Attach the cart right side panel (5) to the bottom shelf (1) in the same way.

Hardware Used

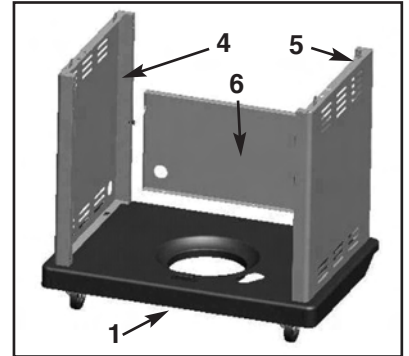
A	M6x12 Screw	Qty: 4 pcs
---	-------------	------------



ASSEMBLY INSTRUCTIONS

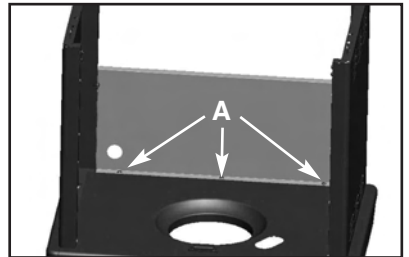
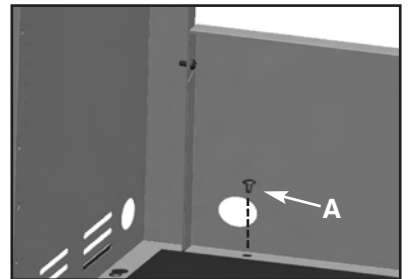
Step 3: Attach the cart rear panel (6).

Insert screws (A) into the cart left side panel (4) and the cart right side panel (5). Do not fully tighten screws (keep approximately 4 to 6mm slack). Align the key holes in the cart rear panel (6) with the two screws just installed into the cart left and right side panels. Push cart rear panel (6) over screws, then slide down to meet bottom shelf (1). Secure the cart rear panel (6) to the bottom shelf (1) with 3 screws (A). Tighten the 2 screws on the cart left and right side panels (4 & 5).



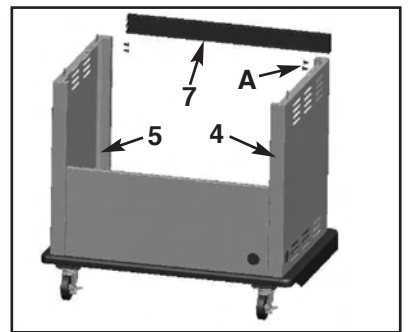
Hardware Used

A M6x12 Screw Qty: 5 pcs



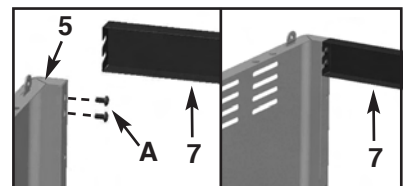
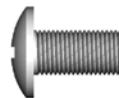
Step 4: Install the upper front door brace (7).

Install two screws (A) into the cart left and right side panels (4 & 5) as illustrated. Do not fully tighten screws (keep approximately 4 to 6mm slack). Align the key hole slots in the upper front door brace (7) with the 4 screws just installed into the cart left and right side panels (4 & 5). Slide the upper front door brace (7) in and down until snug. Tighten the 4 screws (A).



Hardware Used

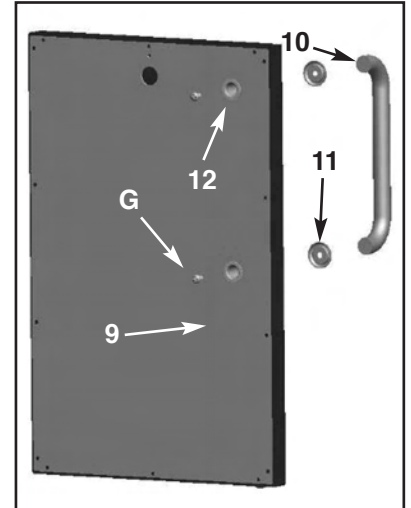
A M6x12 Screw Qty: 4 pcs







ASSEMBLY INSTRUCTIONS

Step 5: Attach the cabinet door handles (10) to the doors.

Remove the cabinet door handle screws (G) and bezels (11) from cabinet door assemblies. Using 2 of the cabinet door handle sleeves (12), slip each sleeve into the predrilled holes in back of right door assembly (9). Align a cabinet door handle (10) and bezel (11) on the front of the right door assembly (9) and tighten with 2 screws (G) inserted from the back through the sleeves. Repeat for left cabinet door assembly (8).

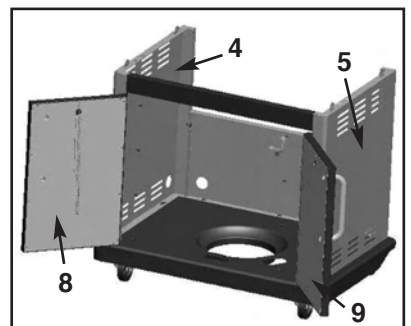
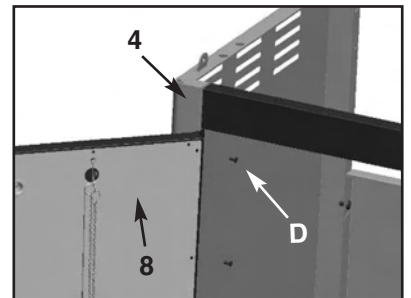


Hardware/Parts Used

G	M5x10 Screw	Qty: 4 pcs	
12	Handle Sleeve	Qty: 4 pcs	
11	Handle Bezel	Qty: 4 pcs	
10	Door Handle	Qty: 2 pcs	

Step 6: Attach the doors.

Align the holes in the hinge of the left door assembly (8) and the cart left side panel (4), insert 4 screws (D), and tighten. Attach the right door assembly (9) in the same way. If interference occurs between the cart left and right doors (8 and 9) when closing the doors, loosen the 2 screws (A) that secure the cart left/right side panels (4 and 5) and bottom shelf (1) and adjust the distance between the left and right door assemblies (8 and 9), until they clear. Tighten all the screws in the cart.



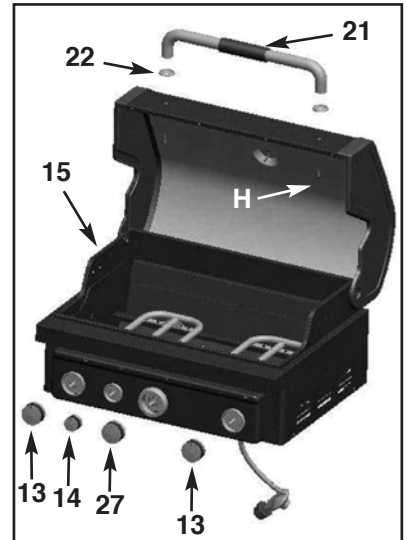
Hardware Used

D	M4x10 Screw	Qty: 8 pcs	
----------	-------------	------------	---

ASSEMBLY INSTRUCTIONS

Step 7: Attach the control knobs (13, 14, and 27) and lid handle (21).

Attach the control knobs (13, 14, and 27) to the control panel of the body (15). Remove the screws (H) and bezels (22) from the lid handle assembly (21). Align the lid handle bezels (22) and lid handle (21) with the predrilled holes in the top of the lid. Attach handle with the 2 screws (H).



Hardware/Parts Used

H	M6x25 Screw	Qty: 2 pcs
22	Handle Bezel	Qty: 2 pcs
21	Lid Handle	Qty: 1 pc
13	Large Knob/Black Ring	Qty: 2 pcs
14	Small Knob	Qty: 1 pc
27	Large Knob/Red Ring	Qty: 1 pc



Step 8: Attach the grill body (15) to the cart.

Lock the back two casters to ensure the cart doesn't move while installing the grill body (15).

Carefully place the grill body (15) onto the cart. Make sure the LPG hose is inside the cart. Align the holes in the grill body with the holes in the cart. Secure the grill body (15) in place with 4 screws (E).



Hardware Used

E	M6x20 Screw	Qty: 4 pcs
----------	-------------	------------



ASSEMBLY INSTRUCTIONS

Step 9A: Attach the left side burner assembly (16).

Insert two screws (F) to the grill body (15) as shown in Fig. A. Do not fully tighten screws (keep approximately 5 mm from surface). Align the key holes in the left side burner assembly (16) with the two screws just installed in the grill body (15). Secure the 3 screws (F) pre-assembled to the left side burner support, then tighten the remaining 2 screws (F).

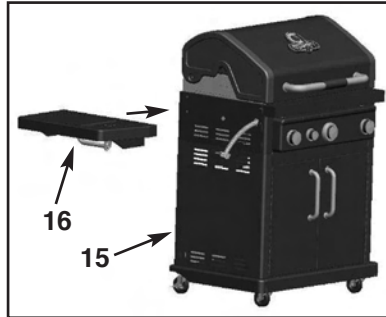
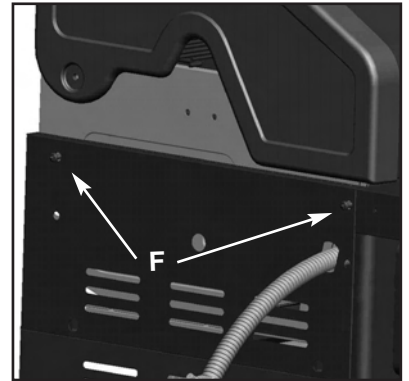


Fig. A



Align the orifice with the side burner tubing center (see Fig. B and Fig. C below), and insert the orifice into the side burner tubing. Use 2 screws (D) to secure the side burner orifice and side burner orifice support to the side burner support. Install the ignition wiring to the electrode. Align the key holes on the burner tray with the shelf cooking grate (17) and set in place.

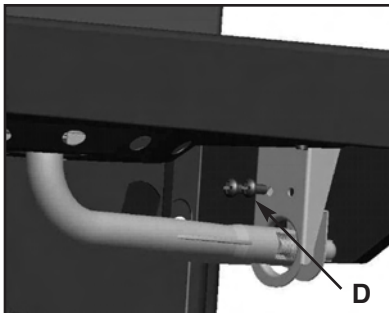
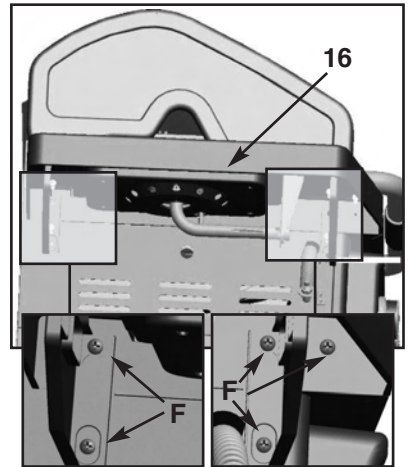


Fig. B

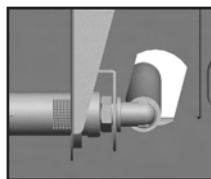
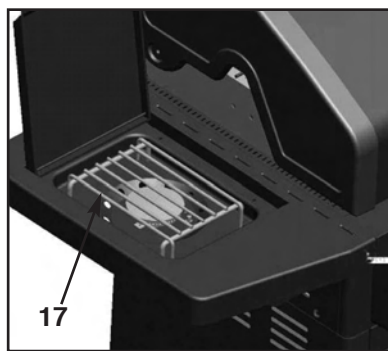
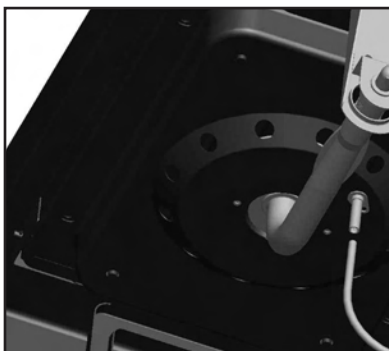
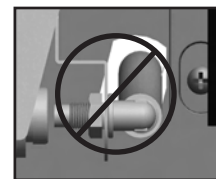




Fig. C



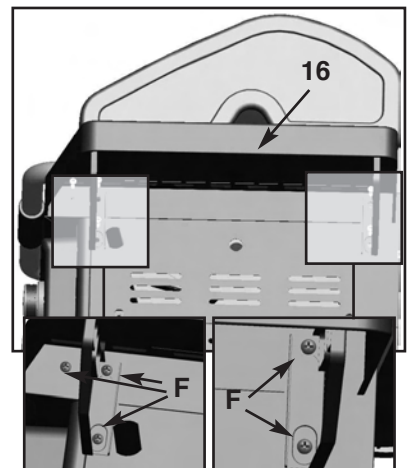
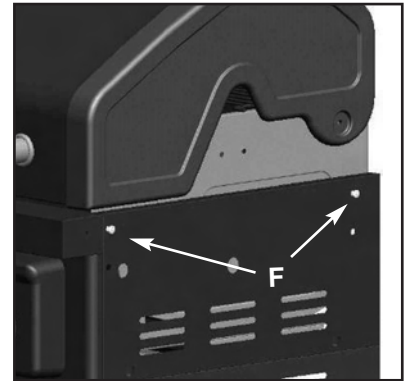
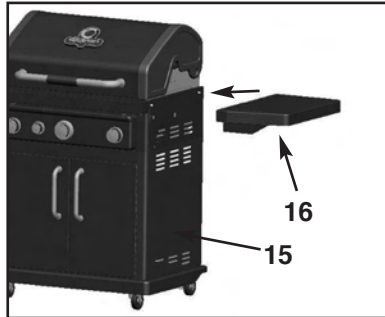
Hardware Used

F	M6x16 Screw	Qty: 5 pcs	
D	M4x10 Screw	Qty: 2 pcs	

ASSEMBLY INSTRUCTIONS

Step 9B: Attach right shelf assembly (18).

Install 2 screws (F) to the grill body (15). Do not fully tighten screws (keep approximately 5 mm from surface). Align the key holes in the right shelf assembly (18) with the 2 screws just installed. Secure the screws (F) pre-assembled to the right shelf assembly (18), then tighten remaining 2 screws.



Hardware Used

F M6x16 Screw Qty: 5 pcs



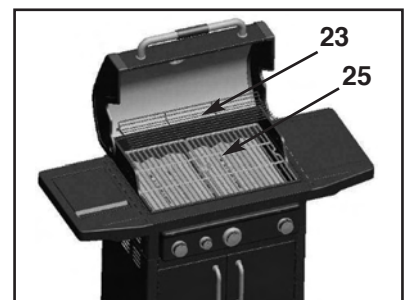
Step 10: Install the heat tent (24).

Open the lid and place the two heat tents (24) on the brackets directly above the burners on the inside of the grill body (15).



Step 11: Install the cooking grate (25) and warming rack(23).

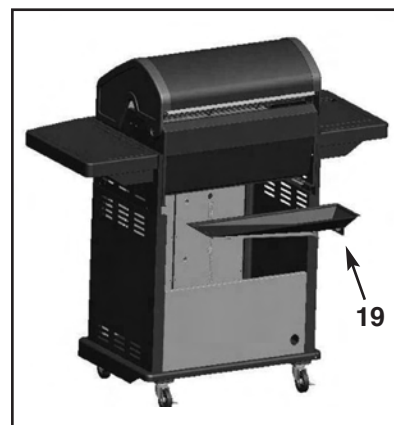
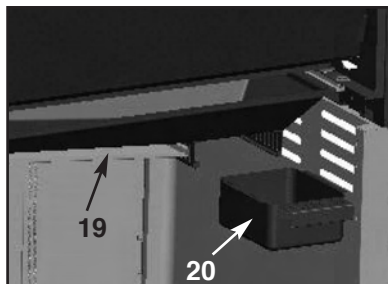
Place two cooking grates (25) on the grill body brace and grill rear panel. Set the warming rack (23) in place as illustrated.



ASSEMBLY INSTRUCTIONS

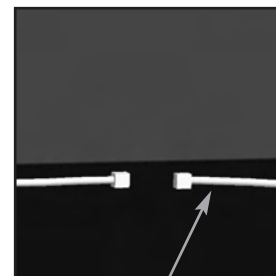
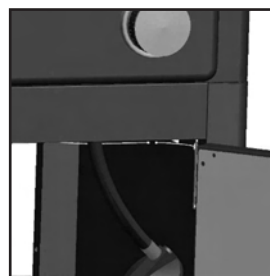
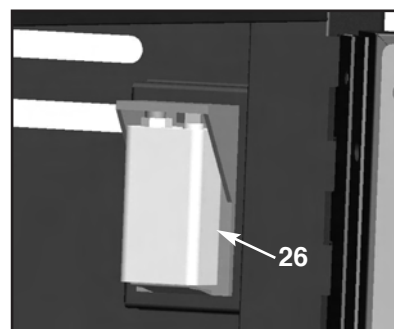
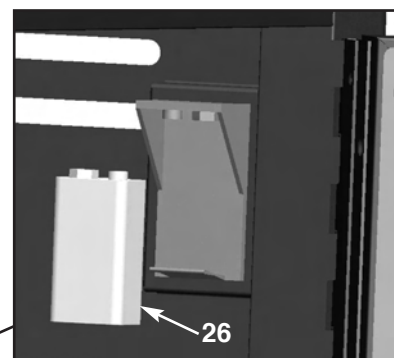
Step 12: Install the grease pan (19) and grease cup (20).

Put the grease pan (19) and grease cup (20) in position as illustrated.



Step 13: Install 9V battery (26).

Place the 9V battery (26) into position in the battery box as shown, then connect the battery box wiring and control knob backlight wiring.

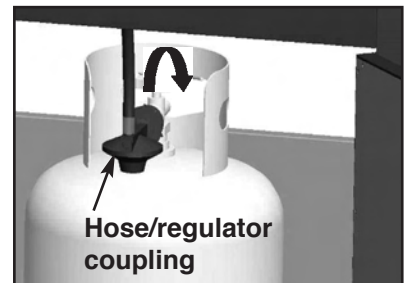


battery box and control knob wiring

ASSEMBLY INSTRUCTIONS

Step 14: Install LP gas cylinder (sold separately).

Open the cart doors and insert the LP gas cylinder (sold separately) into the nesting hole located in the bottom shelf. Align the hand screw coupling of the hose/regulator with the threaded valve of the cylinder by turning the LP gas cylinder until positioned correctly. Hand tighten the hose/regulator coupling to the threaded valve of the LP gas cylinder. Tighten the tank screw until the cylinder is secure inside the nesting hole of the cart.



CHECKING FOR LEAKS

After all connections are made, check all connections and fittings on the LP gas tank valve, gas hose and regulator for leaks with a water and soap solution.

To prevent fire or explosion while testing for a leak:

- Always perform leak test prior to lighting the grill.
- Do not smoke while testing for a leak.
- Always perform leak tests outdoors in a well ventilated area.
- Do not use any source of flame while testing for leaks.
- Do not use the grill until any and all leaks are corrected.
- If you are unable to correct a leak, disconnect the propane supply and call a gas appliance service dealer.

PERFORM LEAK TEST

- Prepare leak test solution by combining 1 part liquid dish soap with 3 parts water. Total solution required is approximately 2-3 oz. (70-90ml.). Put leak test solution in a spray bottle.
- Ensure all control knobs are in the 'OFF' position.
- Open LP gas tank valve.
- Spray leak test solution on all gas carrying connections and fittings. Presence of bubbles at areas of applied test solution indicates a gas leak. If leaks are detected or you smell or hear gas, shut off the LP gas tank immediately and repair or replace the defective part. Do not use the grill until all leaks are corrected.

ASSEMBLY INSTRUCTIONS

Fully Assembled Grill



Front View



Rear View

OPERATION INSTRUCTIONS

⚠ CAUTION

Only use the regulator and hose assembly provided! If a replacement is necessary, please call our customer service center. Do not use replacement parts that are not intended for this grill.

Connecting Gas Cylinder:

CONNECTING GAS CYLINDER

The propane gas supply cylinder to be used must be constructed and marked in accordance with the Specifications for LP Gas Cylinders of the U.S. Department of Transportation (D.O.T.) or the National Standard of Canada, CAN/CSA-B339, Cylinders, Spheres and Tubes for Transportation of Dangerous Goods; and Commission, as applicable; and Provided with a listed overfilling prevention device.

Use only 20-pound cylinders (Height 18.11 in., Diameter Tank 9.84 in., Diameter foot: 8.03 in.) equipped with a cylinder connection device compatible with the connection for outdoor cooking appliances. The cylinder must include a collar to protect the cylinder valve. The gas cylinder should not be dropped or handled roughly!

If the appliance is not in use, the gas cylinder must be disconnected. Storage of an appliance indoors is permissible **ONLY** if the cylinder is disconnected and removed from the appliance. Cylinders must be stored outdoors out of the reach of children and must not be stored in a building, garage or any other enclosed area. Your cylinder must never be stored where temperatures can reach over 125°F.

Place dust cap on cylinder valve outlet whenever the cylinder is not in use. Only install the type of dust cap on the cylinder valve outlet that is provided with the cylinder valve. Other types of caps or plugs may result in leakage of propane.

Before connection, be sure that there is no debris caught in the outlet of the gas cylinder, outlet of the regulator valve or in the outlet of the burner and burner ports. Connect regulator valve and hand-tighten firmly. Keep the propane cylinder valve closed and disconnect the propane cylinder from the regulator valve when the grill is not in use.

DO NOT obstruct the flow of combustion air and ventilation air to the grill. The propane cylinder must be arranged for vapor withdrawal and equipped with a listed overfilling prevention device. Please use the proper cylinder orientation to provide vapor withdrawal. **NOTE:** The cylinder must be fully upright for the cylinder to have vapor withdrawal only.



Correct



Wrong



Wrong

OPERATION INSTRUCTIONS

⚠ CAUTION

- Do not store a spare LP-gas cylinder under or near this appliance.
- Never fill the cylinder beyond 80 percent full.
- If the information in (a) and (b) is not followed exactly, a fire causing death or serious injury may occur.

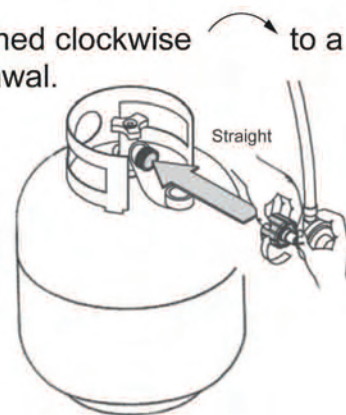
NOTE: Other cylinders may be acceptable for use with this appliance provided they are compatible with the appliance nesting hole and retention means. Refer to Step 14 of the Assembly Instructions for correct cylinder to cylinder holder connection.

⚠ WARNING

ALL INSTRUCTIONS AND SAFEGUARDS ON THIS PAGE MUST BE FOLLOWED TO PREVENT FIRE, DAMAGE AND/OR INJURY.

CONNECTING THE LP TANK

- The knob on the LP tank must be closed. Make sure that the knob is turned clockwise to a full stop. The cylinder supply system must be arranged for vapor withdrawal.
- Check that the control knob on the control unit is turned off.
- Remove the protective cap from the LP tank valve and coupling nut.
- Hold the regulator in one hand and insert the nipple into the valve outlet. Be sure the nipple is centered in the valve outlet. The coupling nut connects to the large outside threads on the valve outlet. Use care – do not cross thread the connection.
- Hand-tighten the coupling nut clockwise until it comes to a full stop. Firmly tighten by hand only. Do not use tools.



To Disconnect: Fully close the tank valve by turning clockwise. Turn the coupling nut counterclockwise until the regulator assembly detaches.

⚠ WARNING

In the connection process, make sure:

- the regulator inlet connector mates with the cylinder valve outlet properly, safely and firmly, and;
- the LP-Gas hose does not come in contact or remain in contact with the firebox.

OPERATION INSTRUCTIONS

Lighting The Grill

Before first use

Remove all hangings or plastic straps, if present.

Before you cook on your new gas grill, it is important to clean your grill with heat. To do this, operate the grill for approximately 15 minutes with the lid closed and all main burner control knobs in the highest position. This will clean the internal parts by burning off any residue and odor from the manufacturing process. NOTE: Burn off is NOT necessary for side burner.

⚠ CAUTION: If the flame extinguishes accidentally during ignition or operation, immediately **TURN OFF** the cylinder valve and then **TURN OFF** the control knobs.

FOR OUTDOOR USE ONLY

LIGHTING INSTRUCTIONS - FOR ALL BURNERS INCLUDING SIDE BURNER

⚠ Warning: Do not lean over grill when lighting.

Read instructions before lighting.

1. Check that the control knobs are in the off position. ●
2. Open valve at tank fully by turning counterclockwise. ↶
3. Open lid during lighting.
4. Depress and turn control knob counterclockwise ↶ from off position, past the ⚡ ignite position, to the 🔥 high position. You may need to repeat several times to ignite the burner.

If ignition does not occur in 5 seconds, turn the control(s) off, ● wait 5 minutes, and repeat the lighting procedure.

If the burner still does not light, check that there is gas in the cylinder and follow the match lighting instructions in the manual. Check the Troubleshooting Guide on page 26 for more information.

SHUTDOWN INSTRUCTIONS

1. Turn control knobs clockwise ↷ to the off position. ●
2. Close valve at tank fully by turning clockwise. ↷
3. Close lid.

Turn off LP supply at cylinder when appliance is not in use.

OPERATION INSTRUCTIONS

LIGHTING THE GRILL WITH A MATCH

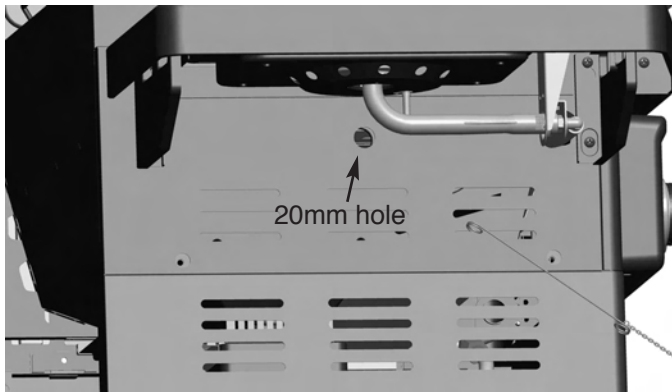
⚠ Warning: Do not lean over grill when lighting. Read instructions before lighting.

Main Burners:

1. Insert a match in the end of the match holder that is installed on the inside of the cabinet door.
2. Light the match.
3. Immediately place the lit match through the 20mm hole on the side of the grill body, nearest the left burner. Make sure the lit match is close to the burner ports.
4. Press in the control knob that operates the left main burner and rotate counterclockwise ↶ to 🔥 High position and burner should light immediately. The other main control knobs can now be turned to the High position and will light via the crossover ports.
5. Adjust burners to desired cooking settings.

Side Burner:

1. Insert a match in the end of the match holder that is installed on the inside of the cabinet door.
2. Light the match.
3. Immediately place the lit match near the ignition wire located next to the burner.
4. Press in the control knob that operates the side burner and rotate counterclockwise ↶ to 🔥 High position and burner should light immediately.
5. Adjust burner to desired cooking setting.



Main burner lighting



Side burner lighting

SHUTDOWN INSTRUCTIONS


1. Turn control knobs clockwise ↷ to the off position. ●
2. Close valve at tank fully by turning clockwise. ↷
3. Close lid.

Turn off LP supply at cylinder when appliance is not in use.

CARE AND MAINTENANCE

Cooking Grates

The best time to 'burn-off' the cooking grates is after every use (approx. 15 minutes). The grill is already hot from cooking thus requiring less fuel to obtain necessary temperature for 'burn-off'.

To "Burn Off" or heat clean your grill, turn the burners to highest position  and run for 15 minutes with the lid closed. Then turn off the burners and use a wire brush to clean excess food residue from the grates. NOTE: "Burn Off" is NOT necessary for side burner.

The porcelain grates have an enamel finish (similar to glass) and should be handled with care not to chip.

Other Parts

⚠ CAUTION: Ensure the grill is cool before cleaning and conducting maintenance and with the gas supply turned off at the LP-Gas cylinder.

The electronic ignition requires one "9V" alkaline battery, which is included.

⚠ WARNING

DO NOT mix old and new batteries.

DO NOT mix alkaline, standard (Carbon-Zinc), or rechargeable (Nickel-Cadmium) batteries.

DO NOT dispose of batteries in fire. Improper disposal may cause batteries to leak or explode.

Recommended Cleaning Supplies

Mild liquid dish soap, warm water, nylon cleaning pad, wire brush

DO NOT use cleaners that contain acid, mineral spirits or any abrasive substance.

Outside Surfaces

It is recommended to use only mild dish soap and hot water to clean grill and grill parts.

Rinse with warm water.

Inside Bottom Pan of Grill Body

To avoid flare-ups, the bottom pan of the cooking box should be kept clean on a regular basis.

Remove residue using a brush, scraper and/or cleaning pad. Wash with mild dish soap and warm water. Rinse with warm water. Avoid water splashing into vent tubes of burners.

Heat Tents

Clean residue with wire brush and wash with mild dish soap and warm water. Rinse with warm water.

Grease Cup

Empty the grease cup and clean with mild dish soap and warm water on a regular basis.

CARE AND MAINTENANCE

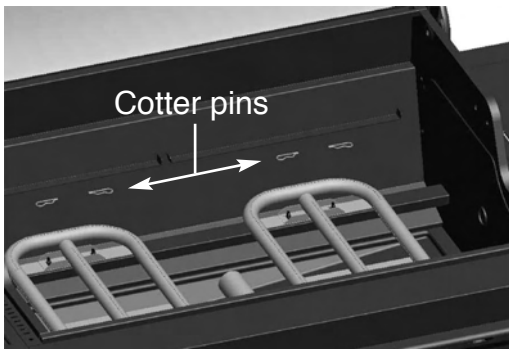
Burner Assembly

Removing The Burner Assembly

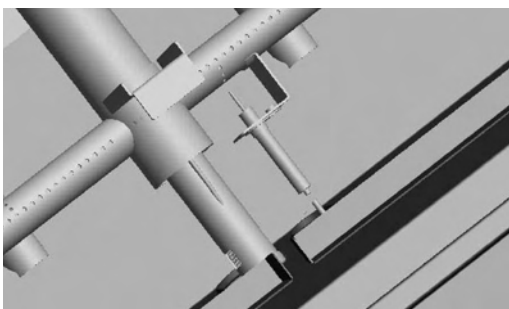
1. Make sure all control knobs are in the OFF position, LP tank valve is closed, and the tank is disconnected from regulator and removed from grill.

2. Open lid and remove warming rack, cooking grates, and heater tents.

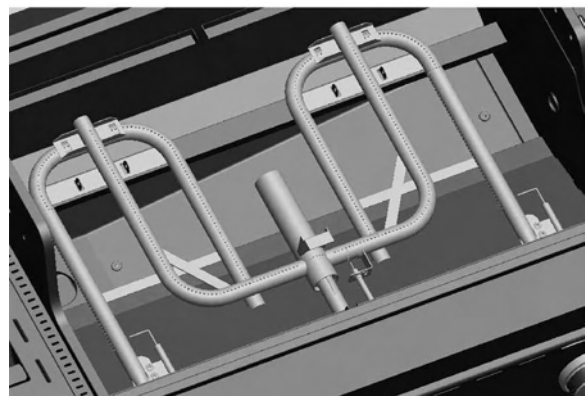
3. Remove the 4 cotter pins holding main burners in place.



4. Disconnect center burner electrode as shown.



5. Slide center burner out of firebox as shown.

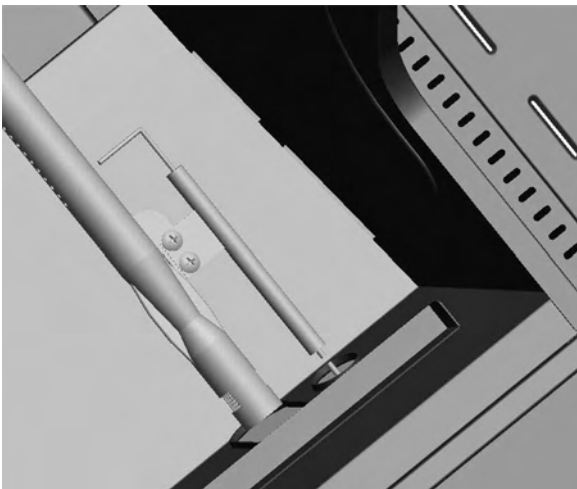


CARE AND MAINTENANCE

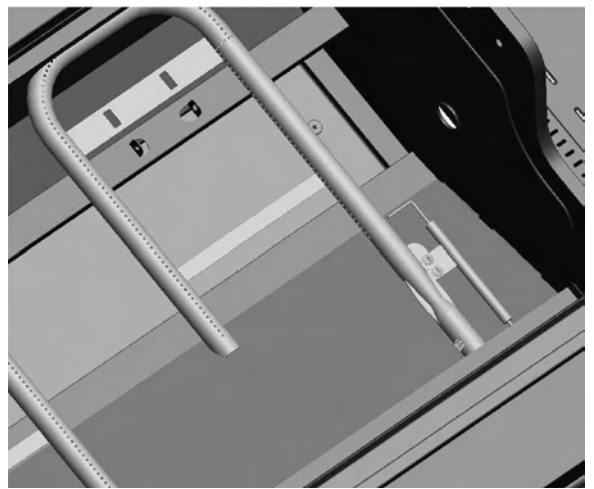
Burner Assembly

Removing The Burner Assembly (Continued)

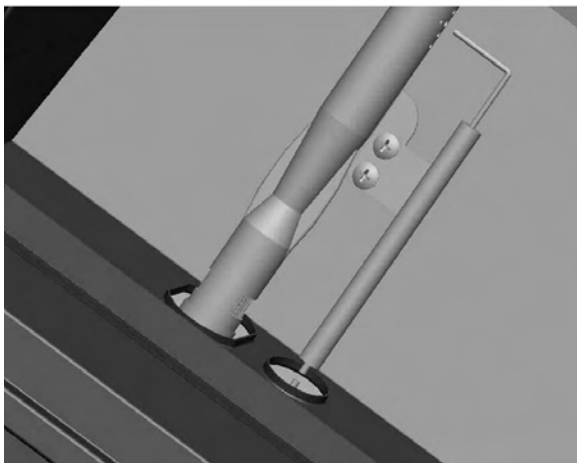
6. Disconnect right burner electrode as shown.



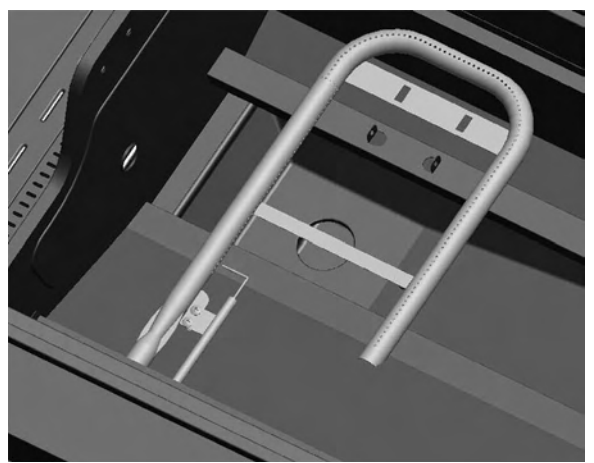
7. Slide right main burner out of firebox as shown.



8. Disconnect left burner electrode as shown.



9. Slide left main burner out of firebox as shown.



CARE AND MAINTENANCE

Burner Assembly

Cleaning the Burner Assembly – Make sure the grill is cool

1. Turn gas off at the control knobs and propane tank.
2. Disconnect LP-Gas cylinder from hose and regulator.
3. Remove warming rack, cooking grates, and heat tents.
4. Detach burner by removing the cotter pins at the back of the burners to detach them from the brackets.
5. Detach ignition wire from electrode by hand only. DO NOT use pliers or any other tool as it may damage the electrode or wire.
6. Lift burner slowly.
7. Ensure all burner ports are clear of clogs. Use of a pin or paper clip works well.
8. Ensure burner is free from any damage. If damage is found, replace with new burner.
9. Ensure the end of the burner and primary air screen are clear of insect nests, dirt, or debris.

Re-installing the Burner

Ensure that gas valve orifices are correctly positioned inside burner inlet (venturi).

The use of a flashlight may be necessary to ensure the correct position.

It is recommended to view the correct position through the firebox vent holes as illustrated below.

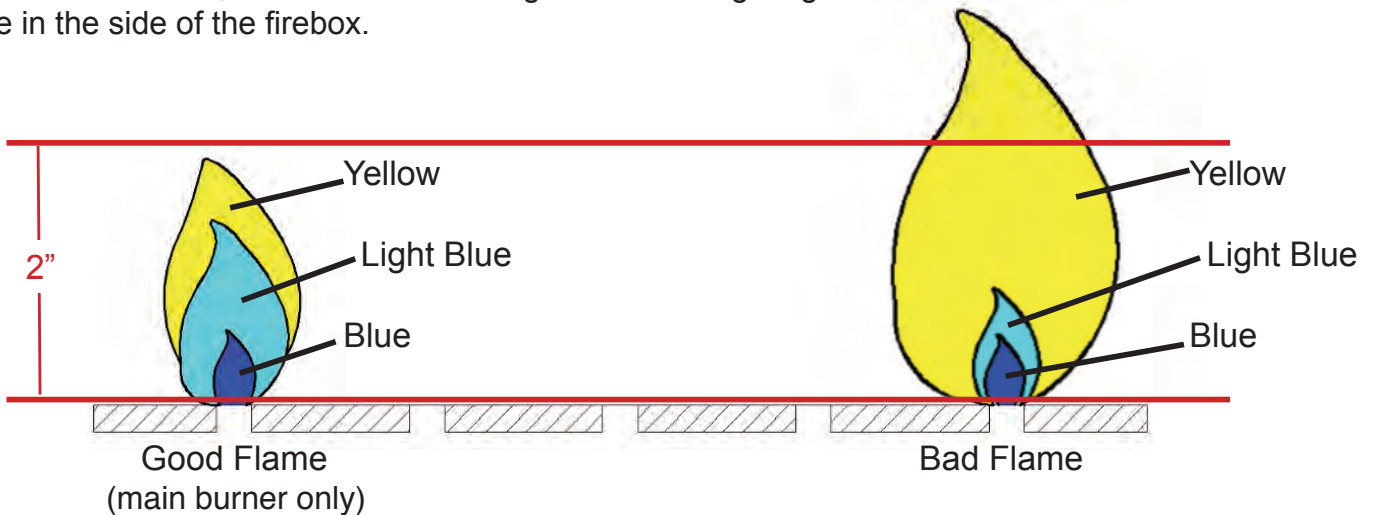


⚠ WARNING: If the instructions above are not followed, a fire or explosion may result, possibly causing serious bodily injury or death.

CARE AND MAINTENANCE

Checking The Flame (main burner only)

For maximum fuel efficiency and cooking performance, flame should be a blue-yellow color and be between 1- 2 inches high. To check the flame, view the flame through the match lighting hole in the side of the firebox.



Other Care and Maintenance

It is recommended that inspection and service on this appliance be conducted annually by a qualified service person.


It is recommended that you regularly check that the outdoor cooking appliance area is clear and free from combustible material, gasoline and other flammable vapors and liquids.

It is recommended that you regularly check that the flow of combustion and ventilation air is not obstructed.

It is recommended that you regularly check that the ventilation openings of the cylinder enclosure (cabinet) are free and clear from debris.

It is recommended that you regularly check and clean the burner/venturi tubes for insects and insect nests. A clogged tube can lead to a fire beneath the grill.

TROUBLESHOOTING

Problem	Possible Causes	Possible Solutions
<p>No gas flow or an obstructed gas flow.</p>	<ul style="list-style-type: none"> • Tank valve not on or fully opened. • Empty tank. • Poor connection between valve regulator and LP cylinder coupling. • Burner inlet blocked. 	<ul style="list-style-type: none"> • Fully open tank valve by turning counterclockwise  . • Check fuel level and replace fuel if necessary. • Turn off grill knobs, close the LP cylinder valve at top of cylinder and check the connection between the regulator valve and cylinder coupling. Disconnect and reconnect, if necessary. • Clean the burner inlet (venturi) and burner as described by the Care and Maintenance section in the Manual.
<p>The burner will not light using the ignitor procedure (weak or no spark being generated).</p>	<ul style="list-style-type: none"> • The ignition electrode may be covered with grease or residue. • The ignition electrode may have a loose or disconnected wire. • Cracked or broken ignition electrode. • Dead battery or faulty battery connection. 	<ul style="list-style-type: none"> • Turn control knobs to the off position and clean the ignition electrode with rubbing alcohol and cotton swab. • Check the connection and reconnect any loose or disconnected wires. • Replace ignition electrode (see Replacement Parts List). • Perform any of the following: <ol style="list-style-type: none"> a. Replace battery b. Check to see if battery is inserted correctly. c. Check for any corrosion around battery terminals. d. Check wire connections as stated above.

TROUBLESHOOTING

Problem	Possible Causes	Possible Solutions
<p>The burner will not light with a match.</p>	<ul style="list-style-type: none"> • Match not reaching burners (when holding match with hand). • Empty tank. • Poor connection between valve regulator and LP cylinder coupling. • Burner inlet blocked. 	<ul style="list-style-type: none"> • Use match holder found in cabinet door. • Check fuel level and refill tank if necessary. • Turn off grill knobs, close the LP cylinder valve at top of cylinder and check the connection between the regulator valve and cylinder coupling. Disconnect and reconnect, if necessary. • Clean the burner inlet (venturi) and burner as described by the Care and Maintenance section in the Manual.
<p>Low Heat.</p>	<ul style="list-style-type: none"> • The LP-Gas regulator is equipped with an excess flow device that allows sufficient gas to the burners under normal circumstances. Rapid changes in pressure can trigger this device and prevent all but minimal flow of gas to the burner, causing a low flame and low heat output. This is typically caused by the LP-Gas cylinder valve being turned open when one or more burner valves (control knobs) is in the open position causing a surge of pressure that activates the excess flow device. 	<ul style="list-style-type: none"> • Follow these steps: <ol style="list-style-type: none"> 1. Close the LP-Gas cylinder valve on the top of the cylinder. 2. Make sure the burner valves are in the “OFF” position. 3. Slowly open the LP-Gas cylinder valve and wait 10 seconds. 4. Follow the lighting instructions.

TROUBLESHOOTING

Problem	Possible Causes	Possible Solutions
<p>Excessive flare-ups.</p>	<ul style="list-style-type: none"> • Grease and/or residue build-up on heat tents or in firebox. • Excessive dripping of fat or marinade from food. • Cooking temperature too high. 	<ul style="list-style-type: none"> • Clean the grill components. • Trim the fat from meat and use non-oil based marinades. • Lower temperature accordingly.
<p>Backlit bezel not working.</p>	<ul style="list-style-type: none"> • A loose or disconnected wire. • Dead battery or faulty battery connection. 	<ul style="list-style-type: none"> • Check the connection and reconnect any loose or disconnected wires. • Perform any of the following: <ol style="list-style-type: none"> a. Replace battery b. Check to see if battery is inserted correctly. c. Check for any corrosion around battery terminals. d. Check wire connections as stated above.

REPLACEMENT PARTS LIST

For replacement parts, call our customer service department at 1-877-447-4768,
8:30 a.m. – 4:30 p.m., CST, Monday – Friday

DYNA-GLO LP GAS GRILL - MODEL #DGP480CSP/DGP480CSP-D			
Line #	Part #	Instr. Manual Ref. #	Description
1	103-01001	15	Grill Body assembly - whole
2	103-02001	n/a	Grill Lid Assembly - DOES NOT INCLUDE - temp gauge/lid handle/lid handle bezels
3	103-02002	n/a	Lid Bumper
4	103-02003	21	Lid Handle - Includes screws to attach
5	101-02004	22	Lid Handle Bezel (pack of 1)
6	103-02005	n/a	Temperature Gage and nut
7	101-02007	n/a	Lid Pivot Pins - with cotter pins
8	103-03001	n/a	Firebox Assembly - INCLUDES burners/valve & manifold assembly/hose & reg/control panel/control panel bezels/ignition wire and electrode. DOES NOT INCLUDE lid assembly/cook grates/warming rack/heat tents
9	103-03002	n/a	Firebox Assembly - INCLUDES control panel. DOES NOT INCLUDE lid assembly/cook grates/warming rack/heat tents/burners/valve & manifold assembly/hose & reg/control panel bezels/control knobs/ignition wire and electrode
10	103-03003	n/a	Burner - Left - Includes 2 cotter pins to secure
11	103-03004	n/a	Burner - Right - Includes 2 cotter pins to secure
12	103-03005	n/a	Burner - Integrated Searing - Includes 2 cotter pins to secure
13	103-03006	24	Heat Tent (pack of 1)
14	103-03007	n/a	Control Panel
15	103-03008	n/a	Gas Manifold With Valves - LP
16	103-03009	n/a	Hose and Regulator - LP
17	102-03009	13	Control Knob - large (pack of 1) - for Left or Right burner valves (with black rubber ring)
18	103-03010	27	Control Knob - large (pack of 1) - for Integrated Searing burner valve (with red rubber ring)
19	103-03011	14	Control Knob - small (pack of 1) - for Side burner valve
20	102-03010	n/a	Control Knob bezel - large (pack of 1) - for Left and Right burner valves
21	103-03012	n/a	Control Knob BACK-LIT bezel ASSEMBLY A - (pack of 1) - for Integrated Searing burner valve - INCLUDES Chrome outer casing/bezel backing (blue)/LED light-circuit board/backing ring (black)
22	103-03013	n/a	Control Knob BACK-LIT bezel kit ASSEMBLY B - for Integrated Searing burner valve - INCLUDES battery housing and wiring harness and screws to attach
23	103-03014	n/a	Control Knob bezel - small (pack of 1) - for Side burner valve
24	103-03015	25	Cooking Grate (pack of 1)
25	103-03016	23	Warming Rack
26	103-03017		Ignition wire - A - left or right main burners
27	103-03018		Ignition wire - B - for integrated Searing Booster burner
28	103-03019		Ignition wire - side burner
29	103-03020		Ignition electrode - Left or Right burner ignition
30	103-03021		Ignition electrode - Integrated Searing burner

REPLACEMENT PARTS LIST

DYNA-GLO LP GAS GRILL - MODEL #DGP480CSP/DGP480CSP-D - Continued			
Line #	Part #	Instr. Manual Ref. #	Description
31	103-03022		Ignition electrode - Side burner
32	103-04001	18	Side Table assembly - Right
33	103-04002	16	Side Table - Left - with Side Burner ASSEMBLY complete - INCLUDES side table/side burner cover/side burner cover hinge pins/side burner w/ venturi tube/side burner grate
34	103-04003	n/a	Side table only - Left - DOES NOT INCLUDE side burner cover/side burner cover hinge pins/side burner with venturi tube/side burner grate
35	103-04004	n/a	Side burner cover (includes hinge pins)
36	103-04005	n/a	Side burner with Venturi tube - INCLUDES screws to attach
37	103-04006	17	Side burner grate
38	103-04007	1	Cart Bottom Shelf
39	103-04008	6	Cart Rear Panel
40	103-04009	7	Cart Front Upper Door Brace
41	102-04009	4	Cart Side Panel - Left
42	103-04010	5	Cart Side Panel - Right
43	102-04012	n/a	LP Cylinder Retention Screw
44	103-04013	19	Grease Pan
45	102-04014	20	Grease Cup
46	103-04015	8	Cart Front Door Assembly - Left - NO handle
47	103-04016	9	Cart Front Door Assembly - Right - NO handle
48	101-04020	n/a	Cart Front Door latching magnet assembly - includes screws/nuts to attach
49	102-04016	10	Cart Door Handle - Includes screws to attach
50	102-04020	11	Cart Door Handle Bezel (pack of 1)
51	102-04021	12	Cart Door Handle Sleeve (pack of 1)
52	103-04017	2	Caster - Locking - Includes 4 screws/flat washers/spring washers
53	103-04018	3	Caster - Regular - Includes 4 screws/flat washers/spring washers
54	101-04019	n/a	Match Holder - With chain and screw to attach
55	103-05001	n/a	Hardware Pack
56	101-01021-01	n/a	M6x12 screw - round head
57	101-01021-04	n/a	M6x25 screw - round head
58	101-01021-06	n/a	6mm Spring washer
59	101-01021-07	n/a	6mm Flat washer
60	103-05001-01	n/a	M4x10 screw - round head
61	103-05001-02	n/a	M6x20 screw - round head
62	103-05001-03	n/a	M6x16 screw - round head
63	103-05002	n/a	M5x10 screw - round head
64	103-05003	26	9V Battery
65	103-06001	n/a	Master carton, box
66	101-040020	n/a	Owner's Assembly Manual

LIMITED WARRANTY

Item Name: LP Gas Grill
Model #: DGP480CSP/DGP480CSP-D
Rated BTU: 57,000 BTU/Hr
Product Dimension Assembled: L 52.7" x W 23" x H 46.5"
or 1338mm x 585mm x 1180mm
Product Weight: 110.23 lb. or 50 kg.

This LP Gas Grill is warranted against broken or damaged parts at the time of purchase. All parts carry a one (1) year limited warranty. Paint is warranted to be free of defects for 90 days except for rust, which may appear after repeated use.

This warranty does not cover damage or issues related to neglect, abuse or modifications to the appliance. Repair labor is not covered.

All parts that meet the warranty requirements will be shipped at no charge via the discretion of GHP Group Inc. (ground shipments, US Mail or Parcel Post ONLY). Any special handling charges (i.e. Second Day, Over night, etc.) will be the responsibility of the consumer.

All warranty claims apply only to the original purchaser and require a proof of purchase verifying purchase date. Do not return parts to the GHP Group Inc. address without first obtaining a return authorization number from our customer service department. This service is available by calling toll free: 1-877-447-4768, 8:30 am to 4:30 pm CST, Monday through Friday.

Some states do not allow the exclusion or limitation of incidental or consequential damages or limitations on how long an implied warranty lasts, so the above limitations or exclusions may not apply to you. This warranty gives you specific legal rights, and you may have other rights that vary from state to state.

GHP Group Inc.
8280 Austin Avenue
Morton Grove, IL. USA 60053-3207
Toll Free: 1-877-447-4768