

This Owner's Manual is provided and hosted by [Appliance Factory Parts](#).



GE PTDS855EM0MS Owner's Manual

[Shop genuine replacement parts for GE
PTDS855EM0MS](#)



[Find Your GE Dryer Parts - Select From 3387 Models](#)

----- Manual continues below -----



Profile Dryers

Safety Instructions 2-5

Operating Instructions

Controls 6-8
Cycle Options 9-10
Dryer Features 11
Loading and Using
the Dryer 12, 13

Installation Instructions

Before You Begin 14-16
Connecting a Gas Dryer 17-20
Connecting an
Electric Dryer 21-23
Exhausting the Dryer 24-30
Final Setup 31
Reversing the Door Swing 32-33

Troubleshooting Tips 34

Consumer Support

Warranty (U.S.) 36
Warranty (Canada) 37
Consumer Support 38

**Owner's Manual
and Installation
Instructions**

**Write the model and serial
numbers here:**

Model # _____

Serial # _____

They are on the label on the front
of the dryer behind the door.

3828EL2001D

IMPORTANT SAFETY INFORMATION.

READ ALL INSTRUCTIONS BEFORE USING.

▲ WARNING!

For your safety, the information in this manual must be followed to minimize the risk of fire or explosion, electric shock, or to prevent property damage, personal injury, or death.

- *Do not store or use gasoline or other flammable vapors and liquids in the vicinity of this or any other appliance.*
- *Installation and service must be performed by a qualified installer, service agency or the gas supplier.*

WHAT TO DO IF YOU SMELL GAS:

- 1 *Do not try to light a match, or cigarette, or turn on any gas or electrical appliance.*
- 2 *Do not touch any electrical switch; do not use any phone in your building.*
- 3 *Clear the room, building or area of all occupants.*
- 4 *Immediately call your gas supplier from a neighbor's phone. Follow the gas supplier's instructions carefully.*
- 5 *If you cannot reach your gas supplier, call the fire department.*

California Safe Drinking Water and Toxic Enforcement Act

This act requires the governor of California to publish a list of substances known to the state to cause cancer, birth defects or other reproductive harm and requires businesses to warn customers of potential exposure to such substances.

Gas appliances can cause minor exposure to four of these substances, namely benzene, carbon monoxide, formaldehyde and soot, caused primarily by the incomplete combustion of natural gas or LP fuels.

Properly adjusted dryers will minimize incomplete combustion. Exposure to these substances can be minimized further by properly venting the dryer to the outdoors.



PROPER INSTALLATION

*This dryer must be properly installed and located in accordance with the Installation Instructions before it is used. If you did not receive an Installation Instructions sheet, you can receive one by visiting GEAppliances.com, or by calling **800.GE.CARES** (800.432.2737).*

- Properly ground dryer to conform with all governing codes and ordinances. Follow details in Installation Instructions.
- Install or store where it will not be exposed to temperatures below freezing or exposed to the weather.
- Connect to a properly rated, protected and sized power supply circuit to avoid electrical overload.
- Remove the colored protective film from both the control panel and the door.
- Remove all sharp packing items and dispose of all shipping materials properly.
- Do not remove the vent protector from the back of the dryer (on some models).
- Pull the protector out and down to its lowest position and connect the exhaust duct to the dryer. The lowered protector will prevent the duct from getting crushed (on some models).
- Keep area around the exhaust opening and adjacent surrounding areas free from the accumulation of lint, dust, and dirt.

Exhaust/Ducting:

- 1 Dryers **MUST** be exhausted to the outside to prevent large amounts of moisture and lint from being blown into the room.
- 2 Use only rigid metal 4" diameter ductwork inside the dryer cabinet and use only UL approved transition ducting between the dryer and the home duct. **USE OF PLASTIC OR OTHER COMBUSTIBLE DUCTWORK CAN CAUSE A FIRE. PUNCTURED DUCTWORK CAN CAUSE A FIRE IF IT COLLAPSES OR BECOMES OTHERWISE RESTRICTED IN USE OR DURING INSTALLATION.**

For complete details, follow the Installation Instructions.

IMPORTANT SAFETY INFORMATION. READ ALL INSTRUCTIONS BEFORE USING.

⚠ WARNING!



YOUR LAUNDRY AREA

- Keep the area underneath and around your appliances free of combustible materials (lint, paper, rags, etc.), gasoline, chemicals and other flammable vapors and liquids.
- Keep the floor around your appliances clean and dry to reduce the possibility of slipping.
- Close supervision is necessary if this appliance is used by or near children. Do not allow children to play on, with or inside this or any other appliance.
- Keep all laundry aids (such as detergents, bleaches, etc.) out of the reach of children, preferably in a locked cabinet. Observe all warnings on container labels to avoid injury.
- Never climb on or stand on the dryer top.



WHEN USING YOUR DRYER

- Never reach into the dryer while the drum is moving. Before loading, unloading or adding clothes, wait until the drum has completely stopped.
- Clean the lint filter before each load to prevent lint accumulation inside the dryer or in the room. **DO NOT OPERATE THE DRYER WITHOUT THE LINT FILTER IN PLACE.**
- Do not wash or dry articles that have been cleaned in, washed in, soaked in or spotted with combustible or explosive substances (such as wax, oil, paint, gasoline, degreasers, dry-cleaning solvents, kerosene, etc.) which may ignite or explode. Do not add these substances to the wash water. Do not use or place these substances around your washer or dryer during operation.
- Do not place items exposed to cooking oils in your dryer. Items contaminated with cooking oils may contribute to a chemical reaction that could cause a clothes load to catch fire.
- Any article on which you have used a cleaning solvent or that contains flammable materials (such as cleaning cloths, mops, towels used in beauty salons, restaurants or barber shops, etc.) must not be placed in or near the dryer until solvents or flammable materials have been removed. There are many highly flammable items used in homes such as acetone, denatured alcohol, gasoline, kerosene, some household cleaners, some spot removers, turpentine, waxes, wax removers and products containing petroleum distillates.
- The laundry process can reduce the flame retardancy of fabrics. To avoid such a result, carefully follow the garment manufacturer's care instructions.
- Do not dry articles containing rubber, plastic, foam or similar materials such as padded bras, tennis shoes, galoshes, bath mats, rugs, bibs, baby pants, plastic bags, pillows, etc., that may melt or burn. Some rubber materials, when heated, can under certain circumstances produce fire by spontaneous combustion.
- Do not store plastic, paper or clothing that may burn or melt on top of the dryer during operation.
- Garments labeled *Dry Away from Heat* or *Do Not Tumble Dry* (such as life jackets containing kapok) must not be put in your dryer.
- Do not dry fiberglass articles in your dryer. Skin irritation could result from the remaining particles that may be picked up by clothing during subsequent dryer uses.
- To minimize the possibility of electric shock, unplug this appliance from the power supply or disconnect the dryer at the building's distribution panel by removing the fuse or switching off the circuit breaker before attempting any maintenance or cleaning (except the removal and cleaning of the lint filter). **NOTE:** Pressing **START**, **PAUSE** or **POWER** does **NOT** disconnect the appliance from the power supply.

⚠ **WARNING!**



WHEN USING YOUR DRYER (cont.)

- Never attempt to operate this appliance if it is damaged, malfunctioning, partially disassembled, or has missing or broken parts, including a damaged cord or plug.
- The interior of the machine and the exhaust duct connection inside the dryer should be cleaned at least once a year by a qualified technician. See the *Loading and Using the Dryer* section.
- If yours is a gas dryer, it is equipped with an automatic electric ignition and does not have a pilot light. **DO NOT ATTEMPT TO LIGHT WITH A MATCH.** Burns may result from having your hand in the vicinity of the burner when the automatic ignition turns on.
- Do not open the dryer door during steam cycles. The steam is very hot and it will continue to exhaust from the part for several seconds after opening. Do not touch the steam part after a steam cycle.
- Do not use steam cycle with items such as wool, leather, silk, lingerie, foam products or electric blankets.
- Do not use heat to dry articles containing foam rubber or similarly textured rubber-like materials.
- Do not place items exposed to cooking oils in your dryer. Items contaminated with cooking oils may contribute to a chemical reaction that could cause a load to catch fire.
- You may wish to soften your laundered fabrics or reduce the static electricity in them by using a dryer-applied fabric softener or an anti-static fabric conditioner. We recommend you use either a fabric softener in the wash cycle, according to the manufacturer's instructions for those products, or try a dryer-added product for which the manufacturer gives written assurance on the package that their product can be safely used in your dryer. Service or performance problems caused by use of these products are the responsibility of the manufacturers of those products and are not covered under the warranty to this appliance.



WHEN NOT USING YOUR DRYER

- Grasp the plug firmly when disconnecting this appliance to avoid damage to the cord while pulling. Place the cord away from traffic areas so it will not be stepped on, tripped over or subjected to damage.
- Do not attempt to repair or replace any part of this appliance or attempt any servicing unless specifically recommended in this Owner's Manual or in published user-repair instructions that you understand and have the skills to carry out.
- Before discarding a dryer, or removing it from service, remove the dryer door to prevent children from hiding inside.
- Do not tamper with controls.



READ AND FOLLOW THIS SAFETY INFORMATION CAREFULLY.

SAVE THESE INSTRUCTIONS

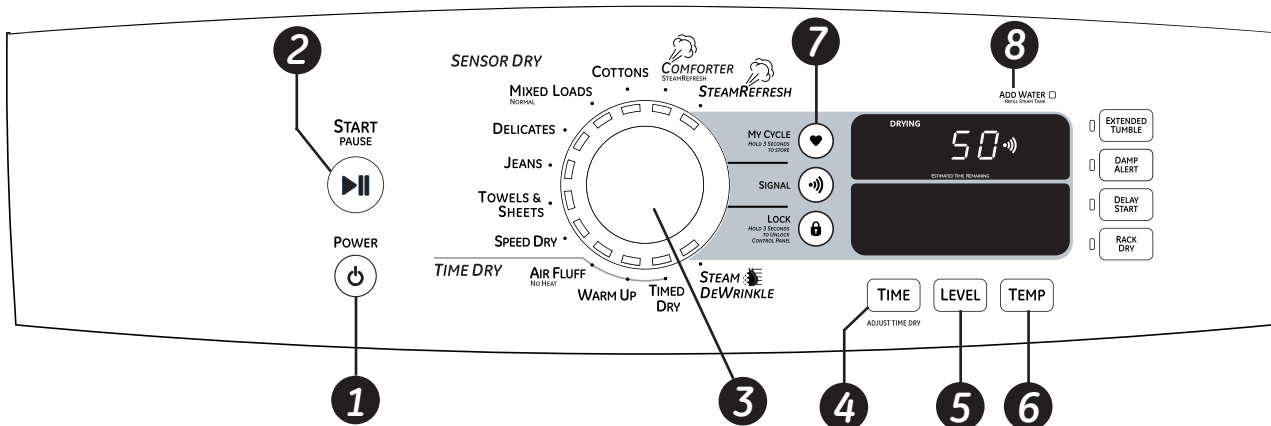
About the dryer control panel.

⚠ WARNING! To reduce the risk of fire, electric shock, or injury to persons, read the **IMPORTANT SAFETY INSTRUCTIONS** before operating this appliance.

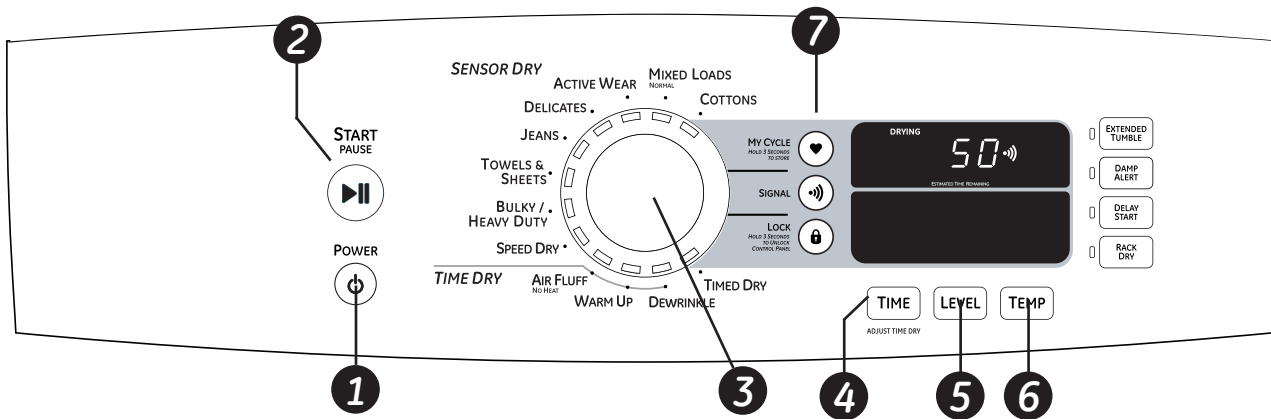
Control Panel

Throughout this manual, features and appearance may vary from your model.

***Applied Model : PTDS850/PTDS855**



***Applied Model : PTDN800/PTDN805**



1 Power
Press to “wake up” the display. If the display is active, press to put the dryer in the idle mode.

NOTE: Pressing **POWER** does not disconnect the appliance from the power supply.

2 START
Press to start a dry cycle. If the dryer is running, press it once and it will pause the dryer. Press it again to restart the dryer cycle.

3 Cycles
The cycle controls the length and tumble speed of the drying process. The chart below will help you match the dry setting with the loads.

Note: Steam and Time Dry cycles do not sense the dryness level of the clothing. Adjust the Time and Heat in order to achieve the desired level of dryness left in your clothing at the end of a cycle.

Steam Cycles

STEAM REFRESH	For slightly wrinkled dry garments. Refreshes garments by reducing odor and de-wrinkling 1-5 garments. It brings new life to clothes that have been stored for extended period.
COMFORTOR STEAM REFRESH	Use to refresh comfortors and sheets with a steam cycle to reduce odor. Do not use this cycle with delicate fabrics.

STEAM DEWRINKLE For 1-5 wrinkled garments. Significantly reduces wrinkles on garments. Ideal for loads left in the dryer for an extended time.

Sensor Cycles

COTTONS	For cottons and most linens.
MIXED LOAD	For loads consisting of cottons and poly-blends.
DELICATES	For lingerie and special-care fabrics.
JEANS	For use with jeans, to change the desired level of dampness remaining in jeans at the end of the cycle, press dryness LEVEL button.
TOWELS & SHEETS	For towels and sheets.
SPEED DRY	For small loads that are needed in a hurry, such as sports or school uniforms. Can also be used if the previous cycle left some items damp, such as collars or waistbands.
ACTIVE WEAR	For clothing worn for active sports exercise and some casual wear. Fabrics include new technology finishes and stretch fibers such as spandex.
BULKY/HEAVY DUTY	For Bulky or Heavy duty items such as sheets, bed linens or throw rugs.

Time Dry Cycles

AIR FLUFF	Use this feature to tumble items without heat.
WARM UP	Uses 10 minutes of warming time to warm up clothes.
TIMED DRY	Set the desired heating time and temperature manually.
DEWRINKLE	a short cycle to flup up items that need to loosen up wrinkles.

My Cycle

MY CYCLE	Press to use, create or modify custom dry cycles.
-----------------	---

About the dryer control panel (cont.).

4 Time Dry

Use to set your own dry time. **TIME DRY** is also recommended for small loads.

To use **TIME DRY**:

1. Turn dry cycle dial to **TIME DRY**.
2. Select the drying time by pressing the TIME button. You can increase the time in 10 minute increments up to 1 hr and 40 min. Each time you press the Time button, observe the segment display at the top of the control increase by 10 minutes increments. The upper display shows the actual dry time. The lower display shows the dry time range. E.G. the lower display shows 50 – 60 the upper display will show :50, if you press the TIME button again the lower display remains at 50 – 60 and the upper display will change to :60 minutes. The dry time will be 60 minutes.
3. Select temperature by pressing the **TEMP** button.
4. Close the door.
5. Press the **START/PAUSE** button.

5 Dry Level

The sensor continuously monitors the amount of moisture in the load. When the moisture in your clothes reaches your selected dry level, the dryer will stop.

EXTRA DRY	Use for heavy fabrics.
MORE DRY	Use for heavy or mixed type of fabrics.
DRY	Use for normal dryness level suitable for most loads. This is the preferred cycle for energy saving.
LESS DRY	Use for lighter fabric (ideal for ironing).
DAMP	For leaving items partially damp.

6 TEMP

You can change the temperature of your dry cycle.

ANTI-BACTERIAL This option may only be used with mixed load, towels and sheets and jeans cycles. This option reduces certain types of bacteria by 99.9%. The anti-bacterial process occurs when high heat is used during a portion of this drying cycle. When the option is selected, dryness level is automatically changed to Very Dry.

Do not use this cycle with delicate fabrics.

*The Anti-Bacterial temperature setting is Certified by NSF International (formerly National Sanitation Foundation) to NSF Protocol P154 Sanitization Performance of Residential Clothes Dryers.



NSF Protocol P154
Sanitization Performance of
Residential Clothes Dryers

HIGH	For regular to heavy cottons.
MEDIUM	For synthetics, blends and items labeled permanent press.
LOW	For delicates, synthetics and items labeled <i>Tumble Dry Low</i> .
EXTRA LOW	For lingerie and special-care fabrics.

About cycle options.

NOTE: Not all features are available on all dryer models.


GEAppliances.com

7

My Cycle

Set up your favorite combination of settings and save them here for one touch recall. These custom settings can be set while a cycle is in progress.

To store a MY CYCLE combination of settings:

1. Select your drying cycle.
2. Change **TEMP** and **DRY LEVEL** settings to fit your needs.
3. Select any drying **OPTIONS** you want.
4. Press and hold the  pad for three seconds to store your selection. A beep will sound and the pad will light up.

To recall your stored MY CYCLE combination:

Press the **MY CYCLE** button before drying a load.

To change your stored MY CYCLE combination:

Follow steps 1–4 in “To store a MY CYCLE combination of settings”.

8

Add Water

When illuminated this indicates that your steam tank is low and it is time to add water to the tank. Please follow the instructions on page 11.

About cycle options.

NOTE: Not all features are available on all dryer models.



My Cycle

To save a favorite cycle, set the desired settings and hold down the **MY CYCLE** button for 3 seconds. A beep will sound to indicate the cycle has been saved.

To use your custom cycle, press the **MY CYCLE** button before drying a load.

To change the saved cycle, set the desired settings and hold down the **MY CYCLE** button for 3 seconds.

See page 8 for more details.

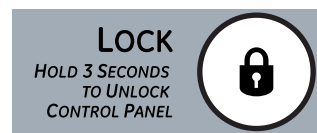


Signal

Alerts you that the cycle is complete. The clothes should be removed when the beeper goes off so wrinkles don't set in.

Press **SIGNAL** to select low or high volume, or to turn the beeper off.

The beeper will continue to sound every 2 minutes (maximum of 4 times).



Lock

You can lock the controls to prevent any selections from being made. Or you can lock the controls after you have started a cycle.

Children cannot accidentally start the dryer by touching pads with this option selected.

To lock the dryer, press the **LOCK** button. To unlock the dryer, press and hold the **LOCK** button for 3 seconds.

When the lock function is enabled, the red lock icon will appear in the upper display.

Even though the controls are locked, the **POWER** button is still active in case you have to turn the unit off.

About cycle options (cont). *NOTE: Not all features are available on all dryer models.*



Estimated Time Remaining

Displays the approximate time remaining until the end of the cycle.

As the cycle begins, you will see an initial approximate total cycle time in the display. Then lights will “race” in the display. This means the dryer is continuously monitoring

the amount of moisture in the load. The lights will continue until the dryer senses a low level of moisture in the load. At that point, the dryer will calculate and display the approximate time remaining.



Extended Tumble

Minimizes wrinkles by adding brief periods of tumbling after cycle ends. The dryer will tumble without heat for 10 seconds followed by no tumbling for 5 minutes and repeat for up to 3 hours after clothes are dry. The dryer is in **EXTENDED TUMBLE** when the **ESTIMATED CYCLE TIME** display is illuminated in a circular pattern.

The light beside the button will light up when **EXTENDED TUMBLE** is on.

NOTE: It is normal for the drum to pause for short periods of time during **EXTENDED TUMBLE**.



Damp Alert

This option causes the dryer to beep when clothes have dried to a damp level. Remove items that you wish to hang dry. The **DAMP ALERT** will only beep when this option is selected (dry cycle keeps running).

The light beside the button will light up when **DAMP ALERT** is on.

NOTE: Only for **LESS DRY**, **DRY**, **MORE DRY** and **EXTRA DRY** sensor dry selections.

Removing clothes and hanging them when they are damp can reduce the need to iron some items.



Delay Start

Use to delay the start of your dryer.

The light beside the button will light up when **DELAY START** is on.

1. Choose your dry cycle and any options.
2. Press the **DELAY START** button. You can change the delay time in 1-hour increments (up to 24 hours) each time you press the **DELAY START** button. Stop pressing the button when your desired time is displayed.
3. Press the **START/PAUSE** button to start the countdown.

NOTES:

■ If the door is opened while the dryer is in **DELAY**, the countdown time will continue to count down the delay time. If the door is not closed and the countdown time expires, the cycle will not start until the door is closed and the **START/PAUSE** button is pressed.

The countdown time will be shown in the **ESTIMATED TIME REMAINING** display.

■ You can delay the start of a dryer cycle up to 24 hours.



Rack Dry

Use the **RACK DRY** feature to dry shoes and hats.

The light beside the button will light up when **RACK DRY** is on.

1. Insert the drying rack (refer to page 11 for the correct placement).
2. Place garment in the center of the rack and close the door.
3. Press the **RACK DRY** button.
4. Set **TIME**. (refer to page 8 for instructions).
5. Press the **START PAUSE** button.

NOTES:

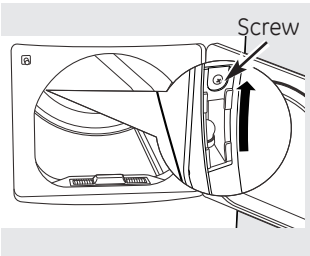
- Do **not** use the drying rack without selecting the **RACK DRY** cycle.
- Do **not** change the cycle setting off the timed dry cycle.
- When the **RACK DRY** feature is selected no other cycle setting can be chosen. An invalid tone will sound if the cycle knob is turned.



Duct Sensing

The duct blockage system automatically monitors, detects and alerts you to blockages in the ductwork. Blocked ductwork can degrade dryer performance by reducing airflow from the dryer. If you observe the display window with the message, "CLg" it is time to clean your exhaust ducting in order to increase

efficiency and reduce dry times.

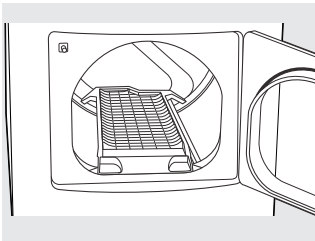


Changing the Drum Lamp

Before replacing the drum lamp, be sure to unplug the dryer power cord or disconnect the dryer at the household distribution panel by removing the fuse or switching off the circuit breaker.

The drum lamp is located at the top left of the door frame.

- 1 Remove the screw holding the drum lamp shield in place.
- 2 Slide the shield up and remove.
- 3 Remove the bulb and replace with a 15-watt, 120-volt candelabra-base bulb.
- 4 Replace the lamp shield and screw.



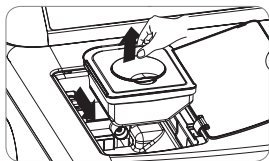
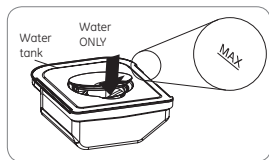
Using the Drying Rack

A handy drying rack may be used for drying delicate items such as washable sweaters.

Hook the rack over the lint filter so the rack extends into the dryer drum.

NOTE:

- The drying rack should only be used with the **TIME DRY** cycle. It is also strongly recommended when drying sneakers.
- Do not use this drying rack when there are other clothes in the dryer.



Using the Steam Cycles

Add Water

Before using a Steam Cycle, the water tank must be filled with water up to the MAX line. If not, the ADD WATER light will blink. Make sure that the water tank is filled with water and the cartridge is completely connected. Turn the dryer off and then restart the Steam Cycle.

NOTES

1. Turn the dryer off by pressing the POWER button.
2. Open the lid.
3. Move the lever to open.
4. Lift out the water tank and open the tank lid.
5. Fill the tank to the **MAX** water line with water.
6. Place the water tank back into the barrel and move the lever to close.
7. Close the lid, press the POWER button and select the cycles desired.

- Only use water. Do not fill the water tank with foreign substances, rinse agents, or detergents.
- Before moving the dryer, make sure the water tank is empty.
- Do not use distilled water; the water level sensor in the steam generator will not work.
- Be careful while filling the water tank to avoid overflow and spilling.
- Wipe up any spilled water around the water tank and the drawer before starting the dryer.

Loading and Using the Dryer.

Always follow fabric manufacturer's care label when laundering.

Sorting and Loading Hints

As a general rule, if clothes are sorted properly for the washer, they are sorted properly for the dryer. Try also to sort items according to size. For example, do not dry a sheet with socks or other small items.

Do not add fabric softener sheets once the load has become warm. They may cause fabric softener stains. Bounce® Fabric Conditioner Dryer Sheets have been approved for use in all GE Dryers when used in accordance with the manufacturer's instructions.














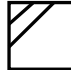
Do not overload. This wastes energy and causes wrinkling.

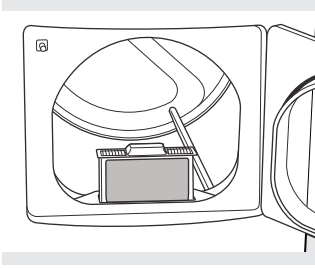
Do not dry the following items: fiberglass items, woolens, rubber-coated items, plastics, items with plastic trim and foam-filled items.

Fabric Care Labels

Below are fabric care label "symbols" that affect the clothing you will be laundering.

Dry Labels

Tumble dry						
	Dry	Normal	Permanent Press/ wrinkle resistant	Gentle/ delicate	Do not tumble dry	Do not dry (used with do not wash)
Heat setting						
	High	Medium	Low	No heat/air		
Special instructions						
	Line dry/ hang to dry	Drip dry	Dry flat	In the shade		



Care and Cleaning of the Dryer

Dryer Interior and Duct: The interior of the appliance and exhaust duct should be cleaned once a year by qualified service personnel.

The Exterior: Wipe or dust any spills or washing compounds with a damp cloth. Dryer control panel and finishes may be damaged by some laundry pretreatment soil and stain remover products. Apply these products away from the dryer. The fabric may then be washed and dried normally. Damage to your dryer caused by these products is not covered by your warranty.

Do not touch the surface or the display with sharp objects.

The Lint Filter: Clean the lint filter before each use. Remove by pulling straight up. Run your fingers across the filter. A waxy buildup may form on the lint filter from using dryer-added fabric softener sheets. To remove this buildup, wash the lint screen in warm, soapy water. Dry thoroughly and replace. Do not operate the dryer without the lint filter in place.

Vacuum the lint from the dryer lint filter area if you notice a change in dryer performance.

Stainless Steel: To clean stainless steel surfaces, use a damp cloth with a mild, nonabrasive cleaner suitable for stainless steel surfaces. Remove the cleaner residue, and then dry with a clean cloth.

The stainless steel used to make the dryer drum provides the highest reliability available in a GE dryer. If the dryer drum should be scratched or dented during normal use, the drum will not rust or corrode. These surface blemishes will not affect the function or durability of the drum.

The Exhaust Hood: Check with a mirror that the inside flaps of the hood move freely when operating. Make sure that there is no wildlife (birds, insects, etc.) nesting inside the duct or hood.

Installation Instructions

Dryer

PTDN800, PTDN805, PTDS850, and PTDS855

Questions? Call 800.GE.CARES (800.432.2737) or visit our Web site at: GEAppliances.com
In Canada, call 1.800.561.3344, or visit geappliances.ca

BEFORE YOU BEGIN

Read these instructions completely and carefully.

- **IMPORTANT** – Save these instructions for local electrical inspector's use.
- **IMPORTANT** – Observe all governing codes and ordinances.
- Install the clothes dryer according to the manufacturer's instructions and local codes.
- **Note to Installer** – Be sure to leave these instructions with the Consumer.
- **Note to Consumer** – Keep these instructions for future reference.
- Clothes dryer installation must be performed by a qualified installer.
- This dryer **must** be exhausted to the outdoors.
- Before the old dryer is removed from service or discarded, remove the dryer door.
- Service information and the wiring diagram are located in the control console.
- Do not allow children on or in the appliance. Close supervision of children is necessary when the appliance is used near children.
- Proper installation is the responsibility of the installer.
- Product failure due to improper installation is not covered under the Warranty.
- Install the dryer where the temperature is above 50°F for satisfactory operation of the dryer control system.
- Remove and discard existing plastic or metal foil duct and replace with UL-listed duct.

FOR YOUR SAFETY:

WARNING

- Use only rigid metal or flexible metal 4-inch diameter ductwork for exhausting to the outdoors. Never use plastic or other combustible easy-to-puncture ductwork.
- This appliance must be properly grounded and installed as described in these instructions.
- Do not install or store appliance in an area where it will be exposed to water and/or weather.
- The National Fuel Gas Code restricts installations of gas appliances in garages. They must be 18 inches off the ground and protected by a barrier from vehicles.
- Install the dryer where the temperature is above 50°F for satisfactory operation of the dryer control system.

FOR GAS MODELS ONLY:

NOTE: Installation and service of this dryer must be performed by a qualified installer, service agency or the gas supplier.

In the Commonwealth of Massachusetts:

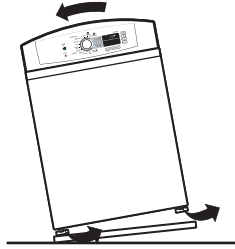
- This product must be installed by a licensed plumber or gas fitter.
- When using ball-type gas shut-off valves, they shall be T-handle-type.
- A flexible gas connector, when used, must not exceed 3 feet.

Installation Instructions

UNPACKING YOUR DRYER

Tilt the dryer sideways and remove the foam shipping pads by pulling at the sides and breaking them away from the dryer legs. Be sure to remove all of the foam pieces around the legs.

Remove the bag containing the drying rack, literature and serial cable.



LOCATION OF YOUR DRYER

IMPORTANT: Gas dryers are not approved for mobile home installation.

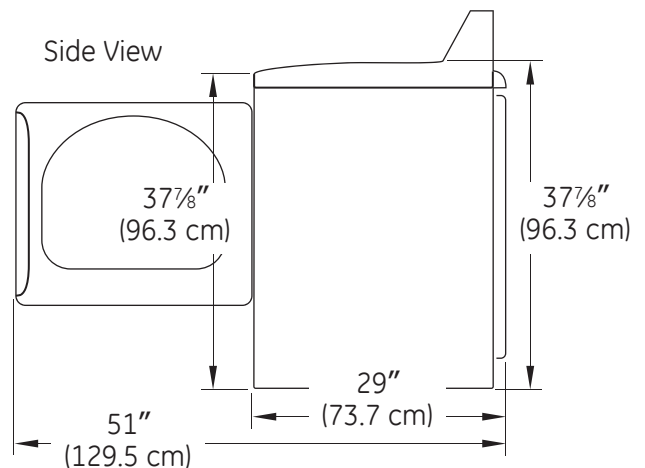
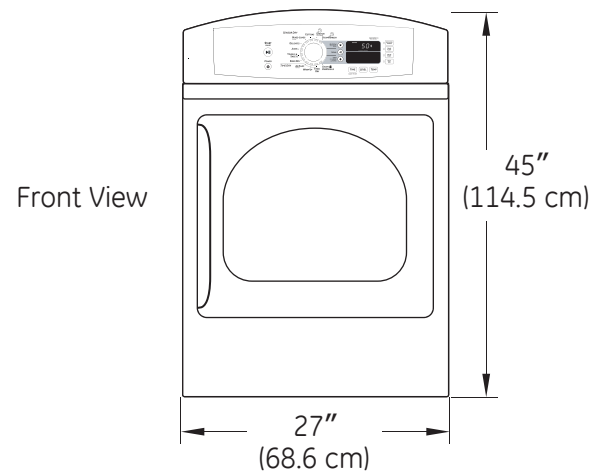
MINIMUM CLEARANCE OTHER THAN ALCOVE OR CLOSET INSTALLATION

Minimum clearance to combustible surfaces and for air openings are:

- 1 inch clearance both sides
- 1 inch front
- 5 inches rear

Consideration **must** be given to provide adequate clearance for proper operation and service.

DRYER DIMENSIONS



Installation Instructions

LOCATION OF YOUR DRYER (cont.)

REQUIREMENTS FOR ALCOVE OR CLOSET INSTALLATION

- Your dryer is approved for installation in an alcove or closet, as stated on a label on the dryer back.
- The dryer MUST be vented to the outdoors. See the EXHAUST INFORMATION section.
- Minimum clearance between dryer cabinet and adjacent walls or other surfaces is:
 - 1" either side
 - 5" front and rear
- Minimum vertical space from floor to overhead shelves, cabinets, ceilings, etc., is 52".
- Closet doors must be louvered or otherwise ventilated and have at least 60 square inches of open area equally distributed. If the closet contains both a washer and a dryer, doors must contain a minimum of 120 square inches of open area equally distributed.
- No other fuel-burning appliance shall be installed in the same closet with the dryer (gas models only).
- The closet should be vented to the outdoors to prevent gas pocketing in case of gas in the supply line.

BATHROOM OR BEDROOM INSTALLATION

- The dryer MUST be vented to the outdoors. See EXHAUST INFORMATION.
- The installation must conform with local codes or, in the absence of local codes, with the NATIONAL ELECTRICAL CODE, ANSI/NFPA NO. 70 (for electric dryers) or NATIONAL FUEL GAS CODE, ANSI Z223 (for gas dryers).

MOBILE OR MANUFACTURED HOME INSTALLATION

- The installation must conform to the MANUFACTURED HOME CONSTRUCTION & SAFETY STANDARD, TITLE 24, PART 32-80 or, when such standard is not applicable, with AMERICAN NATIONAL STANDARD FOR MOBILE HOME, NO. 501B.
- The dryer MUST be vented to the outdoors with the termination securely fastened to the mobile home structure. (See EXHAUSTING THE DRYER.)
- The vent MUST NOT be terminated beneath a mobile or manufactured home.
- The vent duct material MUST BE METAL.
- FOR GAS MODELS ONLY: KIT 14-D346-33 MUST be used to attach the dryer securely to the structure.
- FOR GAS MODELS ONLY: The vent MUST NOT be connected to any other duct, vent or chimney.
- Do not use sheet metal screws or other refastening devices which extend into the interior of the exhaust vent.
- Provide an opening with a free area of at least 25 sq. in. for introduction of outside air into the dryer room.

Installation Instructions

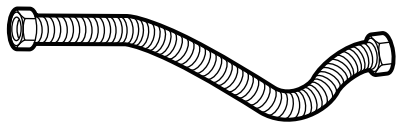
CONNECTING A GAS DRYER (skip for electric dryers)

TOOLS AND MATERIALS YOU WILL NEED FOR CONNECTING THE GAS SUPPLY

- Flat- or straight-blade screwdriver (may be needed for cord strain relief)



- Flexible stainless steel or plastic-coated brass connecting tube (if allowed by building code)



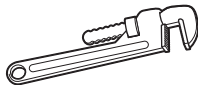
- Open-end wrenches for flexible tube and connector



- Adjustable pliers (to adjust leveling legs)



- Pipe wrench for holding dryer gas inlet while attaching adapter elbow



- Adjustable wrenches (2) for tightening connections



- Gloves



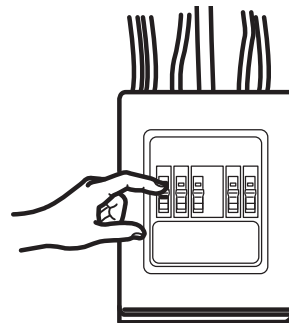
- Safety glasses



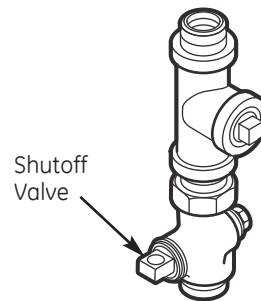
FOR YOUR SAFETY:

⚠ WARNING

Before beginning the installation, turn off the circuit breaker(s) or remove the dryer's circuit fuse(s) at the electrical box. Be sure the dryer cord is unplugged from the wall.



Turn the dryer's gas shutoff valve in the supply line to the OFF position.



Disconnect and discard old flexible gas connector and ducting material.



Installation Instructions

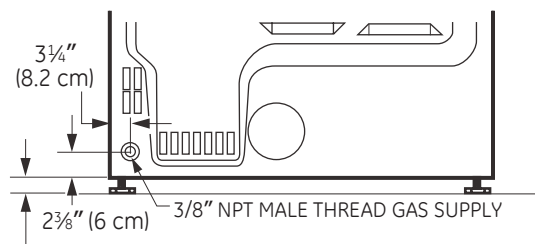
CONNECTING A GAS DRYER (cont.)

GAS REQUIREMENTS

⚠ WARNING

- Installation must conform to local codes and ordinances, or in their absence, the NATIONAL FUEL GAS CODE, ANSI Z223.
- This gas dryer is equipped with a Valve and Burner Assembly for use only with natural gas. Using conversion kit WE25X10014, your local service organization can convert this dryer for use with propane (LP) gas. ALL CONVERSIONS MUST BE MADE BY PROPERLY TRAINED AND QUALIFIED PERSONNEL AND IN ACCORDANCE WITH LOCAL CODES AND ORDINANCE REQUIREMENTS.
- The dryer must be disconnected from the gas supply piping system during any pressure testing of that system at a test pressure in excess of 0.5 PSI (3.4 KPa).
- The dryer must be isolated from the gas supply piping system by closing the equipment shut-off valve during any pressure testing of the gas supply piping of test pressure equal to or less than 0.5 PSI (3.4KPa).

DRYER GAS SUPPLY CONNECTION



NOTE: Add to vertical dimension the distance between cabinet bottom to floor.

GAS SUPPLY

- A 1/8" National Pipe Taper thread plugged tapping, accessible for test gauge connection, must be installed immediately upstream of the gas supply connection to the dryer. Contact your local gas utility should you have questions on the installation of the plugged tapping.
- Supply line is to be 1/2" rigid pipe and equipped with an accessible shutoff within 6 feet of, and in the same room with, the dryer.
- Use pipe compound appropriate for natural or LP gas or use Teflon® tape.
- Connect flexible metal connector to dryer and gas supply.

IN THE COMMONWEALTH OF MASSACHUSETTS

- This product must be installed by a licensed plumber or gas fitter.
- When using ball-type gas shut-off valves, they shall be the T-handle type.
- A flexible gas connector, when used, must not exceed 3 feet.

ADJUSTING FOR ELEVATION

- Gas clothes dryers input ratings are based on sea level operation and need not be adjusted for operation at or below 2000 ft. elevation. For operation at elevations above 2000 ft., input ratings should be reduced at a rate of 4 percent for each 1000 ft. above sea level.
- Installation must conform to local codes and ordinances or, in their absence, the NATIONAL FUEL GAS CODE, ANSI Z223.

Installation Instructions

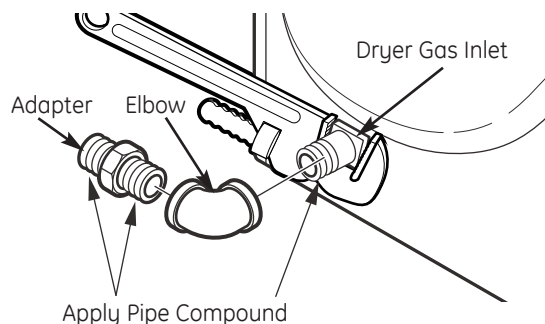
CONNECTING THE DRYER TO THE GAS SUPPLY

- A** Install a female 3/8" NPT elbow at the end of the dryer gas inlet.

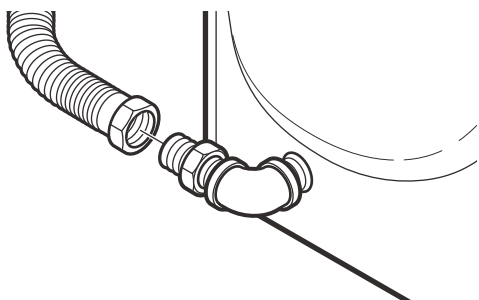
Install a 3/8" flare union adapter to the female elbow.

IMPORTANT: Use a pipe wrench to securely hold on to the end of the dryer gas inlet to prevent twisting the inlet.

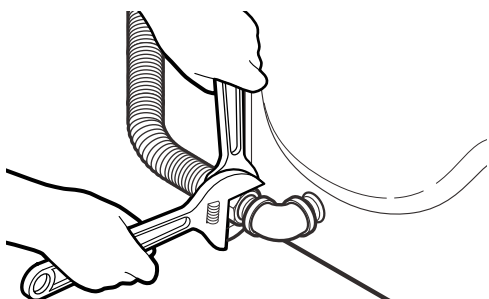
NOTE: Apply pipe compound or Teflon® tape to the threads of the adapter and dryer gas inlet.



- B** Attach the flexible metal gas line connector to the adapter.



- C** Tighten the flexible gas line connection using two adjustable wrenches.

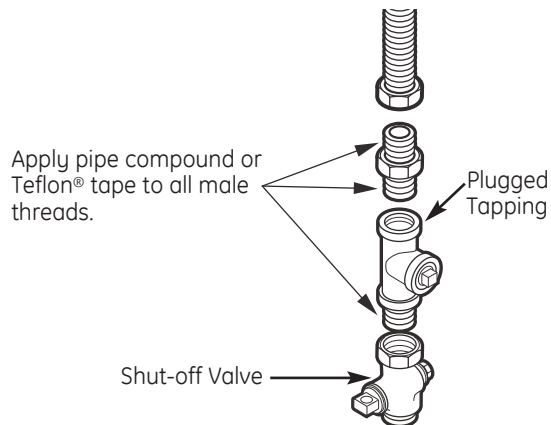


CONNECTING THE DRYER TO THE GAS SUPPLY (cont.)

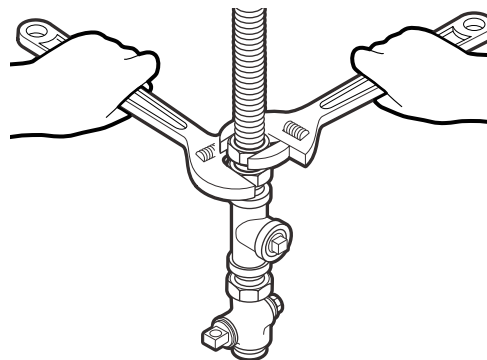
- D** Install a 1/8" NPT plugged tapping to the dryer gas line shut-off valve for checking gas inlet pressure.

Install a flare union adapter to the plugged tapping.

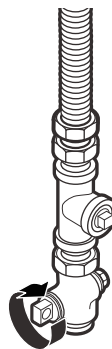
NOTE: Apply pipe compound or Teflon® tape to the threads of the adapter and plugged tapping.



- E** Tighten all connections using two adjustable wrenches. **Do not overtighten.**



- F** Open the gas shutoff valve.



Installation Instructions

CONNECTING A GAS DRYER (cont.)

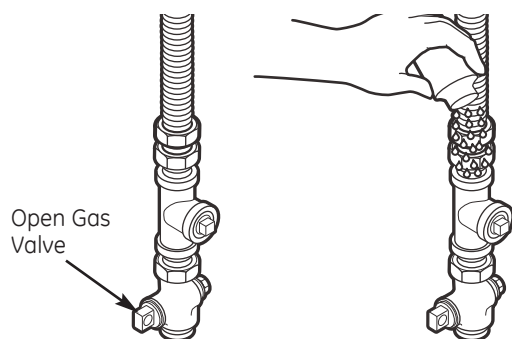
TEST FOR LEAKS

⚠ WARNING — Never use an open flame to test for gas leaks.

Check all connections for leaks with soapy solution or equivalent.

Apply a soap solution. The leak test solution must not contain ammonia, which could cause damage to the brass fittings.

If leaks are found, close the valve, retighten the joint and repeat the soap test.

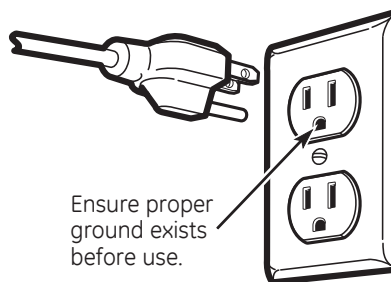


ELECTRICAL REQUIREMENTS FOR GAS DRYERS

This appliance must be supplied with 120V, 60Hz, and connected to a properly grounded branch circuit, protected by a 15- or 20-amp circuit breaker or time-delay fuse.

If electrical supply provided does not meet the above specifications, it is recommended that a licensed electrician install an approved outlet.

⚠ WARNING — This dryer is equipped with a three-prong (grounding) plug for your protection against shock hazard and should be plugged directly into a properly grounded three-prong receptacle. Do not cut or remove the grounding terminal from this plug.



ELECTRICAL CONNECTION INFORMATION FOR GAS DRYERS

⚠ WARNING — To reduce the risk of fire, electric shock and personal injury:

- Do not use an extension cord or an adapter plug with this appliance.
- The dryer must be electrically grounded in accordance with local codes and ordinances, or in the absence of local codes, in accordance with the NATIONAL ELECTRICAL CODE, ANSI/NFPA NO. 70.

Installation Instructions

CONNECTING AN ELECTRIC DRYER (skip for gas dryers)

TOOLS AND MATERIALS YOU WILL NEED FOR CONNECTING THE ELECTRICAL SUPPLY

- Flat- or straight-blade screwdriver (may be needed for cord strain relief)



- #2 Phillips-head screwdriver (for terminal connections)

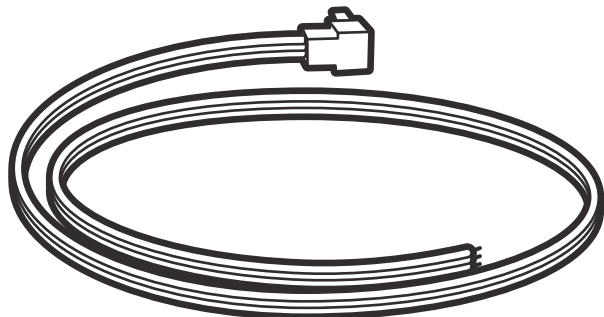


- UL-listed strain relief (may be supplied with cord)



- UL-listed power cord

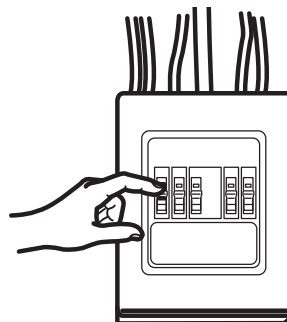
- 30-amp
- 240V
- #10 AWG minimum copper conductor
- Closed-loop or forked terminals with upturned ends
- 3-wire (for construction before 1996) or 4-wire (for construction after 1996)



FOR YOUR SAFETY:

⚠ WARNING

Before making the electrical connection, turn off the circuit breaker(s) or remove the dryer's circuit fuse(s) at the electrical box. Be sure the dryer cord is unplugged from the wall. NEVER LEAVE THE ACCESS COVER OFF THE TERMINAL BLOCK.



ELECTRICAL CONNECTION INFORMATION FOR ELECTRIC DRYERS

⚠ **WARNING** – To reduce the risk of fire, electric shock and personal injury:

- Do not use an extension cord or an adapter plug with this appliance.
- The dryer must be electrically grounded in accordance with local codes and ordinances, or in the absence of local codes, in accordance with the NATIONAL ELECTRICAL CODE, ANSI/NFPA NO. 70.

Installation Instructions

CONNECTING AN ELECTRIC DRYER (cont.)

ELECTRICAL REQUIREMENTS FOR ELECTRIC DRYERS

This dryer must be connected to an individual branch circuit, protected by the required time-delay fuses or circuit breakers. A three- or four-wire, single phase, 120/240V or 120/208V, 60Hz, 30-amp circuit is required.

If the electric supply does not meet the above specifications, then call a licensed electrician.

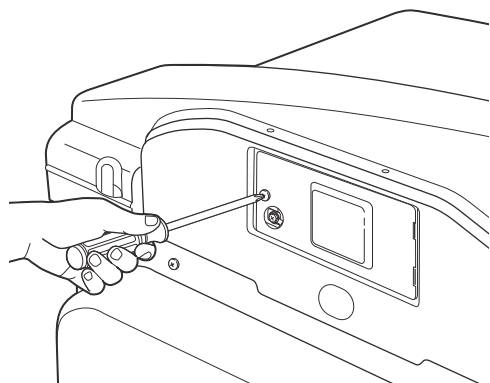
GROUNDING INSTRUCTIONS

This dryer must be connected to a grounded metal, permanent wiring system, or an equipment-grounding conductor must be run with the circuit conductors and connected to the equipment grounding terminal on the appliance.

CONNECTING DRYER POWER CORD

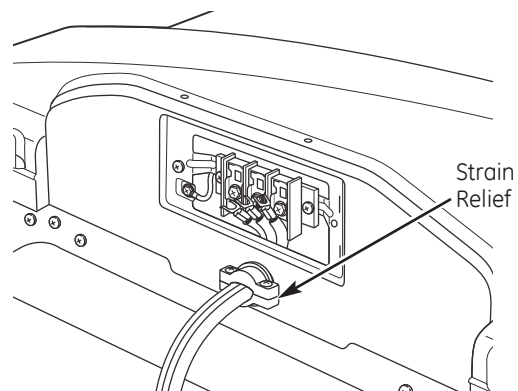
NOTE: Since January 1, 1996, the National Electrical Code requires that new constructions utilize a 4-wire connection to an electric dryer. A 4-wire cord must also be used where local codes do not permit grounding through the neutral. 3-wire connection is NOT for use on new construction.

- A** Remove the terminal block access cover located at the upper back.



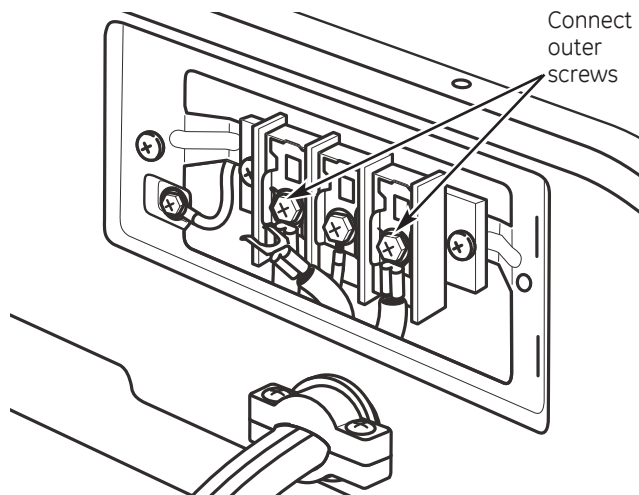
CONNECTING DRYER POWER CORD (cont.)

- B** **For 3-wire and 4-wire Connection:** Install a UL-listed strain relief into the power cord entry hole beneath the terminal block. Thread a UL-listed 30A, 240V, 3-wire or 4-wire, #10 AWG minimum copper conductor power cord through the strain relief.



(3-wire Connection Shown)

- C** **For 3-wire and 4-wire Connection:** Connect the two hot lines to the outer screws of the terminal block.



(3-wire Connection Shown)

- ⚠ WARNING:** Do not make a sharp bend or crimp wiring/conductor at connections.

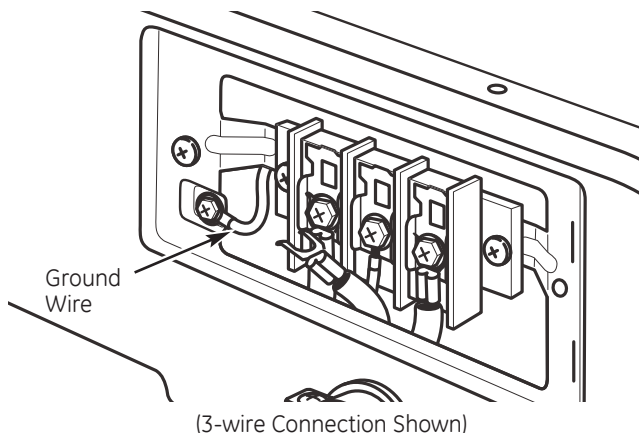
⚠ WARNING – NEVER LEAVE THE COVER OFF OF THE TERMINAL BLOCK.

Installation Instructions

CONNECTING DRYER POWER CORD (cont.)

D For 3-wire Connection ONLY:

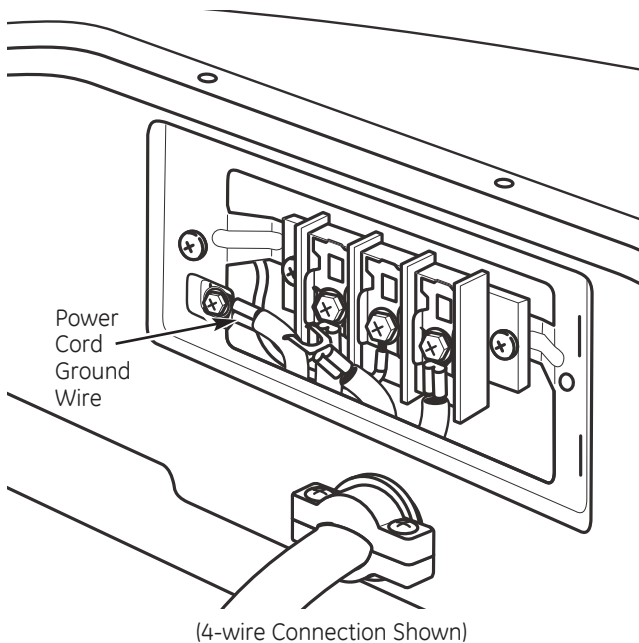
Be sure the dryer's green ground wire is connected to green ground screw on cabinet rear.



For 4-wire Connection ONLY:

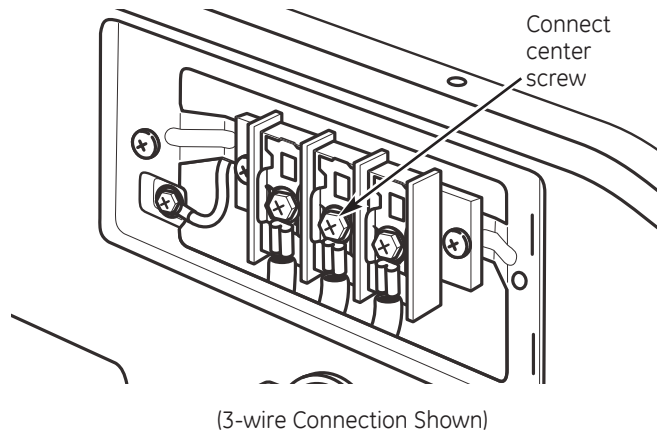
Remove the dryer's ground wire from behind the green ground screw and connect it to the center screw of the terminal block.

Attach ground wire of power cord to the cabinet with the green ground screw.

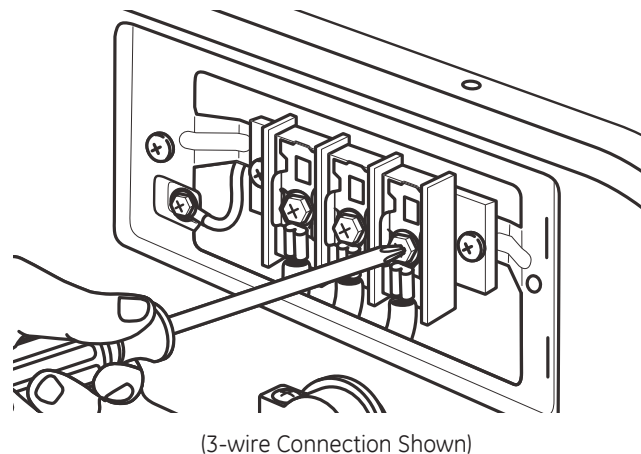


CONNECTING DRYER POWER CORD (cont.)

E For 3-wire and 4-wire Connection: Connect the neutral (center line on 3-wire, white line on 4-wire) line to the center of terminal block.

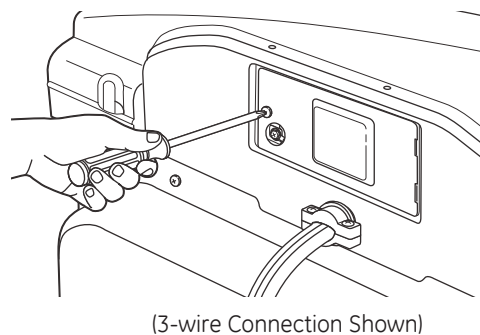


F For 3-wire and 4-wire Connection: Tighten all terminal block screws completely.



G For 3-wire and 4-wire Connection: Reinstall the terminal block access cover.

IMPORTANT: Do not leave the access cover off.



Installation Instructions

EXHAUSTING THE DRYER

⚠ WARNING – To reduce the risk of fire or personal injury:

- This dryer must be exhausted to the outdoors.
- Use only metal duct.
- Do not terminate exhaust in a chimney, any gas vent, under an enclosed floor (crawl space) or into an attic. The accumulated lint could create a fire hazard.
- Provide an access for inspection and cleaning of the exhaust system, especially at turns. Inspect and clean at least once a year.
- Never terminate the exhaust into a common duct with a kitchen exhaust. A combination of lint and grease could create a fire hazard.
- Do not obstruct incoming or exhausted air.
- Use only 4" rigid metal or UL-listed flexible metal (semi-rigid or foil-type) duct to connect the dryer to the home exhaust duct. It must be installed in accordance with the instructions found in Connecting the Dryer to House Vent on page 25 of this manual.
- Do not use duct longer than specified in the exhaust length table. Longer ducts can accumulate lint, creating a potential fire hazard.
- Never install a screen in or over the exhaust duct. This will cause lint to accumulate, creating a potential fire hazard.
- Do not assemble ductwork with any fasteners that extend into the duct. These fasteners can accumulate lint, creating a potential fire hazard.
- This dryer comes ready for rear exhausting. If space is limited, use the instructions on pages 28, 29 to exhaust directly from the sides or bottom of the cabinet.

TOOLS AND MATERIALS YOU WILL NEED TO INSTALL EXHAUST DUCT

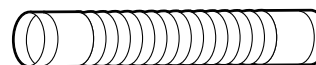
- Phillips-head screwdriver



- Duct tape or duct clamp



- Rigid or UL-listed flexible metal 4" (10.2 cm) duct



- Vent hood



EXHAUST SYSTEM CHECKLIST

HOOD OR WALL CAP

- Terminate in a manner to prevent back drafts or entry of birds or other wildlife.
- Termination should present minimal resistance to the exhaust airflow and should require little or no maintenance to prevent clogging.
- Never install a screen in or over the exhaust duct.
- Wall caps must be installed at least 12" above ground level or any other obstruction with the opening pointed down.
- If roof vents or louvered plenums are used, they must be equivalent to a 4" dampened wall cap in regard to resistance to airflow, prevention of back drafts and maintenance required to prevent clogging.

SEPARATION OF TURNS

- For best performance, separate all turns by at least 4 ft. of straight duct, including distance between last turn and dampened wall cap. For turns less than 4 ft. apart, see the Ducting Component Equivalency Chart.

SEALING OF JOINTS

- All joints should be tight to avoid leaks. The male end of each section of duct must point away from the dryer.
- Do not assemble the ductwork with fasteners that extend into the duct. They will serve as a collection point for lint.
- Duct joints should be made air- and moisture-tight by wrapping the overlapped joints with duct tape or aluminum tape.
- Horizontal runs should slope down toward outdoors 1/4" per foot.

INSULATION

- Ductwork that runs through an unheated area or is near air conditioning should be insulated to reduce condensation and lint buildup.

Installation Instructions

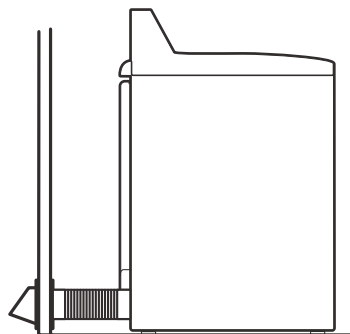
USING FLEXIBLE METAL DUCT FOR TRANSITION VENTING

Rigid or semi-rigid metal ducting is recommended for use as transition ducting between the dryer and the wall. In special installations when it is impossible to make a connection with the above recommendations, then a UL-listed flexible metal transition duct may be used between the dryer and wall connection only. The use of this ducting will affect dry time.

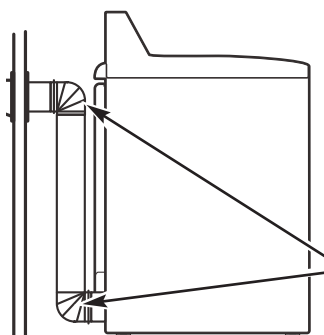
If flexible metal transition duct is necessary, the following directions must be followed:

- Use the shortest length possible.
- Stretch the duct to its maximum length.
- Do not crush or collapse.
- Never use flexible metal ducting inside the wall or inside the dryer.
- Avoid resting the duct on sharp objects.
- Venting must conform to local building codes.

FOR TRANSITION VENTING (DRYER TO WALL), DO:

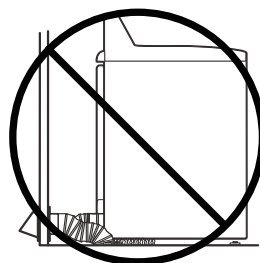


- **DO** cut duct as short as possible and install straight into wall.

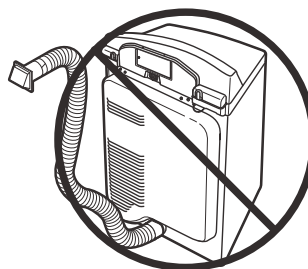


- **DO** use elbows when turns are necessary.

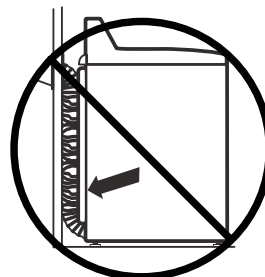
DO NOT:



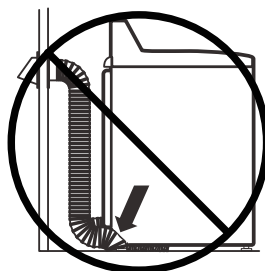
- **DO NOT** bend or collapse ducting. Use elbows if turns are necessary.



- **DO NOT** use excessive exhaust length. Cut duct as short as possible.



- **DO NOT** crush duct against the wall.



- **DO NOT** set dryer on duct.

Installation Instructions

EXHAUSTING THE DRYER (cont.)

⚠ WARNING

USE ONLY METAL 4" DUCT. DO NOT USE DUCT LONGER THAN SPECIFIED IN THE EXHAUST LENGTH TABLE.

Ducting longer than 90 equivalent feet will:

- Increase the drying times and the energy cost.
- Reduce the dryer life.
- Accumulate lint, creating a potential fire hazard.

EXAMPLE ONLY

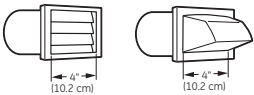
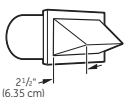
The following chart describes an example of one possible ductwork installation.

The correct exhaust installation is your responsibility.

Problems due to incorrect installation are not covered by the warranty.

The length of the exhaust system depends upon the type of duct, number of turns and the type of exhaust hood (wall cap), and all conditions noted below. Both rigid and flexible metal ducts are shown in the table.

For satisfactory air movement, the total duct length should not exceed **90** equivalent feet.

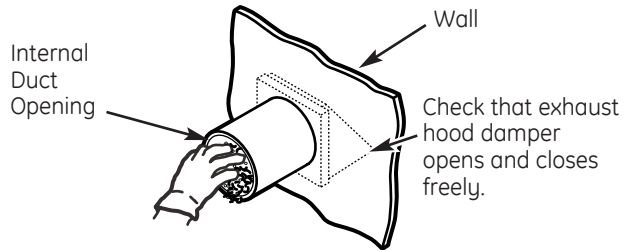
Wall Cap Type	Number of 90° Elbows	Maximum Length of 4-inch Diameter Rigid Metal Duct
Recommended 	0	65 ft. (19.8 m)
	1	55 ft. (16.8 m)
	2	47 ft. (13.7 m)
	3	36 ft. (11.0 m)
	4	28 ft. (8.5 m)
Use Only for Short Run Installations 	0	55 ft. (16.8 m)
	1	47 ft. (13.7 m)
	2	41 ft. (12.5 m)
	3	30 ft. (9.1 m)
	4	22 ft. (6.7 m)

Installation Instructions

EXHAUSTING THE DRYER (cont.)

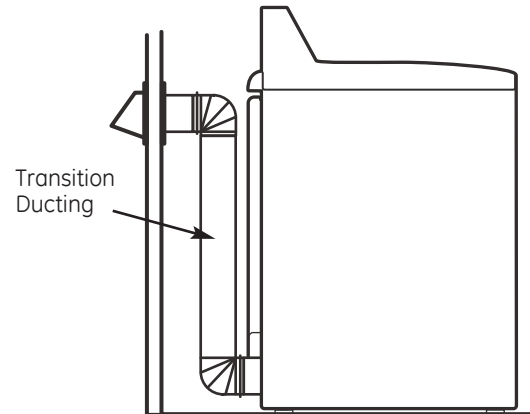
BEFORE YOU BEGIN

Remove any lint from the wall exhaust opening.



RECOMMENDED CONFIGURATION TO MINIMIZE EXHAUST BLOCKAGE

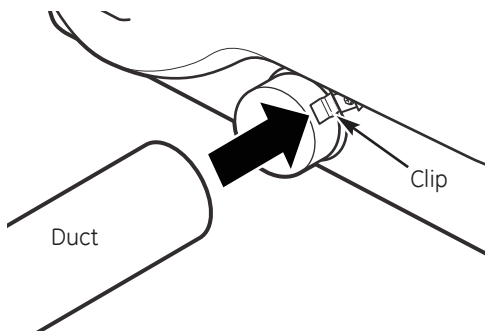
Using duct elbows will prevent duct kinking and collapsing.



STANDARD REAR EXHAUST

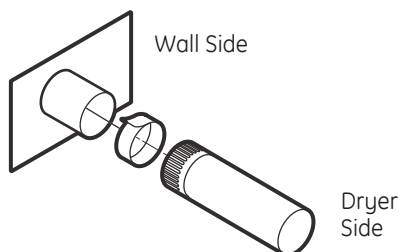
We recommend that you install your dryer before installing your washer. This will permit direct access for easier exhaust connection.

Slide the end of the exhaust duct underneath the clips on the back of the dryer and secure with duct tape or a hose clamp.



NOTE: We strongly recommend using rigid metal exhaust duct. If using semi-rigid metal duct, cut it to the proper length and avoid bunching of the duct behind the dryer.

- For straight-line installation, connect the dryer exhaust to the wall using duct tape.



Installation Instructions

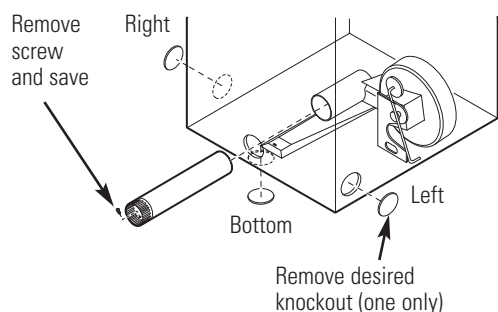
EXHAUSTING THE DRYER (cont.)

SIDE VENTING:

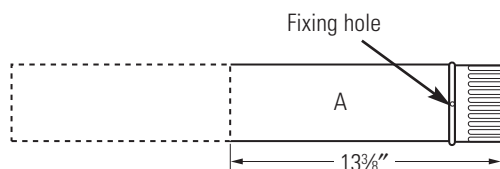
Dryer Exhaust to right of cabinet for Electric models only.

Dryer Exhaust to left of cabinet for Gas and Electric models.

⚠ WARNING – BEFORE PERFORMING THIS EXHAUST INSTALLATION, BE SURE TO DISCONNECT THE DRYER FROM ITS ELECTRICAL SUPPLY. PROTECT YOUR HANDS AND ARMS FROM SHARP EDGES WHEN WORKING INSIDE THE CABINET. BE SURE TO WEAR GLOVES.

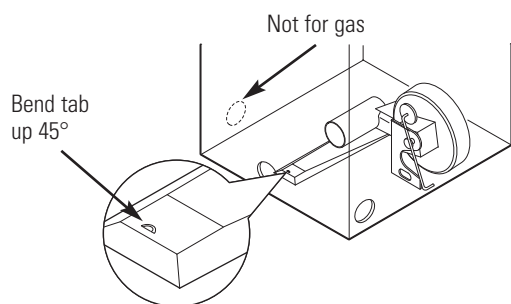


Detach and remove the bottom, right or left side knockout as desired. Remove the screw inside the dryer exhaust duct and save. Pull the duct out of the dryer.



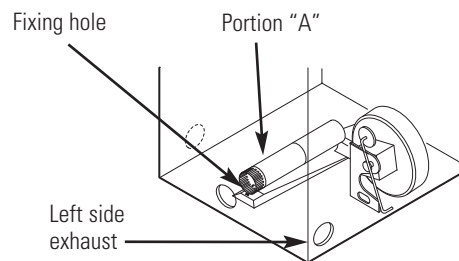
Cut the duct as shown and keep portion A.

TAB LOCATION



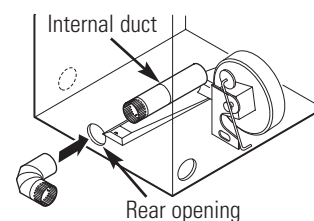
Through the rear opening, locate the tab in the middle of the appliance base. Lift the tab to about 45°, using a flat-blade screwdriver.

ADDING A NEW DUCT

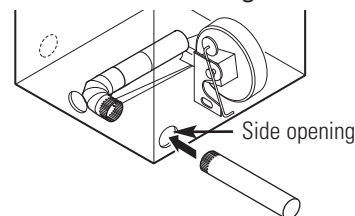


Reconnect the cut portion (A) of the duct to the blower housing. Make sure that the shortened duct is aligned with the tab in the base. Use the screw saved previously to secure the duct in place through the tab on the appliance base.

ADDING ELBOW AND DUCT FOR EXHAUST TO LEFT OR RIGHT SIDE OF CABINET



- Insert the 4" elbow through the rear opening and connect the elbow to the dryer internal duct.



- Insert the 4" duct through the side opening and connect it to the elbow.

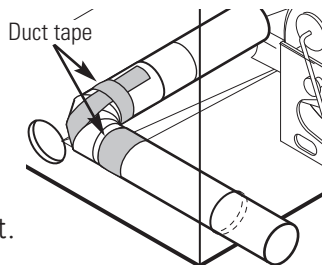
⚠ CAUTION: Do not pull or damage the electrical wires and do not remove the vinyl cover from the electrical components inside the dryer when inserting the duct. A slight interference may occur between the exhaust and the wire components.

Installation Instructions

SIDE VENTING (cont.)

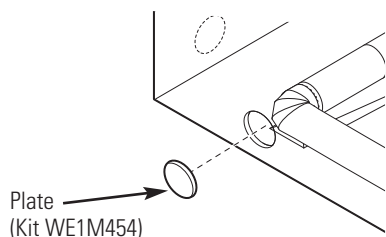
ADDING ELBOW AND DUCT FOR EXHAUST TO LEFT OR RIGHT SIDE OF CABINET (cont.)

- Apply duct tape as shown on the joint between the dryer internal duct and the elbow, and also the joint between the elbow and the side duct.



⚠ CAUTION: Internal duct joints must be secured with tape; otherwise, they may separate and cause a safety hazard.

ADDING COVER PLATE TO REAR OF CABINET (SIDE EXHAUST)



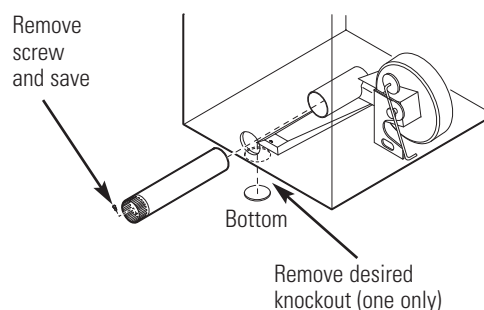
Connect standard metal elbows and ducts to complete the exhaust system. Cover back opening with a plate (Kit WE1M454) available from your local service provider. Place dryer in final location.

⚠ WARNING – NEVER LEAVE THE BACK OPENING WITHOUT THE PLATE.
(Kit WE1M454)

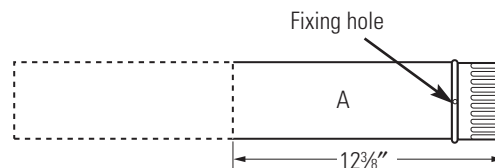
BOTTOM VENTING:

Dryer Exhaust to the bottom of cabinet for Gas and Electric models.

⚠ WARNING – BEFORE PERFORMING THIS EXHAUST INSTALLATION, BE SURE TO DISCONNECT THE DRYER FROM ITS ELECTRICAL SUPPLY. PROTECT YOUR HANDS AND ARMS FROM SHARP EDGES WHEN WORKING INSIDE THE CABINET. BE SURE TO WEAR GLOVES.



Remove the screw inside the dryer exhaust duct and save. Pull the duct out of the dryer. Detach and remove the bottom knockout.



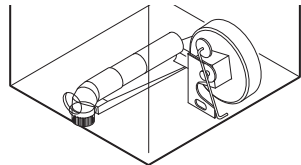
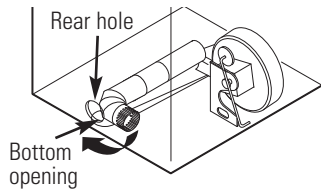
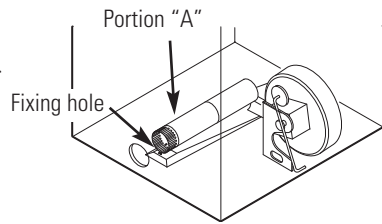
Cut the duct as shown and keep portion A.

EXHAUSTING THE DRYER (cont.)

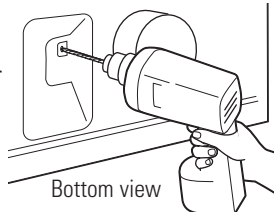
BOTTOM VENTING (cont.)

ADDING A NEW DUCT

- Reconnect the cut portion A of the duct to the blower housing.
- Tape the elbow in a 90-degree position to prevent rotation.
- Insert the elbow through the rear hole and connect it to portion A. Rotate the elbow through the bottom opening.



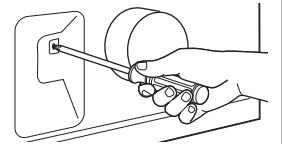
- While holding down the pipe and elbow, using your hand through the rear opening, drill a 1/8" hole through the bottom tab hole and the pipe as shown in the illustration.



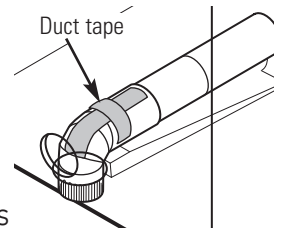
NOTE: Make sure the hole is drilled all the way through the elbow and pipe.

CAUTION: Be sure not to pull or damage the electrical wires inside the dryer when inserting the duct.

- While still holding down the pipe and elbow from the rear opening, screw the pipes in place with the previously saved screw.



- Apply duct tape as shown on the joint between the dryer internal duct and the elbow.

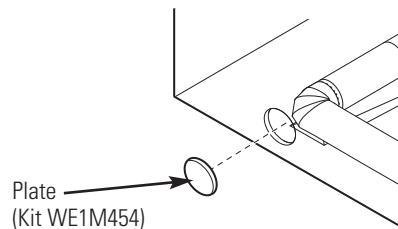


NOTE: Make sure the tape covers the screw hole in portion A where it connects to the elbow.

CAUTION: Internal duct joints must be secured with tape; otherwise, they may separate and cause a safety hazard.

Dryer Exhaust to the bottom of cabinet for Gas and Electric models.

ADDING COVER PLATE TO REAR OF CABINET (BOTTOM EXHAUST)



Connect standard metal elbows and ducts to complete the exhaust system. Cover back opening with a plate (Kit WE1M454) available from your local service provider. Place dryer in final location.

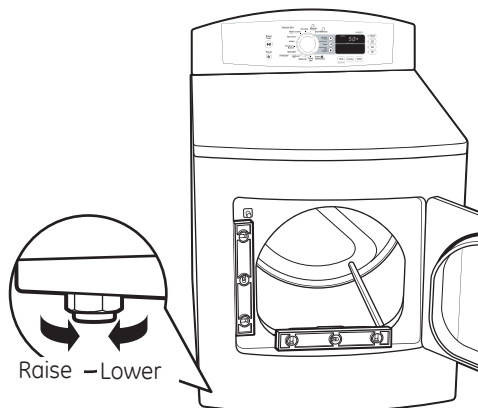
WARNING – NEVER LEAVE THE BACK OPENING WITHOUT THE PLATE.
(Kit WE1M454)

Installation Instructions

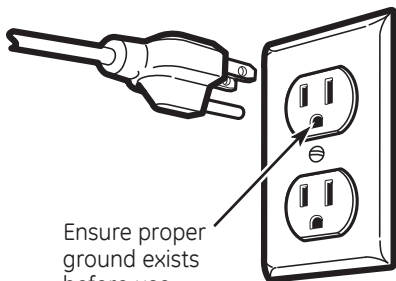
FINAL SETUP

1 LEVEL THE DRYER

Stand the dryer near the final location. Place a level against the side and bottom of the dryer door frame and use the four leveling legs to level your dryer.



2 PLUG IN DRYER

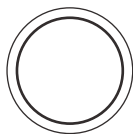


Ensure proper ground exists before use.

3 DRYER STARTUP

Press the **POWER** button.

POWER



NOTE: If the dryer has been exposed to temperatures below freezing for an extended period of time, allow it to warm up before pressing **POWER**. Otherwise, the display will not come on. The dryer is now ready for use.

4 DUCT CONDITION TEST

Press **DAMP ALERT** and **TEMP** together and don't release, then press **POWER** in idle state with no load in the dryer drum. Your dryer has an innovative duct blockage monitoring system that automatically monitors, detects, and alerts you when blockages occur in your ductwork. The dryer will show **InS** in the number display to indicate that it is in duct condition testing mode. Press the **START/PAUSE** button. The dryer will run approximately 2 minutes to test for blockages or restrictions to the air flow in the ductwork.

IMPORTANT: Do **NOT** interrupt the test cycle!



If you observe "CLg" in the display window you must clean your exhaust ducting before you complete installation. Check exhaust ducting for obstructions or blockages, especially around turns. Contact a qualified service provider if necessary.

After testing, press the **POWER** button to end test.

NOTE: When the dryer is first installed, this test should be performed to alert you of any existing problems with the exhaust duct in your home. However, during normal usage with any cycle, your dryer keeps automatically detecting duct blockage and displays "CLg" in blocked condition.

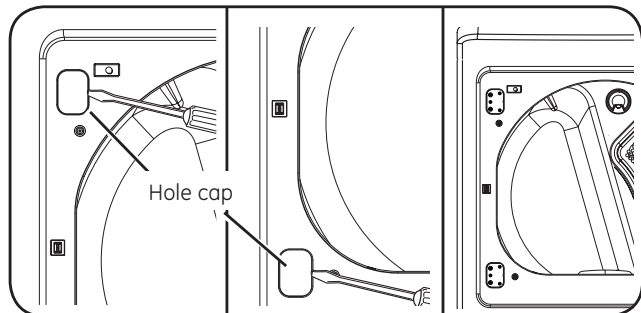
SERVICING

⚠ WARNING – Label all wires prior to disconnection when servicing controls. Wiring errors can cause improper and dangerous operation after servicing/installation.

For replacement parts and other information, refer to the Owner's Manual for servicing phone numbers.

Installation Instructions

REVERSING THE DOOR SWING (if desired)



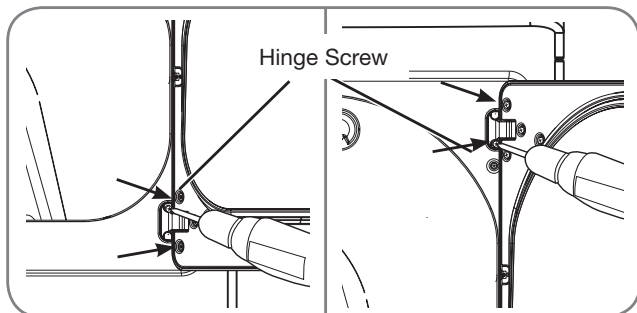
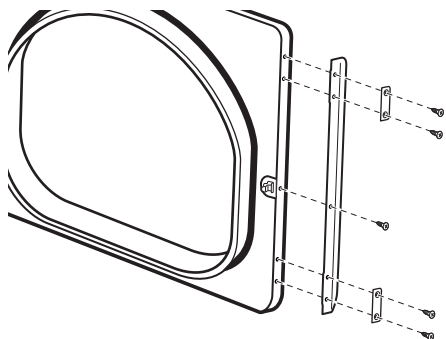
STEP 1

Open the door and remove the two plastic hole caps on the catch side by gently prying up with a flat blade screwdriver. Save these for step 6.

CAUTION: Support the weight of the door when removing the screws in the next step. Failure to properly support the weight of the door could result in property damage, damage to the dryer, or personal injury.

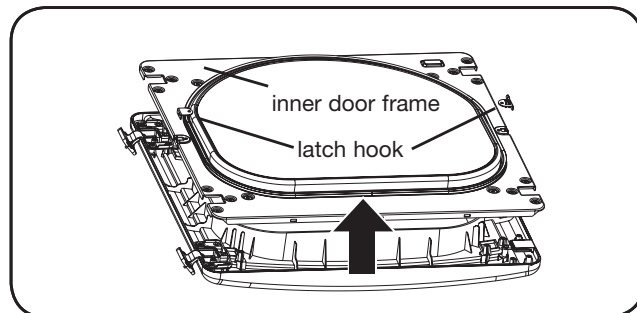
STEP-2 REMOVE HANDLE

Remove the screws holding the handle and two spacers.



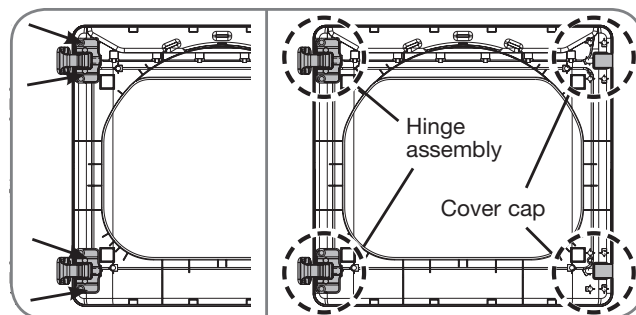
STEP 3

While supporting the door, remove the 4 screws, two from each hinge. Set the door aside face down on a protected surface to prevent damage to the door or the work surface.



STEP 4

With the door on a protected surface, remove the 12 screws on each side of the door and lift off the inner door frame using a flat blade screwdriver. Remove the latch hook and blank and move them to the opposite side.

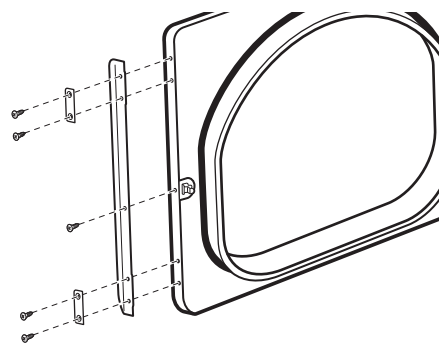


STEP 5

Remove the 4 screws securing the hinges to the door frame. Remove the two plastic cover caps. Reinstall the hinges and cover caps on the opposite sides from which they were removed.

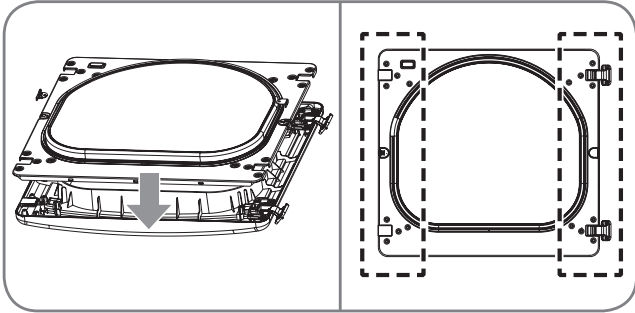
STEP 6 REVERSE HANDLE

Install the handle on the opposite side of the door.



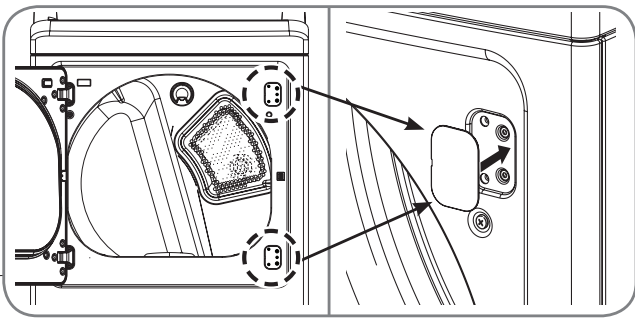
Installation Instructions

REVERSING THE DOOR SWING (if desired)



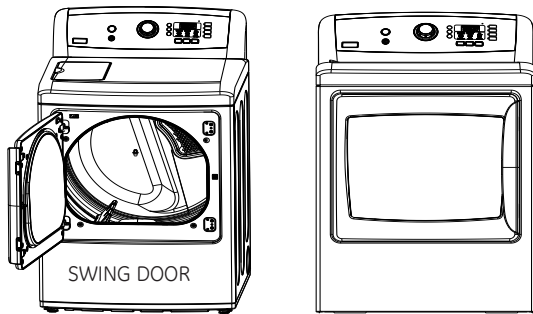
STEP 7

With the hinges and cover caps in the new locations, remount the inner door frame onto the outer door frame with the screws removed in step 3.



STEP 8

Reinstall the door with the screws from step 1, 2.



STEP 9

Test the swing of the door to make sure the hinges and latch are properly aligned and that the door closes and latches correctly.

Before you call for service...



Troubleshooting Tips
 Save time and money! Review the chart below first and you may not need to call for service.

Problem	Possible Cause	What To Do
Dryer won't operate	Control panel is asleep	• This is normal. Press POWER .
	Dryer is unplugged	• Make sure cord is plugged securely into a working outlet.
	Controls are not set properly	• Make sure the cycle was set correctly, close the lid and press START .
	Fuse is blown/circuit breaker is tripped	• Check house circuit breakers/fuses. Replace fuses or reset breaker. NOTE: Electric dryers use two fuses or breakers.
	Electronics need to be reset	• Unplug dryer, wait 2 minutes, plug back in and press POWER .
	START was not pressed after a cycle was set	• Press START .
	Door was opened during the dry cycle	• Close the door and reset cycle, to the beginning if necessary. Press START .
	Dryer is too cold	• If the dryer has been exposed to temperatures below freezing for an extended period of time, allow it to warm up before pressing POWER . Otherwise, the display will not come on.
CLg in display window	Exhaust duct blocked	• Check all of your exhaust ducting including transition ducts, wall caps and around turns. Contact a qualified service provider if necessary.

Normal Operating Sounds

The following are normal sounds you may hear:

Sound	Description
Thumping noise when drum rotates	• If the dryer has not been used for an extended period of time, you may hear a thumping noise from temporary flat spots on the drum support rollers. The noise will go away after use.

NOTES:

)

GE Dryer Warranty. *(For customers in the United States)*



All warranty service provided by our Factory Service Centers, or an authorized Customer Care® technician. To schedule service, on-line, visit us at GEAppliances.com, or call 800.GE.CARES (800.432.2737).

Please have serial number and model number available when calling for service.

Staple your receipt here.
Proof of the original purchase date is needed to obtain service under the warranty.

For The Period Of: We Will Replace:

One Year From the date of the original purchase	Any part of the dryer which fails due to a defect in materials or workmanship. During this limited one-year warranty , GE will also provide, free of charge , all labor and related service costs to replace the defective part.
Second Year From the date of the original purchase	Any part of the dryer which fails due to a defect in materials or workmanship. During this additional one-year limited warranty , you will be responsible for any labor or related service costs.
Third through Fifth Year From the date of the original purchase	Dryer Drum and Main Electronic Control Panel , if either of these parts should fail due to a defect in materials or workmanship. During this additional three-year limited warranty , you will be responsible for any labor or related service costs.

What Is Not Covered (in the United States):

- Service trips to your home to teach you how to use the product.
- Improper installation.
- Failure of the product if it is abused, misused or used for other than the intended purpose or used commercially.
- Replacement of house fuses or resetting of circuit breakers.
- Damage to the product caused by accident, fire, floods or acts of God.
- Incidental or consequential damage caused by possible defects with this appliance.
- Damage caused after delivery.

EXCLUSION OF IMPLIED WARRANTIES—Your sole and exclusive remedy is product repair as provided in this Limited Warranty. Any implied warranties, including the implied warranties of merchantability or fitness for a particular purpose, are limited to one year or the shortest period allowed by law.

This warranty is extended to the original purchaser and any succeeding owner for products purchased for home use within the USA. If the product is located in an area where service by a GE Authorized Servicer is not available, you may be responsible for a trip charge or you may be required to bring the product to an Authorized GE Service location for service. In Alaska, the warranty excludes the cost of shipping or service calls to your home.

Some states do not allow the exclusion or limitation of incidental or consequential damages. This warranty gives you specific legal rights, and you may also have other rights which vary from state to state. To know what your legal rights are, consult your local or state consumer affairs office or your state's Attorney General.

Warrantor: General Electric Company. Louisville, KY 40225

GE Dryer Warranty. *(For customers in Canada)*



All warranty service provided by our Factory Service Centres or an authorized technician. For service, call 1.800.561.3344.

Please have serial number and model number available when calling for service.

For The Period Of:	We Will Replace:
One Year From the date of the original purchase	Any part of the dryer which fails due to a defect in materials or workmanship. During this limited one-year warranty , GE will also provide, free of charge , all labor and related service costs to replace the defective part.
Second Year From the date of the original purchase	Any part of the dryer which fails due to a defect in materials or workmanship. During this additional one-year limited warranty , you will be responsible for any labor or related service costs.
Third through Fifth Year From the date of the original purchase	Dryer Drum and Main Electronic Control Panel , if either of these parts should fail due to a defect in materials or workmanship. During this additional three-year limited warranty , you will be responsible for any labor or related service costs.

What Is Not Covered (in Canada):

- Service trips to your home to teach you how to use the product.
- Improper installation.
- Failure of the product if it is abused, misused or used for other than the intended purpose or used commercially.
- Replacement of house fuses or resetting of circuit breakers.
- Damage to the product caused by accident, fire, floods or acts of God.
- Incidental or consequential damage caused by possible defects with this appliance.
- Damage caused after delivery.

EXCLUSION OF IMPLIED WARRANTIES—Your sole and exclusive remedy is product repair as provided in this Limited Warranty. Any implied warranties, including the implied warranties of merchantability or fitness for a particular purpose, are limited to one year or the shortest period allowed by law.

This warranty is extended to the original purchaser and any succeeding owner for products purchased for home use within Canada. In-home warranty service will be provided in areas where it is available and deemed reasonable by Mabe to provide.

WARRANTOR IS NOT RESPONSIBLE FOR CONSEQUENTIAL DAMAGES.

Warrantor: MABE CANADA INC.

Consumer Support.



GE Appliances Website

In the U.S.: **GEAppliances.com**

Have a question or need assistance with your appliance? Try the GE Appliances Website 24 hours a day, any day of the year! For greater convenience and faster service, you can now download Owner's Manuals, order parts or even schedule service on-line. **In Canada: www.geappliances.ca**



Schedule Service

In the U.S.: **GEAppliances.com**

Expert GE repair service is only one step away from your door. Get on-line and schedule your service at your convenience any day of the year! Or call 800.GE.CARES (800.432.2737) during normal business hours.

In Canada, call 1.800.561.3344



Real Life Design Studio

In the U.S.: **GEAppliances.com**

GE supports the Universal Design concept—products, services and environments that can be used by people of all ages, sizes and capabilities. We recognize the need to design for a wide range of physical and mental abilities and impairments. For details of GE's Universal Design applications, including kitchen design ideas for people with disabilities, check out our Website today. For the hearing impaired, please call 800.TDD.GEAC (800.833.4322).

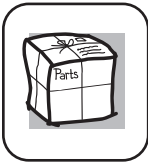
In Canada, contact: Manager, Consumer Relations, Mabe Canada Inc.
Suite 310, 1 Factory Lane
Moncton, N.B. E1C 9M3



Extended Warranties

In the U.S.: **GEAppliances.com**

Purchase a GE extended warranty and learn about special discounts that are available while your warranty is still in effect. You can purchase it on-line anytime, or call 800.626.2224 during normal business hours. GE Consumer Home Services will still be there after your warranty expires. **In Canada, call 1.888.261.2133**



Parts and Accessories

In the U.S.: **GEAppliances.com**

Individuals qualified to service their own appliances can have parts or accessories sent directly to their homes (VISA, MasterCard and Discover cards are accepted). Order on-line today, 24 hours every day or by phone at 800.626.2002 during normal business hours.

Instructions contained in this manual cover procedures to be performed by any user. Other servicing generally should be referred to qualified service personnel. Caution must be exercised, since improper servicing may cause unsafe operation.

Customers **in Canada** should consult the yellow pages for the nearest Mabe service center, or call 1.800.661.1616.



Contact Us

In the U.S.: **GEAppliances.com**

If you are not satisfied with the service you receive from GE, contact us on our Website with all the details including your phone number, or write to:

General Manager, Customer Relations
GE Appliances, Appliance Park
Louisville, KY 40225

In Canada: www.geappliances.ca, or write to: Director, Consumer Relations, Mabe Canada Inc.
Suite 310, 1 Factory Lane
Moncton, N.B. E1C 9M3



Register Your Appliance

In the U.S.: **GEAppliances.com**

Register your new appliance on-line—at your convenience! Timely product registration will allow for enhanced communication and prompt service under the terms of your warranty, should the need arise. You may also mail in the pre-printed registration card included in the packing material. **In Canada: www.geappliances.ca**



Profile Sécheuses

Mesures de sécurité	2-5
Fonctionnement	
Caractéristiques	11
Chargement et utilisation de la sécheuse	12, 13
Options de cycle	9-10
Panneau de contrôle	6-8
Installation	
Avant de commencer	14-16
Évacuation	24-30
Installation finale	31
Inversion de l'ouverture de la porte	32, 33
Raccordement d'une sécheuse à gaz ...	17-20
Raccordement d'une sécheuse électrique	21-23
Conseils de dépannage	34
Soutien au consommateur	
Garantie	37
Soutien au consommateur	38

**Manuel de l'utilisateur &
Instructions d'installation**

**Inscrivez ici les numéros
de modèle et de série :**

Modèle # _____

Série # _____

Ces informations figurent
sur l'étiquette située à l'avant
de la sécheuse, derrière la porte.

3828EL2001D

49-90403 11/10/10 GE

MESURES DE SÉCURITÉ IMPORTANTES. LISEZ D'ABORD TOUTES LES DIRECTIVES.

⚠ AVERTISSEMENT!

Pour votre sécurité, suivez les directives fournies dans le présent manuel afin de minimiser les risques d'incendie, d'explosion et de chocs électriques et prévenir des dégâts matériels et des blessures graves ou mortelles.

N'entreposez pas ou n'utilisez pas d'essence ou autres vapeurs ou liquides inflammables à proximité de cet appareil ou de tout autre électroménager.

L'installation et les réparations doivent être effectuées par un installateur qualifié, une entreprise de réparation ou votre fournisseur de gaz.

SI VOUS REMARQUEZ UNE ODEUR DE GAZ :

- 1 N'allumez pas d'allumette ou de cigarette, ou ne faites fonctionner aucun appareil à gaz ou électrique.
- 2 N'actionnez aucun interrupteur; n'utilisez aucun téléphone dans votre édifice.
- 3 Évacuez la pièce, l'édifice ou les environs.
- 4 Appelez immédiatement votre fournisseur de gaz en utilisant le téléphone d'un voisin. Suivez les directives qu'il vous donnera.
- 5 Si vous ne pouvez joindre votre fournisseur de gaz, appelez les pompiers.



UNE INSTALLATION ADÉQUATE

Avant d'utiliser votre sècheuse, assurez-vous qu'elle a été adéquatement installée, conformément aux Instructions d'installation. Si vous n'avez reçu les instructions d'installation, vous pouvez les commander sur www.electromenagersge.ca ou en appelant le **800.561.3344**.

- Mettez l'appareil à la terre conformément à tous les codes et règlements en vigueur. Suivez les Directives d'installation.
- Installez ou entreposez l'appareil dans une pièce où la température est supérieure à 0°C, et où il sera à l'abri des intempéries.
- Branchez l'appareil sur un circuit protégé et de capacité appropriée afin d'éviter toute surcharge électrique.
- Enlevez le film protecteur de couleur apposé sur le panneau de commandes et la porte.
- Retirez tous les articles d'emballage tranchants et jetez tous les matériaux de transport.
- N'enlevez pas le protecteur de conduit à l'arrière de la sècheuse (sur certains modèles).
- Sortez le protecteur et descendez-le à sa position la plus basse, puis branchez le conduit d'évacuation à la sècheuse. Le protecteur baissé empêchera le conduit d'être écrasé (sur certains modèles).
- Gardez les zones avoisinantes et adjacentes de l'orifice d'évacuation libres de toute accumulation de charpie, poussière et saleté.

Conduit d'évacuation :

- 1 L'air des sècheuses **DOIT** être évacué à l'extérieur pour empêcher que de grandes quantités d'humidité et de charpie soient envoyées dans la pièce.
- 2 N'utilisez qu'un conduit métallique rigide de 10,2 cm (4 po) de diamètre à l'intérieur de la sècheuse, et n'utilisez qu'un raccord homologué UL entre le conduit de la sècheuse et celui de la résidence. **L'UTILISATION D'UN CONDUIT EN PLASTIQUE OU FABRIQUÉ AVEC TOUT AUTRE MATÉRIAU COMBUSTIBLE PEUT CAUSER UN INCENDIE. UN CONDUIT PERFORÉ PEUT PROVOQUER UN INCENDIE S'IL S'AFFAÏSSÉ OU DEVIENT OBSTRUÉ PENDANT L'UTILISATION OU L'INSTALLATION.**

Pour des détails complets, suivez les Instructions d'installation.

MESURES DE SÉCURITÉ IMPORTANTES. LISEZ D'ABORD TOUTES LES DIRECTIVES.

⚠ AVERTISSEMENT!



AUTOUR DE VOTRE SÈCHEUSE

- Conservez la zone sous et autour de vos appareils libre de tous matériaux combustibles (charpies, papiers, chiffons, etc.), essence, produits chimiques et autres gaz et liquides inflammables.
- Gardez le sol propre et sec à proximité de vos électroménagers afin de ne pas glisser.
- Il faut exercer une étroite surveillance lorsque vous faites fonctionner cet appareil en présence d'enfants. Ne les laissez pas jouer sur, avec ou dans cet appareil ou dans tout autre appareil.
- Gardez tous les produits pour la lessive (comme les détergents, les javellisants, etc.) hors de la portée des enfants, de préférence dans une armoire fermée à clef. Suivez toutes les mises en garde sur les étiquettes pour éviter des blessures.
- Ne montez jamais sur le dessus de la sècheuse.



LORSQUE VOUS UTILISEZ LA SÈCHEUSE

- Ne vous penchez jamais dans la sècheuse pendant que le tambour tourne. Avant de charger ou de décharger la sècheuse ou d'y ajouter des vêtements, attendez que le tambour se soit complètement arrêté.
- Avant chaque séchage, nettoyez le filtre à charpie afin de prévenir l'accumulation de charpie à l'intérieur de la sècheuse ou dans la pièce.
NE FAITES PAS FONCTIONNER LA SÈCHEUSE SANS LE FILTRE À CHARPIE.
- Ne lavez pas ou ne faites pas sécher des articles qui ont été lavés avec des produits combustibles ou explosifs, ou qui ont été trempés dans ces produits ou qui en sont tachés (cire, peinture, huile, essence, dégraissants, solvants pour le nettoyage à sec, kérosène, etc.). Ces substances émettent des vapeurs qui peuvent prendre feu ou exploser. Ne versez pas ces substances dans l'eau de la laveuse. N'utilisez pas ces substances à proximité de votre laveuse ou de votre sècheuse pendant qu'elles fonctionnent.
- Ne rangez pas dans votre sècheuse des articles qui ont été en contact avec des huiles de cuisson; ceux-ci peuvent provoquer une réaction chimique susceptible de faire s'enflammer vos vêtements
- Il ne faut pas mettre dans la sècheuse, ou à proximité de celle-ci, tout article ayant été utilisé avec un solvant dégraissant ou contenant une substance inflammable (comme des chiffons de nettoyage, des vadrouilles, des serviettes utilisées dans les salons de coiffure, etc.), à moins qu'ils aient été débarrassés de toute trace et de toute vapeur de substance inflammable. On utilise à la maison de nombreux produits inflammables : acétone, alcool dénaturé, essence, kérosène, nettoyants ménagers, détachants, térébenthine, cire, décapants, contenant du distillat de pétrole.
- La lessive peut atténuer les propriétés ignifugeantes des tissus. Pour éviter cette situation, suivez à la lettre les directives données par le fabricant du vêtement.
- Ne faites pas sécher des articles contenant du caoutchouc, du plastique, de la mousse ou autres matériaux similaires (comme des soutiens-gorge préformés, des chaussures de tennis, des caoutchoucs, des tapis de bain, des carpettes, des bavoirs, des culottes de bébé, des sacs de plastique, des oreillers, etc.), car ces matériaux peuvent fondre ou brûler. De plus, dans certaines circonstances, certains matériaux de caoutchouc peuvent causer un incendie par combustion spontanée lorsqu'ils sont chauffés.
- Ne rangez pas des articles qui peuvent fondre ou brûler, comme du plastique, du papier, ou des vêtements sur le dessus de la sècheuse pendant qu'elle fonctionne.
- Les vêtements portant la mention «Faire sécher loin de la chaleur» ou «Ne pas faire sécher par culbutage» (comme les gilets de sauvetage contenant du Kapok) ne doivent pas être séchés dans votre sècheuse.
- Ne faites pas sécher d'articles en fibre de verre dans votre sècheuse. Les particules qui restent dans la sècheuse et qui pourraient être recueillies par les vêtements lors d'un séchage subséquent risquent de causer des irritations cutanées.
- Pour réduire les risques de chocs électriques, débranchez toujours l'appareil ou débranchez la sècheuse au panneau de distribution en enlevant le fusible ou en déclenchant le disjoncteur avant de le réparer ou de le nettoyer (sauf pour enlever et nettoyer le filtre à charpie).
REMARQUE : Un appui sur **START (mise en marche)**, **PAUSE (pause)** ou **POWER (alimentation)** **NE** débranche **PAS** l'appareil de l'alimentation électrique.

⚠ AVERTISSEMENT!**LORSQUE VOUS UTILISEZ LA SÈCHEUSE (suite)**

- Ne faites pas fonctionner l'appareil s'il est endommagé, défectueux, partiellement démonté ou si des pièces sont manquantes ou défectueuses, ou si le cordon d'alimentation ou la fiche sont endommagés.
- L'intérieur de l'appareil et le raccord du conduit d'évacuation à l'intérieur de la sècheuse doivent être nettoyés une fois par an par une personne qualifiée. Voyez la section *Utiliser et charger la sècheuse*.
- Si votre sècheuse fonctionne au gaz, elle est pourvue d'un système d'allumage électrique automatique et ne possède pas de veilleuse. **N'ESSAYEZ PAS DE L'ALLUMER AVEC UNE ALLUMETTE.** Vous risquez de vous brûler si vous approchez votre main du brûleur et que le dispositif d'allumage automatique s'allume.
- Ne pas ouvrir la porte de la sècheuse durant les cycles de vapeur. La vapeur est très chaude, et continuera de s'échapper du port plusieurs secondes après l'ouverture de la porte. Ne pas toucher le port de vapeur après un cycle de vapeur.
- Ne pas utiliser le cycle vapeur avec des items tel que : laine, cuir, soie, lingerie, produits mousse ou couvertures électriques.
- N'utilisez pas la chaleur pour sécher des articles renfermant du caoutchouc mousse ou à des matériaux similaires comme le caoutchouc texturé.
- Ne mettez pas d'articles exposés aux huiles de cuisson dans votre sècheuse. Les articles souillés d'huiles de cuisson peuvent provoquer une réaction chimique et les vêtements de la charge pourraient prendre feu.
- Il est possible que vous désiriez assouplir votre lessive ou réduire le collement électrostatique en utilisant un assouplissant textile dans votre sècheuse ou un produit antistatique. Nous vous recommandons d'utiliser un assouplissant liquide au cours du programme de lavage, conformément aux directives du fabricant de ce type de produit, ou de faire l'essai d'un assouplissant textile pour la sècheuse, pour lequel le fabricant certifie sur l'emballage que son produit peut être utilisé en toute sécurité dans la sècheuse. La responsabilité des problèmes de rendement ou de fonctionnement qui ne sont pas couverts par la garantie de cet appareil et sont attribuables à l'utilisation de ces produits relève du fabricant de ces produits.

**LORSQUE LA SÈCHEUSE N'EST PAS UTILISÉE**

- Lorsque vous débranchez l'appareil, tirez sur la fiche et non pas sur le cordon afin d'éviter d'endommager le cordon d'alimentation. Installez le cordon de sorte que personne ne marche ou ne trébuche dessus, ou qu'il ne soit pas exposé à des dommages.
- Ne réparez ou ne remplacez aucune pièce de cet appareil, à moins que cela ne soit spécifiquement recommandé dans le présent manuel ou dans des directives de réparation que vous comprenez et que vous êtes en mesure de suivre.
- Avant de jeter ou d'entreposer une sècheuse, enlevez toujours la porte afin d'empêcher les enfants de se cacher à l'intérieur.
- Ne trafiquez pas les commandes de l'appareil.

**VEUILLEZ LIRE ET SUIVRE ATTENTIVEMENT CES MESURES DE SÉCURITÉ.****CONSERVEZ CES DIRECTIVES**

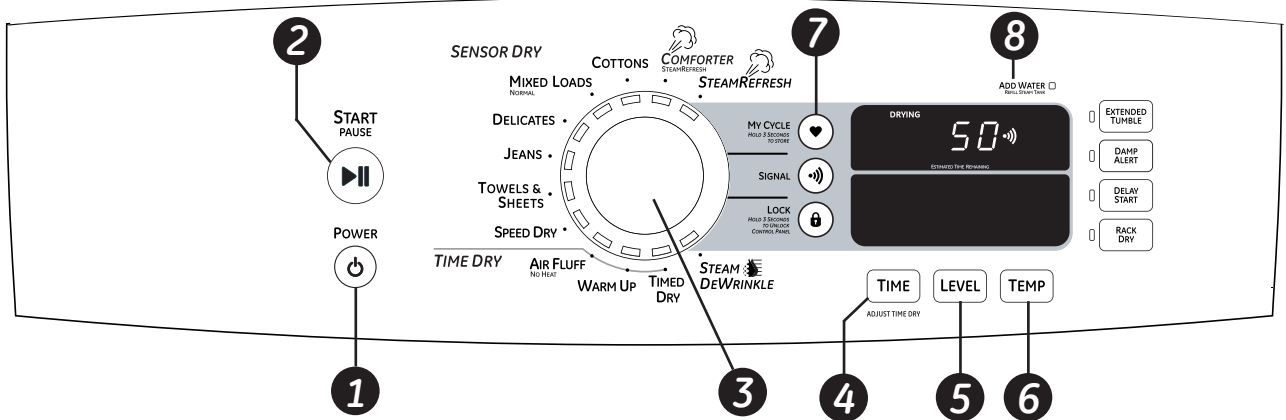
Le panneau de contrôle de votre sècheuse.

⚠ AVERTISSEMENT! Afin de réduire le risque d'incendie, de décharge électrique, ou de blessure, lisez les MESURES DE SÉCURITÉ IMPORTANTES avant de mettre cet appareil en marche.

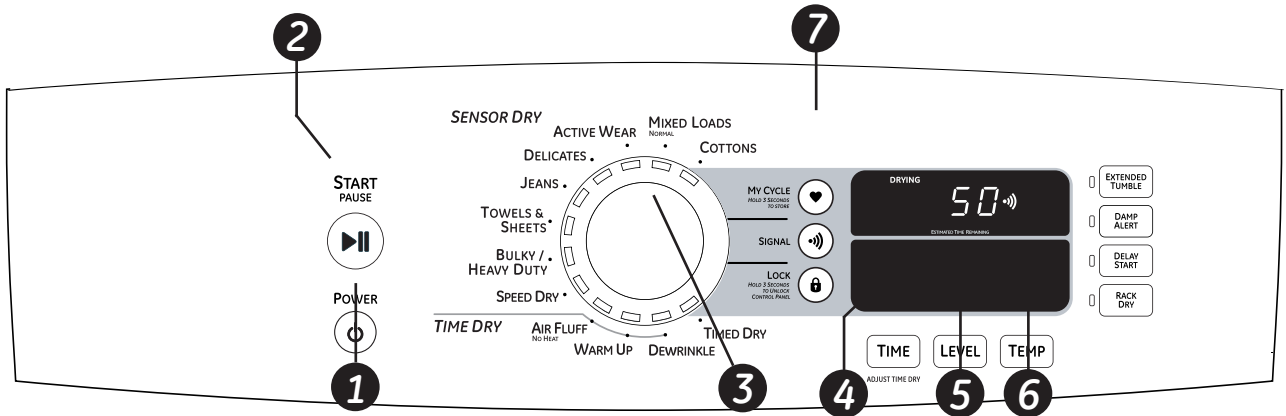
Panneau de contrôle

Dans ce manuel, les caractéristiques et l'apparence peuvent varier selon votre modèle.

*Pour les modèles :PTDS850 et PTDS855



*Pour les modèles :PTDN800 et PTDN805



- 1 Power (alimentation)**
Un appui sur cette touche « réveille » l'écran. Si l'écran est actif, appuyez sur cette touche pour mettre la sècheuse en mode d'attente.

REMARQUE : Un appui sur **POWER (alimentation)** ne débranche pas l'appareil de l'alimentation électrique.

- 2 START (mise en marche)**
Appuyez sur cette touche pour lancer un cycle de séchage. Si la sècheuse est déjà en fonctionnement, un appui sur cette touche interrompt le cycle en cours. Appuyez encore sur la touche pour reprendre le cycle de séchage.

- 3 Cycles (cycles)**
Le cycle contrôle la durée et la vitesse du culbutage du processus de séchage. Le tableau ci-dessous vous aidera à trouver le bon réglage de séchage en fonction de votre brassée.

REMARQUE : Steam et heure cycles sec ne sens pas le niveau de séchage des vêtements. Ajuster le temps et la chaleur dans. Afin d'atteindre le niveau désiré de la sécheresse à gauche dans vos vêtements à la fin d'un cycle.

Cycles à capteur

STEAM REFRESH (RAFRAÎCHISSEMENT à la vapeur) Pour les vêtements secs légèrement froissés. Rafraîchit les vêtements en atténuant les odeurs et défroisse entre 1 et 5 articles. Redonne vie aux vêtements qui ont été entreposés pendant de longues périodes

COMFORTOR STEAM REFRESH (Rafraîchissement à la vapeur de couettes) Pour rafraîchir les couettes et les draps à l'aide d'un programme à la valeur pour atténuer les odeurs.

N'utilisez pas ce programme avec des articles délicats.

STEAM DEWRINKLE (Défroissage à la vapeur) Pour défroisser entre 1 et 5 articles. Atténue considérablement les faux plis des vêtements. Idéal pour les articles laissés dans la sècheuse pendant une longue période.

LES PROGRAMMES DE DÉTECTION

COTTONS (COTONS) Pour les cotons et la plupart des articles en lin.

MIXED LOAD (charge mixte) Pour les brassées constituées de cotons et de polymères mélangés.

DELICATES (délicats) Pour la lingerie et les tissus délicats.

JEANS Pour les jeans. Pour modifier le niveau d'humidité résiduel désiré des jeans à la fin du programme, appuyez sur la touche LEVEL.

TOWELS & SHEETS (Serviettes et draps) Pour les serviettes et les draps.

SPEED DRY (séchage rapide) Pour les petites brassées qui doivent être séchées rapidement, comme les tenues de sport ou les uniformes d'école. Ce cycle peut aussi être utilisé si le cycle précédent a laissé quelques articles encore humides, comme des cols ou des ceintures.

ACTIVE WEAR (Vêtements sportifs) Pour les vêtements portés lors d'activités sportives ou physiques et quelques vêtements prêt-à-porter. Également pour tissus avec enduits technologiques modernes et fibres élastiques comme l'élasthanne.

Bulk/Heavy Duty Literie/Gros articles) Pour les articles de literie et volumineux comme les serviettes, draps et carpettes.

Programmes de séchage minutés

AIR FLUFF (Duvetage) Utilisez ce programme pour faire culbuter les articles sans chaleur.

WARM UP (Réchauffage) Utilisez ce programme pour faire réchauffer les vêtements pendant 10 minutes.

TIMED DRY (Séchage minuté) Réglez manuellement la durée et la température de séchage désirées.

DÉFROISSAGE un cycle rapide pour culbuter les articles nécessitant un défroissage.

My Cycle (mes cycle) (sur certains modèles)

MY CYCLE (mes cycle) Appuyez sur cette touche pour créer, modifier ou utiliser des cycles de séchage personnalisés.

Le panneau de contrôle de votre sècheuse.

- 4 Time Dry (séchage minuté)**
 Cette commande permet de définir son propre temps de séchage. La fonction **TIME DRY (séchage minuté)** est aussi recommandée pour les petites brassées.

Pour utiliser TIME DRY (séchage minuté) :

1. Tournez le sélecteur de programme à TIME DRY.
2. Sélectionnez la durée de séchage en appuyant sur la touche TIME. Vous pouvez augmenter la durée par incréments de 10 minutes jusqu'à un maximum de 1 heure 40 minutes. Chaque fois que vous appuyez sur la touche TIME, vous verrez la durée affichée à la partie supérieure de l'écran d'affichage augmenter par incréments de 10 minutes. La partie supérieure de l'écran affiche la durée de séchage réelle. La partie inférieure affiche la plage de la durée de séchage. P. ex. lorsque l'écran inférieur affiche «50 - 60», l'écran supérieur affiche «:50». Si vous appuyez encore une fois sur la touche TIME, l'écran inférieur affiche toujours «50 - 60», mais l'écran supérieur affiche maintenant «:60». La durée de séchage réglée est de 60 minutes.
3. Sélectionnez la température en appuyant sur la touche **TEMP (température)**.
4. Fermez la porte.
5. Appuyez sur la touche **START/PAUSE (mise en marche/pause)**.

- 5 Dry Level (niveau de séchage)**
 Le capteur contrôle en permanence la quantité d'humidité de la brassée. Lorsque l'humidité de votre linge atteint le niveau de séchage sélectionné, la sècheuse s'arrête.

EXTRA DRY (Extra-sec) Pour les tissus lourds.

MORE DRY (plus sec) Pour les types de tissus lourds ou mélangés.

NORMAL (normal) Pour un niveau de séchage normal adapté à la plupart des brassées. C'est le cycle recommandé pour un fonctionnement en économie d'énergie.

LESS DRY (moins sec) Pour les tissus plus légers (idéal pour le repassage).

DAMP DRY (sec humide) Pour laisser les articles partiellement humides.

6 (TEMPÉRATURE)

TEMP

Vous pouvez modifier la température de votre cycle de séchage.

ANTI-BACTERIAL (Antibactérien) Cette option ne peut être utilisée qu'avec les programmes MIXED LOAD, TOWELS AND SHEETS et JEANS. Elle permet d'éliminer jusqu'à 99,9 % de certains types de bactéries. Le processus antibactérien consiste à utiliser une chaleur élevée au cours d'une partie du programme de séchage. Lorsque cette option est sélectionnée, le niveau de séchage EXTRA DRY est automatiquement réglé.

N'utilisez pas ce programme avec les articles délicats.

*Le réglage de température du programme ANTI-BACTERIAL est certifié conforme au protocole P154 – «Sanitization Performance of Residential Clothes Dryers» – de la NSF International (anciennement la National Sanitation Foundation).



NSF Protocol P154
 Sanitization Performance of
 Residential Clothes Dryers

HIGH (haute) Pour les cotons normaux à lourds.

MEDIUM HIGH (moyenne haute) Pour les cotons normaux.

MEDIUM (moyenne) Pour les synthétiques, les mélanges et les articles étiquetés sans repassage.

LOW (basse) Pour les tissus délicats, synthétiques et les articles étiquetés *Tumble Dry Low (séchage par culbutage à basse température)*.

EXTRA LOW (extra basse) Pour la lingerie et les tissus délicats.

Options de cycle.

REMARQUE : Certaines caractéristiques peuvent ne pas être offertes sur tous les modèles de sècheuses. www.electromenagersqe.ca

7 My Cycle (mes cycle)

Configurez votre propre combinaison de réglages et enregistrez-la ici pour ensuite la lancer d'une touche. Cette configuration personnalisée peut être définie pendant qu'un cycle est en cours.

Pour enregistrer une combinaison de réglage MY CYCLE (mes cycles) :

1. Sélectionnez votre cycle de séchage.
2. Modifiez les réglages **TEMP (température de séchage)** et **DRY LEVEL (niveau de séchage)** selon votre convenance.
3. Sélectionnez n'importe quelles **OPTIONS (options)** de séchage souhaitées.
4. Appuyez et tenez enfoncée la  touche pendant trois secondes pour enregistrer votre sélection. Un bip retentit et la touche s'allume.

Pour lancer votre combinaison MY CYCLE (mes cycles) enregistrée :

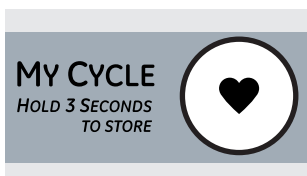
Appuyez sur la touche **MY CYCLES (mes cycles)** avant de sécher une brassée.

Pour modifier votre combinaison MY CYCLE (mes cycles) enregistrée :

Suivez les étapes 1 à 4 dans la section « **Pour enregistrer une combinaison de réglage MY CYCLE (mes cycles)** ».

8 Add Water (Ajouter de l'eau)

Lorsque ce voyant s'allume, il signifie que le niveau d'eau dans votre réservoir pour la vapeur est faible et qu'il faut y ajouter de l'eau. Veuillez suivre les directives données à la page 11.



My Cycle (mes cycle)

Pour enregistrer un cycle personnalisé, configurez les paramètres souhaités et tenez enfoncée la touche **MY CYCLE (mes cycles)** pendant 3 secondes. Un bip retentit pour indiquer que le cycle a été enregistré.

Pour utiliser votre cycle personnalisé, appuyez sur la touche **MY CYCLE (mes cycles)** avant de sécher une brassée.

Pour modifier le cycle enregistré, configurez les paramètres souhaités et tenez enfoncée la touche **MY CYCLE (mes cycles)** pendant 3 secondes.

Consultez la page 8 pour en savoir plus.

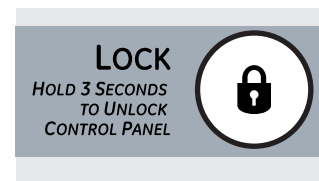


Signal (alerte)

Cette fonction vous prévient que le cycle est terminé. Le linge doit avoir été sorti lorsque l'alarme sonore s'arrête, afin d'éviter la formation de plis.

Appuyez sur la touche **SIGNAL (alerte)** pour sélectionner un volume fort ou faible, ou désactiver l'alarme sonore.

Un bip continuera à retentir toutes les 2 minutes (un maximum de 4 fois).



Serrure

Vous pouvez verrouiller les contrôles pour éviter toute sélections d'être faite. Ou vous pouvez verrouiller les contrôles après avoir commencé un cycle.

enfants ne peuvent pas accidentellement en marche la laveuse en appuyant sur les touches avec cette option sélectionné. Pour verrouiller les commandes de la laveuse, appuyez sur la touche LOCK. Pour

déverrouiller les commandes, appuyez continuellement sur la touche LOCK pendant 3 secondes.

Lorsque la fonction de verrouillage est activé, le rouge icône représentant un cadenas apparaît dans l'écran supérieur

Même si les commandes sont verrouillées, la touche **POWER (ALIMENTATION)** est encore active au cas où vous auriez besoin d'éteindre l'unité.

Options de cycle.

REMARQUE : Certaines caractéristiques peuvent ne pas être offertes sur tous les modèles de sècheuses.



Estimated Time Remaining (temps restant estimé)

Cet écran affiche le temps restant approximatif jusqu'à la fin du cycle.

Lorsque le cycle démarre, la durée totale approximative du cycle s'affiche à l'écran. Puis, les lumières "font la course" à l'écran. Cela signifie que la sècheuse contrôle en

permanence la quantité d'humidité de la brassée. Les lumières continuent jusqu'à ce que la sècheuse détecte un faible niveau d'humidité dans la brassée. À ce moment, la sècheuse calcule et affiche à l'écran le temps restant estimé.



EXTENDED TUMBLE

Extended Tumble (Culbutage prolongé)

Cette option culbutera les vêtements brièvement à quelques minutes d'intervalle suivant la fin du cycle. Le sèche-linge culbutera les vêtements sans chaleur pendant 10 secondes puis s'arrêtera pendant 5 minutes. Cette option reste active pendant 3 heures après la fin du séchage. La sècheuse est en mode **EXTENDED TUMBLE** (culbutage prolongé) quand l'affichage **ESTIMATED CYCLE TIME** (temps de cycle estimé) est illuminé dans une façon circulaire.

Le voyant à côté de la touche s'allume lorsque l'option **EXTENDED TUMBLE** est en fonction.

REMARQUE : Il est normal que le tambour s'arrête à intervalles réguliers pendant l'**EXTENDED TUMBLE** (culbutage prolongé).



DAMP ALERT

Damp Alert (Alerte d'humidité)

Cette option fait sonner la sècheuse quand les vêtements ont été séchés jusqu'à un certain niveau d'humidité. Retirez les articles que vous souhaitez étendre pour sécher. **L'ALERTE DU NIVEAU D'HUMIDITÉ** (damp alert) retentira uniquement quand cette option est sélectionnée (le cycle de séchage sec se poursuit).

Le fait de retirer les vêtements et les étendre quand ils sont humides peut diminuer le besoin de repasser certains articles.

Le voyant à côté de la touche s'allume lorsque l'option **DAMP ALERT** est en fonction.

REMARQUE : Uniquement pour les sélections de séchage **LESS DRY**(MOINS SEC), **DRY** (sec), **MORE DRY** (plus sec) et **EXTRA DRY** (très sec).



DELAY START

Delay Start (Mise en marche différée)

Utilisez pour retarder le démarrage de votre sècheuse.

1. Sélectionnez votre cycle de séchage et toutes les options.
2. Appuyez sur la touche **DELAY START (MISE EN MARCHÉ DIFFÉRÉE)**. Vous pouvez modifier le délai par incrément d'1 heure (jusqu'à 18 heures) chaque fois que vous appuyez sur la touche **DELAY START (MISE EN MARCHÉ DIFFÉRÉE)**. Arrêtez d'appuyer sur la touche lorsque le délai requis s'affiche.
3. Appuyez sur la touche **START/PAUSE (MISE EN MARCHÉ/PAUSE)** pour lancer le compte à rebours.

Le compte à rebours sera indiqué sur l'affichage « **ESTIMATED TIME REMAINING** » (temps restant estimé).

Le voyant à côté de la touche s'allume lorsque l'option **DELAY START** est en fonction.

REMARQUES :

■ Si la porte est ouverte alors que la sècheuse est en mode **DELAY (MISE EN MARCHÉ DIFFÉRÉE)**, le compte à rebours va se poursuivre. Si la porte n'est pas fermée et que le compte à rebours expire, le cycle ne redémarrera que si la porte est fermée et que le bouton **START/PAUSE (MISE EN MARCHÉ/PAUSE)** est enfoncé.

■ Vous pouvez retarder le démarrage d'un cycle de séchage jusqu'à 24 heures.

Le voyant dans la touche sera allumé lorsque **DELAY START (MISE EN MARCHÉ DIFFÉRÉE)** est sélectionné.



RACK DRY

Rack Dry (Séchage à l'aide de la grille)

Utilisez l'option **RACK DRY** pour faire sécher des chaussures et des chapeaux.

1. Installez la grille de séchage (reportez-vous à la page 11 pour connaître l'emplacement approprié).
2. Placez l'article au centre de la grille, et fermez la porte.
3. Appuyez sur la touche **RACK DRY**.
4. Réglez la durée à l'aide de la touche **TIME** (reportez-vous à la page 8 pour connaître les directives).
5. Appuyez sur la touche **START/PAUSE**.

Le voyant à côté de la touche s'allume lorsque l'option **RACK DRY** est en fonction.

REMARQUES :

■ N'utilisez pas la grille de séchage sans avoir sélectionné l'option **RACK DRY**.

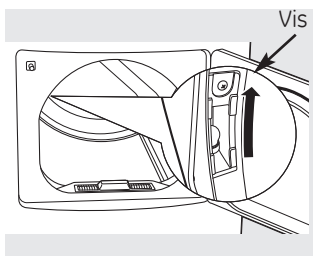
■ Ne modifiez pas le réglage effectué par le programme de séchage minuté.

■ Lorsque vous choisissez l'option **RACK DRY**, il n'est pas possible de sélectionner un autre programme. Un signal sonore se fait entendre si vous tournez le bouton du sélecteur de programme.

Surveillance du conduit



Le système de surveillance automatique du conduit détecte les obstructions dans le conduit et vous en avertit. Un conduit obstrué peut affecter le rendement de la sècheuse en réduisant la circulation d'air dans l'appareil. Si le message «CLg» (obstruction) s'affiche à l'écran, c'est le moment de nettoyer votre conduit d'évacuation afin d'améliorer l'efficacité et réduire la durée du séchage.

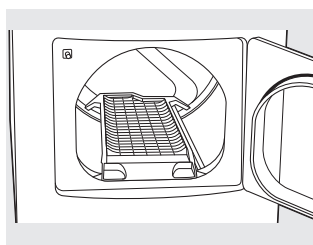


Remplacement de la lampe de tambour

Avant de changer la lampe de tambour, assurez-vous de débrancher le cordon d'alimentation de la sècheuse ou de déconnecter la sècheuse du réseau domestique de distribution électrique en enlevant le fusible ou en désarmant le disjoncteur.

La lampe de tambour est située en haut à gauche du châssis de la porte.

- 1 Enlevez la vis de fixation de l'écran de protection de la lampe.
- 2 Faites glisser l'écran de protection vers le haut et enlevez-le.
- 3 Enlevez l'ampoule et remplacez-la par une ampoule de 15 watts, 120 volts, à petit culot.
- 4 Remplacez l'écran de protection de la lampe avec la vis.



Utilisation de la grille de séchage

Une grille de séchage portable peut être utilisée pour sécher des articles délicats comme des tricots lavables.

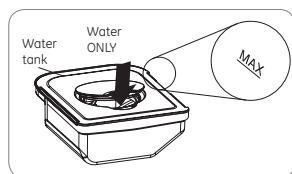
Accrochez la grille sur le filtre à charpie de telle manière qu'elle s'étende dans le tambour de séchage.

uniquement avec le cycle **TIME DRY (séchage minuté)**. Elle est aussi fortement recommandée pour le séchage des chaussures de tennis.

- N'utilisez pas cette grille de séchage si d'autres articles sont présents dans la sècheuse.

REMARQUE :

- La grille de séchage doit être utilisée



Utilisation des programmes à la vapeur Ajout d'eau

Avant d'utiliser un programme à la vapeur, il faut remplir le réservoir d'eau jusqu'au repère MAX. Sinon, le voyant ADD WATER clignotera. Assurez-vous que le réservoir d'eau est rempli d'eau et que la cartouche est bien installée. Éteignez la sècheuse puis mettez en marche le programme à la vapeur.

1 Éteignez la sècheuse en appuyant sur la touche POWER.

2. Ouvrez le couvercle.

3. Déplacez le levier pour ouvrir le mécanisme.

4. Soulevez le réservoir d'eau et ouvrez le couvercle du réservoir.

5. Remplissez le réservoir d'eau jusqu'au repère MAX.

6. Remettez le réservoir d'eau en place dans le compartiment et déplacez le levier pour fermer le mécanisme.

7. Fermez le couvercle, appuyez sur la touche POWER et sélectionnez le programme désiré.

REMARQUES

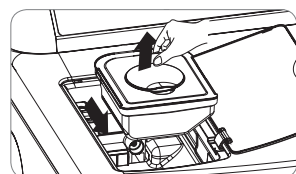
· Utilisez de l'eau seulement. Ne remplissez pas le réservoir avec d'autres types de liquide, des produits de rinçage ou des détergents liquides.

· Avant de déplacer la sècheuse, assurez-vous que le réservoir d'eau est vide.

· N'utilisez pas d'eau distillée : le détecteur de niveau d'eau du dispositif ne fonctionnera pas.

· Faites attention lorsque vous remplissez le réservoir d'eau afin d'éviter les débordements.

· Essuyez l'eau renversée autour du réservoir d'eau et dans le compartiment avant de faire fonctionner la sècheuse.



Chargement et utilisation de la sècheuse.

Suivez toujours l'étiquette du fabricant de tissus pour laver.

Conseils pour le tri et le chargement

En règle générale, lorsque les vêtements sont correctement triés pour le lavage, ils le sont aussi pour le séchage. Essayez aussi de trier les articles en fonction de leur taille. Par exemple, ne séchez pas un drap avec des chaussettes ou d'autres petits articles.

N'ajoutez pas votre feuille d'assouplissant textile lorsque la brassée a commencé à chauffer, car elle risque de provoquer des taches d'assouplissant. Les feuilles d'assouplissant de tissus Bounce® pour sècheuses ont été approuvées pour toutes les sècheuses GE si elles sont utilisées conformément aux instructions du fabricant.













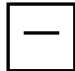
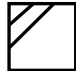
Ne surchargez pas la sècheuse car c'est une perte d'énergie et cela peut provoquer des faux-plis.

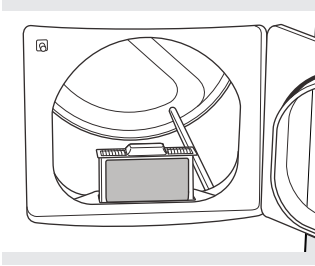
Ne faites pas sécher les articles suivants dans la sècheuse : articles en fibre de verre, lainages, articles recouverts de caoutchouc, plastiques, articles dotés d'une garniture en plastique, articles remplis de mousse de caoutchouc.

Étiquettes d'entretien de tissu

Ci-dessous figurent les « symboles » des étiquettes d'entretien de tissu qui concernent le linge à sécher.

Étiquettes de séchage

Séchage par culbutage	 Séchage	 Normal	 Sans repassage/ Infroissable	 Doux/ Délicat	 Ne pas sécher par culbutage	 Ne pas sécher (utilisé avec ne pas laver)
Réglage de chaleur	 Haut	 Moyen	 Bas	 Pas de chaleur/air		
Instructions spéciales	 Séchage en ligne/ Séchage par suspension	 Séchage par égouttage	 Séchage à plat	 A l'ombre		



Entretien et nettoyage de la sècheuse

Intérieur de la sècheuse et conduit :

L'intérieur de la machine et du conduit d'évacuation doit être nettoyé une fois par an par du personnel de service qualifié.

Extérieur : Essuyez les produits de lessive renversés, et enlevez la poussière avec un linge humide. Le fini et le tableau de commande de la sècheuse peuvent être endommagés par certains produits de traitement préliminaire et détachants. Appliquez ces produits loin de la sècheuse. Vous pouvez ensuite laver et faire sécher les vêtements normalement. Les dommages causés à votre sècheuse par ces produits ne sont pas couverts par votre garantie.

Ne touchez pas la surface ou l'écran avec des objets pointus.

Filtre à charpie : Nettoyez le filtre à charpie avant chaque utilisation. Sortez-le en le tirant vers le haut. Traversez le filtre avec vos doigts. Un amas cireux peut se former sur le filtre à charpie à cause de l'utilisation des feuilles d'assouplissant textile. Pour éliminer cet amas, lavez le filtre à l'eau chaude savonneuse. Séchez-le soigneusement et remplacez-le. N'utilisez pas la sècheuse sans le filtre à charpie en place.

Aspirez la charpie de la zone du filtre à charpie si vous remarquez une modification des performances de la sècheuse.

Acier inoxydable : Pour nettoyer les surfaces en acier inoxydable, utilisez un chiffon humidifié avec un nettoyant doux et non abrasif, adapté aux surfaces en acier inoxydable. Éliminez les résidus de nettoyant, puis séchez avec un chiffon propre.

L'acier inoxydable utilisé pour fabriquer le tambour de séchage fournit la plus haute fiabilité disponible dans une sècheuse GE. Si le tambour de séchage est rayé ou ébréché pendant une utilisation normale, le tambour ne rouillera pas ou ne se corrodera pas. Ces défauts de surface n'affecteront pas le fonctionnement ou la durabilité du tambour.

Hotte d'évacuation : Vérifiez avec un miroir que les volets à l'intérieur de la hotte se déplacent librement lors du fonctionnement. Assurez-vous qu'aucun animal (oiseaux, insectes, etc.) ne nidifie dans le conduit ou la hotte.

Instructions d'installation

Sécheuse

PTDN800, PTDN805, PTDS850, ET PTDS855

Des questions? Appelez le 1.800.561.3344 ou Visitez notre site Web à l'adresse : www.electromenagersge.ca

AVANT DE COMMENCER

Lisez ces instructions entièrement et soigneusement.

- **IMPORTANT** – Conservez ces instructions pour l'inspecteur local.
- **IMPORTANT** – Observez tous les codes et les ordonnances en vigueur.
- Installez la sécheuse conformément à la réglementation locale et aux consignes du fabricant.
- **Note à l'installateur** – Assurez-vous de laisser ces instructions au consommateur.
- **Note au consommateur** – Conservez ces instructions à titre de référence.
- L'installation de la sécheuse doit être effectuée par un technicien qualifié.
- L'air de cette sécheuse **doit** être évacué vers l'extérieur.
- Avant d'enlever ou de jeter une ancienne sécheuse, démontez la porte de la sécheuse.
- Les informations de service et le diagramme de câblage sont situés dans la console de commande.
- N'autorisez pas les enfants à monter ou à entrer dans la machine. Une surveillance rapprochée est nécessaire lorsque la machine est utilisée à proximité d'enfants.
- L'installateur est responsable de bien installer cet appareil.
- Toute panne de produit due à une mauvaise installation n'est pas couverte par la garantie.
- Afin de réduire le risque de blessure importante ou de décès, suivez toutes les consignes d'installation.

POUR VOTRE SÉCURITÉ :

AVERTISSEMENT

- Utilisez uniquement des conduits métalliques souples ou rigides, d'un diamètre de 10,2 cm (4 pouces), pour l'évacuation à l'extérieur. N'utilisez jamais de conduit en plastique ou d'un autre matériau combustible, facile à percer.
- Cet appareil doit être convenablement mis à la terre et installé de la façon décrite aux Instructions d'installation.
- N'installez pas ou n'entreposez pas cet appareil dans un endroit où il sera exposé à l'eau/ la température extérieure.
- Le Code national du gaz des É.-U. restreint l'installation d'appareils utilisant le gaz dans les garages. Ils doivent se trouver à 45,7 cm (18 po) du sol et protégés des véhicules par une cloison.
- Installez la sécheuse dans un endroit où la température est supérieure à 10°C (50°F) pour un bon fonctionnement du système de contrôle de la sécheuse.

POUR LES MODÈLES À GAZ UNIQUEMENT :

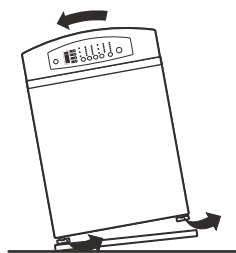
REMARQUE : L'installation et la maintenance de cette sécheuse doivent être réalisées par un installateur qualifié, une agence de service ou le fournisseur de gaz.

Instructions d'installation

DÉBALLAGE DE VOTRE SÉCHEUSE

Inclinez la sècheuse latéralement et enlevez les coussinets d'expédition en mousse en les poussant sur les côtés et en les détachant des pattes de la sècheuse. Assurez-vous d'enlever toutes les pièces en mousse autour des pattes.

Enlevez le sac contenant la grille de séchage, la documentation et le câble série.



PLACEMENT DE VOTRE SÉCHEUSE

IMPORTANT : Les sècheuses à gaz ne sont pas homologuées pour une installation dans un mobile-home.

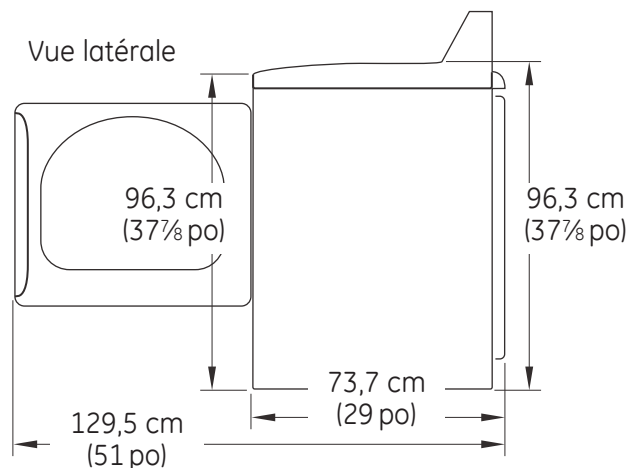
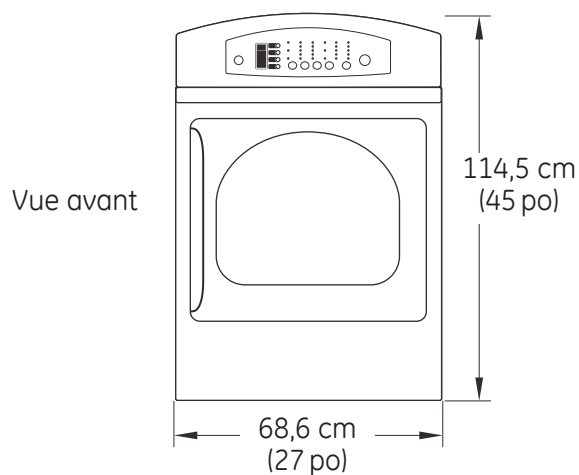
ESPACE LIBRE MINIMAL AUTRE QUE POUR UNE INSTALLATION ENCASTRÉE

L'espace libre minimal par rapport aux surfaces combustibles et pour les orifices d'aération sont les suivants :

- 0 cm (0 pouce) de chaque côté
- 2,5 cm (1 pouce) à l'avant
- 7,6 cm (3 pouces) à l'arrière

Il est **nécessaire** de prévoir des espaces libres appropriés pour le fonctionnement et l'entretien de la machine.

DIMENSIONS DE LA SÉCHEUSE



PLACEMENT DE VOTRE SÈCHEUSE (suite)

EXIGENCES RELATIVES À UNE INSTALLATION ENCASTRÉE

- Votre sècheuse est homologuée pour une installation encastrée, comme indiqué sur l'étiquette située à l'arrière de la machine.
- L'air de la sècheuse DOIT être ventilé vers l'extérieur. Consultez la section INFORMATIONS SUR L'ÉVACUATION.
- Espace libre minimal entre la sècheuse et les murs adjacents ou d'autres surfaces :
 - 0 cm (0 pouce) de chaque côté
 - 7,6 cm (3 pouces) à l'avant et à l'arrière
- L'espace libre minimal en hauteur du sol aux étagères, placards, plafonds, etc., au-dessus est de 132,1 cm (52 po).
- Les portes du placard doivent être ajourées, ou sinon ventilées, et elles doivent disposer d'au moins 387,1 cm carrés (60 pouces carrés) d'ouverture, répartis équitablement. Si le placard contient une laveuse et une sècheuse, les portes doivent disposer d'au moins 774,2 cm carrés (120 pouces carrés) d'ouverture, répartis équitablement.
- Aucun autre appareil à combustible ne doit être installé dans le même placard que la sècheuse (modèles à gaz uniquement).
- L'air du placard doit être évacué vers l'extérieur afin d'éviter la formation de poches de gaz si le tuyau d'alimentation de gaz transporte du gaz.

INSTALLATION DANS UNE SALLE DE BAIN OU UNE CHAMBRE

- L'air de la sècheuse DOIT être ventilé vers l'extérieur. Consultez la section INFORMATIONS SUR L'ÉVACUATION.
- L'installation doit être conforme aux normes locales ou, en l'absence de normes locales, avec le CODE NATIONAL DE L'ÉLECTRICITÉ, ANSI/NFPA N° 70 (pour les sècheuses électriques) ou le CODE NATIONAL DU GAZ, ANSI Z223 (pour les sècheuses à gaz).

INSTALLATION DANS UNE MAISON MOBILE OU PRÉFABRIQUÉE

- L'installation doit être conforme à la NORME DE SÉCURITÉ POUR LA CONSTRUCTION DE MAISONS FABRIQUÉES, TITRE 24, PARTIE 32-80 ou, si la norme n'est pas applicable, à la NORME NATIONALE AMÉRICAINE POUR LES MAISONS MOBILES N° 501B.
- L'air de la sècheuse DOIT être évacué vers l'extérieur avec les raccordements correctement fixés à la structure de la maison mobile. (Voyez ÉVACUATION DE LA SÈCHEUSE.)
- La ventilation NE DOIT PAS déboucher sous une maison mobile ou fabriquée.
- Le matériau du tuyau de ventilation DOIT ÊTRE LE MÉTAL.
- POUR LES MODÈLES À GAZ UNIQUEMENT : L'ensemble 14-D346-33 DOIT être utilisé pour raccorder la sècheuse à la structure.
- POUR LES MODÈLES À GAZ UNIQUEMENT : La ventilation NE DOIT PAS être raccordée à tout autre tuyau, évent ou cheminée.
- N'utilisez pas de vis à tôle ni d'autres dispositifs de serrage qui dépassent à l'intérieur de l'évent d'évacuation.
- Prévoyez une ouverture dotée d'une zone ouverte de 63 cm² (25 pouces carrés) pour l'infiltration d'air extérieur dans la pièce de la sècheuse.

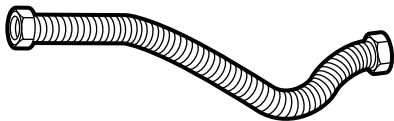
RACCORDEMENT D'UNE SÈCHEUSE À GAZ (non applicable aux sècheuses électriques)

OUTILS ET MATÉRIAUX NÉCESSAIRES POUR LE BRANCHEMENT DE L'ALIMENTATION EN GAZ

- Tournevis à tête plate (peut être nécessaire pour installer un protecteur de cordon)



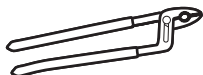
- Tuyau de raccordement souple en acier inoxydable ou en laiton avec revêtement plastique (si autorisé par les normes de construction)



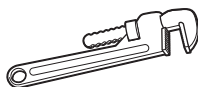
- Clés anglaises pour le tuyau flexible et le connecteur



- Pincettes réglables (pour régler les pattes de nivellement)



- Clé à pipe pour maintenir le raccord d'entrée du gaz de la sècheuse pendant la fixation du coude adaptateur



- Clés à mollette (2) pour le serrage des raccords



- Gants



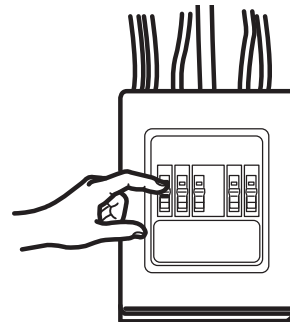
- Lunettes de protection



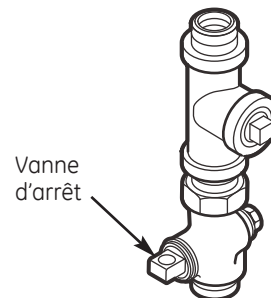
POUR VOTRE SÉCURITÉ :

⚠ AVERTISSEMENT

Avant de démarrer l'installation, désarmez le disjoncteur ou enlevez le fusible de la sècheuse du tableau électrique. Assurez-vous que le cordon d'alimentation de la sècheuse est débranché de la prise murale.



Fermez la vanne d'arrêt du gaz de la sècheuse sur la ligne d'alimentation en position OFF.



Démontez et éliminez l'ancien connecteur de gaz flexible et l'ancienne conduite.



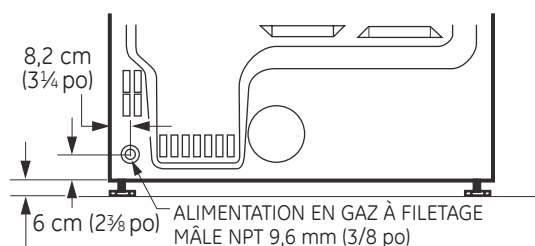
RACCORDEMENT D'UNE SÈCHEUSE À GAZ (suite)

EXIGENCES RELATIVES AU GAZ

⚠ AVERTISSEMENT

- L'installation doit être conforme aux normes et aux réglementations locales, ou sinon au CODE NATIONAL DU GAZ, ANSI Z223.
- Cette sècheuse à gaz est équipée d'un ensemble brûleur et vanne à utiliser uniquement avec du gaz naturel. Grâce au kit de conversion WE25X10014, votre agence de service locale peut transformer cette sècheuse pour une utilisation avec du gaz propane (LP). TOUTES LES TRANSFORMATIONS DOIVENT ÊTRE RÉALISÉES PAR DU PERSONNEL FORMÉ ET QUALIFIÉ, EN CONFORMITÉ AVEC LES EXIGENCES DES NORMES ET DES RÉGLEMENTATIONS LOCALES.
- La sècheuse doit être débranchée du système d'alimentation en gaz pendant tout essai de pression de cet système, avec une pression d'essai supérieure à 0,5 psi (3,4 KPa).
- La sècheuse doit être isolée du système d'alimentation en gaz en fermant la vanne d'arrêt, pendant tout essai de pression des conduites de gaz avec une pression d'essai égale ou supérieure à 0,5 psi (3,4 KPa).

RACCORDEMENT DE L'ALIMENTATION EN GAZ DE LA SÈCHEUSE



REMARQUE : Ajoutez à la dimension verticale la distance entre le fond du caisson et le sol.

ALIMENTATION EN GAZ

- Un robinet de raccordement à filetage National Pipe Taper 3,2 mm (1/8 po), accessible pour le raccordement d'une jauge de test, doit être installé immédiatement en amont du raccord d'alimentation en gaz de la sècheuse. Contactez votre service de gaz local si vous avez des questions sur l'installation d'un robinet de raccordement.
- La ligne d'alimentation doit être composée d'un tube rigide de 12,7 mm (1/2 po) et équipée d'une vanne d'arrêt à moins de 1,8 m (6 pieds) de la sècheuse et dans la même pièce.
- Utilisez un mastic d'étanchéité approprié au gaz naturel ou au gaz LP ou utilisez du ruban Teflon®.
- Raccordez le connecteur métallique souple à la sècheuse et à l'alimentation en gaz.

DANS LE COMMONWEALTH DU MASSACHUSETTS

- Ce produit doit être installé par un plombier ou un monteur d'installations au gaz licencié.
- Si vous utilisez des robinets d'arrêt du gaz à bille, ils doivent avoir une poignée en té.
- Si vous utilisez un raccord de gaz souple, il ne doit pas dépasser 1 m (3 pieds).

EXIGENCES DE L'ALIMENTATION D'EAU

Les robinets d'eau chaude et d'eau froide DOIVENT être installés à une distance d'au moins 42 po (107 cm) du boyau d'eau de la laveuse. Les robinets DOIVENT être de type boyau de jardin de 3/4 po (1,9 cm) pour que les boyaux d'arrivée puissent être branchés. La pression de l'eau DOIT être entre 10 et 120 livres par pouce carré. Votre département d'eau peut vous laisser savoir ce qu'est votre pression d'eau.

REMARQUE : Un adoucisseur d'eau est recommandé pour réduire l'accumulation de dépôt à l'intérieur du générateur de vapeur si l'alimentation d'eau de la maison est très dure.

Instructions d'installation

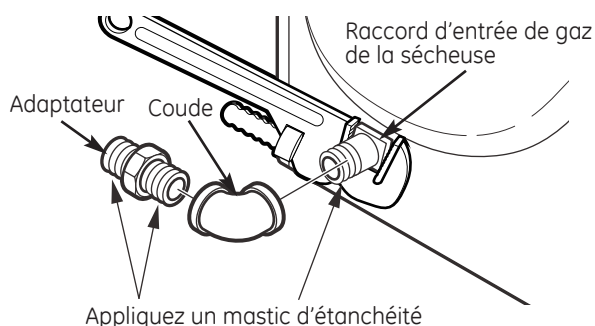
RACCORDEMENT DE LA SÉCHEUSE À L'ALIMENTATION EN GAZ

- A** Installez un coude femelle 9,6 mm (3/8 po) NPT à l'extrémité du raccord d'entrée de gaz de la sècheuse.

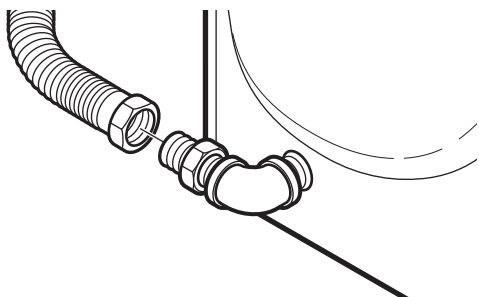
Installez un raccord adaptateur 9,6 mm (3/8 po) sur le coude femelle.

IMPORTANT : Utilisez un clé à pipe pour tenir fermement l'extrémité du raccord d'entrée de gaz de la sècheuse pour éviter de le vriller.

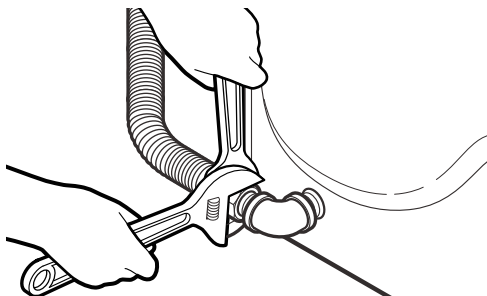
REMARQUE : Appliquez un mastic d'étanchéité ou du ruban Teflon® sur les filetages de l'adaptateur et du raccord d'entrée de gaz de la sècheuse.



- B** Fixez le connecteur de la ligne de gaz métallique souple à l'adaptateur.



- C** Serrez le raccord de la ligne de gaz souple à l'aide de deux clés à molette.

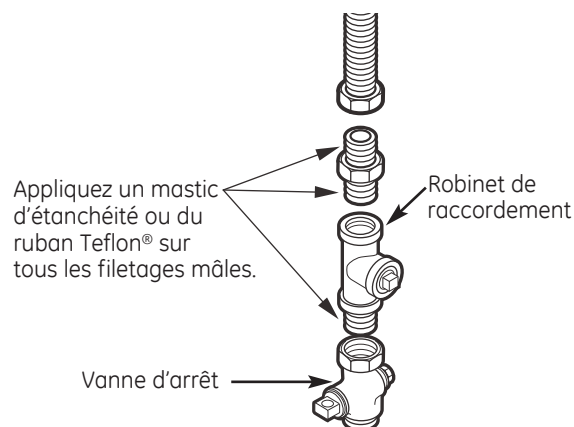


RACCORDEMENT DE LA SÉCHEUSE À L'ALIMENTATION EN GAZ (suite)

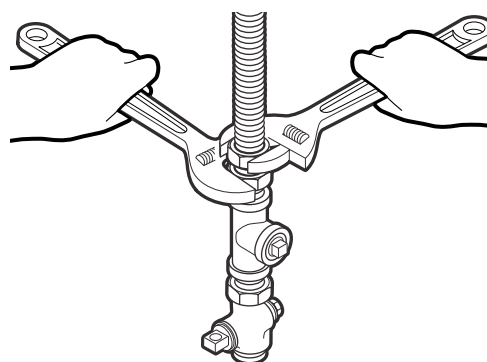
- D** Installez un robinet de raccordement 3 mm (1/8 po) NPT sur la vanne d'arrêt de la ligne de gaz de la sècheuse pour vérifier la pression d'entrée du gaz.

Installez un raccord adaptateur au robinet de raccordement.

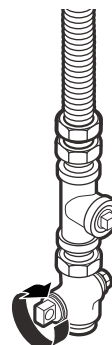
REMARQUE : Appliquez un mastic d'étanchéité ou du ruban Teflon® sur les filetages de l'adaptateur et du robinet de raccordement.



- E** Serrez tous les raccords à l'aide des deux clés à molette. **Ne serrez pas trop fort.**



- F** Ouvrez la vanne d'arrêt de gaz.



RACCORDEMENT D'UNE SÈCHEUSE À GAZ (suite)

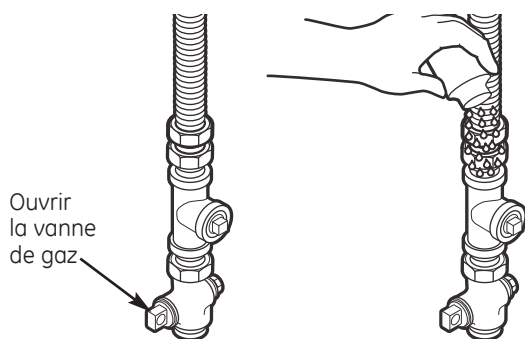
DÉTECTION DES FUITES

⚠ AVERTISSEMENT – N'utilisez jamais une flamme vive pour vérifier la présence de fuites de gaz.

Contrôlez la présence de fuites sur tous les raccords avec une solution savonneuse ou similaire.

Appliquez une solution savonneuse. La solution de détection des fuites ne doit pas contenir d'ammoniaque, ce qui pourrait endommager les raccords en laiton.

Si des fuites sont détectées, fermez la vanne, resserrez le raccord en cause et répétez la procédure de détection de fuites.



INFORMATIONS DE BRANCHEMENT ÉLECTRIQUE POUR LES SÈCHEUSES À GAZ

⚠ AVERTISSEMENT – Pour réduire le risque d'incendie, de choc électrique et de blessure personnelle :

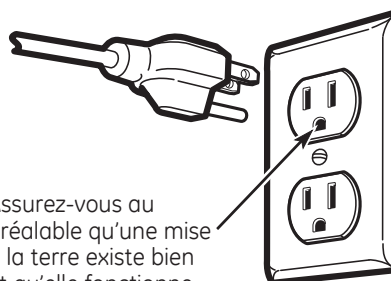
- N'utilisez pas de rallonge d'alimentation ou d'adaptateur de prise avec cette machine.
- La sècheuse doit être électriquement mise à la terre conformément aux normes et aux réglementations locales, ou en l'absence de normes locales, conformément au CODE NATIONAL DE L'ÉLECTRICITÉ, ANSI/NFPA N° 70, ou au Canada la norme CSA C22.1 du Code canadien de l'électricité, 1^{ère} partie.

EXIGENCES RELATIVES À L'ÉLECTRICITÉ POUR LES SÈCHEUSES À GAZ

Cette machine doit être alimentée avec du courant de 120 V, 60 Hz, et raccordée à un circuit domestique correctement mis à la terre, protégé par un disjoncteur de 15 ou 20 ampères ou un fusible coussinet.

Si l'alimentation électrique fournie n'est pas conforme aux exigences ci-dessus, il est recommandé de faire installer une prise homologuée par un électricien qualifié.

⚠ AVERTISSEMENT – Cette sècheuse est équipée d'une fiche à trois broches (mise à la terre) pour votre protection contre le risque de choc électrique et elle doit être branchée directement dans une prise à trois broches correctement mise à la terre. Ne coupez pas ou n'enlevez pas la broche de terre de cette fiche.



Instructions d'installation

RACCORDEMENT D'UNE SÈCHEUSE ÉLECTRIQUE (non applicable aux sècheuses à gaz)

OUTILS ET MATÉRIAUX NÉCESSAIRES POUR LE BRANCHEMENT DE L'ALIMENTATION ÉLECTRIQUE

- Tournevis plat ou droit (peut être nécessaire pour installer un protecteur de cordon)



- Tournevis cruciforme #2 (pour les branchements des connexions)

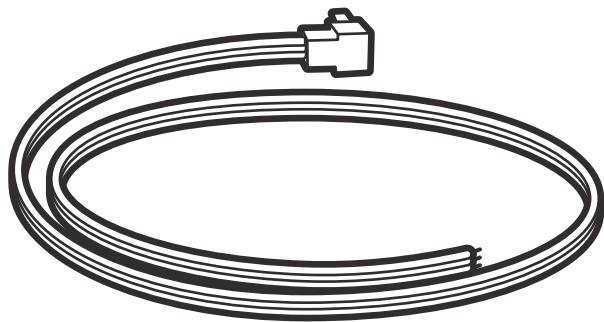


- Serre-câble certifié UL (peut être fourni avec le cordon)



- Cordon d'alimentation homologué UL

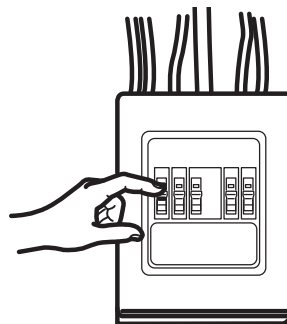
- 30 ampères
- 240 V
- Conducteur de cuivre #10 AWG minimum
- Terminaux fourchus ou à boucle fermée avec extrémités renversées
- 3 fils (pour les constructions avant 1996)
ou 4 fils (pour les constructions après 1996)



POUR VOTRE SÉCURITÉ :

⚠ AVERTISSEMENT

Avant d'effectuer le branchement électrique, désarmez le disjoncteur ou enlevez le fusible de la sècheuse du tableau électrique. Assurez-vous que le cordon d'alimentation de la sècheuse est débranché de la prise murale. **NE LAISSEZ JAMAIS LE CAPOT DE LA BARRETTE DE CONNEXION OUVERTE.**



RENSEIGNEMENTS SUR LES RACCORDS ÉLECTRIQUES POUR SÈCHEUSES ÉLECTRIQUES

⚠ AVERTISSEMENT – Pour réduire les risques d'incendie, de chocs électriques ou de blessure :

- N'utilisez pas de rallonge d'alimentation ou d'adaptateur de prise avec cette machine.
- Cette sècheuse doit être mise à la terre en conformité avec les codes et règlements locaux, ou en l'absence de codes locaux, en conformité avec le CODE NATIONAL DE L'ÉLECTRICITÉ, ANSI/NFPA N° 70, ou au Canada la norme CSA C22.1 du Code canadien de l'électricité, 1^{ère} partie.

Instructions d'installation

RACCORDEMENT D'UNE SÈCHEUSE ÉLECTRIQUE (suite)

EXIGENCES RELATIVES À L'ÉLECTRICITÉ POUR LES SÈCHEUSES ÉLECTRIQUES

Cette sècheuse doit être raccordée à un circuit domestique indépendant, protégé par un disjoncteur ou un fusible coussinet. Un circuit monophasé 120/240 V ou 120/208 V, 60 Hz et 30 ampères, à trois ou quatre fils, est nécessaire.

Si l'alimentation électrique fournie n'est pas conforme aux exigences ci-dessus, contactez alors un électricien qualifié.

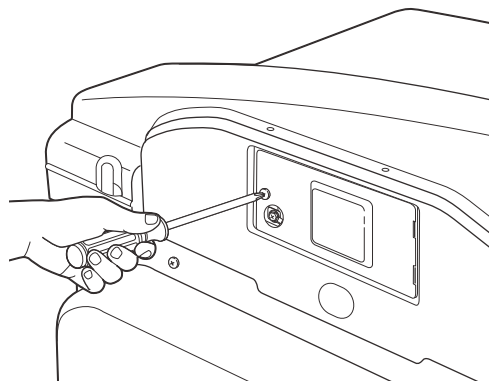
INSTRUCTIONS DE MISE À LA TERRE

La sècheuse doit être branchée à un réseau de fils en métal permanents et mis à la terre; ou un conducteur de mise à la terre doit suivre les conducteurs du circuit et être branché au terminal de mise à la terre ou à un conducteur sur la sècheuse.

BRANCHEMENT DU CORDON D'ALIMENTATION DE LA SÈCHEUSE

REMARQUE : Depuis le 1er janvier 1996, le Code national de l'électricité impose aux nouvelles constructions d'utiliser un raccordement à 4 fils pour une sècheuse électrique. Un cordon à 4 fils doit aussi être utilisé lorsque les normes locales n'autorisent pas une mise à la terre via le neutre. Un raccordement à 3 fils NE doit PAS être utilisé dans une nouvelle construction.

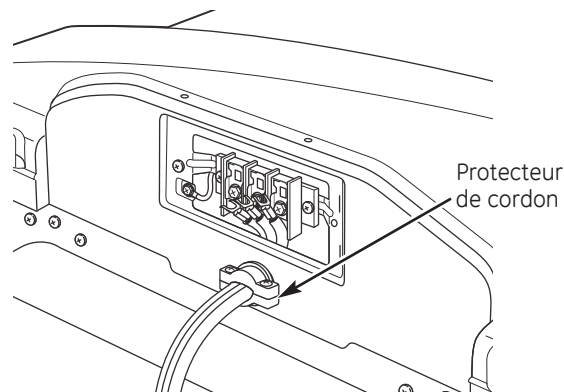
A Démontez le capot de la barrette de connexion, situé à l'arrière en haut.



BRANCHEMENT DU CORDON D'ALIMENTATION DE LA SÈCHEUSE (suite)

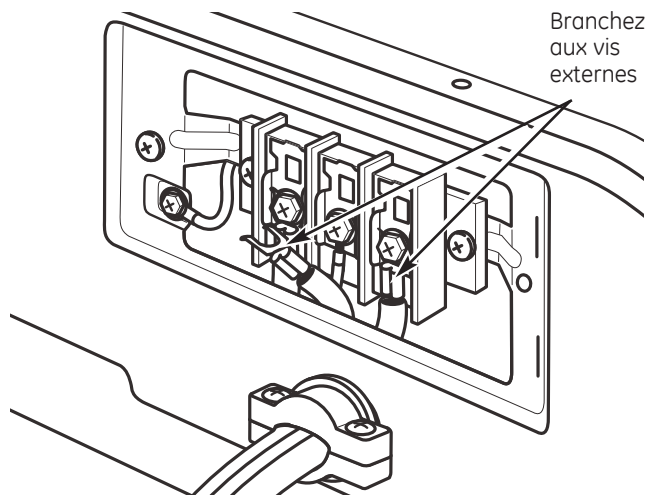
B Pour un raccordement à 3 ou 4 fils :

Installez un protecteur de cordon homologué UL dans le trou d'entrée du cordon d'alimentation, sous la barrette de connexion. Faites passer le cordon d'alimentation à conducteur en cuivre #10 AWG minimum, 30 A, 240 V, 3 ou 4 fils, homologué UL, à travers le protecteur de cordon.



(Raccordement à 3 fils illustré)

C Pour un raccordement à 3 ou 4 fils : Branchez les deux fils aux vis externes de la barrette de connexion.



(Raccordement à 3 fils illustré)

⚠ AVERTISSEMENT : Ne pliez pas ou ne pincez pas le câblage/conducteur au niveau des branchements.

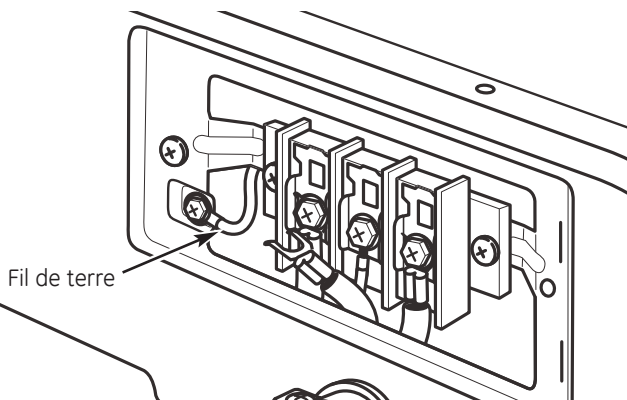
⚠ AVERTISSEMENT -
NE LAISSEZ JAMAIS LE COUVERCLE ENLEVÉ DE LA PLAQUE À BORNES.

Instructions d'installation

BRANCHEMENT DU CORDON D'ALIMENTATION DE LA SÉCHEUSE (suite)

D Pour un raccordement à 3 fils UNIQUEMENT :

Assurez-vous que le fil vert de terre est branché sur la vis verte de terre, située à l'arrière du caisson.

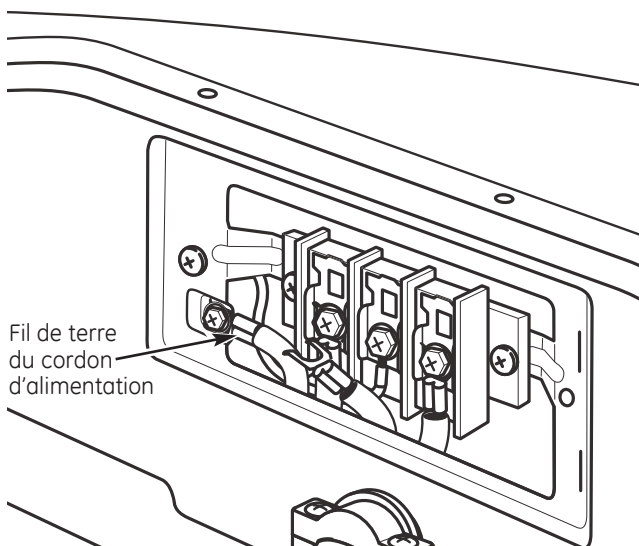


(Raccordement à 3 fils illustré)

Pour un raccordement à 4 fils UNIQUEMENT :

Enlevez le fil de terre de la sécheuse de derrière la vis verte de terre et branchez-le à la vis centrale de la barrette de connexion.

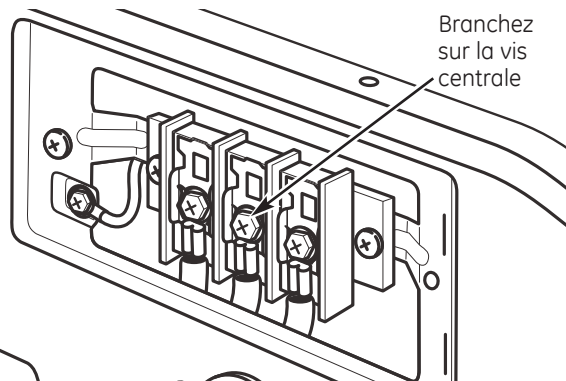
Fixez le fil de terre du cordon d'alimentation au caisson avec la vis verte de terre.



(Raccordement à 4 fils illustré)

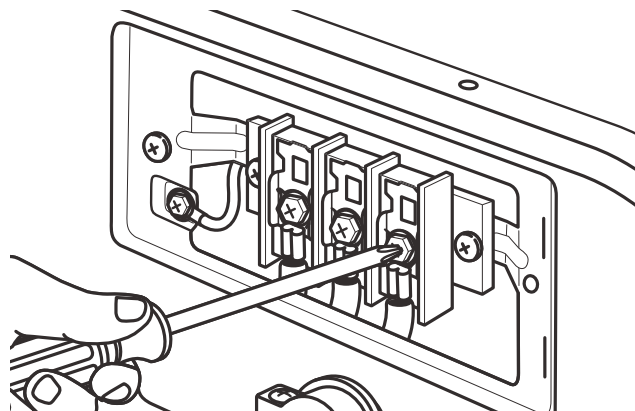
BRANCHEMENT DU CORDON D'ALIMENTATION DE LA SÉCHEUSE (suite)

E Pour un raccordement à 3 ou 4 fils : Branchez le fil neutre (fil central pour 3 fils, fil blanc pour 4 fils) au centre de la barrette de connexion.

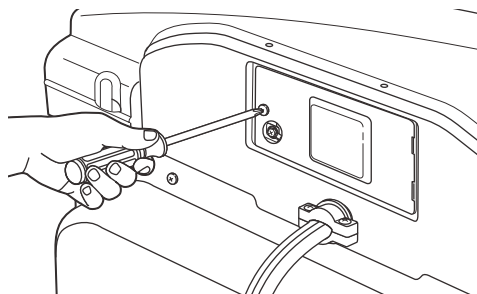


(Raccordement à 3 fils illustré)

F Pour un raccordement à 3 ou 4 fils : Serrez complètement toutes les vis de la barrette de connexion.



G Pour un raccordement à 3 ou 4 fils : Remplacez le capot de la barrette de connexion. **IMPORTANT** : Ne laissez pas le capot ouvert.



ÉVACUATION DE LA SÈCHEUSE

⚠ AVERTISSEMENT – Pour réduire le risque d'incendie et de blessure personnelle :

- L'air de cette sècheuse doit être évacué à l'extérieur.
- Utilisez un conduit métallique.
- Ne faites pas aboutir l'évacuation dans une cheminée, une ventilation de gaz, sous un plancher fermé (vide sanitaire) ou dans un grenier. L'accumulation de charpie peut créer un risque d'incendie.
- Laissez libre un accès pour l'inspection et le nettoyage du système d'évacuation, notamment pour les coudes. Inspectez et nettoyez le système au moins une fois par an.
- Ne terminez jamais l'évacuation dans un conduit commun avec une évacuation de cuisine. Une combinaison de charpie et de graisse peut créer un risque d'incendie.
- N'obstruez pas l'entrée ou l'évacuation de l'air.
- N'utilisez qu'un conduit métallique rigide de 4 po ou un conduit métallique flexible (semi-rigide ou souple) listé par UL pour connecter la sècheuse au conduit d'évacuation de la maison. La sècheuse doit être installée conformément aux directives « Connexion de la sècheuse au conduit d'évacuation de la maison », trouvées à la page 25 du manuel.
- N'utilisez pas de conduit d'évacuation plus long que spécifié dans le tableau de longueur de conduit d'évacuation. Des conduits d'évacuation plus longs accumulent la charpie et créent un risque d'incendie.
- N'installez pas de filtre ou de grille à l'intérieur ou à l'extrémité du conduit d'évacuation. Ceci aura pour effet d'accumuler de la charpie, créant un risque d'incendie.
- N'assemblez pas le conduit d'évacuation avec des vis ou autre mécanisme d'attache qui dépasse à l'intérieur du conduit. Ces vis accumuleront de la charpie et créeront un risque d'incendie.
- La sècheuse est préparée pour une évacuation de l'air par l'arrière. Si l'espace est insuffisant, utilisez les instructions figurant sur les pages 28, 29 pour évacuer l'air par les côtés ou le dessous de la carrosserie.

OUTILS ET MATÉRIAUX NÉCESSAIRES POUR L'INSTALLATION DES CONDUITS D'ÉVACUATION

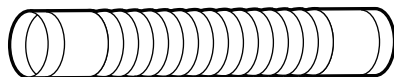
Tournevis cruciforme



Ruban de toile ou colliers pour conduit



Conduit métallique rigide ou souple homologué UL de 10,2 cm (4 po)



Évent d'évacuation



LISTE DE VÉRIFICATION DU SYSTÈME D'ÉVACUATION

HOTTE OU CAPUCHE MURALE

- Terminez le conduit de façon à éviter les retours ou l'entrée d'oiseaux ou d'autres animaux.
- La terminaison doit présenter une résistance minimale au flux d'air évacué et nécessiter peu ou pas de maintenance pour empêcher les obstructions.
- N'installez jamais un filtre dans ou sur le conduit d'évacuation.
- Les capuches murales doivent être installées à au moins 30,5 cm (12 po) au-dessus du niveau du sol ou toute autre obstruction avec l'ouverture dirigée vers le bas.
- Si des aérations de toiture ou des ventilations ajourées sont utilisées, elles doivent être équivalentes à une capuche murale imperméable de 10,2 cm (4 po) pour ce qui concerne la résistance au flux d'air, la prévention des retours et la maintenance nécessaire pour empêcher les obstructions.

SÉPARATIONS DES COUDES

- Pour de meilleures performances, séparez tous les coudes par un conduit droit d'au moins 1,2 m (4 pieds), y compris sur la distance entre le dernier coude et la capuche murale imperméable. Pour les coudes inférieurs à 1,2 m (4 pieds), consultez le tableau d'équivalence des conduits.

ÉTANCHÉITÉ DES JOINTS

- Tous les joints doivent être serrés pour éviter les fuites. L'extrémité mâle de chaque section du conduit doit être dirigée vers l'extérieur par rapport à la sècheuse.
- N'assemblez pas les conduits avec des fixations qui pénètrent dans le conduit. Elles serviraient de point de collecte pour la charpie.
- Les joints de conduit doivent être étanches à l'air et à la poussière, avec un enveloppement réalisé avec du ruban entoilé ou en aluminium.
- Les conduits horizontaux doivent être inclinés vers l'extérieur de 6 mm (1/4 po) par pied de longueur.

ISOLATION

- Les conduits qui courent à travers une zone non chauffée ou à proximité de l'air conditionné doivent être isolés pour réduire la condensation et la création de charpie.

Instructions d'installation

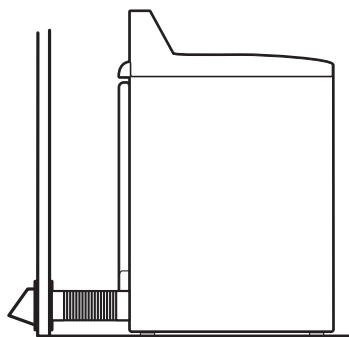
UTILISATION D'UN CONDUIT MÉTALLIQUE SOUPLE POUR L'ÉVACUATION TRANSITOIRE

L'utilisation de conduits métalliques rigides ou semi-rigides est recommandée pour l'évacuation transitoire entre la sècheuse et le mur. Dans les installations spéciales où il est impossible d'effectuer un raccordement conforme aux recommandations précédentes, alors un conduit métallique souple transitoire homologué UL peut être utilisé entre la sècheuse et le mur uniquement. L'utilisation de ce type de conduit affectera la durée du séchage.

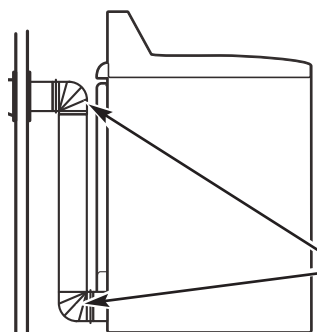
Si un conduit métallique souple transitoire se révèle nécessaire, les consignes suivantes doivent être respectées :

- Utilisez la plus petite longueur possible.
- Étirez le conduit à sa longueur maximale.
- Ne l'écrasez pas ou ne le pliez pas.
- N'utilisez jamais de conduit métallique souple dans le mur ou à l'intérieur de la sècheuse.
- Évitez de poser le conduit sur des objets pointus.
- L'évacuation doit être conforme aux normes locales de construction.

POUR L'ÉVACUATION TRANSITOIRE (DE LA SÈCHEUSE AU MUR), FAITES :



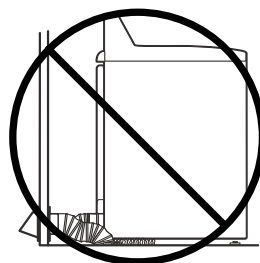
- **COUPEZ** le conduit aussi court que possible et installez-le droit vers le mur.



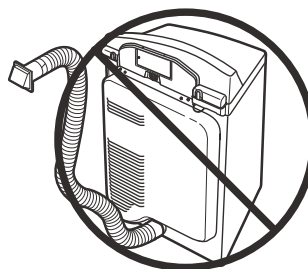
- **UTILISEZ** des coudes lorsque des changements de direction sont nécessaires.

Coudes

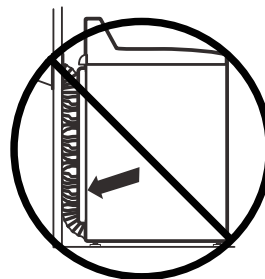
NE FAITES PAS :



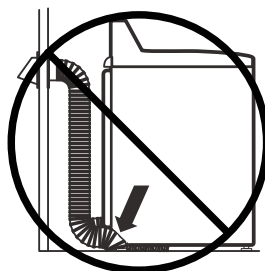
- **N'ÉCRASEZ PAS** ou ne pliez pas le conduit. Utilisez des coudes lorsque des changements de direction sont nécessaires.



- **N'UTILISEZ PAS** une longueur d'évacuation excessive. Coupez le conduit aussi court que possible.



- **NE PRESSEZ PAS** le conduit contre le mur.



- **N'INSTALLEZ PAS** la sècheuse sur le conduit.

Instructions d'installation

ÉVACUATION DE LA SÉCHEUSE (suite)

⚠ AVERTISSEMENT

UTILISEZ UNIQUEMENT DES CONDUITS MÉTALLIQUES DE 10,2 CM (4 PO). N'UTILISEZ DE CONDUIT PLUS LONG QUE SPÉCIFIÉ DANS LE TABLEAU DES LONGUEURS D'ÉVACUATION.

Un conduit d'une longueur supérieure à 27,4 m (90 pieds) :

- Augmentera les durées de séchage et les coûts énergétiques.
- Réduira la durée de vie de la sècheuse.
- Accumulera de la charpie, créant un risque d'incendie potentiel.

EXEMPLE UNIQUEMENT

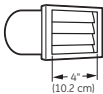
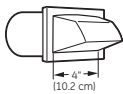
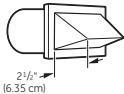
Le tableau suivant décrit un exemple d'installation de conduits.

L'installation d'une évacuation correcte est de votre responsabilité.

Les problèmes provoqués par une installation défectueuse ne sont pas couverts par la garantie.

La longueur du système d'évacuation dépend du type de conduit, du nombre de coudes et du type de hotte d'évacuation (capuche murale), ainsi que de toutes les conditions mentionnées ci-dessous. Les conduits métalliques rigides et souples sont mentionnés dans le tableau.

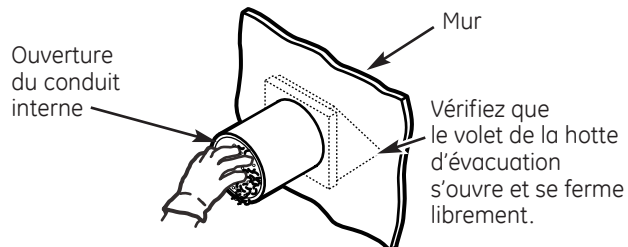
Pour un flux d'air satisfaisant, la longueur totale des conduits ne doit pas dépasser **27,4 m (90 pieds)**.

Type d'évent mural	Nombre de coudes de 90°	Longueur maximale de conduit métallique rigide de 10,2 cm (4 po) de diamètre
<p>Recommandé</p>  	0	65 ft. (19.8 m)
	1	55 ft. (16.8 m)
	2	47 ft. (13.7 m)
	3	36 ft. (11.0 m)
	4	28 ft. (8.5 m)
<p>Utilisé seulement pour les installations dont le conduit est court</p> 	0	55 ft. (16.8 m)
	1	47 ft. (13.7 m)
	2	41 ft. (12.5 m)
	3	30 ft. (9.1 m)
	4	22 ft. (6.7 m)

ÉVACUATION DE LA SÉCHEUSE (suite)

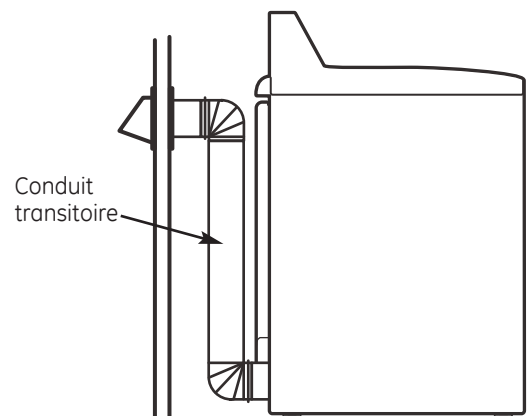
AVANT DE COMMENCER

Enlevez toute charpie de l'ouverture d'évacuation murale.



CONFIGURATION RECOMMANDÉE POUR MINIMISER UN BLOCAGE DE L'ÉVACUATION

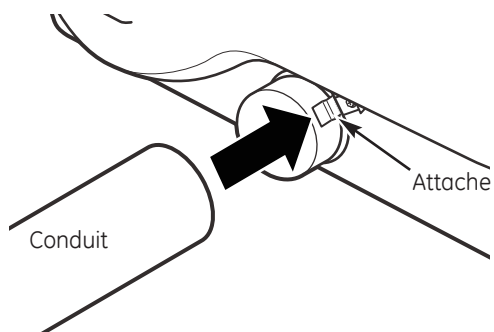
L'utilisation de coudes empêchera les conduits de vriller et de s'écraser.



ÉVACUATION ARRIÈRE STANDARD

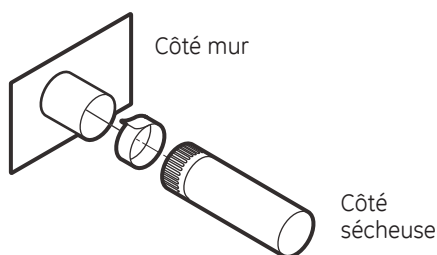
Nous vous recommandons d'installer votre sècheuse avant d'installer votre laveuse. Cela permettra un accès direct pour faciliter le raccordement de l'évacuation.

Faites glisser l'extrémité du conduit d'évacuation sous les attaches à l'arrière de la sècheuse et fixez-la avec du ruban entoilé ou un collier de fixation.



REMARQUE : Nous vous recommandons fortement d'utiliser un conduit d'évacuation rigide et en métal. Si vous utilisez un conduit métallique semi-rigide, coupez-le à la bonne longueur et évitez d'écraser le conduit derrière la sècheuse.

- Pour une installation droite, raccordez l'évacuation de la sècheuse au mur l'aide de ruban entoilé.



ÉVACUATION DE LA SÈCHEUSE (suite)

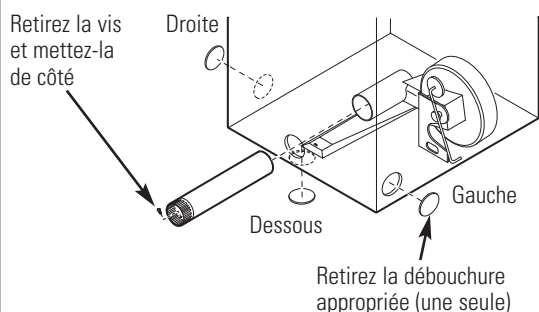
ÉVACUATION LATÉRALE :

Orifice d'évacuation de la sècheuse sur la droite de la carrosserie sur les modèles fonctionnant à l'électricité uniquement.

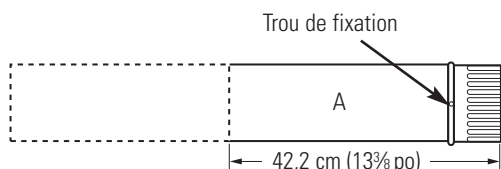
Orifice d'évacuation de la sècheuse sur la gauche de la carrosserie sur les modèles fonctionnant au gaz et à l'électricité.

⚠ AVERTISSEMENT –

AVANT DE PROCÉDER À L'INSTALLATION DE L'ÉVACUATION, VEILLEZ À COUPER L'ALIMENTATION ÉLECTRIQUE DE LA SÈCHEUSE. PROTÉGEZ VOS MAINS ET VOS BRAS DES PARTIES COUPANTES LORSQUE VOUS TRAVAILLEZ SUR LA CARROSSERIE. MUNISSEZ-VOUS DE GANTS.

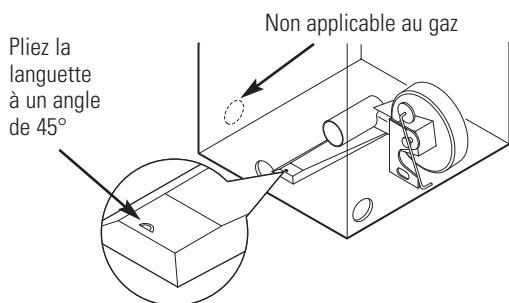


Enlevez la débouchure gauche, droite ou du dessous. Retirez la vis située à l'intérieur du tuyau d'évacuation de la sècheuse et conservez-la. Retirez le tuyau de la sècheuse.



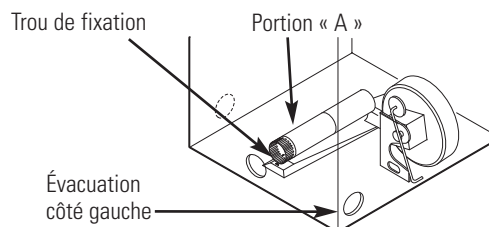
Coupez le tuyau comme indiqué et conservez la portion A.

EMPLACEMENT DE LA LANGUETTE



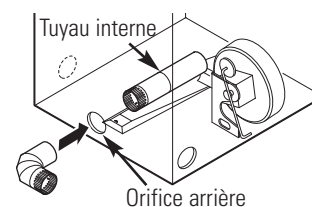
À travers l'orifice arrière, repérez la languette au milieu de la base de l'appareil. Soulevez la languette à 45° à l'aide d'un tournevis à tête plate.

AJOUTER UN NOUVEAU CONDUIT

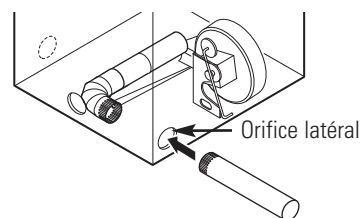


Rebranchez la portion découpée (A) du conduit au boîtier du ventilateur. Veillez à ce que le conduit raccourci soit aligné sur la languette dans la base. Utilisez la vis mise de côté précédemment pour fixer le conduit à la languette sur la base de l'appareil.

AJOUTER UN COUDE ET UN CONDUIT POUR L'ÉVACUATION SUR LA GAUCHE ET LA DROITE DE L'APPAREIL



- Introduisez le coude de 4 po dans l'orifice arrière et connectez le coude au tuyau interne de la sècheuse.



- Introduisez le conduit de 4 po dans l'orifice latéral et connectez-le au coude.

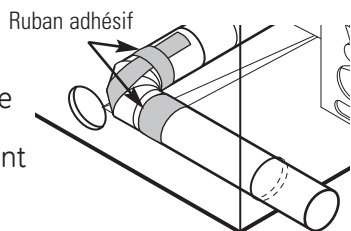
⚠ MISE EN GARDE : Ne pas tirer ou endommager les fils électriques et ne pas retirer le couvert de vinyle des pièces électriques à l'intérieur de la sècheuse lors de l'insertion du conduit. Une légère interférence peut se produire entre l'évacuation et les composants de fil.

Instructions d'installation

ÉVACUATION LATÉRALE (suite)

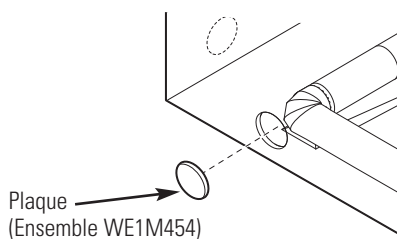
AJOUTER UN COUDE ET UN CONDUIT POUR L'ÉVACUATION SUR LA GAUCHE ET LA DROITE DE L'APPAREIL (suite)

- Appliquez du ruban adhésif comme indiqué sur le joint entre le tuyau interne de la sècheuse et le coude, et également sur le joint entre le coude et le tuyau latéral.



⚠ MISE EN GARDE : Les joints du conduit interne doivent être fixés avec du ruban adhésif afin d'éviter qu'ils ne se détachent et que ceci n'entraîne un risque pour la sécurité.

AJOUTER UNE PLAQUE D'OBTURATION À L'ARRIÈRE DE LA CARROSSERIE (ÉVACUATION LATÉRALE)



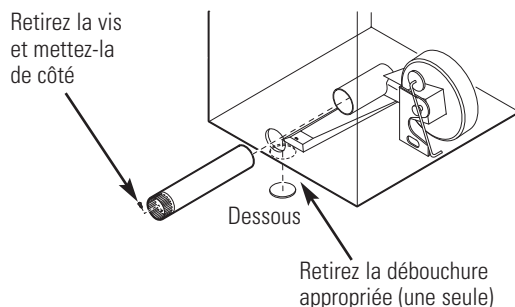
Connectez les coudes et les conduits métalliques pour terminer l'installation du système d'évacuation. Recouvrez l'orifice arrière d'une plaque (Ensemble WE1M454) disponible auprès de votre fournisseur local. Placez la sècheuse à son emplacement final.

⚠ AVERTISSEMENT –
IL FAUT TOUJOURS LAISSER LA PLAQUE D'OBTURATION SUR L'ORIFICE À L'ARRIÈRE DE LA SÈCHEUSE. (Ensemble WE1M454)

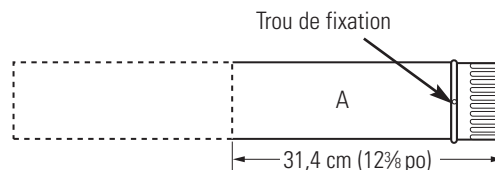
ÉVACUATION PAR LE DESSOUS :

Orifice d'évacuation de la sècheuse par le dessous de la carrosserie sur les modèles fonctionnant au gaz et à l'électricité.

⚠ AVERTISSEMENT –
AVANT DE PROCÉDER À L'INSTALLATION DU SYSTÈME D'ÉVACUATION, VEILLEZ À COUPER L'ALIMENTATION ÉLECTRIQUE DE LA SÈCHEUSE. PROTÉGEZ VOS MAINS ET VOS BRAS DES PARTIES COUPANTES LORSQUE VOUS TRAVAILLEZ SUR LA CARROSSERIE. MUNISSEZ-VOUS DE GANTS.



Retirez la vis située à l'intérieur du tuyau d'évacuation de la sècheuse et conservez-la. Retirez le tuyau de la sècheuse. Enlevez la débouchure du dessous.



Coupez le tuyau comme indiqué et conservez la portion A.

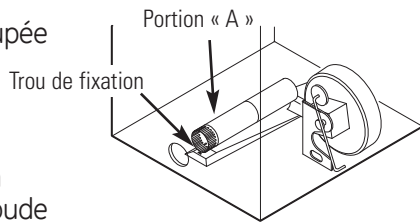
ÉVACUATION DE LA SÈCHEUSE (suite)

ÉVACUATION PAR LE DESSOUS (suite)

Orifice d'évacuation de la sècheuse par le dessous de la carrosserie sur les modèles fonctionnant au gaz et à l'électricité.

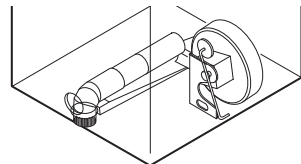
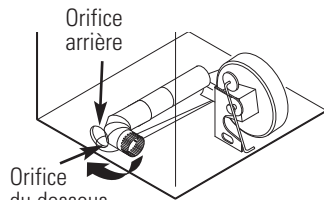
AJOUTER UN NOUVEAU CONDUIT

- Rebranchez la portion découpée A du conduit au boîtier du ventilateur.



- Placez du ruban adhésif sur le coude dans un angle de 90 degrés afin d'éviter toute rotation.

- Introduisez le coude dans l'orifice arrière et connectez-le à la portion A. Pivotez le coude vers l'orifice du dessous.



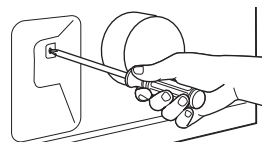
- Tout en tenant le tuyau et le coude à l'aide de vos mains via l'orifice arrière, percez un trou de 1/8 po à travers le trou de la languette inférieure et le tuyau conformément à l'illustration.



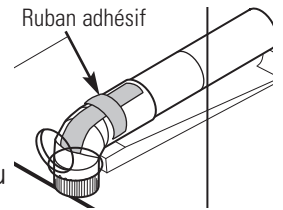
REMARQUE : Assurez-vous que la perceuse a traversé le tuyau et le coude.

⚠ MISE EN GARDE : Prenez soin de ne pas tirer ou endommager les fils électriques placés à l'intérieur de la sècheuse lors de l'insertion du conduit.

- Tout en tenant le tuyau et le coude par l'orifice arrière, vissez les tuyaux en place à l'aide de la vis précédemment mise de côté.



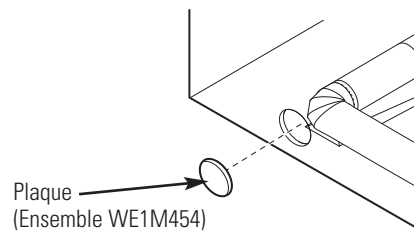
- Appliquez du ruban adhésif sur le joint entre le tuyau interne de la sècheuse et le coude.



REMARQUE : Assurez-vous que le ruban recouvre le trou de vis de la portion A à l'endroit où il se raccorde au coude.

MISE EN GARDE : Les joints du conduit interne doivent être fixés avec du ruban adhésif afin d'éviter qu'ils ne se détachent et que ceci n'entraîne un risque pour la sécurité.

AJOUTER UNE PLAQUE D'OBTURATION À L'ARRIÈRE DE LA CARROSSERIE (ÉVACUATION PAR LE DESSOUS)



Connectez les coudes et les conduits métalliques pour terminer l'installation du système d'évacuation. Recouvrez l'orifice arrière d'une plaque (Ensemble WE1M454) disponible auprès de votre fournisseur local. Placez la sècheuse à son emplacement final.

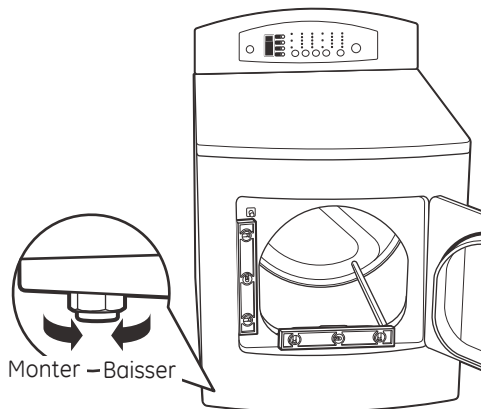
AVERTISSEMENT –
IL FAUT TOUJOURS LAISSER LA PLAQUE D'OBTURATION SUR L'ORIFICE À L'ARRIÈRE DE LA SÈCHEUSE. (Ensemble WE1M454)

Instructions d'installation

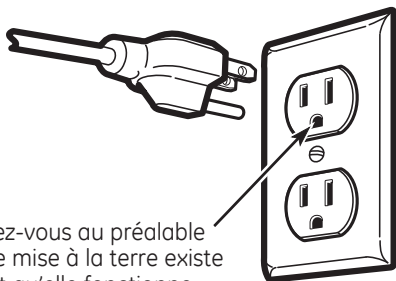
INSTALLATION FINALE

1 METTEZ DE NIVEAU LA SÉCHEUSE

Placez la sécheuse à proximité de l'emplacement final. Posez un niveau contre le côté et le fond du châssis de la porte de la sécheuse et utilisez les quatre pattes de nivellement pour la mettre de niveau.



2 BRANCHEZ LA SÉCHEUSE

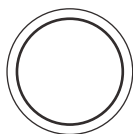


Assurez-vous au préalable qu'une mise à la terre existe bien et qu'elle fonctionne correctement.

3 DÉMARRAGE DE LA SÉCHEUSE

Appuyez sur la touche **POWER** (alimentation).

POWER



REMARQUE : Si la sécheuse a été exposée à des températures de gel pendant une période prolongée, laissez-la se réchauffer avant d'appuyer sur **POWER (alimentation)**. Sinon, l'écran ne s'allumera pas.

La sécheuse est maintenant prête à l'emploi.

4 VÉRIFICATION DE L'ÉTAT DU CONDUIT

Appuyez simultanément sur les touches **DAMP ALERT** et **TEMP** et, sans les relâcher, appuyez ensuite sur la touche **POWER** pendant que la sécheuse est arrêtée et qu'il n'y a aucun article dans le tambour de la sécheuse. Votre sécheuse est dotée d'un système de surveillance du conduit automatique et innovateur qui détecte une obstruction dès qu'elle se produit dans votre conduit et qui vous en avertit. L'écran d'affichage numérique affiche «**CLg**» pour indiquer que le mode de vérification de l'état du conduit est en fonction.

Appuyez sur la touche **START/PAUSE**. La sécheuse fonctionnera pendant environ 2 minutes pour vérifier s'il y a des obstructions ou des restrictions pour la circulation de l'air dans le conduit.

IMPORTANT : Il ne faut PAS interrompre ce programme de vérification!



Si le message «**CLg**» s'affiche à l'écran, il faut nettoyer le conduit d'évacuation avant de terminer l'installation. Vérifiez s'il y a des obstructions ou des restrictions dans le conduit d'évacuation, particulièrement à proximité des coudes. Au besoin, communiquez avec un réparateur qualifié.

Après la vérification, appuyez sur la touche **POWER** pour terminer la vérification.

REMARQUE : Lorsque vous installez la sécheuse pour la première fois, il faut effectuer cette vérification pour vous assurer que le conduit d'évacuation de votre résidence ne présente aucun problème. Toutefois, lors de son fonctionnement normal à n'importe quel programme, votre sécheuse vérifie automatiquement l'état du conduit et affiche le message «**CLg**» s'il y a une obstruction.

MAINTENANCE

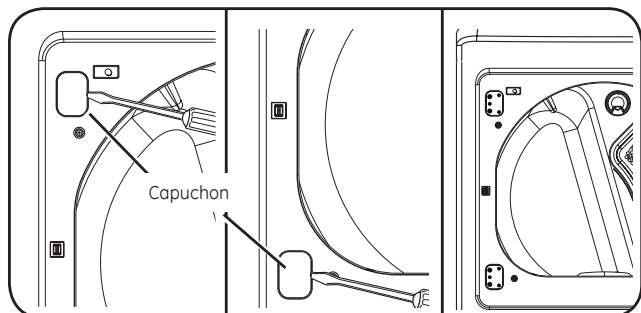
⚠ AVERTISSEMENT –

Étiquetez tous les câbles avant de les débrancher pour les contrôles de maintenance. Les erreurs de câblage peuvent provoquer un dysfonctionnement et un fonctionnement dangereux après une installation/maintenance.

Pour les pièces détachées et les autres informations, consultez le manuel d'utilisation pour connaître les numéros de téléphone du service après-vente.

Instructions d'installation

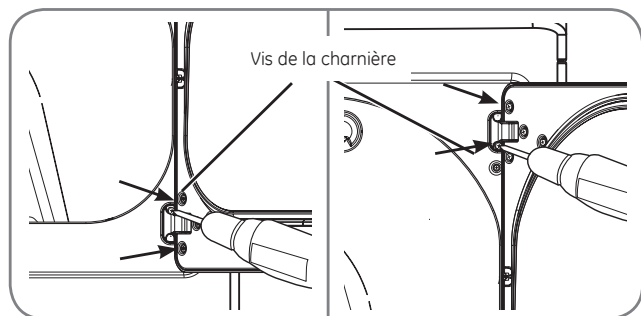
INVERSION DU SENS D'OUVERTURE DE LA PORTE (FACULTATIF)



ÉTAPE 1

Ouvrez la porte et enlevez les deux capuchons de plastique du côté du loquet en les soulevant délicatement à l'aide d'un tournevis à lame plate. Conservez-les pour l'étape 6.

ATTENTION : Soutenez la porte lorsque vous enlèvez les vis à la prochaine étape. Si vous ne soutenez pas la porte correctement, cela pourrait causer des dommages matériels, endommager la sècheuse ou occasionner des blessures.

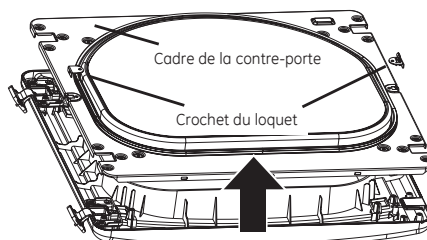
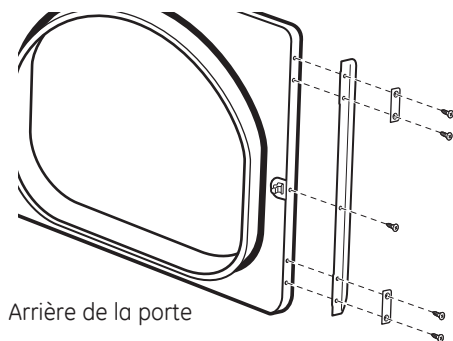


ÉTAPE 2

Tout en soutenant la porte, enlevez les quatre vis, deux sur chacune des charnières. Mettez la porte de côté, la surface extérieure vers le bas, sur une surface protégée afin de ne pas endommager la porte ou la surface de travail.

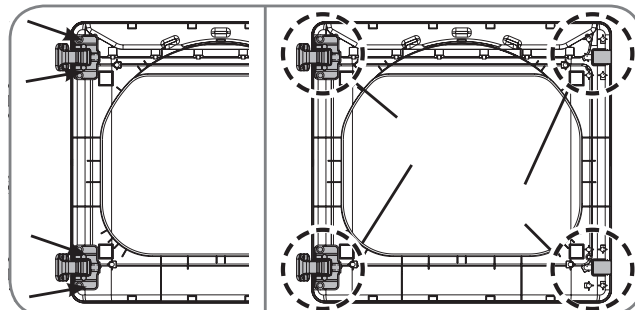
ÉTAPE 3 ENLEVEZ LA POIGNÉE

Enlevez les vis tenant la poignée et les deux entretoises.



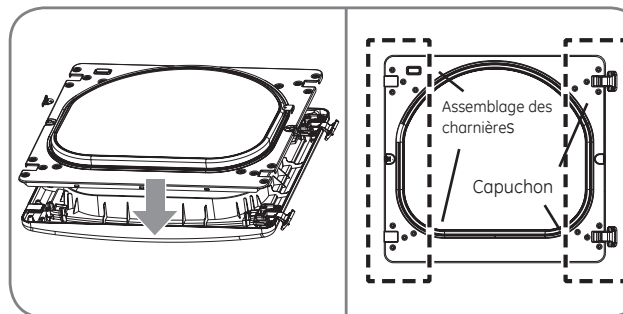
ÉTAPE 4

Après avoir placé la porte sur une surface protégée, enlevez les 12 vis de chaque côté de la porte, puis soulevez le cadre de la contre-porte à l'aide d'un tournevis à lame plate pour l'enlever. Enlevez le crochet et la plaque du loquet et installez-les du côté opposé.



ÉTAPE 5

Enlevez les quatre vis qui retiennent les charnières sur le cadre de la porte. Enlevez les deux capuchons de plastique. Réinstallez les charnières et les capuchons du côté opposé par rapport à leur emplacement initial.



ÉTAPE 6

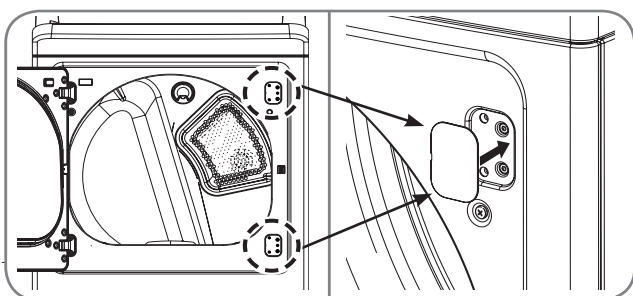
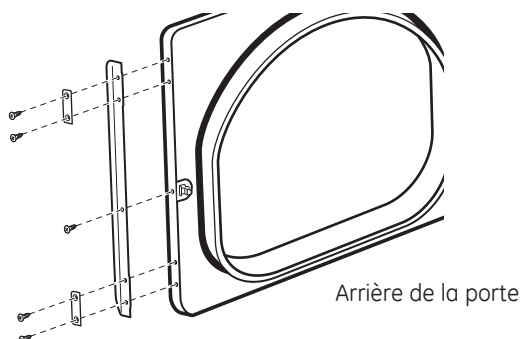
Après avoir réinstallé les charnières et les capuchons aux nouveaux endroits, réinstallez le cadre de la contre-porte sur le cadre du panneau extérieur de porte à l'aide des vis enlevées à l'étape 3.

Instructions d'installation

INVERSION DU SENS D'OUVERTURE DE LA PORTE (FACULTATIF)

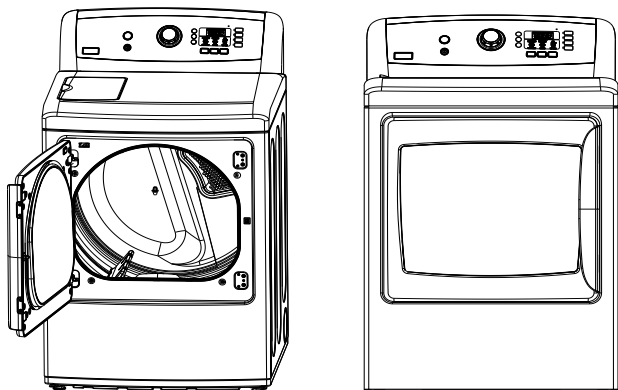
ÉTAPE 7 INVERSEZ LA POIGNÉE

Installez la poignée sur le côté opposé de la porte.



ÉTAPE 8

Réinstallez la porte à l'aide des vis enlevées aux étapes 1 et 2.



ÉTAPE 9

Vérifiez l'ouverture de la porte pour vous assurer que les charnières et le loquet sont correctement alignés et que la porte se ferme et se verrouille correctement.

Avant d'appeler un réparateur...



Conseils de dépannage—Économisez du temps et de l'argent!
Consultez d'abord le tableau qui suit et vous pourrez peut-être éviter de faire appel à un réparateur.

Problème	Causes possibles	Correctifs
La sécheuse ne fonctionne pas	Le panneau de commandes est inactif	<ul style="list-style-type: none"> C'est normal. Appuyez sur POWER (alimentation).
	La sécheuse n'est pas branchée	<ul style="list-style-type: none"> Assurez-vous que le cordon est correctement branché dans une prise secteur.
	Les commandes sont mal configurées	<ul style="list-style-type: none"> Assurez-vous que le cycle est correctement sélectionné, fermez la porte et appuyez sur START (démarrage).
	Le fusible est grillé/disjoncteur est désarmé	<ul style="list-style-type: none"> Vérifiez les disjoncteurs et les fusibles de la maison. Remplacez les fusibles grillés ou réarmez les disjoncteurs. REMARQUE : Les sécheuses électriques nécessitent deux fusibles ou disjoncteurs.
	Il est nécessaire de réinitialiser le circuit électronique	<ul style="list-style-type: none"> Débranchez la sécheuse, patientez 2 minutes, rebranchez-la et appuyez sur POWER (alimentation).
	La touche START (démarrage) n'a pas été enfoncée après la sélection d'un cycle	<ul style="list-style-type: none"> Appuyez sur START (démarrage).
	La porte a été ouverte pendant le cycle de séchage	<ul style="list-style-type: none"> Fermez la porte et réinitialisez le cycle, depuis le début si nécessaire. Appuyez sur START (démarrage).
La sécheuse est trop froide	<ul style="list-style-type: none"> Si la sécheuse a été exposée à des températures de gel pendant une période prolongée, laissez-la se réchauffer avant d'appuyer sur POWER (alimentation). Sinon, l'écran ne s'allumera pas. 	

Bruits normaux de fonctionnement

Il est normal d'entendre les bruits suivants :

Bruit	Description
Bruit sourd pendant la rotation du tambour	<ul style="list-style-type: none"> Si la sécheuse n'a pas été utilisée pendant une période prolongée, vous pouvez entendre le bruit sourd des souillures plates temporaires sur les rouleaux du support de tambour. Ce bruit disparaîtra après utilisation.

Notes.

Notes.

Garantie de votre sècheuse GE.



Tout le service sous garantie est fourni par nos Centres de service de fabrique ou par un technicien autorisé. Pour le service, appelez le 1.800.561.3344.

Veillez fournir le numéro de série et le numéro de modèle lorsque vous appelez pour obtenir le service.

Pour une période de :	GE remplacera :
Un an À partir de la date d'achat d'origine	Toute pièce de la sècheuse qui se révèle défectueuse en raison d'un vice de matériaux ou de fabrication. Pendant cette garantie limitée de un an , GE prendra en charge également, gratuitement , tous les frais de main-d'œuvre et les frais connexes de service pour remplacer la pièce défectueuse.
Deuxième année À partir de la date d'achat d'origine	Toute pièce de la sècheuse qui tomberait en panne à cause d'un défaut matériel ou de main-d'œuvre. Pendant cette garantie limitée supplémentaire d'un an , les frais de service ou de main-d'œuvre correspondants seront à votre charge.
De la troisième à la cinquième années partir de la date d'achat d'origine	Le tambour de la sècheuse et le tableau de commande électronique , si l'une ou l'autre de ces pièces se révèle défectueuse en raison d'un vice de matières ou de fabrication. Au cours de cette À garantie limitée supplémentaire de trois ans, les frais de service ou de main-d'oeuvre correspondants seront à votre charge.

Ce qui n'est pas couvert :

- Toute visite à votre domicile pour vous expliquer le fonctionnement de l'appareil.
- Installation, livraison ou entretien inadéquats.
- Une panne du produit si celui-ci est maltraité, mal utilisé ou utilisé à des fins autres que celles auxquelles il est destiné, ou utilisé commercialement.
- Remplacement de l'ampoule lumineuse après sa durée de vie utile prévue.
- Le remplacement des fusibles ou le réenclenchement
- des disjoncteurs du panneau de distribution.
- Tout dommage au produit attribuable à un accident, un incendie, une inondation ou un cas de force majeure.
- Tout dommage direct ou indirect causé en raison d'une défectuosité éventuelle de cet appareil.
- Des dommages après la livraison.
- Le service s'il est impossible d'avoir accès au produit pour ce faire.

EXCLUSION DE GARANTIES IMPLICITES – Votre seul et unique recours est la réparation du produit selon les dispositions de cette Garantie limitée. Toutes les garanties implicites, incluant les garanties de commercialité et d'adéquation à un usage spécifique, sont limitées à une année ou à la période la plus courte autorisée par la législation.

Cette garantie est valable pour le premier propriétaire et tout autre propriétaire du produit s'il acheté pour utilisation domestique au Canada. Le service sous garantie sera fourni là où il est disponible et dans les régions que Mabe considère que l'offre de service est raisonnable.

LE FABRICANT NE SERA PAS TENU RESPONSABLE DES DOMMAGES INDIRECTS.

Garant : MABE CANADA INC.

Soutien au consommateur.



Site Web appareils électroménagers GE www.electromenagersge.ca

Vous avez une question ou vous avez besoin d'aide pour votre appareil électroménager? Contactez-nous par Internet au site www.electromenagersge.ca 24 heures par jour, tous les jours de l'année.



Service de réparations

1.800.561.3344

Service de réparations GE est tout près de vous.

Pour faire réparer votre électroménager GE, il suffit de nous téléphoner.



Studio de conception réaliste

Sur demande, GE peut fournir une brochure sur l'aménagement d'une cuisine pour les personnes à mobilité réduite.

Écrivez: Directeur, Relations avec les consommateurs, Mabe Canada Inc.
Bureau 310, 1 Factory Lane
Moncton, N.B. E1C 9M3

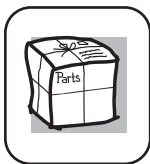


Prolongation de garantie

www.electromenagersge.ca

Achetez un contrat d'entretien GE avant que votre garantie n'expire et bénéficiez d'un rabais substantiel. Ainsi le service après-vente GE sera toujours là après expiration de la garantie.

Visitez notre site Web ou appelez-nous au **1.888.261.2133**.



Pièces et accessoires

Ceux qui désirent réparer eux-mêmes leurs électroménagers peuvent recevoir pièces et accessoires directement à la maison (cartes VISA, MasterCard et Discover acceptées).

Les directives stipulées dans le présent manuel peuvent être effectuées par n'importe quel utilisateur. Les autres réparations doivent généralement être effectuées par un technicien qualifié. Soyez prudent, car une réparation inadéquate peut affecter le fonctionnement sécuritaire de l'appareil.

Vous trouverez dans les pages jaunes de votre annuaire le numéro du Centre de service Mabe le plus proche. Autrement, appelez-nous au 1.800.661.1616.



Contactez-nous

Si vous n'êtes pas satisfait du service après-vente dont vous avez bénéficié :

Premièrement, communiquez avec les gens qui ont réparé votre appareil.

Ensuite, si vous n'êtes toujours pas satisfait envoyez tous les détails—numéro de téléphone compris—au

Directeur, Relations avec les consommateurs, Mabe Canada Inc.
Bureau 310, 1 Factory Lane
Moncton, N.B. E1C 9M3



Inscrivez votre appareil électroménager www.electromenagersge.ca

Inscrivez votre appareil électroménager en direct, aussitôt que possible. Cela améliorera nos communications et notre service après-vente. Vous pouvez également nous envoyer par la poste le formulaire d'inscription joint à votre documentation.