



PRODUCT SPECIFICATIONS Intrepid II Catalytic Wood Stove



ACTUAL DIMENSIONS

Unit Depth: 13-3/4"

Unit Height: 24"

Unit Width: 21-1/2"

TECHNICAL INFORMATION

Log Length: up to 16"

Burn Time: up to 6 hours

Heating Capacity: up to 1,200 sq. ft.

Maximum Heat Output: 27,000 BTUs/hr.

Efficiency Rating: 81.1%

EPA Emissions Rating: 2.1 grams/hr.

Weight: 223lbs

Flue Collar: 6" round, reversible

Firebox Size: 1.3 ft.

Clearances (with optional shields)

Back: 16" (measured to back of stove top)

Corner: 12"

FIELD INSTALLED ACCESSORIES

Custom sparkscreen for open door fire viewing

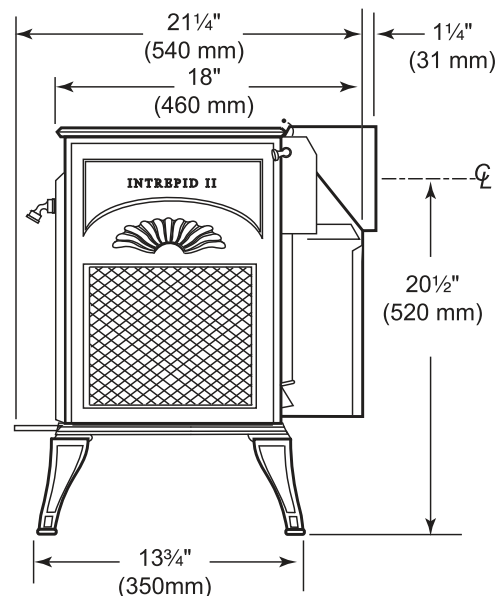
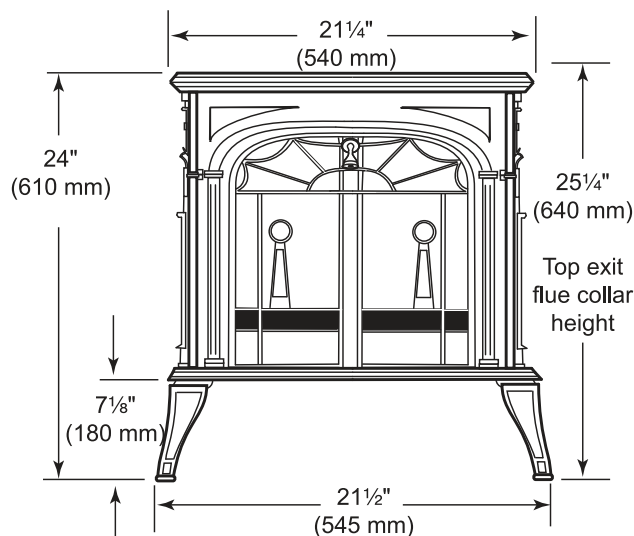
Choice of Classic Black or four enamel colors: Bordeaux, Biscuit, Majolica Brown and Ebony Black

Matching enamel pipe in four standard colors

Clearance reducing rear heat shield

Handy warming shelves with mitten racks

Height-reducing short legs



A Brand of Monessen Hearth Systems Co.
149 Cleveland Drive, Paris, Kentucky 40361
www.vermontcastings.com

To avoid personal injury or property damage, the product described by this brochure must be installed, operated and maintained in strict compliance with the instructions packaged with the product and all applicable building or fire codes. Contact local building or fire officials about restrictions and installation inspection requirements. All photographs and drawings on this brochure are for illustrative purposes only and are not intended for, nor should they be used as a substitute for the instructions packaged with the unit. Appearance and specifications of the product are subject to change without notice. © 2010 Monessen Hearth Systems Co.