

PRODUCT SPECIFICATIONS

2462 Extra-Large Convection Wood Stoves



GLASS PANELS

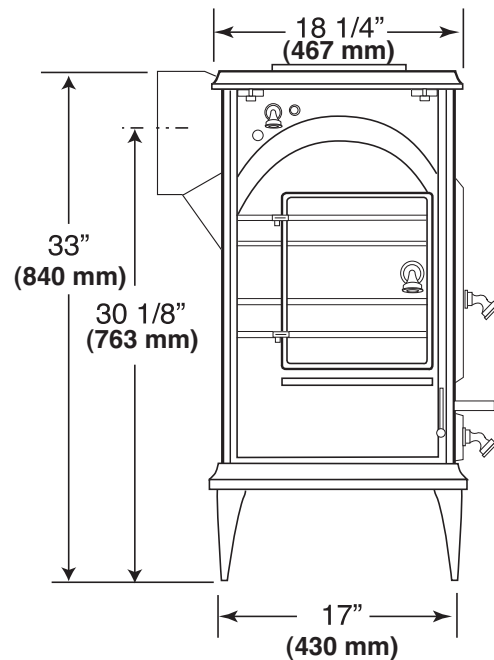
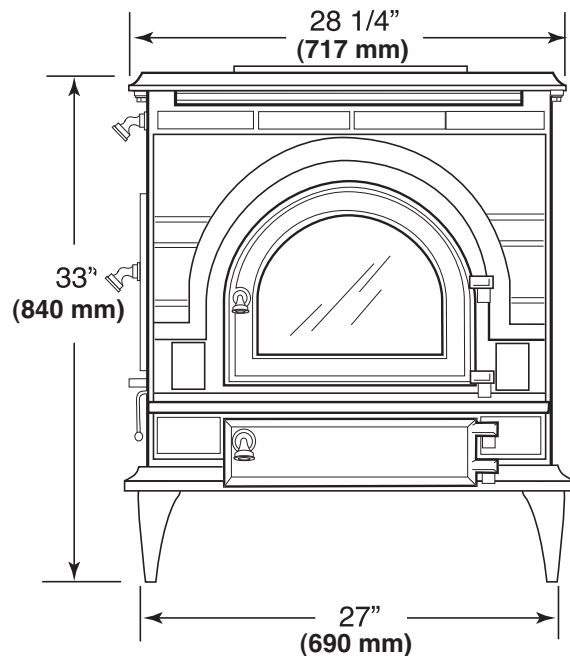
Overfire airwash for clear fire viewing

TECHNICAL INFORMATION

- Log Length: 25"
- Maximum Burn Time: 12 hours
- Heating Capacity: 1,200 to 2,400 sq. ft.
- Maximum Heat Output: 55,000 BTUs/HR
- Efficiency Rating: 74.3a%
- EPA Emissions Rating: 1.3 grams/hr.
- Weight: 634lbs.
- Flue Collar: 8" round, reversible
- Clearances (with optional shields)
- Back: 18"
- Corner: 17"
- Bottom Heat Shield: Included

OPTIONAL ACCESSORIES

- Dual speed convection fan
- Rear heat shield
- Fan thermostat
- Fan Rheostat
- Short Legs - 2" height
- Stove Surface Thermometer
- Oval to 8" Round Adaptors



MADE IN U.S.A.



A Brand of Monessen Hearth Systems Co.
149 Cleveland Drive, Paris, Kentucky 40361
www.vermontcastings.com

To avoid personal injury or property damage, the product described by this brochure must be installed, operated and maintained in strict compliance with the instructions packaged with the product and all applicable building or fire codes. Contact local building or fire officials about restrictions and installation inspection requirements. All photographs and drawings on this brochure are for illustrative purposes only and are not intended for, nor should they be used as a substitute for the instructions packaged with the unit. Appearance and specifications of the product are subject to change without notice. © 2009 Monessen Hearth Systems Co.