

This Owner's Manual is provided and hosted by [Appliance Factory Parts](#).



GE GDWT360RSS Owner's Manual

[Shop genuine replacement parts for GE GDWT360RSS](#)



[Find Your GE Dishwasher Parts - Select From 6722 Models](#)

----- Manual continues below -----

Installation Instructions

Built-In Dishwasher

If you have questions, call 800.GE.CARES (800.432.2737) or visit our Website at: GEAppliances.com
In Canada call 1.800.561.3344 or www.GEAppliances.ca



BEFORE YOU BEGIN

Read these instructions completely and carefully.

IMPORTANT – Observe all governing codes and ordinances.

- **Note to Installer** – Be sure to leave these instructions for the consumer's and local inspector's use.
- **Note to Consumer** – Keep these instructions with your Owner's Manual for future reference.
- **Skill Level** – Installation of this dishwasher requires basic mechanical, electrical and plumbing skills. **Proper installation is the responsibility of the installer. Product failure due to improper installation is not covered under the GE Appliance Warranty. See warranty information.**
- **Completion Time** – **1 to 3 Hours.** New installations require more time than replacement installations.

IMPORTANT – The dishwasher **MUST** be installed to allow for future removal from the enclosure if service is required.

If you received a damaged dishwasher, you should immediately contact your dealer or builder.

Optional Accessories – See the Owner's Manual for available custom panel kits.

FOR YOUR SAFETY

Read and observe all CAUTIONS and WARNINGS shown throughout these instructions. While performing installations described in this booklet, gloves and either safety glasses or goggles should be worn.



**READ CAREFULLY.
KEEP THESE INSTRUCTIONS.**

Stainless Steel Tub Models

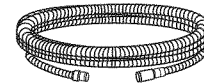
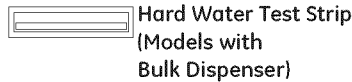
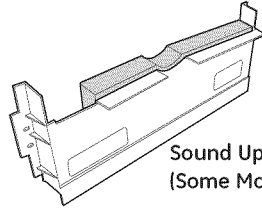
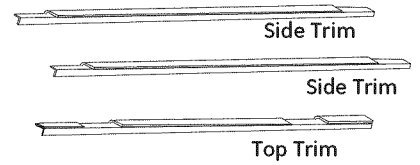
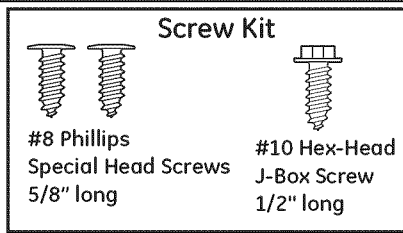


imagination at work

Installation Preparation

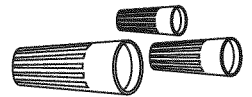
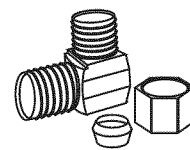
PARTS SUPPLIED WITH INSTALLATION KIT:

- Two #8-18 x 5/8" Phillips special head screws, to secure dishwasher to underside of countertop or sides of cabinets.
- Junction box cover and #10-1/2" hex-head screw
- Side and top trim
- Trim Panel Accessory Kit (not shown) (Custom panel models only)
- Sound upgrade kit (some models)
- Drain hose (78"), drain hose hanger and hose clamp
- Literature, product samples and/or coupons
- Hard water test strip (Models with Bulk Dispenser)



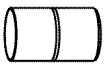
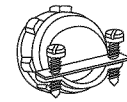
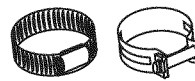
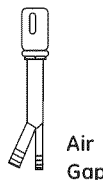
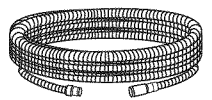
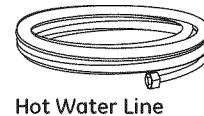
MATERIALS YOU WILL NEED:

- Ferrule, compression nut and 90° Elbow (3/8" NPT external thread on one end, opposite end sized to fit water supply)
- Thread seal tape
- UL-listed wire nuts (3)



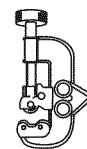
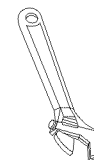
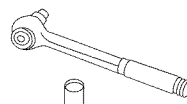
Materials For New Installations Only:

- Air gap for drain hose, if required
- Waste tee for house plumbing, if applicable
- Electrical cable or power cord, if applicable
- Screw-type hose clamps
- Strain relief for electrical connection
- Hand shut-off valve
- Water line 3/8" min. copper
- Coupler for extending drain line, if applicable
- GPF10L 10' drain hose, if needed



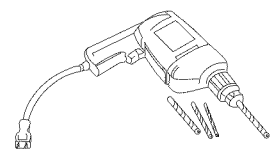
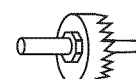
TOOLS YOU WILL NEED:

- Phillips-head screwdriver
- 1/4" and 5/16" nutdriver
- 6" Adjustable wrench
- Level
- Carpenter's square
- Measuring tape
- Safety glasses
- Flashlight
- Bucket to catch water when flushing the line
- 15/16" socket
- Gloves



For New Installations Only:

- Tubing cutter
- Drill and appropriate bits
- Hole saw set



Installation Preparation–Enclosure

PREPARE DISHWASHER ENCLOSURE

⚠ WARNING



To reduce the risk of shock, fire, or injury to persons, the installer must ensure that the dishwasher is completely enclosed at the time of installation.

⚠ ADVERTENCIA



Para reducir el riesgo de choque, incendio o lesión a personas, el instalador se debe cerciorar de que la lavadora esté completamente cerrada en el momento de la instalación.

- The rough cabinet opening must have a minimum width and depth of 24" and height of 34-1/2" ± 1/4" from the floor to the underside of the countertop.
- The back wall should be free of pipes or wires.
- Adjacent cabinets should be square and plumb to ensure a good fit. Refer to Figure A
- For a corner installation, allow 2" minimum clearance between the dishwasher and the adjacent wall.
- Provide at least 28-3/8" in front of the dishwasher to allow the dishwasher door to open fully. Refer to Figure B

- The dishwasher must be installed no more than 10 feet from sink for proper drainage.
- The dishwasher must be fully enclosed on the top, sides and back.
- The dishwasher must not support any part of the enclosure.

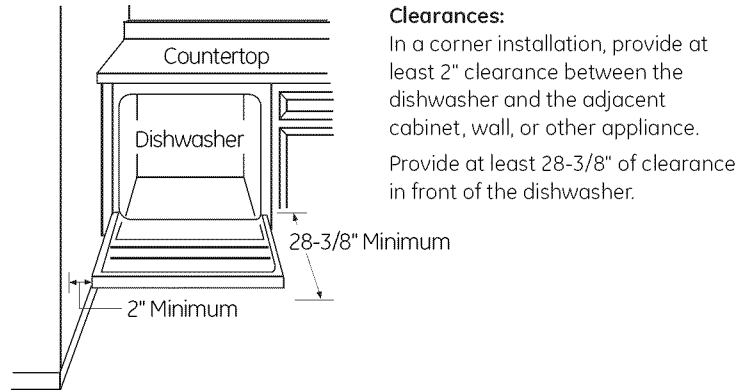


Figure B

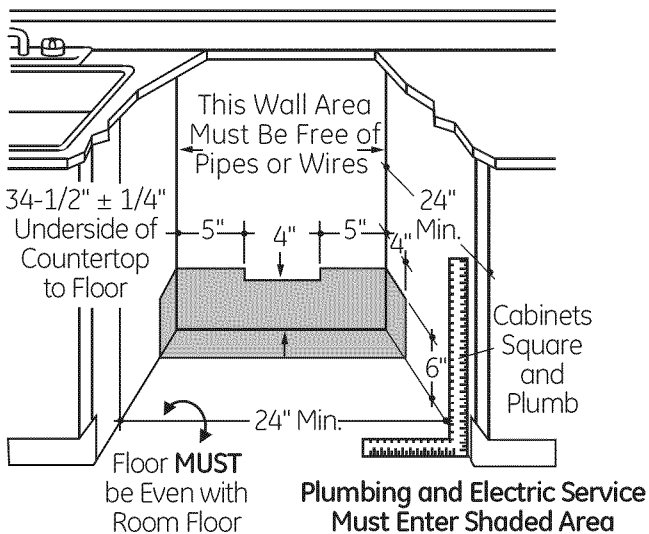


Figure A

- Make sure the floor is level inside the opening and even with the finished floor of the kitchen. This will facilitate removal of the dishwasher at a later date for service, if needed.

Special consideration for a dishwasher installed on a elevated platform

The elevated platform must be flat and level.

Installation Preparation–Drain

PREPARE DRAIN PLUMBING

Drain Requirements

- Drain hose must not exceed 10 feet in length.
- A high drain loop or air gap is required. See below.

Drain Method

The type of drain installation depends on the following:

- Do local codes or ordinances require an air gap?
- Is waste tee less than 18" above the floor?

If the answer to either question is **yes**, an air gap must be used. Refer to **Method 1** (Figure C) in the adjacent illustrations.

If both answers are **no**, either an air gap or high drain loop may be used. Refer to **Method 1** (Figure C) or **Method 2** (Figure D) in the adjacent illustrations

NOTE: Drain hose elevation must not exceed 48".

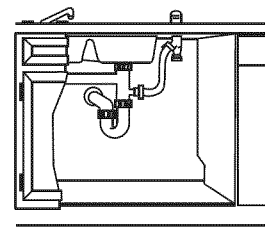
Special consideration for a dishwasher installed on a elevated platform

If the dishwasher is installed on an elevated platform, a high drain loop of at least 32" above the platform must be provided in addition to the air gap or drain loop requirement determined above. This is necessary for proper drain performance.

⚠ CAUTION
 An air gap **MUST BE USED** if the drain hose is connected to waste tee or disposer lower than 18" above the floor level. Failure to provide the proper drain connection height with an air gap or 32" minimum, high drain loop will result in improper draining of the dishwasher, which may cause damage.

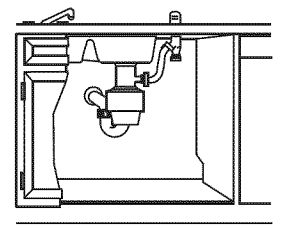
⚠ PRECAUCIÓN
 SE DEBE USAR un espacio de aire si la manguera de drenaje se conecta a la T de desechos o al triturador menos de 18" por encima del nivel del piso. No disponer la altura correcta de la conexión del drenaje con un espacio de aire o 32" de mínimo, una curva alta de drenaje resultará en un drenaje incorrecto de la lavadora, lo que puede causar daños.

METHOD 1–Air Gap with Waste Tee or Disposer



Waste Tee Installation

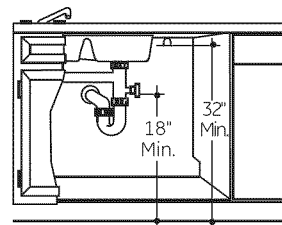
Figure C



Disposer Installation

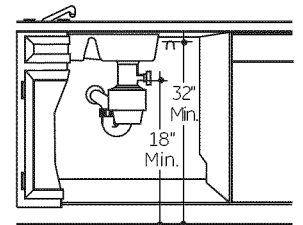
METHOD 2–High Drain Loop with Waste Tee or Disposer

Use the drain hose hanger included in the installation kit to attach the drain hose to the underside of the countertop. Attachment will be made in a later step.



Waste Tee Installation

Figure D



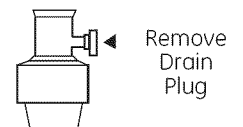
Disposer Installation

Install waste tee or disposer and the air gap according to the manufacturer's instructions.

Cabinet Preparation for drain line

Drill a 1-1/2" diameter hole in the cabinet wall within the shaded area shown in Figure A for the drain hose. Make sure there are no sharp edges. The drain hose will be passed through this hole and connected to the drain in a later step.

IMPORTANT – When connecting the drain line to a disposer, check to be sure that drain plug has been removed. Dishwasher will not drain if plug is left in place.



Installation Preparation–Electrical Supply

PREPARE ELECTRICAL WIRING

⚠ WARNING



FOR PERSONAL SAFETY: Remove house fuse or open circuit breaker before beginning installation. Do not use an extension cord or adapter plug with this appliance.

⚠ ADVERTENCIA



PARA SEGURIDAD PERSONAL: Retire el fusible de la casa o abra el interruptor de circuitos antes de empezar la instalación. No use un cable de extensión o enchufe adaptador con este aparato.

Electrical Requirements

- This appliance must be supplied with 120V, 60Hz., and connected to an individual properly grounded branch circuit protected by a 15- or 20-ampere circuit breaker or time-delay fuse.
- Wiring must be 2 wire with ground and rated for 75°C (176°F).
- If the electrical supply does not meet the above requirements, call a licensed electrician before proceeding.

Grounding Instructions–Permanent Connection

This appliance must be connected to a grounded-metal, permanent wiring system, or an equipment-grounding conductor must be run with the circuit conductors and be connected to the equipment-grounding terminal or lead on the appliance.

Grounding Instructions–Power Cord Models

This appliance must be grounded. In the event of a malfunction or breakdown, grounding will reduce the risk of electric shock by providing a path of least resistance for electric current. This appliance is equipped with a cord having an equipment-grounding conductor and a grounding plug. The plug must be plugged into an appropriate outlet that is installed and grounded in accordance with all local codes and ordinances.

⚠ WARNING



The improper connection of the equipment grounding conductor can result in a risk of electric shock. Check with a qualified electrician or service representative if you are in doubt that the appliance is properly grounded.

⚠ ADVERTENCIA



La conexión incorrecta del conductor de conexión a tierra del equipo puede resultar en choque eléctrico. Consulte con un electricista calificado o representante de servicio si tiene dudas de la conexión a tierra del aparato.

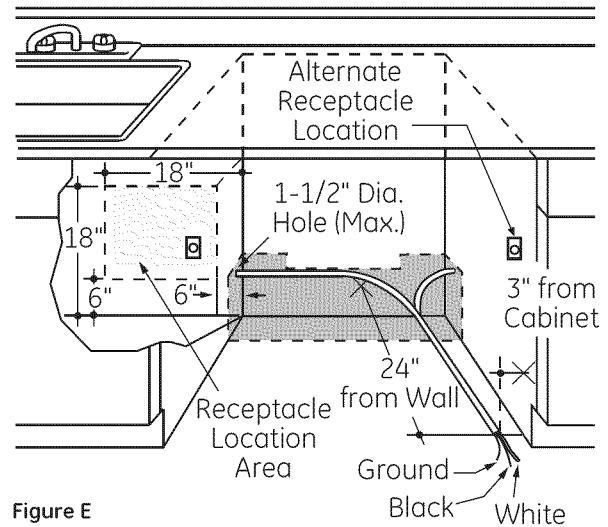


Figure E

For models equipped with power cord: Do not modify the plug provided with the appliance; if it will not fit the outlet, have a proper outlet installed by a qualified technician.

Cabinet Preparation and Wire Routing

- The wiring may enter the opening from either side, rear or the floor within the shaded area dimensioned in Figure A and illustrated above.
- Cut a 1-1/2" max. diameter hole to admit the electrical cable. Cable direct connections may pass through the same hole as the drain hose and hot water line, if convenient. If cabinet wall is metal, the hole edge must be covered with a bushing.
Note: Power cords with plug must pass through a separate hole.

Electrical Connection to Dishwasher

Electrical connection is on the right front of dishwasher.

- For cable direct connections the cable must be routed as shown in Figure E. Cable must extend a minimum of 24" from the rear wall.
- For power cord connections, install a 3-prong grounding type receptacle in the adjacent cabinet rear wall, 6" min. or 18" max. from the opening, 6" to 18" above the floor. The receptacle must be accessible and therefore cannot be installed in the back wall of the dishwasher enclosure.

Installation Preparation–Hot Water Supply

PREPARE HOT WATER SUPPLY

Hot Water Line

- The line may enter from either side, rear or floor within the shaded area shown in Figure F.
- The line may pass through the same hole as the electrical cable and drain hose, or an additional 1-1/2" diameter hole may be cut to accommodate the water line. If a power cord with plug is used, the water line must not pass through the power cord hole.



Figure F

Water Line Connection

- Turn off the water supply.
- Install a hand shut-off valve in an accessible location, such as under the sink. (Optional, but strongly recommended and may be required by local codes.)
- The water connection is on the bottom-left side of the dishwasher. Install the hot water inlet line, using 3/8" or larger copper tubing. Route the line as shown in Figure F and extend forward at least 19" from rear wall.
- Adjust the water heater to deliver water between 120°F and 150°F.
- Flush water line to clean out debris. Use a bucket to catch water and debris.
- The hot water supply line pressure must be between 20 and 120 PSI.

⚠ CAUTION

The hot water supply line pressure must be at least 20 PSI. Lower pressures could cause the water valve to leak and cause water damage.

⚠ PRECAUCIÓN

La línea de presión del suministro de agua caliente debe ser al menos 20 PSI. Presiones inferiores podrían causar que la válvula del agua gotee y causar daños por agua.

Dishwasher Installation

CAUTION

Do not remove the wood base until you are ready to install the dishwasher. The dishwasher will tip over when the door is opened if the base is removed.

PRECAUCIÓN

No retire la base de madera hasta que esté listo para instalar la lavadora de platos. Cuando la puerta se abra, la lavadora de platos se inclinará si la base se retira.

STEP 1 – LOCATE INSTALLATION ITEMS

- Locate the items in the installation package and set aside for use in the listed steps.
- Trim pieces – Step 2
- Junction box cover – Step 7 or Step 18
- Drain hose and clamp – Step 10
- Screw Kit – Step 15
- Drain hose hanger – Step 17
- Owner's Manual – Step 19 and Step 24
- Hard Water test strip – Step 21
- Sound upgrade kit (selected models) – Step 22
- Product samples and/or coupons – Step 24

STEP 2 – INSTALL TRIM PIECES

In this step, you will need the trim pieces set aside in Step 1.

- Press top trim piece onto top of tub flange. Start with the right edge and work your way to the left.
- Repeat process with the left and right trim pieces working from the top down.
- Open and close the door to check that trim does not bind and does not interfere with door latch or door hinges.



Figure G

STEP 3 – CHECK DOOR BALANCE

- With dishwasher on the wood skid, check the door balance by opening and closing the door.
- If the door drops when released, increase the spring tension. If the door rises when released, decrease the tension.
- There are two types of counterbalance and therefore two methods of adjustment. Identify which counterbalance is present and adjust tension accordingly. Please note: If there are 3 holes on the cable, use the cable to adjust; if there is one hole on cable, use the tub leg to adjust.

Type 1 – One-hole cable

Adjust tension by moving spring hook to one of the three holes on the tub leg.



Figure H

Type 2 – Three-hole cable

Adjust tension by moving spring hook to one of the three holes on the pulley cable.



Figure I

After adjusting spring tension, open and close the door to make sure the door operates smoothly. If the door is hard to move or if the spring cable binds, check the routing of the spring cable. The cable should be routed between the shoulders of the pulley cable roller. If the cable is off the roller: latch door, remove spring tension and route the cable between the shoulders of the roller. See Figure J.

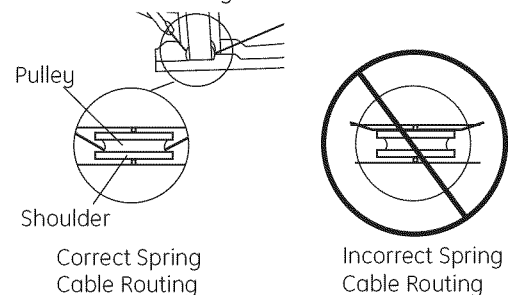


Figure J

Dishwasher Installation

STEP 4 – REMOVE WOOD BASE, INSTALL LEVELING LEGS

IMPORTANT – Do not kick off wood base! Damage will occur.

- Move the dishwasher close to the installation location and lay it on its back.
- Remove the four leveling legs on the underside of the wood base with an adjustable wrench or 15/16" socket.
- Discard base.

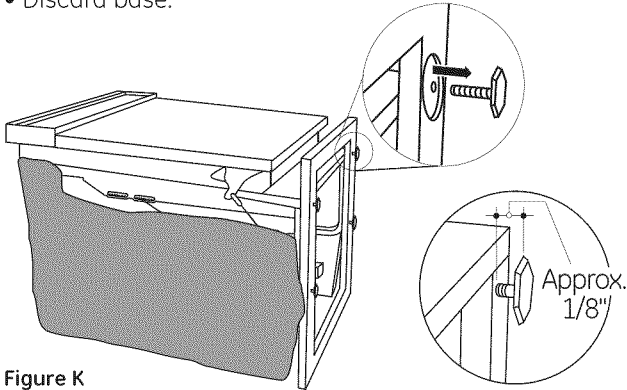


Figure K

- Screw leveling legs back into the dishwasher frame approximately 1/8" from frame as shown.

STEP 5 – REMOVE TOEKICK

- Remove the 2 toekick screws and toekick. Set aside for use in Step 23.

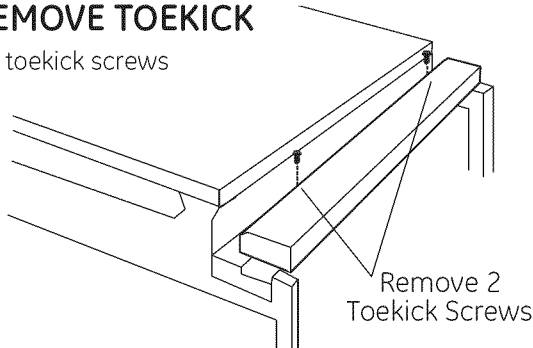


Figure L

STEP 6 – REMOVE TOEKICK BRACE

Skip this step if your model does not have a sound upgrade kit. If your model does have a sound upgrade kit, this brace must be removed.

- Remove the 2 toekick brace screws and toekick brace. Discard brace and set screws aside for use in Step 22.



Figure M

STEP 7 – INSTALL POWER CORD

Skip this step if dishwasher will be permanently connected to the house electrical system.

In this step you will need the junction box cover and the #10 x 1/2" hex-head screw from the screw kit set aside in Step 1.

The power cord and connections must comply with the National Electrical Code, Section 422 and/or local codes and ordinances. Maximum power cord length is 6 feet. Power Cord Kit WX09X70910, available for purchase from an authorized GE Appliance Dealer, meets these requirements.



Figure N

- Install strain relief in junction box bracket.
- Insert power cord through strain relief and tighten.
- Make sure black, white and green dishwasher wires are threaded through small hole in junction box bracket.
- Connect like-colored dishwasher and power cord wires. If power cord wires are not color-coded, connect the ribbed power cord wire to the white dishwasher wire, the smooth power cord wire to the black dishwasher wire and the ground to the green dishwasher wire. Use UL-listed wire nuts of appropriate size.
- Install junction box cover set aside in Step 1, using #10 hex-head screw. Be sure wires are not pinched under the cover.

Dishwasher Installation

STEP 8 – INSTALL 90° ELBOW

- Wrap 90° elbow with thread seal tape.
- Install a 90° elbow onto the water valve.

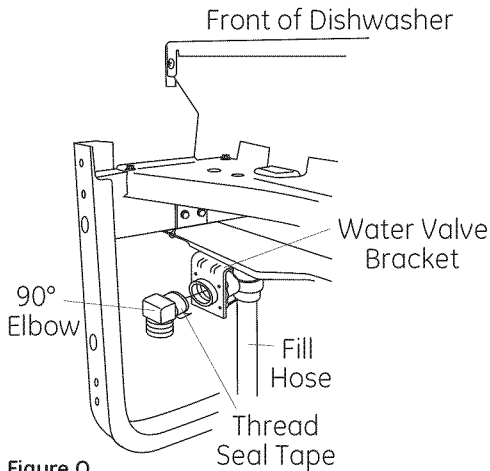


Figure O

- Do not overtighten the 90° elbow; water valve bracket could bend or water valve fitting could break.
- Position the end of the elbow to face the rear of the dishwasher.

STEP 9 – POSITION WATER LINE AND HOUSE WIRING

- Position water supply line and house wiring on the floor of the enclosure to avoid interference with base of dishwasher and components under dishwasher.



Figure P

STEP 10 – INSTALL DRAIN HOSE TO DISHWASHER DRAIN PORT

In this step you will need the drain hose and clamp set aside in Step 1.

- Stand dishwasher upright.
- Place drain hose clamp over 1-3/16" inside diameter end of drain hose with the clamp screw positioned on the bottom of the hose.

IMPORTANT – Prevent drain hose damage and possible leaks. Be careful not to nick or cut the drain hose.

- Push the end of the drain hose over the drain pump outlet being careful not to disturb the check valve. Refer to Figure Q.
- Seat the drain hose end against the hose stops on the pump outlet.
- Position hose clamp against the front lip of the drain hose and tighten clamp.

NOTE: Drain hose supplied with dishwasher is approximately 78" long. If a longer hose is needed, a 120" long hose (10 feet) may be purchased from an authorized GE appliance dealer. The 10' long hose is part number **GPF10L**.



Figure Q

Tip: Avoid unnecessary service charges. Make a leak free connection

Insert hose against stop on pump. Position clamp against front lip of drain hose with clamp screw on bottom side of hose. Tighten clamp to at least 15 inch-pounds of torque.

Tip: Reduce drain pump noise

Position drain hose clamp so screw is on the bottom side of the hose. This will prevent noise caused by the clamp coming in contact with the tub bottom. Refer to Figure Q.

Dishwasher Installation

STEP 11 – INSERT DRAIN HOSE THROUGH CABINET

- Position dishwasher in front of cabinet opening. Insert drain hose into the hole in cabinet side. If a power cord is used, guide the end through a separate hole.

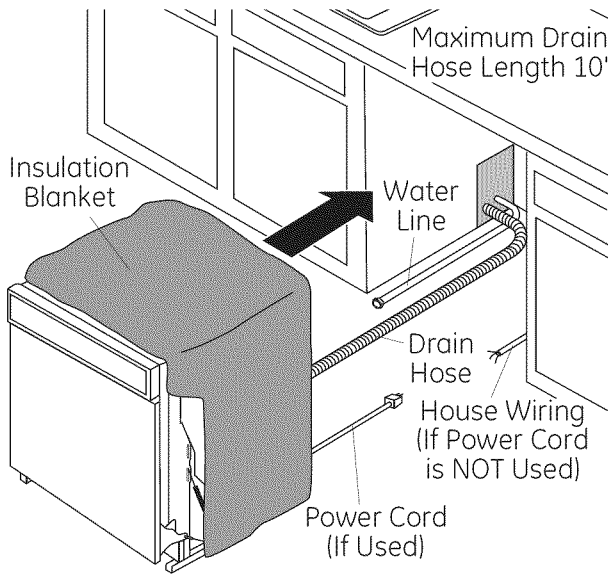


Figure R

Tip: Position water line and house wiring on the floor to avoid interference with base of dishwasher.

STEP 12 – SLIDE DISHWASHER THREE-FOURTHS OF THE WAY INTO CABINET

IMPORTANT – DO NOT PUSH AGAINST FRONT PANEL WITH KNEES. DAMAGE WILL OCCUR.

- Grasp the dishwasher by its sides and slide it into the opening a few inches at a time.



Figure S

- As you proceed, pull the drain hose through the opening under the sink. Stop pushing when the front of the dishwasher is a few inches forward of adjacent cabinets.
- Make sure drain hose is not kinked under the dishwasher and there is no interference with the water line, wiring or any other component.

Tip: Make sure the dishwasher will fit in the cabinet. Check to be sure the power cable, drain hose and hot water line are not trapped behind the dishwasher. Utility lines trapped behind the dishwasher prevent the dishwasher from being pushed fully into the enclosure.

Dishwasher Installation

STEP 13 – SLIDE DISHWASHER INTO FINAL POSITION

- Push the dishwasher the rest of the way into the cabinet.
- Push the sides with your hands. Do not push the dishwasher with your knee, as this will damage the door.
- Check that the tub insulation blanket does not get “bunched up” or interfere with the springs as you slide it into the cabinet.
- Center the dishwasher in the opening.
- Front of door panel should be flush with face of cabinet.
- Carefully open and close the door to ensure that the door panel does not catch or rub on the cabinet frame. Refer to Figure U below.
- If the door catches or rubs on the frame, reposition and/or level the unit (see Step 14) until the door moves freely and does not contact the cabinet frame.

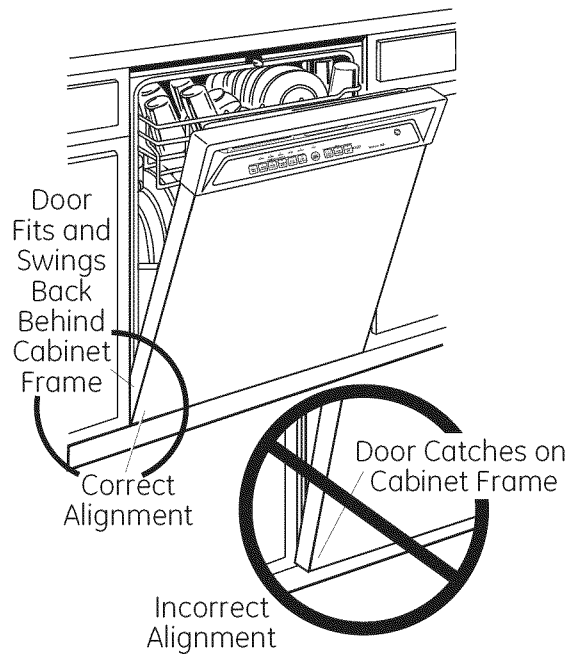


Figure U

Special Considerations for Positioning Top-Mount Control Models

The controls on these models are designed to be hidden by your countertop. Align the dishwasher as shown in Figure V. Leave a 1/2" minimum gap between the underside of the countertop and the top of the dishwasher door as shown in Figure W.

Use the leveling legs to increase or decrease the amount of gap between the controls and the countertop.

For flush installations of the custom panel models, it may be necessary to cut off the back panel of the tub insulation blanket so that the dishwasher door panel can be aligned with the kitchen cabinet panels.

IMPORTANT - Leave a 1/2" minimum gap between the controls and the underside of the countertop to prevent condensation and damage to the control panel from screw heads.

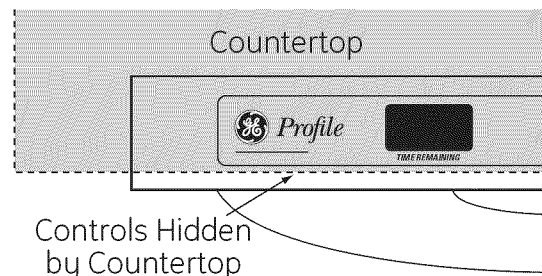


Figure V

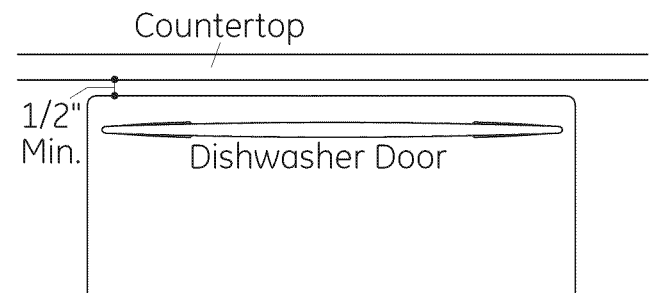


Figure W

Dishwasher Installation

STEP 14 – LEVEL DISHWASHER

IMPORTANT – Dishwasher must be level for proper dish rack operation and wash performance.

- **For Top-Mount Control Models:**
Make sure 1/2" minimum gap is maintained.

- **For All Models:**
Place level on door to check that the dishwasher is level side to side. Remove lower rack, place level on lower rack track inside tub to check that the dishwasher is level front to back.



Figure X

- If the dishwasher is not level, adjust the four leveling legs as illustrated in Figure Y.
- If adjustment to the right-rear leveling leg is required, access it by loosening the junction box bracket screw (through the access hole) and rotate bracket clockwise.

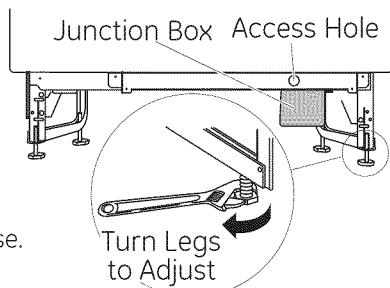


Figure Y

- The dishwasher is properly leveled when the level indicator is centered left to right and front to back. The dishwasher door should close without hitting the sides of the tub.
- Replace the lower rack when leveling is complete.

Tip: Avoid unnecessary service charges for poor wash performance and rack operation.

Pull the dish racks half way out. They should remain stationary. Open and close the door. The door should fit in the tub opening without hitting the side of the tub. If the racks roll on their own, or the door hits the side of the tub, relevel the dishwasher.

IMPORTANT – After leveling, verify that the dishwasher is centered in the enclosure and the door does not hit adjacent cabinets.

STEP 15 – SECURE DISHWASHER TO COUNTERTOP OR CABINET

In this step you will need the 2 Phillips special head screws set aside in Step 1.

The dishwasher must be secured to the countertop or the cabinet sides. When countertops are made of wood, use Method 1. When countertops are granite or other materials that will not accept screws, use Method 2 to secure dishwasher at the sides.



Figure Z

IMPORTANT – Avoid unnecessary service charges. Drive screws straight and flush. Protruding screw heads will scratch the top or sides of the control panel and can interfere with door closing.



Figure AA

Method 1

Secure dishwasher to wood countertop

- Fasten the dishwasher to the underside of the countertop with the 2 Phillips special head screws provided.

Method 2

Secure dishwasher with side-mounting brackets

- Remove plug buttons (one on each side).
- Install screws through the dishwasher side-mount bracket and into the adjacent cabinet on each side. Reinstall plug buttons.



Figure BB

Either Method—For Top-Mount Control Models. Make certain 1/2" gap minimum is maintained.

- When step is complete, close dishwasher door and verify that gap between countertop and top of dishwasher door is at least 1/2".



Figure CC

Dishwasher Installation

STEP 16 – CONNECT WATER SUPPLY

Connect water supply line to the 90° elbow.

- Slide compression nut, then ferrule over end of water line.
- Insert water line into 90° elbow.
- Slide ferrule against elbow and secure with compression nut.

IMPORTANT – Check to be sure that door spring does not rub or contact the fill hose or water supply line. Test by opening and closing the door. Reroute the lines if a rubbing noise or interference occurs.



Figure DD

STEP 17 – CONNECT DRAIN LINE

The molded end of the drain hose will fit 5/8" through 1" diameter inlet ports on the air gap, waste tee or disposer.

- Determine size of inlet port
- Cut drain hose connector on the marked line, if required, to fit the inlet port.



Figure EE

- If a longer drain hose is required, and you did not purchase 10' long GPF10L drain hose, add up to 3-1/2' of length for a total of 10' to the factory-installed hose. Use 5/8" or 7/8" inside diameter hose and a coupler to connect the two hose ends. Secure the connection with hose clamps.



Figure FF

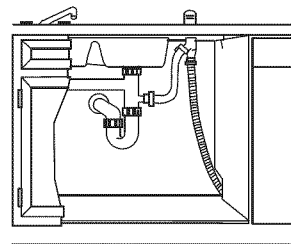
NOTE: TOTAL DRAIN HOSE LENGTH MUST NOT EXCEED 10' FOR PROPER DRAIN OPERATION.

DRAIN LINE INSTALLATION

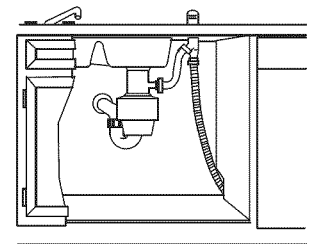
- Connect drain line to air gap, waste tee or disposer using the previously determined method.
- Secure the drain hose to the air gap, waste tee or disposer with clamps.

Method 1 – Air gap with waste tee or disposer

Insert the drain hose into the air gap as shown.



Waste Tee Installation



Disposer Installation

Figure GG

Method 2 – High Drain Loop with the Waste Tee or Disposer

Route the drain hose of the dishwasher to a minimum height of 32" from the floor with the supplied hanger as shown.



Waste Tee Installation



Disposer Installation

Figure HH

IMPORTANT – One of the above methods must be used or dishwasher will not operate properly.

IMPORTANT – When connecting drain line to disposer, check to be sure that drain plug has been removed. **DISHWASHER WILL NOT DRAIN IF PLUG IS LEFT IN PLACE.**



Tip: Avoid unnecessary service call charges. Always be sure disposer drain plug has been removed before attaching dishwasher drain hose to the disposer.

Dishwasher Installation

STEP 18 – CONNECT POWER SUPPLY

Skip this step if dishwasher is equipped with power cord. Verify that power is turned off at the source.

- Locate junction box cover set aside in Step 1.
- Secure house wiring to the back of the junction box with a strain relief.
- Locate the three dishwasher wires, (white, black and green) with stripped ends. Insert dishwasher wires through the small hole in the junction box. Connect like-colored dishwasher and power cable wires using UL-listed wire nuts of appropriate size.
- Install the junction box cover. Check to be sure that wires are not pinched under the cover.



Figure II

⚠ WARNING If house wiring is not 2-wire with a ground wire, a ground must be provided by the installer.

When house wiring is aluminum, be sure to use U.L.-listed anti-oxidant compound and aluminum-to-copper connectors.

⚠ ADVERTENCIA Si el cableado de la casa no es de 2 cables con un cable de conexión a tierra, el instalador debe suministrar una conexión a tierra.

Cuando el cableado de la casa es en aluminio, cerciórese de usar un compuesto anti-oxidante aprobado por U.L. y un compuesto de aluminio a cobre.

STEP 19 – PRETEST CHECKLIST

Review this list after installing your dishwasher to avoid charges for a service call that is not covered by your warranty.

- Check to be sure power is OFF.
- Open door and remove all foam and paper packaging.
- Locate the Owner's Manual set aside in step 1.
- Read the Owner's Manual for operating instructions.
- Check door opening and closing. If door does not open and close freely, check for proper routing of spring cable over pulley. If door drops or closes when released, adjust spring tension. See Step 3, Figure J.
- Check to be sure that wiring is secure under the dishwasher, not pinched or in contact with door springs or other components. See Step 9.
- Check door alignment with tub. If door hits tub, level dishwasher. See Step 14.
- Pull lower rack out, about halfway. Check to be sure it does not roll back or forward on the door. If the rack moves, adjust leveling legs. See Step 14.
- Check door alignment with cabinet. If door hits cabinet, reposition or relevel dishwasher. See Steps 13, 14 and 15.
- Check that door spring does not contact water line, fill hose or other components. See Step 16.
- Verify water supply and drain lines are not kinked or in contact with other components. Contact with motor or dishwasher frame could cause noise. See Steps 9 and 11.
- Turn on the sink hot water faucet and verify water temperature. Incoming water temperature must be between 120°F and 150°F. A minimum of 120°F temperature is required for best wash performance. See "Prepare Hot Water Supply," page 6.
- Add 2 quarts of water to the bottom of the dishwasher to lubricate the pump seal.
- Turn on water supply. Check for leaks. Tighten connections if needed.
- Remove protective film if present from the control panel and door.
- Avoid service call charges by ensuring there is an air gap or drain hose routed through the required 32" minimum height.

Dishwasher Installation

STEP 20 – DISHWASHER WET TEST

- Turn on power supply (or plug power cord into outlet, if equipped).
- Start the unit to check for leaks.
 - Front-Mount Control Models:**
 - Close & latch door
 - Push RINSE ONLY pad
 - Push START/RESET pad one time
 - Top-Mount Control Models:**
 - Push RINSE ONLY pad
 - Push START/RESET pad one time
 - Close & latch door
- Check to be sure that water enters the dishwasher. If water does not enter the dishwasher, check to be sure that water and power are turned on.
- Check for leaks under the dishwasher. If a leak is found, turn off power supply, then tighten connections. Restore power after leak is corrected.
- Check for leaks around the door. A leak around the door could be caused by door rubbing or hitting against adjacent cabinet. Reposition the dishwasher if necessary. See Steps 13, 14 and 15.
- The dishwasher will drain and turn off about 5 minutes after it was started. Check drain lines. If leaks are found, turn off power supply and correct plumbing as necessary. Restore power after corrections are made. See Step 10 and 17.
- Open dishwasher door and make sure most of the water has drained. If not, check to be sure disposer plug has been removed and/or air gap is clear. See Step 17. Also check drain line to be sure it is not kinked.
- Run the dishwasher through another "Rinse Only" cycle. Check for leaks and correct if required.

STEP 21 – Set Water Hardness

Models with bulk dispenser only. Skip this step if your dishwasher does not have the bulk dispense feature.

- Locate the hard water test strip set aside in Step 1.
- Remove strip from package.
- Turn on the hot water and hold the strip under the stream, following the directions on the package.
- Use the value on the test strip to calibrate your dishwasher for water hardness. Refer to the section titled "Water Hardness Calibration" in your Owner's Manual for information on how to calibrate your dishwasher.

STEP 22 – INSTALL SOUND UPGRADE KIT IF EQUIPPED

Skip this step if your model does not have the Sound Upgrade Kit.

- Locate sound upgrade kit set aside in Step 1 and the two screws set aside in Step 6.
- Attach the plastic Sound Panel as shown in Figure LL using the two screws. The lower set of mounting holes should be used.
- Be sure the sound panel is seated in the notches on frame as shown in Figure JJ.

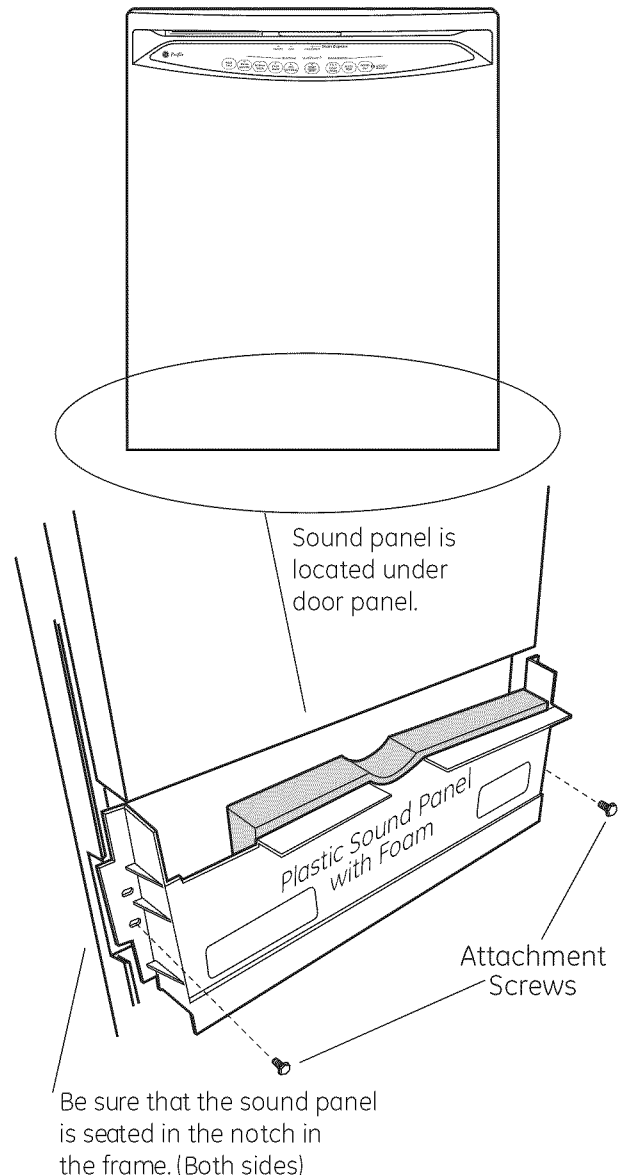


Figure JJ

Dishwasher Installation

STEP 23 – INSTALL TOEKICK

- Locate toekick and screws set aside in step 5.

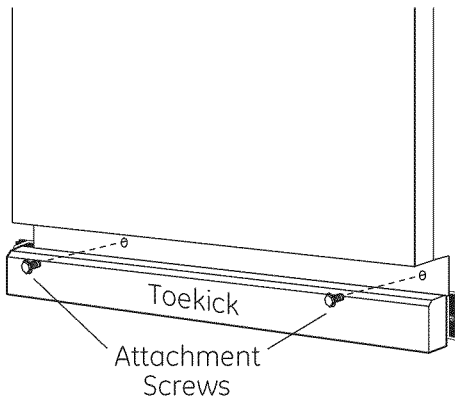


Figure KK

- Replace the toekick and make sure it is against the floor.
- Insert and tighten the 2 toekick attachment screws. The toekick should stay in contact with the floor to ensure quiet dishwasher operation.

STEP 24 – LITERATURE

- Be sure to leave complete literature package, Installation Instructions and product samples with the consumer.

SPECIFICATIONS SUBJECT TO CHANGE WITHOUT NOTICE

GE Consumer & Industrial
General Electric Company
Louisville, Kentucky 40225

GEAppliances.com

206C1559P199 31-30260 07-09 JR

Instructions d'installation

Lave-vaisselle encastré

Si vous avez des questions, appelez 800.GE.CARES ou visitez notre site Web : GEAppliances.com

Au Canada, appelez le 1.800.561.3344 ou visitez : www.electromenagersge.ca



AVANT DE COMMENCER

Il faut lire soigneusement toutes ces instructions.

IMPORTANT – Il faut respecter tous les codes et règlements.

- **Remarque pour l'installateur** – Il faut prendre soin de laisser ces instructions pour le client et l'inspecteur local.
- **Remarque pour le consommateur** – Il faut garder ces instructions avec le manuel d'utilisation, pour consultation ultérieure.
- **Niveau de compétence** – L'installation de ce lave-vaisselle demande des connaissances mécaniques, électriques et de plomberie de base. **L'installateur est responsable de l'installation appropriée. La garantie des appareils ménagers de GE ne couvre pas les défaillances du produit causées par une mauvaise installation. Consulter les renseignements dans la garantie.**
- **Durée d'installation – 1 à 3 heures.** Les installations initiales demandent plus de temps que les installations de remplacement.

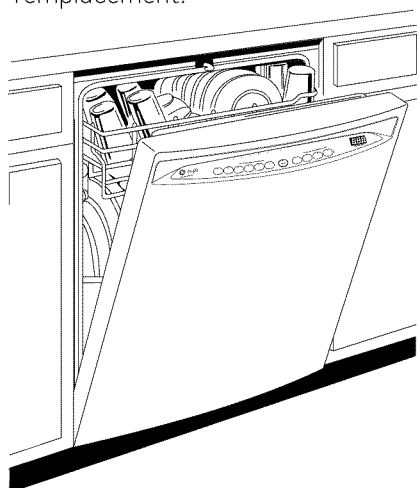
IMPORTANT – Le lave-vaisselle DOIT être installé de manière à permettre la dépose ultérieure de l'enceinte afin de permettre toute intervention.

Si le lave-vaisselle livré est endommagé, il faut contacter immédiatement le concessionnaire ou l'entrepreneur de construction.

Accessoires optionnels – Consulter la liste de nécessaires de panneaux de finition dans le manuel d'utilisation.

SÉCURITÉ

Il faut lire et observer tous les avertissements (PRUDENCE et ATTENTION) montrés dans ces instructions. Pendant l'installation décrite dans ce livret, il faut porter des gants et des lunettes de sécurité.



**LIRE ATTENTIVEMENT.
IL FAUT GARDER CES INSTRUCTIONS.**

Modèles à cuve en acier inoxydable

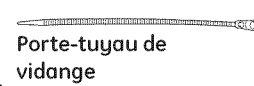
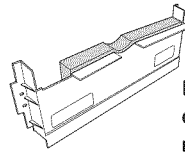


imagination at work

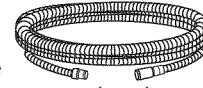
Préparation pour l'installation

PIÈCES FOURNIES AVEC LE KIT D'INSTALLATION :

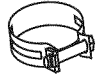
- Deux vis spéciales à tête cruciforme n° 8-18 x 5/8 po, pour fixer le lave-vaisselle au-dessous du plan de travail.
- Un couvercle de boîte de jonction et une vis à tête hexagonale n° 10-1/2 po
- Finition latérale et supérieure
- Kit d'accessoires de finition de panneau (non illustré) (Uniquement pour les modèles à panneaux sur mesure)
- Kit de réduction de bruit (certains modèles)
- Tuyau de vidange de 198 cm (78 po), porte-tuyau de vidange et collier de tuyau
- Documentation, échantillons et/ou coupons de réduction
- Bande d'essai d'eau dure (modèles à distributeur en vrac)



Bande d'essai d'eau dure (modèles à distributeur en vrac)



Tuyau de vidange (198 cm) (78 po)



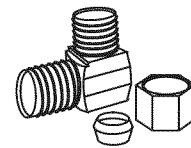
Collier de tuyau

MATÉRIAUX NÉCESSAIRES :

- Bague, écrou de compression et coude à angle droit (filetage externe de 3/8 po à une extrémité, l'autre extrémité correspondant à l'alimentation d'eau)
- Ruban d'étanchéité de filetage
- Serre-fils sur la liste UL (3)

Matériaux uniquement requis en cas d'installation initiale :

- Dispositif anti-siphon pour le tuyau de vidange, si nécessaire
- Raccord en té pour la plomberie d'égout, si nécessaire
- Câble électrique ou cordon d'alimentation
- Colliers de tuyau à vis
- Dispositif de réduction de tension pour les branchements électriques
- Robinet
- Conduite d'eau en cuivre de 3/8 po minimum
- Manchon de raccord pour rallonger le tuyau de vidange, le cas échéant
- Tuyau de vidange GPF10L (longueur de 3 m [10 pi]) si nécessaire



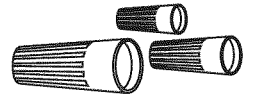
Coude à angle droit, bague et écrou de compression



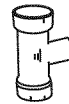
Robinet



Ruban d'étanchéité de filetage



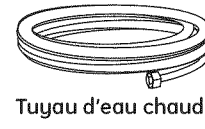
Serre-fils (3)



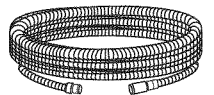
Raccord en té d'égout



Câble électrique (ou cordon d'alimentation, si nécessaire)



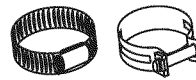
Tuyau d'eau chaude



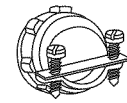
Tuyau de vidange GPF10L de 3 m (10 pi) en option



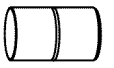
Dispositif anti-siphon



Collier de tuyau à vis



Dispositif de réduction de tension



Manchon

OUTILS NÉCESSAIRES :

- Tournevis cruciforme
- Tournevis à douille de 1/4 po et 5/16 po
- Clé à molette de 15 cm (6 po)
- Niveau
- Équerre de menuisier
- Mètre ruban
- Lunettes de sécurité
- Lampe de poche
- Seau pour attraper l'eau lors de la purge du tuyau
- Douille de 15/16 po
- Gants

Pour les installations initiales seulement :

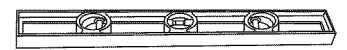
- Coupe-tube
- Perceuse et mèches appropriées
- Scie-cloche



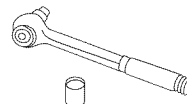
Tournevis cruciforme



Tournevis à douille de 5/16 po et 1/4 po



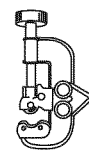
Niveau



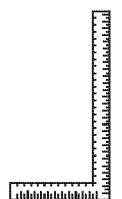
Douille de 15/16 po



Clé à molette de 15 cm (6 po)



Coupe-tube



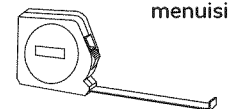
Equerre de menuisier



Lampe de poche



Lunettes de sécurité



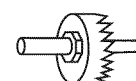
Mètre ruban



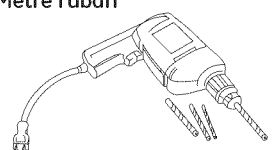
Gants



Seau



Scie-cloche




Perceuse et mèches appropriées

Préparation pour l'installation - Enceinte

PRÉPARATION DE L'ENCEINTE DU LAVE-VAISSELLE

⚠ AVERTISSEMENT



Pour réduire le risque de choc électrique, d'incendie ou de blessures, l'installateur doit s'assurer, au moment de l'installation, que le lave-vaisselle est complètement enclos.

- L'ouverture de l'armoire non dégrossie doit avoir une largeur et une profondeur d'au moins 61 cm (24 po) et une hauteur de 87 cm (34-1/4 po) ± 6 mm (1/4 po) du sol à la surface du dessous du plan de travail.
- Il ne peut y avoir ni tuyaux, ni fils électriques sur la paroi arrière.
- Les armoires adjacentes doivent être à l'équerre et d'aplomb pour assurer un encastrement parfait. Voir la figure A.
- En cas d'installation dans un coin, prévoir un dégagement d'au moins 5 cm (2 po) entre le lave-vaisselle et le mur adjacent.
- Prévoir un dégagement d'au moins 72 cm (28-3/8 po) devant le lave-vaisselle pour permettre l'ouverture complète de la porte. Voir la figure B.

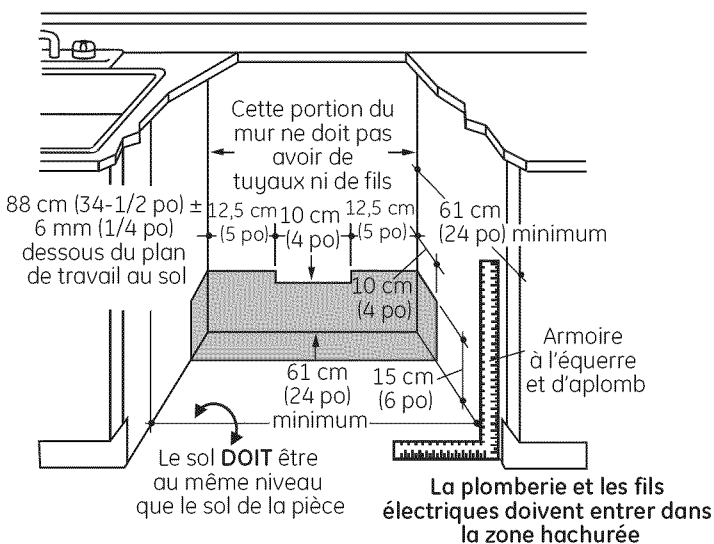


Figure A

- Vérifier que le sol à l'intérieur de l'ouverture d'armoire est plane et à niveau avec le revêtement de sol de la cuisine. Ceci facilite l'enlèvement du lave-vaisselle en cas de réparation ultérieure, si nécessaire.

Conditions spéciales s'appliquant à un lave-vaisselle monté sur une plate-forme

La plate-forme doit être plane et à niveau.

- Il faut installer le lave-vaisselle à moins de 3 m (10 pi) de l'évier pour que l'écoulement soit adéquat.
- Le lave-vaisselle doit être entièrement enclos sur le haut, les côtés et l'arrière.
- Le lave-vaisselle ne peut toucher aucune partie de l'enceinte.

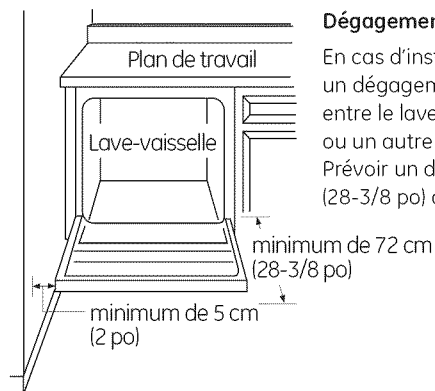


Figure B

Préparation pour l'installation - Vidange

PRÉPARATION DE LA PLOMBERIE DE VIDANGE

Exigences de vidange

- Le tuyau de vidange ne peut pas être plus de 3 m (10 pi) de long.
- Une boucle de vidange élevée ou un dispositif anti-siphon est requis. Voir ci-dessous.

Méthode de vidange

Le type d'installation de vidange est lié aux conditions suivantes :

- Est-ce que les codes ou règlements locaux exigent un dispositif anti-siphon ?
- Est-ce que le raccord en té d'égout se trouve à moins de 46 cm (18 po) du sol ?

Si la réponse à une de ces questions est **OUI**, il faut utiliser un dispositif anti-siphon. Se reporter à la **méthode 1** (figure C) des illustrations adjacentes.

Si la réponse est **non** aux deux questions, il faut utiliser soit un dispositif anti-siphon, soit une boucle de vidange élevée. Se reporter à la **méthode 1** (figure C) ou la **méthode 2** (figure D) des illustrations adjacentes.

REMARQUE : La hauteur d'élévation du tuyau de vidange ne peut dépasser 122 cm (48 po).

Conditions spéciales s'appliquant à un lave-vaisselle monté sur plate-forme

En cas d'installation du lave-vaisselle sur une plate-forme, il faut prévoir une boucle de vidange élevée d'au moins 81 cm (32 po) au-dessus de la plate-forme en plus du dispositif anti-siphon ou de la boucle de vidange prévu précédemment. Cette mesure assure un écoulement adéquat de l'eau.

! PRUDENCE :

Il FAUT utiliser un dispositif anti-siphon si le raccord du tuyau de vidange au raccord en té d'égout ou au broyeur à déchets est à moins de 46 cm (18 po) du niveau du sol. Le lave-vaisselle risque de ne pas se vider correctement et de s'endommager si le raccord de vidange n'est pas à la bonne hauteur avec un dispositif anti-siphon ou une boucle de vidange élevée d'au moins 81 cm (32 po).

MÉTHODE 1 – Dispositif anti-siphon avec raccord en té d'égout ou de broyeur à déchets

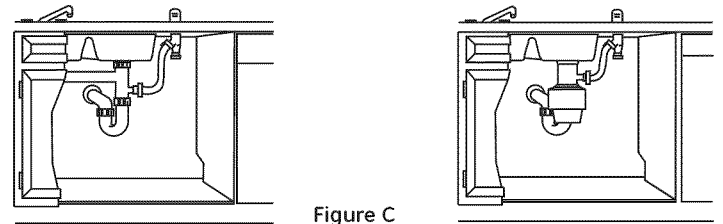


Figure C

Installation avec un raccord en té d'égout

Installation avec un broyeur à déchets

MÉTHODE 2 – Boucle de vidange élevée avec un raccord en té d'égout ou broyeur à déchets

Utiliser le porte-tuyau de vidange compris dans le kit de montage pour suspendre le tuyau de vidange sous le plan de travail. Ceci sera accompli à une étape ultérieure.

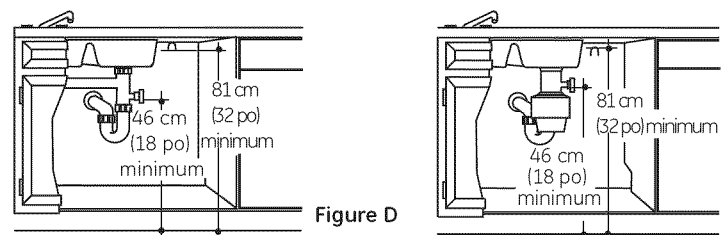


Figure D

Installation avec un raccord en té d'égout

Installation avec un broyeur à déchets

Installer le raccord en té d'égout ou le broyeur et le dispositif anti-siphon selon les directives du fabricant.

Préparation de l'armoire pour l'installation du tuyau de vidange

Percer un trou de 38 mm (1-1/2 po) dans la paroi de l'armoire dans la zone hachurée indiquée à la figure A pour le passage du tuyau de vidange. Vérifier que les bords du trou sont lisses. Dans une étape ultérieure, il faut glisser le tuyau de vidange au travers du trou pour le raccorder au drain.

IMPORTANT – Pendant le branchement du tuyau de vidange au broyeur à déchets, vérifier que le bouchon de vidange a été enlevé. Le lave-vaisselle ne peut pas se vider si le bouchon est en place.



Préparation pour l'installation - Alimentation électrique

PRÉPARATION POUR LE BRANCHEMENT ÉLECTRIQUE

⚠ AVERTISSEMENT SÉCURITÉ :

Enlever le fusible du circuit ou déclencher le disjoncteur avant de commencer l'installation. Avec cet appareil, ne pas utiliser une rallonge ou un adaptateur de prise.



Alimentation électrique

- Cet appareil doit avoir une alimentation en 120 V, 60 Hz, et être branché à un circuit indépendant correctement mis à la terre, protégé par un disjoncteur de 15 ou 20 A ou un fusible temporisé.
- Le branchement doit être fait avec deux fils plus un fil de terre, homologués pour une température de 80 °C (176 °F).
- Si l'alimentation électrique n'est pas conforme à ces conditions, appeler un électricien agréé avant de continuer.

Mise à la terre – Raccord permanent

Cet appareil doit être raccordé de façon permanente à un réseau de fils métalliques mis à terre ou il faut installer un fil de mise à terre avec les fils d'alimentation. Ce fil doit être branché à la borne de terre de l'équipement ou à un fil sur l'appareil.

Instructions de mise à la terre – Modèles avec un cordon d'alimentation

Cet appareil doit être mis à la terre. En cas de mauvais fonctionnement ou de panne, la mise à la terre réduit le risque de choc électrique en fournissant un passage de moindre résistance au courant électrique. Cet appareil est équipé d'un cordon d'alimentation avec un conducteur de mise à la terre et une fiche de terre. Il faut brancher la fiche dans une prise appropriée, installée et mise à la terre conformément aux codes et règlements locaux.

⚠ AVERTISSEMENT

Le mauvais branchement du conducteur de mise à la terre peut causer des risques de choc électrique. En cas de doute sur la mise à la terre de l'appareil, consulter un électricien agréé ou un technicien de réparation. Ne pas modifier la fiche fournie avec l'appareil.



Modèles équipés d'un cordon d'alimentation : Ne pas modifier la fiche fournie avec l'appareil. Si la fiche ne correspond pas à la prise, faire installer une prise appropriée par un électricien qualifié.

Préparation de l'armoire et du passage des fils

- Les fils doivent entrer dans la cavité d'un côté ou de l'autre, de l'arrière ou du sol, dans la zone hachurée dont les dimensions sont détaillées à la figure A et qui est illustrée ci-dessus.
- Couper un trou de 38 mm (1-1/2 po) de diamètre maximum pour permettre le passage des fils d'alimentation électrique. Le câble de branchement direct peut passer dans le même trou que le tuyau de vidange et le tuyau d'eau chaude, si c'est plus pratique. Si le mur de l'armoire est métallique, le bord du trou doit être protégé par un œillet. **REMARQUE :** Le cordon d'alimentation avec une fiche doit passer dans un trou séparé.

Branchement électrique du lave-vaisselle

Le branchement électrique se fait sur le côté droit du lave-vaisselle.

- Pour les branchements directs, le câble doit passer comme montré à la figure E. Il doit y avoir une longueur de câble d'au moins 61 cm (24 po) dépassant du mur arrière.
- Pour le branchement avec un cordon d'alimentation, installer une prise à trois broches sur le mur arrière de l'armoire d'évier, de 15 cm (6 po) minimum ou 46 cm (18 po) maximum de l'ouverture, de 15 cm à 46 cm (6 à 18 po) au-dessus du sol. La prise doit être accessible et, de ce fait, ne doit pas être montée sur la paroi arrière de l'enceinte du lave-vaisselle.

Préparation pour l'installation - Alimentation d'eau chaude

PRÉPARATION DE L'ALIMENTATION D'EAU CHAUDE

Tuyau d'eau chaude

- Le tuyau peut entrer d'un côté ou de l'autre, de l'arrière ou du sol, dans la zone hachurée montrée à la figure F.
- Le tuyau peut passer dans le même trou que le câble électrique et le tuyau de vidange. Il est aussi possible de couper un trou supplémentaire de 38 mm (1-1/2 po) de diamètre uniquement pour le tuyau d'eau. En cas d'utilisation d'un cordon d'alimentation avec une fiche, celui-ci doit passer dans le trou d'alimentation électrique.



Figure F

Branchement du tuyau d'eau

- Couper l'alimentation d'eau.
- Installer un robinet d'arrêt manuel dans un endroit accessible - par exemple, sous l'évier. (En option, mais fortement recommandé et peut être exigé par les codes locaux.)
- La conduite d'eau se branche au côté gauche inférieur du lave-vaisselle. Installer la conduite d'alimentation d'eau chaude avec un tuyau en cuivre de minimum 9 mm (3/8 po). Acheminer la conduite tel illustré à la figure F et l'amener à un minimum de 48 cm (19 po) du mur arrière.
- Régler le chauffe-eau pour que l'eau sorte à une température de 49 à 65 °C (120 à 150 °F).
- Purger la conduite d'eau pour éliminer tous les débris. Laisser couler l'eau et les débris dans un seau.
- La pression de la conduite d'alimentation d'eau chaude doit être entre 1,4 et 8,3 bar (20 et 120 psi).



PRUDENCE :

La pression de la conduite d'alimentation d'eau chaude doit être d'au moins 1,4 bar (20 psi). Une pression plus faible risque de causer une fuite dans le robinet et des dégâts d'eau.

Installation du lave-vaisselle



PRUDENCE :

Ne pas enlever la palette en bois avant d'être prêt à installer le lave-vaisselle. Le lave-vaisselle bascule lorsque la porte est ouverte sans la base.

ÉTAPE 1 : PIÈCES REQUISES POUR L'INSTALLATION

Trouver les pièces suivantes dans le kit d'installation et les mettre de côté aux fins d'utilisation aux étapes indiquées.

- Pièces de finition – étape 2
- Couvercle de boîte de jonction – étape 7 ou 18
- Tuyau de vidange et bride de fixation – étape 10
- Ensemble de vis – étape 15
- Porte-tuyau de vidange – étape 17
- Manuel de l'utilisateur – étapes 19 et 24
- Bande d'essai d'eau dure – étape 21
- Kit de réduction de bruit (certains modèles) – étape 22
- Échantillons et/ou coupons de réduction – étape 24

ÉTAPE 2 – INSTALLATION DES PIÈCES DE FINITION

Cette étape requiert les pièces de finition mises de côté à l'étape 1.

- Presser la pièce de finition supérieure sur le haut du rebord du bac. Commencer par le rebord droit et continuer vers la gauche.
- Reprendre l'étape avec les pièces de finition gauche et droite en allant de haut en bas.
- Ouvrir et fermer la porte pour vérifier que la finition ne coince pas et n'entrave pas le verrou ou les charnières de la porte.



Figure G

ÉTAPE 3 - VÉRIFICATION DE L'ÉQUILIBRE DE LA PORTE

- En laissant le lave-vaisselle sur la palette en bois, ouvrir et fermer la porte pour vérifier son équilibre.
- Il faut augmenter la tension des ressorts si la porte baisse lorsqu'on la lâche. Il faut diminuer la tension si la porte s'élève lorsqu'on la lâche.
- Il y a deux types de contrepoids et, par conséquent, deux méthodes de réglage. Identifier le type de contrepoids et ajuster la tension en conséquence. Remarque. - Utiliser le câble pour l'ajustement s'il est muni de trois trous ; s'il n'a qu'un seul trou, utiliser le pied du bac.

Type 1 – Câble à un trou

Ajuster la tension en plaçant le crochet de ressort dans un des trois trous du pied du bac.

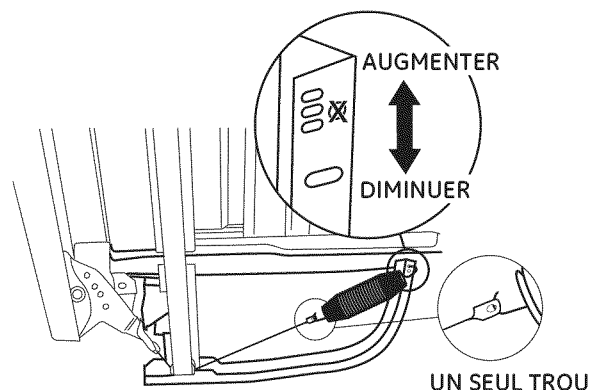


Figure H

Type 2 – Câble à trois trous

Ajuster la tension en plaçant le crochet de ressort dans un des trois trous du câble de la poulie.



Figure I

Après avoir ajusté la tension du ressort, ouvrir et fermer la porte pour vérifier son fonctionnement. Si la porte se déplace difficilement ou le câble du ressort se coince, vérifier l'acheminement du câble du ressort. Le câble doit reposer entre les épaulements de la poulie du câble. Si le câble ne se trouve pas sur la poulie : verrouiller la porte, relâcher la tension du ressort et réacheminer le câble entre les épaulements de la poulie. Voir figure J.

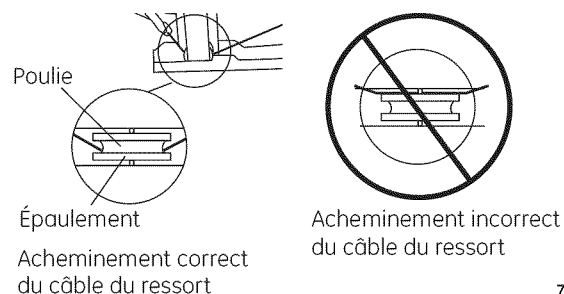


Figure J

Installation du lave-vaisselle

ÉTAPE 4 : DÉPOSE DE LA PALETTE EN BOIS, INSTALLATION DES PIEDS DE MISE À NIVEAU

IMPORTANT – Ne pas enlever la palette en donnant des coups de pied ! Ceci risque d'endommager le lave-vaisselle.

- Emmener le lave-vaisselle proche du lieu de son installation et le basculer sur le dos.
- Enlever les quatre pieds de mise à niveau de dessous de la palette avec une clé à douilles de 15/16 po.
- Enlever la palette.



Figure K

- Visser de nouveau les pieds de mise à niveau dans le cadre du lave-vaisselle jusqu'à environ 3,2 mm (1/8 po) du cadre, tel illustré.

ÉTAPE 5 : DÉPOSE DE LA PLINTHE

- Enlever les deux vis de la plinthe et la plinthe. Les mettre de côté pour utilisation à l'étape 23.

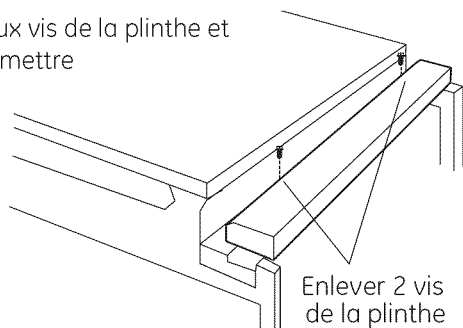


Figure L

ÉTAPE 6 : DÉPOSE DU SUPPORT DE PLINTHE

Sauter cette étape si le modèle n'est pas équipé d'un kit de réduction de bruit. Ce support doit être enlevé si le modèle est équipé d'un kit de réduction de bruit.

- Enlever les deux vis de support de plinthe et le support de plinthe. Jeter le support et mettre les vis de côté en vue d'utilisation à l'étape 22.

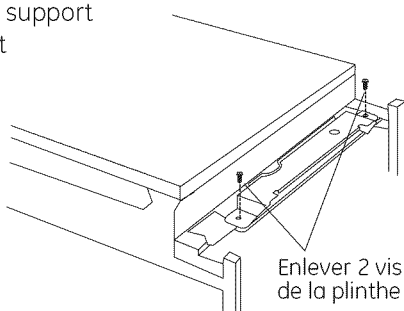


Figure M

ÉTAPE 7 : INSTALLATION DU CORDON D'ALIMENTATION

Sauter cette étape si le lave-vaisselle doit être branché de manière permanente sur le circuit électrique de la maison. À cette étape, trouver le couvercle de la boîte de jonction et la vis n° 10 de 1/2 po à tête à six pans mis de côté à l'étape 1.

Le cordon d'alimentation et les branchements doivent être conformes au code national d'électricité et aux codes et règlements locaux. La longueur maximale du cordon électrique est de 2 mètres (6 pi). Le kit de cordon d'alimentation WX09X70910, en vente chez les distributeurs agréés d'appareils ménagers GE, satisfait à ces critères.



Figure N

- Installer le réducteur de tension sur le support de la boîte de jonction.
- Glisser le cordon électrique au travers du réducteur de tension et serrer.
- Vérifier que les fils noir, blanc et vert du lave-vaisselle passent au travers du petit trou du support de boîte de jonction.
- Raccorder les fils du cordon électrique aux fils de couleur correspondante du lave-vaisselle. Si les fils d'alimentation électrique ne sont pas codés couleur, raccorder le fil d'alimentation cannelé au fil blanc du lave-vaisselle, le fil lisse au fil noir du lave-vaisselle et le fil de mise à terre au fil vert du lave-vaisselle. Utiliser des serre-fils homologués UL de taille appropriée.
- Attacher le couvercle de la boîte de jonction déposé à l'étape 1 avec la vis à tête à six pans n° 10. Vérifier que le couvercle ne pince pas les fils.

Installation du lave-vaisselle

ÉTAPE 8 : INSTALLATION DU COUDE À ANGLE DROIT

- Mettre du ruban d'étanchéité de filet sur le coude à angle droit.
- Installer le coude à angle droit sur la vanne.



Figure O

- Ne pas serrer en excès le coude à angle droit, ceci pourrait tordre la patte de la vanne ou briser le raccord de la vanne.
- Tourner le coude pour qu'il pointe vers l'arrière du lave-vaisselle.

ÉTAPE 9 : MISE EN PLACE DU TUYAU D'EAU ET DES FILS DE LA MAISON

- Mettre en place le tuyau d'eau et les fils de la maison sur le sol de l'ouverture, afin d'éviter toute interférence avec la base du lave-vaisselle et des divers éléments sous celui-ci.

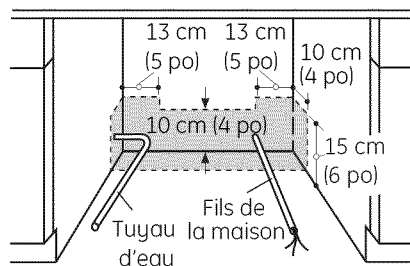


Figure P

ÉTAPE 10 - RACCORDEMENT DU TUYAU DE VIDANGE AU PORT DE VIDANGE DU LAVE-VAISSELLE

Dans cette étape, il faut utiliser le tuyau de vidange et le collier mis de côté à l'étape 1.

- Redresser le lave-vaisselle.
- Serrer le collier du tuyau de vidange sur l'extrémité à diamètre intérieur de 1-3/16 po du tuyau de vidange avec la vis de collier située au bas du tuyau.

IMPORTANT – Prévenir tous dommages au tuyau de vidange et les fuites éventuelles. Prendre soin de ne pas entailler ou couper le tuyau de vidange.

- Placer l'extrémité du tuyau de vidange par-dessus la sortie de la pompe de vidange et appuyer en prenant soin de ne pas entraver le clapet. Voir la figure Q.
- Placer l'extrémité du tuyau de vidange contre les butées de tuyau de la sortie de pompe.
- Positionner le collier du tuyau contre le ressaut avant du tuyau de vidange et serrer le collier.

REMARQUE :

Le tuyau de vidange fourni avec le lave-vaisselle est environ 2 m de long (78 po). Si nécessaire, un tuyau de 3 m (10 pi) est disponible chez un distributeur agréé d'appareils ménagers GE. Le tuyau de 3 m (10 pi) porte le numéro de pièce **GPF10L**.

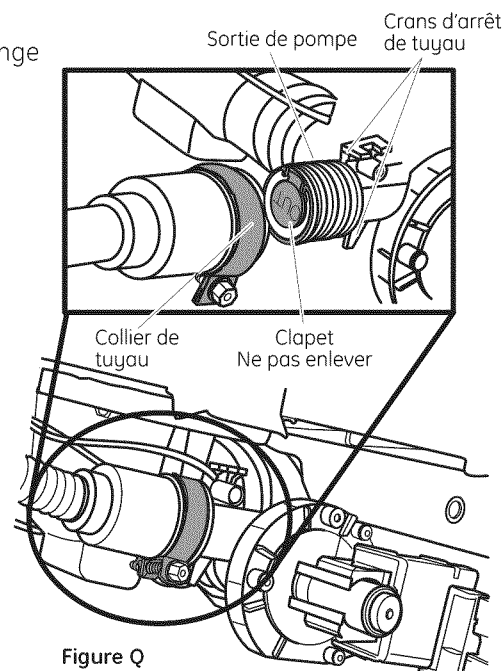


Figure Q

Conseil pour éviter les frais d'intervention inutiles. Vérifier que tous les raccords sont étanches.

Placer le tuyau contre la butée de la pompe. Placer le collier contre la lèvre avant du tuyau de vidange avec la vis du collier au bas du tuyau. Serrer le collier à un couple d'au moins 15 pouces-livres.

Conseil pour réduire le bruit émis par la pompe de vidange

Placer le collier du tuyau de vidange de sorte que la vis se trouve au bas du tuyau. Ceci empêche le bruit causé lorsque le collier entre en contact avec le fond du bac. Se reporter à la Figure Q.

Installation du lave-vaisselle

ÉTAPE 11 : INSERTION DU TUYAU DE VIDANGE À TRAVERS L'ARMOIRE

- Mettre le lave-vaisselle en position devant l'ouverture. Insérer le tuyau de vidange dans le côté de l'armoire. Si un cordon d'alimentation est utilisé, guider son extrémité dans un trou séparé.

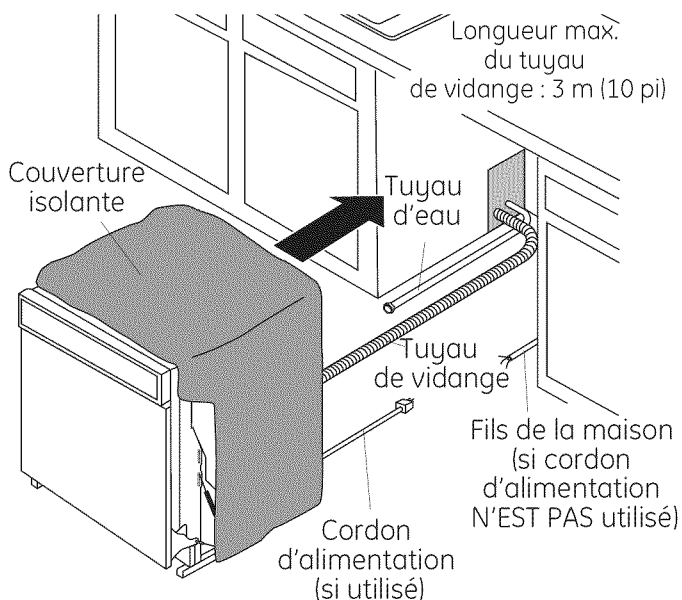


Figure R

Conseil: Placer le tuyau d'alimentation d'eau et le câblage électrique de la maison sur le sol pour éviter d'entraver la base du lave-vaisselle.

ÉTAPE 12 : GLISSER LE LAVE-VAISSELLE À TROIS QUARTS DANS L'OUVERTURE DE L'ARMOIRE

IMPORTANT – NE PAS POUSSER CONTRE LE PANNEAU AVANT AVEC LE GENOU. CECI CAUSE DES DOMMAGES.

- Saisir le lave-vaisselle par les côtés et le glisser petit à petit dans l'ouverture.

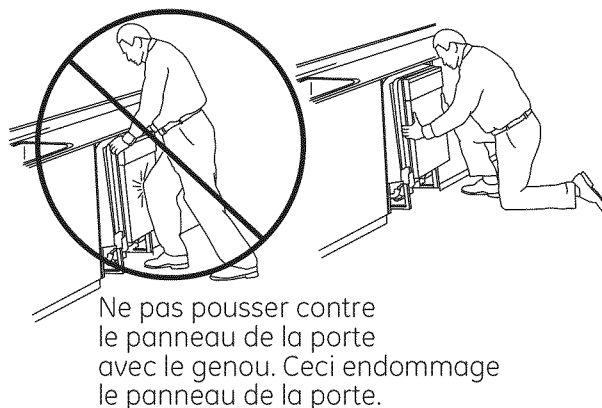


Figure S

- Au fur et à mesure du progrès, tirer le tuyau de vidange dans l'ouverture sous l'évier. Arrêter de pousser quand le lave-vaisselle dépasse d'une dizaine de centimètres devant les armoires adjacentes.
- Vérifier que le tuyau de vidange n'est pas pincé sous le lave-vaisselle et qu'il n'y a aucune interférence entre le tuyau d'eau et les fils et tout autre élément.

Conseil: S'assurer que le lave-vaisselle est adapté à l'armoire. Vérifier que le fil d'alimentation, le tuyau de vidange et le tuyau d'alimentation d'eau chaude ne se trouvent pas coincés derrière le lave-vaisselle. Tout tuyau ou fil coincé derrière le lave-vaisselle empêche l'encastrement complet du lave-vaisselle dans l'enceinte.

Installation du lave-vaisselle

ÉTAPE 13 : PLACEMENT DU LAVE-VAISSELLE À SA POSITION FINALE

- Pousser le lave-vaisselle tout à fait dans l'armoire.
- Pousser des mains sur les côtés. Ne pas utiliser le genou pour ne pas endommager la porte.
- Pendant la mise en place dans l'armoire, vérifier que la couverture isolante du bac n'est pas « rebroussée » et qu'elle n'interfère pas avec les ressorts.
- Centrer le lave-vaisselle dans l'ouverture.
- L'avant du panneau de porte doit être aligné sur le devant de l'armoire.
- Ouvrir et fermer avec soin la porte pour vérifier que le panneau de la porte n'accroche pas ou ne frotte pas sur le cadre de l'armoire. Voir la figure U ci-dessous.
- Si la porte accroche ou frotte sur le cadre, changer la position ou mettre l'appareil de niveau (étape 14) jusqu'à ce que la porte se déplace librement et n'est pas en contact avec le cadre de l'armoire.



Figure U

Points à considérer pendant le placement de modèles à commandes montées sur le haut

Les commandes de ces modèles sont conçues pour être cachées par le plan de travail. Aligner le lave-vaisselle comme illustré par la Figure V. Laisser un dégagement d'au moins 12,7 mm (1/2 po) entre le dessous du plan de travail et le haut de la porte de l'appareil, tel illustré par la Figure W.

Utiliser les pieds de mise à niveau pour augmenter ou diminuer la distance entre les commandes et le plan de travail.

Pour une installation à ras des modèles à panneaux sur mesure, il peut être nécessaire de couper le panneau arrière de la couverture d'isolation du bac pour pouvoir aligner le panneau de la porte du lave-vaisselle sur les panneaux de l'armoire de la cuisine.

IMPORTANT. – Laisser un dégagement d'au moins 12,7 mm (1/2 po) entre les commandes et le dessous du plan de travail pour prévenir la condensation et les dommages infligés au panneau de commande par les têtes de vis.



Figure V

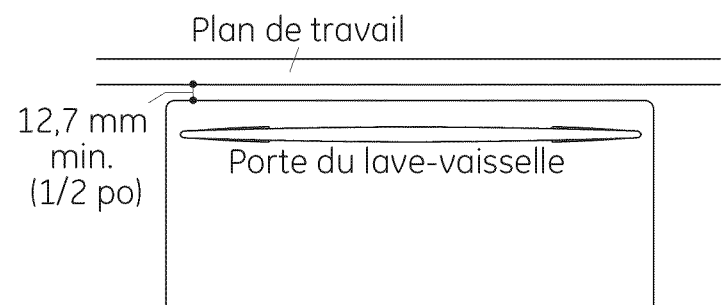


Figure W

Installation du lave-vaisselle

ÉTAPE 14 : MISE À NIVEAU DU LAVE-VAISSELLE

IMPORTANT – Le lave-vaisselle doit être de niveau pour obtenir un bon déplacement de l'égouttoir et du lave-vaisselle.

• **Modèles à commandes montées sur le haut :**
Veiller à maintenir un dégagement d'au moins 12,7 mm (1/2 po) (voir la Figure T).

• **Tous les modèles**
Mettre un niveau sur la porte pour vérifier que le lave-vaisselle est horizontal, d'un côté à l'autre. Enlever l'égouttoir du bas ; placer un niveau sur la glissière de l'égouttoir du bas à l'intérieur du bac pour vérifier que le lave-vaisselle est à niveau de l'avant à l'arrière.

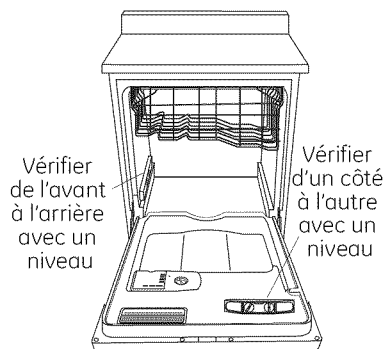


Figure X

• Si l'appareil n'est pas à niveau, ajuster les quatre pieds de mise à niveau, tel illustré par la figure Y.

• S'il faut ajuster le pied de mise à niveau postérieur droit, y accéder en desserrant la vis de support de la boîte de jonction (à travers le trou d'accès) et tourner le support dans le sens des aiguilles d'une montre.

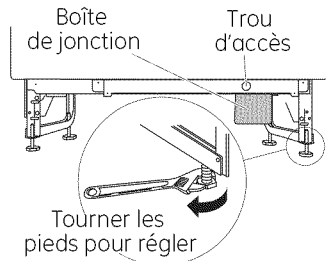


Figure Y

• Le lave-vaisselle est à niveau lorsque l'indicateur de niveau est centré de gauche à droite et de l'avant vers l'arrière. La porte du lave-vaisselle doit pouvoir se fermer sans toucher les côtés du bac.

• Remettre en place l'égouttoir du bas lorsque la mise à niveau est terminée.

Conseil : Pour éviter les frais d'intervention inutiles causés par un lavage inadéquat et le mauvais fonctionnement des égouttoirs.

Tirer les égouttoirs vers le dehors jusqu'à mi-trajectoire. Ils ne doivent pas bouger. Ouvrir et fermer la porte. La porte doit recouvrir l'ouverture du bac sans toucher les côtés. Remettre le lave-vaisselle à niveau si les égouttoirs se déplacent de leur propre chef ou si la porte s'accroche sur les côtés du bac.

IMPORTANT – Après la mise à niveau, vérifier que le lave-vaisselle se trouve centré dans l'enceinte et que la porte ne bute pas contre les armoires adjacentes.

ÉTAPE 15 : FIXATION DU LAVE-VAISSELLE À L'ARMOIRE

À cette étape, il faut les 2 vis spéciales à tête cruciforme mises de côté avant l'étape 1.

Le lave-vaisselle doit être fixé au plan de travail ou aux côtés de l'armoire. Utiliser la méthode n° 1 quand le plan de travail est en bois. Quand le plan de travail est en granite ou autre matériau qui n'accepte pas les vis, utiliser la méthode n° 2 pour fixer le lave-vaisselle sur les côtés.

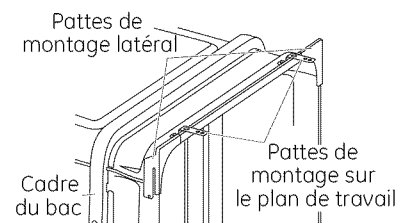


Figure Z

IMPORTANT – Éviter les frais d'intervention inutiles. Enfoncer les vis tout droit et de niveau. Des têtes de vis qui dépassent rayent le dessus ou les côtés du panneau de commande et peuvent interférer avec la fermeture de la porte.

Méthode 1

Fixation du lave-vaisselle au plan de travail en bois

• Avec les deux vis spéciales à tête cruciforme fournies, visser le lave-vaisselle sur le dessous du plan de travail.

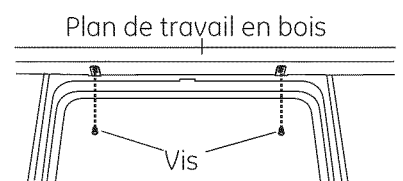


Figure AA

Méthode 2

Fixation du lave-vaisselle avec les pattes de montage latérales

• Enlever les bouchons (un de chaque côté).
• Mettre les vis à travers le lave-vaisselle et dans l'armoire adjacente, de chaque côté. Remettre les boutons en place.

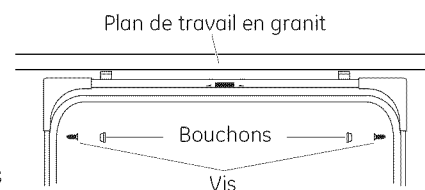


Figure BB

N'importe quelle méthode – Pour les modèles à commandes montées sur le haut. Veiller à maintenir un dégagement d'au moins 12,7 mm (1/2 po).

• À la fin de l'étape, fermer la porte du lave-vaisselle et vérifier qu'il y a un dégagement d'au moins 12,7 mm (1/2 po) entre le plan de travail et le haut du lave-vaisselle.



Figure CC

Installation du lave-vaisselle

ÉTAPE 16 : BRANCHEMENT DE L'ALIMENTATION D'EAU

Brancher le tuyau d'alimentation d'eau au coude à angle droit.

- Glisser l'écrou de compression et ensuite la bague sur l'extrémité du tuyau d'eau.
- Insérer le tuyau d'eau dans le coude à angle droit.
- Glisser la bague contre le coude et serrer l'écrou de compression.

IMPORTANT – Ouvrir et fermer la porte pour vérifier que le ressort de la porte ne frotte pas ou n'est pas en contact avec le tuyau de remplissage ni le tuyau d'alimentation d'eau. Changer le passage des tuyaux s'il y a un bruit de frottement ou une interférence.



Figure DD

ÉTAPE 17 : BRANCHEMENT DU TUYAU DE VIDANGE

L'extrémité moulée du tuyau de vidange se branche sur l'orifice d'admission de 5/8 po à 1 po de diamètre, du raccord d'espace d'air, du raccord en té d'égout ou du broyeur à déchets.

- Déterminer la taille de l'orifice d'admission.
- Couper le connecteur du tuyau de vidange à la ligne marquée, selon le besoin, pour installation sur l'orifice d'admission.

Ligne de coupe **IMPORTANT:** Il ne faut pas couper la portion ondulée du tuyau.



Figure EE

- Si le tuyau de vidange est trop court et le tuyau de vidange GPF10L n'a pas été acheté, une longueur de tuyau de maximum un mètre (environ 3 pi) peut être ajoutée pour obtenir un tuyau de 3 mètres (10 pi) de long. Utiliser un tuyau de 5/8 ou 7/8 po de diamètre interne et un manchon pour brancher les deux extrémités de tuyaux. Maintenir le manchon en place avec des colliers.



Figure FF

REMARQUE : POUR OBTENIR UNE BONNE VIDANGE, LA LONGUEUR TOTALE DU TUYAU DE VIDANGE NE DOIT PAS DÉPASSER 3 m (10 pi).

INSTALLATION DU TUYAU DE VIDANGE

- Brancher le tuyau de vidange sur le dispositif anti-siphon, le raccord en té d'égout ou le broyeur à déchets, en utilisant la méthode indiquée précédemment.
- Monter avec des colliers le tuyau de vidange sur le dispositif anti-siphon, le raccord en té d'égout ou le broyeur à déchets.

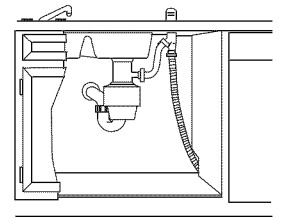
Méthode n° 1 – Dispositif anti-siphon avec raccord en té d'égout ou broyeur à déchets

Raccorder le tuyau de vidange au dispositif anti-siphon, tel illustré.



Installation avec un raccord en té d'égout

Figure GG



Installation avec un broyeur à déchets

Méthode 2 – Boucle de vidange élevée avec raccord en té d'égout ou broyeur à déchets

Acheminer le tuyau de vidange de l'appareil à une élévation minimale de 81 cm (32 po) du sol en utilisant le porte-tuyau de vidange tourni, tel illustré.



Installation avec un raccord en té d'égout

Figure HH



Installation avec un broyeur à déchets

IMPORTANT – Il faut utiliser l'une des deux méthodes précédentes pour assurer le fonctionnement correct du lave-vaisselle.

IMPORTANT – En cas de branchement du tuyau d'égout au broyeur à déchets, vérifier que le bouchon de vidange a été enlevé. **LE LAVE-VAISSELLE NE SE VIDE PAS SI LE BOUCHON EST EN PLACE.**



Conseil: Il faut éviter les frais d'intervention inutiles. Il faut toujours s'assurer que le bouchon de vidange a été enlevé avant de brancher le tuyau de vidange du lave-vaisselle au broyeur à déchets.

Installation du lave-vaisselle

ÉTAPE 18 : BRANCHEMENT DE L'ALIMENTATION ÉLECTRIQUE

Sauter cette étape si le lave-vaisselle est équipé d'un cordon d'alimentation. Vérifier que le circuit est hors tension

- Prendre le couvercle de la boîte de jonction rangé à l'étape 1.
- Attacher les fils de la maison au bas de la boîte de jonction à l'aide du dispositif d'élimination des contraintes.
- Identifier les trois fils du lave-vaisselle avec les extrémités dénudées (blanc, noir et vert). Insérer les fils du lave-vaisselle dans le petit trou de la boîte de jonction. Raccorder les fils du cordon électrique aux fils de couleur correspondante du lave-vaisselle avec des coinçeurs à câble homologués UL de taille appropriée.
- Installer le couvercle de la boîte de jonction. Vérifier que les fils ne sont pas pincés sous le couvercle



Figure II

	<p>AVERTISSEMENT Si le circuit de la maison n'est pas un circuit à deux fils plus fil de terre, l'installateur doit installer un fil de terre. Quand le circuit de la maison est en aluminium, il faut prendre soin d'utiliser une pâte antioxydante et des connecteurs aluminium à cuivre sur la liste UL.</p>
--	--

ÉTAPE 19 : LISTE DE VÉRIFICATION AVANT DE FAIRE LES ESSAIS

Examiner cette liste après l'installation du lave-vaisselle pour éviter les frais d'intervention qui ne sont pas couverts par la garantie

- Vérifier que le système est **hors tension**.
- Ouvrir la porte et enlever tout le conditionnement en mousse et papier.
- Trouver le Manuel d'utilisation rangé à l'étape 1.
- Lire les instructions d'utilisation dans le Manuel d'utilisation.
- Vérifier l'ouverture et la fermeture de la porte. Si la porte ne s'ouvre et ne se ferme pas facilement, vérifier l'acheminement du câble de ressort sur la poulie. Si la porte tombe ou s'élève lorsqu'on la lâche, ajuster la tension du ressort. Voir étape 3, figure J.
- Vérifier que les fils sont bien en place sous le lave-vaisselle, qu'ils ne sont pas pincés ni en contact avec les ressorts de porte ni autres éléments. Consulter l'étape 9.
- Vérifier l'alignement de la porte par rapport au bac, et que le lave-vaisselle est de niveau. Consulter l'étape 14.
- Sortir l'égouttoir du bas, à moitié chemin. Vérifier qu'il ne recule ni n'avance. Si l'égouttoir se déplace, régler les pieds de mise à niveau. Consulter l'étape 14.
- Vérifier l'alignement de la porte par rapport à l'armoire. Si la porte touche l'armoire, repositionner le lave-vaisselle et régler les pieds de mise à niveau. Consulter l'étapes 13, 14 et 15.
- Veiller à ce que le ressort de porte ne soit pas en contact avec le tuyau de remplissage ou d'alimentation d'eau ou avec d'autres composants. Consulter l'étape 16.
- Vérifier que le tuyau d'alimentation d'eau et le tuyau de vidange ne sont pas pincés ni en contact avec d'autres composants. Le contact avec le moteur ou le lave-vaisselle peut causer des bruits. Consulter l'étapes 9 et 11.
- Ouvrir le robinet d'eau chaude d'évier et vérifier la température de l'eau. L'eau d'alimentation doit avoir une température entre 49 et 65 °C (120 et 150 °F). Il faut une température d'au moins 49 °C (120 °F) pour obtenir le meilleur rendement du lave-vaisselle. Consulter « Préparation du tuyau d'eau chaude », page 6.
- Ajouter deux litres d'eau au fond du lave-vaisselle pour lubrifier le joint de la pompe.
- Ouvrir le robinet d'eau. Vérifier qu'il n'y a pas de fuites. Serrer les branchements selon le besoin.
- Enlever, du panneau de commande et de la porte, la pellicule de protection, si elle est présente.
- Éviter les frais de service en contrôlant qu'un dispositif anti-siphon ou un tuyau de vidange est installé à la hauteur minimale requise de 81 cm (32 po).

Installation du lave-vaisselle

ÉTAPE 20 : ESSAI DU LAVE-VAISSELLE AVEC DE L'EAU

- Mettre le circuit sous tension (ou brancher le cordon d'alimentation dans la prise de courant, si installée).
- Mettre le lave-vaisselle en marche pour vérifier qu'il n'y a pas de fuites

Modèles à commandes sur le devant

- fermer et verrouiller la porte ;
- appuyer sur la touche RINSE ONLY (uniquement rinçage) ;
- appuyer une seule fois sur la touche START/RESET (démarrage/réinitialisation)

Modèles à commandes montées sur le haut :

- appuyer sur la touche RINSE ONLY (uniquement rinçage) ;
- appuyer une seule fois sur la touche START/RESET (démarrage/réinitialisation) ;
- fermer et verrouiller la porte.

- Vérifier que l'eau entre dans le lave-vaisselle. Si l'eau n'entre pas dans le lave-vaisselle, vérifier que le robinet d'alimentation est ouvert et que le circuit est sous tension.
- Vérifier qu'il n'y a pas de fuites sous le lave-vaisselle. S'il y a une fuite, couper l'alimentation électrique et serrer les branchements. Remettre le lave-vaisselle sous tension après avoir éliminé les fuites.
- Vérifier qu'il n'y a aucune fuite autour de la porte. Une fuite autour de la porte peut être causée par un frottement de la porte ou un impact avec l'armoire adjacente. Repositionner le lave-vaisselle si nécessaire. Consulter les étapes 13, 14 et 15.
- Le lave-vaisselle se vide et s'arrête environ 5 minutes après le démarrage. Vérifier les tuyaux de vidange. En cas de fuite, couper le courant et corriger le problème de plomberie, le cas échéant. Remettre sous tension après la réparation. Voir les étapes 10 et 17.
- Ouvrir la porte du lave-vaisselle et vérifier que la plus grande partie de l'eau s'est écoulée. Si ce n'est pas le cas, vérifier que le bouchon du broyeur a été enlevé et/ou que le dispositif anti-siphon est libre de débris. Voir étape 17. Vérifier également que le tuyau de vidange n'est pas plié.
- Faire passer le lave-vaisselle par un autre cycle de « Rinse Only » (rinçage seulement). Vérifier qu'il n'y a pas de fuite et corriger selon le besoin

ÉTAPE 21 – RÉGLAGE DE LA DURETÉ DE L'EAU

Uniquement les modèles à distributeur en vrac. Sauter cette étape si le modèle n'est pas équipé d'un distributeur en vrac.

- Prendre la bande d'essai d'eau dure rangée à l'étape 1.
- La dépouiller de son emballage.
- Allumer l'eau chaude et maintenir la bande sous le jet d'eau conformément aux directives de l'emballage.
- Utiliser la valeur de la bande d'essai pour calibrer la dureté de l'eau du lave-vaisselle. Se reporter à la section intitulée « Calibrage de la dureté de l'eau » du Manuel de l'utilisateur pour en savoir plus concernant le calibrage du lave-vaisselle

ÉTAPE 22 – INSTALLATION DU KIT DE RÉDUCTION DE BRUIT, LE CAS ÉCHÉANT

Sauter cette étape si le modèle n'est pas équipé du kit de réduction de bruit.

- Prendre le kit de réduction de bruit mis de côté à l'étape 1 et les deux vis mis de côté à l'étape 6.
- Attacher le panneau d'insonorisation en plastique avec les deux vis, comme illustré dans la figure LL. Il faut utiliser les deux trous de montage inférieurs.
- Vérifier que le panneau d'insonorisation est assis dans les fentes du cadre, comme illustré dans la figure JJ.

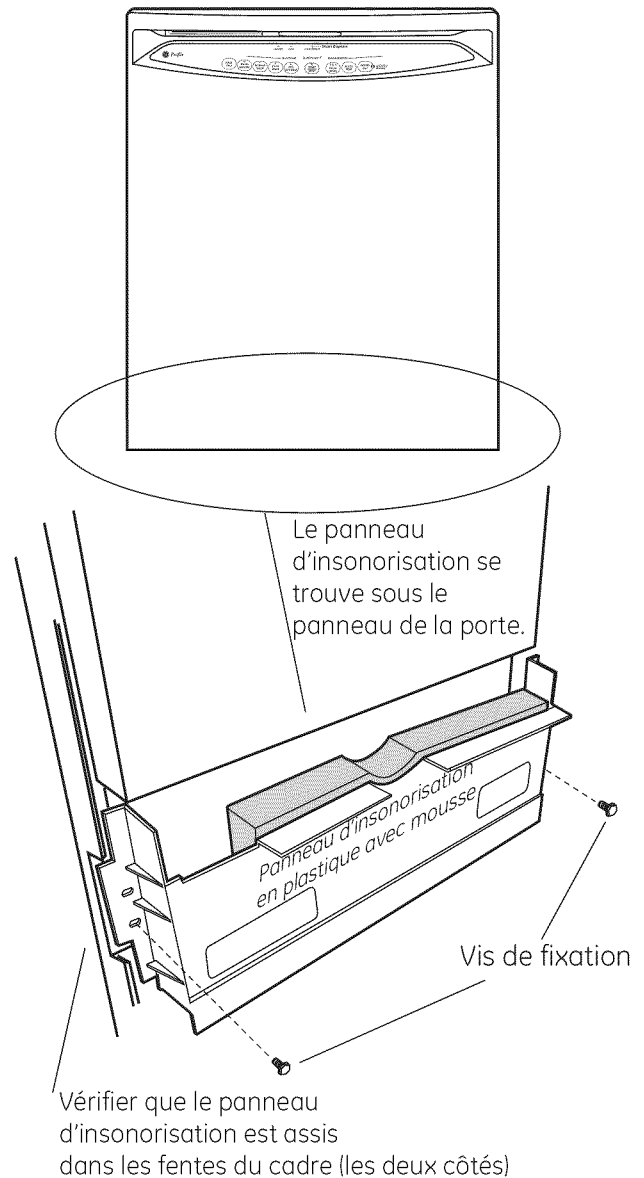


Figure JJ

Installation du lave-vaisselle

ÉTAPE 23 – INSTALLATION DE LA PLINTHE

- Prendre la plinthe et les vis rangés à l'étape 5.

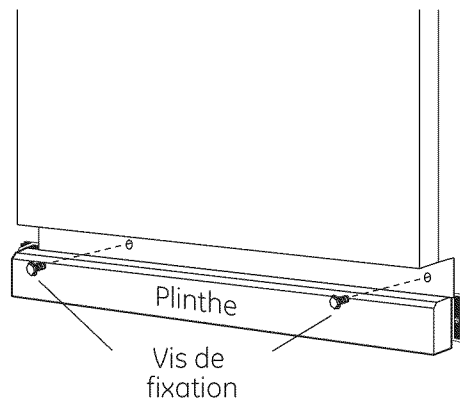


Figure KK

- Remettre la plinthe en place en vérifiant que le bord inférieur se trouve contre le sol.
- Serrer les deux vis de fixation de plinthe. La plinthe doit demeurer en contact avec le sol pour assurer que le lave-vaisselle fonctionne en silence.

ÉTAPE 24 - DOCUMENTATION

- Prendre soin de laisser au consommateur l'enveloppe complète de documentation, les instructions d'installation et les échantillons de produit.

LES DONNÉES TECHNIQUES PEUVENT CHANGER SANS PRÉAVIS

GE Consumer & Industrial
General Electric Company
Louisville, Kentucky 40225

GEAppliances.com

206C1559P199 31-30260 07-09 JR