

This Owner's Manual is provided and hosted by [Appliance Factory Parts](#).



GE GLD4968TSS Owner's Manual

[Shop genuine replacement parts for GE GLD4968TSS](#)



[Find Your GE Dishwasher Parts - Select From 6722 Models](#)

----- Manual continues below -----

Installation Instructions

Built-In Dishwasher

If you have questions, call 800.GE.CARES (800.432.2737) or visit our Website at: GEAppliances.com.
In Canada, please call 1.800.561.3344 or visit www.geappliances.ca



BEFORE YOU BEGIN

Read these instructions completely and carefully

IMPORTANT – Observe all governing codes and ordinances.

- **Note to Installer** – Be sure to leave these instructions for the consumer's and local inspector's use.
- **Note to Consumer** – Keep these instructions with your Owner's Manual for future reference.
- **Skill Level** – Installation of this dishwasher requires basic mechanical, electrical and plumbing skills. Proper installation is the responsibility of the installer. Product failure due to improper installation is not covered under the GE Appliance Warranty. See warranty information.
- **Completion Time** – 1 to 3 Hours. New installations require more time than replacement installations.

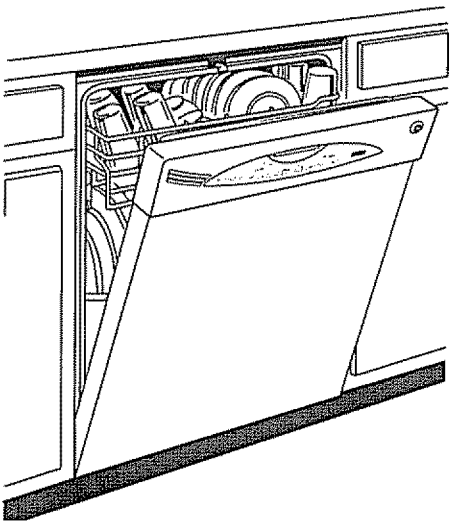
IMPORTANT – The dishwasher **MUST** be installed to allow for future removal from the enclosure if service is required.

If you received a damaged dishwasher, you should immediately contact your dealer or builder.

Optional Accessories – See the Owner's Manual for available custom panel kits.

FOR YOUR SAFETY

Read and observe all **CAUTIONS** and **WARNINGS** shown throughout these instructions. While performing installations described in this booklet, gloves, safety glasses or goggles should be worn.



**READ CAREFULLY.
KEEP THESE INSTRUCTIONS.**

Installation Preparation

PARTS SUPPLIED

IN INSTALLATION PACKAGE:

- Two #8-18 x 5/8" Phillips special head screws, to secure dishwasher to underside of countertop
- Junction box cover and #10 hex-head screw
- Hose clamp
- Drain hose (approximately 78" long)
- Zip ties
- Side and top trim pieces (some models)
- Literature, samples and/or coupons
- 2 Side-mounting brackets with four #8 pan-head mounting screws for non-wood countertops (some models)

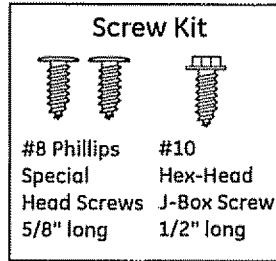


Drain Hose

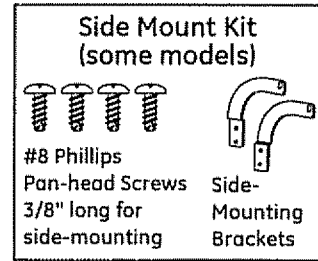


Hose Clamp

Side and Top Trim Pieces on some models



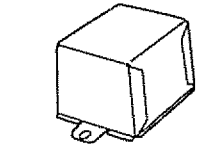
Screw Kit
#8 Phillips Special Head Screws 5/8" long
#10 Hex-Head J-Box Screw 1/2" long



Side Mount Kit (some models)
#8 Phillips Pan-head Screws 3/8" long for side-mounting
Side-Mounting Brackets



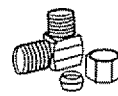
Zip Ties



Junction Box Cover

MATERIALS YOU WILL NEED:

- Ferrule, compression nut and 90° elbow (3/8"NPT external thread on one end, opposite end sized to fit water supply)
- Thread seal tape
- UL-listed wire nuts (3)
- GPF65 side-mount kit if countertop is granite or similar material



90° Elbow, Ferrule and Compression Nut



Hand Shut-Off Valve



Thread Seal Tape



Wire Nuts (3)

Materials Needed for New Installations:

- Air gap for drain hose, if required
- Waste tee for house plumbing, if applicable
- Electrical cable or power cord
- Screw-type hose clamps
- Strain relief for electrical connection
- Hand shut-off valve (recommended)
- Water line-3/8" minimum copper tubing
- GPF10L drain hose (10' long), if needed



Waste Tee



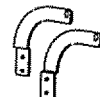
Electrical Cable (or Power Cord, if applicable)



Hot Water Line



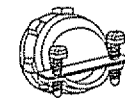
Air Gap



GPF65 Side-Mount Bracket Kit



Hose Clamps



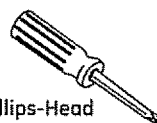
Strain Relief



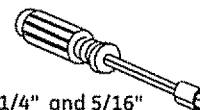
Optional 10' Drain Hose GPF10L

TOOLS YOU WILL NEED:

- Phillips-head screwdriver
- 1/4" and 5/16" nutdriver
- 6" Adjustable wrench
- Level
- Carpenter's square
- Measuring tape
- Safety glasses
- Flashlight
- Bucket to catch water when flushing the line
- 15/16" socket (optional for skid removal)
- Gloves

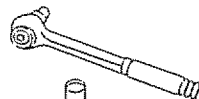


Phillips-Head Screwdriver

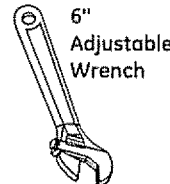


1/4" and 5/16" Nutdriver

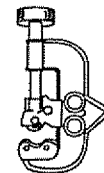
Level



15/16" Socket

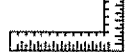


6" Adjustable Wrench



Tubing Cutter

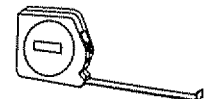
Carpenter's Square



Flashlight



Safety Glasses



Measuring Tape

For New Installations Only:

- Tubing cutter
- Drill and appropriate bits
- Hole saw set



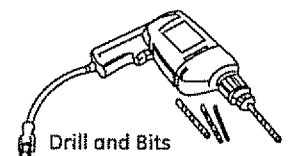
Gloves



Bucket



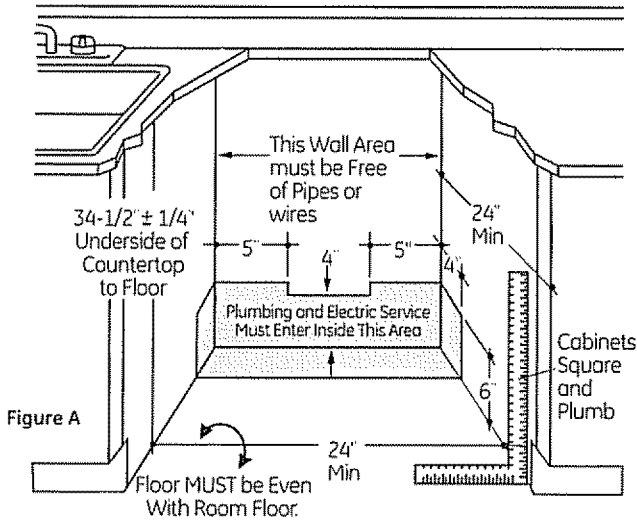
Hole Saw Set



Drill and Bits

Installation Preparation

PREPARE DISHWASHER ENCLOSURE



- The rough cabinet opening must be at least 24" deep, 24" wide and approximately 34-1/2" high from floor to underside of the countertop

⚠ WARNING:

To reduce the risk of electric shock, fire, or injury to persons, the installer must ensure that the dishwasher is completely enclosed at the time of installation.

⚠ ADVERTENCIA:

Para reducir el riesgo de descarga eléctrica, incendio o lesiones a personas, el instalador debe asegurarse de que el lavaplatos esté completamente cerrado en el momento de la instalación.

- The dishwasher must be installed so that drain hose is no more than 10' in length for proper drainage
- The dishwasher must be fully enclosed on the top, sides and back, and must not support any part of the enclosure.

CLEARANCES: When installed into a corner, allow 2" min clearance between dishwasher and adjacent cabinet, wall or other appliances. Allow 28-3/8" min clearance from the front of the dishwasher for door opening. Figure B

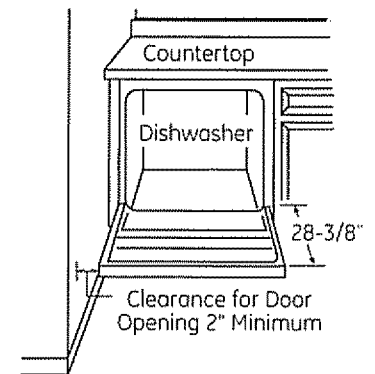


Figure B

DRAIN REQUIREMENTS

- Follow local codes and ordinances
- Do not exceed 10' distance to drain.

NOTE: Air gap must be used, if waste tee or disposer connection is less than 18" above floor to prevent siphoning.

DETERMINE DRAIN METHOD

The type of drain installation depends on the following questions

- Do local codes or ordinances require an air gap?
- Is waste tee less than 18" above floor?

If the answer to either question is YES, Method 1 MUST be used.

- If the answers are NO, either method may be used

CABINET PREPARATION

- Drill a 1-1/2" diameter hole in the cabinet wall within the shaded areas shown in Figure A for the drain hose connection. The hole should be smooth with no sharp edges.

IMPORTANT –

When connecting drain line to disposer, check to be sure that drain plug has been removed. DISHWASHER WILL NOT DRAIN IF PLUG IS LEFT IN PLACE.

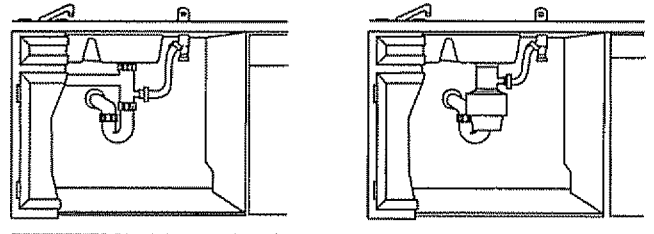
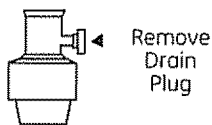


Figure C

Method 1 – Air Gap with Waste Tee or Disposer

An air gap must be used when required by local codes and ordinances. The air gap must be installed according to manufacturer's instructions.

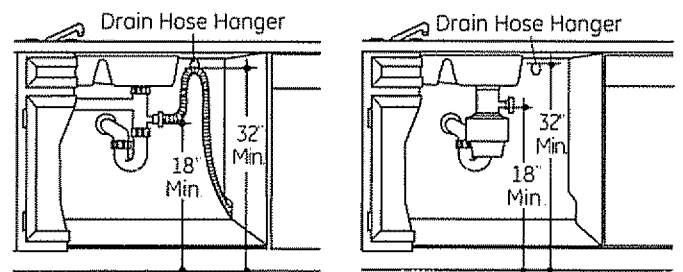


Figure D

Method 2 – "High Drain Loop" with Waste Tee or Disposer

Tip: Avoid unnecessary service call charges.

Always be sure disposer drain plug has been removed before attaching dishwasher drain hose to the disposer.

Installation Preparation

PREPARE ELECTRICAL WIRING

⚠️ WARNING:

FOR PERSONAL SAFETY: Remove house fuse or open circuit breaker before beginning installation. Do not use an extension cord or adapter plug with this appliance.

⚠️ ADVERTENCIA:

PARA SEGURIDAD PERSONAL: Quite el fusible o abra el interruptor de circuitos antes de comenzar la instalación. No utilice un cable de extensión o un enchufe adaptador con este artefacto.

Electrical Requirements

- This appliance must be supplied with 120V, 60 Hz, and connected to an individual properly grounded branch circuit, protected by a 15- or 20-ampere circuit breaker or time-delay fuse.
- Wiring must be 2 wire with ground and rated for 75°C (176°F).
- If the electrical supply does not meet the above requirements, call a licensed electrician before proceeding.

Grounding Instructions—Permanent Connection

This appliance must be connected to a grounded metal, permanent wiring system, or an equipment-grounding conductor must be run with the circuit conductors and be connected to the equipment-grounding terminal or lead on the appliance.

Grounding Instructions—Power Cord Models

This appliance must be grounded. In the event of a malfunction or breakdown, grounding will reduce the risk of electric shock by providing a path of least resistance for electric current. This appliance is equipped with a cord having an equipment-grounding conductor and a grounding plug. The plug must be plugged into an appropriate outlet that is installed and grounded in accordance with all local codes and ordinances.

⚠️ WARNING:

The improper connection of the equipment grounding conductor can result in a risk of electric shock. Check with a qualified electrician or service representative if you are in doubt that the appliance is properly grounded.

⚠️ ADVERTENCIA:

La conexión inadecuada del conductor de conexión a tierra del equipamiento puede provocar un riesgo de descarga eléctrica. Consulte a un electricista calificado o representante de servicio técnico si tiene dudas sobre la correcta conexión a tierra del aparato.

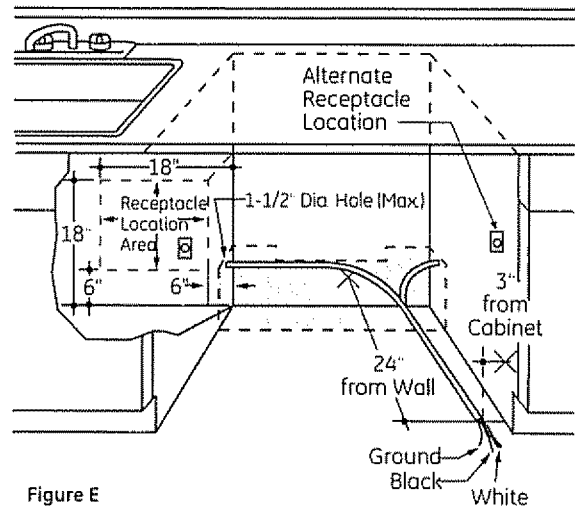


Figure E

For models equipped with power cord: Do not modify the plug provided with the appliance; if it will not fit the outlet, have a proper outlet installed by a qualified technician.

Cabinet Preparation & Wire Routing

- The wiring may enter the opening from either side, rear or the floor within the shaded area illustrated above in Figure E and defined in Figure A.
- Cut a 1-1/2" maximum diameter hole to admit the electrical cable. Permanent wiring connections may pass through the same hole as the drain hose and hot water line, if convenient. If cabinet wall is metal, the hole edge must be covered with a bushing.
NOTE: Power cords with plug must pass through a separate hole.

Electrical Connection to Dishwasher

Electrical connection is on the right front of dishwasher.

- For permanent connections the cable must be routed as shown in Figure E. Cable must extend a minimum of 24" from the rear wall.
- For power cord connections, install a 3-prong grounding type receptacle in the sink cabinet rear wall, 6" min. or 18" maximum from the opening, 6" to 18" above the floor.

Installation Preparation

PREPARE HOT WATER LINE

- The line may enter from either side, rear or floor within the shaded area shown in Figure F.
- The line may pass through the same hole as the electrical cable and drain hose. Or, cut an additional 1-1/2" diameter hole to accommodate the water line. If power cord with plug is used, water line must not pass through power cord hole.

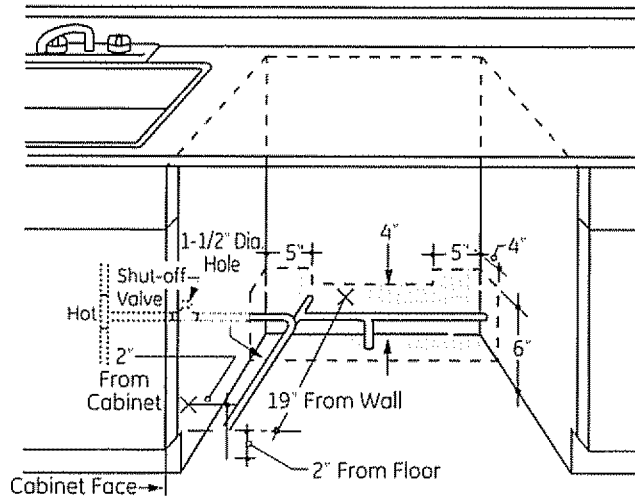


Figure F

Water Line Connection

- Turn off the water supply
- Install a hand shut-off valve in an accessible location, such as under the sink. (Optional, but strongly recommended and may be required by local codes)
- Water connection is on the left side of the dishwasher. Install the hot water inlet line, using no less than 3/8" copper tubing. Route the line as shown in Figure F and extend forward at least 19" from rear wall.
- Adjust water heater for 120°F to 150°F temperature.
- Flush water line to clean out debris.
- The hot water supply line pressure must be 20-120 PSI.

Turn page to begin dishwasher installation.

Dishwasher Installation

⚠ CAUTION:

Do not remove wood base until you are ready to install the dishwasher. The dishwasher will tip over when the door is opened if base is removed

⚠ PRECAUCIÓN:

No quite la base de madera hasta que esté listo para instalar el lavaplatos. Si se quita la base, el lavaplatos se volcará cuando se abra la puerta.

STEP 1: PREPARATION

Locate the items in the installation package and set aside for use in the listed steps:

- Screw kit – Steps 5 or 18 and 15
- Junction box cover – Step 5 or 18
- Drain hose and clamp – Step 7
- Drain hose hanger – Step 17
- Trim pieces (some models) – Step 11
- Owner's Manual - Steps 19 and 22
- Product Samples and/or coupons – Step 22
- Side-mount kit – Step 12

STEP 2: CHECK DOOR BALANCE

- With dishwasher on the wood base, check the door balance by opening and closing the door.
- Door is properly balanced if it gently drops from a 1/2 open position and does not rise from the full open position.
- If necessary increase or decrease tension as shown. Latch door and adjust both springs to the same tension setting to correct balance.

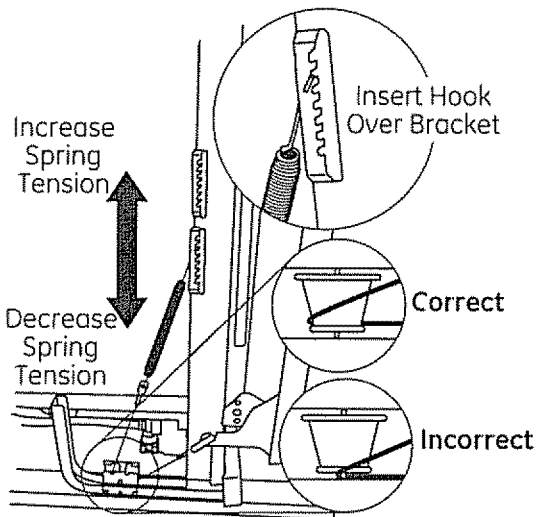


Figure G

Tip: Make sure door opens and closes smoothly.

Check door opening and closing. If door does not open easily or falls too quickly, check spring cable routing. The cable is held in place by "shoulders" on the pulley. Check to be sure cable has not slipped over the pulley shoulders.

STEP 3: REMOVE WOOD BASE, INSTALL LEVELING LEGS

IMPORTANT – Do not kick off wood base!
Damage will occur.

- Move the dishwasher close to the installation location and lay it on its back.
- Remove the four leveling legs on the underside of the wood base with a 15/16" socket wrench.
- Discard base.

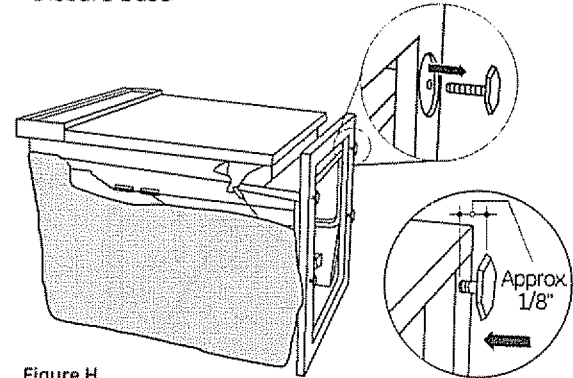


Figure H

- Screw leveling legs back into the dishwasher frame, approximately 1/8" from frame as shown.

STEP 4: REMOVE TOEKICK

- Remove the 2 toekick screws and toekick. Set aside for use in Step 21.

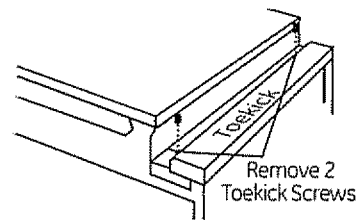


Figure I

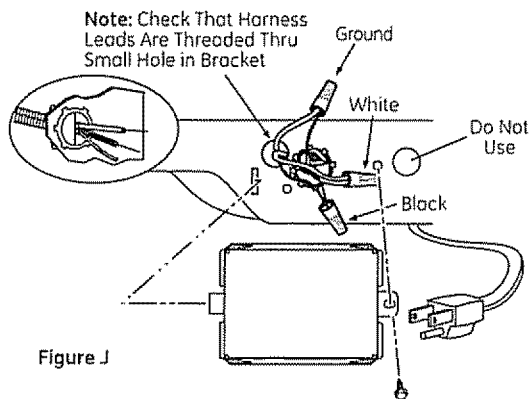
Dishwasher Installation

STEP 5: INSTALL POWER CORD

Skip this step if dishwasher will be permanently connected to the house electrical system.

In this step you will need the junction box cover and the #10 x 1/2" hex head screw from the screw kit set aside in Step 1.

The power cord and connections must comply with the National Electrical Code, Section 422 and/or local codes and ordinances. Maximum power cord length is 6 feet. Power Cord Kit WX09X70910, available for purchase from an authorized GE Appliance Dealer, meets these requirements.



- Install strain relief in junction box bracket.
- Insert power cord through strain relief and tighten.
- Make sure black, white and green dishwasher wires are threaded through small hole in junction box bracket.
- Connect power cord white (or ribbed) to dishwasher white wire, black (or smooth) to dishwasher black wire and ground to dishwasher green wire. Use UL-listed wire nuts of appropriate size.
- Install junction box cover using #10 hex-head screw. Be sure wires are not pinched under the cover.

STEP 6: INSTALL 90° ELBOW

- Wrap a 90° elbow with thread seal tape.
- Thread 90° elbow onto the water valve.
- Do not overtighten elbow. Water valve bracket could bend or water valve fitting could break.
- Position the end of the elbow to face the rear of the dishwasher.

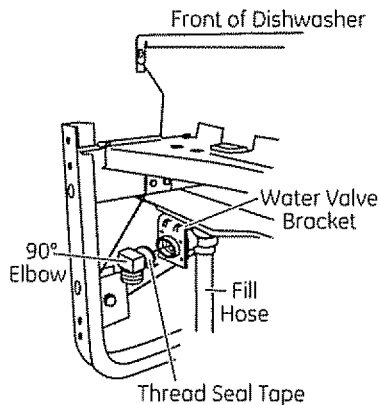


Figure K

STEP 7: INSTALL DRAIN HOSE TO PUMP OUTLET

Skip this step if drain hose has been preinstalled.

In this step you will need the drain hose and clamp set aside in Step 1.

- Stand dishwasher upright.
- Place drain hose clamp over 1-3/16" diameter end of drain hose. Position clamp so screw is on bottom side of hose. Refer to Figure L.

IMPORTANT – Prevent drain hose damage and possible leaks. Be careful not to nick or cut the drain hose.

- Push the end of the drain hose over the drain pump outlet, being careful not to disturb the check valve. Refer to Figure L.
- Seat the drain hose end against the hose stops on the pump outlet.
- Position hose clamp against the front lip of the drain hose and tighten clamp.

NOTE: Drain hose supplied with dishwasher is approximately 78" long. If a longer hose is needed, a 120" long hose (10 feet) may be purchased from an authorized GE appliance dealer. The 10' long hose is part number GPF10L.

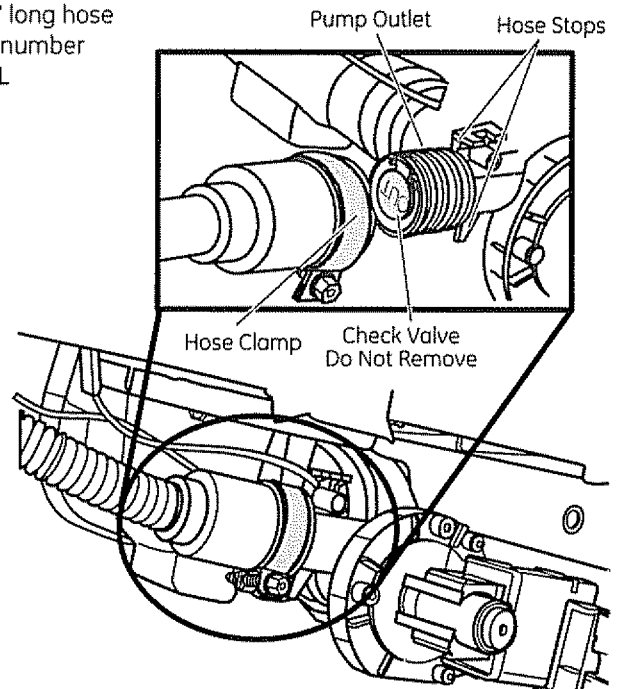


Figure L

Tip: Avoid unnecessary service charges. Make a leak free connection.

Insert hose against stop on pump. Position clamp against front lip of drain hose with clamp screw on bottom side of hose. Tighten clamp to at least 15 inch-pounds of torque.

Tip: Reduce drain pump noise.

Position drain hose clamp so screw is on the bottom side of the hose. This will prevent noise caused by the clamp coming in contact with the tub bottom. Refer to Figure L.

Dishwasher Installation

STEP 8: POSITION WATER LINE AND HOUSE WIRING

- Position water supply line and house wiring on the floor of the opening to avoid interference with base of dishwasher and components under dishwasher

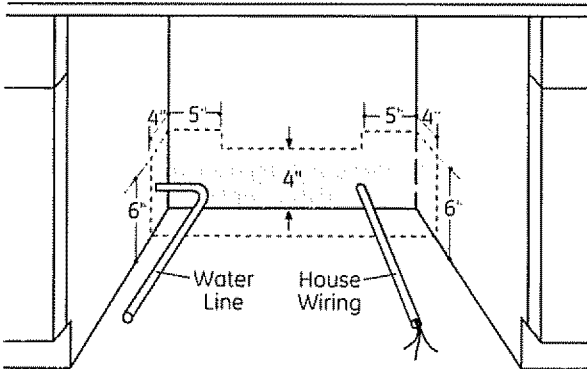


Figure M

STEP 9: INSTALL DRAIN HOSE, THROUGH CABINET

- Position dishwasher in front of cabinet opening. Insert drain hose into the hole in cabinet side. If a power cord is used, guide the end through a separate hole.

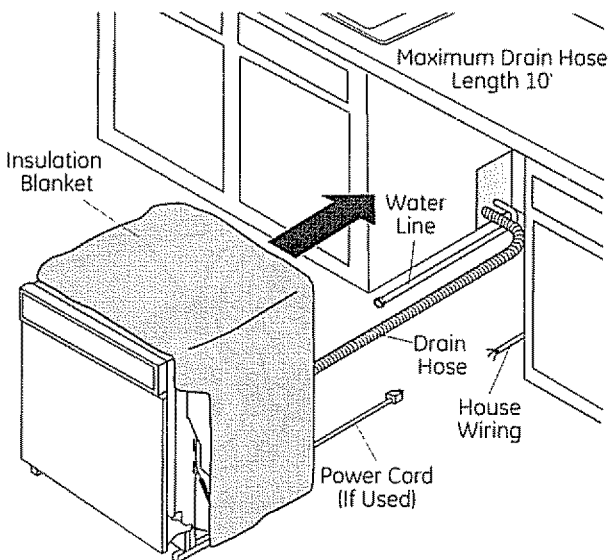


Figure N

Tip: Prevent unnecessary service call charges for no fill, drain or noise concerns.
Position utility lines so they do not interfere with anything under or behind the dishwasher.

STEP 10: SLIDE DISHWASHER THREE-FOURTHS OF THE WAY INTO CABINET

IMPORTANT – Do not push against front panel with knees. Damage will occur.

- Grasp the sides of the front panel and slide dishwasher into the opening a few inches at a time

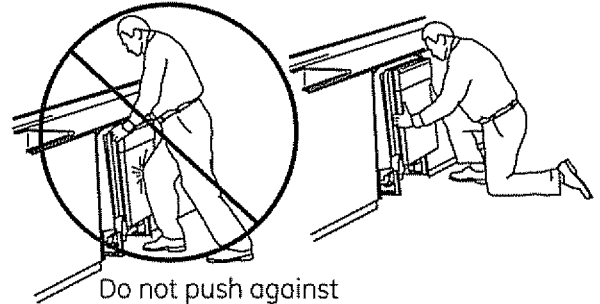


Figure O

Do not push against front door panel with knee. Damage to the door panel will occur

- As you proceed, pull the drain hose through the opening under the sink. Stop pushing when the dishwasher extends about 6 inches forward of adjacent cabinets
- Make sure drain hose is not kinked under or behind the dishwasher
- Make certain the house wiring, drain line and water line do not interfere with components under dishwasher

STEP 11: INSTALL TRIM PIECES (some models)

Skip this step if trim is not supplied with the dishwasher. In this step you will need the trim pieces set aside in Step 1.

- Position the trim pieces so the lips face toward the dishwasher door.
- Select a long trim piece and press it onto the left side tub flange. Start with the top edge and press the trim piece completely onto the tub flange as you move towards the bottom. Repeat for the right side tub flange trim piece
- Install remaining trim piece on the top tub flange.

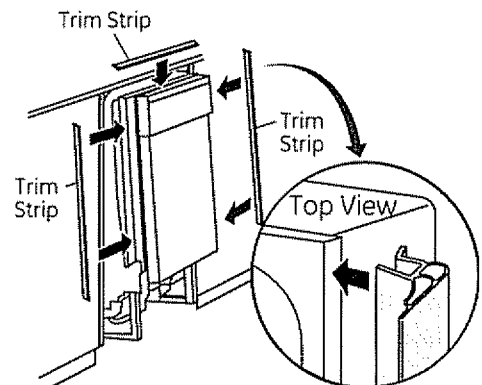


Figure P

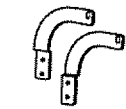
Dishwasher Installation

STEP 12: INSTALL GPF65 SIDE-MOUNT BRACKETS

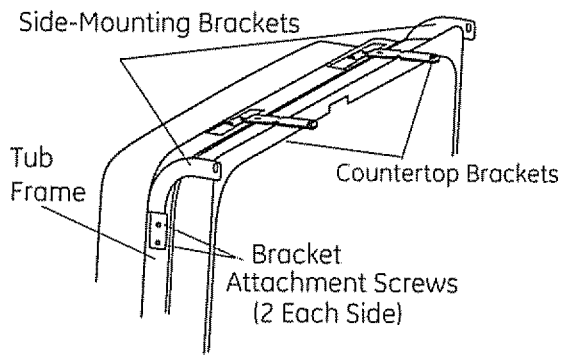
Skip this step if underside of countertop is wood or wood-like material.

In this step you will need the side-mount kit you set aside in Step 1.

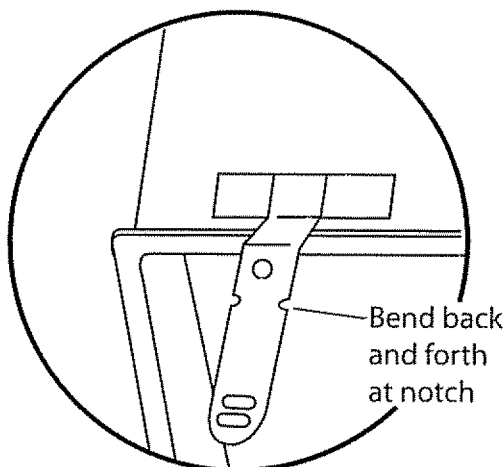
- Install side-mount brackets if underside of countertop is granite or similar material that will not accept wood screws
- Fasten the left-hand bracket to the left side of the dishwasher frame and the right-hand bracket to the right side of the dishwasher frame, using the #8 pan-head screws included with the kit. Refer to instructions included in kit for orientation and placement of the brackets.



Optional Side-Mount Bracket Kit



- If you are installing the dishwasher under a counter with a short overhang, the countertop brackets may extend beyond the edge of the counter. If this is the case, remove the excess length by repeatedly bending the brackets at the notches until they break off.



STEP 13: PUSH DISHWASHER INTO FINAL POSITION

- Check the tub insulation blanket, if equipped, to be sure it is smoothly wrapped around the tub. It should not be "bunched up" and it must not interfere with the door springs. If the insulation is "bunched up" or interfering with the springs, straighten and recenter the blanket prior to sliding the dishwasher into its final position.
- Slide the dishwasher into the final position by pushing on the sides of the door panel. Do not use a knee or push on the center of the panel. If you do, damage to the panel will likely result.
- The dishwasher is in the final position when the edges of the front panel are flush with the adjacent cabinets and the dishwasher is centered in the cabinet opening.

IMPORTANT – Before opening the dishwasher door, be certain the edges of the dishwasher door panel are behind the face of the adjacent cabinet and not up against the cabinet face. Refer to Figure Q. If the dishwasher door is opened when the edge of the door is against the face of the cabinet, dishwasher door damage and cabinet damage will occur.

- Open and close the dishwasher door to be sure it operates smoothly, and does not rub on the adjacent cabinet.

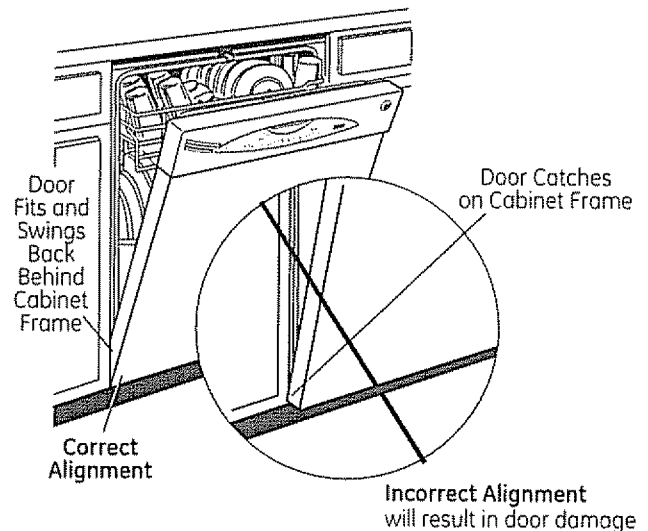


Figure Q

Tip: Prevent unnecessary service charges for panel damage or wash performance. Check dishwasher alignment prior to opening dishwasher door to prevent panel damage. Make sure utility lines are not trapped or crushed behind dishwasher. Crushed lines will restrict water flow.

Dishwasher Installation

STEP 14: LEVEL DISHWASHER

IMPORTANT – Dishwasher must be level for proper dish rack operation, wash performance and door operation. The dishwasher must be leveled left to right and front to back. This ensures the dish racks will not roll in or out on their own, circulation water will flow to the pump inlet, and the door will close without hitting the side of the tub.

- Remove the lower dish rack and place a level on the door and lower rack track as shown in Figure R.
- Adjust the level of the dishwasher by individually turning the four legs on the bottom of the dishwasher as illustrated in Figure S.
- The dishwasher is properly leveled when the level indicator is centered left to right and front to back. Also, the dishwasher door should close without hitting the side of the tub.
- Replace the lower rack

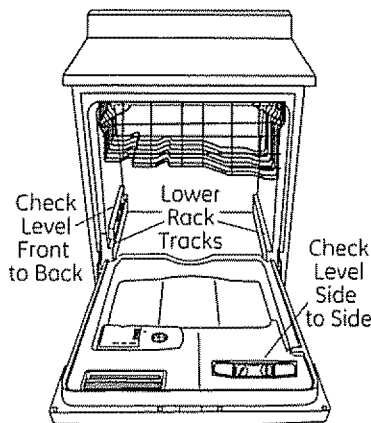


Figure R

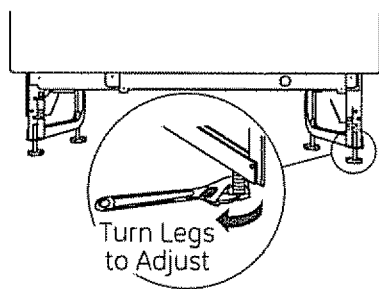


Figure S

Tip: Prevent unnecessary service charges. Verify dishwasher is leveled.

Pull the dish racks half way out. They should stay put. Open and close the door. The door should fit in the tub opening without hitting the side of the tub. If the racks roll on their own, or the door hits the side of tub, relevel the dishwasher.

STEP 15: POSITION DISHWASHER, SECURE TO COUNTERTOP OR CABINET

In this step you will need the 2 Phillips special head screws from the screw kit set aside in Step 1.

The dishwasher must be secured to the countertop or the cabinet sides. When the underside of the countertop is wood, use **Method 1**. Use **Method 2** when the underside of the countertop is made of a material, such as granite, that will not accept wood screws.

IMPORTANT – Prevent door panel and control panel damage. Dishwasher must be positioned so the front panel and control panel do not contact the adjacent cabinets or countertop. Mounting screws must be driven straight and flush. Protruding screw heads could scratch the door panel or control panel and interfere with door operation.

Method 1

Secure dishwasher to underside of wood countertop.

- Recheck alignment of the dishwasher in the cabinet. Refer to Steps 13 and 14. Door panel and/or control panel must not hit cabinets or countertop.
- Fasten the dishwasher to the underside of the countertop with the 2 Phillips special head screws. Refer to Figure T. Make certain screws are driven straight and flush to prevent panel damage.

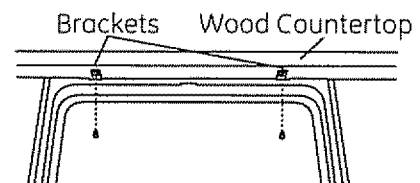


Figure T

Method 2

Secure dishwasher to cabinet sides. This method requires purchase of a GPF65 Side Mount Kit. Refer to Step 12.

- Recheck alignment of the dishwasher in the cabinet. Refer to Steps 13 and 14. Door panel and/or control panel must not hit cabinets or countertop.
- Fasten the dishwasher to the adjacent cabinets with the 2 Phillips special head screws provided. Refer to Figure U. Make certain screws are driven straight and flush to prevent panel damage.

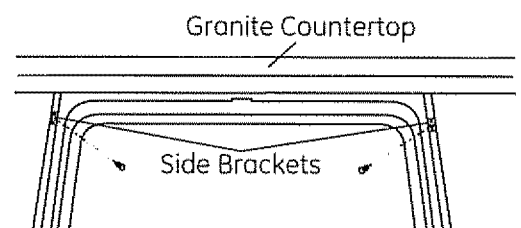


Figure U

Dishwasher Installation

STEP 16: CONNECT WATER SUPPLY

Connect water supply line to 90° elbow

- Slide compression nut, then ferrule over end of water line
- Insert water line into 90° elbow
- Slide ferrule against elbow and secure with compression nut

IMPORTANT – Check to be sure that door spring and/or door spring cable do not rub or contact the fill hose or water supply line.

Test by opening and closing the door. Reroute the water supply lines if a rubbing noise or interference occurs.

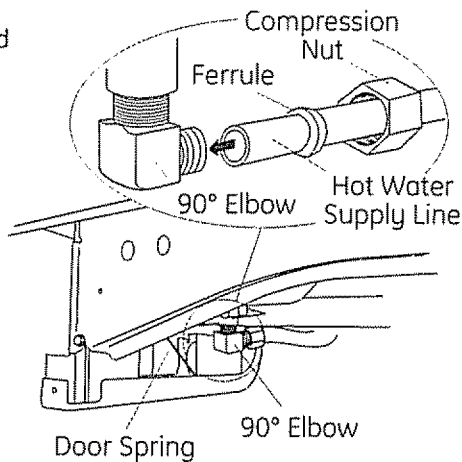


Figure V

STEP 17: CONNECT DRAIN LINE

The molded end of the drain hose will fit 5/8" through 1" diameter inlet ports on the air gap, waste tee or disposer.

- Determine size of inlet port.
- Cut drain hose connector on the marked line, if required, to fit the inlet port.

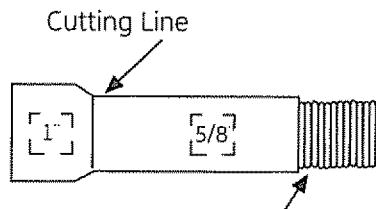


Figure W

IMPORTANT: Do not cut corrugated portion of hose

- If a longer drain hose is required and you did not purchase drain hose GPF10L, add up to 42" length for a total of 120" (10 feet) to the factory-installed hose. Use 5/8" or 7/8" inside diameter hose and a coupler to connect the two hose ends

Secure the connection with hose clamps.

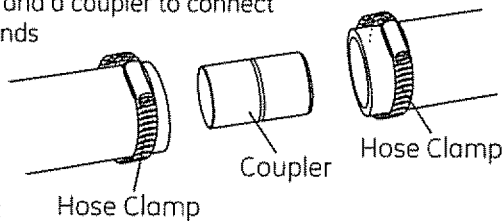


Figure X

NOTE: TOTAL DRAIN HOSE LENGTH MUST NOT EXCEED 10 FEET FOR PROPER DRAIN OPERATION.

- Connect drain line to air gap, waste tee or disposer using the previously determined method. Secure hose with a screw-type clamp

Method 1 – Air gap with waste tee or disposer

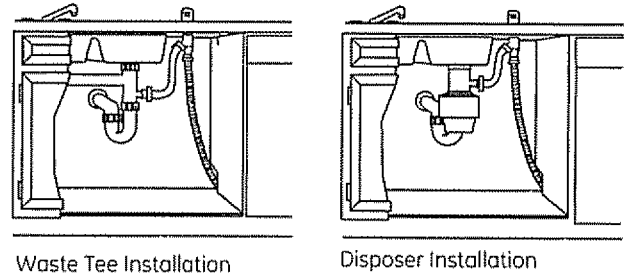


Figure Y

Method 2 – "High drain loop" with waste tee or disposer

With this method you will need the drain hose hanger set aside in Step 1

Fasten drain hose to underside of countertop with the provided hanger.

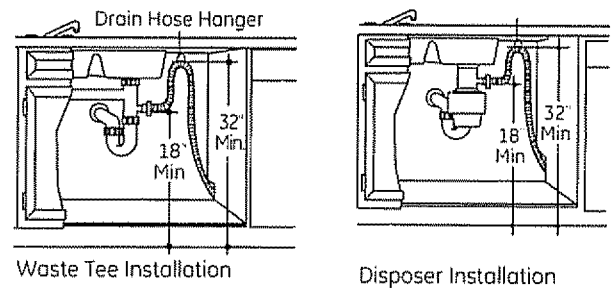
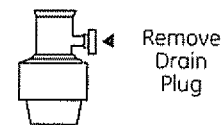


Figure Z

IMPORTANT – When connecting drain line to disposer, check to be sure that drain plug has been removed. **DISHWASHER WILL NOT DRAIN IF PLUG IS LEFT IN PLACE**



Tip: Avoid unnecessary service call charges for a no drain complaint.

Make sure excess drain hose has been pulled through the cabinet opening. This will prevent excess hose in the dishwasher cavity from becoming kinked or crushed by the dishwasher.

Dishwasher Installation

STEP 18: CONNECT POWER SUPPLY

If a power cord with plug is already installed proceed to Step 19.

⚠ WARNING:

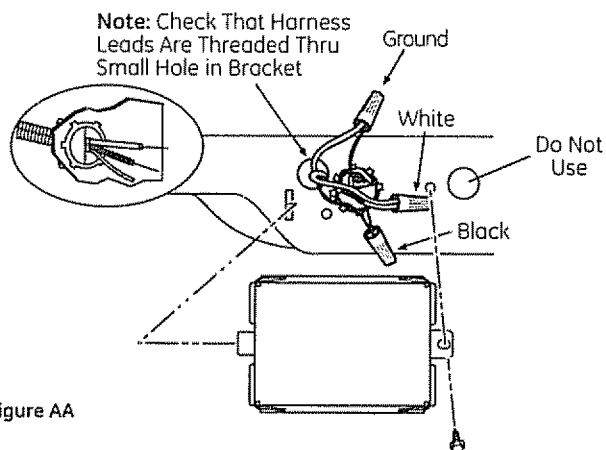
If house wiring is not 2-wire with ground, a ground must be provided by the installer. When house wiring is aluminum, be sure to use UL-listed anti-oxidant compound and aluminum-to-copper connectors

⚠ ADVERTENCIA:

Si el cableado doméstico no cuenta con un cable de 2 hilos con conexión a tierra, un instalador debe realizar una conexión a tierra. Cuando el cableado doméstico es de aluminio, asegúrese de usar un compuesto antioxidante y conectores de aluminio a cobre aprobados por UL.

In this step you will need the junction box cover and the #10 Hex head screw from the screw kit set aside in Step 1

- Secure house wiring to the back of the junction box with a strain relief.
- Locate the three dishwasher wires, (white, black and green) with stripped ends. Insert dishwasher wires through the small hole in the junction box bracket. Use UL listed wire nuts of appropriate size to connect incoming ground to green, white to white and black to black.
- Install the junction box cover using #10 hex head screw. Check to be sure that wires are not pinched under the cover.



STEP 19: PRETEST CHECKLIST

Review this list after installing your dishwasher to avoid charges for a service call that is not covered by your warranty.

- Check to be sure power is OFF.
- Open door and remove all foam and paper packaging.
- Locate the Owner's Manual set aside in Step 1.
- Read the Owner's Manual for operating instructions.
- Check door opening and closing. If door does not open and close freely, check for proper routing of spring cable over pulley. If door drops or closes when released, adjust spring tension. See Step 2.
- Check to be sure that wiring is secure under the dishwasher, not pinched or in contact with door springs or other components. See Step 10.
- Check door alignment with tub. If door hits tub, level dishwasher. See Steps 14 and 15.
- Pull lower rack out, about halfway. Check to be sure it does not roll back or forward on the door. If the rack moves, adjust leveling legs. See Step 14.
- Check door alignment with cabinet. If door hits cabinet, reposition dishwasher. See Step 15.
- Check that door spring does not contact water line, fill hose, wiring or other components. See Step 16.
- Verify water supply and drain lines are not kinked or in contact with other components. Contact with motor or dishwasher frame could cause noise.
- Turn on the sink hot water faucet and verify water temperature. Incoming water temperature must be between 120°F and 150°F. A minimum of 120°F temperature is required for best wash performance. See "Prepare Hot Water Line," page 5.
- Add 2 quarts of water to the bottom of the dishwasher to lubricate the pump seal.
- Turn on water supply. Check for leaks. Tighten connections if needed.
- Remove protective film if present from the control panel and door.

Dishwasher Installation

STEP 20: DISHWASHER WET TEST

- Turn on power supply or plug power cord into outlet, if equipped
- Latch door.
- Push **Rinse Only** pad
- Push **Start/Reset** pad one time. Dishwasher should start
- Check to be sure that water enters the dishwasher. If water does not enter the dishwasher, check to be sure that water and power are turned on
- Check for leaks under the dishwasher. If a leak is found, turn off power at the breaker, and then tighten water connections. Restore power after leak is corrected
- Check for leaks around the door. A leak around the door could be caused by door rubbing or hitting against adjacent cabinets. Reposition the dishwasher if necessary. See Step 15
- The dishwasher will drain and turn off about 5 minutes after it was started. Check drain lines. If leaks are found, turn off power at the breaker and correct plumbing as necessary. Restore power after corrections are made. See Steps 7 and 17
- Open dishwasher door and make sure most of the water has drained. If not, check that disposer plug has been removed and/or air gap is not plugged. Also check drain hose to be sure it is not kinked underneath or behind dishwasher. See Step 17
- Press **Start/Reset** pad once again and run dishwasher through another "Rinse Only" cycle. Check for leaks and correct if required

STEP 21: REPLACE TOEKICK

- Place toekick against the legs of the dishwasher.

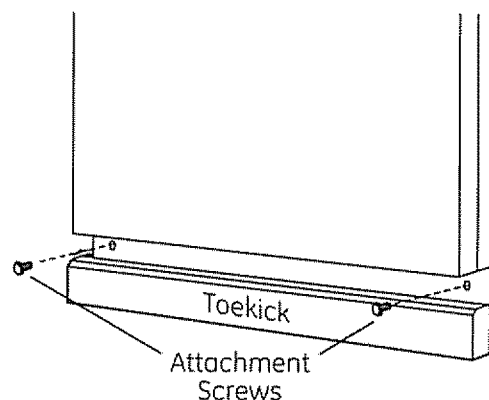


Figure CC

- Align the toekick with the bottom edge and make sure it is against the floor.
- Insert and tighten the two toekick attachment screws. The toekick should stay in contact with the floor.

Tip: Reduce sound from under the dishwasher.
Make sure toekick is against floor.

STEP 22: LITERATURE

- Be sure to leave complete literature package, these Installation Instructions and product samples and/or coupons with the consumer.

Notes

Notes

SPECIFICATIONS SUBJECT TO CHANGE WITHOUT NOTICE



GE Consumer & Industrial
General Electric Company
Louisville, Kentucky 40225
GEAppliances.com

© 2009 General Electric Company

Directives d'installation

Lave-vaisselle encastré

Pour toute question, composez le 1.800.561.3344 ou visitez notre site Web :
www.electromenagersge.ca

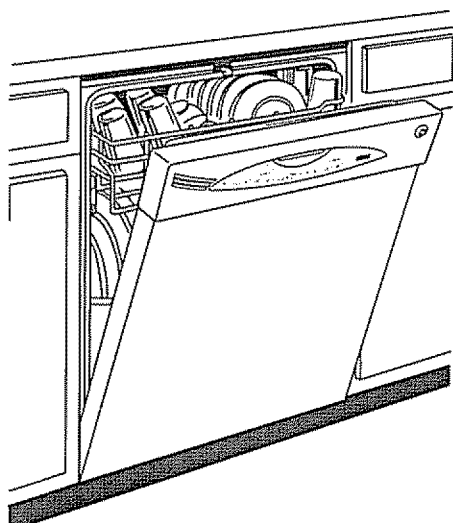


AVANT DE COMMENCER

Veillez lire attentivement toutes les directives qui suivent

IMPORTANT – Observez tous les codes et ordonnances en vigueur.

- **Note à l'installateur** – Veillez laisser les présentes directives au consommateur pour l'inspecteur local.
- **Note au consommateur** – Veillez conserver les présentes directives avec votre Manuel d'utilisation pour consultation ultérieure.
- **Compétences requises** – L'installation de ce lave-vaisselle exige des compétences de base en mécanique, en électricité et en plomberie. L'installateur est responsable de la qualité de l'installation. Toute défaillance du produit attribuable à une installation inadéquate n'est pas couverte par la garantie de GE. Reportez-vous à la garantie du produit.
- **Durée de l'installation** – Entre 1 et 3 heures. L'installation d'un nouveau lave-vaisselle exige plus de temps que le remplacement d'un ancien modèle.



IMPORTANT – Le lave-vaisselle DOIT être installé de manière à ce qu'il puisse être sorti de son emplacement si des réparations sont nécessaires.

Si le lave-vaisselle que vous avez reçu est endommagé, communiquez immédiatement avec votre détaillant ou l'entrepreneur en construction.

Accessoires facultatifs – Reportez-vous au Manuel d'utilisation pour connaître les ensembles pour panneau décoratif personnalisé offerts.

POUR VOTRE SÉCURITÉ

Veillez lire et observer toutes les mises en garde (ATTENTION et AVERTISSEMENT) données dans les présentes directives. Pour effectuer l'installation décrite dans les présentes directives, il faut porter des gants et des lunettes de sécurité.

**VEUILLEZ LIRE ATTENTIVEMENT ET
CONSERVER CES DIRECTIVES.**

Préparation pour l'installation

PIÈCES FOURNIES DANS L'EMBALLAGE :

- Deux vis à tête spéciale Phillips n° 8-18 x 15,8 mm (5/8 po) pour fixer le lave-vaisselle au dessous du comptoir
- Couvercle de la boîte de jonction et vis à tête hexagonale n° 10
- Collier
- Boyau de vidange (198 cm/78 po de long)
- Attaches
- Moulures supérieure et latérales (certains modèles)
- Documentation, échantillons et/ou bons
- 2 supports de montage latéraux et 4 vis de montage à tête creuse n° 8 pour les comptoirs non fabriqués en bois (certains modèles)

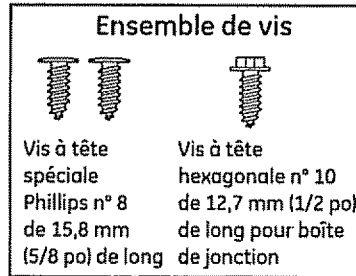


Collier



Boyau de vidange

Moulures supérieure et latérales (sur certains modèles)



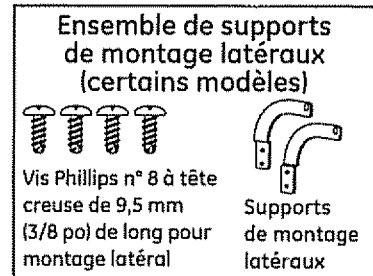
Ensemble de vis



Vis à tête spéciale Phillips n° 8 de 15,8 mm (5/8 po) de long



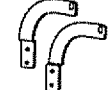
Vis à tête hexagonale n° 10 de 12,7 mm (1/2 po) de long pour boîte de jonction



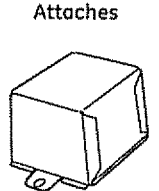
Ensemble de supports de montage latéraux (certains modèles)



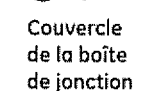
Vis Phillips n° 8 à tête creuse de 9,5 mm (3/8 po) de long pour montage latéral



Supports de montage latéraux



Attaches



Couvercle de la boîte de jonction

MATÉRIEL NÉCESSAIRE :

- Coude de 90°, bague et écrou à compression (filetage externe NPT de 9,5 mm (3/8 po) à une extrémité et l'autre extrémité conçue pour le raccordement à la conduite d'alimentation en eau)
- Ruban pour joints filetés
- Connecteurs vissables homologués UL (3)
- Ensemble de supports de montage latéraux GPF65 si le comptoir est en granite ou en matériau similaire



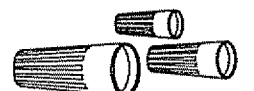
Coude de 90°, bague et écrou à compression



Robinet d'arrêt



Ruban pour joints filetés



Connecteurs vissables (3)



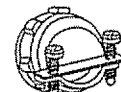
Colliers à vis sans fin



Câble électrique (ou cordon d'alimentation, s'il y a lieu)



Conduite d'eau chaude



Bague anti-traction



Coupe anti-refoulement



Ensemble de supports de montage latéraux GPF65



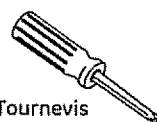
Boyau de vidange facultatif GPF10L de 3 m (10 pi)

Pour une nouvelle installation :

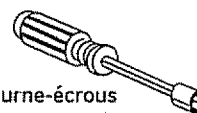
- Coupure anti-refoulement pour le boyau de vidange, si nécessaire
- Raccord en T pour la plomberie de la résidence, s'il y a lieu
- Câble électrique ou cordon d'alimentation
- Colliers à vis sans fin
- Bague anti-traction pour le raccordement électrique
- Robinet d'arrêt (recommandé)
- Conduite d'alimentation en eau - tuyau en cuivre d'au moins 9,5 mm (3/8 po)
- Boyau de vidange GPF10L (3 m/10 pi de long), si nécessaire

OUTILS NÉCESSAIRES :

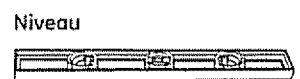
- Tournevis Phillips
- Tourne-écrous de 6,3 mm (1/4 po) et de 7,9 mm (5/16 po)
- Clé à molette de 15,2 cm (6 po)
- Niveau
- Équerre de charpentier
- Ruban à mesurer
- Lunettes de sécurité
- Lampe de poche
- Seau pour recueillir l'eau lors du rinçage de la conduite d'eau
- Clé à douille de 23,8 mm (15/16 po) (facultatif - pour enlever la base de bois)
- Gants



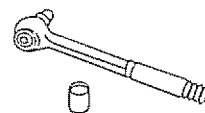
Tournevis Phillips



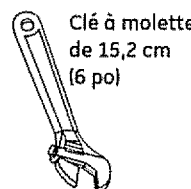
Tourne-écrous de 6,3 mm (1/4 po) et de 7,9 mm (5/16 po)



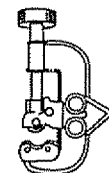
Niveau



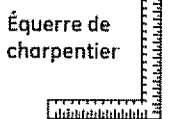
Clé à douille de 23,8 mm (15/16 po)



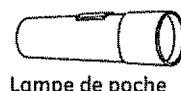
Clé à molette de 15,2 cm (6 po)



Coupe-tubes



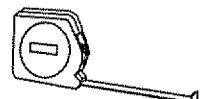
Équerre de charpentier



Lampe de poche



Lunettes de sécurité



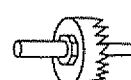
Ruban à mesurer



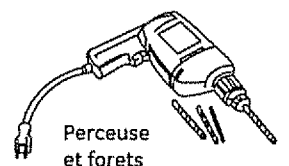
Gants



Seau



Jeu de scies-cloche



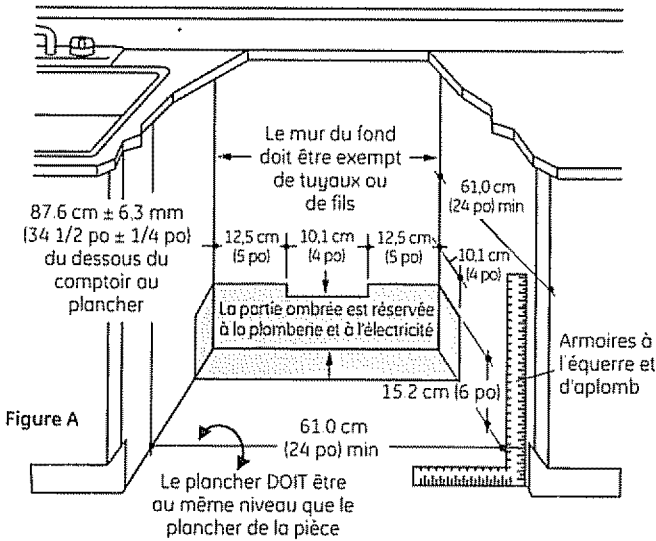
Perceuse et forets

Pour une nouvelle installation :

- Coupe-tubes
- Perceuse et forets appropriés
- Jeu de scies-cloche

Préparation pour l'installation

PRÉPARATION DE L'OUVERTURE DANS LES ARMOIRES



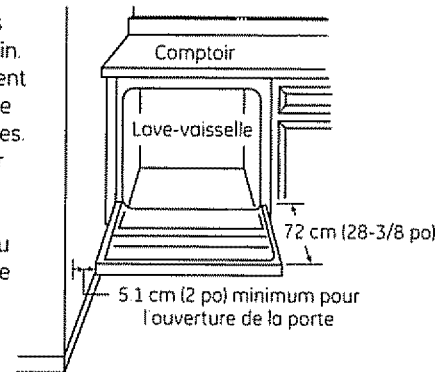
- L'ouverture dans les armoires doit mesurer au moins 61,0 cm (24 po) de largeur et de profondeur, et environ 87,6 cm (34-1/2 po) de hauteur à partir du plancher jusqu'au-dessous du comptoir.

⚠ AVERTISSEMENT :

Pour réduire les risques de choc électrique, d'incendie ou de blessures, l'installateur doit s'assurer que le lave-vaisselle est complètement encastré au moment de l'installation.

- Le lave-vaisselle doit être installé de façon à ce que le boyau de vidange mesure au maximum 3 mètres (10 pieds) pour assurer une vidange adéquate.
- Le dessus, les côtés et l'arrière du lave-vaisselle doivent être complètement dissimulés à l'intérieur de l'ouverture. Le lave-vaisselle ne doit soutenir aucune partie de la structure des armoires.

DÉGAGEMENTS : Dans le cas d'une installation dans un coin, veuillez prévoir un dégagement d'au moins 5,1 cm (2 po) entre le lave-vaisselle et les armoires, le mur ou un électroménager adjacent. Veuillez prévoir un dégagement d'au moins 72 cm (28-3/8 po) à l'avant du lave-vaisselle pour l'ouverture de la porte. Reportez-vous à la Figure B.



EXIGENCES RELATIVES AU SYSTÈME DE VIDANGE

- Veuillez observer les ordonnances et les codes locaux en vigueur.
- Le boyau de vidange doit avoir une longueur maximale de 3 mètres (10 pieds).

REMARQUE : Il faut installer une coupure anti-refoulement si le raccord au broyeur à déchets ou au raccord en T se trouve à moins de 46 cm (18 po) au-dessus du plancher afin d'éviter un siphonage.

CHOIX DE LA MÉTHODE DE VIDANGE

Le type d'installation de vidange dépend des conditions suivantes :

- Les ordonnances ou codes locaux en vigueur exigent-ils une coupure anti-refoulement ?
- Le raccord en T se trouve-t-il à moins de 46 cm (18 po) du plancher ?

Si vous répondez OUI à l'une ou l'autre de ces questions, vous DEVEZ utiliser la méthode n° 1.

- Si vous répondez NON, vous pouvez employer l'une ou l'autre des méthodes.

PRÉPARATION DES ARMOIRES

- Percez un trou de 3,8 cm (1-1/2 po) de diamètre dans la paroi de l'armoire qui se trouve dans la partie ombrée de la Figure A pour le boyau de vidange. Assurez-vous que l'orifice ne présente pas d'arêtes vives.

IMPORTANT – Lorsque vous branchez le boyau de vidange à un broyeur à déchets, assurez-vous d'enlever le bouchon de vidange. LE LAVE-VAISSELLE NE POURRA PAS SE VIDER SI VOUS LAISSEZ LE BOUCHON EN PLACE.

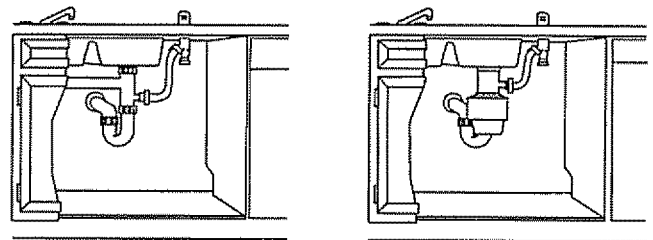
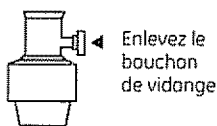


Figure C

Méthode n° 1 – Coupure anti-refoulement avec raccord en T ou broyeur à déchets

Il faut installer une coupure anti-refoulement lorsqu'elle est exigée par les ordonnances et les codes locaux en vigueur. Cette coupure anti-refoulement doit être installée conformément aux directives données par le fabricant.

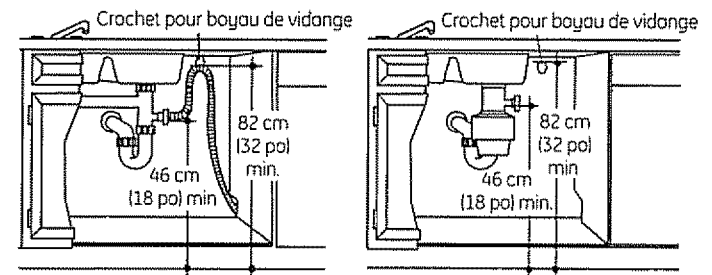


Figure D

Méthode n° 2 – Boucle de vidange élevée avec raccord en T ou broyeur à déchets

Conseil : Pour éviter des frais de réparation inutiles, assurez-vous d'enlever le bouchon de vidange du broyeur à déchets avant d'y brancher le boyau de vidange du lave-vaisselle.

Préparation pour l'installation

PRÉPARATION DU CÂBLAGE ÉLECTRIQUE

⚠ AVERTISSEMENT :

POUR VOTRE SÉCURITÉ PERSONNELLE : Enlevez le fusible ou déclenchez le disjoncteur au panneau de distribution principal avant de commencer l'installation. N'utilisez pas une rallonge électrique ou un adaptateur de fiche avec cet appareil

Alimentation électrique

- Cet appareil doit être alimenté par un courant de 120 V et 60 Hz, et branché à un circuit individuel correctement mis à la terre et protégé par un disjoncteur de 15 ou 20 ampères ou un fusible temporisé
- Le câble électrique doit posséder deux fils, plus un fil de mise à la terre, et résister à une température nominale de 75 °C (176 °F)
- Si votre alimentation électrique ne répond pas à ces exigences, appelez un électricien agréé avant de poursuivre l'installation

Mise à la terre - Branchement permanent

Cet appareil doit être branché à un réseau électrique permanent mis à la terre. Sinon, il faut installer un conducteur de mise à la terre avec les conducteurs du circuit et le brancher à la borne de mise à la terre du réseau ou au fil de mise à la terre de l'appareil

Mise à la terre - Modèles dotés d'un cordon d'alimentation

Cet appareil doit être mis à la terre. En cas de mauvais fonctionnement ou de défaillance, la mise à la terre réduira les risques de choc électrique en fournissant au courant électrique un circuit de moindre résistance. Cet appareil est doté d'un cordon d'alimentation possédant un conducteur de mise à la terre et une fiche de mise à la terre. La fiche doit être branchée dans une mise appropriée, installée et mise à la terre en conformité avec tous les codes locaux et ordonnances en vigueur.

⚠ AVERTISSEMENT :

Un branchement inadéquat du conducteur de mise à la terre peut présenter des risques de choc électrique. Si vous n'êtes pas certain que l'appareil est correctement mis à la terre, consultez un réparateur ou un électricien qualifié

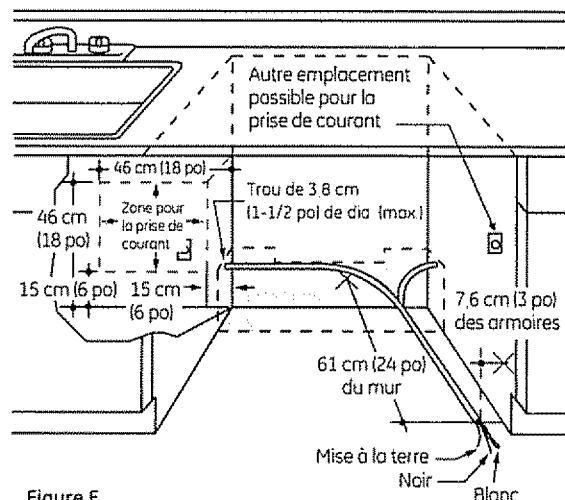


Figure E

Dans le cas des modèles dotés d'un cordon d'alimentation :

Ne modifiez pas la fiche fournie avec l'appareil; si vous ne pouvez pas la brancher dans la prise de courant, faites installer une prise de courant appropriée par un technicien qualifié.

Préparation des armoires et cheminement des fils

- Les fils peuvent entrer dans l'ouverture du côté droit, du côté gauche, de l'arrière ou du plancher dans la partie ombrée de la Figure E et de la Figure A
- Percez un trou de 3,8 cm (1-1/2 po) de diamètre au maximum pour le passage du câble électrique. Les fils électriques pour le branchement permanent peuvent passer par le même trou que le boyau de vidange et la conduite d'eau chaude, si c'est plus pratique. Si le trou est pratiqué dans une paroi en métal, les bords de l'orifice doivent être recouverts d'un passe-fils pour protéger les fils.

REMARQUE : Le cordon d'alimentation doté d'une fiche doit passer par un autre trou.

Branchement électrique du lave-vaisselle

Le branchement électrique s'effectue du côté avant droit du lave-vaisselle.

- Dans le cas d'un branchement permanent, le câble doit être acheminé de la façon indiquée à la Figure E. Le câble doit avoir une longueur minimale de 61 cm (24 po) à partir du mur arrière
- Dans le cas d'un branchement avec un cordon d'alimentation, installez une prise de courant mise à la terre à trois broches sur la paroi de l'armoire adjacente, entre 15 cm (6 po) et 46 cm (18 po) de l'ouverture, et entre 15 cm (6 po) et 46 cm (18 po) du plancher.

Préparation pour l'installation

PRÉPARATION DE L'ALIMENTATION EN EAU CHAUDE

- La conduite peut entrer du côté gauche, du côté droit, de l'arrière ou du plancher dans la partie ombrée indiquée dans la Figure F
- La conduite peut passer par le même trou que le câble électrique et le boyau de vidange, ou vous pouvez percer un trou supplémentaire de 3,8 cm (1-1/2 po) de diamètre pour le passage de la conduite d'eau. Si l'appareil est doté d'un cordon d'alimentation pourvu d'une fiche, la conduite d'eau chaude ne doit pas passer par le même trou que le cordon d'alimentation.

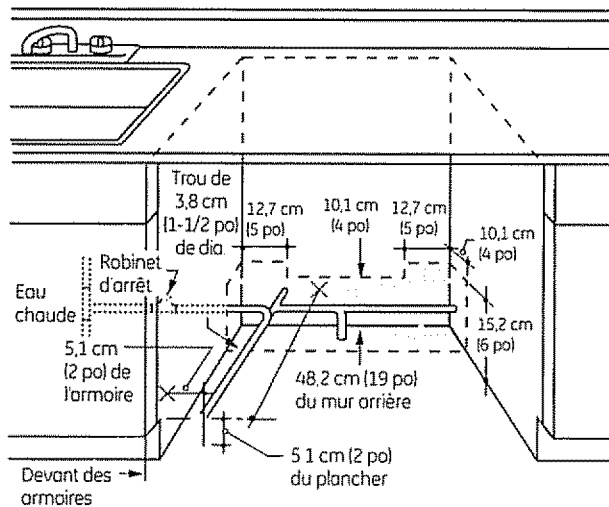


Figure F

Raccordement de la conduite d'eau chaude

- Coupez l'alimentation en eau
- Installez un robinet d'arrêt à un endroit accessible, par exemple sous l'évier. (Cette installation est facultative, mais fortement recommandée, et peut même être exigée par les codes locaux en vigueur.)
- Le raccordement de la conduite d'eau s'effectue du côté gauche du lave-vaisselle. Installez la conduite d'eau chaude en utilisant un tuyau en cuivre de 9,5 mm (3/8 po) ou plus. Acheminez la conduite d'eau de la façon indiquée dans la Figure F et amenez-la vers l'avant à au moins 48,2 cm (19 po) du mur arrière
- Réglez le chauffe-eau à une température variant entre 49 °C (120 °F) et 65 °C (150 °F)
- Rincez la conduite d'eau pour éliminer tous les débris. Recueillez l'eau et les débris à l'aide d'un seau.
- La pression de la conduite d'alimentation en eau chaude doit varier entre 1.4 bar (20 lb/po²) et 8.3 bars (120 lb/po²)

Tournez la page pour commencer l'installation du lave-vaisselle.

Installation du lave-vaisselle

⚠ ATTENTION :

N'enlevez pas la base de bois avant d'être prêt à installer le lave-vaisselle. Si vous enlevez la base de bois, le lave-vaisselle pourrait basculer lorsque vous ouvrez la porte.

ÉTAPE 1 : PRÉPARATION

Prenez les pièces fournies dans l'emballage et mettez-les de côté en vue de les utiliser au cours des étapes indiquées ci-dessous :

- Ensemble de vis - étapes 5 ou 18 et 15
- Couvercle de la boîte de jonction - étape 5 ou 18
- Boyau de vidange et collier - étape 7
- Crochet pour boyau de vidange - étape 17
- Moulures (certains modèles) - étape 11
- Manuel d'utilisation - étapes 19 et 22
- Échantillons et/ou bons - étape 22
- Ensemble de supports de montage latéraux - étape 12

ÉTAPE 2 : VÉRIFICATION DE L'ÉQUILIBRE DE LA PORTE

- Sans enlever la base de bois du lave-vaisselle, vérifiez l'équilibre de la porte en l'ouvrant et en la fermant.
- La porte est correctement équilibrée lorsqu'elle s'ouvre doucement et complètement quand elle est à moitié ouverte, et qu'elle ne se relève pas lorsqu'elle est totalement ouverte.
- Au besoin, augmentez ou diminuez la tension de la façon indiquée dans l'illustration. Verrouillez la porte et réglez les ressorts de manière à obtenir un équilibre approprié.

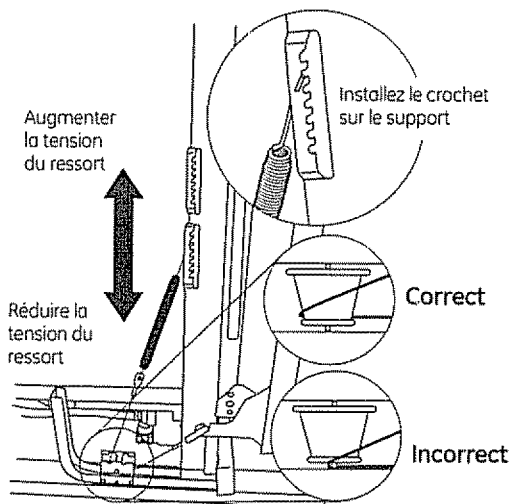


Figure G

Conseil : Pour que la porte ouvre et se ferme facilement. Vérifiez la porte en l'ouvrant et en la fermant. Si elle n'ouvre pas facilement ou s'ouvre trop rapidement, vérifiez la disposition du câble du ressort. Le câble est retenu en place par des «épaulements» sur la poulie. Assurez-vous que le câble est bien installé sur les épaulements de la poulie.

ÉTAPE 3 : ENLÈVEMENT DE LA BASE DE BOIS, INSTALLATION DES PIEDS DE NIVELLEMENT

IMPORTANT – Ne frappez pas sur la base de bois pour l'enlever! Vous endommagerez ainsi l'appareil.

- Amenez le lave-vaisselle à proximité de son emplacement définitif et couchez-le sur le dos.
- Enlevez les quatre pieds de nivellement sous la base de bois à l'aide d'une clé à douille de 23,8 cm (15/16 po).
- Enlevez et jetez la base de bois.

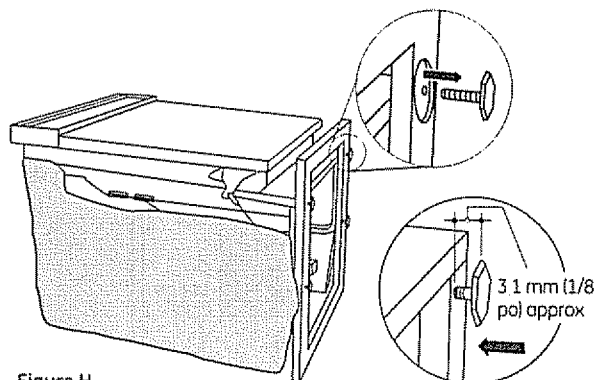


Figure H

- Remettez en place les pieds de nivellement sur le lave-vaisselle à 3,1 cm (1/8 po) environ du cadre, comme indiqué dans l'illustration.

ÉTAPE 4 : ENLÈVEMENT DU PANNEAU INFÉRIEUR

- Enlevez les deux vis du panneau inférieur, ainsi que le panneau inférieur. Mettez-les de côté pour les réutiliser à l'étape 21.

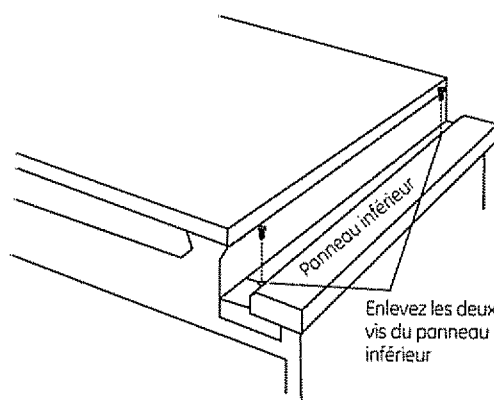


Figure I

Installation du lave-vaisselle

ÉTAPE 5 : INSTALLATION DU CORDON D'ALIMENTATION

Sautez cette étape si le lave-vaisselle est branché de façon permanente au circuit électrique de la résidence.

Au cours de cette étape, vous aurez besoin du couvercle de la boîte de jonction et de la vis à tête hexagonale n° 10 x 12,7 m (1/2 po) provenant de l'ensemble de vis que vous avez mis de côté à l'étape 1.

Le cordon d'alimentation et les raccordements doivent être conformes aux exigences de la section 422 du National Electrical Code des É.-U. et(ou) aux ordonnances et aux codes locaux en vigueur. Le cordon d'alimentation doit avoir une longueur maximale de 1,8 m (6 pi). Le cordon d'alimentation n° WX09X70910, que vous pouvez vous procurer auprès d'un détaillant autorisé d'électroménagers GE, répond à cette exigence.

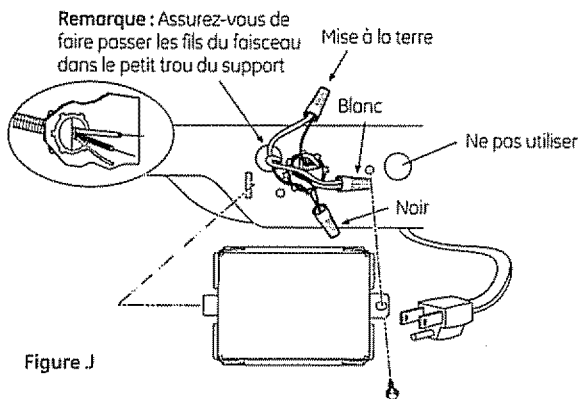


Figure J

- Installez la bague anti-traction sur le support de la boîte de jonction.
- Faites passer le cordon d'alimentation dans la bague anti-traction, puis serrez la bague.
- Assurez-vous que les fils noir, blanc et vert du lave-vaisselle ont été passés dans le petit trou du support de la boîte de jonction.
- Raccordez le fil blanc (ou nervuré) du cordon d'alimentation au fil blanc du lave-vaisselle, le fil noir (ou lisse) au fil noir du lave-vaisselle et le fil de mise à la terre au fil vert du lave-vaisselle. Utilisez des connecteurs vissables homologués UL de la grosseur appropriée.
- Installez le couvercle de la boîte de jonction à l'aide de la vis à tête hexagonale n° 10. Assurez-vous que les fils ne sont pas coincés sous le couvercle.

ÉTAPE 6 : INSTALLATION DU COUDE DE 90°

- Appliquez du ruban pour joints filetés sur les filets du coude de 90°.
- Vissez le coude de 90° dans l'électrovanne.
- Ne serrez pas le coude de façon excessive; le support de l'électrovanne pourrait se déformer ou le raccord de l'électrovanne pourrait se casser.
- Tournez l'extrémité du coude pour qu'il pointe vers l'arrière du lave-vaisselle.

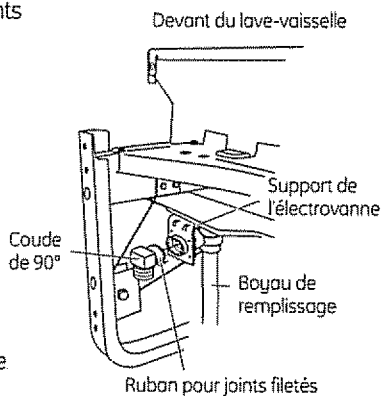


Figure K

ÉTAPE 7 : RACCORDEMENT DU BOYAU DE VIDANGE À LA SORTIE DE LA POMPE

Sautez cette étape si le boyau de vidange a été installé à l'usine. Au cours de cette étape, vous aurez besoin du boyau de vidange et du collier mis de côté à l'étape 1.

- Remettez le lave-vaisselle sur ses pieds.
- Installez un collier sur l'extrémité de 30,1 mm (1-3/8 po) de diamètre du boyau de vidange. Installez le collier de manière que la vis soit sous le boyau. Reportez-vous à la Figure L.

IMPORTANT – Faites attention de ne pas endommager le boyau de vidange afin d'éviter toute fuite possible. Faites attention de ne pas percer ou couper le boyau de vidange.

- Insérez l'extrémité du boyau de vidange sur l'orifice de sortie de la pompe, en faisant attention de ne pas déplacer l'électrovanne. Reportez-vous à la Figure L.
- Appuyez l'extrémité du boyau de vidange contre les butées de l'orifice de sortie de la pompe.
- Appuyez le collier contre la lèvre avant du boyau de vidange, puis serrez le collier.

REMARQUE : Le boyau de vidange fourni avec le lave-vaisselle mesure environ 2 mètres (78 po) de longueur. Si vous avez besoin d'un boyau plus long, vous pouvez vous procurer un boyau de 3 mètres (10 pieds) auprès d'un détaillant autorisé d'électroménagers GE. Le numéro de pièce du boyau de 3 mètres de long est le GPF10L.

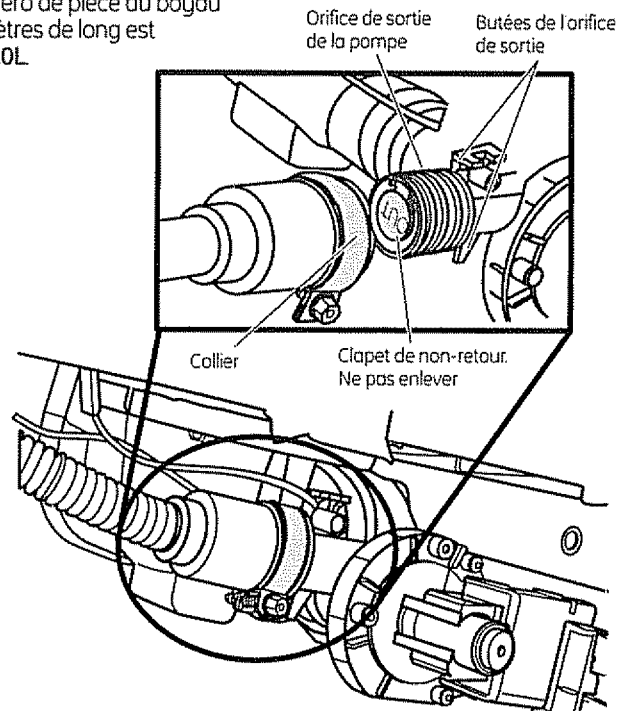


Figure L

Conseil : Pour éviter les frais de réparation inutiles. Effectuez un raccordement sans fuites.

Appuyez le boyau contre les butées de l'orifice de la pompe. Placez le collier contre la lèvre avant du boyau de vidange, en plaçant la vis du collier sous le boyau. Serrez le collier à un couple d'au moins 15 po-lb.

Conseil : Pour atténuer le bruit produit par la pompe.

Placez le collier du boyau de vidange de manière que la vis soit sous le boyau pour empêcher le bruit que pourrait causer le collier en entrant en contact avec le fond de la cuve. Reportez-vous à la Figure L.

Installation du lave-vaisselle

ÉTAPE 8 : POSITIONNEMENT DE LA CONDUITE D'EAU ET DE L'ALIMENTATION ÉLECTRIQUE

- Positionnez la conduite d'alimentation en eau et le câblage de la résidence sur le plancher de l'ouverture afin qu'ils n'entrent pas en contact avec la base du lave-vaisselle et les pièces sous l'appareil.

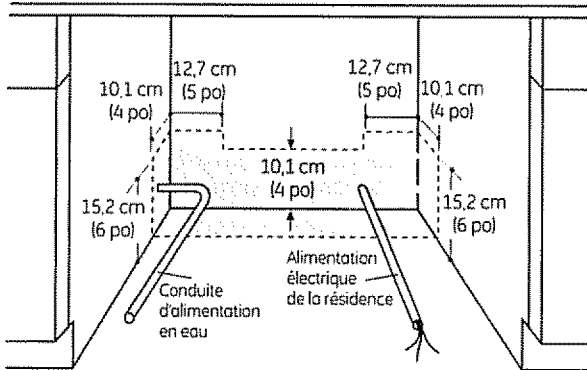


Figure M

ÉTAPE 9 : INSERTION DU BOYAU DE VIDANGE DANS L'ORIFICE DE L'ARMOIRE

- Placez le lave-vaisselle vis-à-vis de l'ouverture dans les armoires. Insérez le boyau de vidange dans l'orifice que vous avez précédemment percé dans la paroi des armoires. Si l'appareil est doté d'un cordon d'alimentation, faites passer l'extrémité du cordon dans un trou distinct.

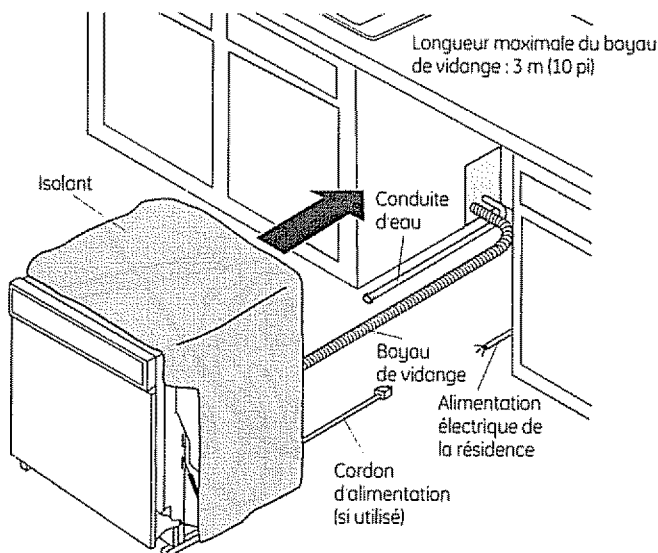


Figure N

Conseil : Pour éviter des frais de réparation inutiles pour des problèmes de remplissage, de vidange ou de bruit. Placez la conduite d'eau et le câble électrique de manière à ce qu'ils n'entrent pas en contact avec quoi que ce soit à l'arrière ou en dessous du lave-vaisselle.

ÉTAPE 10 : INSERTION AUX TROIS QUARTS DU LAVE-VAISSELLE DANS L'OUVERTURE

IMPORTANT – Ne poussez pas sur le panneau avant avec vos genoux. Vous pourriez endommager l'appareil.

- Saisissez le panneau avant de l'appareil par les côtés et faites glisser le lave-vaisselle dans l'ouverture de quelques centimètres ou pouces à la fois.

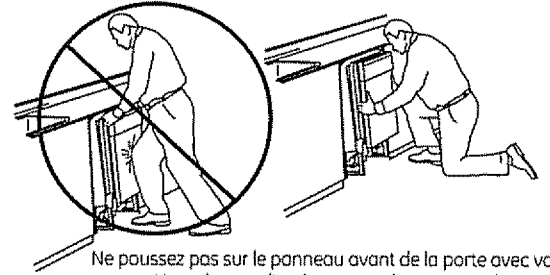


Figure O

Ne poussez pas sur le panneau avant de la porte avec votre genou. Vous risquez d'endommager le panneau de porte.

- Tirez sur le boyau de vidange et le cordon d'alimentation, s'il y a lieu, par les trous des armoires adjacentes au fur et à mesure. Arrêtez lorsque le lave-vaisselle dépasse le devant des armoires adjacentes d'environ 15 cm (6 po).
- Assurez-vous que le boyau de vidange n'est pas plié à l'arrière ou en dessous du lave-vaisselle.
- Assurez-vous que le câble électrique de la résidence, le boyau de vidange et la conduite d'eau n'entrent pas en contact avec des pièces sous le lave-vaisselle.

ÉTAPE 11 : INSTALLATION DES MOULURES (certains modèles)

Sautez cette étape si aucune moulure n'est fournie avec le lave-vaisselle.

Au cours de cette étape, vous aurez besoin des moulures mises de côté à l'étape 1.

- Placez les moulures de manière que les lèvres soient orientées vers la porte du lave-vaisselle.
- Prenez une moulure longue et appuyez-la sur le rebord gauche de la cuve. En commençant par l'extrémité supérieure, appuyez sur la moulure pour qu'elle soit bien insérée sur le bord de la cuve en vous déplaçant vers le bas de la moulure. Procédez de la même façon pour la moulure sur le rebord droit de la cuve.
- Installez la dernière moulure sur le rebord supérieur de la cuve.

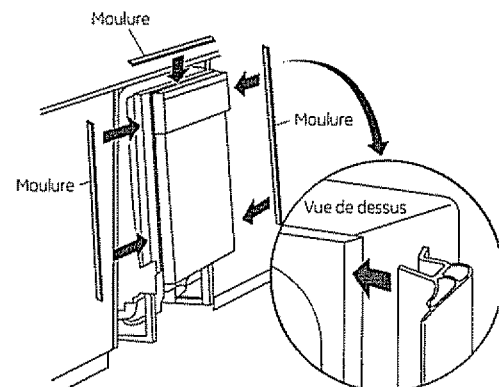


Figure P

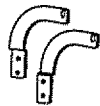
Installation du lave-vaisselle

ÉTAPE 12 : INSTALLATION DES SUPPORTS DE MONTAGE LATÉRAUX GPF65

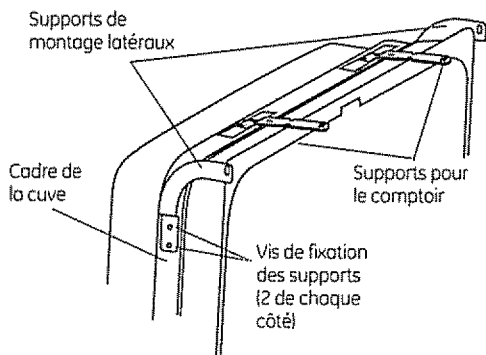
Sautez cette étape si le dessous du comptoir est en bois ou fabriqué à l'aide d'un matériau similaire.

Au cours de cette étape, vous aurez besoin de l'ensemble de supports de montage latéraux mis de côté à l'étape 1.

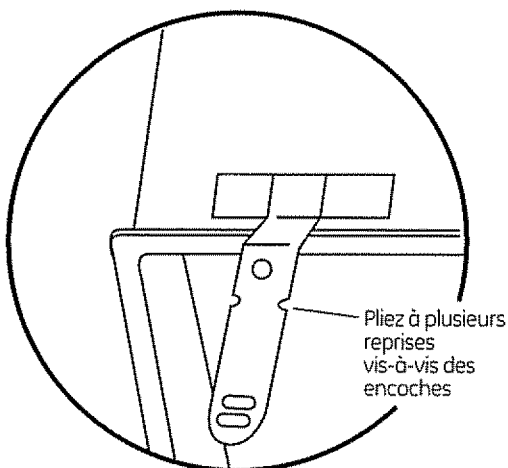
- Installez les supports de montage latéraux si le dessous du comptoir est en granite ou en un matériau similaire qui n'accepte pas les vis à bois.
- Fixez le support gauche du côté gauche du cadre du lave-vaisselle, et le support droit du côté droit du cadre du lave-vaisselle à l'aide des vis n° 8 à tête creuse fournies dans l'ensemble. Pour connaître l'orientation et l'emplacement des supports, reportez-vous aux directives fournies dans l'ensemble.



Supports de montage latéraux facultatifs



- Si vous installez le lave-vaisselle sous un comptoir dont la profondeur est plus courte, il est possible que les supports pour le comptoir dépassent à l'avant du comptoir. Dans un tel cas, coupez la longueur excessive en pliant les supports à plusieurs reprises vis-à-vis des encoches jusqu'à ce qu'ils cassent.



ÉTAPE 13 : INSTALLATION DU LAVE-VAISSELLE DANS SON EMPLACEMENT DÉFINITIF

- Vérifiez l'isolant de la cuve. S'il y a lieu, pour vous assurer qu'il enveloppe complètement la cuve. L'isolant ne doit pas «retrousser» ou entrer en contact avec les ressorts de la porte. Si l'isolant est «déplacé» ou entre en contact avec les ressorts, remplacez-le correctement avant de faire glisser l'appareil dans son emplacement définitif.
- Faites glisser le lave-vaisselle dans son emplacement définitif en poussant sur les côtés du panneau de la porte. Ne poussez pas sur le centre du panneau avec votre genou. Vous pourriez endommager le panneau.
- Le lave-vaisselle est à son emplacement définitif lorsque les bords du panneau avant sont à égalité avec les armoires adjacentes et que le lave-vaisselle est bien centré dans l'ouverture.

IMPORTANT – Avant d'ouvrir la porte du lave-vaisselle, assurez-vous que les bords du panneau de porte du lave-vaisselle sont en retrait par rapport au devant des armoires adjacentes, et non pas appuyés contre le devant des armoires. Reportez-vous à la Figure Q. Si vous ouvrez la porte du lave-vaisselle et que le bord de la porte est appuyé contre le devant des armoires, vous pourriez endommager la porte du lave-vaisselle et les armoires.

- Ouvrez et fermez la porte du lave-vaisselle pour vous assurer qu'elle fonctionne correctement et qu'elle ne frotte pas contre les armoires adjacentes.

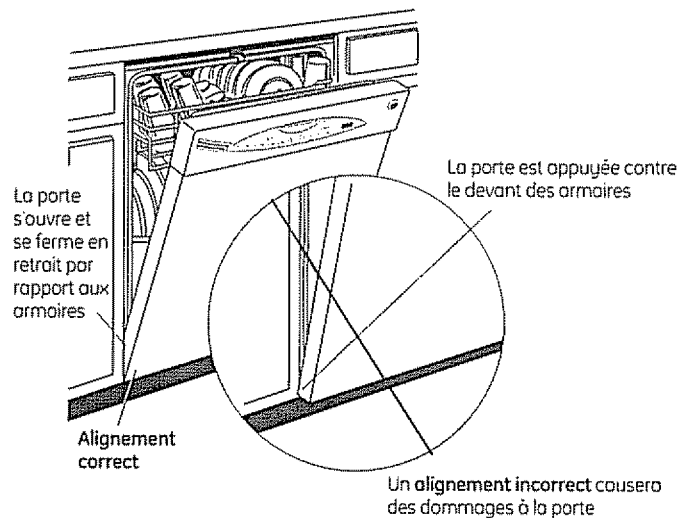


Figure Q

Conseil : Pour éviter des frais de réparation inutiles pour des dommages au panneau avant ou un problème d'efficacité de lavage.

Vérifiez l'alignement du lave-vaisselle avant d'ouvrir la porte afin de prévenir tout dommage au panneau de la porte.

Assurez-vous que la conduite d'eau et le câble électrique ne sont pas coincés ou écrasés à l'arrière du lave-vaisselle. Une conduite écrasée réduit le débit d'eau.

Installation du lave-vaisselle

ÉTAPE 14 : MISE DE NIVEAU DU LAVE-VAISSELLE

IMPORTANT – Le lave-vaisselle doit être de niveau pour assurer le bon fonctionnement des paniers et de la porte du lave-vaisselle et obtenir une bonne efficacité de lavage. Le lave-vaisselle doit être mis de niveau de gauche à droite, et de l'avant vers l'arrière. De cette façon, les paniers de l'appareil ne rentreront pas ou ne sortiront pas tout seuls, l'eau circulera correctement vers l'orifice d'entrée de la pompe et la porte se fermera sans frotter sur les côtés de la cuve.

- Enlevez le panier inférieur et placez un niveau sur la porte et sur le rail du panier inférieur, comme indiqué à la Figure R.
- Mettez le lave-vaisselle de niveau en vissant ou dévissant chacun des quatre pieds de nivellement sous l'appareil, comme indiqué à la Figure S.
- Le lave-vaisselle est correctement de niveau lorsque l'indicateur de niveau est centré de gauche à droite et de l'avant vers l'arrière. La porte du lave-vaisselle devrait se fermer sans frotter contre les côtés de la cuve.
- Remettez en place le panier inférieur.

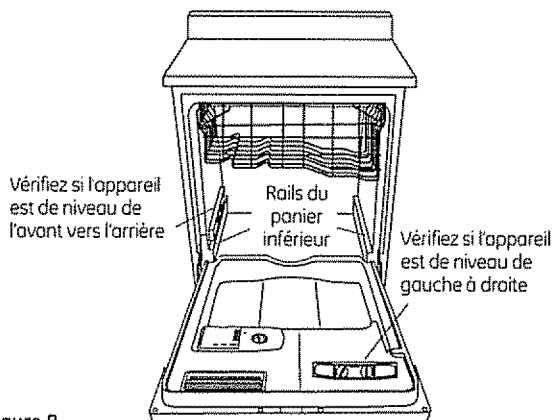


Figure R

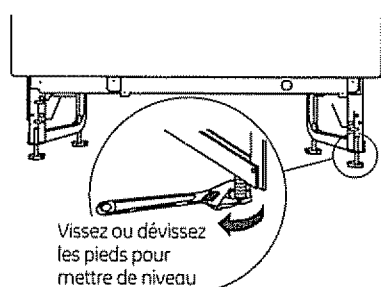


Figure S

Conseil : Pour éviter des frais de réparation inutiles, vérifiez si le lave-vaisselle est de niveau.

Sortez les paniers à moitié. Ils doivent demeurer immobiles. Ouvrez et fermez la porte. La porte doit être bien ajustée à l'ouverture de la cuve sans frotter sur les côtés. Si les paniers rentrent ou sortent tout seuls ou si la porte frotte contre les côtés de la cuve, remettez le lave-vaisselle de niveau.

ÉTAPE 15 : FIXATION DU LAVE-VAISSELLE AU-DESSOUS DU COMPTOIR OU AUX CÔTÉS DES ARMOIRES

Au cours de cette étape, vous aurez besoin des deux vis à tête spéciale Phillips mises de côté à l'étape 1.

Le lave-vaisselle doit être fixé au dessous du comptoir ou aux côtés des armoires. Lorsque le dessous du comptoir est en bois, utilisez la **méthode n° 1**. Lorsque le dessous du comptoir est fabriqué à l'aide d'un matériau qui n'accepte pas les vis à bois, par exemple en granite, utilisez la **méthode n° 2**.

IMPORTANT – Pour éviter tout dommage au panneau de la porte et au tableau de commande, il faut que le lave-vaisselle soit installé de manière que le panneau avant et le tableau de commande n'entrent pas en contact avec les armoires adjacentes ou le comptoir. Vissez les vis complètement et bien droites. Les têtes de vis qui dépassent pourraient égratigner le panneau de porte ou le tableau de commande et créer de l'interférence lors de l'ouverture de la porte.

Méthode n° 1

Fixation du lave-vaisselle au dessous d'un comptoir en bois.

- Revérifiez l'alignement du lave-vaisselle dans l'ouverture des armoires. Reportez-vous aux étapes 13 et 14. Le panneau de porte et/ou le tableau de commande ne doivent pas entrer en contact avec les armoires ou le comptoir.
- Fixez le lave-vaisselle au dessous du comptoir à l'aide des deux vis à tête spéciale Phillips. Reportez-vous à la Figure T. Assurez-vous de visser complètement les vis bien droites afin que les têtes soient affleurantes pour ne pas endommager le panneau.

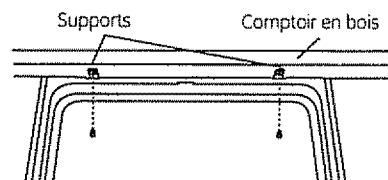


Figure T

Méthode n° 2

Fixation du lave-vaisselle aux côtés des armoires. Cette méthode exige l'achat de l'ensemble de supports de montage latéraux GPF65. Reportez-vous à l'étape 12.

- Revérifiez l'alignement du lave-vaisselle dans l'ouverture des armoires. Reportez-vous aux étapes 13 et 14. Le panneau de porte et/ou le tableau de commande ne doivent pas entrer en contact avec les armoires ou le comptoir.
- Fixez le lave-vaisselle au dessous du comptoir à l'aide des deux vis à tête spéciale Phillips. Reportez-vous à la Figure U. Assurez-vous de visser complètement les vis bien droites afin que les têtes soient affleurantes pour ne pas endommager le panneau.

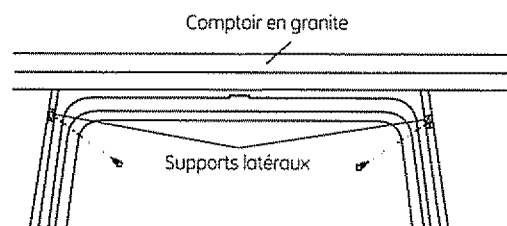


Figure U

Installation du lave-vaisselle

ÉTAPE 16 : RACCORDEMENT DE L'ALIMENTATION EN EAU

Raccordez la conduite d'alimentation en eau au coude de 90°

- Faites glisser l'écrou à compression et ensuite la bague sur l'extrémité de la conduite d'alimentation en eau.
- Insérez la conduite d'alimentation en eau dans le coude de 90°
- Faites glisser la bague contre le coude et serrez-la à l'aide de l'écrou à compression.

IMPORTANT – Assurez-vous que les ressorts et/ou les câbles des ressorts de la porte n'entrent pas en contact avec le boyau de remplissage ou la conduite d'alimentation en eau. Pour vérifier, ouvrez et refermez la porte. Déplacez la conduite d'alimentation en eau ou pliez légèrement le support de l'électrovanne si vous entendez un bruit de frottement ou s'il y a de l'interférence lors de l'ouverture de la porte.

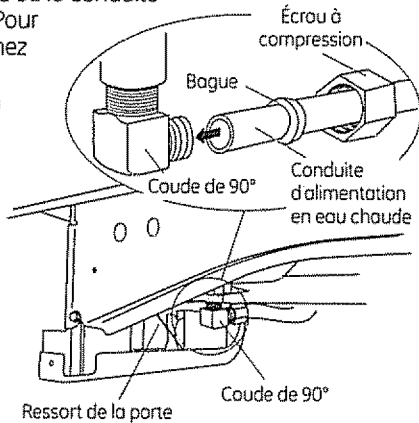


Figure V

ÉTAPE 17 : RACCORDEMENT DU BOYAU DE VIDANGE

L'extrémité moulée du boyau de vidange est conçue pour s'installer sur l'orifice d'entrée d'un diamètre variant entre 15,8 mm (5/8 po) et 25,4 mm (1 po) de la coupure anti-refoulement, du raccord en T ou du broyeur à déchets.

- Mesurez le diamètre de l'orifice d'entrée
- Coupez le raccord du boyau de vidange à l'endroit indiqué, au besoin, pour qu'il soit bien adapté à l'orifice d'entrée.

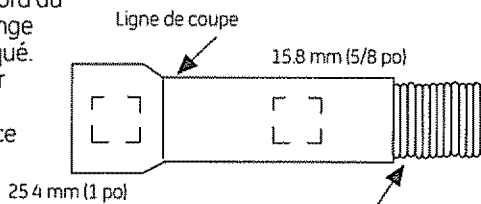


Figure W

IMPORTANT : Ne coupez pas la partie ondulée du boyau

- Si vous avez besoin d'un boyau de vidange plus long mais n'avez pas acheté le boyau de vidange GPF10L, ajoutez au boyau de vidange installé à l'usine une longueur maximale de 106 cm (42 po) pour une longueur totale de 3 mètres (120 po). Pour ce faire, utilisez un boyau dont le diamètre intérieur est de 15,8 mm (5/8 po) ou de 21,7 mm (7/8 po) et un raccord pour relier l'extrémité des deux boyaux. Fixez le raccord à l'aide de colliers.

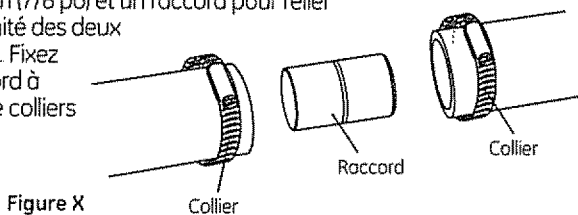
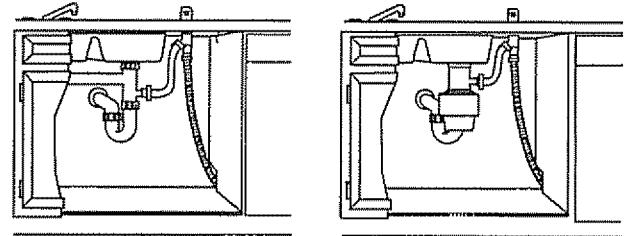


Figure X

REMARQUE : POUR UNE VIDANGE ADÉQUATE DE L'APPAREIL, LA LONGUEUR TOTALE DU BOYAU DE VIDANGE NE DOIT PAS DÉPASSER 3 MÈTRES (10 PIEDS).

- Branchez le boyau de vidange à la coupure anti-refoulement, au raccord en T ou au broyeur à déchets à l'aide de la méthode choisie précédemment. Fixez solidement le boyau à l'aide d'un collier à vis sans fin.

Méthode n° 1 – Coupure anti-refoulement avec raccord en T ou broyeur à déchets



Installation avec raccord en T

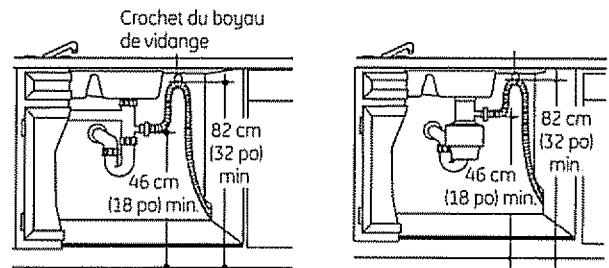
Installation avec broyeur à déchets

Figure Y

Méthode n° 2 – Boucle de vidange élevée avec raccord en T ou broyeur à déchets

Pour cette méthode, vous aurez besoin du crochet pour boyau de vidange mis de côté à l'étape 1.

Fixez le boyau de vidange au-dessous du comptoir à l'aide du crochet fourni.

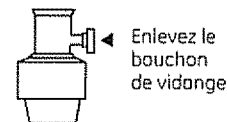


Installation avec raccord en T

Installation avec broyeur à déchets

Figure Z

IMPORTANT – Lorsque vous raccordez le boyau de vidange à un broyeur à déchets, assurez-vous d'enlever le bouchon de vidange. **LE LAVE-VAISSELLE NE SE VIDERA PAS SI LE BOUCHON EST LAISSÉ EN PLACE.**



Enlevez le bouchon de vidange

Conseil : Pour éviter les frais de réparation inutiles pour un problème de vidange.

Tirez sur le boyau de vidange par l'ouverture pratiquée dans les armoires afin d'empêcher le lave-vaisselle d'écraser ou de plier une longueur excessive de boyau.

Installation du lave-vaisselle

ÉTAPE 18 : BRANCHEMENT DE L'ALIMENTATION ÉLECTRIQUE

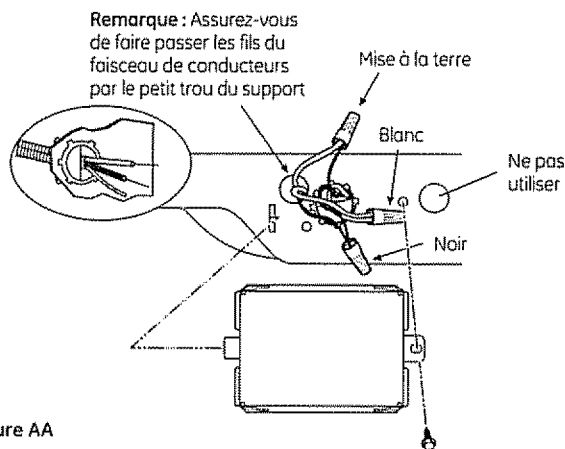
Si un cordon d'alimentation pourvu d'une fiche est déjà installé sur l'appareil, passez à l'étape 19.

⚠ AVERTISSEMENT :

Si le câblage électrique de la résidence n'est pas constitué de deux fils plus un fil de mise à la terre, l'installateur doit installer un fil de mise à la terre. Si le câblage électrique de la résidence est en aluminium, utilisez un agent antioxydant et des connecteurs pour raccords «aluminium-cuivre» homologués UL.

Au cours de cette étape, vous aurez besoin du couvercle de la boîte de jonction et de la vis à tête hexagonale n° 10 de l'ensemble de vis, mis de côté à l'étape 1.

- Fixez le câblage de la résidence à l'arrière de la boîte de jonction à l'aide d'une bague anti-traction
- Repérez les trois fils du lave-vaisselle (blanc, noir et vert) dont l'extrémité est dénudée. Faites-les passer par le petit trou dans le support de la boîte de jonction. Utilisez des connecteurs vissables homologués UL de la grosseur appropriée pour brancher le fil de mise à la terre au fil vert, le fil blanc au fil blanc, et le fil noir au fil noir.
- Installez le couvercle de la boîte de jonction à l'aide de la vis à tête hexagonale n° 10. Assurez-vous que les fils ne sont pas coincés sous le couvercle.



ÉTAPE 19 : LISTE DE CONTRÔLE PRÉLIMINAIRE

Passez en revue cette liste après l'installation de votre lave-vaisselle pour éviter des frais de réparation inutiles non couverts par votre garantie.

- Assurez-vous que le courant électrique est coupé à la source
- Ouvrez la porte du lave-vaisselle et enlevez tout le matériel d'emballage en carton et en mousse
- Prenez le Manuel d'utilisation mis de côté à l'étape 1.
- Veuillez lire le Manuel d'utilisation pour vous familiariser avec le fonctionnement de l'appareil
- Vérifiez l'ouverture et la fermeture de la porte. Si la porte n'ouvre pas et ne se ferme pas librement, vérifiez si le câble du ressort est installé sur la poulie. Si la porte s'ouvre complètement ou se ferme lorsque vous la relâchez, réglez la tension du ressort. Reportez-vous à l'étape 2.
- Assurez-vous que le câblage électrique est bien placé sous le lave-vaisselle, qu'il n'est pas coincé ou qu'il n'entre pas en contact avec les ressorts de la porte ou d'autres pièces de l'appareil. Reportez-vous à l'étape 10.
- Vérifiez si la porte est bien parallèle par rapport à la cuve. Si la porte frotte sur la cuve, mettez le lave-vaisselle de niveau. Reportez-vous aux étapes 14 et 15.
- Sortez le panier inférieur à moitié. Assurez-vous qu'il ne sort pas complètement ou qu'il ne rentre pas dans le lave-vaisselle. Si tel est le cas, réglez les pieds de nivellement. Reportez-vous à l'étape 14.
- Vérifiez si la porte du lave-vaisselle est bien parallèle par rapport aux armoires. Si la porte frotte contre les armoires, repositionnez le lave-vaisselle. Reportez-vous à l'étape 15.
- Assurez-vous que les ressorts de la porte n'entrent pas en contact avec la conduite d'alimentation, le boyau de remplissage, le câblage électrique ou toute autre pièce de l'appareil. Reportez-vous à l'étape 16.
- Assurez-vous que la conduite d'alimentation en eau et le boyau de vidange ne sont pas pliés ou n'entrent pas en contact avec d'autres pièces. Tout contact avec le moteur ou le cadre du lave-vaisselle pourrait provoquer l'apparition de bruits.
- Ouvrez le robinet d'eau chaude de l'évier et vérifiez si la température de l'eau varie entre 49 °C (120 °F) et 65 °C (150 °F). La température de l'eau doit être d'au moins 49 °C (120 °F) pour assurer une efficacité de lavage optimale. Reportez-vous à la section «Préparation de l'alimentation en eau chaude» à la page 5.
- Versez deux litres d'eau dans le fond du lave-vaisselle pour lubrifier le joint de la pompe.
- Ouvrez l'alimentation en eau chaude. Vérifiez s'il y a des fuites. Serrez les raccords au besoin.
- Enlevez la pellicule protectrice, s'il y a lieu, sur le tableau de commande et la porte.

Installation du lave-vaisselle

ÉTAPE 20 : ESSAI DU LAVE-VAISSELLE AVEC DE L'EAU

- Rétablissez l'alimentation électrique ou si l'appareil est doté d'un cordon d'alimentation, branchez-le dans la prise de courant murale
- Verrouillez la porte du lave-vaisselle
- Appuyez sur la touche **Rinse Only** (Rinçage)
- Appuyez une fois sur la touche **Start/Reset** (Mise en marche/réinitialisation). Le lave-vaisselle devrait se mettre en marche.
- Assurez-vous que le lave-vaisselle se remplit. Si le lave-vaisselle ne se remplit pas d'eau, vérifiez si le robinet de la conduite est ouvert et si le lave-vaisselle est sous tension
- Vérifiez s'il y a des fuites sous le lave-vaisselle. Si tel est le cas, coupez l'alimentation électrique en déclenchant le disjoncteur, serrez les raccords, puis rétablissez le courant
- Vérifiez s'il y a des fuites autour de la porte. Ces fuites peuvent être causées par le frottement de la porte du lave-vaisselle contre les armoires adjacentes. Repositionnez le lave-vaisselle au besoin. Reportez-vous à l'étape 15.
- Le lave-vaisselle se vidange environ cinq minutes après sa mise en marche. Vérifiez le boyau de vidange. S'il présente des fuites, coupez l'alimentation électrique en déclenchant le disjoncteur et corrigez le problème de plomberie, au besoin. Rétablissez le courant après avoir colmaté la fuite. Reportez-vous aux étapes 7 et 17
- Ouvrez la porte du lave-vaisselle et assurez-vous que la majeure partie de l'eau a été vidangée. Si l'appareil ne s'est pas vidé, assurez-vous que le bouchon de vidange du broyeur à déchets a été enlevé et/ou que la coupure anti-refoulement est exempte de débris. Vérifiez également le boyau de vidange pour vous assurer qu'il n'est pas coincé en dessous ou à l'arrière du lave-vaisselle. Reportez-vous à l'étape 17.
- Appuyez encore une fois sur la touche **Start/Reset** et réglez un autre programme de rinçage seulement (RINSE ONLY) sur le lave-vaisselle. Vérifiez s'il y a des fuites et corriger tout problème, au besoin.

ÉTAPE 21 : RÉINSTALLATION DU PANNEAU INFÉRIEUR

- Appuyez le panneau inférieur contre les pieds de nivellement du lave-vaisselle

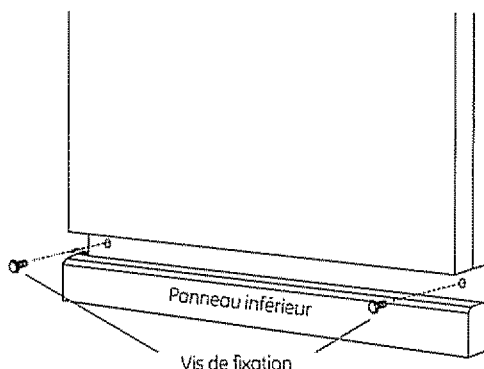


Figure CC

- Aligned le panneau inférieur par rapport au bas de la porte et assurez-vous qu'il repose sur le plancher.
- Insérez et serrez les deux vis de fixation du panneau inférieur. Le panneau inférieur doit demeurer en contact avec le plancher.

Conseil : Pour atténuer le bruit provenant du dessous du lave-vaisselle.

Assurez-vous que le panneau inférieur repose sur le plancher.

ÉTAPE 22 : DOCUMENTATION

- Laissez le Manuel d'utilisation, les directives d'installation, les échantillons et/ou les bons au consommateur.

Notes

Notes

LES SPÉCIFICATIONS PEUVENT ÊTRE MODIFIÉES SANS PRÉAVIS



GE Consumer & Industrial
General Electric Company
Louisville, Kentucky 40225
www.electromenagersge.ca

© 2009 General Electric Company