



ACTUAL DIMENSIONS

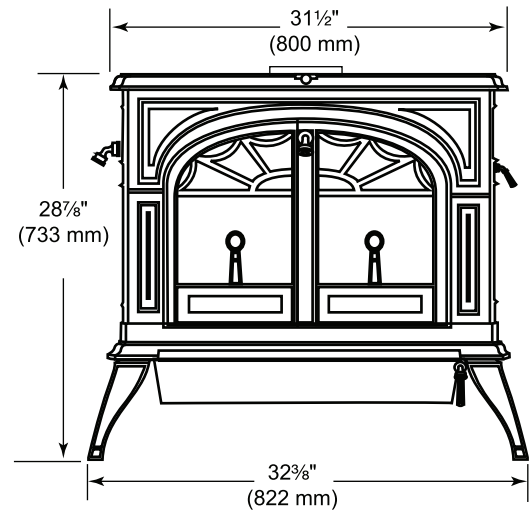
Unit Depth: 19"
Unit Height: 28-7/8"
Unit Width: 32-3/8"

TECHNICAL INFORMATION

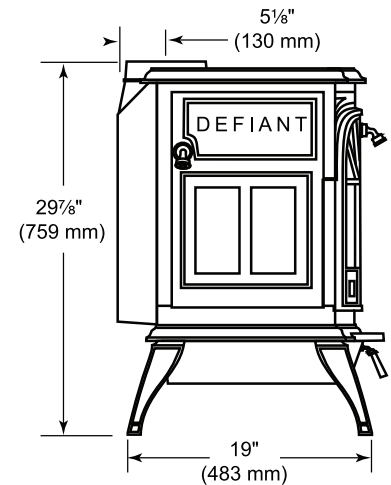
Log Length: up to 24"
Burn Time: up to 12 hours
Heating Capacity: up to 2,400 sq. ft.
Maximum Heat Output: 60,000 BTUs/hr.
Efficiency Rating: 69%
EPA Emissions Rating: 0.75 grams/hr.
Weight: 490lbs
Flue Collar: 8" oval, reversible
Firebox Size: 3.1 cubic feet
Clearances (with optional collar and pipe heat shields and 8" chimney)
Back: 17" (measured to back of stove top)
Corner: 25"

FIELD INSTALLED ACCESSORIES

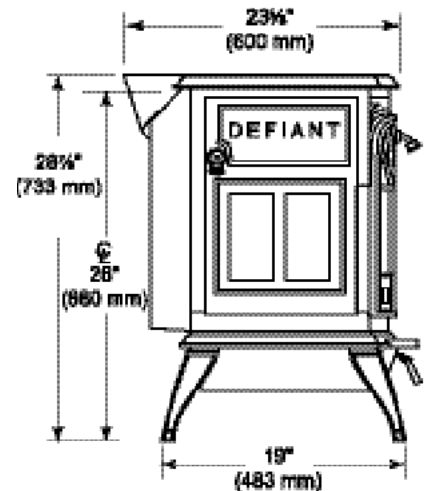
Custom sparkscreen for open door fire viewing
Oval to 6" and 8" round adaptors available
Choice of Classic Black or four enamel colors: Bordeaux, Biscuit, Majolica Brown and Ebony Black
Matching enamel pipe in four standard colors
Clearance reducing rear heat shield
Handy warming shelves with mitten racks
Heat activated fan



Top Vent
Collar position



Rear Vent
Collar position



A Brand of Monessen Hearth Systems Co.
149 Cleveland Drive, Paris, Kentucky 40361
www.vermontcastings.com

To avoid personal injury or property damage, the product described by this brochure must be installed, operated and maintained in strict compliance with the instructions packaged with the product and all applicable building or fire codes. Contact local building or fire officials about restrictions and installation inspection requirements. All photographs and drawings on this brochure are for illustrative purposes only and are not intended for, nor should they be used as a substitute for the instructions packaged with the unit. Appearance and specifications of the product are subject to change without notice. © 2010 Monessen Hearth Systems Co.