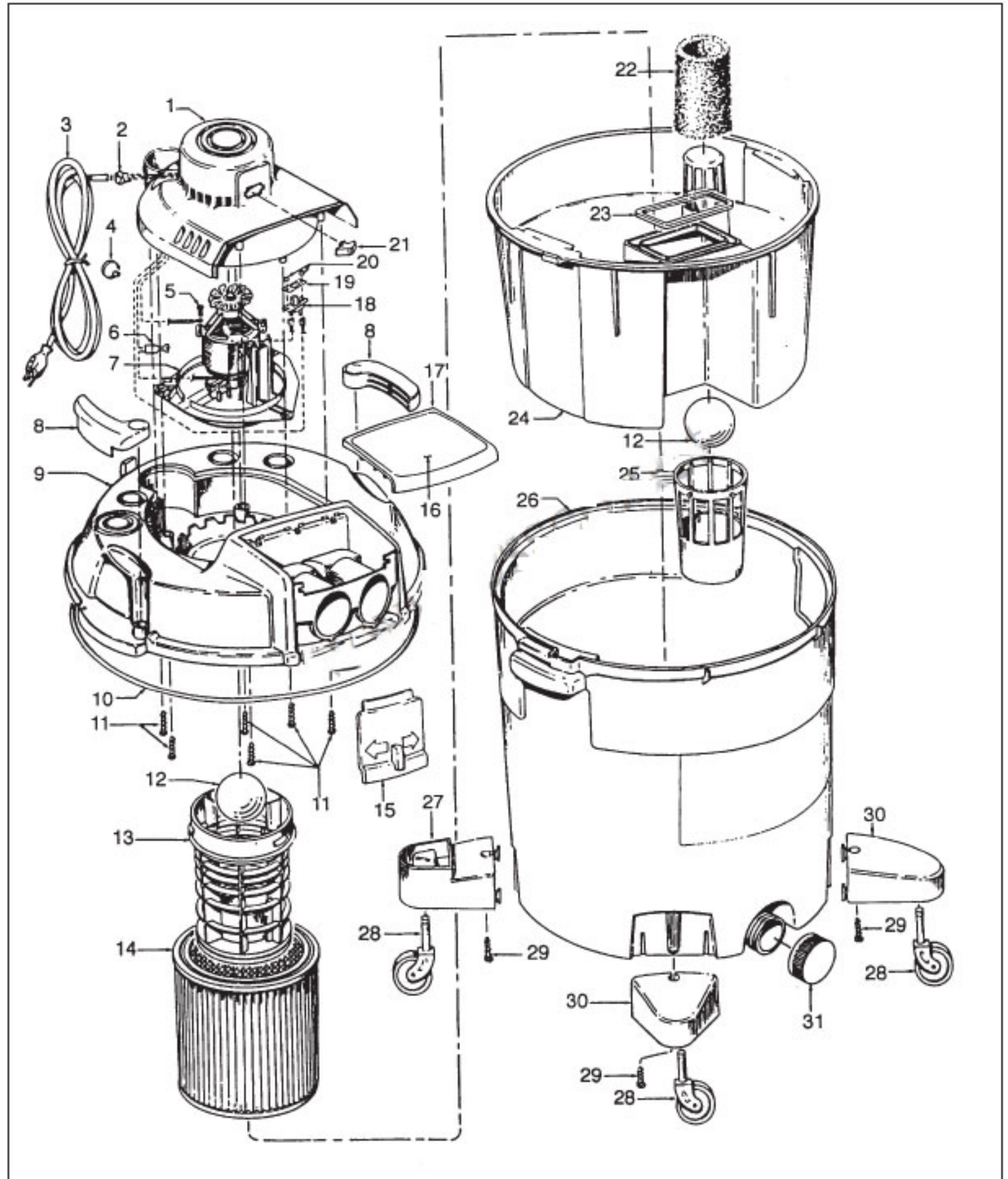


HOOVER Original

WET/DRY VACUUM

Models S6631, S6635, S6641



Original

HOOVER

WET/DRY VACUUM
Models S6631, S6635, S6641

KEY	PART NO.	DESCRIPTION
1	H-37232015	Motor Cover
2	H-27482145	Straln Relief Bushing
3	H-46543006	Attachment Cord - 6 Ft.
4	H-27479307	Lead Wire Tie
5	H-1105586	Screw • Self Tapping
6	H-12227	Insulated Terminal
7	H-43573003	Motor Ass'y Comp. - 2 PHP
8	H-36153051	Tank Latch (2)
9	H-42232020	Lid (Incl. Items 8, 16, 17)
10	H-38781035	Seal (O-Ring)
	H-34123046	Seal - Flat
11	H-21447072	Screw, Self Tapping (6)
12	H-25661015	Ball Float (2)
13	H-36426026	Filter Support
14	H-43611007	Cartridge Filter
15	H-37238005	Valve Door
16	H-51689036	Valve Cover Label

KEY	PART NO.	DESCRIPTION
17	N/A	Valve Cover
18	H-28177028	Switch
19	H-34127004	Switch Insulator
20	H-21364107	Speed Nut (2)
21	H-38421004	Switch Button
22	H-38765008	Inner Tank Filter
23	H-38783002	Inner Tank Gasket
24	H-43641015	Inner Tank (Incl. Items 22, 23)
25	H-38719026	Float Retainer
26	H-38777014	Cleaner Tank - 12.5 Gal. - S6631
26	H-38777016	Cleaner Tank - 16 Gal. - S6635
26	H-38777010	Cleaner Tank - 16 Gal. - S6641
27	H-36432046	Caster Support - Deluxe (2)
28	H-23737112	Caster Wheel (4)
29	H-21447215	Screw - Self Tapping (4)
30	H-36432042	Caster Support - Standard (2)
31	H-37911008	Drain Cap & Seal

WET/DRY VACUUM CLEANING TOOLS
Models S6631, S6635, S6641

KEY	PART NO.	DESCRIPTION
1	H-38634077	Extension Tube (2)
2	H-38617024	Crevice Tool - AG
2	H-38617008	Crevice Tool - AG - 2-1 /2"
3	H-38614029	Furniture Nozzle-AG
4	H-43414145	Dusting Brush
5	H-38615008	Nozzle - 10"
6	H-39512006	Squeege (For 10" Nozzle)
7	H-39454059	Hand Grip
8	N/A	Hose
9	H-38638047	Hose Connector
10	H-43434030	Hose Ass'y
11	H-43611007	Cartridge Filter (Optional)
12	H-38638032	Extension Tube - 2-1 /2"
13	H-38619016	Blower Nozzle-2-1/2"
14	H-38614027	Utility Nozzle - 2-1/2"
15	H-43434004	Hose Ass'y-2-1/2"

Note: Accessories are all 1-1/4" Dia. unless otherwise specified.

