



DIMENSIONS

Height: 28"

Width: 31"

Depth: 18-1/4"

TECHNICAL INFORMATION

BTU Input High: 38,000 NG/36,000 LP

BTU Input Low: 25,000 NG/LP

Steady State Efficiency Rating: 77%

EnerGuide Efficiency Ratings: 66%

Weight: 350lbs / Shp. 375lbs

Warming Shelf: Each 7"W (front) x 14"L (side)

Clearances: Back: 4" Sides: 6"

CSA Design Certified

FIELD INSTALLED ACCESSORIES

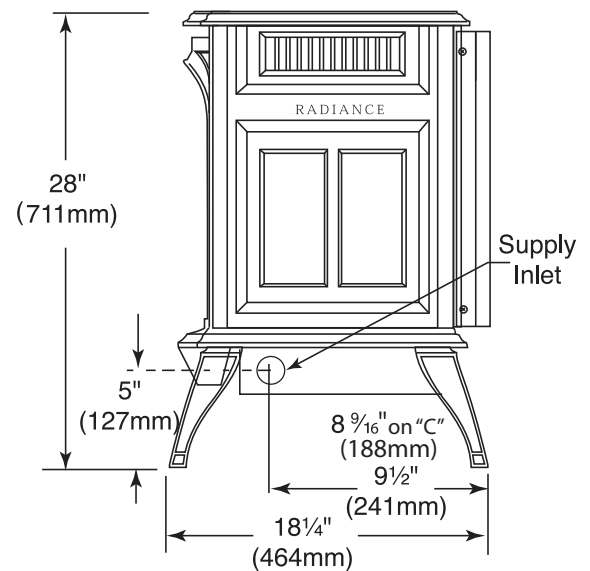
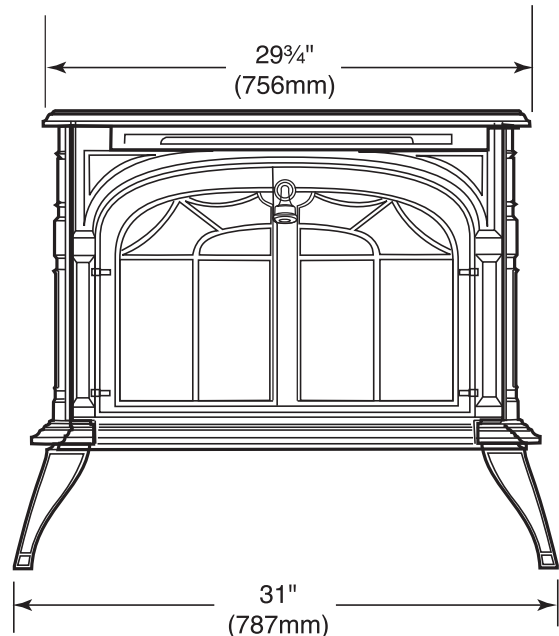
Vermont Castings SIT Total System Control System available complete with hand-held remote and fan system with RADVTC models

Ambient Technologies™ Remote Controls and Thermostats (for Standard models)

Warming Shelves

Variable speed, heat-activated fan kit for standard models

Available in: Classic Black or four enamel colors: Bordeaux, Biscuit, Majolica Brown and Ebony Black



A Brand of Monessen Hearth Systems Co.
149 Cleveland Drive, Paris, Kentucky 40361
www.vermontcastings.com

To avoid personal injury or property damage, the product described by this brochure must be installed, operated and maintained in strict compliance with the instructions packaged with the product and all applicable building or fire codes. Contact local building or fire officials about restrictions and installation inspection requirements. All photographs and drawings on this brochure are for illustrative purposes only and are not intended for, nor should they be used as a substitute for the instructions packaged with the unit. Appearance and specifications of the product are subject to change without notice. © 2010 Monessen Hearth Systems Co.