



DIMENSIONS

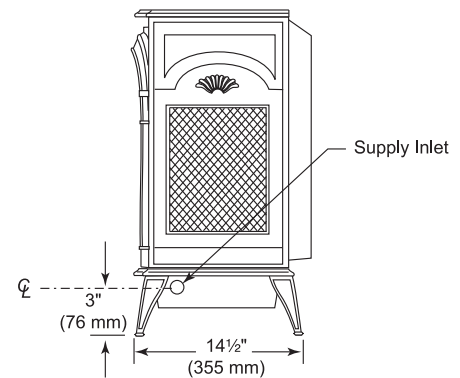
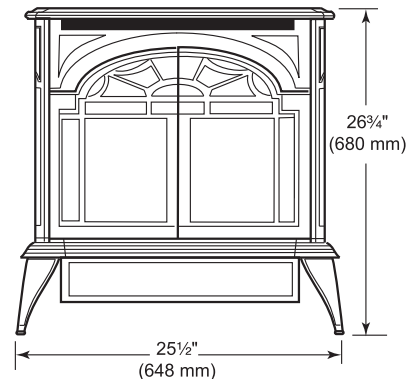
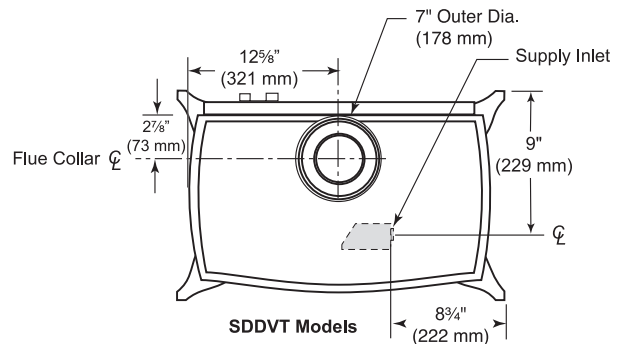
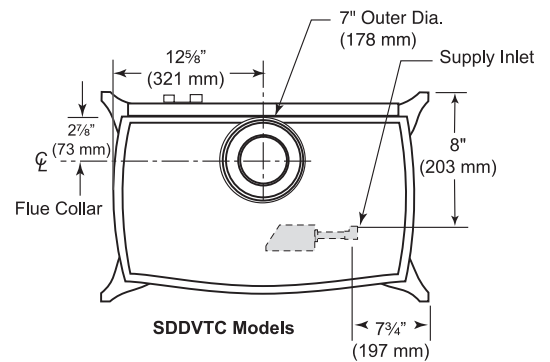
Height: 26-3/4"
Width: 25-1/2"
Depth: 14-1/2"

TECHNICAL INFORMATION

BTU Input High: 28,000
BTU Input Low: 20,000
Steady State Efficiency Rating: 81%
EnerGuide Efficiency Ratings: 66%
Weight: 200lbs
Warming Shelf: Each 7" W (front) x 12 1/2" L (side)
Clearances: Back: 4" Sides: 4"
CSA Design Certified

FIELD INSTALLED ACCESSORIES

Vermont Castings SIT Total System Control available complete with hand-held remote and fan system on SDDVTC models
Variable speed, heat-activated fan kit for standard models
Ambient Technologies™ Remote Controls and Thermostats (for Standard Models)
Warming Shelves
Screen front for use with operable front doors
Available in: Classic Black or four enamel colors: Bordeaux, Biscuit, Chestnut Brown and Ebony Black



A Brand of Monessen Hearth Systems Co.
149 Cleveland Drive, Paris, Kentucky 40361
www.vermontcastings.com

To avoid personal injury or property damage, the product described by this brochure must be installed, operated and maintained in strict compliance with the instructions packaged with the product and all applicable building or fire codes. Contact local building or fire officials about restrictions and installation inspection requirements. All photographs and drawings on this brochure are for illustrative purposes only and are not intended for, nor should they be used as a substitute for the instructions packaged with the unit. Appearance and specifications of the product are subject to change without notice. © 2010 Monessen Hearth Systems Co.