

## INSTALLER / CONSUMER SAFETY INFORMATION

Please read this manual before installing and using appliance.

**WARNING:** If the information in this manual is not followed exactly, a fire or explosion may result causing property damage, personal injury or loss of life.

— Do not store or use gasoline or other flammable vapors and liquids in the vicinity of this or any other appliance.

### — WHAT TO DO IF YOU SMELL GAS

- Do not try to light any appliance.
- Do not touch any electrical switch; do not use any phone in your building.
- Immediately call your gas supplier from a neighbor's phone. Follow the gas supplier's instructions.
- If you cannot reach your gas supplier, call the fire department.

Installation and service must be performed by a qualified installer, service agency or the gas supplier.

This appliance may be installed in an after market permanently located manufactured (mobile) home where not prohibited by local codes.

This appliance is only for use with the type of gas indicated on the rating plate.

This appliance is not convertible for use with other gases unless a certified kit is used.

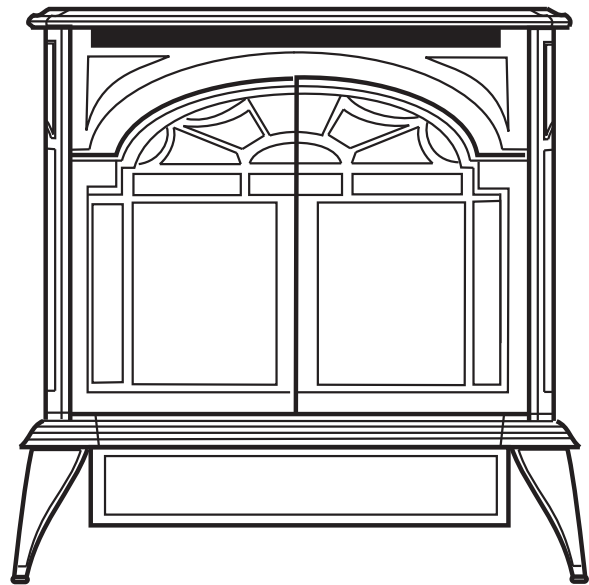
\*Aftermarket: Completion of sale, not for purpose of resale, from the manufacturer.

**This is an unvented gas-fired heater. It uses air (Oxygen) from the room in which it is installed. Provisions for adequate combustion and ventilation air must be provided. Refer to Page 7.**



# Stardance<sup>®</sup> Vent Free Gas Heaters

Models: 0004050, 0004051



## Homeowner's Installation and Operating Manual



**INSTALLER:** Leave this manual with the appliance.  
**CONSUMER:** Retain this manual for future reference.

# Table of Contents

**PLEASE READ THE INSTALLATION & OPERATING INSTRUCTIONS BEFORE USING APPLIANCE.**

**Thank you and congratulations on your purchase of a Vermont Castings stove.**

**IMPORTANT: Read all instructions and warnings carefully before starting installation. Failure to follow these instructions may result in a possible fire hazard and will void the warranty.**

**Installation and Operating Instructions**

- Important Safety Information ..... 3
- Stove Dimensions ..... 4
- Clearance Requirements ..... 5
- Hearth Requirements ..... 5
- Gas Specifications ..... 6
- Gas Inlet and Manifold Pressures ..... 6
- High Elevations ..... 6
- Odor During Operation ..... 6
- Vent Free Features ..... 7
- Fresh Air Requirements ..... 7

**Assembly Procedures**

- Unpack the Firebox ..... 8
- Install Optional Fan Kit ..... 8
- Install ON/OFF Switch ..... 9
- Thermostat Connections ..... 9
- Glass & Catalyst Installation ..... 9
- Connect the Gas Supply Line ..... 11
- Install Log Set ..... 11
- Complete the Installation ..... 12

**Operation**

- Your First Fire ..... 14
- Pilot and Burner Inspection ..... 14
- Flame & Temperature Adjustment ..... 14
- Flame Characteristics ..... 14
- Lighting Instructions ..... 15
- Troubleshooting ..... 16

**Maintenance**

- Firebox Cleaning and Inspection ..... 18
- Cleaning Procedure ..... 18
- Glass Replacement ..... 18
- Care of Cast Iron ..... 18
- Catalytic Combustor ..... 19

**Replacement Parts**

- ..... 20

**Optional Accessories**

- Fan Kits 24
- Glass / Catalyst Kit ..... 22
- Remote Controls ..... 22
- Warming Shelf ..... 22

- Warranty** ..... 23

**Proposition 65 Warning:** Fuels used in gas, woodburning or oil fired appliances, and the products of combustion of such fuels, contain chemicals known to the State of California to cause cancer, birth defects and other reproductive harm.  
California Health & Safety Code Sec. 25249.6

# Installation & Operating Instructions

In order to ensure safe and effective installation, this unit must be installed only by a qualified agency, individual, firm, corporation or company that is experienced in the installation, repair and servicing of this type of appliance and is familiar with the building codes and installation techniques appropriate in your area. Contact your hearth products dealer or local gas supplier for the name of a qualified service person.

In the Commonwealth of Massachusetts, all gas fittings and installation of this heater shall only be done by a licensed gas fitter or licensed plumber.

**IMPORTANT: Read this owner's manual carefully and completely before trying to assemble, operate, or service this heater. Improper use of this heater can cause serious injury or death from burns, fire, explosion, electrical shock, and carbon monoxide poisoning. Failure to follow instructions may result in property damage, bodily injury or loss of life. This manual contains important user information. Keep this manual with the heater after installation is complete.**

**FOR SAFE INSTALLATION AND OPERATION, PLEASE NOTE THE FOLLOWING:**

1. Use only Natural Gas with model 4050. Use only Propane with model 4051. Do not use any other fuels.
2. Install only in accordance with the National Fuel Gas Code, ANSI Z223.1/NFPA 54-latest edition. (Exception: Do not derate this appliance for altitude. This appliance has been tested and listed for use in altitudes up to 10,000 feet.)
3. Use only the installation instructions provided by the manufacturer for this appliance. Installation and repair should be done by a qualified installer, preferably NFI or WETT (Canada) certified. The appliance should be inspected before use and at least annually by a professional service person. More frequent cleaning may be required due to excessive lint from carpeting, bedding material, etc. It is imperative that control compartments, burners and circulating air passageways of the appliance be kept clean.
4. **WARNING:** Any change to this heater or its controls can be dangerous. **DO NOT** make modifications to any heater or associated parts.
5. **DO NOT** install this heater in a bedroom or bathroom.
6. Due to high surface temperatures, **DO NOT** install this heater
  - in a recreational vehicle,
  - where curtains, furniture, clothing or other flammable objects are less than 36 inches from the front, top or sides of the heater,
  - in high traffic areas,
  - in windy or drafty areas.
7. **DO NOT** place clothing or other flammable material on or near the appliance.

## CARBON MONOXIDE POISONING MAY LEAD TO DEATH!

**Carbon Monoxide Poisoning:** Early signs of carbon monoxide poisoning resemble the flu, with headaches, dizziness, or nausea. If you have these signs, the heater may not be working properly. Get fresh air at once! Have the heater serviced. Some people are more affected by carbon monoxide than others. These include pregnant women, people with heart or lung disease or anemia, those under the influence of alcohol, and those at high altitudes.

8. **DO NOT** obstruct the top grille at all. Doing so will cause high levels of carbon monoxide that will lead to death.
9. This heater needs fresh, outside air ventilation to operate properly. Refer to Fresh Air Requirements on Page 7.
10. This heater shall not be installed in a room or space unless the required volume of indoor combustion air is provided by the method described in the National Fuel Gas Code, ANSI Z223.1/NFPA 54, the International Fuel Gas Code or applicable local codes.
10. If heater shuts off, heater may not have enough fresh air ventilation. Provide more fresh air. If heater keeps shutting off, refer to Troubleshooting.
11. **DO NOT** operate this heater
  - where flammable liquids or vapors are used or stored
  - under dusty conditions.
12. The heater becomes very hot when operating. Alert children and adults to stay away from hot surfaces to avoid burns or clothing ignition. The heater will remain hot for a time after shutdown. Allow surface to cool before touching.
13. Carefully supervise young children when they are in the room with the heater.
14. Do not use the heater if any part has been exposed to or under water. Immediately call a qualified service technician to inspect the room heater and to replace any part of the control system and any gas control which has been under water.
15. **DO NOT** operate the heater if any log is broken or damaged.
16. Turn heater off and let cool before servicing. Only a qualified service person should service and repair heater.
17. **DO NOT** operate this appliance with the safety screen removed. If the safety screen is removed from the appliance for service or cleaning, it must be replaced before operating the heater.

**NOTE:** If any of the original wire as supplied with the appliance must be replaced, it must be replaced with a wire of at least 105°F temperature rating.

## Shell Dimensions

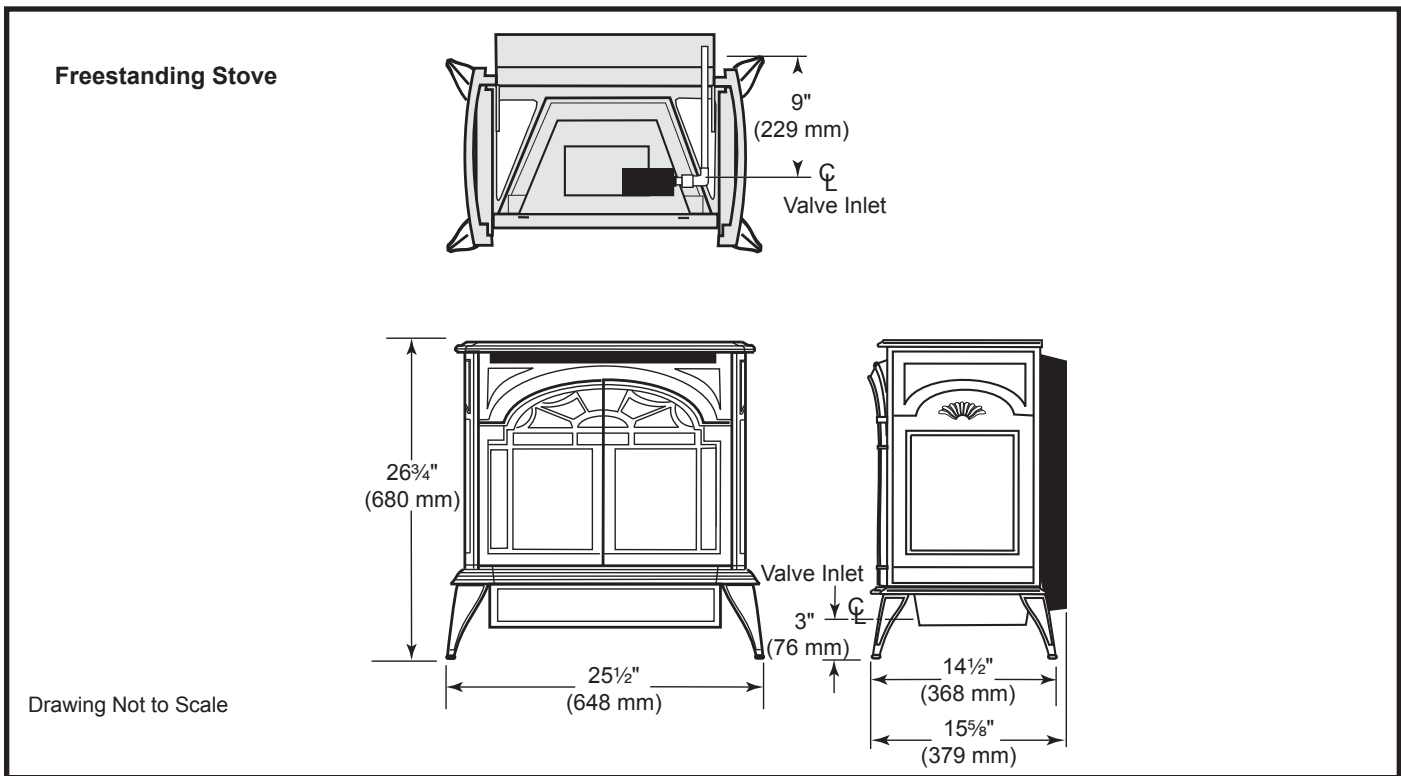
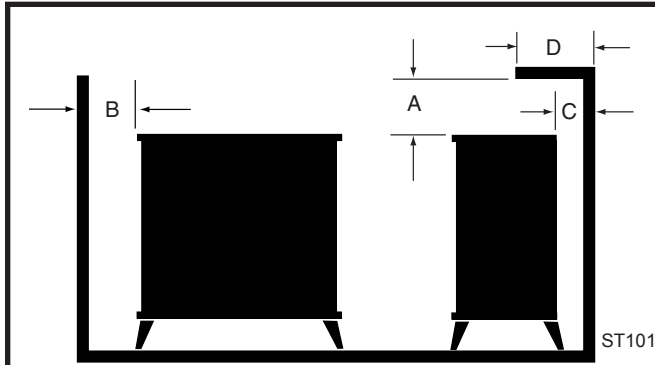


Fig. 1 Stardance freestanding shell dimensions.

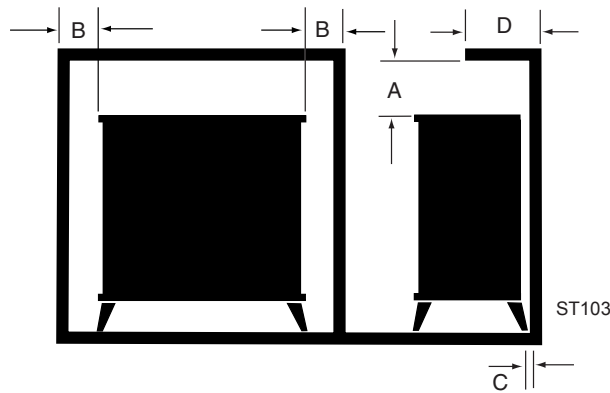
## Clearance Requirements

### Minimum Clearances to Combustible Materials

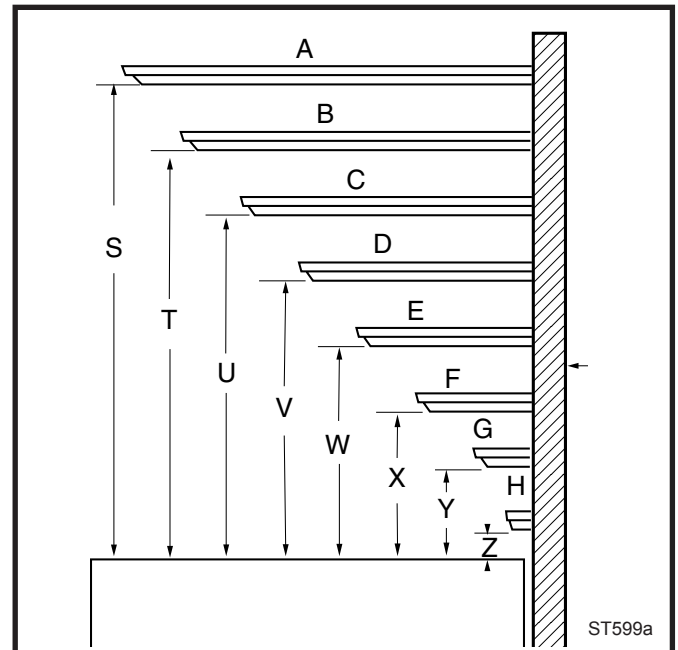
Maintain clearance, (empty space), between combustible materials and the heater as specified below for the appropriate firebox shell being installed.



#### Alcove Clearances



- A: Ceiling .....35" (889 mm)
- B: Side Wall .....2" (51 mm)
- C: Rear Wall .....0" (0 mm)
- D: Max. Alcove Depth .....13" (330 mm)



Ref.	Mantel Shelf Depth	Ref.	Mantel from Stove Top
A	13" (330mm)	S	35" (889 mm)
B	11¼" (286 mm)	T	30" (762 mm)
C	9¾" (241 mm)	U	25" (635 mm)
D	7½" (191 mm)	V	20" (508 mm)
E	5¾" (146 mm)	W	15" (381 mm)
F	4" (102 mm)	X	10" (254 mm)
G	2¼" (57 mm)	Y	5" (127 mm)
H	1" (25 mm)	Z	2" (51 mm)

### Hearth Requirements

The Stardancel must be installed on rigid flooring. If the appliance is installed on any combustible surface other than wood flooring, such as carpet or tile, a metal or wood panel must be installed to extend the full length and width of the unit.

### WARNING

- Do not install this heater in a bathroom or bedroom.
- Installation of this heater must conform with local codes or, in the absence of local codes, with the National Fuel Gas Code, ANSI Z223.1 / NFPA54.
- This heater creates warm air currents. These currents move heat to wall surfaces next to the heater. Installing the heater next to vinyl or cloth wall coverings or operating the heater where impurities in the air such as tobacco smoke exist, may discolor walls.
- Do not use a blower insert, heat exchanger insert or other accessory not approved for use with this heater.

Gas Specifications					
Model	Fuel	Gas Control	Max. Input BTU/h	Min. Input BTU/h	Air Shutter*
4050	Nat	Millivolt	28,000	19,500	Fully Closed
4051	Prop	Millivolt	28,000	19,500	n/a

\*Natural Gas units with Glass & Catalyst installed; air shutter is fully closed and rotated with bend outside of burner for less restriction. Propane units have no air shutter.

Firebox weight / shipping 110 lbs.

Gas Inlet and Manifold Pressures		
	Natural	LP (Propane)
Inlet Minimum	5.5" w.c.	11" w.c.
Inlet Maximum	14" w.c.	14" w.c.
Manifold Pressure	3.5" w.c.	10" w.c. (MP)
		11" w.c. (RP)

**Stardance Vent-Free  
Certified to:  
ANSI Z21.11.2, Latest Edition  
Unvented Heaters**

The installation of your Vermont Castings stove must conform with local codes, or in the absence of local codes, with the National Fuel Gas Code ANSI Z223.1/NFPA 54 - latest edition. (EXCEPTION: Do not derate this appliance for altitude up to 4,500 feet (1,370m). Maintain the manifold pressure at 3.5" w.c. for Natural Gas and 11.0" w.c. for LP Gas.

**WARNING:**  
Failure to keep the primary air opening(s) of the burner(s) clean may result in sooting and property damage.

**High Elevations**

Input ratings are shown in Btu per hour and are certified without deration from elevations up to 4,500 feet (1,370 m) above sea level.

Nuisance outages may occur at altitudes above 4,500 feet (1,370 m) if dirt, dust, lint and/or cobwebs are allowed to accumulate on burner and/or ODS pilot. Monthly inspection and cleaning is recommended for altitudes above 4,500 feet (1,370 m)

For elevations above 4,500 feet (1,370 m), installations must be in accordance with the current ANSI Z223.1/NFPA 54 and/or local codes having jurisdiction.

**WARNING: Improper installation, adjustment, alteration, service or maintenance can cause injury or property damage. Refer to this manual for correct installation and operational procedures. For assistance or additional information consult a qualified installer, service agency, or the gas supplier.**

**Odor During Operation**

Neither natural gas nor propane gas give off an odor when burned. The nature of a vent free combustion system, however, is such that odors may occasionally be produced during heater operation when impurities exist in the immediate area. Cleaning solutions, paint, solvents, cigarette smoke, candles, adhesives, new carpet or textiles, etc., all can create fumes. These fumes may mix with combustion air and can create odor. Such odors will disappear over time, however the condition can be alleviated by opening a window or otherwise providing additional ventilation to the area.

## Vent Free Features

The Stardance Vent Free gas stove is an unvented gas heating appliance tested and listed to the ANSI standard Z21.11.2, Latest Edition. This appliance is specifically configured to burn either Natural Gas or Propane fuel, as indicated on the metal rating plate attached to the rear shroud. The Stardance is not fuel convertible.

The stove is shipped fully assembled and ready for installation.

The stove is equipped with an SIT control valve that allows thermostatic control, on/off switch or a remote switch (not supplied).

Both models incorporate variable regulators that allow you to adjust burner heat output between HIGH, (28,000 Btu), and LOW, (19,500 Btu). See the Operation Section for details.

The standing pilot incorporates an Oxygen Depletion System (ODS/pilot) designed to shut off the appliance if enough fresh air is not available.

## Fresh Air Requirements for Combustion and Ventilation

### WARNING

**This heater must have fresh air for proper operation. If not, poor fuel combustion could result. Read the following instructions to insure proper fresh air for this and other fuel-burning appliances in your home.**

Modern construction standards have resulted in homes that are highly energy-efficient and that allow little heat loss. Your home needs to breathe, however, and all fuel-burning appliances within it require fresh air in order to function properly and safely. Exhaust fans, clothes dryers, fireplaces, and other fuel burning appliances all use the air inside the building. If the available fresh air is insufficient to meet the demands of these appliances, problems can result.

The Stardance Unvented heater has specific fresh air requirements. **You must determine that these fresh air requirements will be met within the space where the appliance will be installed.** The following information will help you insure that adequate fresh air is available for the heater to function properly.

### WARNING

**If the area in which the heater may be operated does not meet the required volume for indoor combustion air, combustion and ventilation air shall be provided by one of the methods described in the *National Fuel Gas Code, ANSI Z223.1/NFPA 54*, the *International Fuel Gas Code* or applicable local codes.**

# Assembly Procedures

## Unpack the Stove

The Stardance is shipped fully assembled on its back. Unpack the stove and carefully set it upright.

### CAUTION

Porcelain enamelled surfaces are fragile. Handle porcelain enamelled castings tenderly. Familiarize yourself with the assembly steps before you begin and proceed with deliberation and care. If possible, have assistance available.

Place enamelled castings on a soft, cushioned surface until you are ready to assembly.

Avoid contact between the castings and other hard surfaces or objects.

## Install Optional Fan Kit

1. Remove shroud assembly by loosening two (2) hex head bolts on lower inside of shroud. Lift shroud assembly up and away from stove.
2. Attach the fan to the rear shroud by engaging the upper flange of the fan skirt under the lower edge of the shroud and secure the skirt with the four screws and one star washer provided. (Figs. 2 & 3)

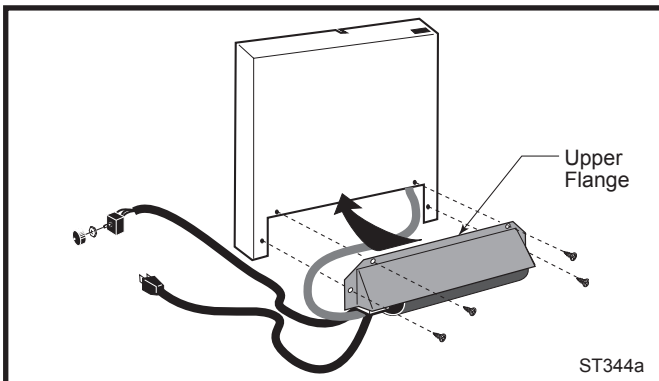


Fig. 2 Place upper flange behind lower edge of shroud.

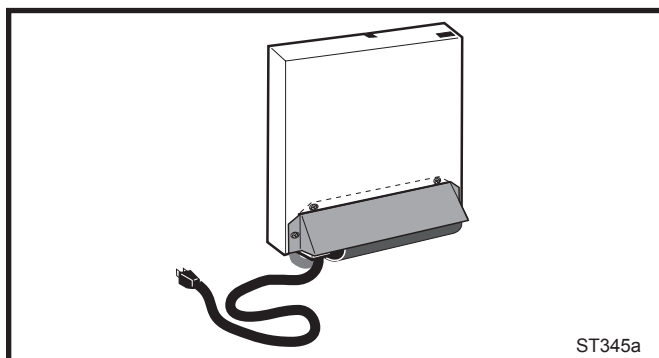


Fig. 3 Correct position of fan skirt installation.

3. Feed the snapstat wire lead up between the inner and outer rear shroud panels and secure the snapstat to the upper right side of the inner shroud. (Fig. 4)

4. Secure the snapstat wire harness to the shroud panel using the wire tie provided.
5. Replace shroud and tighten the two (2) hex head nuts on lower inside of shroud.
6. Route the rheostat control switch and wire forward under the stove. Use the wire tie to secure the fan and rheostat wire harnesses together to the tubing under the bottom heat shield.
7. Install the rheostat onto the bracket to the left of the valve. (Fig. 5)

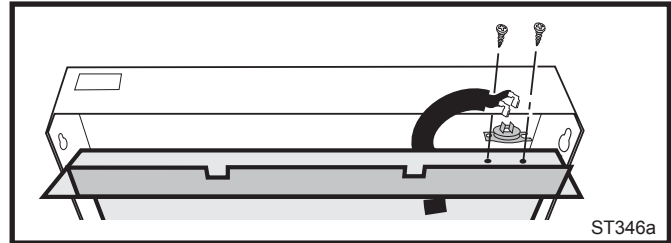


Fig. 4 Attach snapstat to inner shroud.

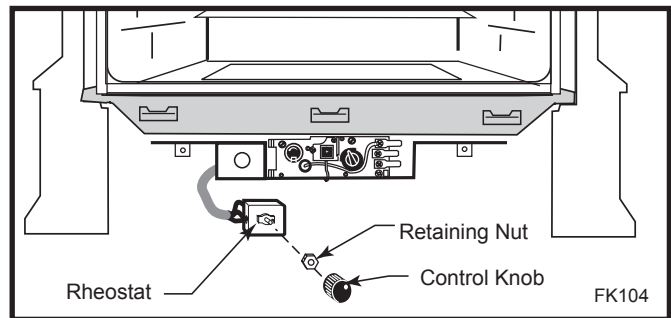


Fig. 5 Attach rheostat to bracket.

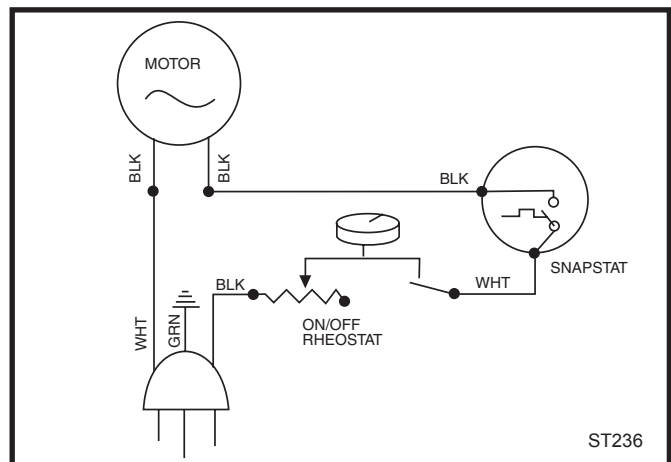


Fig. 6 Fan wiring diagram.

## WARNING

Failure to position the parts in accordance with these diagrams, or failure to use only parts specifically approved with this heater may result in property damage or personal injury.



## Install ON/OFF Switch

The switch assembly parts are found in the parts bag.

1. Attach switch assembly to left rear side of stove shroud using two screws and existing holes in shroud. (Fig. 7)
2. Run wires down back of stove, under bottom of rear shroud to valve.
3. Attach wires to valve terminals. (Fig. 8)

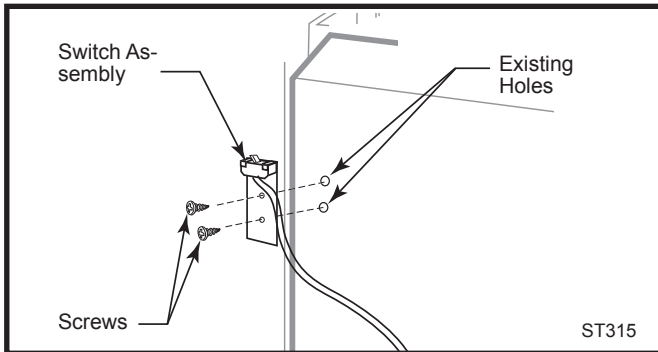


Fig. 7 Attach switch assembly to rear shroud.

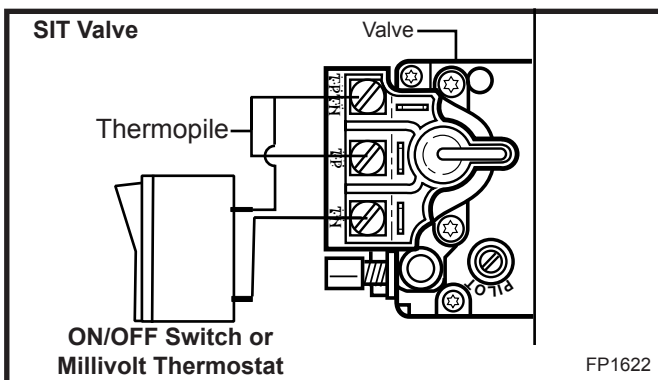


Fig. 8 Install wiring to switch before connecting to valve.

## Thermostat Connection (Optional)

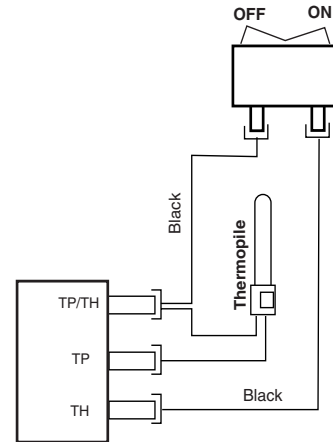
Use only a thermostat rated for 500 - 750 millivolts. Do not use low voltage (24V) thermostats.

Check the table below for the appropriate gauge thermostat wire to use for the length of lead required in your installation.

Thermostat Wire / Gauge	Maximum Run
18	40 feet
20	25 feet
22	16 feet

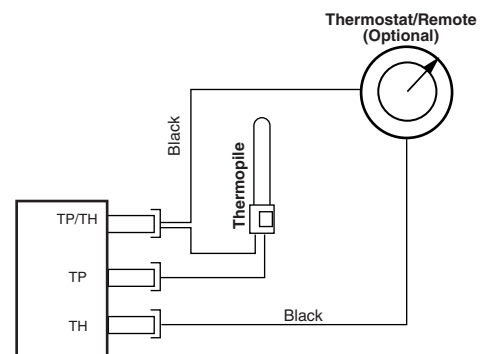
1. Install the wall thermostat in the desired location and run the wires to the stove location. Terminate these leads with 1/4" female connectors.
2. Connect the thermostat wires to the valve. (Fig. 9)

## On/Off Switch Wiring



ST124b

## Optional Thermostat/Remote Wiring



ST124c

Fig. 9 ON/OFF switch and optional Thermostat/Remote wiring.

## Glass & Catalyst Installation

**CAUTION: Air shutter on Natural Gas units must be adjusted when installing glass and catalyst for proper operation. LP units do not use an air shutter.**

1. Remove screen. (Fig. 10) Remove rear, left and right log bracket assembly by unfastening the two screws which hold the burner in place.

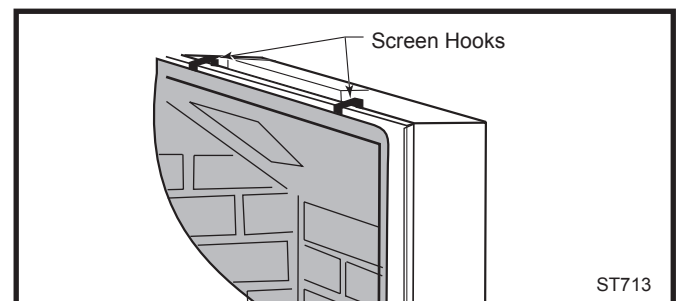


Fig. 10 Remove screen.

2. Hold the burner at the right hand side and lift to clear the right burner leg. Then pull to the right to clear the injectors on the left hand side.
3. Turn burner upside down and remove air shutter. Turn air shutter upside down and replace on burner. (Fig. 11)
4. Replace burner. Slide the burner in at an angle with left side lower than the right side. Slide the left side onto the injectors, making sure the burner leg remains at a 90° angle to the base. (Fig. 12) Lower the right hand side down in to place. Make sure the burner is as far left as possible and the injector shoulders are inside the burner.

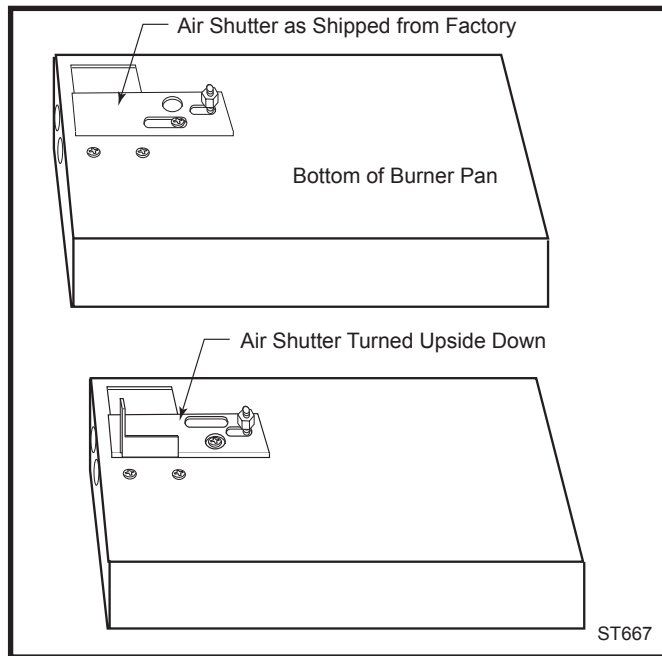


Fig. 11 Remove air shutter, turn upside down and replace.

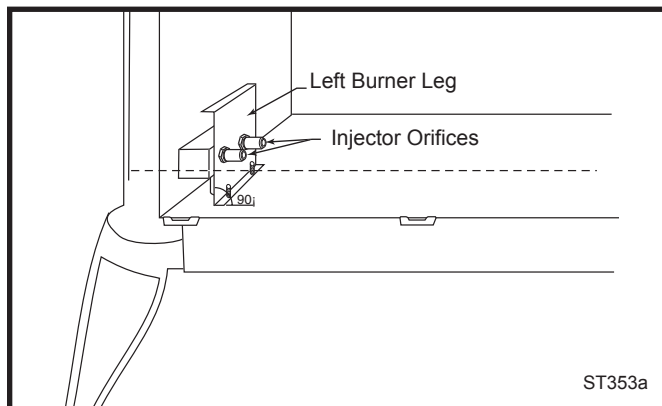
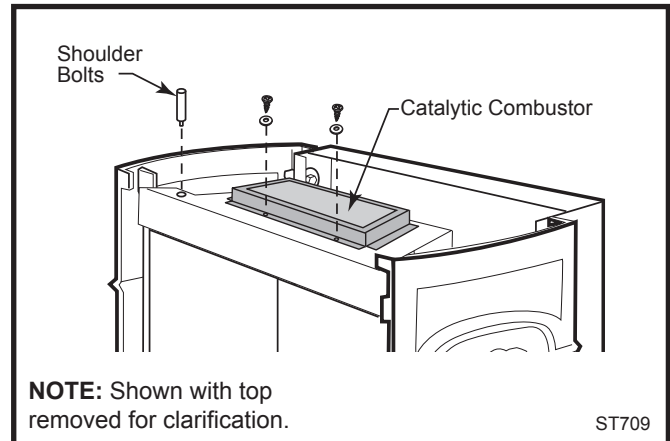


Fig. 12 Be sure injector orifices remain at 90° to the base.

5. Replace rear, left and right log bracket assembly and replace logs.

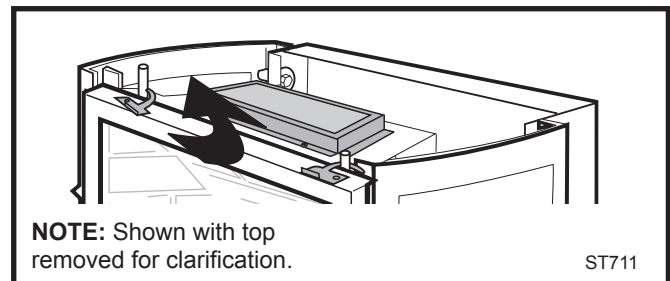
6. Slide the catalyst through the grille opening. Set catalyst on top of firebox. Secure with two (2) screws and washers. (Fig. 13)
7. Shoulder bolts provided in catalyst kit must be installed on top of firebox. Use nut to secure in place. (Fig. 13)
8. Install glass frame assembly by resting the bottom edge of the frame on support brackets below the front opening of the firebox. Rotate the top edge of the assembly toward the firebox, and center it. Fasten by “rotating” the cams over the top left and right edges of the frame. (Fig. 14)



NOTE: Shown with top removed for clarification.

ST709

Fig. 13 Install shoulder bolts and set catalytic combustor in place.



NOTE: Shown with top removed for clarification.

ST711

Fig. 14 Rotate cams into place to hold glass frame assembly in place.

## Connect the Gas Supply Line

Check the Rating Plate attached by a steel cable to the firebox, to confirm that you have the appropriate firebox for the type of fuel to be used.

The appliance should have a main gas valve provided in an accessible location for turning on or shutting off the gas to the main burner.

**This appliance should only be connected by a qualified gas technician. Test to confirm manifold pressures as specified below.**

**The Stardance and its individual shutoff valve must be disconnected from the gas supply piping during any pressure testing of that system at test pressures in excess of 1/2 psig (3.5 kPa).**

**The Stardance must be isolated from the gas supply piping system by closing its individual manual shutoff valve during any pressure testing of the gas supply piping system at test pressure equal to or less than 1/2 psig.**

**There must be a gas shutoff between the stove and the supply.**

**In order to connect Natural Gas, use a fitting with 3/8" NPT nipple on the valve side and 1/2" natural gas supply line with an input of 28,000 Btus at a manifold pressure of 3.5" and minimum inlet supply for adjustment of 5.5" w.c.**

**In order to connect Propane, use a fitting with 3/8" NPT nipple on the valve side and 1/2" propane gas supply line with an input of 28,000 Btus at a manifold pressure of 11.0" and minimum inlet supply for adjustment of 11.0" w.c.**

Gas connection should be made in accordance with current National Fuel Gas Code, ANSI Z223.1/NFPA 54. Since some municipalities have additional local codes, be sure to consult you local authority.

Connect the gas supply and test for leaks. Use a 50/50 solution of liquid soap and water to test for leaks at gas fittings and joints. **NEVER test with an open flame.** Light the pilot according to the directions on Page 16, before going to the next step.

## CAUTION



**This appliance should only be connected by a qualified gas technician. Test to confirm manifold pressures as specified below.**

**The Stardance and its individual shutoff valve must be disconnected from the gas supply piping during any pressure testing of that system at test pressures in excess of 1/2 psig (3.5 kPa).**

**The Stardance must be isolated from the gas supply piping system by closing its individual manual shutoff valve during any pressure testing of the gas supply piping system at test pressure equal to or less than 1/2 psig.**

**There must be a gas shutoff between the stove and the supply.**

**In order to connect Natural Gas, use a fitting with 1/2" NPT on the valve side and 1/2" natural gas supply line with an input of 28,000 BTUs at a manifold pressure of 3.5" between minimum inlet supply of 5.5" w.c. and maximum of 14.0" w.c.**

**In order to connect Propane, use a fitting with 1/2" NPT on the valve side and 1/2" propane gas supply line with an input of 28,000 BTUs at a manifold pressure of 11.0" between a minimum inlet supply of 11.0" w.c. and maximum of 14.0" w.c.**

## Install Log Set

### WARNING

**Failure to position the parts in accordance with this diagram or, failure to use only parts specifically approved with this heater, may result in property damage or personal injury. Do not alter the logs!**

**Loose material shall be installed per the instructions. Replacement of loose material must be purchased from the original room heater manufacturer and application of excess loose material may adversely affect performance of heater.**

**Warning: All previously applied loose material must be removed prior to reapplication.**

1. Remove the logs from their packaging, and inspect each piece for damage. **DO NOT INSTALL DAMAGED LOGS.**
2. Install the rear log by placing it on the sheet metal shelf at the back of the firebox. (Fig. 15) The log should touch the back wall of the firebox and be centered.

3. Install the right log by placing it on the sheet metal bracket behind the grate with the right end of the log, “the thicker end”, touching the grate and the right side the firebox. Swing the left end of the log “painted end”, backward until it comes in contact with the branch on the rear log. Set the log down over the bent tab on the right. When the log is in place it rests on the tab mentioned earlier and the tip of it comes in contact with the branch on the rear log. (Fig. 15)

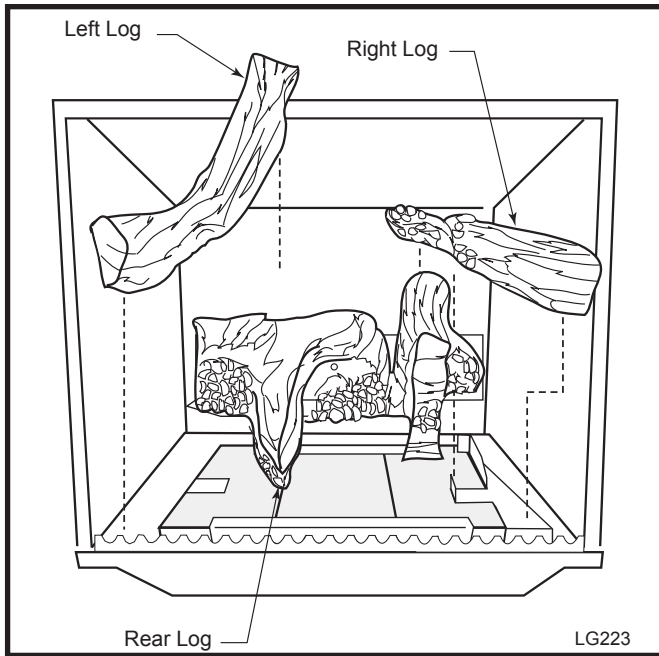


Fig. 15 Install rear, left and right logs.

4. Install the left log by placing it on the sheet metal bracket behind the grate with the left end of the log, “the thicker end” touching the grate and the left end of the firebox. Lay the log into the recessed area on the left branch of the rear log. When the log is in place, it will rest on the left branch of the rear log toward the left side of the branch.
5. Loosely sprinkle the lava rocks directly on top of the burner just behind decorative grate. (Fig. 16) Do not place lava rocks toward back of burner. The lava rock is shipped inside the bag assembly.

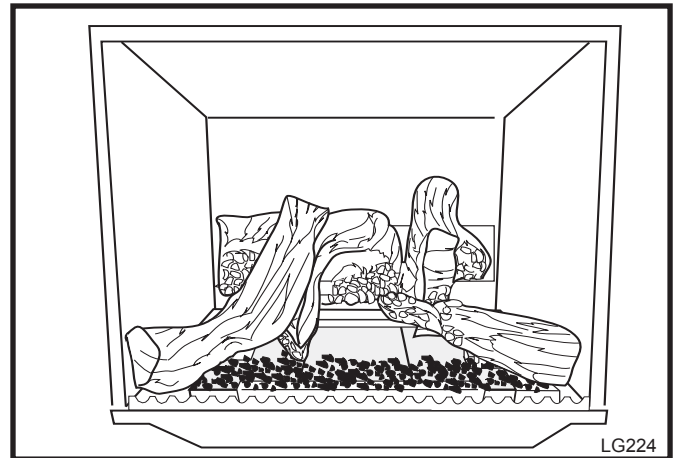
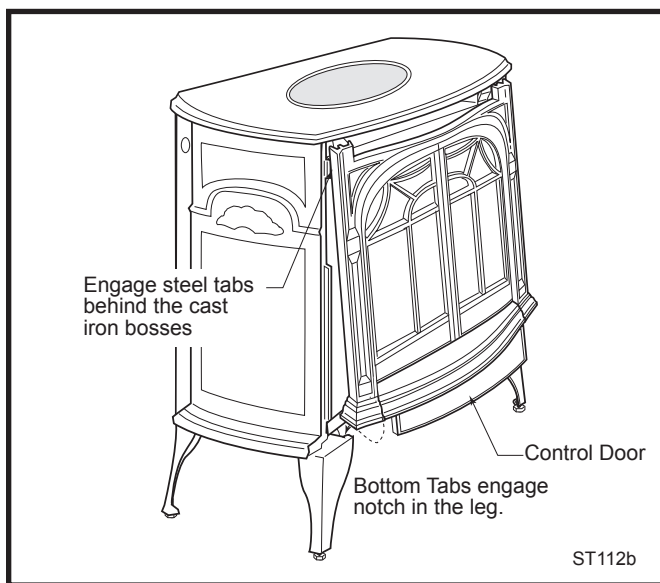


Fig. 16 Stardance logs in place.

## Complete the Installation

1. Install the screen frame by sliding the hooks over the top front edge of the firebox and resting the bottom on the support brackets. If the catalyst has been installed, place the glass front on the stove by resting the bottom edge of the frame on support brackets below the front opening of the firebox. Rotate the top edge of the assembly toward the firebox, and center it. Rotate the right and left cams towards the back of the firebox to secure glass frame in place.
2. Grasp the front plate by the window bars and lift into position engaging the two steel tabs behind the adjacent bosses in the side plates. (Fig. 17) Seat the front against the sides so the tabs at the bottom lip engage with the notches in the stove legs.



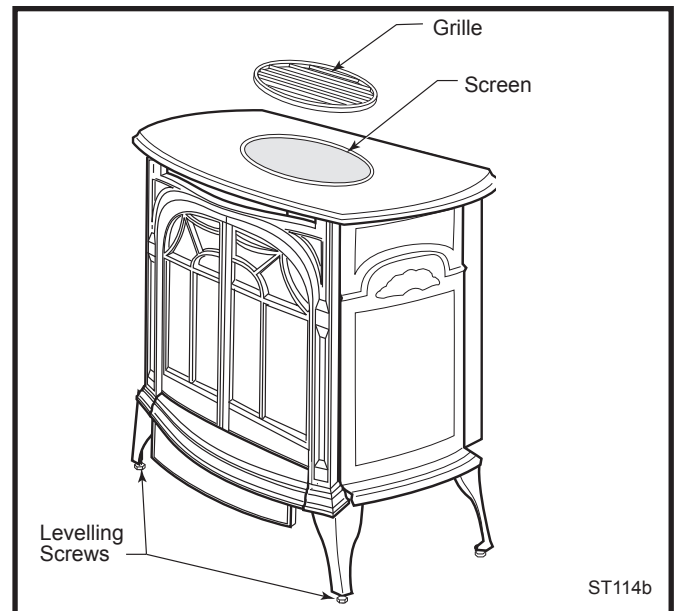
**Fig. 17** Install the Front Plate. Your Front may look different from that shown.

When properly installed, the bottom of the front plate cannot be pulled away from the sides without lifting it.

**NOTE:** Be sure the control door can swing out. It should close against the steel tab stop.

If installing the optional warming shelf, you may find it easiest to attach it to the top plate before placing the top in position on the stove. Follow the instructions supplied with the kit.

3. Lay the screen and top grille in place. (Fig. 18)  
This completes assembly of the Stardance.



**Fig. 18** Install the Top Plate and Grille.

# Operation

## Your First Fire

Read these instructions carefully and familiarize yourself with the burner controls shown on Page 16. Locate the pilot assembly, Figure 19. Follow the lighting instructions on Page 15 exactly.

During the first fire, it is not unusual to smell some odor associated with new logs, paint and metal being heated. Odors should dissipate within the first eight to ten hours, however, you can open a window to provide fresh air to alleviate the condition.

## Pilot and Burner Inspection

Each time you light your heater check that the pilot flame and burner flame patterns are as shown in Figures 21 and 22. If flame patterns are incorrect, turn the heater off. Contact your dealer or a qualified gas technician for assistance. Do not operate the heater until the pilot flame is correct.

Follow regular maintenance procedures as described on Page 18.

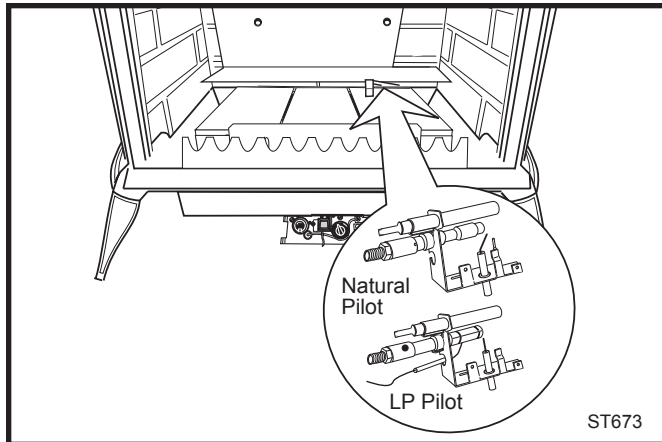


Fig. 19 Pilot assembly location.

## Flame & Temperature Adjustment

### RN/RP Models

For units equipped with 'HI/LO' valves the flame adjustment is accomplished by rotating the 'HI/LO' adjustment knob located near the center of the gas control valve. (Fig. 20)

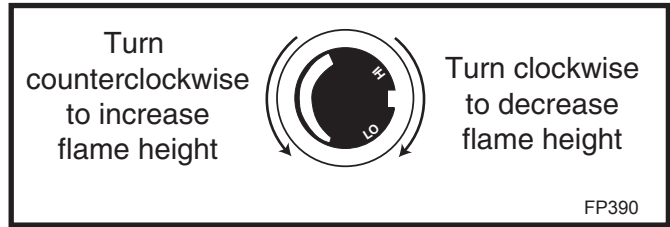


Fig. 20 Flame adjustment knob for SIT Valve.

## Flame Characteristics

It is important to periodically perform a visual check of the pilot and burner flames. Compare them to the pictorial illustrated below. (Figs. 21 & 22) If the flame patterns appear abnormal contact a qualified service provider for service and adjustment.

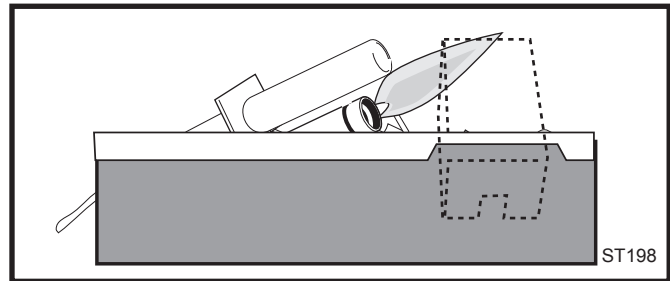


Fig. 21 Correct pilot flame appearance.

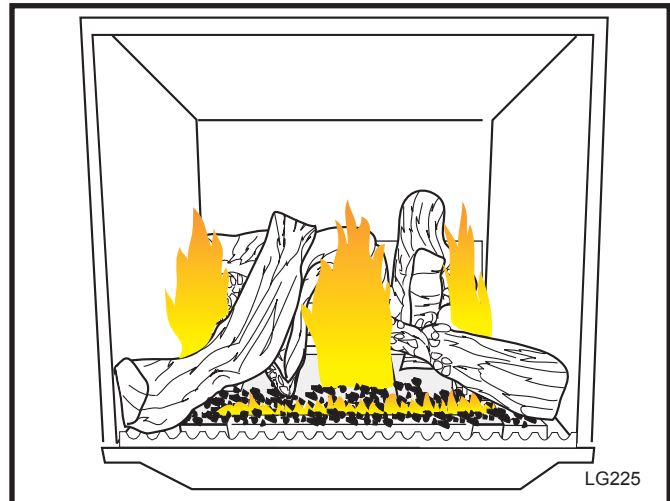


Fig. 22 Correct burner flame pattern.


# Lighting and Operating Instructions

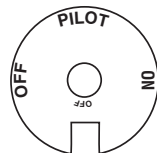
## FOR YOUR SAFETY READ BEFORE LIGHTING

**WARNING:** If you do not follow these instructions exactly, a fire or explosion may result causing property damage, personal injury or loss of life.


- A. This heater has a pilot which must be lit manually. When lighting the pilot follow these instructions exactly.
- B. BEFORE LIGHTING smell all around the heater area for gas. Be sure to smell next to the floor because some gas is heavier than air and will settle on the floor.
- WHAT TO DO IF YOU SMELL GAS**
- Do not try to light any fireplace
  - Do not touch any electric switch
  - Do not use any phone in your building
  - Immediately call your gas supplier from a neighbor's phone. Follow the gas supplier's instructions.
- If you cannot reach your gas supplier, call the Fire Department
- C. Use only your hand to push in or turn the gas control knob. Never use tools. If the knob will not push in or turn by hand, do not try to repair it, call a qualified service technician. Applying force or any attempted repair may result in a fire or explosion.
- D. Do not use this fireplace if any part has been under water. Immediately call a qualified service technician to inspect the heater and to replace any part of the control system and any gas control which has been under water.

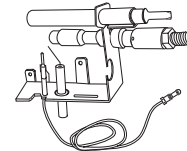
## Lighting Instructions

1. **STOP!** Read the safety information above.
2. Turn off all electrical power to the fireplace.
3. Turn the On/Off switch to "OFF" position or set thermostat to lowest level.
4. Open control access panel.
5. Push in gas control knob slightly and turn clockwise  to "OFF".
10. Push the control knob all the way in and hold. Immediately light the pilot by repeatedly depressing the piezo spark ignitor until a flame appears. Continue to hold the control knob in for about one (1) minute after the pilot is lit. Release knob and it will pop back up. Pilot should remain lit. If it goes out, repeat steps 5 through 8.




SIT NOVA

6. Wait five (5) minutes to clear out any gas. Then smell for gas, including near the floor. If you smell gas, STOP! Follow "B" in the safety information above. If you do not smell gas, go to the next step.
7. Remove glass door before lighting pilot. (See Glass Frame Removal section).
8. Visibly locate pilot by the main burner.
9. Turn knob on gas control counterclockwise  to "PILOT".



- If knob does not pop up when released, stop and immediately call your service technician or gas supplier.
  - If after several tries, the pilot will not stay lit, turn the gas control knob to "OFF" and call your service technician or gas supplier.
11. Replace glass door.
  12. Turn gas control knob to "ON" position.
  13. Turn the On/Off switch to "ON" position or set thermostat to desired setting.
  14. Turn on all electrical power to the fireplace.

## To Turn Off Gas To Heater

1. Turn the On/Off switch to Off position or set the thermostat to lowest setting. (R Models only)
2. Turn off all electric power to the fireplace if service is to be performed.
3. Open control access panel.
4. Push in gas control knob slightly and turn clockwise  to "OFF". Do not force.
5. Close control access panel.

## Troubleshooting

Follow these procedures in the order presented.

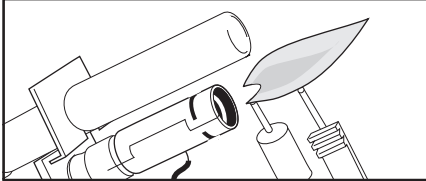
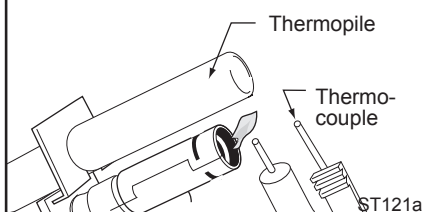
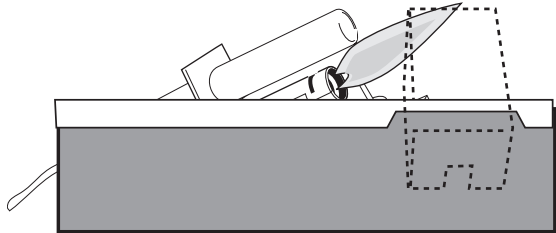
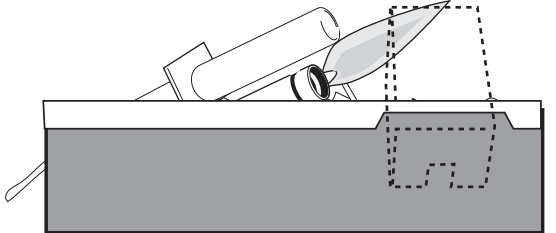
### WARNING

**TURN OFF HEATER AND ALLOW TO COOL COMPLETELY BEFORE SERVICING.**

CONDITION	POSSIBLE CAUSE	SOLUTION
<b>No spark at pilot when Ignitor is operated.</b>	<ol style="list-style-type: none"> <li>1. Ignition Electrode is disconnected from ignition wire, broken or incorrectly positioned.</li> <li>2. Ignitor wire is broken.</li> <li>3. Bad Piezo Ignitor.</li> </ol>	<ol style="list-style-type: none"> <li>1. Inspect and re-connect, replace or repair as necessary.</li> <li>2. Replace wire.</li> <li>3. Replace Piezo Ignitor.</li> </ol>
<b>The Ignitor Electrode sparks, but Pilot does not light.</b>	<ol style="list-style-type: none"> <li>1. Gas supply is turned off or supply line shut-off valve is closed.</li> <li>2. Control Knob is not in PILOT position.</li> <li>3. Control Knob not pressed in while in PILOT position.</li> <li>4. Air present in gas lines.</li> <li>5. Inlet supply pressure is not within correct settings.</li> <li>6. Other conditions that should be identified only by a qualified gas technician.</li> </ol>	<ol style="list-style-type: none"> <li>1. Turn on gas supply or open supply line shut-off valve.</li> <li>2. Turn Control Knob to PILOT.</li> <li>3. Press Control Knob in while in the PILOT position.</li> <li>4. Continue holding in Control Knob and repeat ignition procedure until air is bled from the lines.</li> <li>5. Call local gas supplier. Adjust inlet supply pressure to specification: NG; 5.5" w.c.-14.0"w.c. LP; 11.0" w.c.-14.0"w.c.</li> <li>6. Call qualified gas technician.</li> </ol>



## Troubleshooting cont'd.

CONDITION	POSSIBLE CAUSE	SOLUTION
<p><b>Pilot lights but flame goes out when Control Knob is released.</b></p>  <p>Pilot flame is lifting.</p>	<ol style="list-style-type: none"> <li>Control Knob not fully depressed or held in long enough.</li> <li>Gas supply line shut-off valve is not fully open.</li> <li>Thermocouple connection is loose at the Control Valve.</li> </ol>	<ol style="list-style-type: none"> <li>Depress Control Knob fully and hold in for a full 30 seconds.</li> <li>Fully open gas supply line shut-off valve.</li> <li>Inspect and tighten securely.</li> </ol>
 <p>Pilot flame is weak - does not touch Thermocouple.</p>	<ol style="list-style-type: none"> <li>Pilot flame does not touch the Thermocouple. This can be caused by: A) Incorrect gas pressure, and/or B) other conditions that should be identified only by a qualified service technician.</li> <li>Thermocouple is damaged.</li> <li>Control Valve is damaged.</li> </ol>	<ol style="list-style-type: none"> <li>A) Call local gas supplier. Adjust inlet supply pressure to specification: NG; 5.5" w.c.-14.0"w.c. LP; 11.0" w.c.-14.0"w.c. B) Call local gas service technician.</li> <li>Call local gas service technician.</li> <li>Call local gas service technician.</li> </ol>
 <p>Correct LP Pilot Flame.</p>	 <p>Correct NG Pilot Flame.</p>	
<p><b>Pilot lights but Main Burner does not.</b></p>	<ol style="list-style-type: none"> <li>Gas supply line shut-off valve is not fully open.</li> <li>Foreign material is blocking Burner ports.</li> <li>Main Burner orifice is clogged.</li> <li>Thermostat or remote switch not activated on JUVS.</li> <li>Bad Thermopile.</li> </ol>	<ol style="list-style-type: none"> <li>Fully open gas supply line shut-off valve.</li> <li>Inspect and clear debris away from Burner ports.</li> <li>Call local gas service technician.</li> <li>Set thermostat to higher temperature or check remote switch.</li> <li>Call local gas service technician.</li> </ol>
<p><b>Main Burner shuts off and Pilot flame goes out while in operation.</b></p>	<ol style="list-style-type: none"> <li>Insufficient fresh air.</li> <li>Incorrect inlet supply pressure.</li> </ol>	<ol style="list-style-type: none"> <li>Determine that adequate ventilation exists to provide sufficient fresh air. Open a window or provide additional ventilation. (See Fresh Air Requirements, Pages 6-7)</li> <li>Call local gas supplier. Adjust inlet supply pressure to specification: NG; 5.5" w.c.-14.0"w.c. LP; 11.0" w.c.-14.0"w.c.</li> </ol>

## Maintenance

The following procedures will help ensure that your heater continues to perform safely and efficiently.

### Firebox Cleaning and Inspection

**Cleanliness is critical to correct operation of the heater. The log set, burner, valve controls and air circulation areas must all be kept free of dust and unobstructed by debris. Inspect these areas before each use and clean whenever accumulation is evident.** Follow the simple procedure outlined below.

Frequent cleaning may be necessary in living environments subject to excessive carpet lint or pet hair. For example, if you live with a dog that sheds continuously, you will need to inspect the burner area frequently and clean it as often as the accumulation requires. **In extreme conditions, it may be necessary to clean the burner and log set monthly or bi-weekly.**

**This appliance should be inspected and thoroughly cleaned annually by a qualified gas technician.**

### Cleaning Procedure

1. Turn the burner OFF and let the heater cool completely before cleaning.
2. Lift the Front plate up and then swing the bottom out to disengage it from the heater shell. (Page 13, Fig. 17)
3. Remove the screen by lifting up and away from the unit. Or, if so equipped, remove the glass panel by rotating the two cams toward the front of the firebox. Lift the panel up and off of the firebox frame. (Fig. 23)
4. Carefully inspect the log set for damage. Contact your local dealer if any damage is evident. **DO NOT OPERATE THE HEATER WITH A DAMAGED OR LOOSE LOG SET.**

Use a soft-bristled brush vacuum cleaner attachment to remove dust or debris from the log set, pilot and burner. Use care as the log set is fragile.

5. Inspect the catalytic combustor at the top of the firebox. Replace the combustor if any damage or deterioration is evident.
6. Replace the screen or glass panel and the front plate. **DO NOT OPERATE THE HEATER WITH THE SCREEN / GLASS PANEL OR FRONT PLATE REMOVED.**

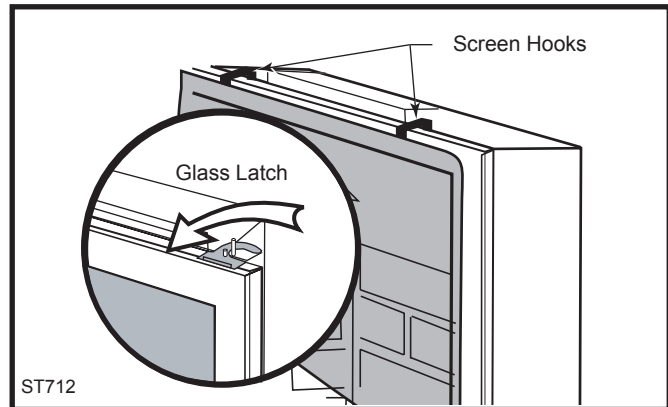


Fig. 23 Remove the screen or glass panel.

### Glass Replacement

If so equipped, do not operate this appliance with the glass panel cracked, broken, or removed. Replace damaged glass only with an approved MHSC ceramic glass panel. Follow the Cleaning Procedure instructions regarding parts removal.

### Care of Cast Iron

An occasional dusting with a dry rag will help keep the painted surfaces looking new. Use high-temperature stove paints, available through your local dealer, to touch-up areas as needed. Clean areas to be painted with a wire brush and be sure to cover the log set, burner and valve assembly. Apply the paint sparingly; two light coats of paint will give better results than a single heavy coat.

Porcelain enamel surfaces should be cleaned with a soft, damp cloth. Do not use abrasive cleaning agents. If necessary, use only a cleaning agent formulated specifically for use on porcelain enamel surfaces.

### WARNING

**Turn the burner Pilot OFF before applying paint. NEVER paint pilot or around pilot area.**

### WARNING

**Dust and debris accumulation can result in poor performance. Inspect the Valve compartment, burner parts and log set frequently and Clean these parts monthly or as often as accumulation warrants.**

## Catalytic Combustor

The combustor should be cleaned annually to ensure optimal performance. Follow the procedure below.

### Remove the Combustor Module

1. Be sure the heater is COLD.
2. Remove the screws and washers holding the combustor in place. Lift combustor up and out.

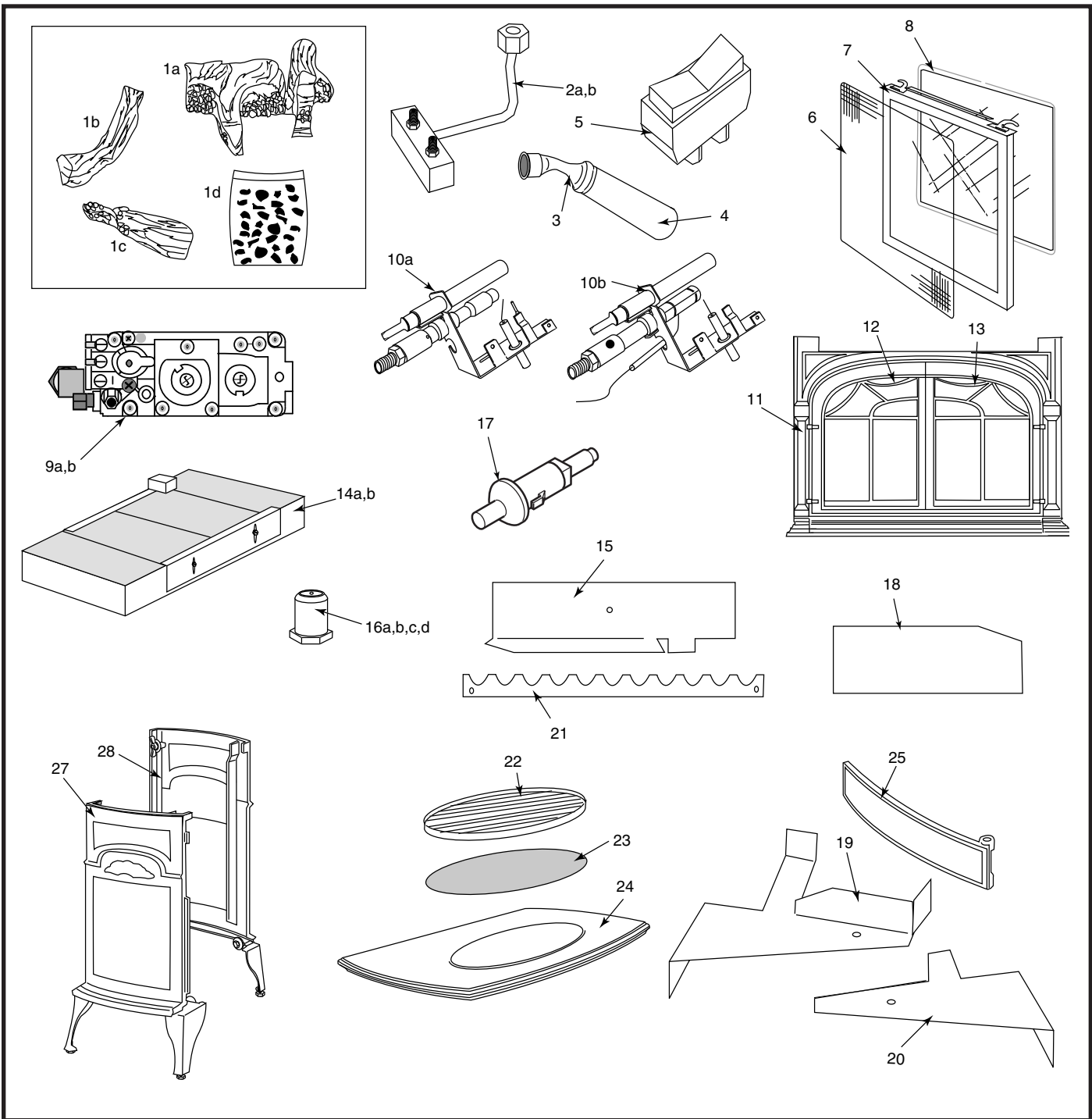
### Clean the Combustor Module

1. Clean the outer surface of the filter with the brush attachment of your vacuum cleaner to remove loose dirt.
2. Submerge the filter in a mild soapy water solution. Rinse thoroughly with **distilled water**.
3. Replace in heater when dry.

### Replace the Combustor Module

1. Replace combustor on top of firebox.
2. Secure with screws and washers removed earlier.

Refer to Page 10, Figure 13.



MHSC reserves the right to make changes in design, materials, specifications, prices and discontinue colors and products at any time, without notice.

# Stardance Vent Free Gas Heaters

## Models 4050, 4051

## Stardance Vent Free Gas Heaters

### Models 4050, 4051 (continued)

Ref.	Description	Stardance
1.	Gas Log Assembly	20005005
1a.	Log #V40 Rear	20005006
1b.	Log #V42 Left	20005008
1c.	Log #V41 Right	20005007
1d.	Lava Rocks Burner	57897
2.	Manifold Assy.	20003739
3.	Damper Steel Handle/Screw	30002720
4.	Handle Package, Ceramic w/Screw	30004175K
5.	Trim ON/OFF Switch	30000874
6.	Screen	20005009
7.	Glass Frame Assembly - UVGODCFK	30000127
8.	Glass w/Gasket (Comes with UVGODCFK)	30000166
9a.	Valve SIT - Nat.	14D0467
9b.	Valve SIT - LP	14D0468
10a.	Oxygenerator, NG OP #8204	55464
10b.	Oxygenerator, LP OP #8404	55465
11.	Front, Stardance OP DR Black	30001496
12.	Door, Left - Black	30004082
13.	Door, Right - Black	30004081
14a.	Burner Housing Assy. - Nat.	20003130
14b.	Burner Housing Assy. - LP	20004995
15.	Bracket, Rear Log - JUV	20003274
16a.	Orifice Hood #69 (.0292") - Front - LP	30000513
16b.	Orifice Hood #54 (.055") - Front - Nat.	20000130
16c.	Orifice Hood #54 (.055") - Rear - LP	20000130
16d.	Orifice Hood #44 (.086") - Rear - Nat.	30000334
17.	Ignitor Piezo	14D0503
18.	Gasket, Base Pan Inner	20002566
19.	Bracket Support Right Log	20004920
20.	Bracket Support Left Log	20005022
21.	Grate Decorative Burner	20003022
22.	Grille	30000393
23.	Mesh, Grille	30000508
24.	Top, Stardance Black	30001278
25.	Door, Control Black	1301087
26.	Catalyst, (not shown) (Comes with UVGODCFK)	30000506
27.	Left End Black	30001280
28.	Right End Black	30001279
29.	1/4" Fiberglass Gasket	1203560
30.	*Magnet, Door (not shown)	30004112
31.	*Magnet, Control Door (not shown)	1408818

\*Use common super glue or silicone to attach magnets.

## Optional Accessories Available

### Fan Kits

#### FK28 Fan Assembly

The FK28 fan kit helps distribute heated air from within the firebox out into the room. The fan is controlled by a snapstat that turns power on and off as the firebox temperature rises above and falls below a preset temperature. A rheostat provides for variable fan speeds.

#### Specifications

115 Volt / 60Hz / .75 Amps

#### Maintenance

The fan itself does not require regular maintenance, however periodic cleaning of the fan and the surrounding area is required.

#### Installation

Refer to Assembly Section, Page 8 for installation instructions.

### Glass / Catalyst Kit UVGODCFK

The glass panel replaces the standard screen. The catalytic combustor installs easily into the upper manifold above the firebox.

### Remote Controls

The remote control allows you to turn the heater on or off from anywhere in the room. Remote controls are available for the Stardance only.

Model	Functions Controlled
RCB,RCMT	ON/OFF
RCBE,WMTD	
RCST,RCSTE,RCT, WWTD,RCSTEB, RCSITE,RCSIT	ON/OFF and Temperature
WT	Wall mounted thermostat control

### Warming Shelf

Warming shelves add versatility to your stove. The warming shelf can be used to keep foods warm at mealtime.

Model	Color
2702	Classic Black

The shelf installation is done in three stages. First you attach the shelf loosely to the stove, leaving the screws loose enough to allow final adjustments. Then, you position the shelf and adjust the brackets so the shelf fits correctly. Finally, you tighten the screws.

Refer to the instructions included with each warming shelf for complete installation procedures.

# LIMITED LIFETIME WARRANTY

## PRODUCT COVERED BY THIS WARRANTY

All Vermont Castings gas stoves, gas inserts, and gas fireplaces equipped with an Insta-Flame Ceramic Burner, or standard steel tube burner.

### BASIC WARRANTY

MHSC (hereinafter referred to collectively as the Company) warrants that your new Vermont Castings or Majestic Gas Fireplace/Stove is free from manufacturing and material defects for a period of one year from the date of purchase, subject to the following conditions and limitations.

### EXTENDED LIFETIME WARRANTY

The heat exchanger, where applicable, and combustion chamber of every Vermont Castings or Majestic gas product is warranted for life against through wall perforation. All appliances equipped with an Insta-Flame Ceramic Burner have limited lifetime coverage on the ceramic burner plaque. Warrantees are made to the original owner subject to proof of purchase and the conditions and limitations listed on this Warranty Document

### COMPONENT WARRANTY

**CAST IRON:** All external and internal cast iron parts are warranted for a period of three years.

**Note:** On porcelain enamel finished external parts and accessories The Company offers no Warranty on chipping of enamel surfaces. Inspect all product prior to accepting it for any damage to the enamel.

The salt air environment of coastal areas or a high humidity environment can be corrosive to the porcelain enamel finish. These conditions can cause rusting of the cast iron beneath the porcelain enamel finish, which will cause the finish to flake off.

Dye lot variations with replacement parts and/or accessories can occur and are not covered by warranty.

**GLASS DOORS:** Glass doors are covered for a period of one year. Glass doors are not warranted for breakage due to misuse or accident. Glass doors are not covered for discoloration or burned in stains due to environmental issues, or improper cleaning and maintenance.

**BRASS PLATED PARTS AND ACCESSORIES:** Brass parts should be cleaned with Lemon oil only. Brass cleaners cannot be used. Mortar mix and masonry cleaners may corrode the brass finish. The Company will not be responsible for, nor will it warrant any brass parts which are damaged by external chemicals or down draft conditions.

**GAS VALVES:** Gas valves are covered for a period of one year

**ELECTRONIC AND MECHANICAL COMPONENTS:** Electronic and mechanical components of the burner assembly are covered for one year. All steel tube burners are warranted for one year.

**ACCESSORIES:** Unless otherwise noted all components and MHSC supplied accessories are covered for a period of one year.

### CONDITIONS AND LIMITATIONS

- This Vermont Castings or Majestic product must be installed or serviced by a qualified installer, preferably NFI or WETT (Canada) certified, as prescribed by the local jurisdiction. It must be installed and operated at all times in accordance with the Installation and Operating instructions furnished with the product. Any alteration, willful abuse, accident, or misuse of the product shall nullify this warranty.
- This warranty is non-transferable, and is made to the original owner, provided that the purchase was made through an authorized supplier of the Company.
- The customer must pay for any Authorized Dealer in-home travel fees or service charges for in-home repair work. It is the dealers option whether the repair work will be done in the customer's home or in the dealer's shop.
- If upon inspection, the damage is found to be the fault of the manufacturer, repairs will be authorized at no charge to the customer parts and/or labor.
- Any part and/or component replaced under the provisions of this

warranty is covered for six months or the remainder of the original warranty, whichever is longest.

- This warranty is limited to the repair of or replacement of part(s) found to be defective in material or workmanship, provided that such part(s) have been subjected to normal conditions of use and service, after said defect is confirmed by the Company's inspection.
- The company may, at its discretion, fully discharge all obligations with respect to this warranty by refunding the wholesale price of the defective part(s)
- Any installation, labor, construction, transportation, or other related costs/expenses arising from defective part(s), repair, replacement, or otherwise of same, will not be covered by this warranty, nor shall the Company assume responsibility for same. Further, the Company will not be responsible for any incidental, indirect, or consequential damages except as provided by law.
- SOME STATES DO NOT ALLOW FOR THE EXCLUSION OR LIMITATIONS OF INCIDENTAL AND CONSEQUENTIAL DAMAGES OR LIMITATIONS ON HOW LONG AN IMPLIED WARRANTY LASTS, SO THE ABOVE LIMITATIONS MAY NOT APPLY TO YOUR CIRCUMSTANCES. THIS WARRANTY GIVES YOU SPECIFIC RIGHTS AND YOU MAY HAVE OTHER RIGHTS WHICH VARY FROM STATE TO STATE.
- All other warranties-expressed or implied- with respect to the product, its components and accessories, or any obligations/liabilities on the part of the Company are hereby expressly excluded.
- The Company neither assumes, nor authorizes any third party to assume on its behalf, any other liabilities with respect to the sale of this Vermont Castings or Majestic product
- The warranties as outlined within this document do not apply to chimney components or other non-MHSC accessories used in conjunction with the installation of this product..
- Damage to the unit while in transit is not covered by this warranty but is subject to claim against the common carrier. Contact the dealer from whom you purchased your fireplace/stove (do not operate the appliance as this might negate the ability to process the claim with the carrier).
- The Company will not be responsible for:
  - a) Down drafts or spillage caused by environmental conditions such as near-by trees, buildings, roof tops, hills, or mountains.
  - b) Inadequate ventilation or negative air pressure caused by mechanical systems such as furnaces, fans, clothes dryers, etc.
- This warranty is void if:
  - a) The fireplace has been operated in atmospheres contaminated by chlorine, fluorine, or other damaging chemicals.
  - b) The fireplace has been subjected to prolonged periods of dampness or condensation
  - c) Any damages to the fireplace, combustion chamber, heat exchanger or other components due to water, or weather damage, which is the result of but not limited to, improper chimney/venting installation.
  - d) Any alteration, willful abuse, accident, or misuse of the product has occurred.

### IF WARRANTY SERVICE IS NEEDED...

- 1) Contact your supplier. Make sure you have your warranty, your sales receipt, and the model/serial number of your MHSC product.
- 2) DO NOT ATTEMPT TO DO ANY SERVICE WORK YOURSELF.

**NATIONAL  
FIREPLACE  
INSTITUTE®**



**CERTIFIED**

[www.nficertified.org](http://www.nficertified.org)

We recommend that our gas hearth products be installed and serviced by professionals who are certified in the U.S. by the National Fireplace Institute® (NFI) as NFI Gas Specialists.

## **MHSC**

149 Cleveland Drive • Paris, Kentucky 40361  
[www.mhsc.com](http://www.mhsc.com)