

# LG

[www.lgservice.com](http://www.lgservice.com)

LG

ENGLISH

ESPAÑOL

## LG Window-Type Air Conditioner

**MODELS: LWHD1800R , LWHD1450ER**

### IMPORTANT

- Please read this owner's manual carefully and thoroughly before installing and operating your room air conditioner.
- Please retain this owner's manual for future reference after reading it thoroughly.

### PRECAUTIONS

- Antes de instalar y poner en marcha su ventilador de casa, haga el favor de leer cuidadosamente esta instrucción de Usuario.
- Luego de su lectura, guarde este manual para el futuro usuario para las referencias.

# TABLE OF CONTENTS

<b>Safety Precautions</b> .....	3
<b>Before Operation</b> .....	7
<b>Introduction</b> .....	8
Symbols Used in this Manual .....	8
Features .....	8
<b>Electrical Safety</b> .....	9
Temporary Use of an Adapter .....	11
Temporary Use of an Extension Cord .....	11
<b>Introduction</b> .....	12
How to Install the unit .....	12
Window Requirements .....	12
Installation Kits Contents .....	13
Suggested Tool Requirements .....	13
Cabinet Installation .....	14
<b>Operating Instructions</b> .....	17
Remote Control Operations .....	17
Remote Controller .....	18
Additional Features.....	19
Air Direction .....	19
Vent Control .....	19
Drain Pipe.....	20
Removal from Window.....	20
<b>Maintenance and Service</b> .....	21
Air Filter .....	21
Cleaning the Air Conditioner .....	21
How to Remove the Front Grille .....	22
Common Problems and Solutions.....	23
Troubleshooting .....	24



## FOR YOUR RECORDS

Write the model and serial numbers here:

**Model #** \_\_\_\_\_

**Serial #** \_\_\_\_\_

You can find the numbers on a label on the side of the product.

**Dealer's Name** \_\_\_\_\_

**Date Purchased** \_\_\_\_\_

■ Staple your receipt to this page in the event you need it to prove date of purchase or for warranty issues.



## READ THIS MANUAL

Inside you will find many helpful hints on how to use and maintain your air conditioner properly. Just a little preventive care on your part can save you a great deal of time and money over the life of your air conditioner.

You'll find many answers to common problems in the chart of troubleshooting tips. If you review our chart of

**Troubleshooting Tips** first, you may not need to call for service at all.



## PRECAUTION

- Contact an **Authorized Service Center** for repair or maintenance of this unit. Call 1-800-243-0000 to locate the nearest ASC.
- This air conditioner is not intended for use by young children or invalids without supervision.
- Young children should be supervised to ensure that they do not play with the air conditioner.
- If the power cord requires replacement, have an **Authorized Servicer** install an exact replacement part.
- Installation work must be performed in accordance with the **National Electric Code** by qualified and authorized personnel only.



# Safety Precautions



To prevent injury to the user or other people and property damage, the following instructions must be followed.

- Incorrect operation due to ignoring instructions will cause harm or damage. The seriousness is classified by the following indications.
- Because of the weight of the product, it is recommended that you have a helper to assist in the installation.

**⚠ WARNING** This symbol indicates the possibility of death or serious injury.

**⚠ CAUTION** This symbol indicates the possibility of injury or damage to property only.

- Meanings of symbols used in this manual are as shown below.

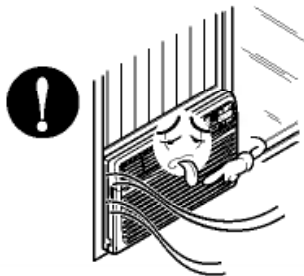
	<b>Be sure not to do.</b>
	<b>Be sure to follow the instruction.</b>

## ⚠ WARNING

### ■ Installation

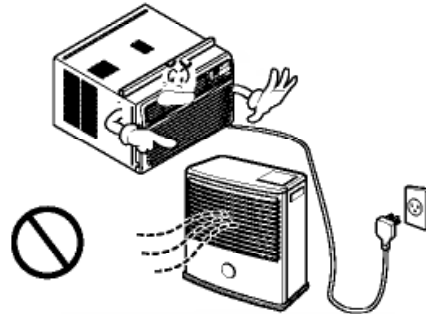
**Always install the expansion panel(s).**

- Improper assembly or installation may cause incorrect operation, including injury, fire, and



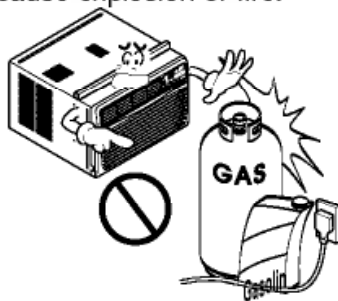
**Do not place the power cord near a heater.**

- It may cause fire and electric shock.



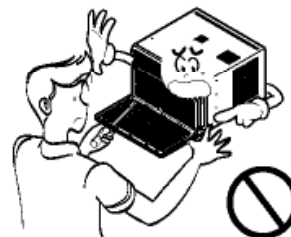
**Do not use the power cord near flammable gas or combustibles such as gasoline, benzene, thinner, etc.**

- It may cause explosion or fire.



**Do not disassemble or modify products.**

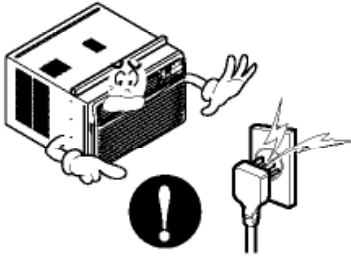
- It may cause electric shock and failure.



## ■ Operation

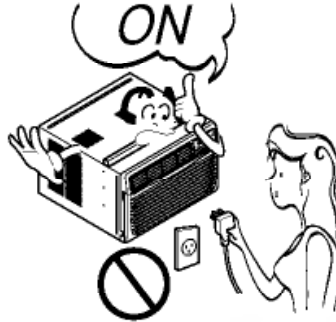
### Plug in the power plug properly.

- Otherwise, it will cause electric shock or fire.



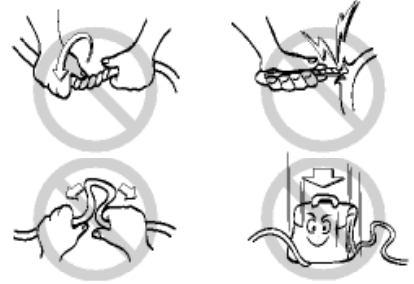
### Do not operate or stop the unit by inserting or pulling out the power plug.

- It will cause electric shock or fire.



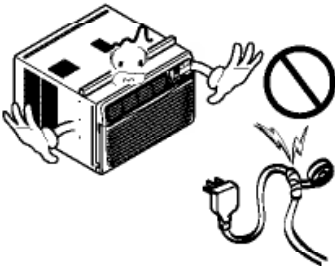
### Do not damage or use an unspecified power cord.

- It will cause electric shock or fire.



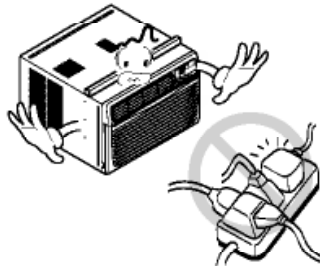
### Do not modify power cord length.

- It will cause electric shock or fire.



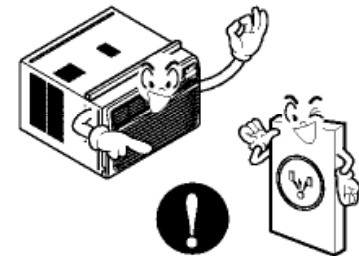
### Use the air conditioner on a single outlet circuit. (See page 7.) Do not share the outlet with other appliances.

- It will cause electric shock or fire.



### Always plug into a grounded outlet.

- No grounding may cause electric shock.



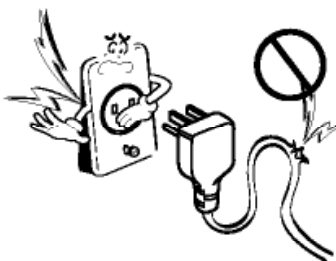
### Unplug the unit if strange sounds, odors, or smoke come from it.

- Otherwise it will cause fire and electric shock accident.



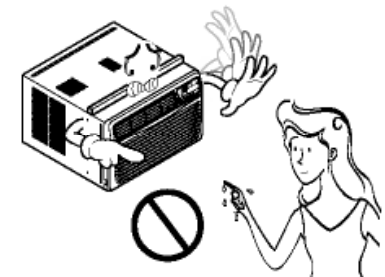
### Do not use the socket if it is loose or damaged.

- It may cause fire and electric shock.



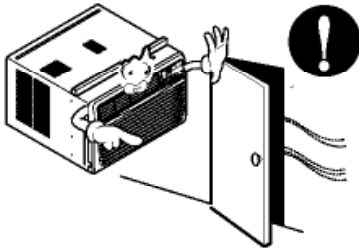
### Do not operate with wet hands or in damp environment.

- It may cause electric shock.



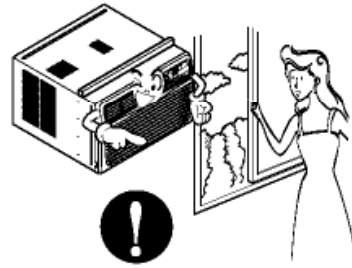
**Close all doors, windows and other outside openings to the room.**

- The air conditioner must be operated in a enclosed area to be most effective.



**Ventilate before operating air conditioner when gas goes out.**

- It may cause explosion, fire, and burn.



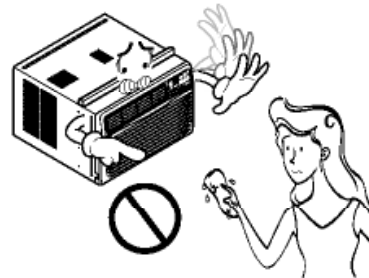
**If water enters the product, turn off the the power switch of the main body of appliance. Contact service center after taking the power-plug out from the socket.**

- It will cause electric shock or failure of machine.



**Do not clean the air conditioner with water.**

- Water may enter the unit and degrade the insulation. It may cause an electric shock.

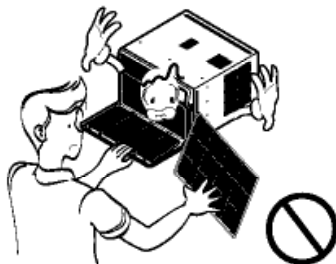


**CAUTION**

**Installation**

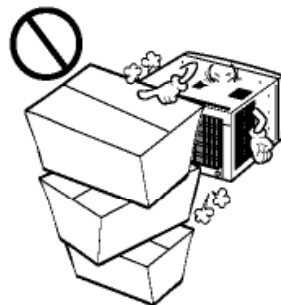
**Never touch the metal parts of the unit when removing the filter.**

- They are sharp and may cause injury.



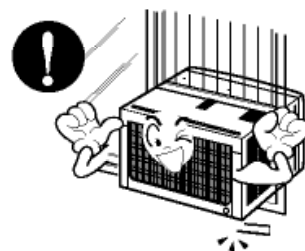
**Do not block the inlet or outlet.**

- It may cause failure of appliance or performance deteriorate.



**Ensure that the outer case is not damaged by age or wear.**

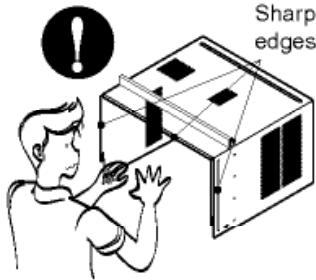
- If the outer case is damaged, it must be repaired or replaced immediately. Leaving it damaged could result in the air conditioner falling out of the window, creating a safety hazard.



## ■ Operation

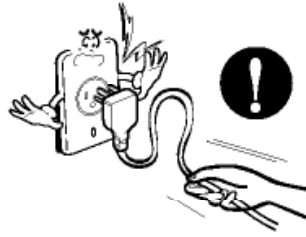
**Be cautious not to touch the sharp edges when installing.**

- It may cause injury.



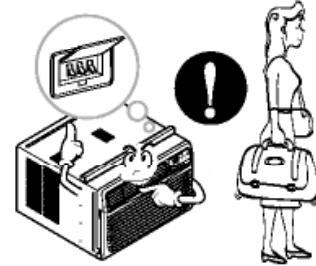
**Hold the plug by the head when taking it out.**

- It may cause electric shock and damage.



**Unplug the air conditioner if it will not be used for a long period.**

- It will waste power consumption in vain and it may cause accident.



**Unplug the air conditioner before cleaning it.**

- Since the fan rotates at high speed during operation, it may cause injury.



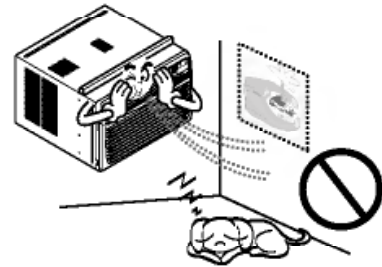
**Do not put a pet or house plant where it will be exposed to direct air flow.**

- This could injure the pet or plant.



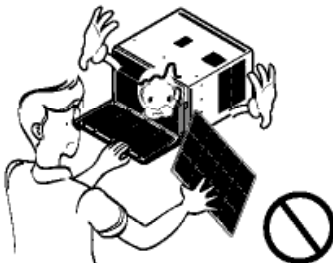
**Do not use this appliance for special purposes such as pets, foods, precision machinery, or objects of art.**

- It is an air conditioner, not a precision refrigeration system.



**Always insert the filter securely. Clean it every two weeks.**

- Operation without filters **will** cause failure.



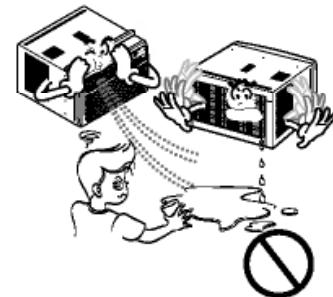
**Use a soft cloth to clean. Do not use wax, thinner, or a strong detergent.**

- The appearance of the air conditioner may deteriorate, change color, or develop surface flaws.



**Do not drink water drained from air conditioner. Do not direct airflow at room occupants only.**

- It is not sanitary and could cause illness or personal injury hazard.



# Before Operation

## Preparing for Operation

1. Plug in the power cord properly.
2. Use a dedicated circuit. Overloading the line could create a fire hazard.
3. Do not use an extension cord. See page 11 for more details.
4. Do not start/stop operation by plugging/unplugging the power cord.
5. If the power cord is damaged and requires replacement, have an Authorized Servicer install an exact replacement part.

## Usage

1. Being exposed to direct airflow for an extended period of time could be hazardous to your health. Do not expose occupants, pets, or plants to direct airflow for extended periods of time.
2. Due to the possibility of oxygen deficiency, ventilate the room when used together with stoves or other heating devices.
3. Do not use this air conditioner for non-specified special purposes (e.g. preserving precision devices, food, pets, plants, and art objects). Such usage could damage the items.
4. The air conditioner is a consumer comfort appliance, not a precision climate control system.

## Cleaning and Maintenance

1. Do not touch the metal parts of the unit when removing the filter. Injuries can occur when handling sharp metal edges.
2. Do not use water to clean inside the air conditioner. Exposure to water can destroy the insulation, leading to possible electric shock.
3. When cleaning the unit, first make sure that the power and breaker are turned off. The fan rotates at a very high speed during operation. There is a possibility of injury if the unit's power is accidentally triggered on while cleaning inner parts of the unit.

## Service

For repair and maintenance, contact an Authorized Service Center. See the warranty page for details or call (800) 243-0000. Have your model number and serial number available. They should be written on page 2 of this manual.

# Introduction

## Symbols Used in this Manual



This symbol alerts you to the risk of electric shock.



This symbol alerts you to hazards that could cause harm to the air conditioner.

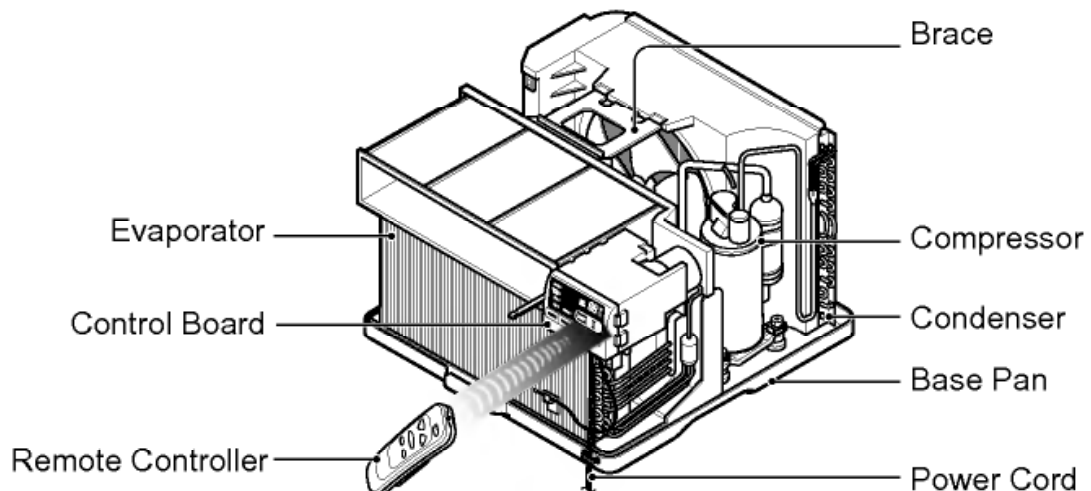
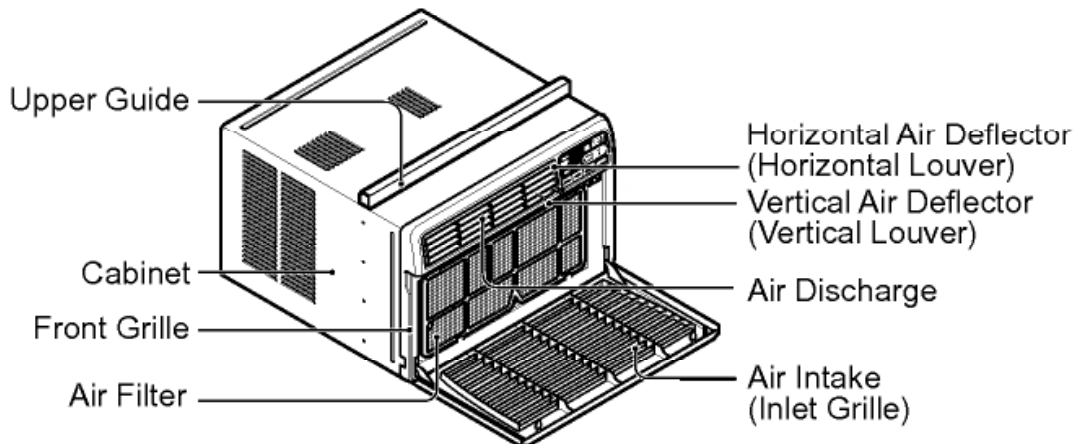
**Tip!**

This symbol indicates special notes.

## Features



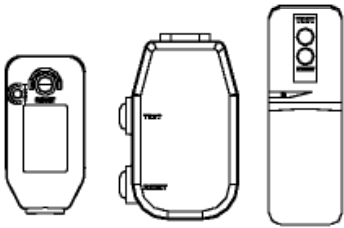
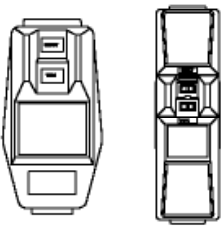
**WARNING:** This appliance should be installed in accordance with the National Electric Code.








# Electrical Safety

## Electrical Data

115V~	230V~	
		<p>Power cord may include a current interrupter device. A test and reset button is provided on the plug case. The device should be tested on a periodic basis by first pressing the TEST button and then the RESET button. If the TEST button does not trip or if the RESET button will not stay engaged, discontinue use of the air conditioner and contact a qualified service technician.</p>


Use Wall Receptacle	Power Supply
 <p>Standard 125V, 3-wire grounding receptacle rated 15A, 125V AC</p>	<p>Use 15 AMP. time delay fuse or 15 AMP. circuit breaker.</p>
 <p>Standard 250V, 3-wire grounding receptacle rated 15A, 250V AC</p>	
 <p>Standard 250V, 3-wire grounding receptacle rated 20A, 250V AC</p>	

### ELECTRICAL SAFETY


#### IMPORTANT GROUNDING INSTRUCTIONS

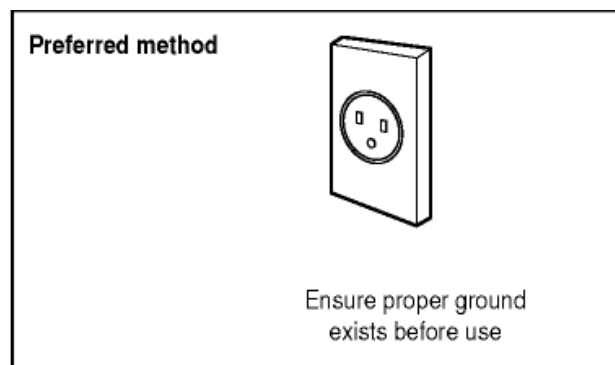
Air conditioner has a three-prong grounding plug on its power supply cord, which must be plugged into properly grounded three-prong wall receptacle for your protection against possible shock hazard.


# Electrical Safety


 **WARNING: This appliance must be properly grounded.**


The power cord of this appliance is equipped with a three-prong grounding plug. To minimize the risk of electric shock, use the plug with a standard three-slot grounding wall power outlet. If the power outlet does not include a grounding slot, have a qualified electrician replace the outlet before you use the room air conditioner.

 **WARNING: Changing the outlet without making the appropriate wiring changes will create an unsafe condition that could result in fire or electrical shock. Refer all such work to a licensed and qualified electrician.**



 **WARNING: Do not cut or remove the grounding prong from the power plug.**

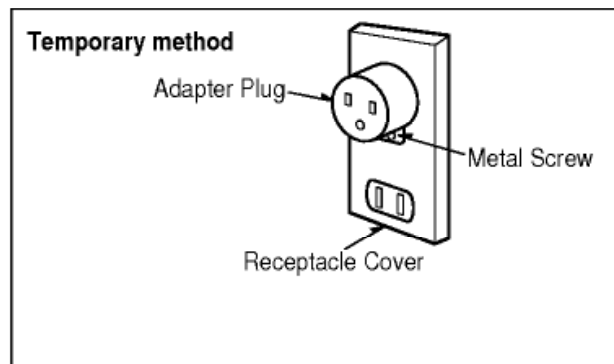
 **WARNING: Attaching the adapter ground terminal to the wall receptacle cover screw does not ground the appliance unless the cover screw is metal and not insulated, and the wall receptacle is grounded through the house wiring.**

 **WARNING: If you have any doubt whether the air conditioner is properly grounded, have the wall receptacle and circuit checked by a qualified electrician.**

## Temporary Use of an Adapter

We **strongly discourage** the use of an adapter due to potential safety hazards. For temporary connections, use only a UL-listed adapter, available from most local hardware stores. Ensure that the large slot in the adapter is aligned with the large slot in the receptacle for a proper polarity connection.

To disconnect the power cord from the adapter, use one hand on each to avoid damaging the ground terminal. Avoid frequently unplugging the power cord as this can lead to eventual ground terminal damage.



**WARNING:** Never use the appliance with a broken adapter.

## Temporary Use of an Extension Cord

### 115VOLT UNIT

We strongly discourage the use of an extension cord due to potential safety hazards. For temporary situations, use only CSA certified and UL listed 3-wire grounded extension cords, rated 15 A, 125V.

All wiring should be made in accordance with local electrical codes and regulations.

### **NOTICE**

Aluminum house wiring may pose special problems. Consult a qualified electrician.

### 230,208, and 230/208 VOLT UNITS

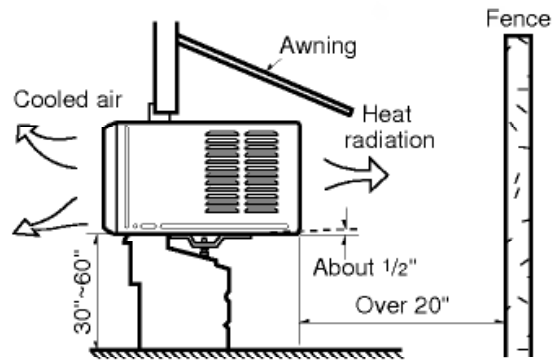
These units are equipped with a three-prong grounding plug on the power supply cord, which must be plugged into a matching properly grounded three-prong wall receptacle for your protection against possible shock hazard. If such an outlet is not present, one must be installed by a qualified electrician in accordance with the National Electrical Code and local codes and ordinances.

### **NOTICE**

DO NOT USE AN EXTENSION CORD on 230,208, and 230/208 Volt units.

## How to Install the Unit

- 1 To prevent vibration and noise, make sure the unit is installed securely and firmly
- 2 Install the unit where the sunlight does not shine directly on the unit.
- 3 The outside of the cabinet must extend outward for at least 12" and there should be no obstacles, such as a fence or wall, within 20" from the back of the cabinet because it will prevent heat radiation of the condenser.  
Restriction of outside air will greatly reduce the cooling efficiency of the air conditioner.



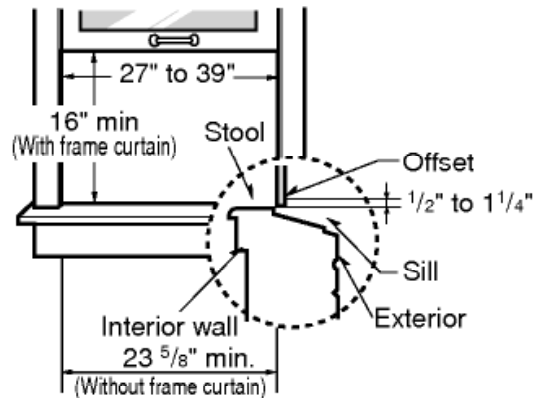
**CAUTION:** All side louvers of the cabinet must remain exposed to the outside of the structure.

- 4 Install the unit a little slanted so the back is slightly lower than the front (about 1/2"). This will force condensed water to flow to the outside.
- 5 Install the unit with the bottom about 30"~60" above the floor level.

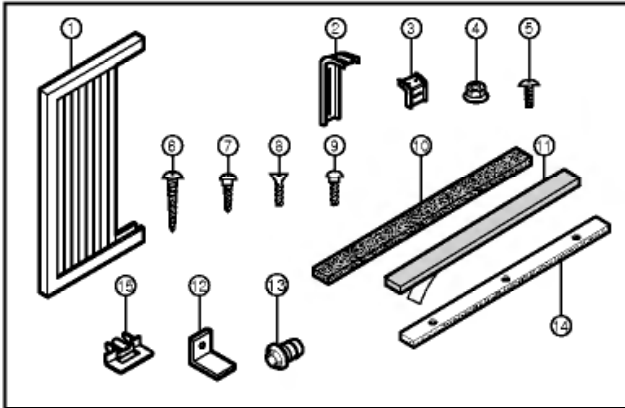
## Window Requirements

**NOTICE** : All supporting parts should be secured to firm wood, masonry, or metal.

- This unit is designed for installation in standard double hung windows with actual opening widths from 27" to 39".
- The top and bottom window sash must open sufficiently to allow a clear vertical opening of 16" from the bottom of the upper sash to the window stool.



## Installation Kits Contents



NO.	NAME OF PARTS	QTY
1	FRAME CURTAIN	2
2	SUPPORT BRACKET	2
3	SILL BRACKET	2
4	LOCK NUT	4
5	SCREW (TYPE A)	14
6	SCREW (TYPE B)	7
7	SCREW (TYPE C)	5
8	SCREW (TYPE D)	2
9	CARRIAGE BOLT	2
10	FOAM STRIP	1
11	FOAM SEAL	1
12	WINDOW LOCKING BRACKET	1
13	DRAIN PIPE	1
14	FOAM-PE	1
15	FRAME GUIDE	2

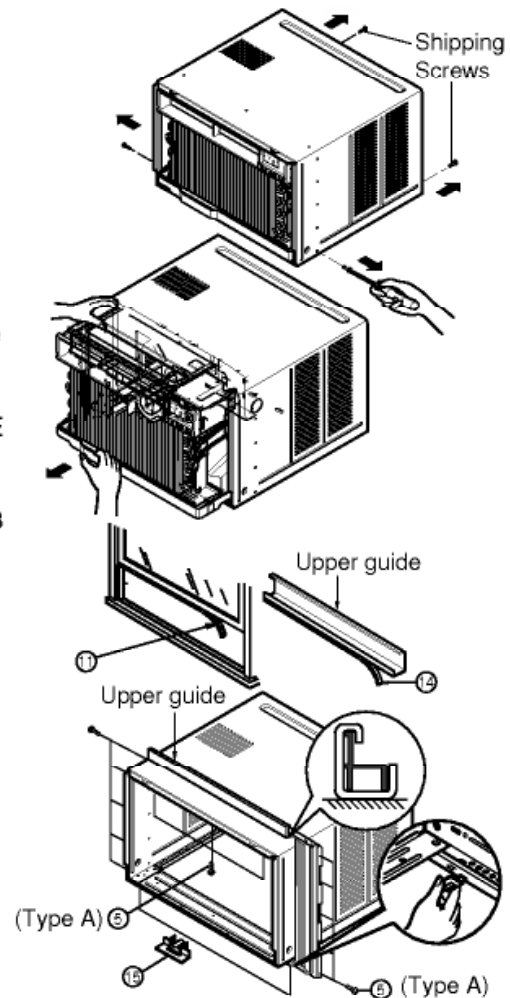
ENGLISH

## Suggested Tool Requirements

SCREWDRIVER(Philips and Flathead), RULER, KNIFE, HAMMER, PENCIL, LEVEL

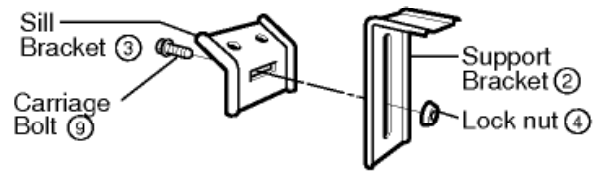
### PREPARATION OF CHASSIS

- 1 Remove the screws which fasten the cabinet at both sides and at the back.
- 2 Slide the unit from the cabinet by gripping the base pan handle and pulling forward while bracing the cabinet.
- 3 Cut the window sash seal to the proper length. Peel off the backing and attach the Foam-Seal ⑪ to the underside of the window sash.
- 4 Remove the backing from the top upper guide Foam-PE ⑭ and attach it to the bottom of the Upper Guide.
- 5 Attach the upper guide onto the top of the cabinet with 3 Type A screws ⑤.
- 6 Insert the Frame Guides ⑮ into the bottom of the cabinet.
- 7 Insert the Frame Curtain ① into the Upper Guide and Frame Guides ⑮.
- 8 Fasten the curtains to the unit with 10 Type A screws ⑤.

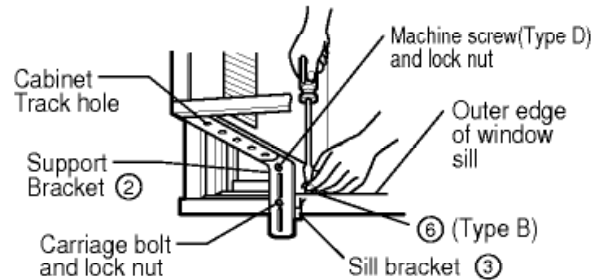


## Cabinet Installation

- 1 Open the window. Mark a line on the center of the window stool between the side window stop moldings. Loosely attach the sill bracket to the support bracket using the carriage bolt and the lock nut.



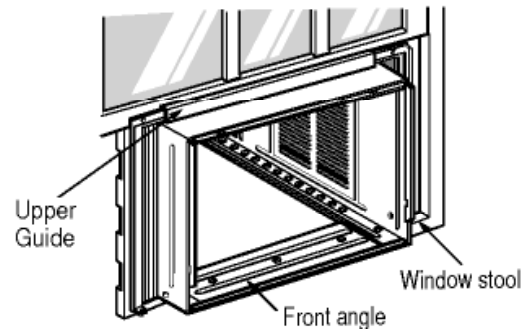
- 2 Attach the sill bracket to the window sill using the screws (Type B). Carefully place the cabinet on the window stool and align the center mark on the bottom front with the center line marked window stool.



- 3 Using the M-screw and the lock nut, attach the support bracket to the cabinet track hole. Use the first track hole after the sill bracket on the outer edge of the window sill. Tighten the carriage bolt and the lock nut. Be sure the cabinet slants outward.



**CAUTION: Do not drill a hole in the bottom pan. The unit is designed to operate with approximately 1/2" of water in bottom pan.**

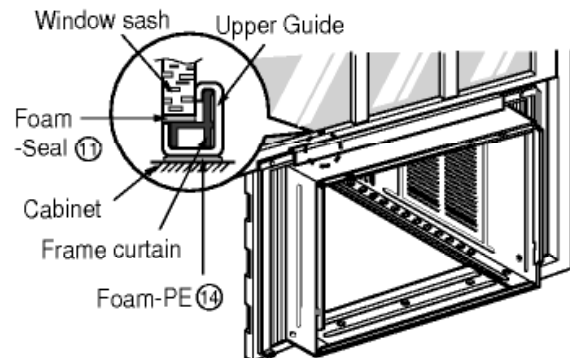


- 4 Pull the bottom window sash down behind the Top retainer bar until they meet.

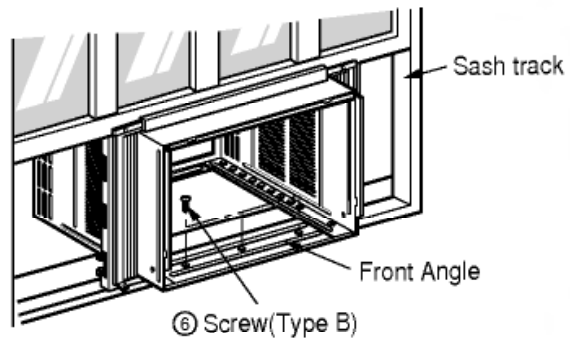
**NOTICE** : 1. Do not pull the window sash down so tightly that the movement of Frame curtain is restricted.

Attach the cabinet to the window stool by driving the screws (Type B) through the cabinet into window stool.

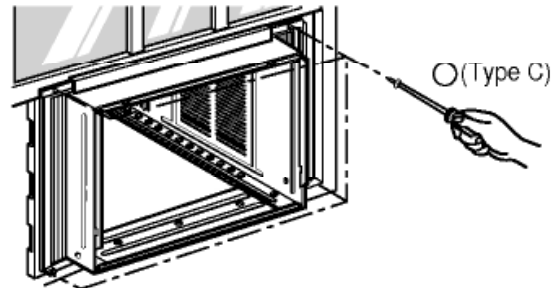
2. The cabinet should be installed with a very slight tilt downward toward the outside.



- 5 Pull each Frame curtain fully to each window sash track, and pull the bottom window sash down behind the Top retainer bar until it meets.

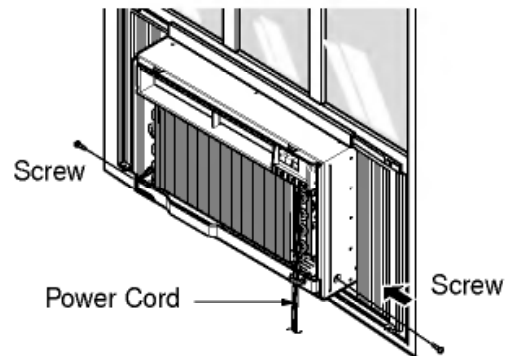


- 6 Attach each Frame curtain the window sash by using screws (Type C.)



- 7 Slide the unit into the cabinet.

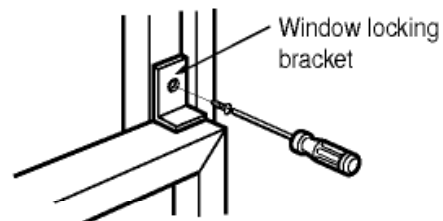
**CAUTION: For security purpose, reinstall screws(Type A) at cabinet's sides.**



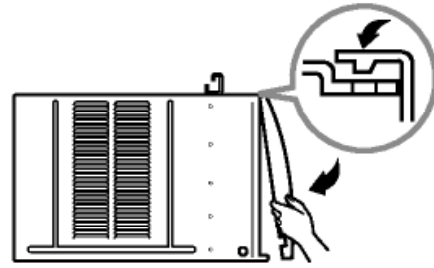
- 8 Cut the Foam-strip to the proper length and insert between the upper window sash and the lower window sash.



- 9 Attach the Window locking bracket with a screw (Type C.)

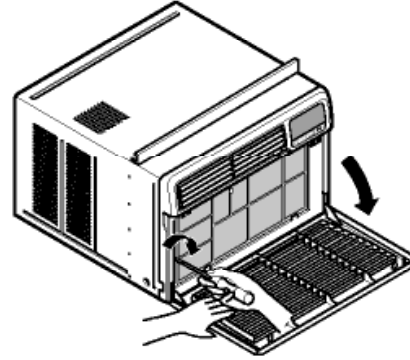


- 10 Attach the front grille to the cabinet by inserting the tabs on the grille into the tabs on the front of the cabinet. Push the grille in until it snaps into place.



- 11 Lift the inlet grille and secure it with a screw (Type A) through the front grille.

- 12 Window installation of room air conditioner is now completed. See ELECTRICAL DATA for attaching power cord to electrical outlet.



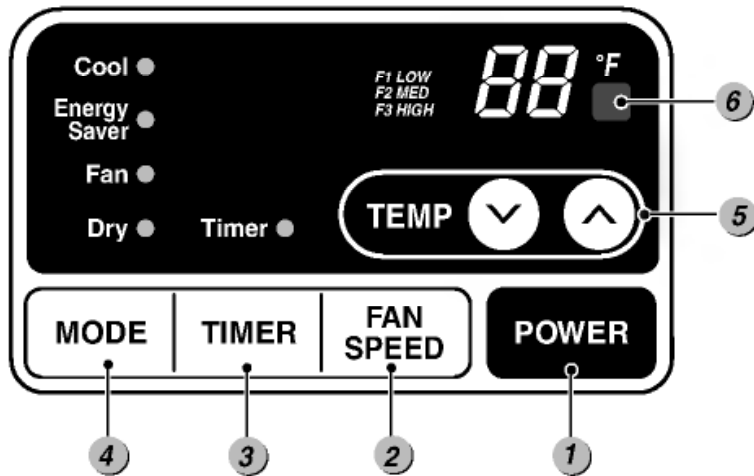


## Remote Control Operations

ENGLISH

The controls look like this:

### Controls



#### 1 POWER

Operation starts when this button is pressed and stops when you press the button again.

#### 2 FAN SPEED SELECTOR

For increased power while cooling, select a higher fan speed.

3 steps: High — Low — Med

#### 3 ON/OFF TIMER

The timer can be set to start and stop the unit in hourly increments (up to 12 hours).

#### 4 OPERATION MODE SELECTOR

Select cooling mode to cool the room.

Select energy saver mode for energy saving operation.

Select fan mode for basic ventilating fan operation.

Select dry mode for dry operation.

#### 5 TEMPERATURE CONTROL

The thermostat monitors room temperature to maintain the desired temperature.

The thermostat can be set between 60°F~86°F (16°C~30°C).

The unit takes an average of 30 minutes to adjust the room temperature by 1°F.

#### 6 REMOTE CONTROL SENSOR

#### AUTO RESTART

*In failure of electric power, the unit runs as previous setting operation.*

## Remote Controller

**CAUTION:** The Remote Controller will not function properly if strong light strikes the sensor window of the air conditioner or if there are obstacles between the Remote Controller and the air conditioner.

### Power

Operation starts when this button is pressed and stops when you press the button again.

### Temperature Control

The thermostat monitors room temperature to maintain the desired temperature.

The thermostat can be set between 60°F~86°F (16°C~30°C).

The unit takes an average of 30 minutes to adjust the room temperature by 1°F.

### Fan Speed

For increased power while cooling, select a higher fan speed.

3 steps: High-Low-Med

### On/Off Timer

The timer can be set to start and stop the unit in hourly increments (up to 12 hours).

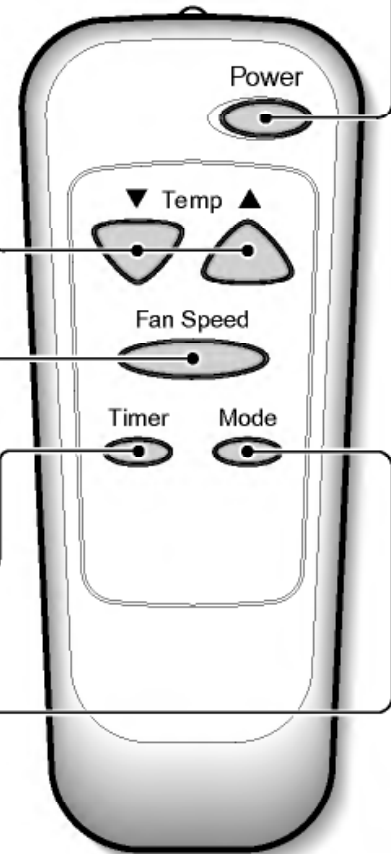
### Operation Mode Selector

Select cooling mode to cool the room.

Select energy saver mode for energy saving operation.

Select fan mode for basic ventilating fan operation.

Select dry mode for dry operation.



### How to Insert Batteries

1. Remove the cover from the back of the remote controller
2. Insert two batteries.  
Be sure of the polarity when installing the batteries.  
Be sure that both batteries are new.
3. Re-attach the cover.



Do not use rechargeable batteries. Such batteries differ from standard dry cells in shape, dimensions, and performance.

Remove the batteries from the remote controller if the air conditioner is not going to be used for an extended length of time.

## Additional Features

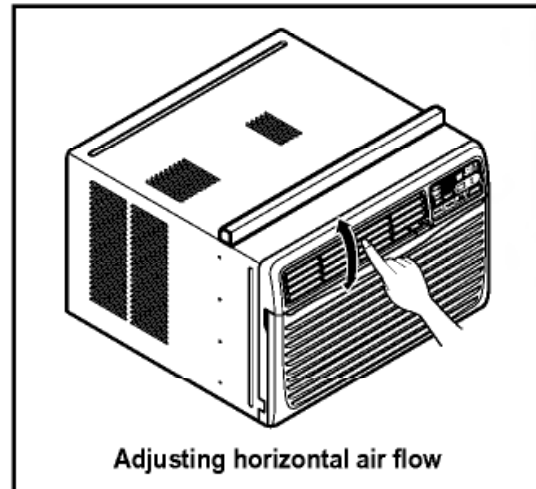
ENGLISH

### Air Direction

Airflow can be adjusted by changing the direction of the air conditioner's louvers. This can also increase the cooling efficiency of the air conditioner.

### Adjusting Horizontal Air Flow Direction

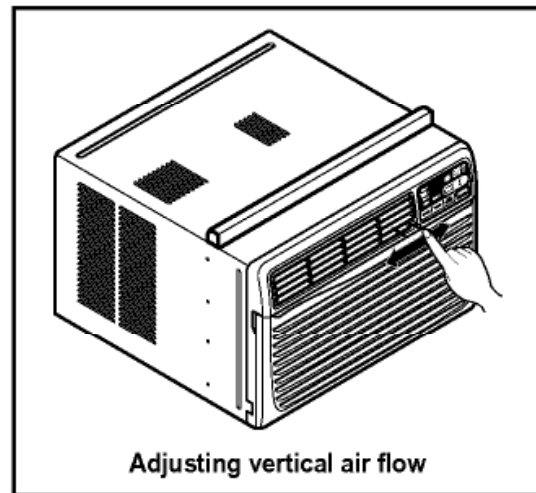
Adjusting the vertical louvers left and right will change horizontal airflow.



Adjusting horizontal air flow

### Adjusting Vertical Air Flow Direction

Adjusting the horizontal vane up and down will change vertical airflow. The vane can be adjusted by nudging the back or up and down of the vane.



Adjusting vertical air flow

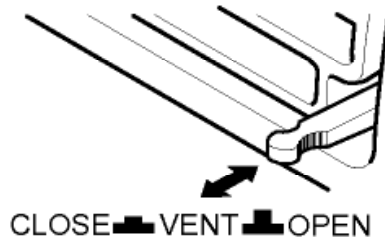
### Recommended orientation of louvers

Adjust louvers to face upwards when cooling to maximize cooling efficiency.

## Vent Control

For maximum cooling efficiency, CLOSE the vent. This will allow internal air circulation.

OPEN the vent to discharge stale air.



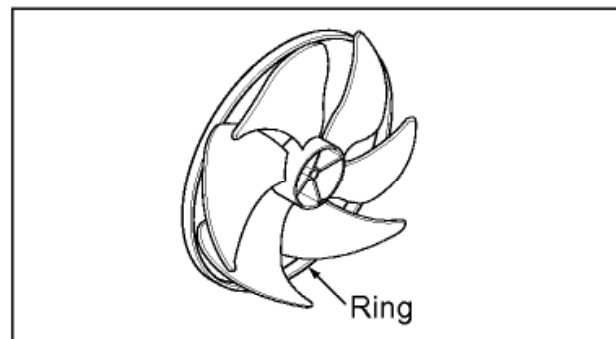
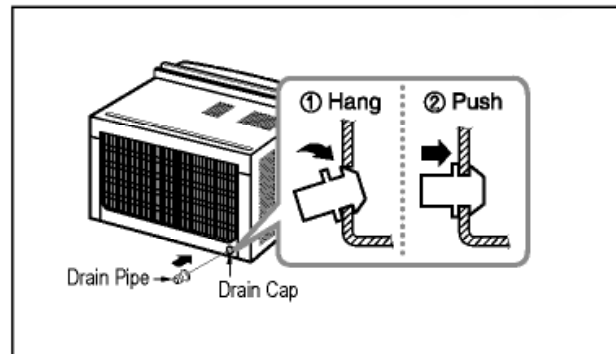
## Additional Features

### Drain Pipe

In humid weather, excess water may cause the Base Pan to overflow. To drain the water, remove the Drain Cap and secure the Drain Pipe to the rear hole of the Base Pan.

Press the drain pipe into the hole by pushing down and away from the fins to avoid injury.

This air conditioner is equipped with a slinger fan. (See drawing, below.) The fan has an outer ring that runs in the water that collects in the base pan if it gets deep. That condensate is then picked up by the fan and expelled through the condenser, making the air conditioner more efficient.



**CAUTION:** Be careful when inserting the drain pipe. Push away from the sharp fin area to avoid slipping injuring yourself.

### Removal From Window

Turn the air conditioner off, disconnect the power cord, remove the L bracket, the screws and Support Bracket installed through the top and bottom of the guide panels, and save for reinstallation later. Close the guide panels. Keeping a firm grip on the air conditioner, raise the sash, and carefully tilt the air conditioner backward, draining any condensate. Lift the air conditioner from the window and remove the sash seal from between the windows.

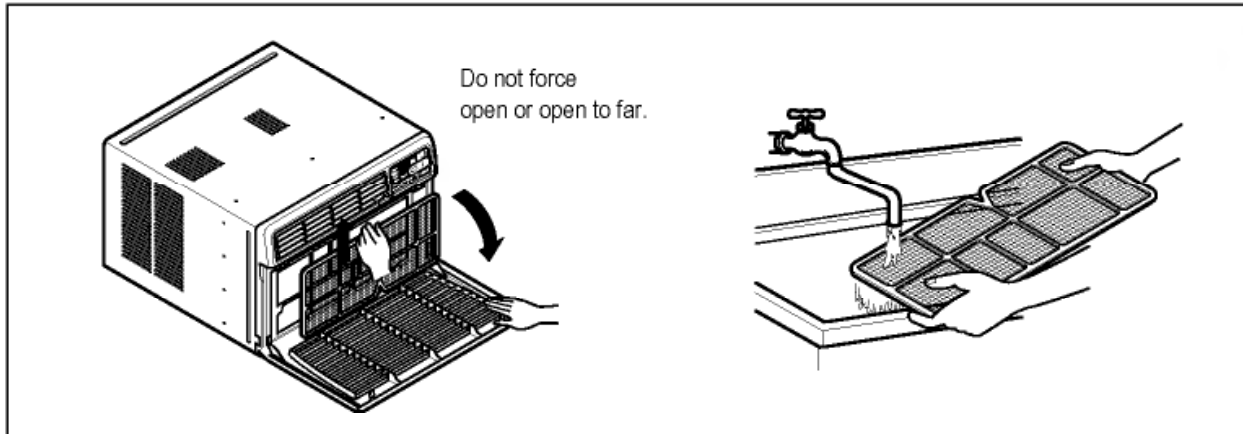
Be sure to drain ALL condensate from the air conditioner. If you don't, it could run out while you carry the unit, making a mess and creating a slipping hazard. This simple step will save you much cleaning and make a safer work environment.

# Maintenance and Service

ENGLISH

## Air Filter

Check the air filter at least twice a month to see if cleaning is necessary. Trapped particles in the filter can build up and block the airflow, reducing cooling capacity and causing an accumulation of frost on the evaporator. To clean the air filter:



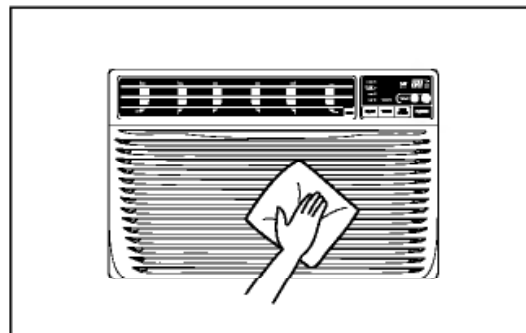
1. Pull the inlet grille forward.
2. Remove the air filter from the front grille by pulling the air filter up slightly.
3. Wash the filter using lukewarm water below 40 °C (104 °F).
4. Gently shake the excess water from the filter and replace.

## Cleaning The Air Conditioner

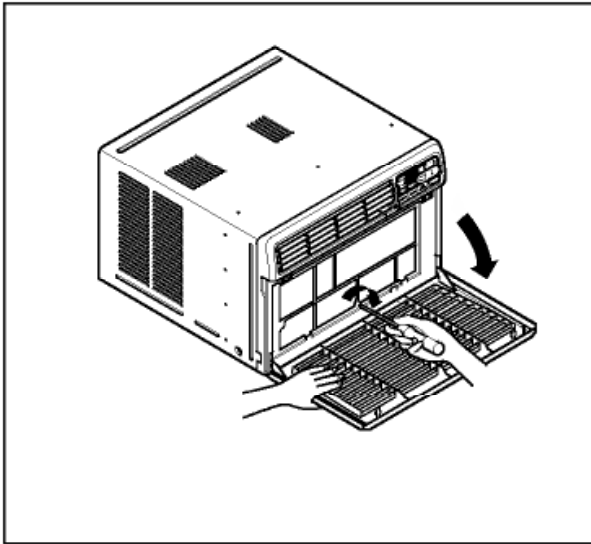
The front grille and Inlet grille may be wiped with a cloth dampened in a mild detergent solution.

The cabinet may be washed with mild soap or detergent and lukewarm water, then polished with Liquid Wax for Appliances.

To ensure continued peak efficiency, the condenser coils (outside of unit) should be checked periodically and cleaned if clogged with soot or dirt from the atmosphere.

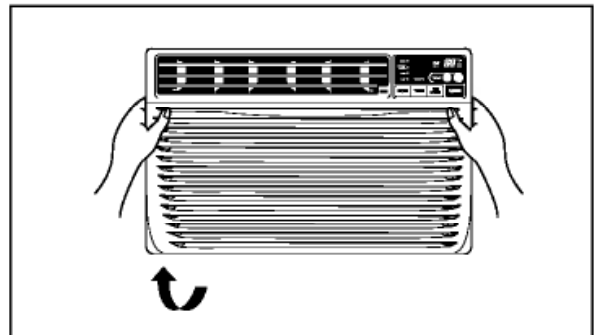


## How to Remove the Front Grille



1. Pull the inlet grille forward
2. Remove the screw securing the Front Grille.

3. Push the grille up from the bottom and pull the top of the grille away from the case as the top tabs lift out of their slots.



## Common Problems and Solutions

### Before Calling for Service

If you have problems with your air conditioner, read the following information and try to solve the problem. If you cannot find a solution, turn off the air conditioner and contact your dealer.

#### **Air conditioner does not operate**

1. Ensure that the air conditioner is plugged into a proper outlet.
2. Check the fuse or circuit breaker.
3. Check whether the voltage is unusually high or low.

#### **Air does not feel cold enough on the cooling setting**

1. Ensure that the temperature settings are correct.
2. Check to see if the air filter is clogged with dust. If so, clean the filter.
3. Ensure that the air flow from the outside is not obstructed and that there is a clearance of over 20" between the back of the air conditioner and the wall or fence behind it.
4. Close all doors and windows and check for any source of heat in the room.



Before calling for service, please review the following list of common problems and solutions.

#### ***The air conditioner is operating normally when:***

- You hear a pinging noise. This is caused by water being picked up by the fan on rainy days or in highly humid conditions. This feature is designed to help remove moisture in the air and improve cooling efficiency. See the section on Slinger Fan, page 20.
- You hear the thermostat click. This is caused by the compressor cycle starting and stopping.
- You see water dripping from the rear of the unit. Water may be collected in the base pan in highly humid conditions or on rainy days. This water overflows and drips from the rear of the unit.
- You hear the fan running while the compressor is silent. This is a normal operational feature.

## Troubleshooting

**The air conditioner may be operating abnormally when:**

<i>Problem</i>	<i>Possible Causes</i>	<i>What To Do</i>
Air conditioner does not start	<ul style="list-style-type: none"> <li>■ The air conditioner is unplugged.</li> </ul>	Make sure the air conditioner plug is pushed completely into the outlet.
	<ul style="list-style-type: none"> <li>■ The fuse is blown/circuit breaker is tripped.</li> </ul>	Check the house fuse/circuit breaker box and replace the fuse or reset the breaker.
	<ul style="list-style-type: none"> <li>■ Power failure.</li> </ul>	If power failure occurs, turn the mode control to <b>Off</b> . When power is restored, wait 3 minutes to restart the air conditioner to prevent tripping of the compressor overload.
	<ul style="list-style-type: none"> <li>■ The current interrupter device is tripped.</li> </ul>	Press the RESET button located on the power cord plug. If the RESET button will not stay engaged, discontinue use of the air conditioner and contact a qualified service technician.
Air conditioner does not cool as it should	<ul style="list-style-type: none"> <li>■ Airflow is restricted.</li> </ul>	Make sure there are no curtains, blinds, or furniture blocking the front of the air conditioner.
	<ul style="list-style-type: none"> <li>■ The thermostat may not be set high enough.</li> </ul>	Turn the knob to a higher number. The highest setting provides maximum cooling.
	<ul style="list-style-type: none"> <li>■ The air filter is dirty.</li> </ul>	Clean the filter at least every 2 weeks. See the care and Maintenance section.
	<ul style="list-style-type: none"> <li>■ The room may have been hot.</li> </ul>	When the air conditioner is first turned on, you need to allow time for the room to cool down.
	<ul style="list-style-type: none"> <li>■ Cold air is escaping.</li> </ul>	Check for open furnace floor registers and cold air returns.
	<ul style="list-style-type: none"> <li>■ Cooling coils have iced up.</li> </ul>	See Air Conditioner Freezing Up below.
Air conditioner freezing up	<ul style="list-style-type: none"> <li>■ Ice blocks the air flow and stops the air conditioner from cooling the room.</li> </ul>	Set the mode control at High Fan or High Cool with thermostat at 1 or 2.

\* You can refer to the Energy Star program in detail at [www.energystar.gov](http://www.energystar.gov).