

PRODUCT SPECIFICATIONS  
**300DVBS(7) Direct Vent System**



**GLASS VIEWING AREA**

27" W x 18" H (486 Square Inches)

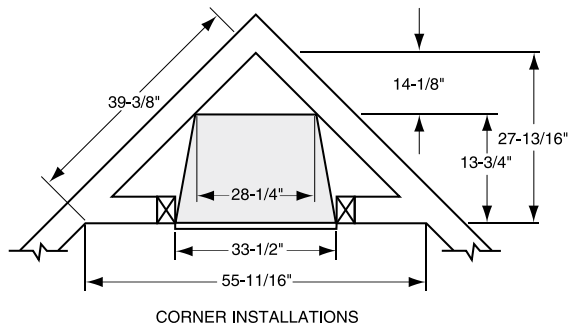
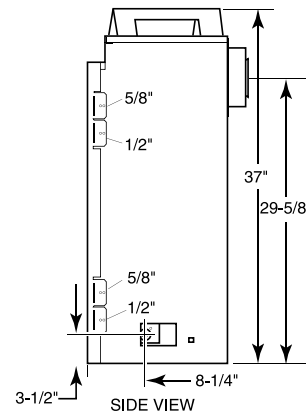
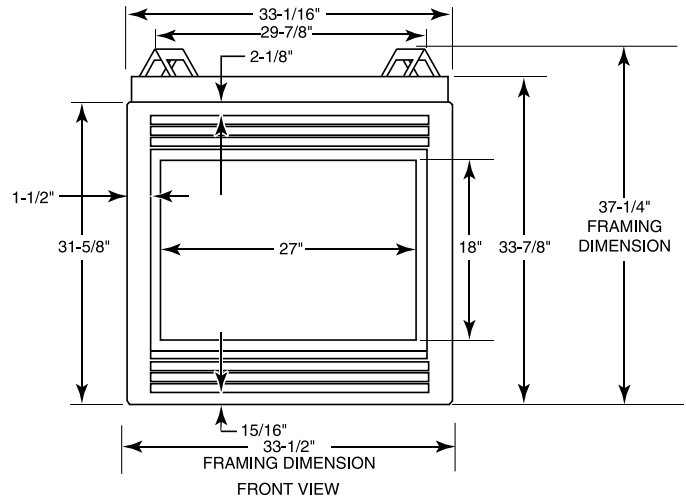
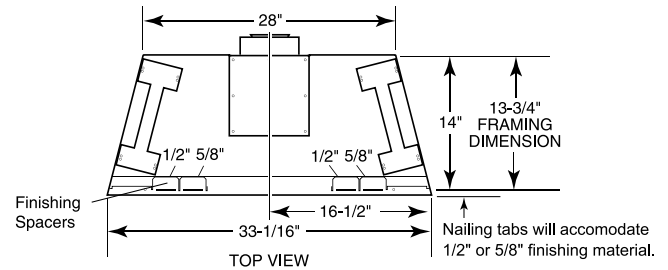
**TECHNICAL INFORMATION**

- Max. Btu Input: 21,000 BTU/HR
- Ignition System: Signature Command System
- Gas Type: Natural or LP
- Flue Type: Twist-Lock Pipe
- Termination: Rear/Top Vent Convertible
- Clearance to Flue for Interior: 3" Top, 1" Bottom and Sides\*\*
- Clearance to Flue for Outside Wall: 1"
- Clearance to Fireplace: 1/2"
- CSA Design Certified

**FIELD INSTALLED ACCESSORIES**

- Louvers: Polished Brass, Pewter
- Curved Trim: Brass, Pewter, Black
- Medium Trim Kit: Brass, Pewter, Black
- Variable Thermostat Controlled Forced Air Blower (160 cfm) - BLOT
- Fan & Cord: FK12 (160 cfm)
- FK12 Speed Control: SCVS
- Tavern Brown firebrick
- Cottage Red firebrick
- Mesh Glass Cover
- Ambient Technologies™ Remote Controls and Thermostats
- Wood Cabinet Surrounds
- Designer Facings

\*\*If vertical rise is 7-1/2 feet or higher when in top vent configuration only, the vent clearance to combustibles is 1" on all sides of the horizontal run.



A Brand of Monessen Hearth Systems Co.  
 149 Cleveland Drive, Paris, Kentucky 40361  
[www.majesticproducts.com](http://www.majesticproducts.com)



To avoid personal injury or property damage, the product described by this brochure must be installed, operated and maintained in strict compliance with the instructions packaged with the product and all applicable building or fire codes. Contact local building or fire officials about restrictions and installation inspection requirements. All photographs and drawings on this brochure are for illustrative purposes only and are not intended for, nor should they be used as a substitute for the instructions packaged with the unit. Appearance and specifications of the product are subject to change without notice. 11/10v.1