

PRODUCT SPECIFICATIONS

# 300DVBLSC(7) Solitaire Direct Vent System



### GLASS VIEWING AREA

27-1/64" W x 22 5/16" H (602 Square Inches)

### TECHNICAL INFORMATION

Max. Btu Input: 23,000 BTU/HR

Ignition System: Signature Command™ System

Gas Type: Natural or LP

Flue Type: Twist Lock

Termination: Top vent

Clearance to Flue for interior: 3" Top, 1" Bottom and Sides\*\*

Clearance to Flue for Outside Wall: 1"

Clearance to Fireplace: 1"

Minimum Vent Height Before Elbow: 12"

CSA Design Certified

### FIELD INSTALLED ACCESSORIES

Firebrick: Tavern Brown, Cottage Red or Olde English Herringbone

Variable Thermostat Controlled Dual Forced Air

Blower (160 cfm) - BLOTBLDV

Signature Command™ Dual Forced Air Blower (160 cfm) - BLOTBLDVSC

Andirons

Mesh Glass Cover

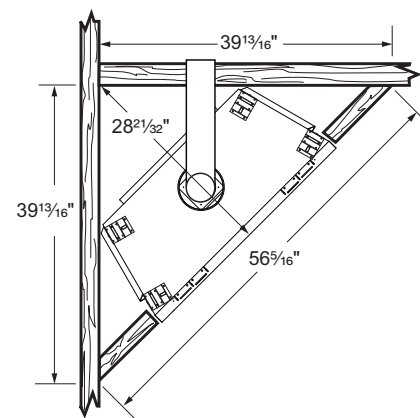
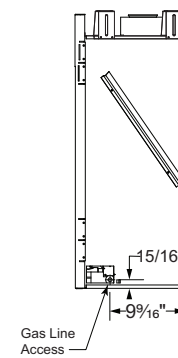
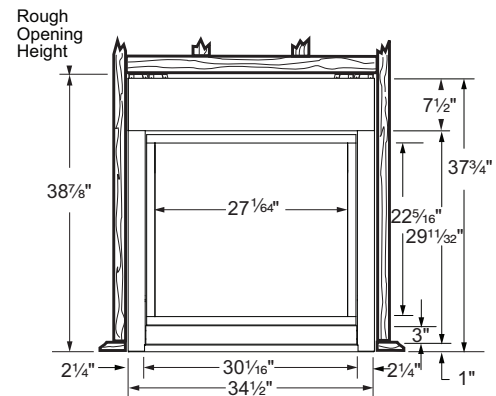
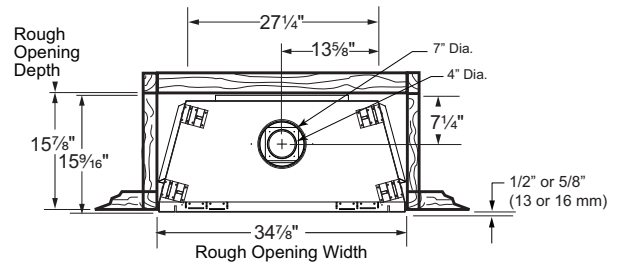
Ambient Technologies™ Remote Controls and Thermostats

Contemporary Stone Kit (requires porcelain liner)

Porcelain Black Liner Kit

New Glass options: Onyx, Diamond, Emerald, Sapphire, Bronze

\*\*If vertical rise is 7-1/2 feet or higher when in top vent configuration only, the vent clearance to combustibles is 1" on all sides of the horizontal run.



A Brand of Monessen Hearth Systems Co.  
149 Cleveland Drive, Paris, Kentucky 40361  
[www.majesticproducts.com](http://www.majesticproducts.com)



To avoid personal injury or property damage, the product described by this brochure must be installed, operated and maintained in strict compliance with the instructions packaged with the product and all applicable building or fire codes. Contact local building or fire officials about restrictions and installation inspection requirements. All photographs and drawings on this brochure are for illustrative purposes only and are not intended for, nor should they be used as a substitute for the instructions packaged with the unit. Appearance and specifications of the product are subject to change without notice. 07/10 v1