

PRODUCT SPECIFICATIONS

36CDVZRRN Tribute Direct Vent Gas Fireplaces



GLASS VIEWING AREA

29-1/2" W x 19" H (561 sq.in.)

TECHNICAL INFORMATION

Max. Btu Input: 14,700 - 21,000 (NG) 15,700 - 21,000 (LP)

36" clean face firebox

FE Ratings (Fireplace Efficiency): 66.9% NG / 66.9% LP

AFUE by D.O.E Ratings: 63% NG / LP

Thermal Efficiency: 76.5% NG / 78% LP

Dimensions (Actual): 35-1/4" (front width) / 25" (rear width) x 32-1/8" H x 16-5/8" D

Dimensions (Framing): 36-1/4" W x 35" H x 17-1/8" D

Uses 4" x 7" Twist Lock direct vent pipe

Attached 17' low voltage wire connected to valve for remote operation hook-up

18" flex line with On/Off shut-off valve included

CSA Design Certified

FIELD INSTALLED ACCESSORIES

Fan and Cord (160cfm) (FK12)

Ambient Technologies™ Remote Controls and Thermostats

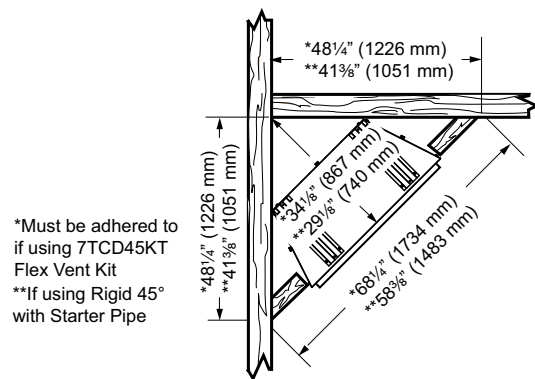
Variable Speed Control (SCVS)

Conversion Kit 36CDVZ to LP (20010507)

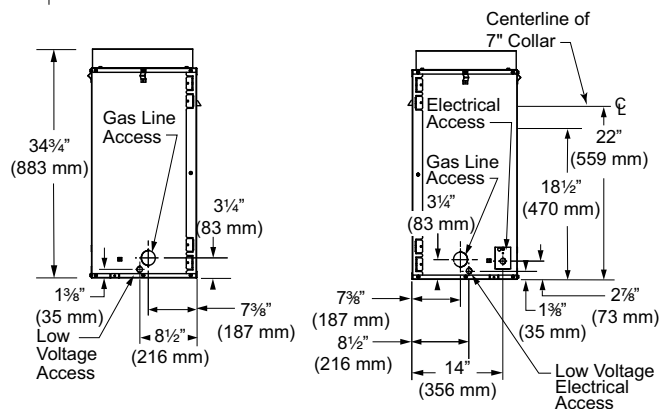
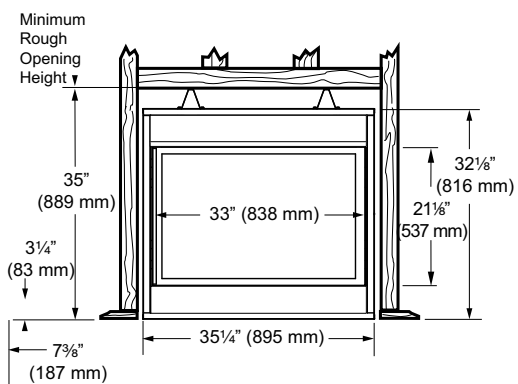
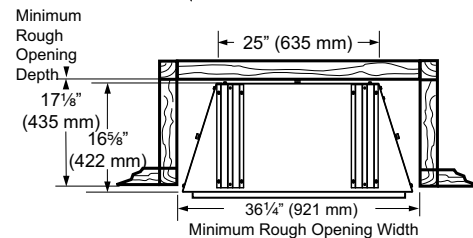
Perimeter Trim - Black (36CDVTK)

Vent Kits available: (7TCRVT) horizontal vent for 7"-13" horizontal length and (7TCRVT1320) horizontal vent kit for 13"-20" horizontal length

90 Degree Elbow (7TCDV90)



*Must be adhered to if using 7TCD45KT Flex Vent Kit
**If using Rigid 45° with Starter Pipe



A Brand of Monessen Hearth Systems Co.
149 Cleveland Drive, Paris, Kentucky 40361
www.majesticproducts.com



To avoid personal injury or property damage, the product described by this brochure must be installed, operated and maintained in strict compliance with the instructions packaged with the product and all applicable building or fire codes. Contact local building or fire officials about restrictions and installation inspection requirements. All photographs and drawings on this brochure are for illustrative purposes only and are not intended for, nor should they be used as a substitute for the instructions packaged with the unit. Appearance and specifications of the product are subject to change without notice. 11/09 v.1