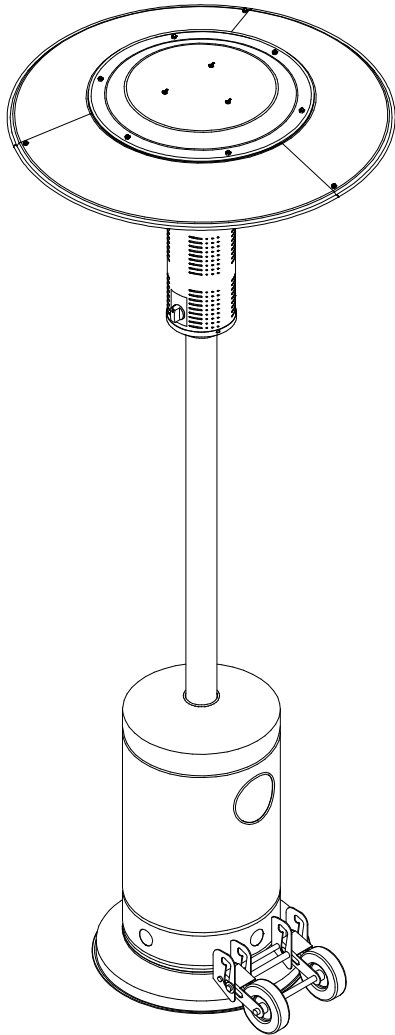




INSTALLATION INSTRUCTIONS AND OWNER'S MANUALS



OUTDOOR PATIO HEATER Model 920-0049

⚠ WARNING: Improper installation, adjustment, alteration, service or maintenance can cause property damage, injury or death. Read the installation, operating and maintenance instructions thoroughly before installing or servicing this equipment.

A statement:

- (a) Do not store a spare LP-gas cylinder under or near this appliance;
- (b) Never fill the cylinder beyond 80 percent full; and
- (c) For appliances designed to use a CGA No. 791 Connection: "Place the dust cap on the cylinder valve outlet whenever the cylinder is not in use. Only install the type of dust cap on the cylinder valve that is provided with the cylinder valve. Other types of caps or plugs may result in leakage of propane."

A10Y09P-1

WARNING: For Outdoor Use Only

IMPORTANT

Read this manual carefully before assembling, using or servicing this heater. Keep this manual for future reference. If you have questions about assembly, operation, servicing or repair of this heater, please call Nexgrill Industries., Inc at 1-866-984-7455

Table of Contents

Table of contents & Warning.....2-3
 Tools and parts needed for assembly.....4
 Assembly Instruction.....5-8
 Gas Requirement & Leak testing.....9
 Safety Checks.....10
 Location heater for use.....11-13
 Storage burner removal.....14
 Burner installation.....15
 Maintenance.....15
 Trouble Shooting.....16
 Part List.....17
 Limited Warranty.....18

General Safety Information

This manual contains important information about the assembly, operation and maintenance of this portable heater. General safety information Presented in these first few pages and is also located throughout the manual. Particular attention should be paid to information accompanied by the Safety alert symbols: DANGER, WARNING, CAUTION

Keep this manual for future reference and to educate new users of this Product. This manual should be read in conjunction with the labeling on the Product.

Safety precautions are essential when any mechanical or propane fueled Equipment is involved. These precautions are necessary when using, storing, and servicing. Using this equipment with the respect and caution Demanded will reduce the possibilities of personal injury or property damage

The following symbols shown below are used extensively throughout this Manuals. Always heed these precautions, as they are essential when using Any mechanical or fueled equipment.

DANGER

DANGER indicates an imminently hazardous situation which, if not avoided, will result in death or serious injury

WARNING

WARNING indicates a potentially hazardous situation which, if not avoided, could result in death or serious injury

CAUTION

DANGER indicates an imminently hazardous situation which, if not avoided, will result in death or serious injury

DANGER

If you smell gas:

1. Shut off gas to the appliance.
2. Extinguish any open flame.
3. If odor continues, keep away from the appliance and immediately call your gas supplier or fire department.

WARNING

Do not store or use gasoline or other flammable vapors and liquids in the vicinity of this or any other appliance.

An LP-cylinder not connected for use shall not be stored in the vicinity of this or any other appliance.

WARNING: For Outdoor Use Only

DANGER

Failure to comply with the precautions and instructions provided with this heater can result in death, serious bodily injury and property loss or damage from hazards of fire, explosion, burn, asphyxiation, and/or carbon monoxide poisoning.

Only persons who can understand and follow the instructions should use or service this heater.

If you need assistance or heater information such as an instruction manual or labels, contact the Coleman Co., Inc. [Nexgrill Industries, INC.](http://www.NexgrillIndustries.com)

DANGER

EXPLOSION - FIRE HAZARD

- Keep solid combustibles, such as building materials, paper or cardboard, a safe distance away from the heater as recommended by the instructions.
- Provide adequate clearances around air openings into the combustion chamber.
- Never use the heater in spaces which do or may contain volatile or airborne combustibles, or products such as gasoline, solvents, paint thinner, dust particles or unknown chemicals.
- During operation, this product can be a source of ignition. Keep heater area clear and free from combustible materials, gasoline, paint thinner, cleaning solvents and other flammable vapors and liquids. Do not use heater in areas with high dust content. Minimum heater clearances from combustible materials: 800mm from the sides and 1300mm from the top.

WARNING

We cannot foresee every use which may be made of our heaters. Check with your local fire safety authority if you have questions about heater use.

Other standards govern the use of fuel gases and heat producing products for specific uses. Your local authorities can advise you about these. When an appliance is for connection to a fixed piping system, the installation must conform with local codes or, in the absence of local codes, with the *National Fuel Gas Code, ANSI Z223.1/NFPA 54, Natural Gas and Propane Installation Code, CSA B149.1, or Propane Storage and Handling Code, B149.2.*

CAUTION

The cylinder used must include a collar to protect the cylinder valve

General Safety Information *continued.*

DANGER



• CARBON MONOXIDE HAZARD

- This heater is a combustion appliance. All combustion appliances produce carbon monoxide (CO) during the combustion process. This product is designed to produce extremely minute, non-hazardous amounts of CO if used and maintained in accordance with all warnings and instructions. Do not block air flow into or out of the heater.
- Carbon Monoxide (CO) poisoning produces flu-like symptoms, watery eyes, headaches, dizziness, fatigue and possibly death. You can't see it and you can't smell it. It's an invisible killer. If these symptoms are present during operation of this product **get fresh air immediately!**
- For outdoor use only.
- Never use inside house, or other unventilated or enclosed areas. This heater consumes air (oxygen). Do not use in unventilated or enclosed areas to avoid endangering your life.

WARNING

- This product is fueled by propane gas. Propane gas is invisible, odorless, and flammable. An odorant is normally added to help detect leaks and can be described as a "rotten egg" smell. The odorant can fade over time so leaking gas is not always detectable by smell alone.
- Propane gas is heavier than air and leaking propane will sink to the lowest level possible. It can ignite by ignition sources including matches, lighters, sparks or open flames of any kind many feet away from the original leak. Use only propane gas set up for vapor withdraw.
- Propane gas should be stored or used in compliance with local ordinances and codes or with ANSI/NFPA 58. Turn off propane when not in use.

CALIFORNIA PROPOSITION 65:

WARNING: Propane and by-products of combustion of propane contain chemicals known to the state of California to cause cancer, birth defects, or other reproductive harm.

DANGER



• EXPLOSION - FIRE HAZARD

- Never store propane near high heat, open flames, pilot lights, direct sunlight, other ignition sources or where temperatures exceed 120 degrees F (49°C).
- Propane is heavier than air and can accumulate in low places. If you smell gas, leave the area immediately.
- Never install or remove propane tank while heater is lighted, near flame, pilot lights, other ignition sources or while heater is hot to touch.
- This heater is red hot during use and can ignite flammables too close to the burner. Keep flammables at least 80cm from sides, 130cm from top. Keep gasoline and other flammable liquids and vapors well away from heater.
- The propane tank must always be stored outdoors in a well ventilated space. Never store propane tank in an enclosed area (house, garage, etc.). If heater is to be stored indoors, disconnect the propane tank for outdoor storage.

WARNING



• BURN HAZARD

- Never leave heater unattended when hot or in use.
- Keep out of reach of children.

CAUTION

• SERVICE SAFETY

- Keep all connections and fittings clean. Make sure propane tank valve outlet is clean.
- Inspect hose before use. Replace if there is evidence of abrasion or wear.
- During set up, check all connections and fittings for leaks using soapy water. Never use a flame.
- Use as a heating appliance only. Never alter in any way or use with any device or part not expressly approved by Coleman
- Check entire hose at least annually.

Nexgrill Industries, INC.

CAUTION

Instructions to the effect that this appliance shall be used only in a well-ventilated space and shall not be used in a building, garage or any other enclosed area.

An appliance may be installed with shelter no more inclusive than:

- (a) With walls on all sides, but with no overhead cover.
- (b) Within a partial enclosure which includes an overhead cover and no more than two side walls. These side walls may be parallel, as in a breezeway, or at right angles to each other.
- (c) Within a partial enclosure which includes an overhead cover and three side walls, as long as 30 percent or more of the horizontal periphery of the enclosure is permanently open.

A statement that the LP-gas supply cylinder to be used must be:

- (a) Constructed and marked in accordance with the *Specifications for LP-gas cylinders of the U.S. Department of Transportation (DOT)*; or the *Standard for Cylinders, Spheres and Tubes for Transportation of Dangerous Goods and Commission, CAN/CSA-B339*, as applicable;
- (b) Provided with a listed overfilling prevention device; and
- (c) Provided with a cylinder connection device compatible with the connection for the appliance.

PRECAUTIONS

- Do not use this patio heater in an explosive atmosphere. Keep heater away from areas where gasoline or other flammable liquids or vapors are stored.
- Prior to use, check for damaged parts such as hoses regulator, or burner.
- Do not attempt to alter unit in any manner. EXAMPLE: using the heater without the top canopy reflector or radiant screen. Do not shorten the burner post assembly.
- Heater must always be placed on a solid and level surface.
- Always maintain proper clearance to combustible materials. Top 800mm, Side 1300mm.
- Always assure there is ample fresh air ventilation for outdoors use ONLY.
- Never replace or substitute the regulator with any regulator other than the factory suggested replacement.
- Do not clean heater with cleaners that are combustible or corrosive
- Do not paint radiant screen, control panel or top canopy reflector.
- More frequent cleaning may be required as necessary. It is imperative that control compartment, burners and circulating air passage of the heater be kept clean.
- All leak tests should be done with a soapy solution **NEVER USE AN OPEN FLAME TO CHECK FOR LEAKS.**

- The LP tank should be turned off when the heater is not in use
- At least once a year, the unit should be inspected for the presence of spiders, spider webs or other insects. The burner area is a common spider haven and can damage the heater and render it unsafe for use, Check the heater immediately if any of the following exists:
 1. The smell of gas in conjunction with extreme yellow tipping of the burner flames
 2. The heater does not reach temperature.
 3. The burner makes a popping noise during use (a slight popping noise is normal when the burner is extinguished).
- The LP regulator/ hose assembly should be located out of pathways Where people may trip over it or in area where the hose will not be subject to accidental damage.
- Children and adults should be aware of hazards of high surface temperature and should stay away to avoid burns of clothing ignition.
- Young children should be carefully supervised when they are in the area of the heater.
- Clothing or other flammable material should not be hung from the heater, or placed on or near the heater.
- When applicable, visually checking portions of the hose assembly located within the confines of the heater post
- The cylinder must be provided with a shut off valve terminating in an LP-Gas supply cylinder valve outlet specified

TOOLS AND PARTS NEEDED FOR ASSEMBLY

NOTE: 20 pound (9.0 kgs), 5 Gallon (18.9 liters) LPG Tank is not supplied

Tools Needed:

- Phillips Head Screwdriver**
- Two Adjustable Opening Wrenches**
- Spray Bottle of Soapy Water (To check for leaks)**

Parts supplied:

Reflector Plate (1)	Gas Tank Supporting (1)
Reflector (3)	Gas Tank Enclosure Assembly (1)
Heater Head With PVC Hose Assembly (1)	LP Gas regulator with Hose (1)
Post (1)	Tank Hook (1)

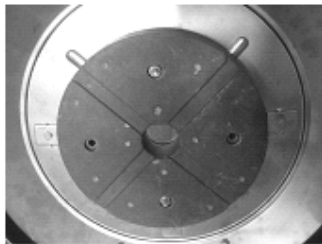
For Service Questions Replacement parts or other assistance, Please call Nexgrill Customer Service Hotline at: Nexgrill Industries, Inc
 5270 Edison Avenue, Chino, CA 91710
 1-866-984-7455

Assembly Instruction



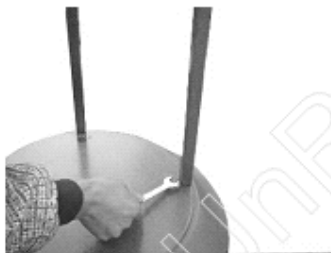
CAUTION

- Any guard or other protective device removed for servicing the heater must be replaced prior to operating the heater
- Installation and repair should be done by a qualified service person. The heater should be inspected before use and at least annually by a qualified service person.
- Keeping the ventilation openings of the cylinder enclosure free and clear from debris.



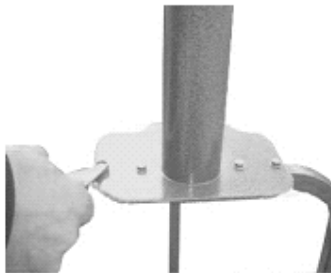
STEP 1:

Place the weight base at the bottom of the base and fasten with four screws.(see pictures beside.)



STEP 2.

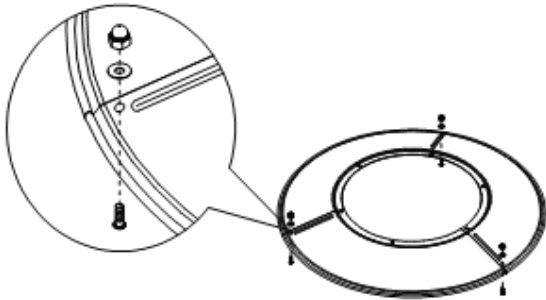
Attach body legs support to the base
Secure three body legs support to the base with hex heads bolts, fastened with spring washer, plain washer and nuts.



STEP 3.

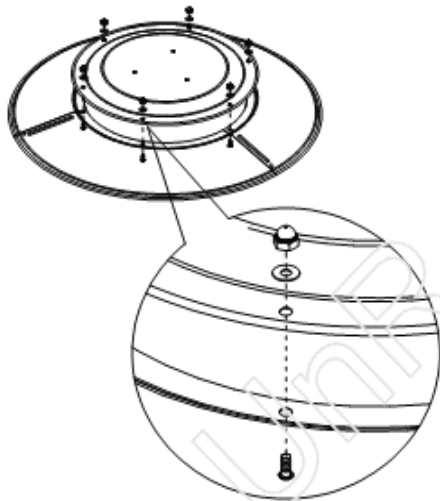
Put the post on the top of 3 pcs post brackets. Use 6 pcs M6 x 32 mm bolts and nuts to connect the post to the 3 pcs post brackets. fastened with spring washer, plain washer and nuts.

Assembly Instruction

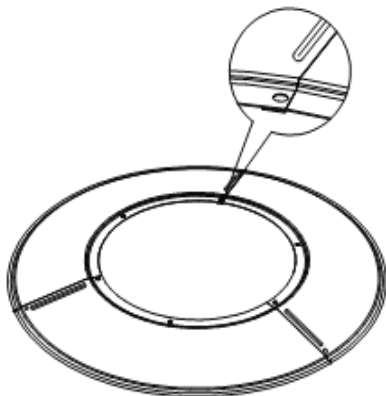


STEP 4. Reflector Assembly

1. Align the 3 pieces of partial reflectors and form a complete reflector as shown. Align the holes on the connecting poles with the holes on the reflector.



2. Align the holes on the reflector connecting plate with those on the reflector. Then, insert the screws from the bottom of the reflector and tighten with the connecting plate.



Attention: The reflector connecting plate will not be able to align with the reflector if the top edges of the 3 partial reflectors are overlapped (as shown on the left). Hence, the top edges of the 3 partial reflectors will need to be properly aligned before proceeding to STEP 3.

Assembly Instruction



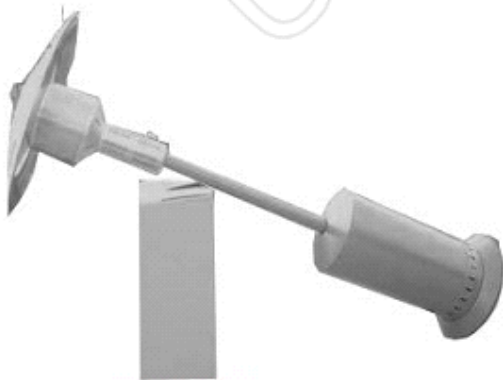
STEP 5.

Place the tank housing on the stand.



STEP 6:

Fit the gas hose/pipe nut to the burner gas inlet connector. Tighten the gas hose/pipe nut and gas inlet thread. Fix the completed burner unit to the post by 4 pcs bolts.



STEP 7:

Incline the heater first for easy assembly, Secure the reflector support bolts on flame screen cap with 3 pins.

Check whether the connection of vertical post and burner are assembled according to instructions, and all bolts and nuts are tightened.

Put washer ϕ 5 mm on each reflector support bolt.

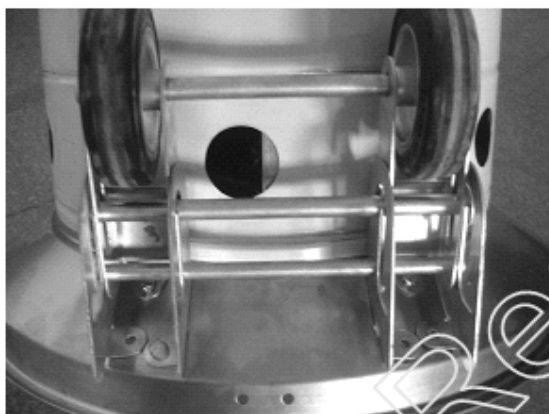
Fasten the reflector with 3 pcs washers and 3 pcs M5 mm dome nuts.

Assembly Instruction



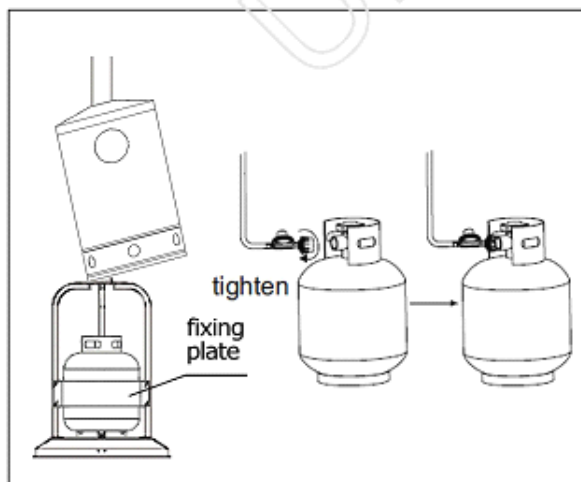
STEP 8:

Fit the gas hose/pipe nut to the burner gas inlet connector. Tighten the gas hose/pipe nut and gas inlet thread. Fix the completed burner unit to the post by 4 pcs bolts.



STEP 9:

Turn up the heater wheel first as picture shows, Attach the wheel assembly to the base with six screws fastened.



STEP 10:

Place the gas cylinder(not included) into the pole support and fix it with fixing plate. Then attach the regulator to the cylinder. Turn clockwise to tighten it securely. Then place the cylinder back into the position.

Note: Make sure to check for leak once replacing cylinder(instruction refer to the section "leakage test")

GAS REQUIREMENTS & LEAK TESTING

NEVER CONNECT AN UNREGULATED GAS SUPPLY TO THE HEATER

PRECAUTIONS

- Periodically check the whole gas system for leaks or immediately check if the smell of gas is detected
- Extinguish all open flames.
- Never leak test while smoking.
- If you cannot stop a leak, turn off the gas supply and call the Customer Service hotline, the dealer where you made the purchase or your gas supplier.
- The heater must be checked with a full cylinder.
- Do not use the heater until all connections have been leak tested and do not leak.
- Only those parts recommended by the manufacturer should be used. Substitution will void the warranty.

GAS REQUIREMENTS

- **Maximum inlet pressure to propane regulator must not exceed 100 PSI.**
- A minimum supply pressure of 11.0 W.C. is required for the purpose of input adjustment for propane gas. Manifold pressure should be maintained in 10.0 inch W.C.
- The pressure regulator and hose assembly supplied with the appliance must be used. Replacement pressure regulator and hose must be specified by the appliance manufacturer.
- The heater comes equipped with a hose assembly for hook-up to a standard 20LB propane cylinder ((18-1/4" high, 12-1/4" diameter). The propane tank is not included.
- A dented, rusted or damaged propane tank may be hazardous and should be checked by your tank supplier. Never use a propane tank with a damaged valve connection.

- The propane tank must be constructed and marked in accordance with the specifications for LP gas cylinders of the US Department Of Transportation (DOT)
- The propane tank must be arranged to provide for vapor withdrawal from the operating cylinder
- Never connect an unregulated propane tank to the heater

LEAK TESTING

- Gas connections on the heater are leak tested at the factory prior to shipment. A complete gas tightness check must be performed at the installation on site due to possible mis-handling in shipment or excessive pressure being applied to the heater.

TO LEAK TEST

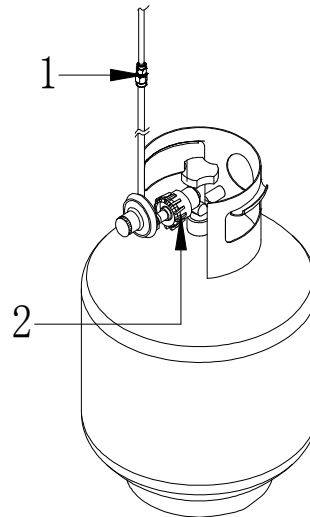
- Make a soap solution of one part liquid detergent and one part water. The solution can be applied with a spray bottle brush or rag. Soap bubbles will appear where a leak is present
- Make certain the safety control valve is in the 'OFF' position
- Turn the gas supply 'ON'.
- If a leak is present turn 'OFF' the gas supply, tighten any leaking fitting, turn gas supply 'ON' and recheck.
- The gas supply must be turned off at the LP-gas supply cylinder when this appliance is not in use.

SAFETY CHECKS

STEP 1:

1. Check connection from regulator to propane tank connection. Remember, the connection is a left-hand thread. (See diagram for Step 1)
2. Check all connections on the hose regulator assembly. (See diagram for Step 1)
3. Check intake hose for kink or in a position that could cause it to kink. Hand tighten the connection to the gas tank. (See diagram for Step 1)

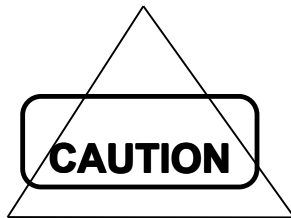
NOTE: The remaining connections are to be tested after the heater has been lit.



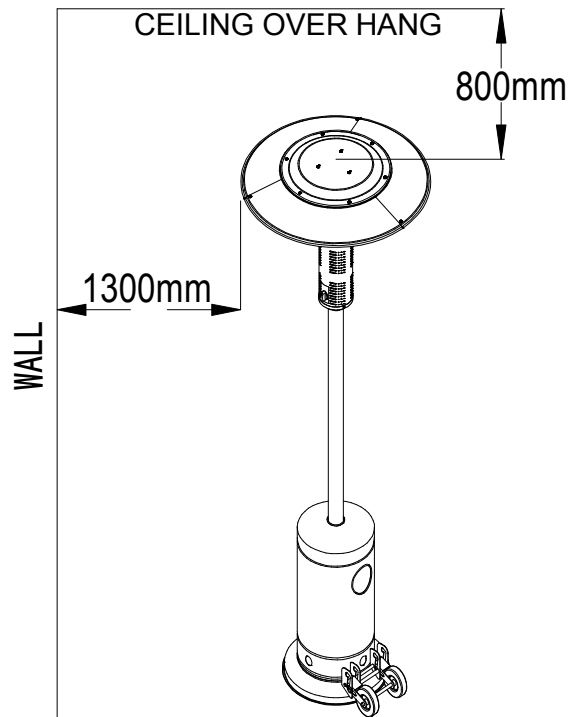
LOCATING HEATER FOR USE

● **BE CAREFUL:** When certain materials or items are left under this heater, while in use, they will be subjected to radiant heat and could be seriously damaged.

- The unit is designed for heating outdoor patios, decks, spas, pool and working areas.
- Always ensure that adequate fresh air ventilation is provided. Follow the spacing tolerances shown in the diagram below.
- The minimum clearances to combustible construction shown in Figure 1 must be maintained at all times
- The installation must conform to local codes or in the absence of local codes with the standard for the storage and handling of liquid petroleum gases:
- The heater must be placed on level firm ground.
- Never operate in an explosive atmosphere. Keep away from areas where gasoline or other flammable liquids or vapors are stored or used.



During strong and windy weather, turn off the heater and the gas cylinder valve. Remove the heater reflector hood then move the heater to a sheltered location. Caution do not move heater while it is still hot.



LOCATING HEATER FOR USE

BEFORE TURNING THE GAS SUPPLY 'ON' :

Visually inspect the hose assembly for evidence of excessive abrasion cuts or wear. If the hose leaks it must be replaced prior to use. Any hose replacement must be specified by the manufacturer. See parts list or details, then call Customer Service hotline.

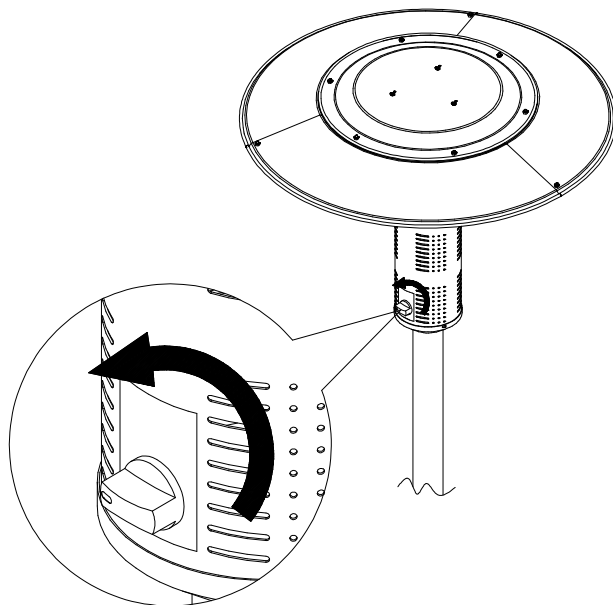
Is the surrounding area free of combustible materials, gasoline and other flammable vapors or liquids?

BEFORE LIGHTING:

For your safety, if re-lighting a hot heater. Always wait at least five (5) minutes.

TO LIGHT:

- (A) Open tank enclosure door.
- (B) Make certain hose is connected to the heater intake hose and regulator is connected to the propane tank. Check both connections to ensure they are tight and leak proof.
- (C) Turn supply tank valve in a counter clockwise direction. Check for leaks by applying soapy water to the tank and hose connections.
- (D) Push and slowly turn the gas control knob to the "IGNITE/HI" position (see diagram below). Keep pushing the knob for 3-5 seconds until the heater stays lit. Select the desired heat level by adjusting the knob from "IGNITE/HI" to "LO" after the heater is lit.
- (E) If ignition does not occur, push and turn the knob to the "OFF" position and repeat step "(C)" up to 3 times.
- (F) If ignition still does not occur, push and turn the knob to the "OFF" position, wait 5 minutes for the accumulated gas to dissipate, and then repeat steps D and E.



CAUTION: Avoid inhaling fumes emitted from the heater's first use. Smoke and odor from the burning of oils used in manufacturing will appear. Both smoke and odor will dissipate after approximately 30 minutes. The heater should NOT produce thick black smoke.

LOCATING HEATER FOR USE

WHEN HEATER IS ON:

- The emitter screen will become bright due to intense heat. The color is more visible at night.
- The burner will display tongues of blue flame. These flames should not be all yellow or produce thick black smoke, indicating an obstruction of airflow through the burners. The flame should be blue with straight yellow tops.
- The flame pattern at the emitter grid should be visually checked whenever heater is operated (see figure 1). If flames extend more than 1/2 inch (12.7mm) beyond surface of the emitter grid or reflector the heater should be turned off immediately and the heater should not be operated again until repairs are made.

FIGURE 1
NORMAL FLAME POSITION

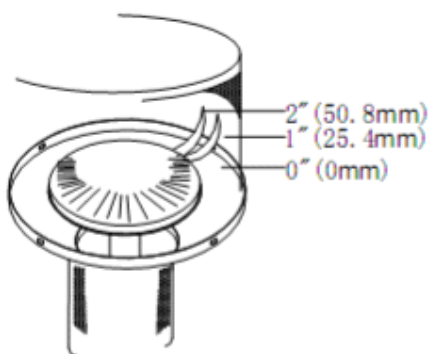
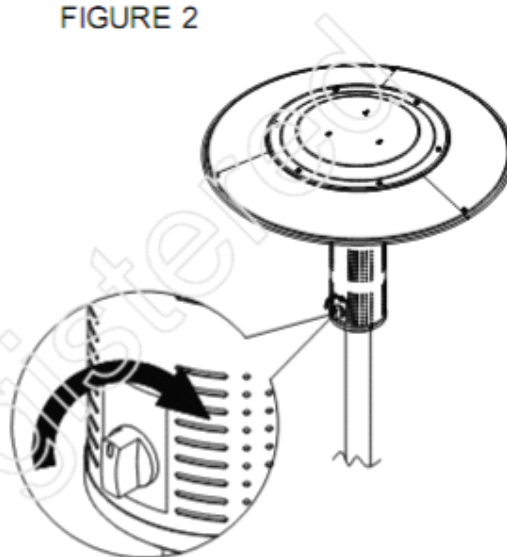


FIGURE 2



RELIGHTING

- Turn the control knob to off position.
- Wait five (5) minutes for gas to dissipate before attempting to relight the burner.
- Repeat steps beginning with step (D) on the previous page (Page. 12).

SHUT DOWN INSTRUCTIONS:

- Turn control knob clockwise to 'OFF' position (see above figure 2). The burner may make a slight popping sound when extinguished. This is normal.
- Turn propane tank gas valve clockwise to 'OFF' position when heater is not in use.

CAUTION : This patio Heater contains a Tilt Safety Switch which is designed to provide safe use of the patio heater. The tilt safety switch will automatically shut-off the heater when it tilts in the tip angle over 45-60 degrees from vertical position.

STORAGE BURNER REMOVAL

WHEN STORING THE HEATER THE CONNECTION BETWEEN THE PROPANE TANK AND THE HEATER MUST BE DISCONNECTED AND THE PROPANE TANK REMOVED FROM THE ENCLOSURE AND STORED OUTDOOR IN A WELL VENTILATED AREA OR IN ACCORDANCE WITH CHAPTER 5 OF THE STANDARD FOR THE STORAGE AND HANDLING OF LIQUEFIED GASES, ANSI/NFPA 58-1998.

CLEANING:

Your heater will last longer if maintained properly. It is important that the flow of combustion air must never be obstructed. Orifice and air openings must be kept free of dirt and spider webs. Never use a cleaning agent which is flammable or corrosive.

It is recommended that the heater body components; from the burner head down, are periodically protected with a coat of automobile wax .

If repainting is necessary, paint only the post/base assembly. Never paint the reflector, emitter assembly the safety control valve cylinder, valve panel or instruction plate on post.

The posts of the burner must remain clean so that the gas flow is unrestricted. The air inlet of the venture tube must also be kept clean for combustion air supply if the heater is not performing properly it may be necessary to clean the burner (see burner removal).

BURNER REMOVAL:

1. Remove reflector and emitter assembly by removal of the screws that fasten the emitter assembly to the lower screen cone .
2. Remove the burner by unscrewing the burner from the top of the valve body.

Any debris in the opening of the burner assembly can be cleared with a straightened piece of coat hanger. Any rust can be removed carefully with a wire brush. Never use a piece of wood or other materials that might break off and block the ports.

Caution: Bugs and small insects easily get into the burner, gas orifice. Check the unit before using after extended storage.

Tips: Lighting the Patio Heater once a month will ensure your heater remains in good working condition.

BURNER INSTALLATION

BURNER INSTALLATION

Install the burner assembly by reversing the four (4) steps used for disassembly making certain the burner assembly stands centered when complete.

After reassembly, the heater should be test fired. Observe the burner flame. The flame should be blue with a slight yellow tipping.

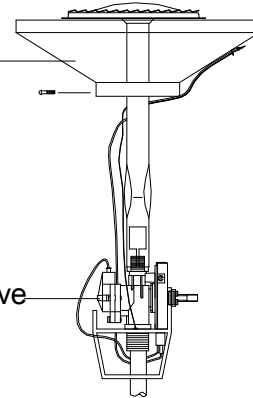
BEWARE OF SPIDERS



CAUTION : BURNER TUBES MUST BE INSPECTED AND CLEANED BEFORE FIRST USE

Spiders and small insects occasionally spin webs or make nests in the burner tubes and orifices during warehousing and transit. These webs or nests can lead to a gas flow obstruction which could result in a fire on or around the burner tubes. This type of fire is known as FLASH BACK and can cause serious damage to your patio heater and create an unsafe operating condition for the user. Although an obstructed burner tube is not the only cause of FLASH BACK it is the most common cause and frequent inspections and cleaning of the burner tubes is necessary .

Loeër Cone
Cylinder



Safety Valve
Cylinder

MAINTENANCE

To enjoy years of outstanding performance from your heater, make sure you perform the following maintenance activities on a regular basis:

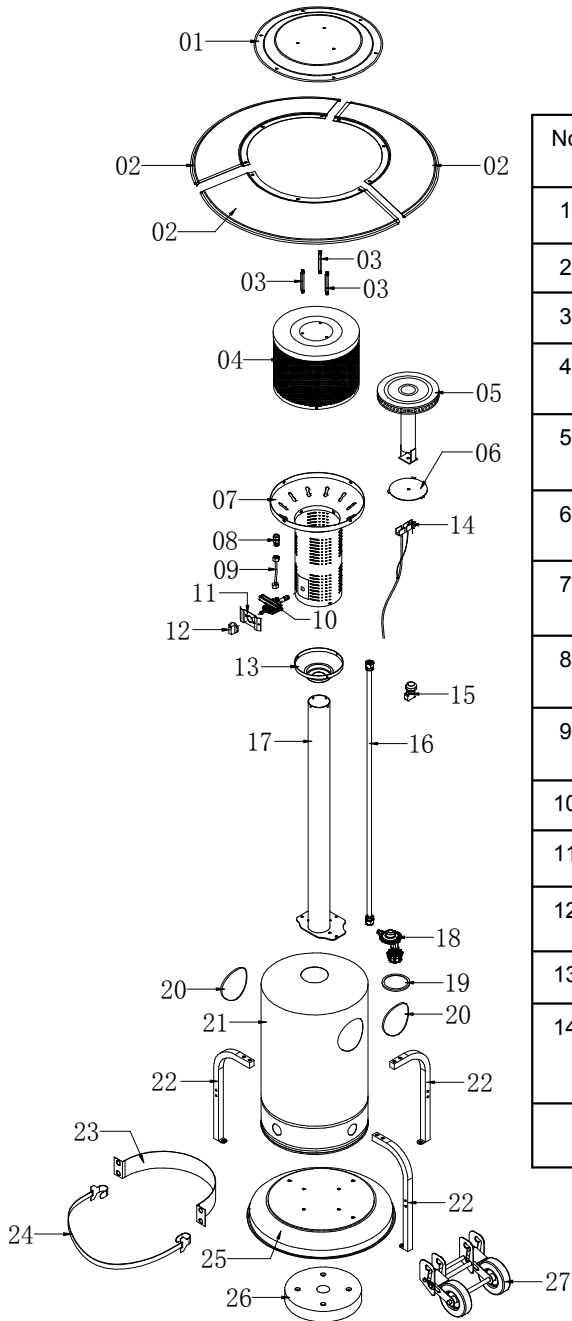
- Keep exterior surfaces clean
- Use warm soapy water for cleaning. Never use flammable or corrosive cleaning agents.
- While cleaning you unit, be sure to keep the area around the burner dry at all times. Do not submerge the control valve assembly. If the gas control is submerged in water, do NOT use it. It must be replaced
- Air flow must be unobstructed. Keep controls, burner, and circulating air passageways clean. Sign of possible blockage include:
 - Gas odor with extreme yellow tipping of flame
 - Heater does NOT reach the desired temperature
 - Heater glow is excessively uneven
 - Heater makes popping noises
- Spiders and insects can nest in burner or orifices. This dangerous condition can damage heater and render it unsafe for use. Clean burner holes by using a heavy-duty pipe cleaner. Compressed air may help clear away smaller particles.
- Carbon deposits may create a fire hazard. Clean dome and emitter with warm soapy water if any carbon deposits develop

Noted: In a salt-environment (such as near an ocean), corrosion occurs more quickly than normal. Frequently check for corroded areas and repair them promptly.

TROUBLE SHOOTING

Problem	Possible Causes	Correction
Igniter did not spark	<ul style="list-style-type: none"> ■ Igniter electrode positioned wrong ■ Igniter electrode broken ■ Igniter cable pinched or broken ■ Igniter cable not connected to gas control 	<ul style="list-style-type: none"> ■ Correct electrode position ■ Replace electrode ■ Free igniter cable, if damaged replace assembly ■ Connect cable to igniter
Main burner won't light	<ul style="list-style-type: none"> ■ Low gas pressure ■ Blockage in burner orifice ■ Control knob not in 'ON' position ■ Thermocouple bad ■ Pilot assembly bent ■ Not correct location 	<ul style="list-style-type: none"> ■ Check gas supply pressure ■ Clean burner orifice ■ Turn control knob to 'ON' position ■ Replace thermocouple ■ Place pilot properly ■ Position properly then try again
Burner flame is low	<ul style="list-style-type: none"> ■ Supply hose is bent or twisted 	<ul style="list-style-type: none"> ■ Straighten hose and perform leak test on hose
Emitter glows uneven	<ul style="list-style-type: none"> ■ Low gas pressure ■ Base is not on a level surface 	<ul style="list-style-type: none"> ■ Replace LPG gas cylinder with a new one ■ Move the heater on a level surface
Thick black smoke	<ul style="list-style-type: none"> ■ Blockage in burner 	<ul style="list-style-type: none"> ■ Turn off the heater, while the heater cool down, clean it and remove the blockage.
Carbon deposit buildup	<ul style="list-style-type: none"> ■ Dirt or film on reflector and flame screen 	<ul style="list-style-type: none"> ■ Clean the reflector and screen

Part List



No	Description	Qty	No	Description	Qty
1	Reflector plate	1	15	Tip switch	1
2	Reflector	3	16	Gas hose	1
3	Threaded Ends Stud	3	17	Post	1
4	Emitter grid	1	18	Regulator, LP	1
5	Main burner assembly	3	19	Rubber ring A	1
6	Fixing tray of switch	1	20	Rubber ring B	2
7	Control house with emitter base	1	21	Tank enclosure	1
8	Orifice	1	22	Tank enclosure support leg	3
9	Flex gas line	1	23	Tank supporting ring	1
10	Gas Valve	1	24	Tank hook	1
11	Control knob bracket	1	25	Tank base	1
12	Control knob	1	26	Weight base	1
13	Control house base	1	27	Wheel assembly	1
14	Igniter wire with Pilot and Thermocouple assembly	1	28	KD Hardware Pack	1
			29	Manual	1

LIMITED WARRANTY

LIMITED WARRANTY (Model # 920-0049, Gas-Fired Infrared Outdoor Patio Heater)

The manufacturer warrants to the original consumer-purchaser only that this product (Model #920-0029) shall be free from defects in workmanship and materials after correct assembly and under normal and reasonable conditions for the periods indicated below beginning on the date of purchase. The manufacturer reserves the right to require photographic evidence of damage, or that defective parts be returned, postage and/ or freight pre-paid by the consumer, for review and examination.

RESIDENTIAL USE ONLY:

- **BURNER:** 3 year *LIMITED* warranty;
- **GAS VALVE:** 1 year *LIMITED* warranty;
- **ALL OTHER PARTS:** 1 year *LIMITED* warranty (Includes, but not limited to, frame, housing, cart, knob, igniter, regulator, hoses) **Does not cover chipping, scratching, cracking surface corrosion, scratches or rust.*

COMMERCIAL USE ONLY:

- **BURNER:** 90-day *LIMITED* warranty;
- **GAS VALVE:** 90-day *LIMITED* warranty;
- **ALL OTHER PARTS:** 90-day *LIMITED* warranty (Includes, but not limited to, frame, housing, cart, knob, igniter, regulator, hoses) **Does not cover chipping, scratching, cracking surface corrosion, scratches or rust.*

Upon consumer supplying proof of purchase as provided herein, Manufacturer will repair or replace the parts which are proven defective during the applicable warranty period. Parts required to complete such repair or replacement shall be free of charge to you except for shipping costs, as long as the purchaser is within the warranty period from the original date of purchase. The original consumer-purchaser will be responsible for all shipping and customs charges of parts replaced under the terms of this limited warranty. This limited warranty is applicable in the United States and Canada only, is only available to the original owner of the product and is *not transferable*. Manufacturer requires reasonable proof of your date of purchase. Therefore, you should retain your sales receipt and/or invoice. If the unit was received as a gift, please ask the gift-giver to send in the receipt on your behalf, to the below address. Defective or missing parts subject to this limited warranty will not be replaced without registration or proof of purchase. This limited warranty applies to the functionality of the product **ONLY** and does not cover cosmetic issues such as scratches, dents, corruptions or discoloring by heat, abrasive and chemical cleaners or any tools used in the assembly or installation of the appliance, surface rust, or the discoloration of stainless steel surfaces. Surface rust, corrosion, or powder paint chipping on metal parts that does not affect the structural integrity of the product is not considered a defect in workmanship or material and is not covered by this warranty. This limited warranty will not reimburse you for the cost of any inconvenience, food, personal injury or property damage. If an original replacement part is not available, a comparable replacement part will be sent. You will be responsible for all shipping charges of parts replaced under the terms of this limited warranty.

MANUFACTURER WILL NOT PAY FOR:

- Service calls to your home.
- Repairs when your product is used for other than normal, single-family household or residential use.
- Damage resulting from accident, alteration, misuse, lack of maintenance/cleaning, abuse, fire, flood, acts of God, improper installation, and installation not in accordance with electrical or plumbing codes or misuse of product.
- Any food loss due to product failures.
- Replacement parts or repair labor costs for units operated outside the United States or Canada.
- Pickup and delivery of your product.
- Postage fees or photo processing fees for photos sent in as documentation.
- Repairs to parts or systems resulting from unauthorized modifications made to the product.
- The removal and/or reinstallation of your product.
- Shipping cost, standard or expedited, for warranty/non warranty and replacement parts.

DISCLAIMER OF IMPLIED WARRANTIES; LIMITATION OF REMEDIES

Repair or replacement of defective parts is your exclusive remedy under the terms of this limited warranty. Manufacturer will not be responsible for any consequential or incidental damages arising from the breach of either this limited warranty or any applicable implied warranty, or for failure or damage resulting from acts of God, improper care and maintenance, grease fire, accident, alteration, replacement of parts by anyone other than manufacturer, misuse, transportation, commercial use, abuse, hostile environments (inclement weather, acts of nature, animal tampering), improper installation or installation not in accordance with local codes or printed manufacturer instructions.

THIS LIMITED WARRANTY IS THE SOLE EXPRESS WARRANTY GIVEN BY THE MANUFACTURER. NO PRODUCT PERFORMANCE SPECIFICATION OR DESCRIPTION WHEREVER APPEARING IS WARRANTED BY MANUFACTURER EXCEPT TO THE EXTENT SET FORTH IN THIS LIMITED WARRANTY. ANY IMPLIED WARRANTY PROTECTION ARISING UNDER THE LAWS OF ANY STATE, INCLUDING IMPLIED WARRANTY OF MERCHANTABILITY OR FITNESS FOR A PARTICULAR PURPOSE OR USE, IS HEREBY LIMITED IN DURATION TO THE DURATION OF THIS LIMITED WARRANTY.

Neither dealers nor the retail establishment selling this product has any authority to make any additional warranties or to promise remedies in addition to or inconsistent with those stated above. Manufacturer's maximum liability, in any event, shall not exceed the documented purchase price of the product paid by the original consumer. This warranty only applies to units purchased from an authorized retailer and or re-seller. NOTE: Some states or provinces do not allow an exclusion or limitation of incidental or consequential damages, so some of the above limitations or exclusions may not apply to you; this limited warranty gives you specific legal rights as set for herein. You may also have other rights which vary from state to state or province to province.

If you wish to obtain performance of any obligation under this limited warranty, you should write to:

Nexgrill Customer Relations

5270 Edison Avenue,
Chino, CA 91710

All consumer returns, parts orders, general questions, and troubleshooting assistance may be acquired by calling 1-866-984-7455.

Please register your product online at:

www.NEXGRILL.com

(If you register online, you do not need to send in this registration card.)

Please fill out this card and return it within 10 days of purchase to accommodate customer and service inquiries to the manufacturer. Failure to return the card may delay response time and/or complicate response to customer inquiries. Remember to keep your sales receipt. The warranty is non-transferable. Customers should include a copy of their original sales receipt as proof of purchase. The receipt should be mailed along with the registration card; or mailed after the online registration is completed, along with a printed confirmation.

Llene por favor esta tarjeta y lo vuelva dentro de 10 días de la compra a acomodar las indagaciones de cliente y servicio al fabricante. El fracaso para volver la tarjeta puede demorar el tiempo de respuesta y/o complicar la respuesta a indagaciones de cliente. Recuerde de mantener su recibo de ventas. La garantía es intransferible. Los clientes deben incluir una copia de su recibo original de ventas como comprobante de compra. El recibo debe ser enviado junto con la tarjeta de matrícula; o enviado después de que la matrícula en el internet sea competida, junto con una confirmación impresa.

Veuillez remplir cette carte et la renvoyer dans les dix jours après votre achat à l'attention du service clientèle et réclamations du fabricant. Ne pas renvoyer la carte pourrait retarder ou compliquer la procédure lors de toute réclamation. N'oubliez pas de garder votre ticket de caisse lors de l'achat. La garantie est non transférable. Le client doit joindre une copie de son ticket de caisse original comme preuve d'achat. Le ticket doit être renvoyé avec la carte de garantie; ou après l'enregistrement complété en ligne sur internet, de pair avec une copie imprimée de la confirmation.

1 First Name/Nombre/Prénom Initial/Inicial/Initiale Last Name/Apellido/Nom de famille

Address (number and street)/Dirección (número y calle)/Adresse (numéro et rue) Apt Number/Nº de apart./Nº d'appt.

City/Ciudad/Ville State/Estado/Province Zip Code/Código zip/Code postal

2 E-mail Address/Dirección de correo electrónico/Adresse électronique

*If you voluntarily provide us with your email address, you give us permission to use your email address to send you offers that may interest you.
Si nos informa voluntariamente su dirección de correo electrónico, nos da permiso para usarlo a fin de enviarle ofertas que pueden interesarle.
Si vous choisissez de nous fournir votre adresse électronique, vous nous donnez la permission de l'utiliser pour vous faire part d'offres spéciales susceptibles de vous intéresser.*

(Example: your.name@your.host.com) (Ejemplo: su nombre@su host.com) (Exemple: votre nom@votre hôte.com)

3 Phone Number/Número telefónico/Numéro de téléphone

4 **IMPORTANT! / ¡IMPORTANTE! / IMPORTANT!**

*Write Serial Number and Model Number in spaces below.
Escribe en los espacios de abajo el número de serie y el número de modelo.
Inscrivez le numéro de série et le numéro de modèle dans les espaces ci-dessous.*

5 Date of Purchase/Fecha de compra/Date de l'achat

6 Store Name/Nombre de la tienda/Nom du magasin

7 Purchase Price/Precio de compra/Prix d'achat

\$ _____ .00

Mail to:/Envíelo a:

Warranty Registration Department
5270 Edison Avenue,
Chino, CA 91710