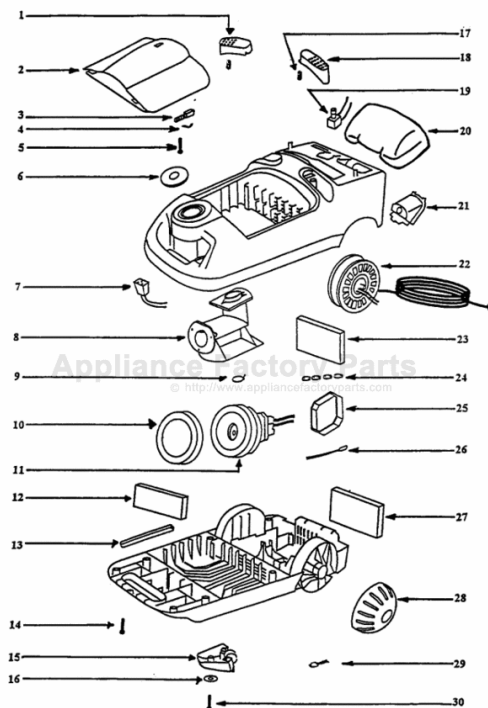


Eureka 6878A Owner's Manual

[Shop genuine replacement parts for Eureka 6878A](#)



7/99

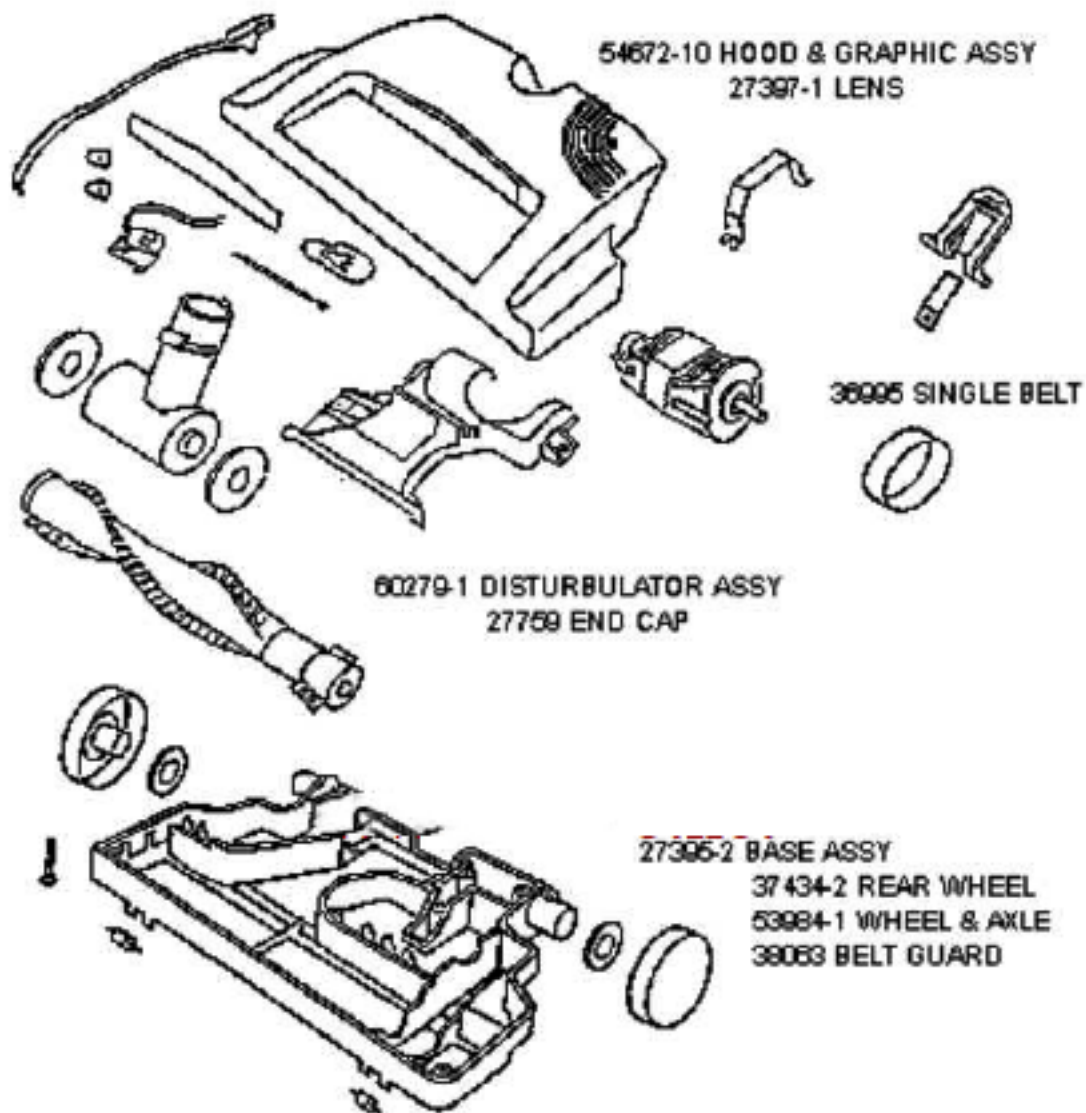
[Find Your Eureka Vacuum Cleaner Parts - Select From 855 Models](#)

----- Manual continues below part list -----

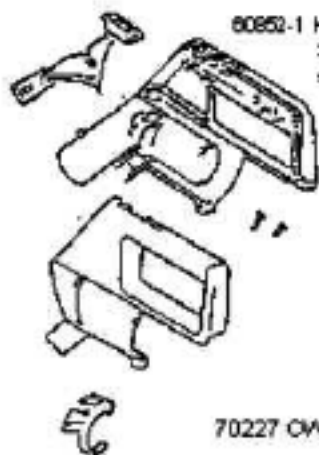
Available Replacement Parts for Eureka 6878A

| | |
|---------------------------|----------------------------------------|
| ER-1050 | BELT, EUREKA 1 PACK |
| E-37657 | FILTER, CANISTER, 1PK |
| ER-2017 | BRUSH ROLLER ROLL 54325-1 |
| ER-1492 | EUREKA STYLE V DVC PAPER BAGS (3 PACK) |
| FA-3500 | LIGHT BULB, 25 WATT |
| E-27237-3 | CREVICE TOOL |

| Ref # | Part | Description | Comments | Qty |
|-------|--------------|---------------------------|----------|-----|
| 1 | 14656-22 | CORD REEL ASSEMBLY | | |
| 2 | 14905A-119N | PLATE - HOSE | | |
| 3 | 26730-8 | CONNECTOR & WIRE ASSEMBLY | | |
| 4 | 27363-119NSV | BUTTON | | |
| 5 | 27366-1 | WHEEL - REAR | | |
| 6 | 27367-1 | GUIDE - CORD | | |
| 7 | 27380B-119N | SEAL - SWIVEL HOSE | | |
| 8 | 28032 | GASKET - MOTOR MOUNTING | | |
| 9 | 36341-2 | SWITCH - PUSH | | |
| 10 | 37403-1 | CASTER | | |
| 11 | 37657 | FILTER - MOTOR | | |
| 12 | 37710-1 | FILTER - EXHAUST | | |
| 13 | 37761A-1 | BAG INDICATOR ASSEMBLY | | |
| 14 | 37966 | SOUND FOAM | | |
| 15 | 46713-1 | TIE - CABLE (PURCHASED) | | |
| 16 | 53197-1 | SCREW PACKAGE | | |
| 17 | 53238-1 | SCREW PACKAGE | | |
| 18 | 53238-8 | SCREW PACKAGE | | |
| 19 | 54635-13 | BAG COVER & GRAPHICS - PK | | |
| 20 | 55463 | GASKET - MOTOR STACK | | |
| 21 | 55794 | SPRING | | |
| 22 | 56326-1 | TUBE - WIRE | | |
| 23 | 56376 | WASHER | | |
| 24 | 56750-1 | CLIP - BAG INDICATOR | | |
| 25 | 57691-2 | WIRE & TERMINAL ASSEMBLY | | |
| 26 | 58764 | TOOL PAK COVER ASSEMBLY | | |
| 27 | 59717 | THERMOSTAT & TERMINAL ASS | | |
| 28 | 60192-1 | WIRE SPLICE 5 | | |
| 29 | 60261-4 | MOTOR ASSEMBLY - PACKAGED | | |

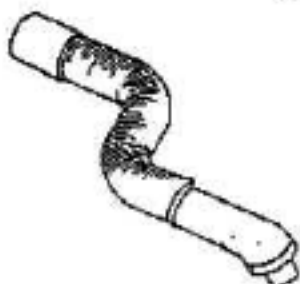


| Ref # | Part | Description | Comments | Qty |
|-------|----------|---------------------------|----------|-----|
| 1 | 14940-1 | PEDAL - FOOT | | |
| 2 | 27395-2 | POWERHEAD HOOD/BASE KIT | | |
| 3 | 27397-1 | LENS - HOOD | | |
| 4 | 27398-1 | AIR DUCT COVER ASSEMBLY | | |
| 5 | 27759 | CAP - DISTURBULATOR | | |
| 6 | 35995 | BELT - DRIVE | | |
| 7 | 37434-2 | WHEEL - REAR | | |
| 8 | 37751-3 | DISCONTINUED. | | |
| 9 | 38063 | GUARD - BELT | | |
| 10 | 38377 | STRAP - MOTOR | | |
| 11 | 38379-2 | HANDLE SOCKET ASSEMBLY | | |
| 12 | 38484-1 | HEADLIGHT SOCKET ASSEMBLY | | |
| 13 | 53238-8 | SCREW PACKAGE | | |
| 14 | 53984-1 | WHEEL & AXLE PACKAGE - FR | | |
| 15 | 54343-1 | MOTOR ASSEMBLY - PACKAGED | | |
| 16 | 54672-10 | HOOD & GRAPHICS ASSY - PK | | |
| 17 | 56180 | FELT WASHER | | |
| 18 | 57421-2 | WIRE & TERMINAL ASSEMBLY | | |
| 19 | 57993 | GASKET - FELT | | |
| 20 | 58065 | BELT - STYLE AR | | |
| 21 | 58169 | SPRING | | |
| 22 | 59045 | HEADLIGHT | | |
| 23 | 60192-1 | WIRE SPLICE 5 | | |
| 24 | 60279-1 | DISTURBULATOR ASSY - CTND | | |



00852-1 HOSE HANDLE COMPLETE
 38346-1 SWITCH & CONNECTOR ASSY
 53257-1 SCREW

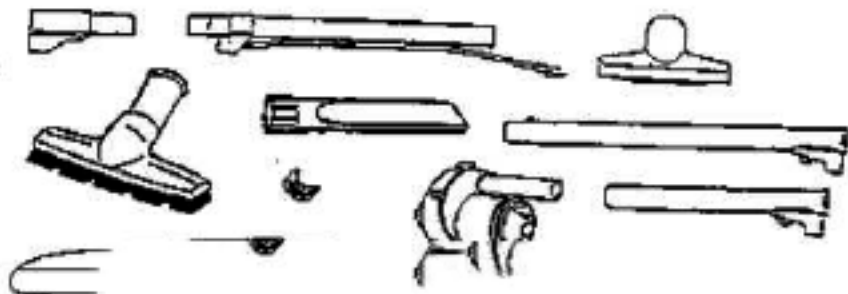
HOSE ASSEMBLY
 COMPLETE



00791-1 HOSE ASSY COMPLETE
 38346-1 SWITCH & CONNECTOR ASSY
 00852-1 HOSE HANDLE COMPLETE
 53257-1 SCREW
 54640-1 HOSE & COUPLING ASSY
 38306-2 CORD & PLUG ASSY
 38306-1 PLUG CLIP
 54655-2 HOSE CONNECTOR ASSY
 38357-1 CONNECTOR RING

70227 OWNERS GUIDE

54655-2 HOSE CONNECTOR ASSY
 38357-1 CONNECTOR RING



| Ref # | Part | Description | Comments | Qty |
|-------|------------|---------------------------|----------|-----|
| 1 | 26708-119N | TOOL - CREVICE | | |
| 2 | 36899-5 | STRAIGHT WAND ASSEMBLY | | |
| 3 | 37738-5 | UPPER WAND ASSEMBLY | | |
| 4 | 38284-3 | UPHOLSTERY NOZZLE ASSEMBL | | |
| 5 | 38346-1 | SWITCH & CONNECTOR ASSEMB | | |
| 6 | 38357-1 | RING - CONNECTOR | | |
| 7 | 38358-2 | CORD & PLUG ASSY | | |
| 8 | 38368-1 | CLIP - PLUG | | |
| 9 | 38914-308N | COVER - BLEEDER | | |
| 10 | 39040A-1 | STRAIGHT WAND ASSEMBLY | | |
| 11 | 39041 | COUPLING ASSY - EASY CHAN | | |
| 12 | 39237 | CYCLONIC UPPER HSNG & WND | | |
| 13 | 53257-1 | SCREWS - PACKAGE 10 | | |
| 14 | 54640-1 | HOSE ASSEMBLY - CARTONED | | |
| 15 | 54655-2 | CONNECTOR ASSY - HOSE (CR | | |
| 16 | 54785 | FLOOR & WALL BRUSH - PACK | | |
| 17 | 54787 | DUSTING BRUSH - PACKAGED | | |
| 18 | 57698 | PAPER BAG PKG ASSY (STYLE | | |
| 19 | 58779 | DIRT CUP - CYCLONIC | | |
| 20 | 59780A | WAND CLIP - CYCLONIC | | |
| 21 | 60791-1 | HOSE ASSEMBLY - CARTONED | | |
| 22 | 60852-1 | HANDLE ASSEMBLY - PACKAGE | | |
| 23 | 70227 | OWNERS GUIDE | | |