

MAJESTIC

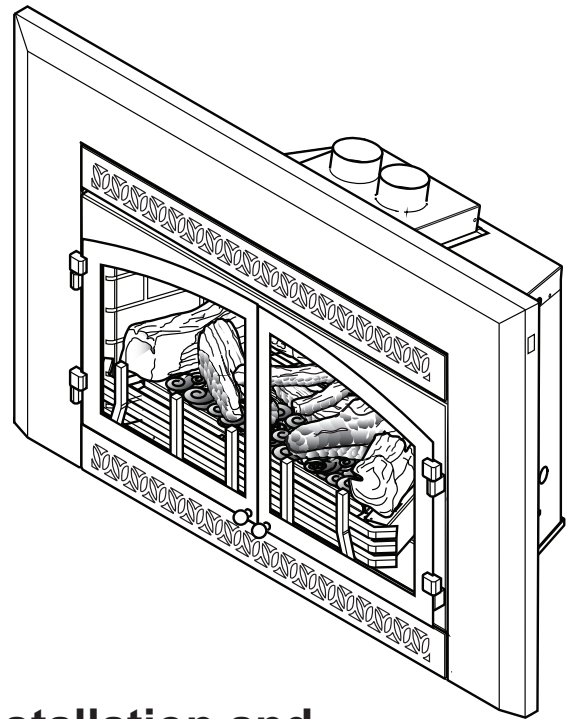


IDV Series Direct Vent Gas Fireplace Insert

Models:

380IDVNVC & 380IDVPVC

490IDVNVC & 490IDVPVC



WARNING

IF THE INFORMATION IN THESE INSTRUCTIONS IS NOT FOLLOWED EXACTLY, A FIRE OR EXPLOSION MAY RESULT CAUSING PROPERTY DAMAGE, PERSONAL INJURY OR LOSS OF LIFE.

- Do not store or use gasoline or other flammable vapors and liquids in the vicinity of this or any other appliance.
- **WHAT TO DO IF YOU SMELL GAS**
 - Do not try to light any appliance.
 - Do not touch any electrical switch; do not use any phone in your building.
 - Immediately call your gas supplier from a neighbor's phone. Follow the gas supplier's instructions.
 - If you cannot reach your gas supplier, call the fire department.
- Installation and service must be performed by a qualified installer, service agency or the gas supplier.

WARNING: Improper installation, adjustment, alteration, services or maintenance can cause injury or property damage. Refer to this manual. For assistance or additional information consult a qualified installer, service agency or the gas supplier.

This appliance may be installed in an aftermarket*, permanently located, manufactured home (USA only) or mobile home, where not prohibited by local codes. This appliance is only for use with the type of gas indicated on the rating plate. This appliance is not convertible for use with other gases, unless a certified kit is used.

* Aftermarket: Completion of sale, not for purpose of resale, from the manufacturer.

Installation and Operating Instructions



DUE TO HIGH TEMPERATURES, THE APPLIANCE SHOULD BE LOCATED OUT OF TRAFFIC AND AWAY FROM FURNITURE AND DRAPERIES.

CHILDREN AND ADULTS SHOULD BE ALERTED TO THE HAZARDS OF HIGH SURFACE TEMPERATURE AND SHOULD STAY AWAY TO AVOID BURNS OR CLOTHING IGNITION.

YOUNG CHILDREN SHOULD BE SUPERVISED WHEN THEY ARE IN THE SAME ROOM AS THE APPLIANCE.

CLOTHING OR OTHER FLAMMABLE MATERIAL SHOULD NOT BE PLACED ON OR NEAR THE APPLIANCE.

KEEP THE ROOM AREA CLEAR AND FREE FROM COMBUSTIBLE MATERIALS, GASOLINE, AND OTHER FLAMMABLE VAPORS AND LIQUIDS.

INSTALLER: Leave this manual with the appliance.

CONSUMER: Retain this manual for future reference.

**Thank you and congratulations on your purchase of a
Majestic Fireplace Insert.**

PLEASE READ THE INSTALLATION AND OPERATION INSTRUCTIONS BEFORE USING THE APPLIANCE!

IMPORTANT: Read all instructions and warnings carefully before starting installation.

Failure to follow these instructions may result in a possible fire hazard and will void the warranty.

Important Safety Information	3	Operating Instructions	25
Code Approval	4	What To Do If You Smell Gas.....	25
Product Features	5	Lighting Pilot for the First Time	25
High Elevations	5	Lighting Pilot	26
Gas Pressures	5	Lighting Burner	27
Gas Specifications & Orifice Size	5	To Turn Off Gas	27
Insert Dimensions	6	Adjust Blower Speed.....	27
Installation Information.....	7	Air Shutter Adjustment - Natural Gas ONLY	28
Before You Start.....	7	Glass Replacement	29
Installation Planning.....	7	Cleaning and Maintenance	30
Clearances.....	7	Vent System.....	30
Insert Clearances.....	8	Glass Door.....	30
Insert Placement.....	9	Pilot and Burner Flames	30
Zero Clearance Fireplace Requirements.....	10	Firebox Cleaning.....	31
Venting Installation.....	11	Maintaining Heater's Appearance	31
Installation Precautions.....	11	Yearly Service Procedure.....	32
Venting Requirements.....	11	Troubleshooting	33
Altitude Considerations	12	Replacement Parts	34
Vent Configurations.....	13	Blower	34
Manifold Removal and Installation	14	Firebox Components.....	35
Insert Installation.....	15	For Massachusetts Residents Only.....	38
Check Gas Type.....	15	Warranty	39
Install Gas Piping	15	Efficiencies.....	40
Check Gas Pressure.....	17		
Electrical Installation	18		
Electrical Wiring	18		
Remote Wall Mounted Switch	18		
Logs and Rock Wool Installation	19		
Surround Installation	22		
Door and Filigree Installation	24		

INSTALLER

Please leave these instructions with the appliance.

OWNER

Please retain these instructions for future reference.

WARNING	<ul style="list-style-type: none"> • Read this owner’s manual carefully and completely before trying to assemble, operate, or service this fireplace. • Any change to this fireplace or its controls can be dangerous. • Improper installation or use of this fireplace can cause serious injury or death from fire, burns, explosions, electrical shock and carbon monoxide poisoning.
---------	---

This insert is a vented product. This insert must be properly installed by a qualified service person. The glass door must be properly seated and sealed. If this unit is not properly installed by a qualified service person with glass door properly seated and sealed, combustion leakage can occur.

CARBON MONOXIDE POISONING: Early signs of carbon monoxide poisoning are similar to the flu with headaches, dizziness and/or nausea. If you have these signs, the insert may not have been installed properly. Get fresh air at once! Have the insert inspected and serviced by a qualified service person. Some people are more affected by carbon monoxide than others. These include pregnant women, people with heart or lung disease or anemia, those under the influence of alcohol, and those at high altitudes.

Propane/LP gas and natural gas are both odorless. An odor-making agent is added to each of these gases. The odor helps you detect a gas leak. However, the odor added to these gases can fade. Gas may be present even though no odor exists.

Make certain you read and understand all warnings. Keep this manual for reference. It is your guide to safe and proper operation of this insert.

1. This appliance is only for use with the type of gas indicated on the rating plate. This appliance is not convertible for use with other gases unless a certified kit is used.
2. For propane/LP insert, do not place propane/LP supply tank(s) inside any structure. Locate propane/LP supply tank(s) outdoors. To prevent performance problems, do not use propane/LP fuel tank of less than 100 lbs. capacity.
3. If you smell gas
 - shut off gas supply.
 - do not try to light any appliance.
 - do not touch any electrical switch; do not use any phone in your building .
 - immediately call your gas supplier from a neighbor’s phone. Follow the gas supplier’s instructions.

4. Never install the insert
 - in a recreational vehicle
 - where curtains, furniture, clothing, or other flammable objects are less than 36" from the front, top, or sides of the insert
 - in high traffic areas
 - in windy or drafty areas
5. This insert reaches high temperatures. Keep children and adults away from hot surfaces to avoid burns or clothing ignition. Insert will remain hot for a time after shutdown. Allow surfaces to cool before touching.
6. Young children should be carefully supervised when they are in the same room as the appliance. Toddlers, young children and others may be susceptible to accidental contact burns. A physical barrier is recommended if there are at risk individuals in the house. To restrict access to a fireplace or stove, install an adjustable safety gate to keep toddlers, young children and other at risk individuals out of the room and away from hot surfaces.
7. Do not modify insert under any circumstances. Any parts removed for servicing must be replaced prior to operating insert.
8. Turn insert off and let cool before servicing, installing, or repairing. Only a qualified service person should install, service, or repair the insert. Have burner system inspected annually by a qualified service person.
9. You must keep control compartments, burners, and circulating air passages clean. More frequent cleaning may be needed due to excessive lint and dust. Turn off the gas valve and pilot light before cleaning insert.
10. Have venting system inspected annually by a qualified service person. If needed, have venting system cleaned or repaired. Refer to *Cleaning and Maintenance*, Page 29.
11. Keep the area around your insert clear of combustible materials, gasoline, and other flammable vapor and liquids. Do not run insert where these are used or stored. Do not place items such as clothing or decorations on or around insert.

Continued from page 3

12. Do not use this insert to cook food or burn paper or other objects.
13. Never place anything on top of insert.
14. Do not use any solid fuels (wood, coal, paper, cardboard, etc.) in this insert. Use only the gas type indicated on rating plate.
15. This appliance, when installed, must be electrically grounded in accordance with local codes or in the absence of local codes, with the *National Electrical Code*, *ANSI/NFPA 70*, or the *Canadian Electrical Code*, *CSA C22.1*.
16. Do not obstruct the flow of combustion and ventilation air in any way. Provide adequate clearances around air openings into the combustion chamber along with adequate accessibility clearance for servicing and proper operation.
17. Do not use insert if any part has been exposed to or has been under water. Immediately call a qualified service technician to inspect the appliance and replace any part of the control system and any gas control which as been submerged in water.
18. Do not operate insert if any log is broken.
20. Do not operate the insert with glass door removed, cracked, or broken.

CODE APPROVAL

Direct Vent type appliances draw all combustion air from outside of the dwelling through the vent pipe.

These appliances have been tested by CSA and found to comply with the established standards for DIRECT VENT GAS FIREPLACE HEATERS in the USA and Canada as follows:

LISTED VENTED GAS FIREPLACE HEATER

TESTED TO: ANSI Z21.88b-2008/CSA 2.33b-2008
STANDARDS

A manufactured home (USA only) or mobile home OEM installation must conform with the ***Manufactured Home Construction and Safety Standard, Title 24 CFR, Part 3280***, or when such a standard is not applicable, the ***Standard for Manufactured Home Installations, ANSI/NCSBCS A225.1***, or ***Standard for Gas Equipped Recreational Vehicles and Mobile Housing, CSA Z240.4***.

IMPORTANT:

PLEASE READ THE FOLLOWING CAREFULLY

It is normal for fireplaces fabricated of steel to give off some expansion and/or contraction noises during the start up or cool down cycle. Similar noises are found with your furnace heat exchanger or car engine.

IMPORTANT:

PLEASE READ THE FOLLOWING CAREFULLY

It is not unusual for gas fireplaces to give off some odor the first time it is burned. This is due to the manufacturing process.

Please ensure that your room is well ventilated during burn off — open all windows.

It is recommended that you burn your fireplace for at least ten (10) hours the first time you use it. Place the fan switch in the "OFF" position during this time.

WARNING

Never connect unit to private (non-utility) gas wells. This gas is commonly known as wellhead gas.

NATIONAL
FIREPLACE
INSTITUTE



CERTIFIED
www.nficertified.org

We recommend that our gas hearth products be installed and serviced by professionals who are certified in the U.S. by the National Fireplace Institute® (NFI) as NFI Gas Specialists.

! WARNING



HOT GLASS WILL
CAUSE BURNS.
DO NOT TOUCH GLASS
UNTIL COOLED.
NEVER ALLOW CHILDREN
TO TOUCH GLASS.

PRODUCT SPECIFICATIONS

- This appliance has been certified for use with either natural or propane gas. Refer to the appropriate data plates.
- This appliance is not for use with solid fuels.
- The appliance is approved for bedroom or bedsitting room installations.
- The appliance must be installed in accordance with local codes if any. If none exist use the current installation code. ANSI Z223.1/NFPA 54 in the USA, CSA B149 in Canada.
- The appliance must be properly connected to a venting system.

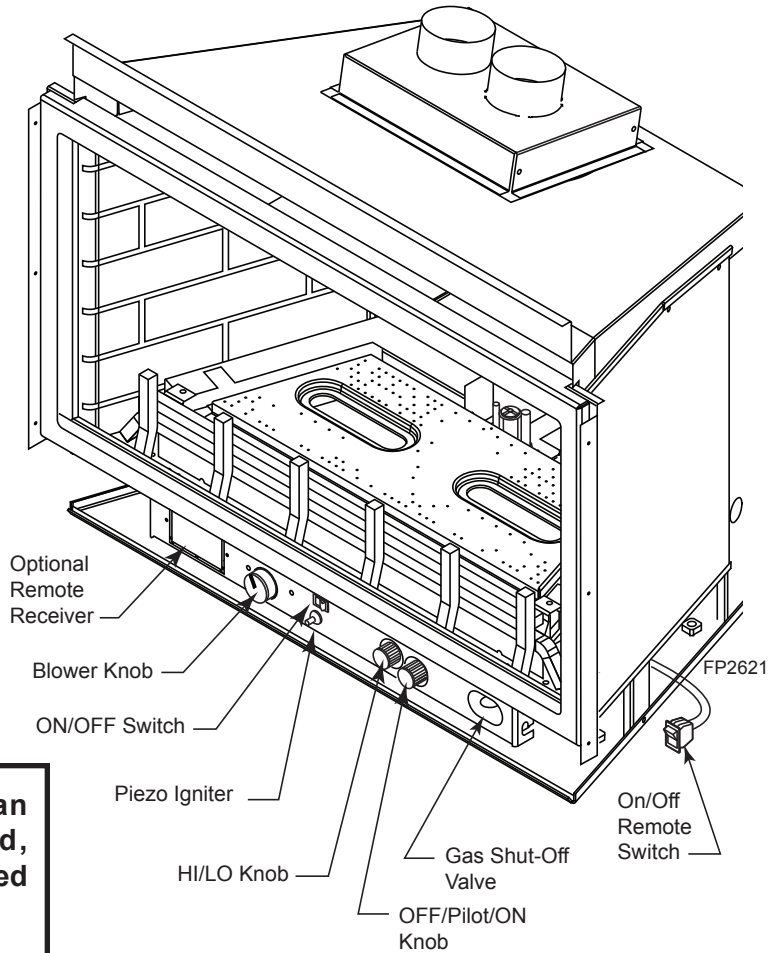


Figure 1 - IDV Series Fireplace Insert

WARNING This appliance may be installed in an aftermarket*, permanently located, manufactured home, where not prohibited by local codes

*Aftermarket: Completion of sale, not for purpose of resale, from the manufacturer.

HIGH ELEVATIONS

Input ratings are shown in BTU per hour and are certified without deration for elevations up to 4,500 feet (1,370 m) above sea level.

For elevations above 4,500 feet (1,370 m) in USA, installations must be in accordance with the current ANSI Z223.1/NFPA 54 and/or local codes having jurisdiction.

In Canada, please consult provincial and/or local authorities having jurisdiction for installations at elevations above 4,500 feet (1,370 m).

GAS PRESSURES

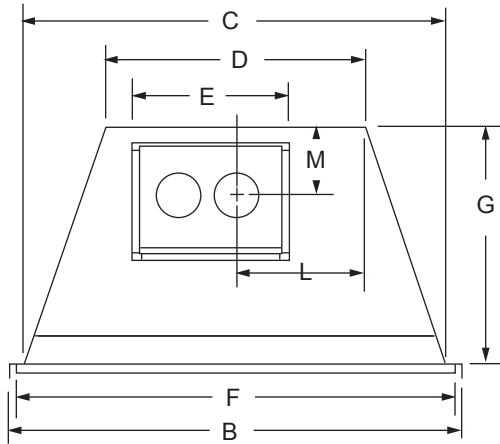
	Natural	Propane (LP)
Inlet Minimum	4.5" w.c.	11.0" w.c.
Inlet Maximum	10.5" w.c.	13.0" w.c.
Manifold Pressure	3.5" w.c.	10.0" w.c.

GAS SPECIFICATIONS & ORIFICE SIZE

Model	Fuel	Max. Input BTU/h	Min. Input BTU/h	Orifice Size
380IDVNVC	Nat.	30,500	20,500	#35
380IDVPVC	LP	28,000	22,000	#53
490IDVNVC	Nat.	40,000	26,500	#30
490IDVPVC	LP	37,500	29,000	#50

The IDV Series gas inserts are equipped with a variable speed output gas control.

NOTE: IDV Series gas inserts operate without any electrical supply. Blower must be attached to 110/120V AC.



Ref.	380IDV	490IDV
A	22 ³ / ₄ " (578 mm)	24 ³ / ₄ " (629 mm)
B	30 ³ / ₁₆ " (767 mm)	33 ¹¹ / ₁₆ " (856 mm)
C	27 ⁵ / ₈ " (702 mm)	31 ¹ / ₈ " (791 mm)
D	17 ⁷ / ₁₆ " (443 mm)	19 ¹¹ / ₁₆ " (500 mm)
E	10 ³ / ₈ " (264 mm)	11 ¹ / ₂ " (292 mm)
F	29 ¹ / ₂ " (749 mm)	33" (838 mm)
G	15 ⁹ / ₁₆ " (395 mm)	17 ¹ / ₂ " (445 mm)
H	20 ³ / ₄ " (527 mm)	22 ³ / ₄ " (578 mm)
I	21 ⁵ / ₈ " (549 mm)	23 ¹³ / ₁₆ " (605 mm)
J	22 ³ / ₄ " (578 mm)	24 ¹⁵ / ₁₆ " (633 mm)
K	16 ⁵ / ₁₆ " (414 mm)	18 ⁵ / ₁₆ " (465 mm)
L	8 ²³ / ₃₂ " (221 mm)	9 ²⁷ / ₃₂ " (250 mm)
M	4 ¹ / ₂ " (114 mm)	5 ⁵ / ₈ " (143 mm)

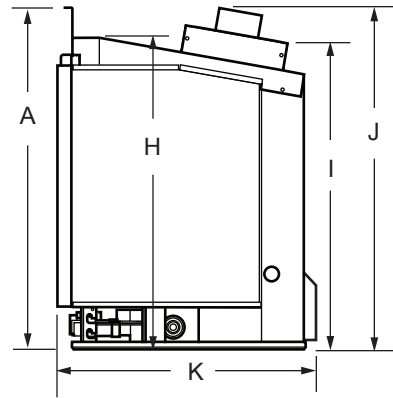
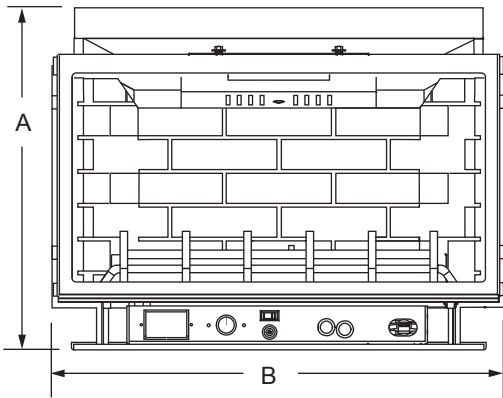
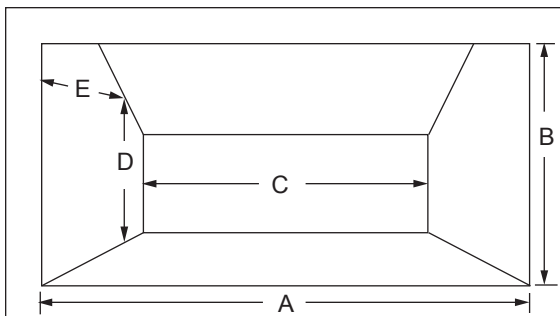


Figure 2 - IDV Fireplace Insert Dimensions



Ref.	380IDV	490IDV
A	28" (711 mm)	31" (787 mm)
B	18" (457 mm)	20" (508 mm)
C	21" (533 mm)	23" (584 mm)
D	21" (533 mm)	23" (533 mm)
E	16" (406 mm)	18" (457 mm)

Figure 3 - IDV Fireplace Insert Opening Dimensions

BEFORE YOU START

Read this homeowner manual thoroughly and follow all instructions carefully. Inspect all contents for shipping damage and immediately inform your dealer if any damage is found. Do not install any unit with damaged, incomplete, or substitute parts. Check your packing list to verify that all listed parts have been received.

INSTALLATION PLANNING

Plan for the installation of your insert. This includes determining the size of fireplace in which unit is to be installed, length of venting to be used and finishing details, and whether any optional accessories (i.e. wall switch, or remote control) are desired. Consult your local building code agency to ensure compliance with local codes, including permits and inspections.

The following factors should be taken into consideration:

- This insert should have sufficient access for its safe operation and maintenance.
- The flow of combustion and ventilation air must not be obstructed.
- Minimum clearances to combustibles, such as mantels, must be maintained. *Refer to Pages 8 and 9, Figures 4 and 5.*
- Never obstruct the front opening of the insert.
- Do not install in the vicinity where gasoline or other flammable liquids may be stored.
- These units can be installed in a bedroom. Refer to National Fuel Gas Code ANSI Z233.1/ NFPA 54 (current edition), the Uniform Mechanical Code (current edition), and Local Building Codes for specific installation requirements.

IMPORTANT: Your direct vent insert was designed to be installed in an existing wood burning fireplace. The location and clearances are subject to local building codes.

INSERT APPLICATIONS

Before installing the gas fireplace insert, consider the functioning needs of the fireplace. Confirm the size of the fireplace cavity, the design of the chimney, and the availability of the gas supply and electricity for the insert fan.

IMPORTANT: Your direct vent insert is designed to be only vented vertically with a minimum height of 10 feet.

When the unit is installed into a wood burning fireplace, the minimum distance the mantel can be placed above the fireplace is governed by local building codes applicable to wood burning fireplaces. Consult local authorities having jurisdiction for these clearances. The underside of the mantel will become warm. Use only finishes which are heat resistant and do not discolor.

CLEARANCES

MINIMUM FIREPLACE SIZE/CLEARANCES TO COMBUSTIBLES

WARNING	<p>The dimensions shown on <i>Pages 8 and 9, Figures 4 and 5</i>, are minimum clearances to maintain when installing this heater. Follow these instructions carefully to ensure safe installation. Failure to follow instructions exactly can create a fire hazard.</p>
----------------	---

Maintain the following minimum clearances for service and maintenance. Refer to Pages 8 and 9.

INSERT CLEARANCES

No combustibles (ie: drapes, doors) may be within, or swing within 36" of the front of the insert.

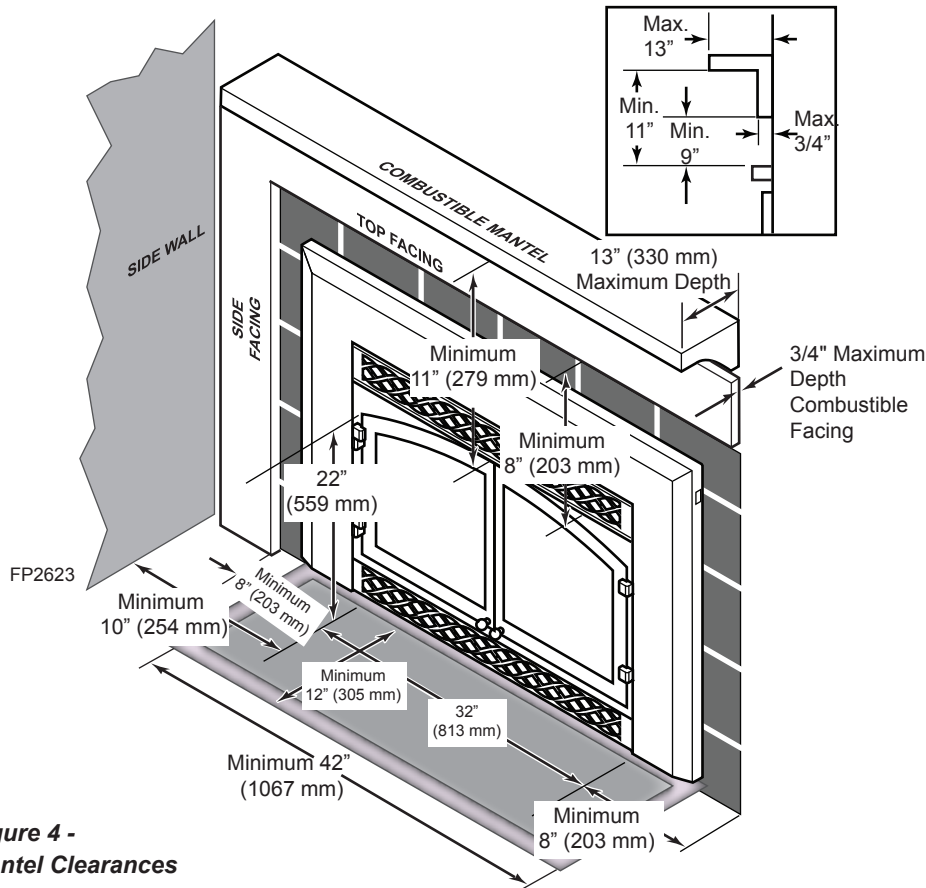


Figure 4 - Mantel Clearances

MANTEL CLEARANCES

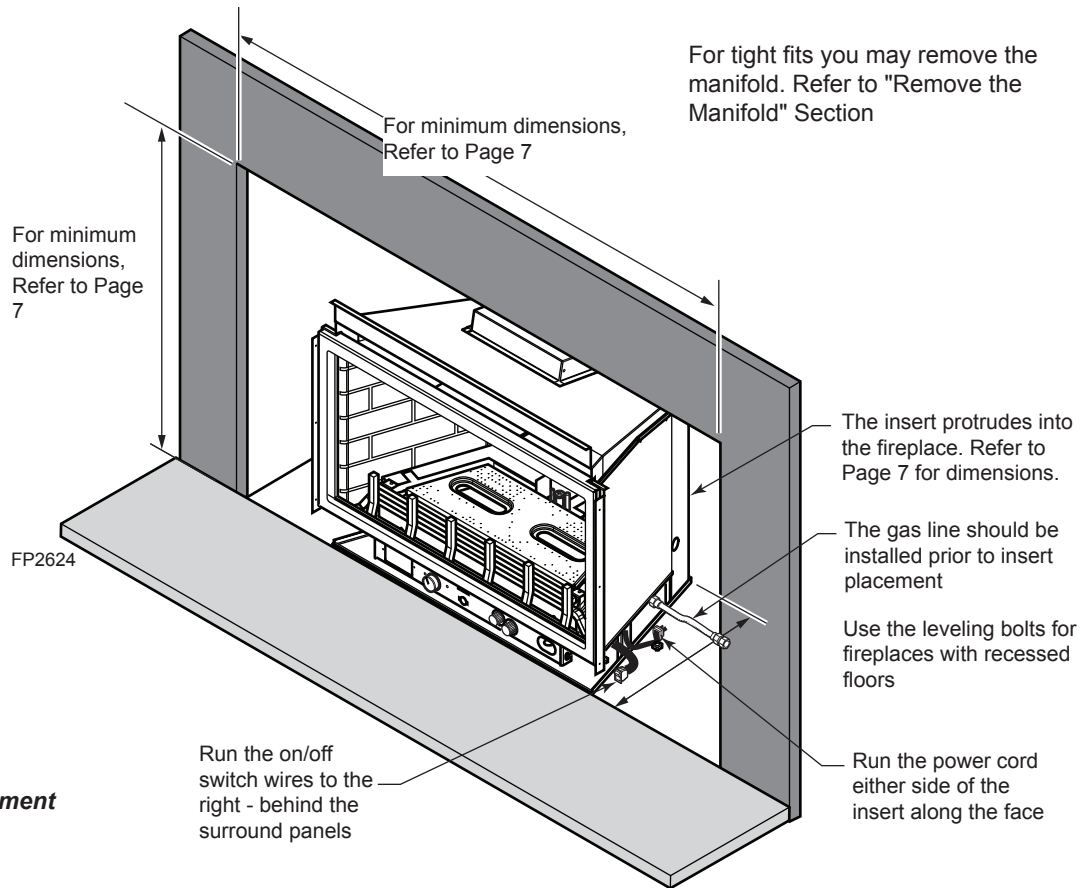
NOTE: The combustible area above the facing must not protrude more than 3/4" from the facing. If it does, it is considered a mantel and must meet the mantel requirements listed in this manual.

HEARTH REQUIREMENTS

The insert must be installed on a noncombustible hearth extending a minimum of 12" from the fireplace opening (local codes may require a larger hearth). The hearth must also extend to both sides of the face.

INSERT PLACEMENT

- The insert must be placed within a code-conforming masonry fireplace or a tested and listed zero-clearance (UL-127, solid fuel) fireplace. Repair any fireplace damage prior to installation.
- Because the insert uses a circulation blower, clean the fireplace, smoke shelf and chimney before installing.
- This heater may be placed in a bedroom. Please be aware of the large amount of heat this appliance produces when determining a location.



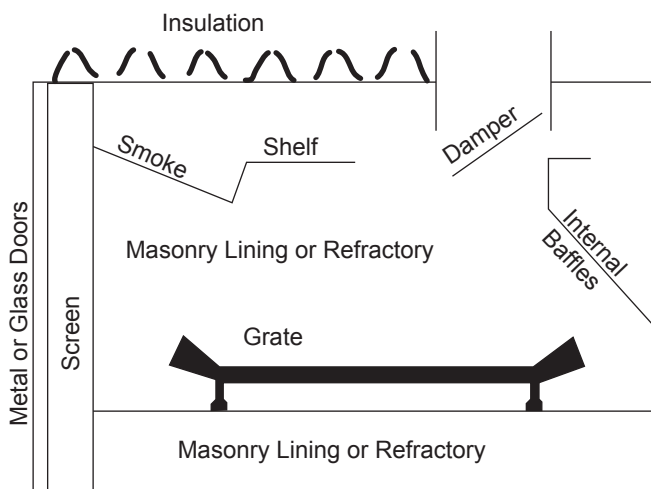
**Figure 5 -
Insert Placement**

ZERO-CLEARANCE (METAL) FIREPLACE REQUIREMENTS

- The damper and grate must be removed.
- The smoke shelf, internal baffles, screen, refractory and metal or glass doors may be removed (if applicable).
- Do not remove or alter the insulation or any structured rigid frame members (metal sides, floor, door frames, face of the fireplace, etc.).

WARNING

- **Installer must attach red warning plate to the inside of the firebox of fireplace with screws supplied.**
- **Do not cut any sheet metal parts of the fireplace in which this gas fireplace insert is installed. THIS IS STRICTLY PROHIBITED!**
- **If factory-built fireplace has no gas access hole(s) provided, drill a 1.5" (37.5 mm) or less through lower sides or bottom of firebox. You must plug the access hole with noncombustible insulation after gas supply line has been installed.**
- **If your factory-built fireplace has air passages on the face for zero capabilities, DO NOT BLOCK THESE PASSAGES!**



**Figure 6 -
Metal Fireplace Zero-Clearance Requirements**

IMPORTANT: Please review the following carefully.

It is normal for inserts fabricated of steel to give off some expansion and/or contraction noises during the start up or cool down cycle. Similar noises are found with your furnace heat exchanger or car engine.

It is not unusual for your insert to give off some odor the first time it is burned. This is due to the curing of the paint and any undetected oil from the manufacturing process.

Please ensure that your room is well ventilated. OPEN ALL WINDOWS DURING INITIAL BURN OFF/CURING PHASE.

Burn your insert for at least six (6) hours on "HIGH" the first time you use it. Place the fan in the "OFF" position during this time.

WARNING Read all instructions completely and thoroughly before attempting installation. Failure to do so could result in serious injury, property damage or loss of life. Operation of improperly installed and maintained venting system could result in serious injury, property damage or loss of life.

NOTICE Failure to follow these instructions will void the warranty.

INSTALLATION PRECAUTIONS

Consult local building codes before beginning the installation. The installer must make sure to select the proper vent system for installation. Before installing vent kit, the installer must read this insert manual and vent kit instructions.

Only a qualified installer/service person should install venting system. The installer must follow these safety rules:

- Wear gloves and safety glasses for protection.
- Use extreme caution when using ladders or when on rooftops.
- Be aware of electrical wiring locations in walls and ceiling.

The following actions will void the warranty on your venting system:

- Installation of any damaged venting component.
- Unauthorized modification of the venting system.
- Installation of any component part not manufactured or approved by MHSC.
- Installation other than permitted by these instructions.

WARNING This insert must be vented to the outside. The venting system must NEVER be attached to a chimney serving a separate solid fuel burning appliance. Each gas appliance must use a separate vent system. Do not use common vent systems.

VENTING REQUIREMENTS

WARNING

- Make sure the exhaust pipe on heater connects to exhaust portion of cap. Attach flex liners. *Figure 6*
- Do not crimp or rupture liner when bending it into chimney offsets.

- The exhaust vent must reline the entire length of chimney and terminate above chimney top.
- Vent must meet all vent manufacturer's requirements when installed.
- Make sure you have the following before installing unit:

380 Series:

- 3" and 3" UL 1777 Listed gas liner for air inlet and exhaust.
- Vertical termination kit (AI31TK33A)

490 Series:

- 4" and 3" UL 1777 Listed gas liner for air inlet and exhaust.
- Vertical termination kit (AI42TK43A)

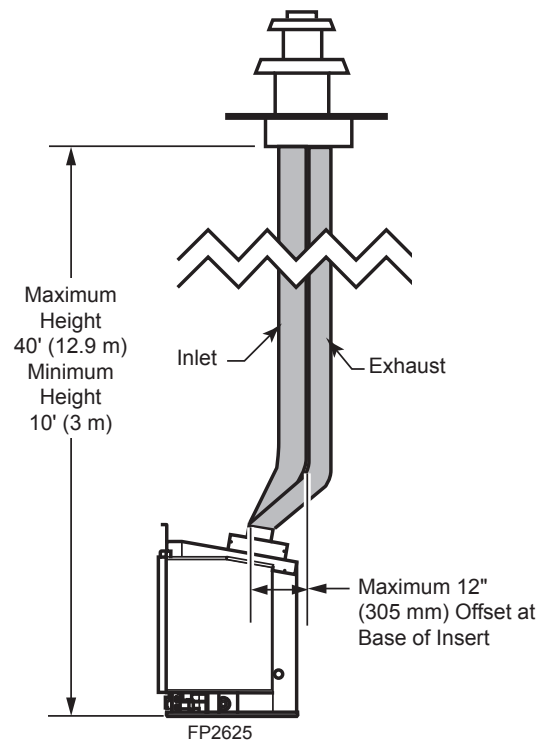
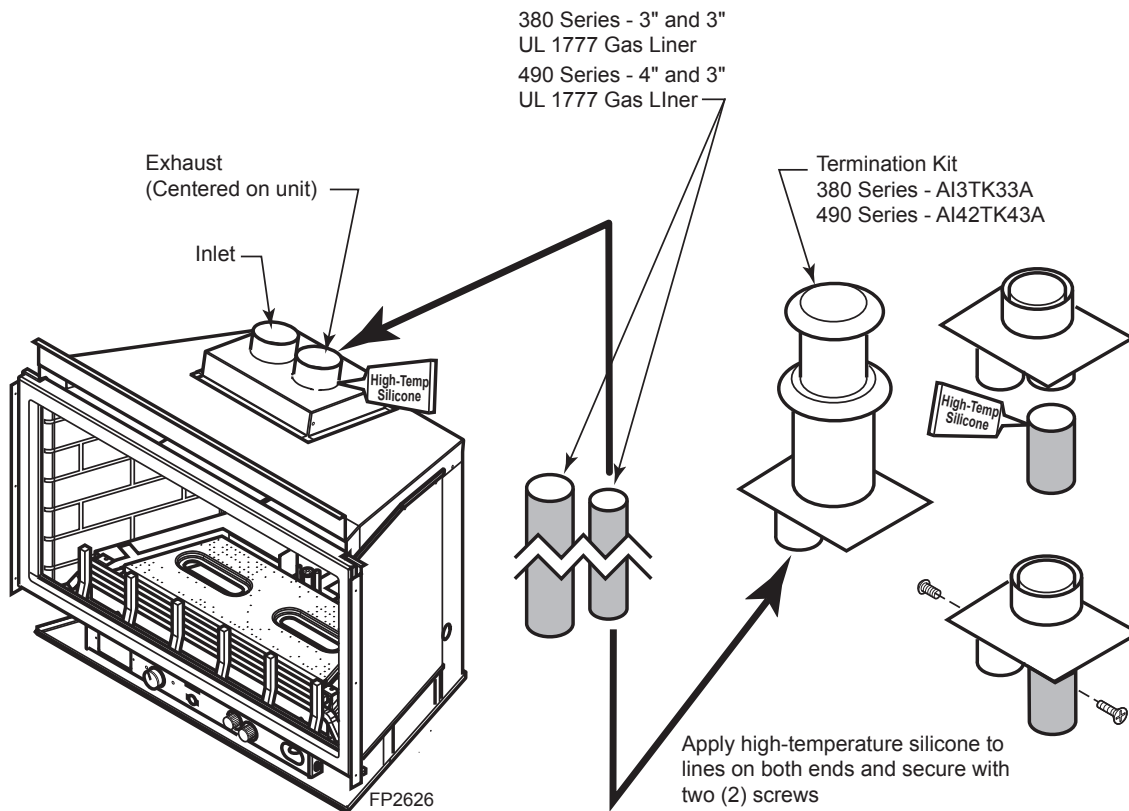


Figure 7 - Venting Unit

ALTITUDE CONSIDERATIONS

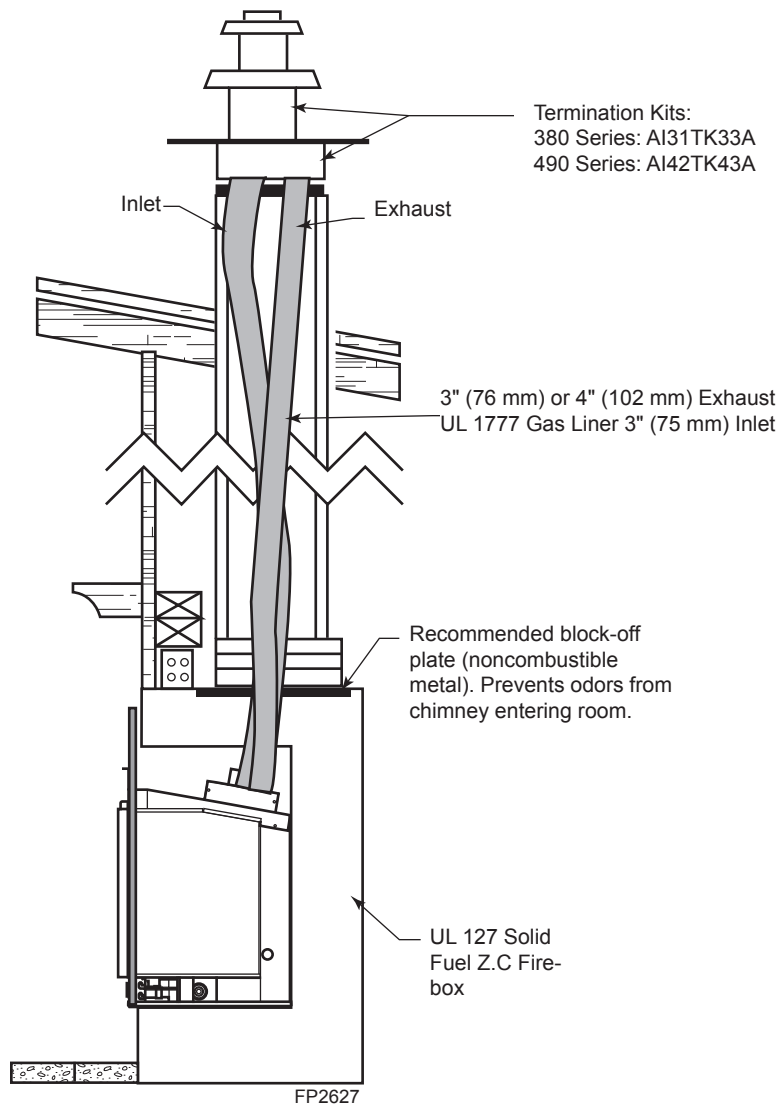
This heater has been tested at altitudes ranging from sea level to 4,500 feet (1,370 m). In this testing, heater with standard orifice burns correctly with just an air shutter adjustment. If you need to resize orifice for use at high altitude, contact your dealer.

WARNING Failure to adjust air shutter properly may lead to improper combustion which can create a safety hazard. Consult your dealer or installer if you suspect an improperly adjusted air shutter.



**Figure 8 -
Connecting Vent Pipe to Heater**

VENT CONFIGURATIONS



**Figure 9 -
Inlet and Exhaust Reline**

NOTE: You may use either reline configuration with a masonry or zero-clearance fireplace.

MANIFOLD REMOVAL AND INSTALLATION

The manifold is shipped attached to insert. It may be removed to allow tight installation. Manifold may be loosened and rotated for desired pipe location.

1. Remove brick liner and baffle.
2. Remove manifold. Place manifold in fireplace.
3. Route flex vent through chimney from above. *Figure 10.* Leave an extra 3" (914 mm) at the top.

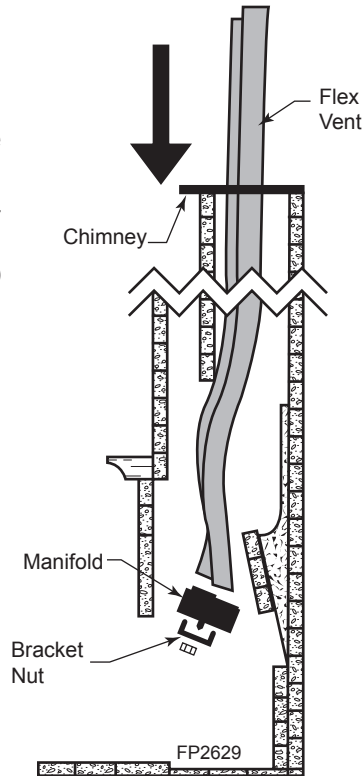


Figure 10 - Place Manifold into Fireplace

4. Attach flex vent to manifold. *Figure 11.* Seal with silicone and attach with screws.

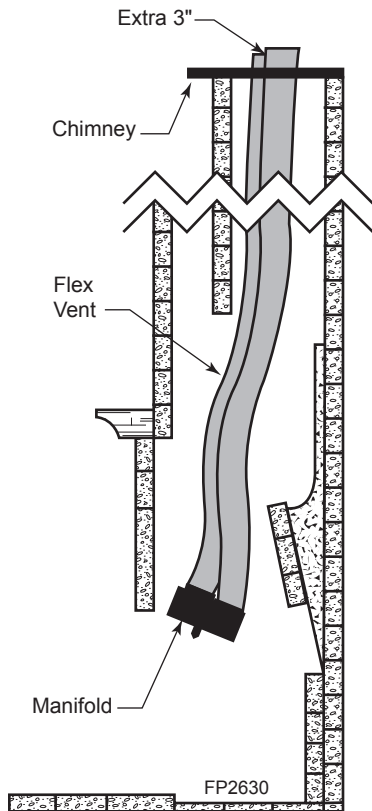


Figure 11 - Attach Flex Vent to Manifold

5. Place manifold in an upright position. Pull on excess vent. *Figure 12.* Temporarily attach flex vent to top of chimney. Leave some extra slack in flex vent.

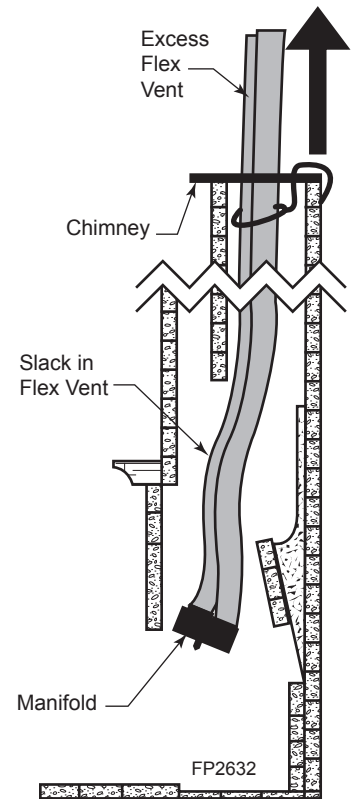


Figure 12 - Pull on Excess Flex Vent

6. Slide insert into place. Guide the manifold over the insert until it is fully in place. *Figure 13*
7. Remove any slack from flex vent. Attach manifold to insert. *Figure 13*
8. Remove any excess slack in flex line. Attach vent termination. *Figure 13*
9. Replace baffle and brick liner.

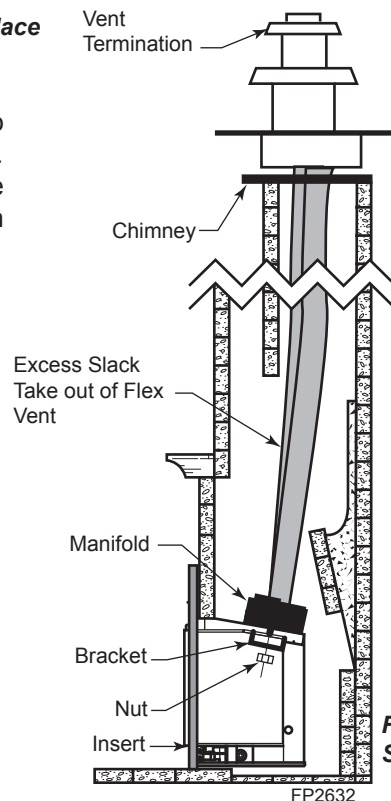


Figure 13 - Slide Insert into Place

CHECK GAS TYPE

Use proper gas type for the fireplace you are installing. If you have conflicting gas type, do not install fireplace. See dealer where you purchased the fireplace for proper fireplace according to your gas type.

INSTALLING GAS PIPING TO FIREPLACE LOCATION

WARNING
A qualified installer or service person must connect appliance to gas supply. Follow all local codes.

CAUTION
For propane/LP units, never connect fireplace directly to the propane/LP supply. This burner system requires an external regulator (not supplied). Install the external regulator between the burner system and propane/LP supply.

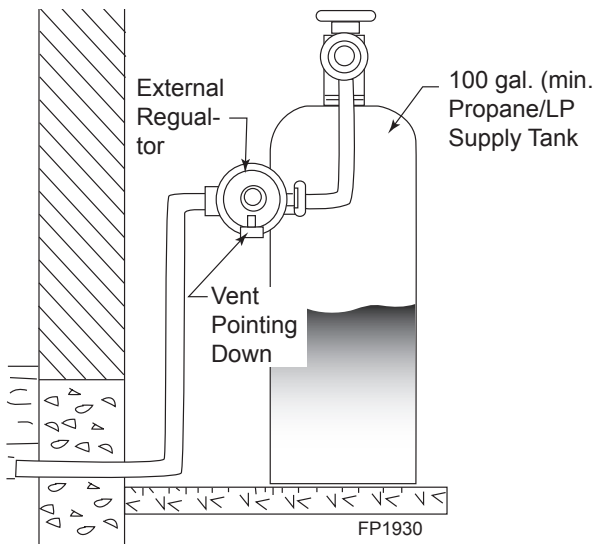
INSTALLATION ITEMS NEEDED

Make sure you have the items listed below before installing appliance.

- External regulator (supplied by installer)
- Piping (check local codes)
- Test gauge connection*
- Sealant (resistant to propane/LP gas)
- Sediment trap (optional but recommended)
- Tee joint
- Pipe wrench
- approved flexible gas line with gas connector (if allowed by local codes — not provided)

* A CSA design-certified equipment shutoff valve with 1/8" NPT tap is an acceptable alternative to test gauge connection. Purchase the CSA design-certified equipment shutoff valve from your dealer.

For propane/LP connections only, the installer must supply an external regulator. The external regulator will reduce incoming gas pressure. You must reduce incoming gas pressure to between 11 and 13 inches of water. If you do not reduce incoming gas pressure, burner system regulator damage could occur. Install external regulator with the vent pointing down as shown in *Figure 14*. Pointing the vent down protects it from freezing rain or sleet.



CAUTION
Use only new black iron or steel pipe. Internally tinned copper or copper tubing can be used per National Fuel Gas Code, Section 2.6.3, providing gas meets hydrogen sulfide limits, and where permitted by local codes. Gas piping system must be sized to provide minimum inlet pressure (listed on data plate) at the maximum flow rate (BTU/hr). Undue pressure loss will occur if the pipe is too small.

When using copper or flex connectors use only fittings approved for gas connections. The gas control inlet is 3/8" NPT.

Figure 14 - External Regulator with Vent Pointing Down (Propane/LP Only)

WARNING

Only persons licensed to work with gas piping may make the necessary gas connections to this appliance.

CAUTION

A manual shut-off valve is factory installed upstream of the appliance. Union tee and plugged 1/8" NPT pressure tapping point should be installed upstream of the appliance. *Figure 15*

NOTE : The gas line connection may be made using 1/2" rigid tubing or an approved flex connector. Since some municipalities have additional local codes it is always best to consult your local authorities and the current edition of the National Fuel Gas Code ANSI.Z223.1, NFPA54. In Canada CSA-B149 (1 or 2) Installation Code.

A listed manual shutoff is factory installed upstream of appliance. Union tee and plugged 1/8" NPT pressure tapping point should be installed upstream of the appliance. *Figure 15*

IMPORTANT: The main gas valve is for turning on or shutting off the gas to the insert.

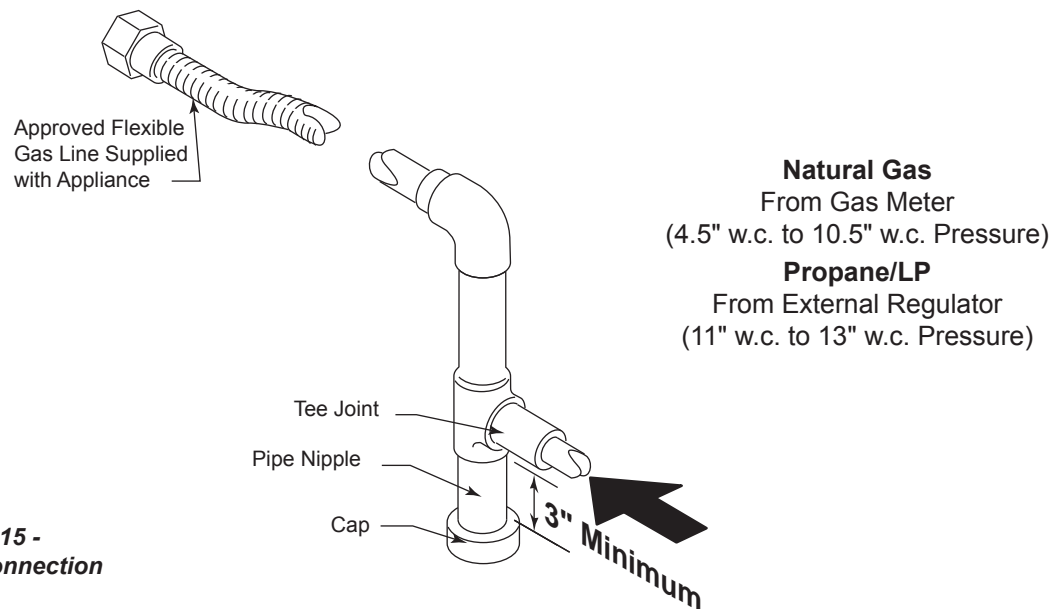
Check your building codes for any special requirements for locating equipment shutoff valve to inserts.

Apply pipe joint sealant lightly to threads. This will prevent excess sealant from going into pipe. Excess sealant in pipe could result in clogged burner system valves.

We recommend that you install a sediment trap/drip leg in supply line as shown in *Figure 15*. Locate sediment trap/drip leg where it is within reach for cleaning. Install in piping system between fuel supply and burner system. Locate sediment trap/drip leg where trapped matter is not likely to freeze. A sediment trap traps moisture and contaminants. This keeps them from going into the burner system gas controls. If sediment trap/drip leg is not installed or is installed wrong, burner system may not run properly.

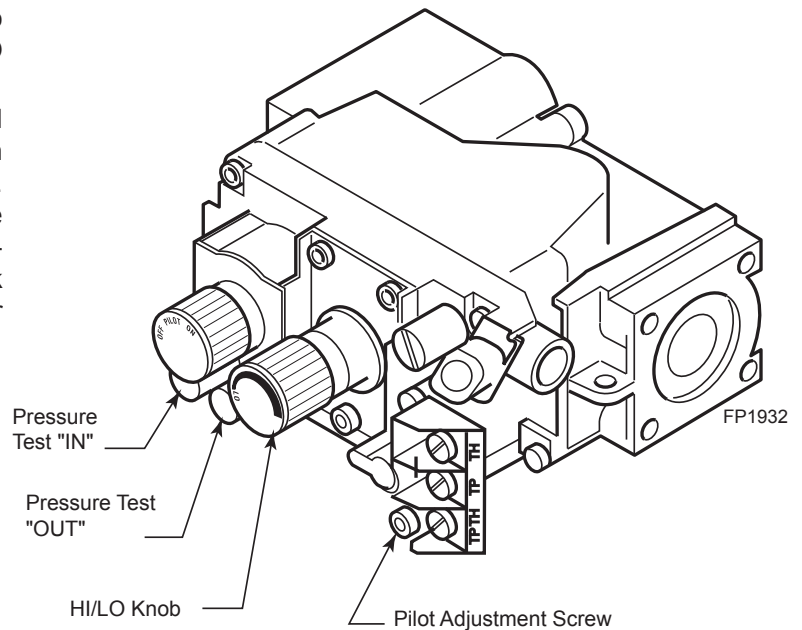
CAUTION

Use pipe joint sealant that is resistant to liquid petroleum (LP) gas.



**Figure 15 -
Gas Connection**

1. Check gas type. The gas supply must be the same as stated on the appliance's rating decal. If the gas supply is different from the fireplace, **STOP!** Do not install the appliance. Contact your dealer immediately.
2. Install and attach flex line provided on this appliance to 1/2" gas line.
3. After completing gas line connection, purge air from gas line and test all gas joints from the gas meter to the fireplace for leaks. Use a soap and water solution or a gas sniffer.
4. To adjust flame height, turn HI/LO knob to HI to get maximum pressure to burner. Turn HI/LO knob to LO to get minimum pressure.
5. To check gas pressures at valve, turn captured screw counter clockwise 2 or 3 turns and then place tubing to pressure gauge over test point. Turn unit to high. *Figure 16*. After taking pressure reading, be sure and turn captured screw clockwise firmly to reseal. Do not over torque. Check test points for gas leaks with a soap and water solution or an electronic gas leak detector.



**Figure 16 -
Gas Pressure Check at Gas Valve**

WARNING

**Do not use open flame to
check for gas leaks.**

ELECTRICAL WIRING

This insert will work without any electrical supply. Electricity is only needed to operate blower.

WARNING

Electrical connections should only be performed by a qualified, licensed electrician. Main power must be off when connecting to main electrical power supply or performing service. All wiring shall be in compliance with all local, city and state codes. The appliance, when installed, must be electrically grounded in accordance with local codes, or in the absence of local codes, with the *National Electrical Code ANSI/NFPA 70 (latest edition)* and *Canadian Electrical Code, CSA C22.1*.

CAUTION

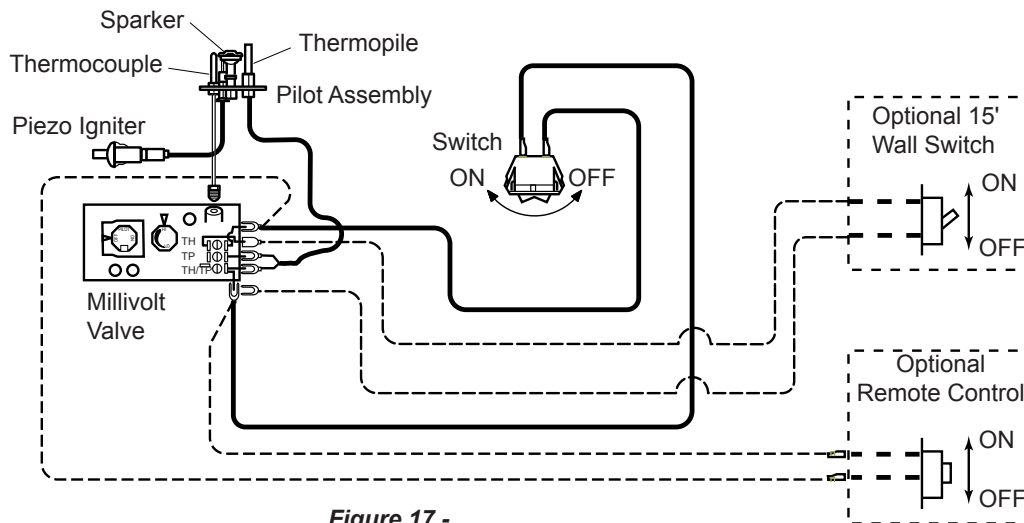
Label all wires before disconnecting when servicing controls. Wiring errors can cause improper and dangerous operation.

Verify proper operation after servicing.

REMOTE WALL MOUNTED SWITCH

A remote wall switch and up to fifteen (15) feet of 18 Ga. wire may be used with this appliance. Attach the wall switch in a junction box at the desired location on the wall. *Figure 17*

NOTE: Extended lengths of wire may cause the fireplace not to function properly. Longer length of wire is permitted if the wire is made out of larger gauge (diameter) wire. Always check with local code.



**Figure 17 -
Wiring Diagram for Wall Switch**

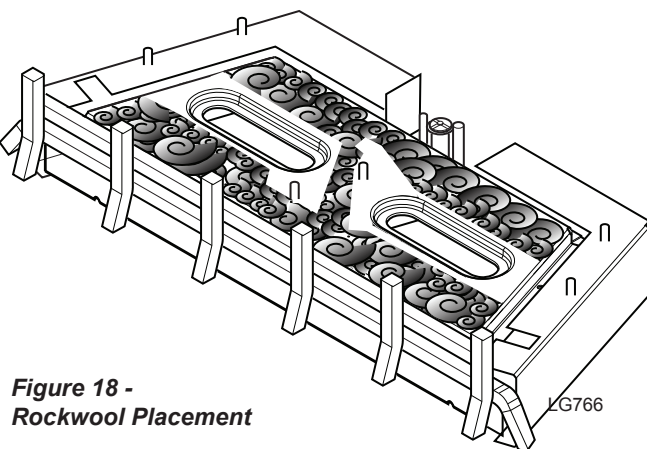
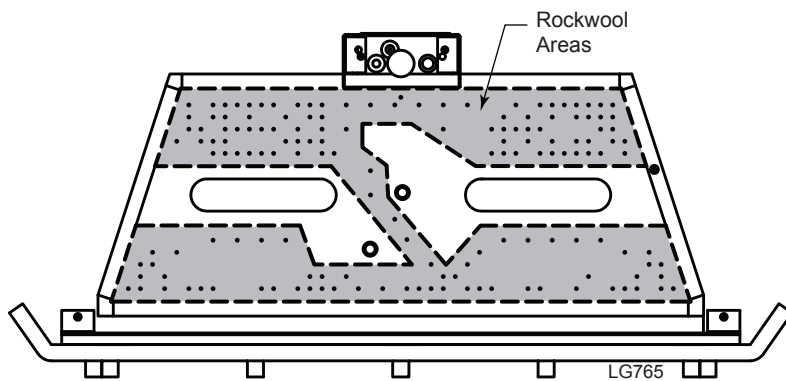
Before you begin - This unit is supplied with seven (7) ceramic fiber logs. Do not handle these logs with your bare hands. **Always wear gloves to prevent skin irritation from ceramic fibers.** After handling the logs, wash your hands gently with soap and water to remove any traces of fibers.

WARNING The positioning of the logs is critical to the safe and clean operation of this heater. Sooting and other problems may result if the logs are not properly and firmly positioned in the appliance. Never add additional logs or embellishments such as pine cones or vermiculite to the heater. Only use the logs supplied with the unit.

Failure to position the parts in accordance with diagrams below or to use only parts specifically approved for this heater may result in property damage or personal injury.

INSTALLING LOGS AND ROCK WOOL (EMBER MATERIAL) IN FIREBOX

1. Open front door of firebox.
2. Break up rock wool (ember material) into dime-sized pieces. Place evenly as shown. Do not exceed 1" layer. *Figure 18*



**Figure 18 -
Rockwool Placement**

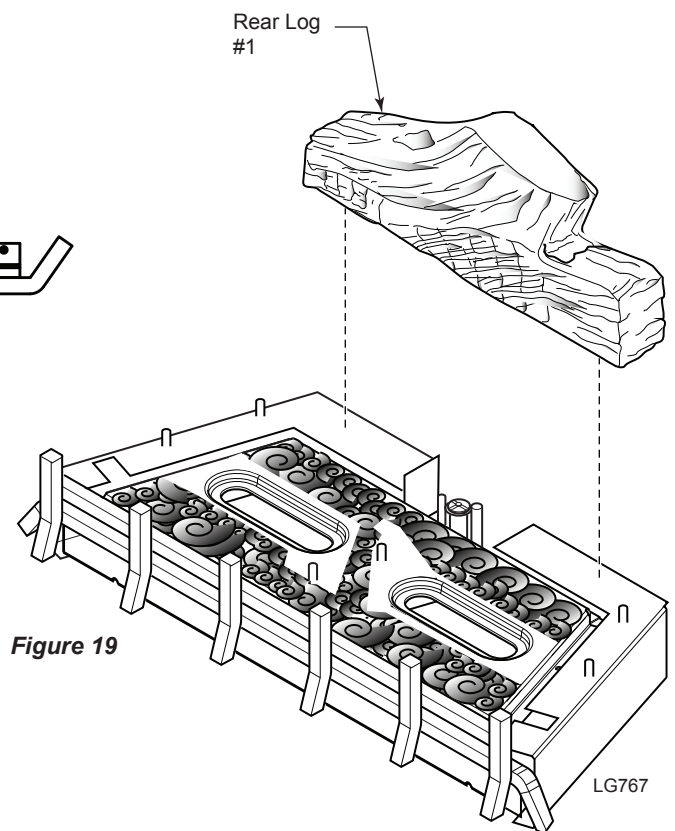


Figure 19

3. Carefully remove the seven (7) logs from wrapping.
4. Place rear log #1 against back of firebox. *Figure 19*

5. Align holes in the bottom of the left base log #2 with two (2) pins on the left side of insert. Install left base log. *Figure 20*

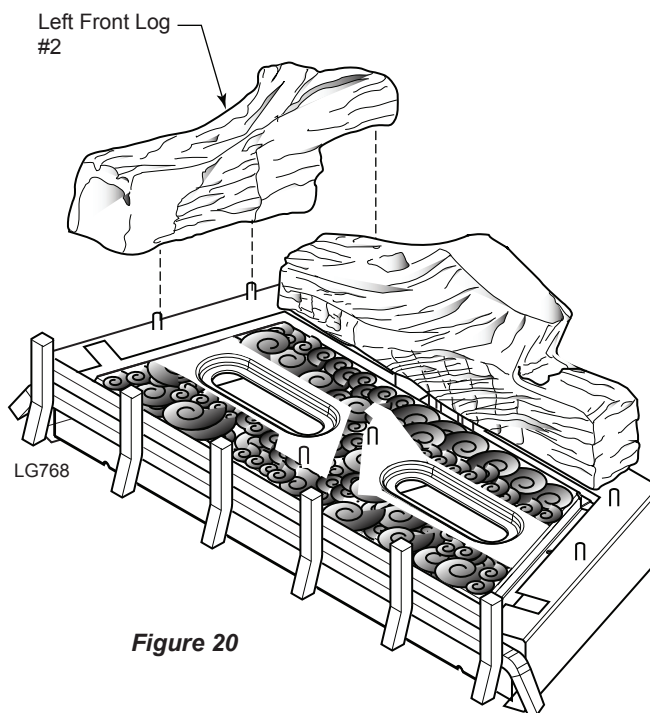


Figure 20

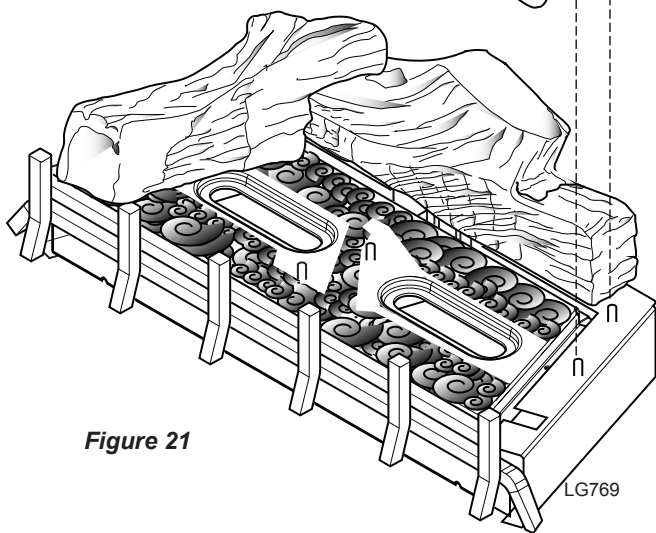
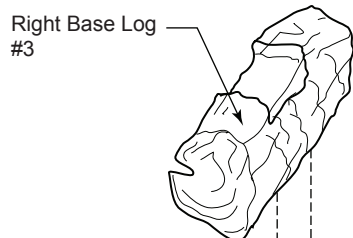


Figure 21

6. Align holes in bottom of right base log #3 with two (2) to the right of rear log. *Figure 21*
7. Align hole in bottom left center log #4 with pin on burner. *Figure 22*

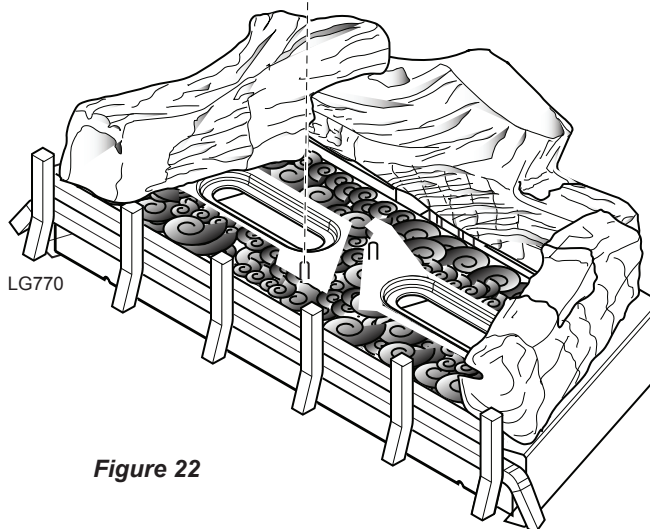
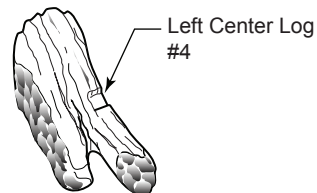


Figure 22

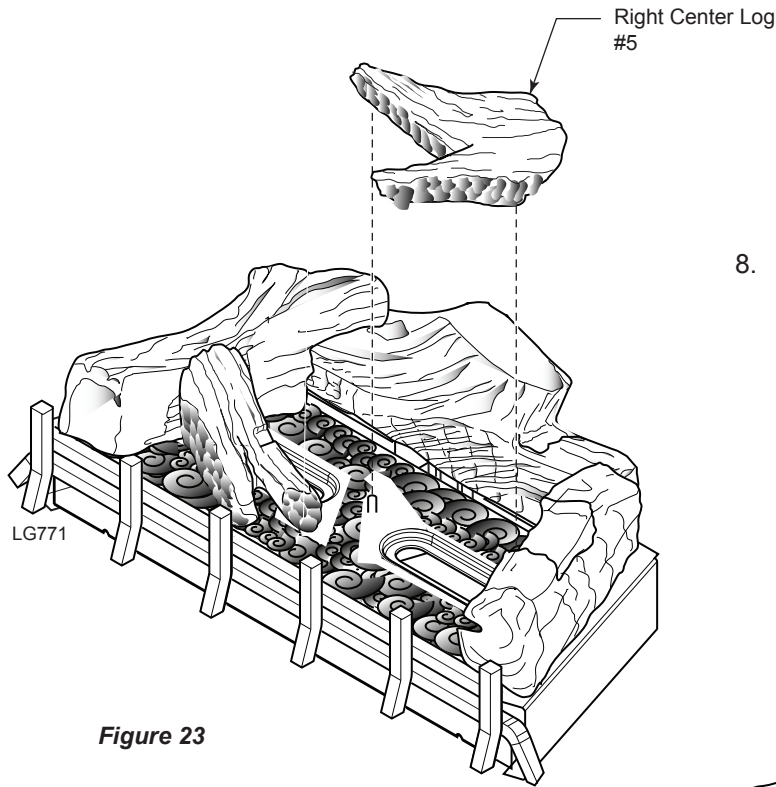


Figure 23

8. Set right center log #5 on center pin to the left of right base log. *Figure 23*

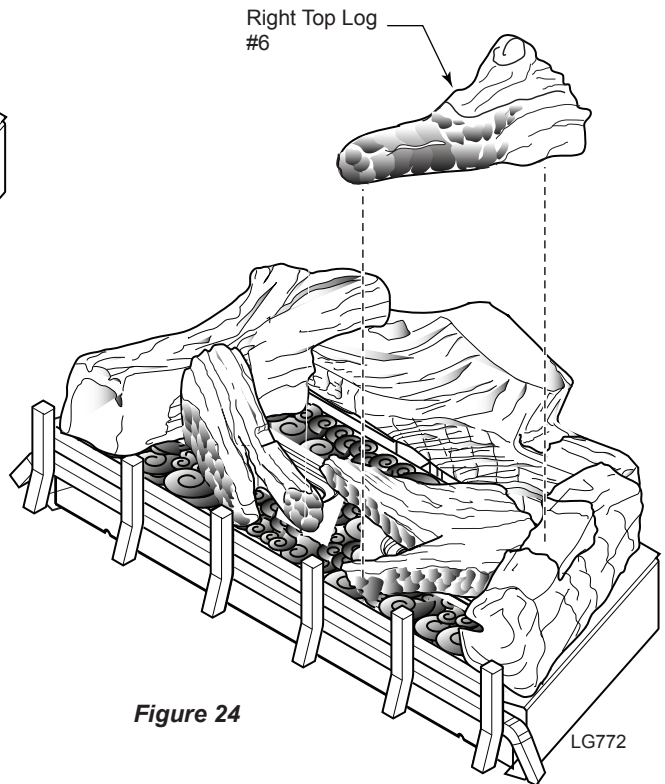


Figure 24

9. Place one end of right top log #6 on cutout of right base log. Align opposite end on right center log. *Figure 24*
10. Lay top "Y" log #7 across rear log and center logs. Log #1 and log #4 have cut-outs for log #7. *Figure 25*

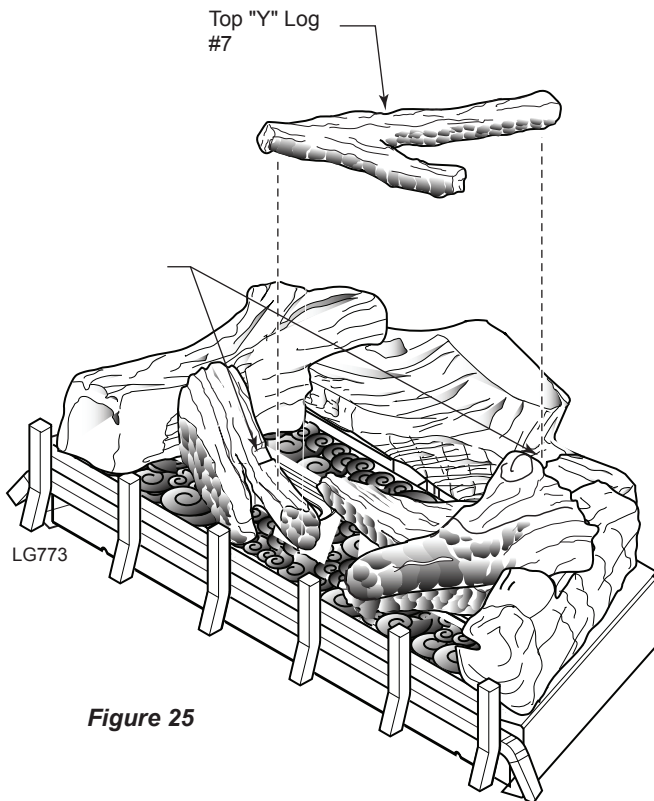


Figure 25

SURROUND INSTALLATION

1. Attach the eyebrow canopy to the surround using three (3) screws provided. *Figure 26*
2. Ensure glass frame is centered on unit. Install surround on unit by aligning four (4) hooks on back of surround with four (4) square notches on unit. *Figure 27*

3. Install glass frame cover by aligning four (4) hooks on back of glass frame cover with the same four (4) square notches surround is installed in. Make sure glass frame cover is fully seated. *Figure 28*
4. Install lower door by aligning notches in door with shoulder bolts installed on bottom of surround. *Figure 28*

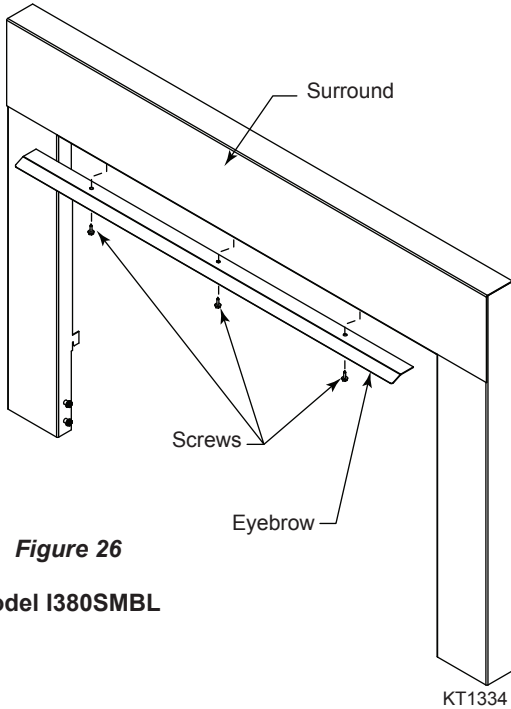


Figure 26

Model I380SMBL

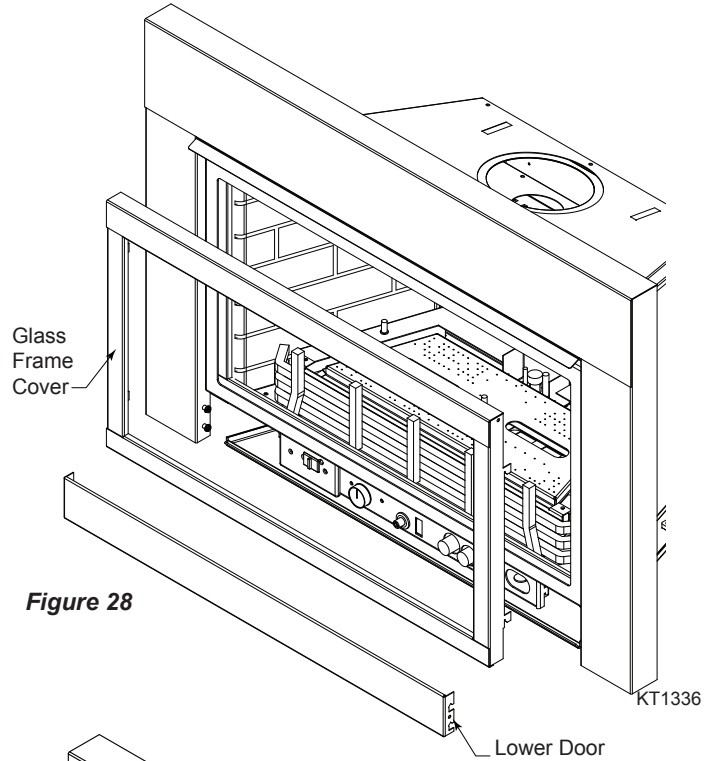


Figure 28

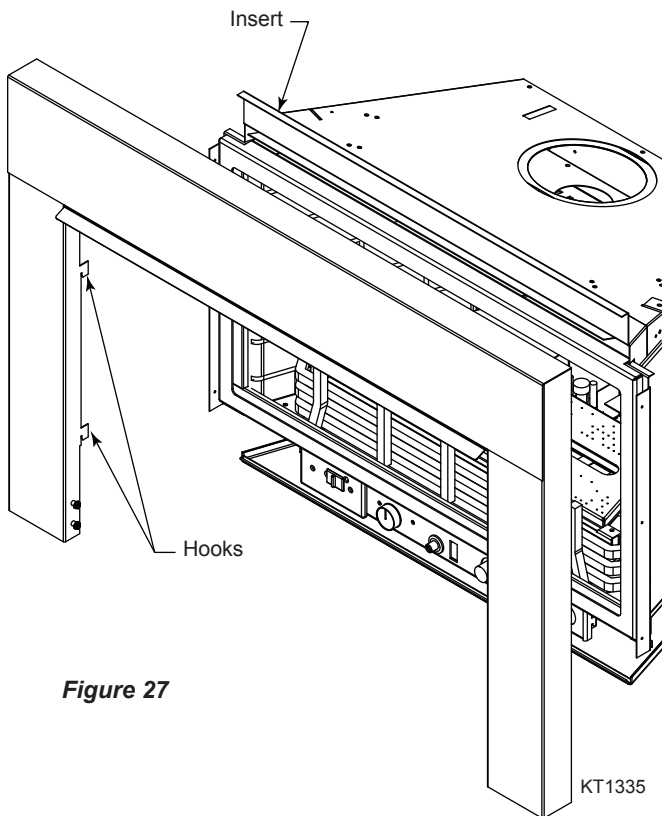
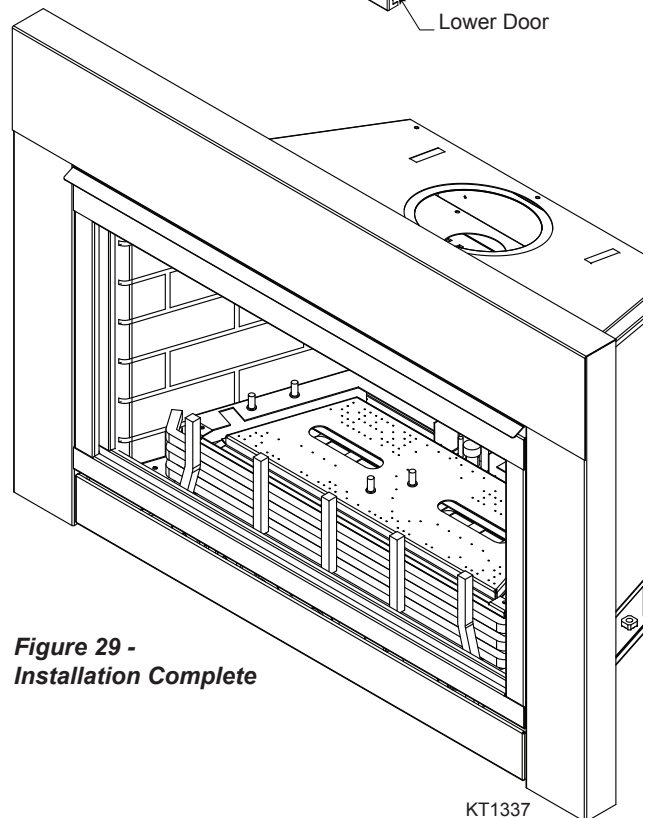


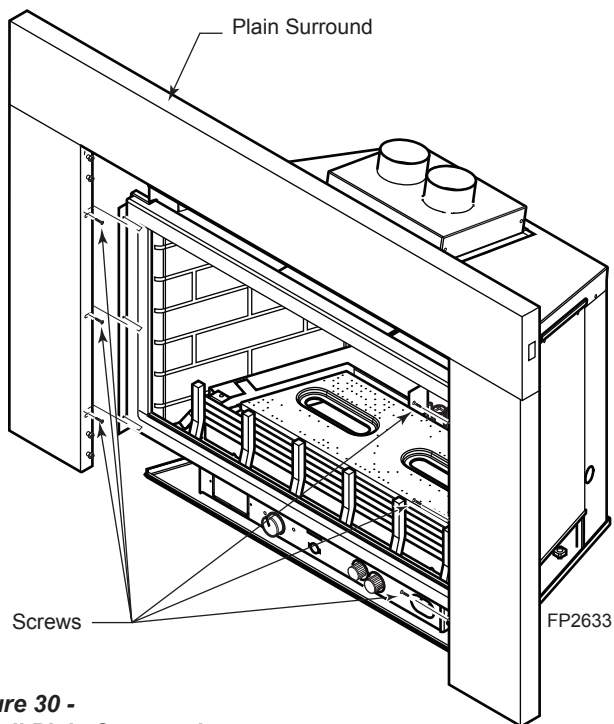
Figure 27



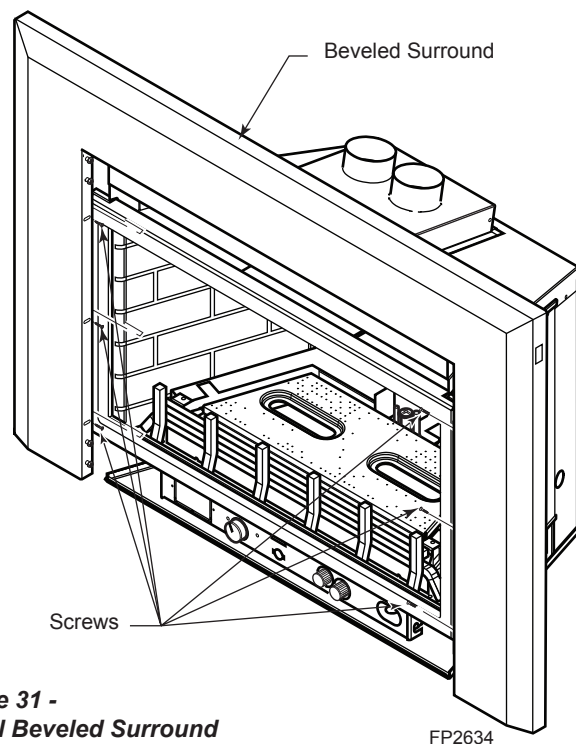
**Figure 29 -
Installation Complete**

SURROUND INSTALLATION

1. Remove glass. *Page 29*
2. Align plain or beveled surround with unit opening.
3. Attach surround to unit with six (6) screws provided. *Figures 30 & 31*
4. Reinstall glass.



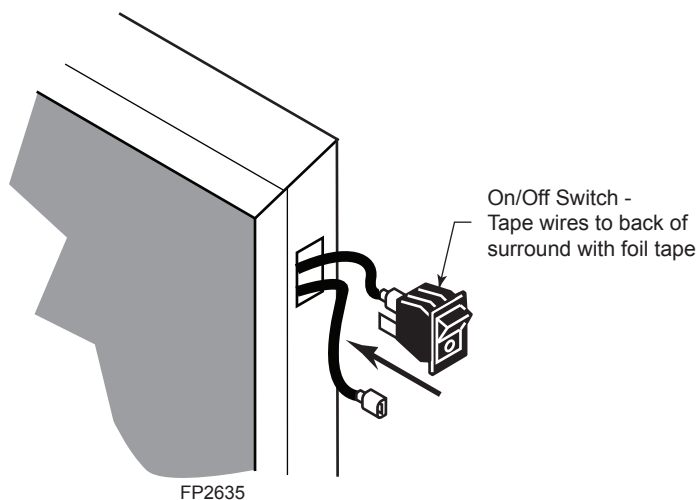
**Figure 30 -
Install Plain Surround**
Models IS380SSBL, I380SLBL



**Figure 31 -
Install Beveled Surround**
Models I380BSSBL, I380BSLBL

INSTALLING ON/OFF SWITCH

1. After installing surround, disconnect the on/off switch from wires leading from heater.
2. Insert switch into hole in upper right side of the trim. *Figure 32*
3. Reattach wires. *Figure 32*



**Figure 32 -
Install On/Off Switch**

INSTALLING FILIGREE PANELS AND CABINET DOOR FRAME

1. Slide cabinet door frame on to front of unit. Make sure the four (4) hooks of the cabinet door frame are inside four slots on front of unit. *Figure 33*
2. Slide top filigree panel on to four (4) shoulder screws located on the top of the surround. Slide bottom filigree panel on to four (4) shoulder screws located on the bottom of the surround. *Figure 34*

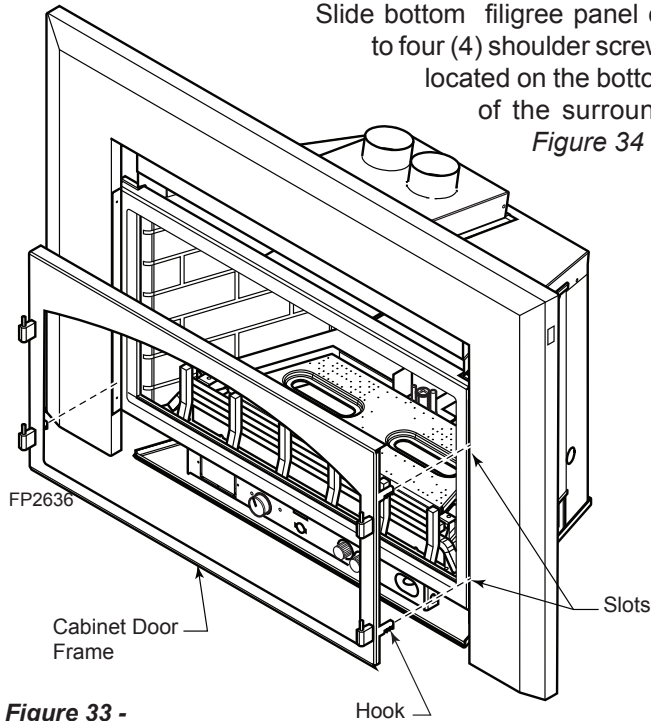


Figure 33 - Install Cabinet Door Frame

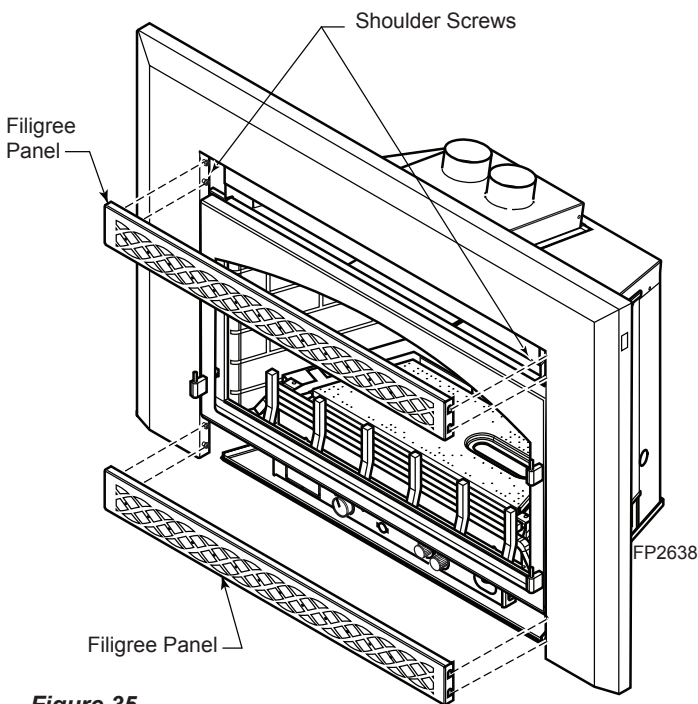


Figure 35 - Install Filigree Door Panels

INSTALLING DOORS

Slide one door onto hinges. Repeat for other door. *Figure 35*

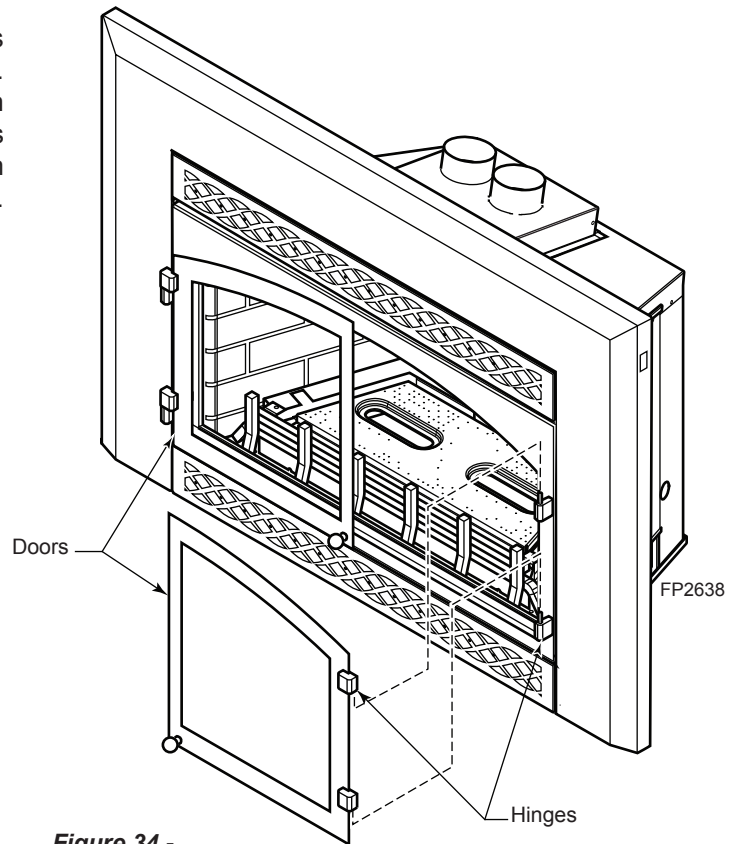


Figure 34 - Install Doors

NOTICE Remove all fingerprints from facing with a 50/50 vinegar and water solution before lighting the heater. Any fingerprints left on the facing will be permanent when heater is lit.

FOR YOUR SAFETY READ BEFORE LIGHTING**WARNING**

If you do not follow these instructions exactly, a fire or explosion may result causing property damage, personal injury or loss of life.

- A. This appliance is equipped with a pilot which must be lit with built-in piezo ignitor while following these instructions exactly.
- B. BEFORE OPERATING smell all around the appliance area for gas. Be sure to smell next to the floor because some gas is heavier than air and will settle on the floor.

WHAT TO DO IF YOU SMELL GAS:

- Turn off all gas to the appliance.
 - Open windows.
 - Do not attempt to light any appliance.
 - Do not touch any electric switch; do not use any phone in your building.
 - Immediately call your gas supplier from a neighbor's phone. Follow the gas supplier's instructions.
 - If you cannot reach your gas supplier, call the fire department.
- C. Use only your hand to push in, or turn the gas control knob. Never use tools. If the knob will not push in or turn by hand, don't try to repair it. Call a qualified service technician. Force or attempted repair may result in a fire or explosion.
- D. Do not use this appliance if any part of it has been under water. Immediately call a qualified service technician to inspect the appliance and to replace any part of the control system and any gas control that has been under water.

LIGHTING PILOT FOR THE FIRST TIME**INITIAL LIGHTING**

Purge air from the supply line as follows:

- Open main shutoff valve.
- Unscrew main pressure test point.
- Leave inlet test screw open until gas comes in.
- When gas is flowing, tighten inlet screw immediately.

WARNING

Never use an open flame to check for gas leak.

LEAK TESTING

1. Follow the pipe from the gas supply line connection to the gas valve. Check connection for leaks with soap and water mixture.
2. Next check for gas leaks at the burner with soap and water mixture.
3. Check the pilot for gas leaks with soap and water mixture.

LIGHTING PILOT FOR THE FIRST TIME

APPROVED LEAK TESTING METHOD

You may check for gas leaks with the following methods only:

- Soap and water solution
- An approved leak testing spray
- Electronic sniffer

WARNING

If using a soap and water solution to test for leaks, **DO NOT** spray solution onto control body.

DANGER

Never check for gas leak with open flame!

NOTE: Remove any excessive pipe compound from the connections. Excessive pipe compound can set off electronic sniffers.

Check for gas leaks in each of the following locations:


- Pipe from the gas supply line connection to the gas valve
- Burner connections
- Pilot
- Each joint or connection
- Field made joints / gas shutoff valve
- Factory made joints
- All joints on valve and control body

LIGHTING PILOT

WARNING

The control has an interlock device that does not allow the lighting of the fireplace up to the moment the safety device of the flame has not interrupted the gas flow. After that period of time (when the magnet is closed), it is possible to start the lighting operation.

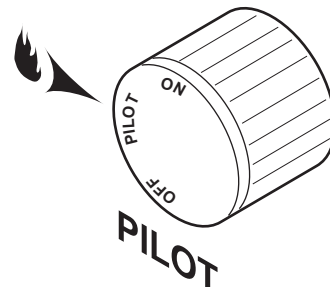
The gas control knob is designed to be operated by hand. **DO NOT** use any tools during this operation. Damaged knobs may result in serious injury.

1. Depress and turn knob counterclockwise  to pilot position.
2. Depress fully and hold pilot gas knob. Depress piezo igniter as many times as needed to ignite pilot. Keep knob fully depressed for a few seconds. Release and check that pilot continues to burn.

If the pilot does not stay lit, repeat steps 1 and 2.

WARNING

If the knob does not "pop" out to its original position when released, turn off gas to appliance and contact qualified service technician.



Pilot Position

Continued on next page

LIGHTING BURNER

MAIN BURNER SWITCH

The “ON/OFF” switch for the main burner can be found on the right side of insert surround. This switch allows you to turn on and to turn off the main burner without using the gas valve knob. Make sure the button is in the “ON” position to light the main burner.

LIGHTING THE BURNER

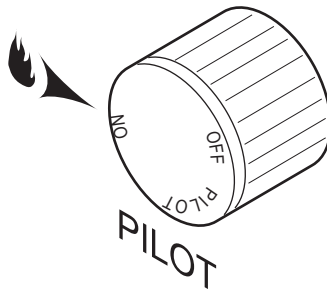
Depress and turn the knob counterclockwise ↶ to the “ON” position. It will take less than four (4) seconds for the burner to ignite.

PILOT POSITION

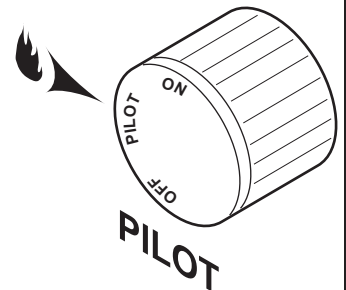
Depress and turn knob to pilot position to keep burner off while maintaining the pilot light.



On/Off Switch



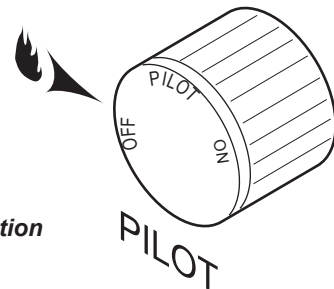
On Position



Pilot Position

TO TURN OFF GAS

Depress and turn knob clockwise ↷ to “OFF” position.

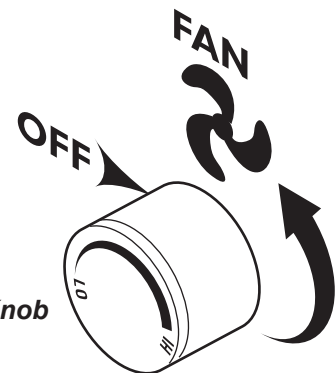


Off Position

ADJUSTING BLOWER SPEED

The internal blower helps transfer heat from heater into room. It will not turn on until heater is up to temperature (approximately 10 minutes after starting).

To turn blower off, turn knob all the way counterclockwise ↶. One click clockwise turns blower to high speed. Turning knob clockwise ↷ from high position decreases speed of blower.

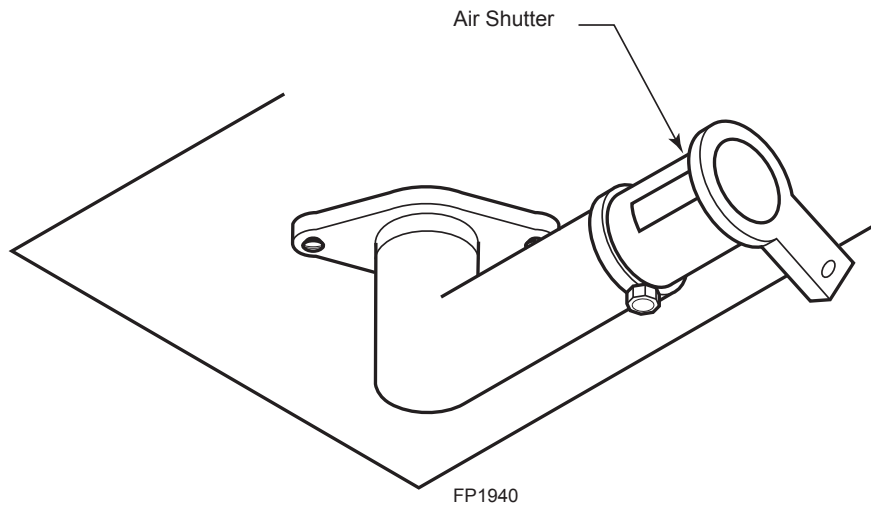


Blower Knob

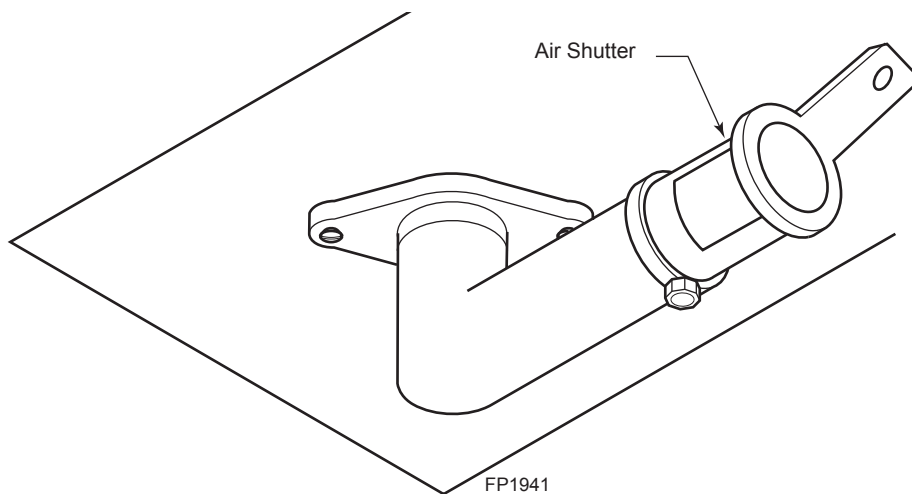
ADJUST THE AIR SHUTTER

The venturi of the burner is equipped with an air shutter. The opening of the venturi has been set at 1/4" for Natural Gas and fully open for Propane installation at sea level. The burner on Natural Gas models may be adjusted for high altitude as follows:

- To increase air mixture, open the shutter more. This will reduce soot formation. *Figure 36*
- To decrease air mixture, close the shutter. Flames will be more yellow. *Figure 37*



**Figure 36 -
Push Adjustment Lip Up to Open Air Shutter**



**Figure 37 -
Pull Adjustment Lip to Close Air Shutter**

CAUTION

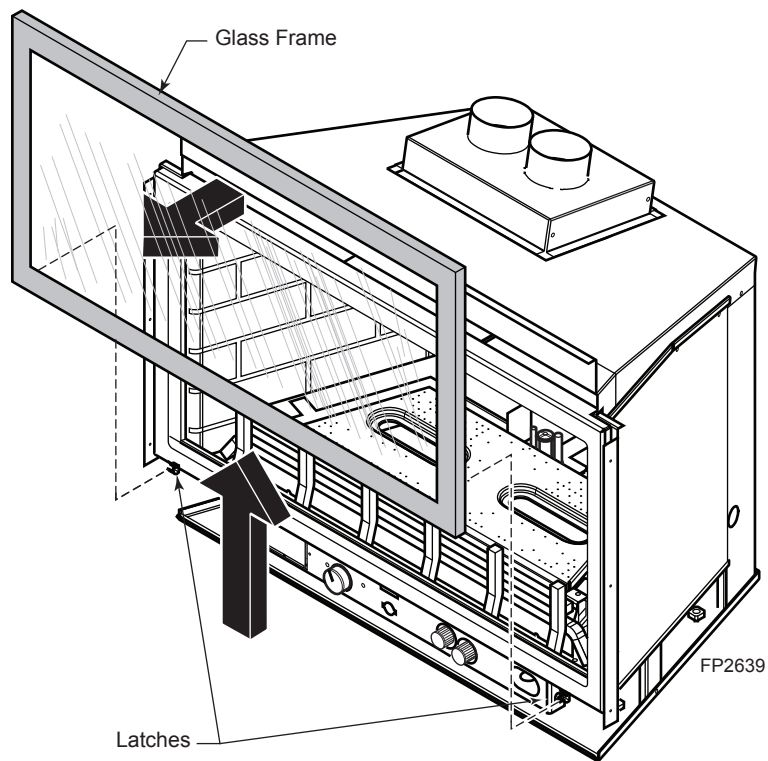
Always use gloves when handling broken glass.

WARNING

Make sure the glass panel edges do not touch any metal parts during thermal expansion.

GLASS REPLACEMENT

1. Put on gloves. Remove glass frame from insert by releasing two latches on bottom of insert and lifting the door up and off the unit. *Figure 38*
2. Carefully remove broken glass.
3. Slide new glass frame back down onto insert and fasten two latches. *Figure 38*



**Figure 38 -
Glass Frame Removal**

Make sure the gas valve knob is in the "OFF" position. Wait at least five (5) minutes before start-ing maintenance.

VENTING SYSTEM

A qualified agency should examine the venting system annually.

CLEANING GLASS

Clean the ceramic glass periodically. Condensation will sometimes form on the glass during a cold startup. This is normal for all gas fireplaces and inserts. This condensation often attracts dust and lint to the surface of the glass. The initial paint curing of the appliance can also leave a slight film on the glass. This is a temporary problem.

You should clean the glass after the first two weeks of use. After that, you should clean the glass no more than two or three times a season. Use a mild glass cleaner to clean the door. Do not use abrasive cleaners. They will damage the glass surface.

PILOT AND BURNER FLAMES

Visually check pilot and burner flames periodically. Refer to Figure 39 for typical burner flame. Refer to Figure 40 for typical pilot flame.

CAUTION

Allow glass to cool completely before cleaning.
Do not clean glass when it is hot.
Damage could occur.

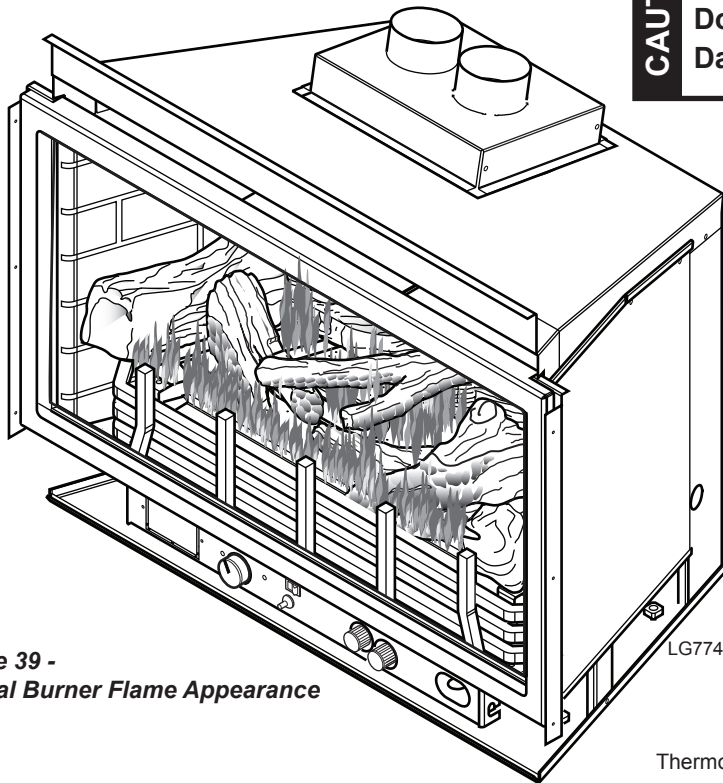


Figure 39 -
Typical Burner Flame Appearance

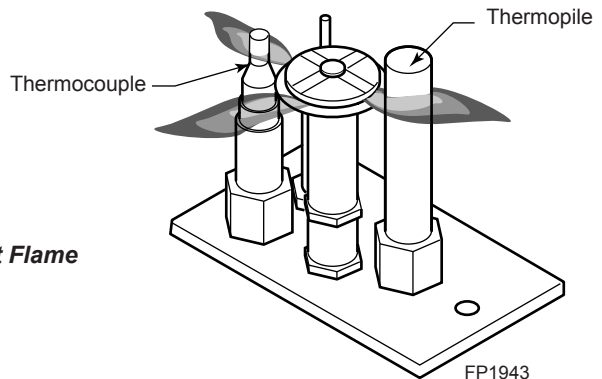


Figure 40 -
Typical Pilot Flame

FIREBOX CLEANING**WARNING**

- **Allow logs to cool completely before cleaning. Logs reach high temperatures.**
- **Make sure clearances to combustibles leave enough room for maintenance and service.**
- **Carefully reassemble and reseal insert properly after any cleaning or servicing.**

1. Carefully remove log set, and embers from combustion chamber.
2. Vacuum burner compartment thoroughly.
3. Vacuum any dust off logs.
4. Remove any lint from main burner and pilot.
5. Carefully replace log set, and embers in their correct positions. *Refer to Pages 19 through 21.*
6. Replace door.
7. Relight pilot. *Refer to Page 25.*
8. Turn on main burners.

MAINTAINING YOUR HEATER'S APPEARANCE

Fingerprints or other marks left on optional gold or nickel surface may become etched in place if they are not wiped clean prior to turning stove on. Clean gold or nickel with a 50/50 vinegar and water solution and soft cloth.

NOTE: Make sure heater is cool before cleaning. Using cleaners other than a 50/50 vinegar and water solution may leave a film that becomes permanently etched into the gold or nickel.

YEARLY SERVICE PROCEDURE

Failure to inspect and maintain heater may lead to improper combustion and a potentially dangerous situation. A qualified technician should do the following once a year.

1. Check pilot flame. Flame should touch approximately 3/8" of the top of thermopile and touch top of thermocouple. *Figure 41*. If not, contact dealer for service.
2. Turn gas control knob to "OFF" position to shut off gas to heater. See step "To Turn Off Gas", Page 27. Allow heater to cool for 15 minutes. Remove faceplate (see instructions included with face plate) and glass. *Page 29*.
3. Carefully remove log set. If logs are severely deteriorated, replace logs. Check logs for sooting. A small amount of soot along bottom of logs is normal. If excessive sooting is found, heater must be adjusted. Contact dealer where you bought heater.
4. Clean burner and burner ports. *Figure 42*
5. Replace log set and rock wool per instructions on Pages 19-21. Replace glass. Make sure gasket along perimeter of glass contacts face of firebox and forms an airtight seal. Realign if airtight seal is not formed. Replace glass and glass frame if damaged.
6. Inspect area behind face plate. Clean if necessary. Check gas control valve and all gas lines. If damaged, do not use heater. Contact your dealer.
7. Start pilot and turn on main burner. Flames should be orange/yellow and not touch top of firebox. If pilot or main burners do not burn correctly, contact your dealer for service. Monitor blower operation.

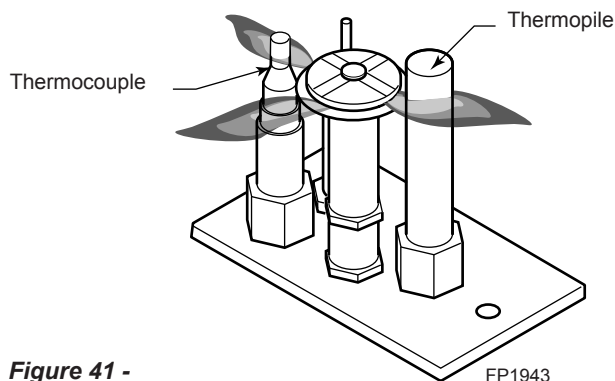


Figure 41 -
Before taking unit apart, check pilot flame. Flame should touch thermocouple and thermopile.

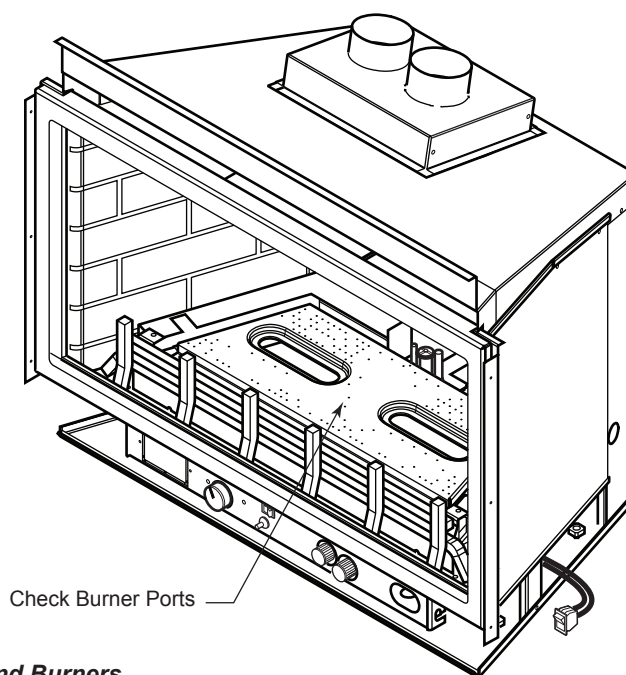


Figure 42 -
Check Burner Ports and Burners

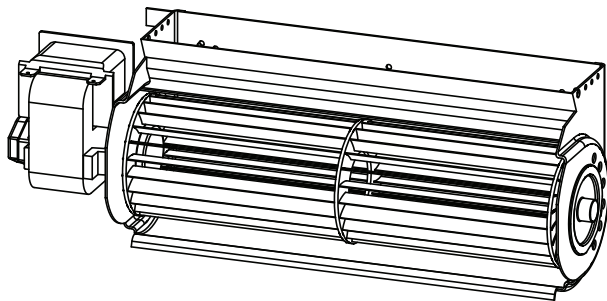
WARNING	<p>Turn appliance OFF and allow to cool before servicing. Only a qualified service person should service and repair the heater.</p>
----------------	--

NOTE: All troubleshooting items are listed in order of operation.

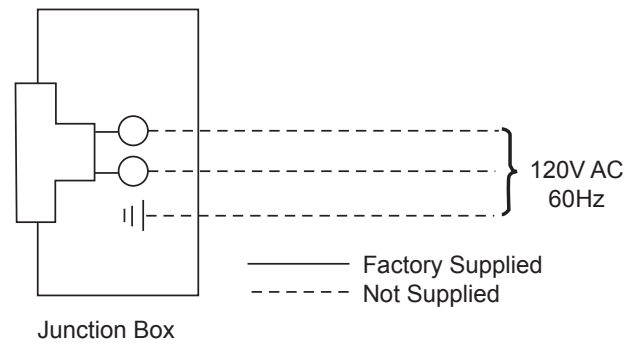
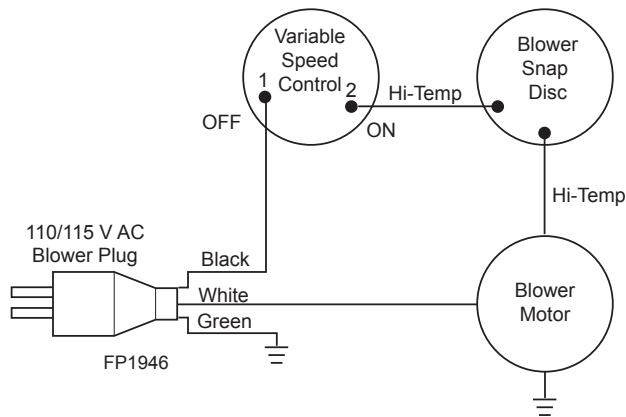
OBSERVED PROBLEM	POSSIBLE CAUSE	REMEDY
Piezo ignitor will not light the pilot after repeated pressing of piezo ignitor.	<ol style="list-style-type: none"> 1. Defective ignitor 2. Misaligned spark electrode 	<ol style="list-style-type: none"> 1. Check connections to ignitor. Replace ignitor if ignitor connections are good, but there is no spark. 2. Check for spark arcing from the electrode to pilot. Adjust and retighten.
Pilot will not stay lit.	<ol style="list-style-type: none"> 1. Defective thermocouple. Loose thermocouple 2. Air in gas line 3. No gas 	<ol style="list-style-type: none"> 1. Check for proper connection of thermocouple to rear of valve. 2. Bleed line. Contact dealer 3. Check shutoff valve and gas supply (LPG tank)
Burner will not light when valve and burner switch are both on.	<ol style="list-style-type: none"> 1. Defective switch 2. Defective thermopile 3. Thermostat set too low/defective 	<ol style="list-style-type: none"> 1. Check switch connections. Jump wires at switch. 2. Check connections to valve. Contact dealer. 3. Turn up thermostat to start unit. Check thermostat connections.
Glass fogs up	<ol style="list-style-type: none"> 1. Normal condition 	<ol style="list-style-type: none"> 1. Allow appliance to warm up. Glass will clear. Additives in the gas may dirty glass. Clean glass when cool.
Blue flames	<ol style="list-style-type: none"> 1. Normal during start up 	<ol style="list-style-type: none"> 1. Flames will yellow as appliance heats up.
Sooting	<ol style="list-style-type: none"> 1. Flame impingement 	<ol style="list-style-type: none"> 1. Check log position. Open shutters to increase primary air.

BLOWER PARTS LIST:

Description	Qty.	Part No.
Blower	1	20302445
Parts not shown		
Thermostat Bracket	1	26D3320
Thermostat	1	49D0130
Speed Control	1	26D0746
Wire Harness	1	41D0203



CAUTION Label all wires prior to disconnection when servicing controls. Wiring errors can cause improper and dangerous operation. Verify proper operation after servicing.

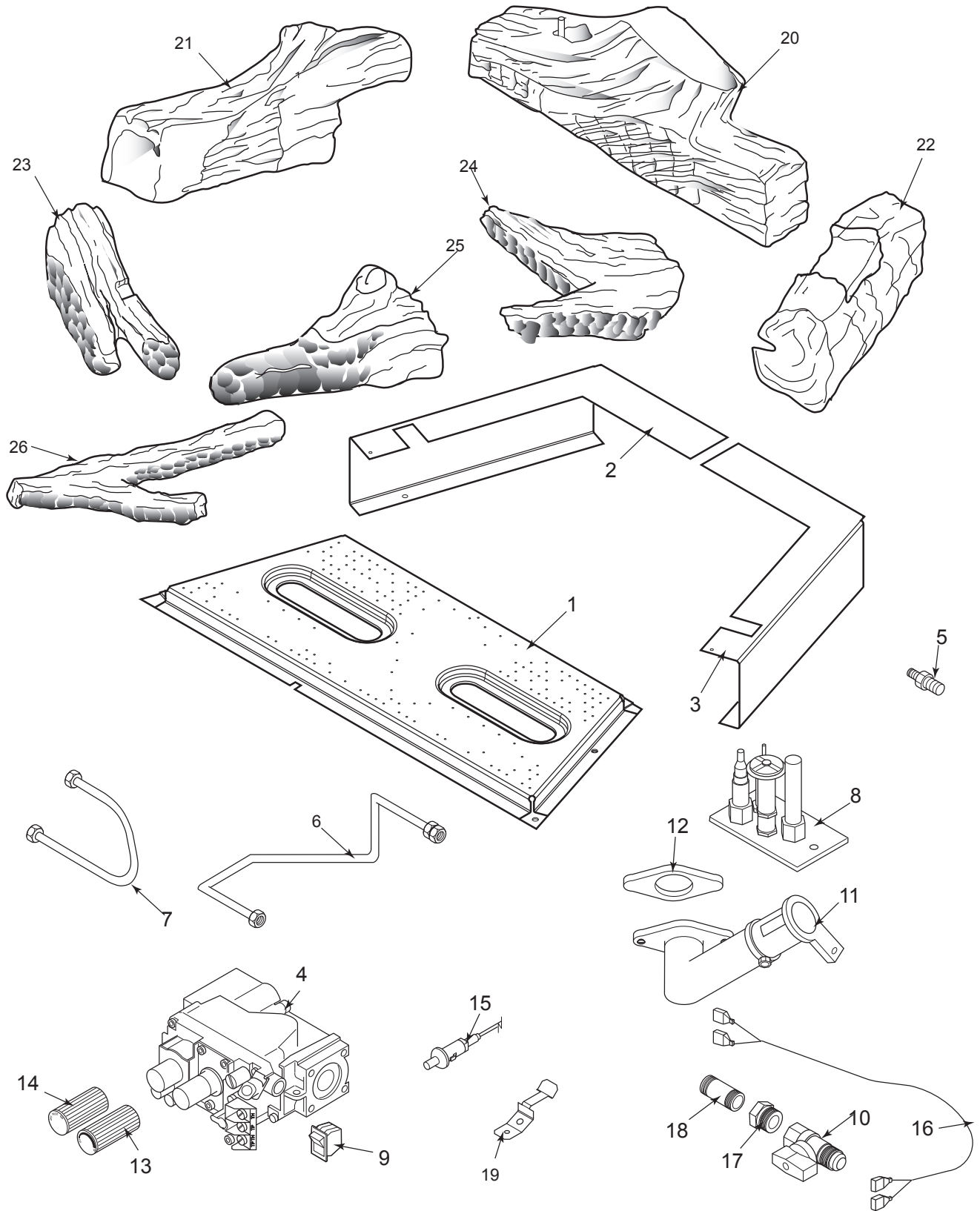


Junction Box Wiring Diagram

NOTE: Blower removal can be accomplished from the rear of the unit by removing the rear blower access panel and removing the screws that secure the blower.

The blower may be removed from the front of the unit by removing the complete engine base and the screws that secure the blower.

NOTE: Unplug power cord before servicing.



Item	Description	Qty.	380IDVNVC	380IDVPVC	490IDVNVC	490IDVPVC
			Natural	Propane	Natural	Propane
1.	Burner Assembly	1	57D0022	57D0022	57D0502	57D0502
2.	Left Log Support Bracket	1	57D0076	57D0076	57D0548	57D0548
3.	Right Log Support Bracket	1	57D0078	57D0078	57D0550	57D0550
4.	SIT820 Nova Valve	1	37D0117	37D0118	37D0117	37D0118
5.	Injector	1	57D0209	57D0210	57D0679	57D0680
6.	Tube from Valve	1	57D0111	57D0111	57D0566	57D0566
7.	Tube from Venturi	1	57D0112	57D0112	57D0567	57D0567
8.	Pilot Assembly	1	37D0018	37D0019	37D0018	37D0019
9.	Rocker Switch	1	32D0232	32D0232	32D0232	32D0232
10.	Shut Off Valve	1	23D6046	23D6046	23D6046	23D6046
11.	Venturi	1	45D0059	45D0059	45D0059	45D0059
12.	Burner Gasket	1	45D0032	45D0032	45D0032	45D0032
13.	Hi/Lo Knob Extension	1	43D0095	43D0095	43D0095	43D0095
14.	ON/OFF Knob Extension	1	43D0094	43D0094	43D0094	43D0094
15.	Piezo Ignitor	1	14D0503	14D0503	14D0503	14D0503
16.	ON/OFF Wire Harness	1	48D0163	48D0163	48D0163	48D0163
17.	Hex Bushing 1/2" x 3/8"	1	57D0007	57D0007	57D0007	57D0007
18.	Nipple 3/8" x 1.50"	1	P1012	P1012	P1012	P1012
19.	Disk Bracket	1	26D3320	26D3320	26D3320	26D3320
20.	Rear Log #1	1	57D0170	57D0170	57D0622	57D0622
21.	Left Log #2	1	57D0171	57D0171	57D0623	57D0623
22.	Right Log #3	1	57D0172	57D0172	57D0624	57D0624
23.	Left Center Log #4	1	57D0173	57D0173	57D0625	57D0625
24.	Right Center Log #5	1	57D0174	57D0174	57D0626	57D0626
25.	Right Top Log #6	1	57D0175	57D0174	57D0627	57D0627
26.	"Y" Log #7	1	57D0176	57D0176	57D0628	57D0628
Available, Not Shown						
	Left Brick Liner	1	57D0122	57D0122	57D0576	57D0576
	Rear Brick Liner	1	57D0123	57D0123	57D0577	57D0577
	Right Brick Liner	1	57D0124	57D0124	57D0578	57D0578
	Glass Door Assembly	1	57D0027	57D0027	57D0505	57D0505

ACCESSORIES

Wall Switch	MVWS
Wall Thermostat	WT
Hand Held Remote ON/OFF	RCB, RCBE, RCMT, TMSC
Hand Held Remote Thermostat	RCST, RCSTE, RCT, WWTD, TSST

WARNING

Failure to position the parts in accordance with these diagrams or failure to use only parts specifically approved with this appliance may result in property damage or personal injury.

Massachusetts Residents Only — Please read and follow these special requirements

NOTE REGARDING VENTED PRODUCTS

This product must be installed by a licensed plumber or gas fitter when installed within the Commonwealth of Massachusetts.

Any residence with a direct vent product must have a CO detector installed in the residence.

Installation of the fireplace or vented gas log in the State of Massachusetts requires the damper to be permanently removed or welded in the fully open position.

In addition, a naturally vented gas log may not be installed in a bedroom or bathroom in the State of Massachusetts.

Flex line installation must not exceed 36 inches and must have a T shutoff valve.

NOTE REGARDING VENT FREE PRODUCTS

This product must be installed by a licensed plumber or gas fitter when installed within the Commonwealth of Massachusetts.

In addition, vent free products may not be installed in a bedroom or bathroom regardless of size or type in the State of Massachusetts.

Flex line installation must not exceed 36 inches and must have a T shutoff valve.

CARBON MONOXIDE DETECTOR REQUIREMENTS

(2) Revise 10.8.3 by adding the following additional requirements:

(a) For all side wall horizontally vented gas fueled equipment installed in every dwelling, building or structure used in whole or in part for residential purposes, including those owned or operated by the Commonwealth and where the side wall exhaust vent termination is less than seven (7) feet above finished grade in the area of the venting, including but not limited to decks and porches, the following requirements shall be satisfied:

1. **Installation of carbon monoxide detectors.** At the time of installation of the side wall horizontal vented gas fueled equipment, the installing plumber or gas fitter shall observe that a hard wired carbon monoxide detector with an alarm and battery back-up is installed on the floor level where the gas equipment is to be installed. In addition, the installing plumber or gas fitter shall observe that a battery operated or hard wired carbon monoxide detector with an alarm is installed on each additional level of the dwelling, building or structure served by the side wall horizontal vented gas fueled equipment. It shall be the responsibility of the property owner to secure the services of qualified licensed professionals for the installation of hard wired carbon monoxide detectors

a. In the event that the side wall horizontally vented gas fueled equipment is installed in a crawl space or an attic, the hard wired carbon monoxide detector with alarm and battery back-up may be installed on the next adjacent floor level.

b. In the event that the requirements of this subdivision can not be met at the time of completion of installation, the owner shall have a period of thirty (30) days to comply with the above requirements; provided, however, that during said thirty (30) day period, a battery operated carbon monoxide detector with an alarm shall be installed.

2. **Approved Carbon Monoxide Detectors.** Each carbon monoxide detector as required in accordance with the above provisions shall comply with NFPA 720 and be ANSI/UL 2034 listed and IAS certified.

3. **Signage.** A metal or plastic identification plate shall be permanently mounted to the exterior of the building at a minimum height of eight (8) feet above grade directly in line with the exhaust vent terminal for the horizontally vented gas fueled heating appliance or equipment. The sign shall read, in print size no less than one-half (1/2) inch in size, "GAS VENT DIRECTLY BELOW. KEEP CLEAR OF ALL OBSTRUCTIONS."

4. **Inspection.** The state or local gas inspector of the side wall horizontally vented gas fueled equipment shall not approve the installation unless, upon inspection, the inspector observes carbon monoxide detectors and signage installed in accordance with the provisions of 248 CMR 5.08(2)(a)1 through 4.

(b) **Exemptions:** The following equipment is exempt from 248 CMR 5.08(2)(a)1 through 4:

1. The equipment listed in Chapter 10 entitled "Equipment Not Required To Be Vented" in the most current edition of NFPA 54 as adopted by the Board; and

2. Product Approved side wall horizontally vented gas fueled equipment installed in a room or structure separate from the dwelling, building or structure used in whole or in part for residential purposes.

(c) **Manufacturer requirements — Gas Equipment Venting System Provided.** When the manufacturer of Product Approved side wall horizontally vented gas equipment provides a venting system design or venting system components with the equipment, the instructions provided by the manufacturer for installation of the equipment and the venting system shall include:

1. Detailed instructions for the installation of the venting system design or the venting system components; and

2. A complete parts list for the venting system design or venting system.

(d) **Manufacturer requirements — Gas Equipment Venting System Not Provided.** When the manufacturer of a Product Approved side wall horizontally vented gas fueled equipment does not provide the parts for venting the flue gases, but identifies "special venting systems," the following requirements shall be satisfied by the manufacturer:

1. The referenced "special venting system" instructions shall be included with the appliance or equipment installation instructions; and

2. The "special venting systems" shall be Product Approved by the Board, and the instructions for that system shall include a parts list and detailed installation instructions.

(e) A copy of all installation instructions for all Product Approved side wall horizontally vented gas fueled equipment, all venting instructions, all parts lists for venting instructions, and/or all venting design

LIMITED LIFETIME WARRANTY POLICY

LIFETIME WARRANTY

The following components are warranted for life to the original owner, subject to proof of purchase: Firebox, Combustion Chamber, Heat Exchanger, Grate and Stainless Steel Burners.

FIVE YEAR WARRANTY

The following components are warranted five (5) years to the original owner, subject of proof of purchase: Ceramic Fiber Logs.

BASIC WARRANTY

MHSC warrants the components and materials in your gas appliance to be free from manufacturing and material defects for a period of two years from date of installation. After installation, if any of the components manufactured by MHSC in the appliance are found to be defective in materials or workmanship, MHSC will, at its option, replace or repair the defective components at no charge to the original owner. MHSC will also pay for reasonable labor costs incurred in replacing or repairing such components for a period of two years from date of installation. Any products presented for warranty repair must be accompanied by a dated proof of purchase.

This Limited Lifetime Warranty will be void if the appliance is not installed by a qualified installer in accordance with the installation instructions. The Limited Lifetime Warranty will also be void if the appliance is not operated and maintained according to the operating instructions supplied with the appliance, and does not extend to (1) firebox/burner assembly damage by accident, neglect, misuse, abuse, alterations, negligence of others, including the installation thereof by unqualified installers, (2) the costs of removal, reinstallation or transportation of defective parts on the appliance, or (3) incidental or consequential damage. All service work must be performed by an authorized service representative.

This warranty is expressly in lieu of other warranties, express or implied, including the warranty of merchantability of fitness for purpose and of all other obligations or liabilities. MHSC does not assume for it any other obligations or liabilities in connection with sale or use of the appliance. It states that do not allow limitations on how long an implied warranty lasts, or do not allow exclusion of indirect damage, those limitations of exclusions may not apply to you. You may also have additional rights not covered in the Limited Lifetime Warranty.

MHSC reserves the right to investigate any and all the claims against the Limited Lifetime Warranty and decide upon method of settlement.

IF WARRANTY SERVICE IS NEEDED...

1. Contact your supplier. Make sure you have your warranty, your sales receipt and the model/serial number of your MHSC product.
2. DO NOT ATTEMPT TO DO ANY SERVICE WORK YOURSELF.

Canada

ENERGUIDE

**Look for the EnerGuide
Gas Fireplace Energy
Efficiency Rating in this brochure**

Based on CSA P.4.1-09

Efficiency Ratings	
Model	EnerGuide Ratings Fireplace Efficiency (%)
380IDVNVC	69.6
380IDVPVC	66.2
490IDVNVC	69.8
490IDVPVC	67.2

MHSC

149 Cleveland Drive • Paris, Kentucky 40361
www.mhsc.com