

This Owner's Manual is provided and hosted by [Appliance Factory Parts](#).



MAJESTIC 331SDG INSERT Owner's Manual

[Shop genuine replacement parts for MAJESTIC
331SDG INSERT](#)



[Find Your MAJESTIC Fireplace Parts - Select From 585 Models](#)

----- Manual continues below -----

PRODUCT SPECIFICATIONS
33ISDG Vent Free Insert



INTERIOR DIMENSIONS

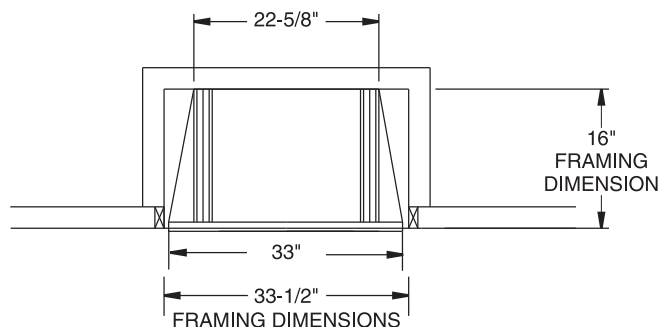
- Front opening width - 27"
- Front opening height - 14-1/2"
- Rear wall width - 21"
- Firebox depth - 13"

TECHNICAL INFORMATION

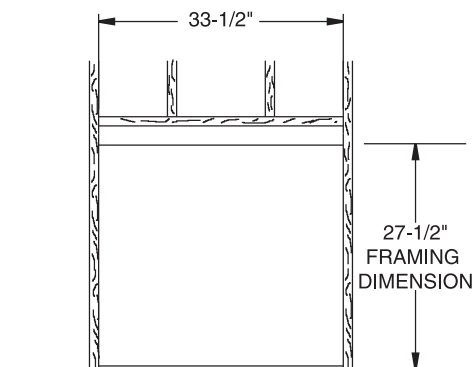
- Max. BTU Input: 28,000 BTU/HR
- Ignition System: Standing Pilot
- Gas Type: Natural or LP
- Controls: Thermostat or Millivolt
- Clearance to Fireplace: Zero
- CSA Design Certified

FIELD INSTALLED ACCESSORIES

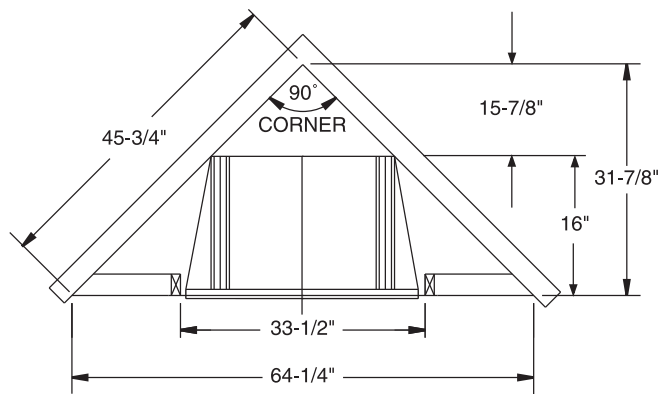
- Louvers: Polished Brass
- Black Small Face Plate (33" H x 43" W): Includes Brass Trim
- Black Large Face Plate (36" H x 50" W): Includes Brass Trim
- Volcanic Rock
- Ceramic Fiber Cinders
- Ambient Technologies™ Remote Controls and Thermostats



TOP VIEW



FRONT VIEW



CORNER VIEW



A Brand of Monessen Hearth Systems Co.
 149 Cleveland Drive, Paris, Kentucky 40361
www.majesticproducts.com



To avoid personal injury or property damage, the product described by this brochure must be installed, operated and maintained in strict compliance with the instructions packaged with the product and all applicable building or fire codes. Contact local building or fire officials about restrictions and installation inspection requirements. All photographs and drawings on this brochure are for illustrative purposes only and are not intended for, nor should they be used as a substitute for the instructions packaged with the unit. Appearance and specifications of the product are subject to change without notice. 04/09