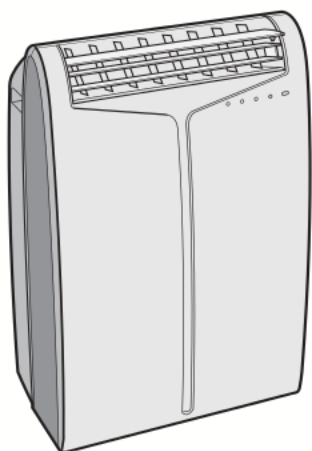


SHARP PARTS GUIDE



PORTABLE AIR CONDITIONER MODEL CV10NH

CONTENTS

- | | |
|-----------------------|---------------------|
| [1] Outside parts | [5] Accessory parts |
| [2] Inside parts | [6] Packing parts |
| [3] Control box parts | ■ INDEX |
| [4] Cycle parts | |

"HOW TO ORDER REPLACEMENT PARTS"

To have your order filled promptly and correctly, please furnish the following information.

- | | |
|-----------------|----------------|
| 1. MODEL NUMBER | 2. REF. No. |
| 3. PART NO. | 4. DESCRIPTION |

★ MARK: SPARE PARTS-DELIVERY SECTION

For U.S.A. only

Contact your nearest SHARP Parts Distributor to order.

For location of SHARP Parts Distributor,
Please call Toll-Free;
1-800-BE-SHARP

Parts marked with "▲" are important for maintaining the safety of the set. Be sure to replace these parts with specified ones for maintaining the safety and performance of the set.

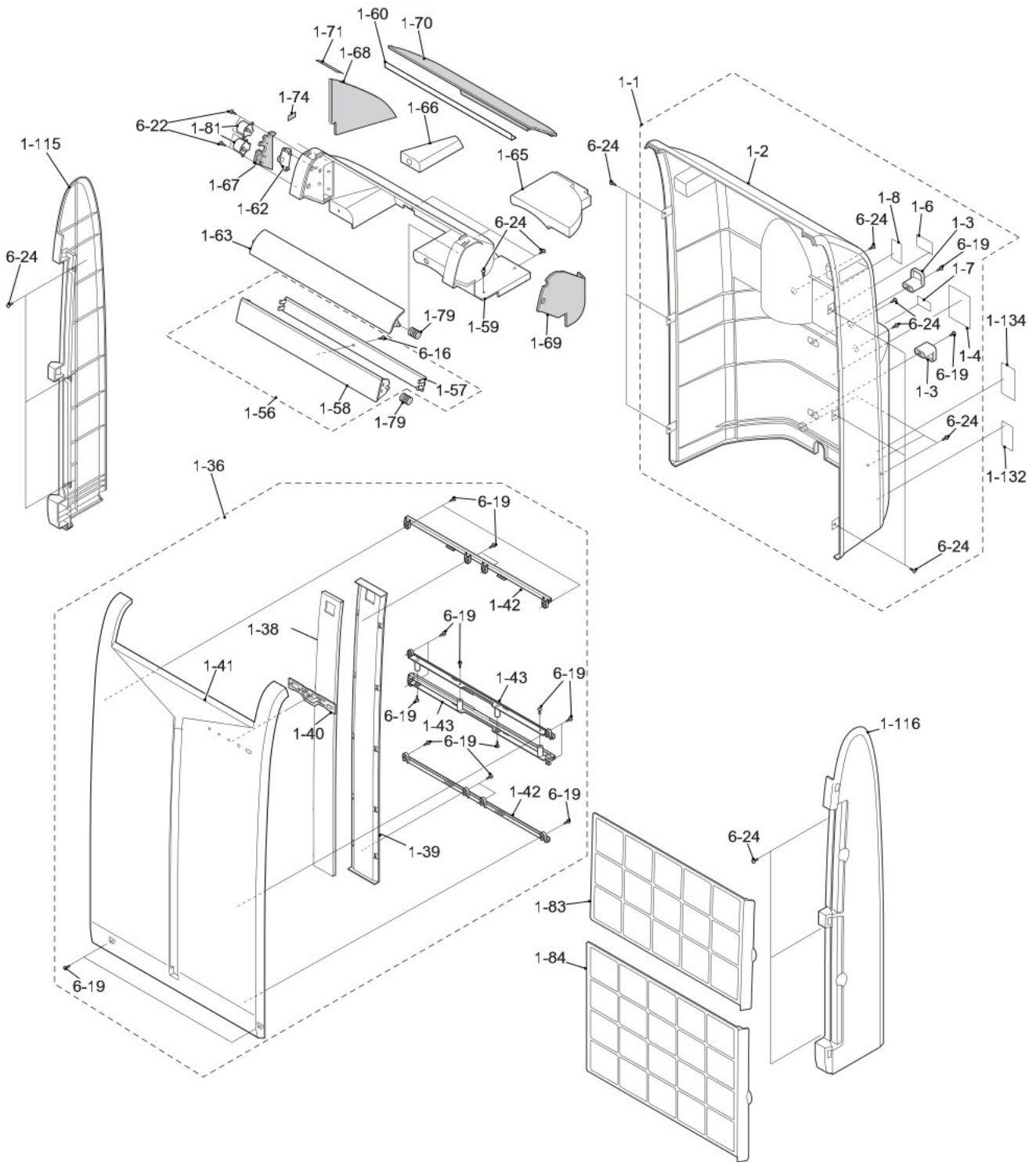
SHARP CORPORATION

This document has been published to be used
for after sales service only.
The contents are subject to change without notice.

CV10NH

[1] Outside parts

[1] Outside parts

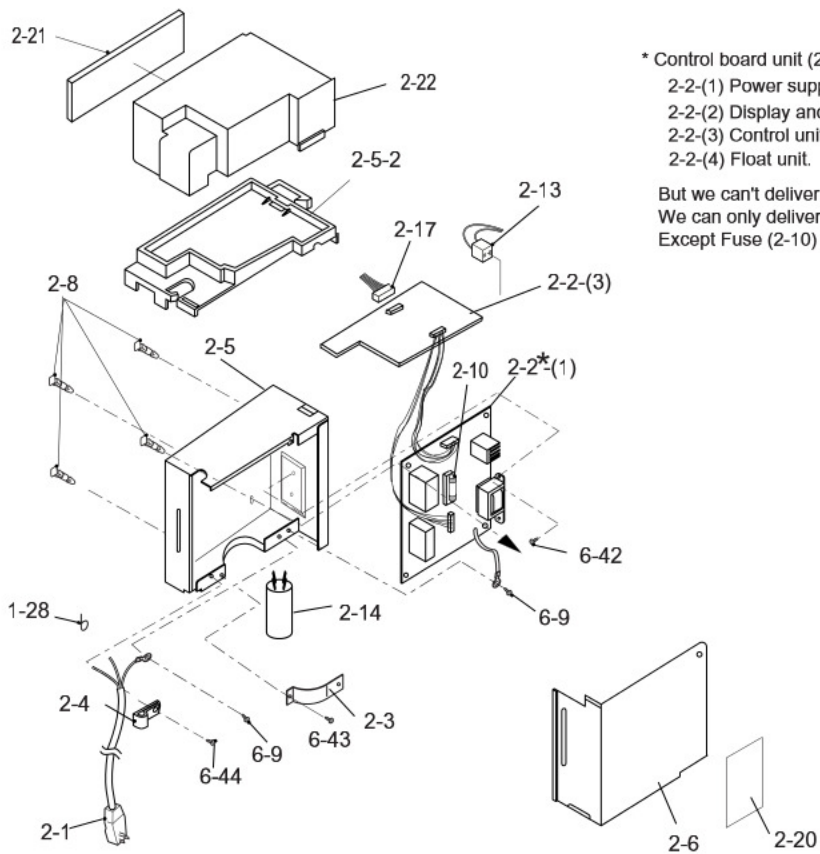


NO.	PARTS CODE	PRICE RANK	NEW MARK	PART RANK	DESCRIPTION
[1] Outside parts					
1-1	CCAB-A470JBKZ	BP	N		CABINET ASS'Y
1-2	GCAB-A292JBFF	BG			CABINET
1-3	LHLD-A735JBFC	AF			CORD HOLDER
1-4	TLAB-D370JBRZ	AF	N		DRAIN CAUTION LABEL
1-6	TLAB-C974JBRZ	AF			LABEL
1-7	TLAB-C975JBRZ	AF			LABEL
1-8	TLAB-C976JBRZ	AF			CAUTION LABEL
1-36	CPNL-A625JBKZ	BP	N		FRONT PANEL ASS'Y
1-38	HDEC-B215JBEZ	AX			DISPLAY PANEL
1-39	HPNL-A726JBFE	AQ			CENTER PANEL
1-40	HPNL-A891JBFA	BE			DISPLAY PANEL
1-41	HPNL-A976JBRA	AS	N		FRONT PANEL
1-42	PGID-A124JBFE	AF			FILTER GUIDE A
1-43	PGID-A125JBFE	AF			FILTER GUIDE B
1-56	DLOV-A024JBKZ	AX	N		H LOUVER ASS'Y
1-57	MLOV-A427JBTC	AP	N		HORIZONTAL LOUVER C
1-58	MLOV-A428JBTC	AP	N		HORIZONTAL LOUVER B
1-59	GWAKPA177JBFA	AU			TOP DUCT
1-60	LANG-A623JBPZ	AG			TOP ANGLE
1-62	LSTP-A027JBFA	AM			STOPPER
1-63	MLOV-A425JBTC	AP	N		HORIZONTAL LOUVER A
1-65	PFPFPC769JBFZ	AF			INSULATOR A
1-66	PFPFPC770JBFZ	AF			INSULATOR B
1-67	PFPFPC771JBEZ	AF			INSULATOR C
1-68	PFPFPC772JBEZ	AF			INSULATOR D
1-69	PFPFPC773JBEZ	AF			INSULATOR E
1-70	PFPFPC774JBEZ	AF			INSULATOR F
1-71	PFPFPC775JBEZ	AF			INSULATOR G
1-74	PFPFPC832JBEZ	AC			INSULATOR H
1-79	PSPRCA018JBEZ	AF			SPRING
1-81	RMOT-A171JBEZ	AW	N		LOUVER MOTOR
1-83	DFILMA001JBEE	AQ			PLY FILTER A
1-84	DFILMA002JBEE	AS			PLY FILTER B
1-115	HPNL-A728JBFE	AX			SIDE PANEL L
1-116	HPNL-A729JBFE	AX			SIDE PANEL R
1-132	TLAB-C977JBRZ	AF			CAUTION LABEL
1-134	TSPC-F995JBRZ	AG	N		NAME LABEL
6-16	XTPS730P10000	AC			TAPPING SCREW
6-19	XTPS740P12000	AC			TAPPING SCREW
6-22	XUPS740P08000	AC			TAPPING SCREW
6-24	XTTS740P10000	AC			TAPPING SCREW

NO.	PARTS CODE	PRICE RANK	NEW MARK	PART RANK	DESCRIPTION
[2] Inside parts					
1-8	CCHS-B058JBKZ	BP	N		BASE PAN ASS'Y
1-9	DCHS-A639JBYZ	BD	N		BASE PAN ASS'Y
1-10	NKOM-A001JBEZ	AG			CASTER
1-10-1	NKOM-A002JBEZ	AF	N		CASTER-S
1-11	PGUM-A164JBEZ	AE			MOTOR CUSHION
1-12	PGUM-A165JBEZ	AE			MOTOR CUSHION B
1-13	PGUM-A166JBEZ	AE			MOTOR CUSHION C
1-14	CGUM-A001JBKZ	AN			DRAIN PLUG ASS'Y
1-15	PSEL-C875JBEZ	AC			INSULATOR
1-16	PSRA-A172JBFB	AZ			DRAIN TRAY
1-17	CKES-A162JBKZ	AT			ORIFICE ASS'Y
1-18	MJNT-A023JBFA	AF			LOUVER LINK
1-19	MLOV-A409JBFA	AF			VERTICAL LOUVER A
1-20	MLOV-A410JBFA	AF			VERTICAL LOUVER B
1-21	PFPPFC765JBEZ	AE			EVAPORATOR INSULATOR
1-22	PFPPFC826JBEZ	AC			ORIFICE INSULATOR A
1-23	PFPPFC827JBEZ	AC			ORIFICE INSULATOR B
1-24	PFPPFC828JBEZ	AC			ORIFICE INSULATOR C
1-25	PFPPFC829JBEZ	AC			ORIFICE INSULATOR D
1-26	PKESSA090JBFA	AX			ORIFICE
1-27	CPMP-A005JBKZ	AN			DRAIN PUMP ASS'Y
1-28	LBND-A042JBE0	AC			WIRE FIXING BAND
1-29	LBNDKA132JBEZ	AE			BAND
1-34	PHOS-A045JBEZ	AM			DRAIN HOSE A
1-44	CVLV-A861JBKZ	BC			DRAIN VALVE ASS'Y
1-45	LANG-A615JBWZ	AK	N		STAY ANGLE L
1-46	PCOV-B297JBEZ	AK			COVER F
1-48	LPLTMA210JBWZ	AQ			BULKHEAD R
1-50	PCOV-B298JBEZ	AK			COVER R
1-51	LPLTMA211JBWZ	AQ			BULKHEAD L
1-52	PCOV-B299JBEZ	AN			COVER
1-53	LPLTMA207JBWZ	AL			HALF PLATE
1-54	PCOV-B300JBEZ	AN			COVER T
1-82	DANG-A049JBKZ	AZ			STAY ANGLE L ASS'Y
1-85	DPLT-A074JBKZ	AV			BULKHEAD R ASS'Y
1-86	DPLT-A075JBKZ	AX			BULKHEAD L ASS'Y
1-87	DPLT-A076JBKZ	AZ			HALF PLATE ASS'Y
1-88	CMOT-A459JBKZ	BQ			FAN MOTOR SUB ASS'Y
1-89	NFANSA045JBFZ	AX			CENTRIFUGAL FAN-OUT
1-90	LANG-A617JBWZ	AL			MOTOR COVER
1-91	LHLDW0364JBE0	AA			WIRE HOLDER
1-92	LHLDW0370JBE0	AA			WIRE HOLDER
1-97	PKESSA092JBFA	AX			OUT CASING A
1-98	PKESSA093JBFA	AX			OUT CASING B
1-99	PKESSA094JBFZ	AH			OUT CASING C
1-100	CMOT-A440JBKZ	BG			FAN MOTOR SUB ASS'Y
1-101	NFANSA049JBFZ	AV			CENTRIFUGAL FAN-IN
1-102	LANG-A606JBFZ	AM			FAN MOTOR ANGLE
1-103	LANG-A614JBPZ	AK			CASING COVER
1-104	LANG-A618JBPZ	AK			MOTOR COVER IN
1-106	PKESSA091JBFZ	AX			IN CASING
1-107	DSW-MA003JBKZ	AS			FLOAT SWITCH ASS'Y
1-108	CFLO-A001JBKZ	AK			FLOAT ASS'Y
1-111	LHLD-A739JBFA	AZ			SW STAY
1-112	PCOV-B112JBFZ	AF			SW COVER
1-113	PFLO-A006JBFZ	AE			FLOAT C
1-114	QSW-MA009JBZZ	AL			MICRO SWITCH
1-117	LANG-A613JBWZ	AR			STAY ANGLE R
1-121	LBND-A105JBEZ	AF			WIRE FIXING BAND
1-122	LHLDW0366JBE0	AA			WIRE HOLDER
1-123	LHLDW0368JBE0	AA			WIRE HOLDER
2-18	PCOV-B105JBFZ	AG			LED GUIDE
2-19	DPWBFA545JBKZ	BB	N		D-F-S BOARD UNIT
6-2	LX-BZA360JBEZ	AF			SPECIAL SCREW
6-3	LX-NZA316JBEZ	AF			SPECIAL NUT
6-5	LX-WZA048JBEZ	AD			WASHER
6-8	XCTS740P10000	AC			TAPPING SCREW
6-9	XHTS740P08000	AC			TAP TIGHT SCREW
6-15	XTPS723P14000	AC			TAPPING SCREW
6-17	XTPS740P12000	AC			TAPPING SCREW
6-19	XTTS740P12000	AC			TAPPING SCREW
6-20	XTTS740P14000	AC			TAPPING SCREW
6-21	XTTS740P16000	AC			TAPPING SCREW
6-23	XWSS700-25000	AC			SPRING WASHER
6-24	XTTS740P10000	AC			TAPPING SCREW

CV10NH

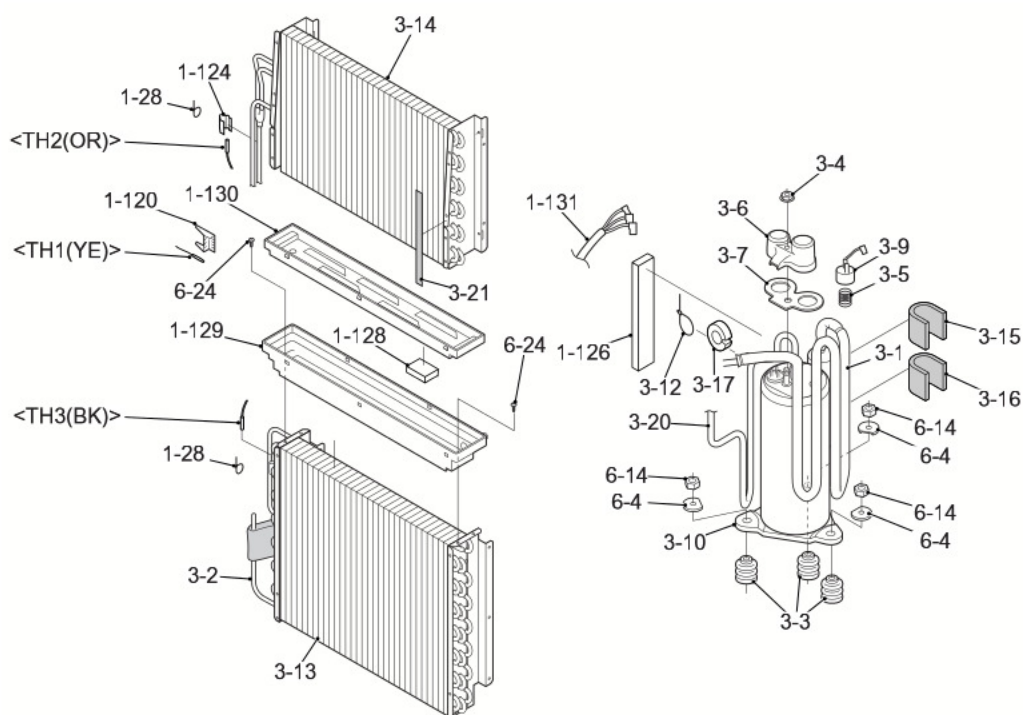
[3] Control box parts



* Control board unit (2-2) consists of four units.
 2-2-(1) Power supply unit.
 2-2-(2) Display and Detector unit.
 2-2-(3) Control unit.
 2-2-(4) Float unit.
 But we can't deliver each unit separately.
 We can only deliver control board unit.
 Except Fuse (2-10)

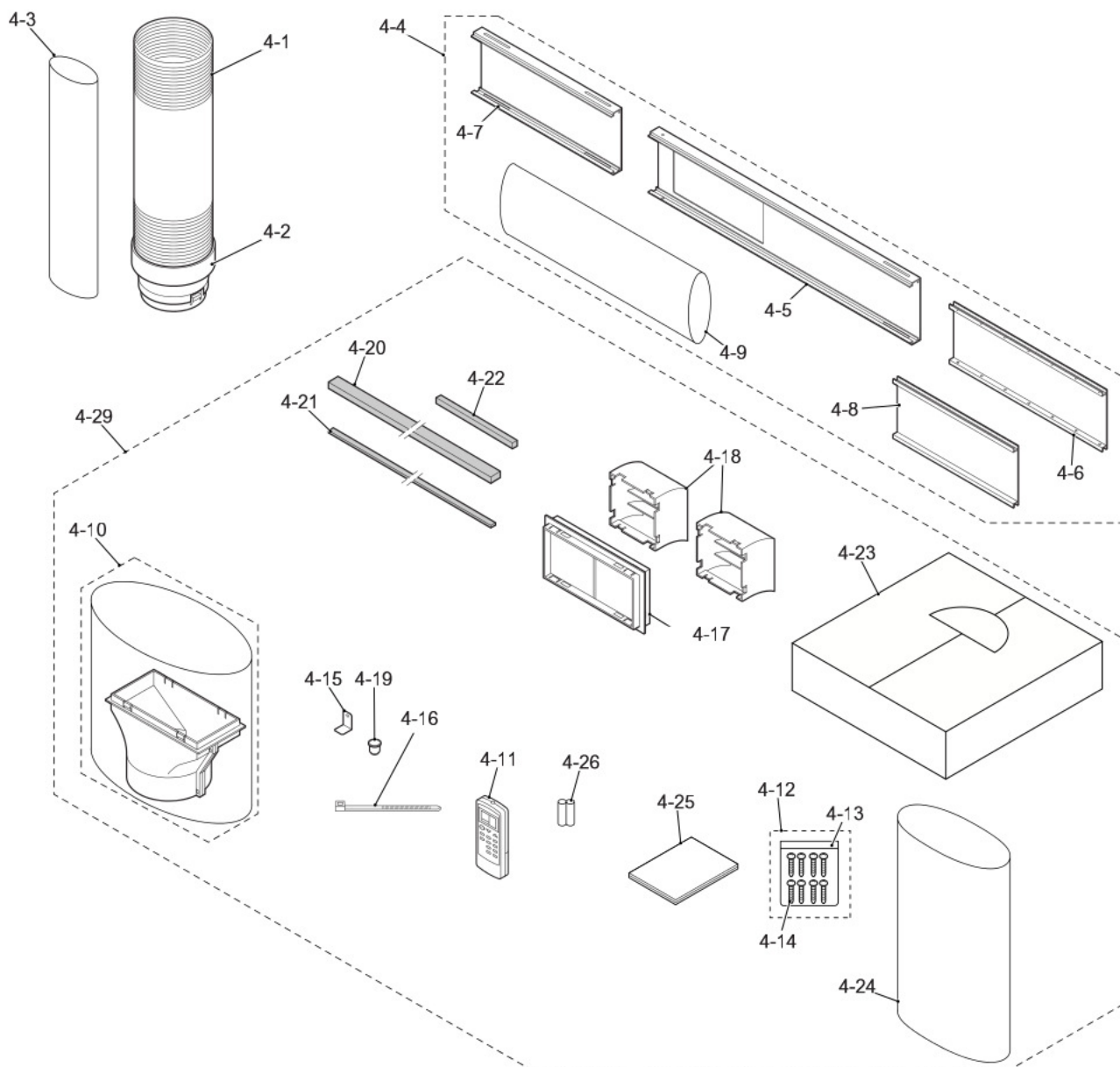
NO.	PARTS CODE	PRICE RANK	NEW MARK	PART RANK	DESCRIPTION
[3] Control box parts					
1-28	L BND-A042JBEO	AC			WIRE FIXING BAND
2-1	CACC-A031JBKZ	BN			PACK ASS'Y
2-2	DPWBFA546JBKZ	BT	N		CONTROL BOARD ASS'Y
2-3	L BNDKA155JBWZ	AK	N		CAPACITOR CLAMP
2-4	L HL DW0366JBE0	AA			WIRE HOLDER
2-5	D BOX-A073JBWZ	BC	N		CONTROL BOX ASS'Y
2-5-2	P BOX-A516JBFZ	AX	N		CONTROL BOX B
2-6	PCOV-B504JBWZ	AN	N		CONTROL BOX COVER
2-8	PSPA-A177JBZZ	AE			PWB SPACER
2-10	QFS-AA048JBE0	AB			FUSE
2-13	QW-VZE999JBZZ	AK			LEAD WIRE
2-14	RC-HZA484JBZZ	AY			RUNNING CAPACITOR
2-17	RH-HXA107JBZZ	AZ	N		THERMISTOR
2-20	TLABCC445JBRZ	AG	N		WIRING DIAGRAM
2-21	PSEL-D261JBEZ	AF	N		COVER SEAL
2-22	PCOV-B521JBFA	AD	N		CONTROL BOX COVER B
6-9	XHTS740P08000	AC			TAP TIGHT SCREW
6-42	XCTS740P08000	AC			SPECIAL TAP. SCREW
6-43	XCTS740P10000	AC			TAPPING SCREW
6-44	XCTS740P12000	AA			TAPPING SCREW

[4] Cycle parts



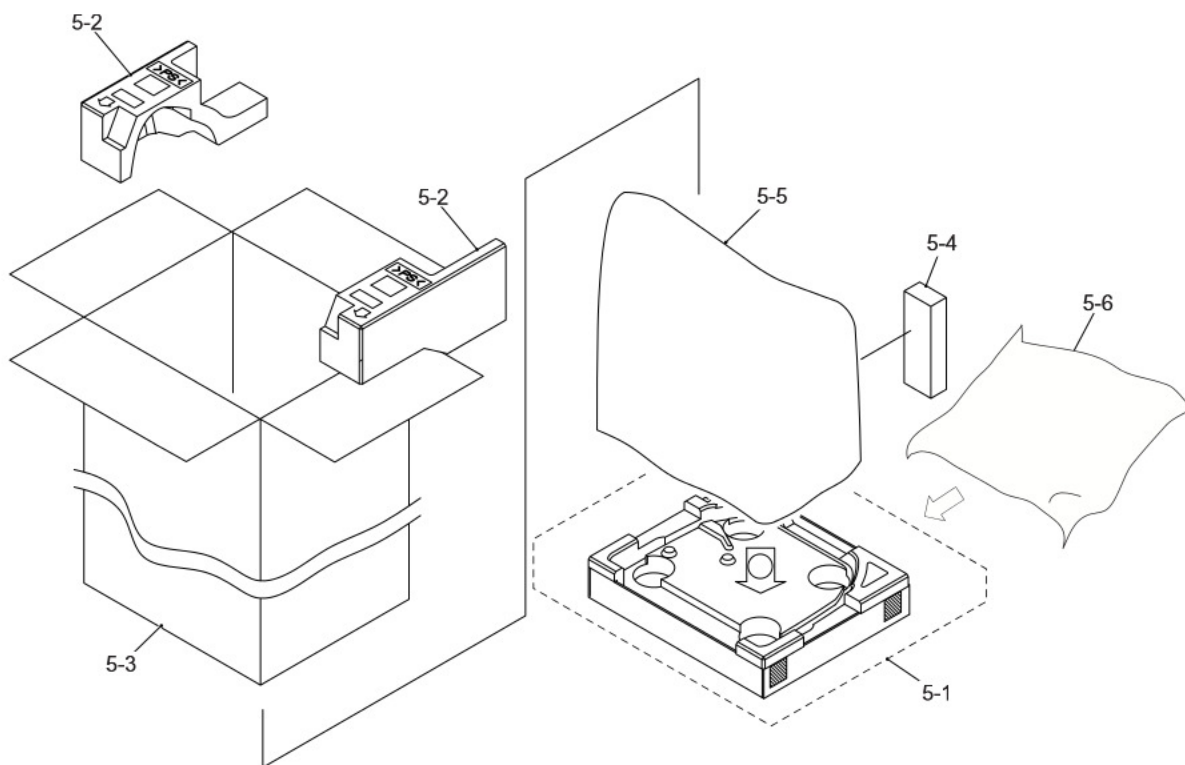
NO.	PARTS CODE	PRICE RANK	NEW MARK	PART RANK	DESCRIPTION
[4] Cycle parts					
1-28	LBND-A042JBE0	AC			WIRE FIXING BAND
1-120	LHLD-A315JBF0	AE			THERMISTOR HOLDER
1-124	MSPR-A027JBE0	AB			THERMISTOR SPRING
1-126	PCOV-B154JBEZ	AG			COVER M
1-128	PSEL-C882JBEZ	AC			DRAIN PAN INSULATOR
1-129	PSRA-A174JBFZ	AZ			DRIBBLER
1-130	PSRA-A173JBFZ	AX			DRAIN PAN
1-131	QW-iZA121JBZZ	AV	N		COMP WIRING
3-1	CPiPCA929JBKZ	AX			SUCTION TUBE ASS'Y
3-2	DCPY-A340JBKZ	AR			CAPILLARY TUBE ASS'Y
3-3	GLEG-A103JBE0	AG			COMPRESSOR CUSHION
3-4	LX-NZA148JBE0	AD			FRANGE NUT
3-5	MSPR-A114JBE0	AF			PROTECTOR SPRING
3-6	PCOV-A371JBE0	AF			TERMINAL COVER
3-7	PSEL-B160JBE0	AH			TERMINAL GASKET
3-9	RHOG-A233JBEZ	AU			OVERLOAD RELAY
3-10	PCMPRA468JBEZ	CA			COMPRESSOR
3-12	LBND-A046JBE0	AE			WIRE FIXING BAND
3-13	PCON-A569JBEZ	BT			CONDENSER
3-14	PEVA-A586JBEZ	BQ			EVAPORATOR
3-15	PFPC834JBEZ	AD			INSULATOR A
3-16	PFPC835JBEZ	AD			INSULATOR B
3-17	PGUM-A113JBE0	AH			DAMPER RUBBER
3-20	PPiPCH210JB1Z	AP			DISCHARGE TUBE
3-21	PSEL-C880JBEZ	AC			EVA INSULATOR
6-4	LX-WZA014CBE0	AB			COMP WASHER
6-14	XNFS760-50000	AC			NUT
6-24	XTTS740P10000	AC	N		TAPPING SCREW

CV10NH

[5] Accessory parts

NO.	PARTS CODE	PRICE RANK	NEW MARK	PART RANK	DESCRIPTION
[5] Accessory parts					
4-1	PDUC-A011JBFC	BK			DUCT HOSE
4-2	PJNT-A007JBFC	AM			CONNECTER C
4-3	SSAKAA109JBEZ	AE			BAG
4-4	CPNL-A568JBKZ	BE			WINDOW PANEL ASS'Y
4-5	PPNLCA011JBEC	AY			WINDOW PANEL A
4-6	PPNLCA012JBEC	AS			WINDOW PANEL B
4-7	PPNLCA013JBEC	AS			WINDOW PANEL C
4-8	PPNLCA014JBEC	AQ			PANEL COVER
4-9	SSAKAA111JBEZ	AE			BAG
4-10	CJNT-A006JBKZ	AS			CONNECTER ASS'Y
4-11	CRMC-A750JBEZ	AZ	N		REMOTE CONTROLLER
4-12	DX-BZA049JBKZ	AS			SCREW KIT
4-13	SSAKAA018YDE0	AB			BAG
4-14	XMPS740P25000	AC			WOOD SCREW
4-15	LANG-A616JBTA	AK			PANEL ANGLE
4-16	LBND-A046JBE0	AE			WIRE FIXING BAND
4-17	LHLD-A740JBFC	AM			HOLDER
4-18	PCOV-B115JBFC	AH			COVER
4-19	PGUMMA347JBEZ	AE			DRAIN JOINT
4-20	PSEL-A931JBE0	AH			WINDOW INSULATOR
4-21	PSEL-C848JBEZ	AD			PANEL INSULATOR
4-22	PSEL-C881JBEZ	AC			PANEL INSULATOR
4-23	SPAKCB932JBEZ	AH			ACCESSORY CASE
4-24	SSAKHA149YDE0	AC			BAG

NO.	PARTS CODE	PRICE RANK	NEW MARK	PART RANK	DESCRIPTION
[5] Accessory parts					
4-25	TINSE A541JBRZ	AP	N		OPERATION MANUAL
4-26	UBATUA027JBE0	AE			BATTERY PACK
4-29	DFZK-B780JBKZ	BL	N		ACCESSORY SUB KIT

[6] Packing parts

NO.	PARTS CODE	PRICE RANK	NEW MARK	PART RANK	DESCRIPTION
[6] Packing parts					
5-1	CPADBA136JBKZ	AY			BOTTOM PAD ASS'Y
5-2	CPADBA111JBKZ	AR			TOP PAD ASS'Y
5-3	DPAKCA011JBKZ	BB	N		PACKING CASE ASS'Y
5-4	SPADBA321JBEZ	AD			PAD
5-5	SSAKHA018JBEZ	AF			BAG
5-6	SSAKHA245YDE0	AB			PROTECT

CV10NH

INDEX

PARTS CODE	No.	PRICE RANK	NEW MARK	PART RANK
【 C 】				
CACC-A031JBKZ	3-2-1	BN		
CCAB-A470JBKZ	1-1-1	BP	N	
CCHS-B058JBKZ	2-1-8	BP	N	
CFL0-A001JBKZ	2-1-108	AK		
CGUM-A001JBKZ	2-1-14	AN		
CJNT-A006JBKZ	5-4-10	AS		
CKES-A162JBKZ	2-1-17	AT		
CMOT-A440JBKZ	2-1-100	BG		
CMOT-A459JBKZ	2-1-88	BQ		
CPADBA111JBKZ	6-5-2	AR		
CPADBA136JBKZ	6-5-1	AY		
CP1PCA929JBKZ	4-3-1	AX		
CPMP-A005JBKZ	2-1-27	AN		
CPNL-A568JBKZ	5-4-4	BE		
CPNL-A625JBKZ	1-1-36	BP	N	
CRMC-A750JBEZ	5-4-11	AZ	N	
CVLV-A861JBKZ	2-1-44	BC		
【 D 】				
DANG-A049JBKZ	2-1-82	AZ		
DBox-A073JBWZ	3-2-5	BC	N	
DCHS-A639JBYZ	2-1-9	BD	N	
DCPY-A340JBKZ	4-3-2	AR		
DFiLMA001JBEE	1-1-83	AQ		
DFiLMA002JBEE	1-1-84	AS		
DFZK-B780JBKZ	5-4-29	BL	N	
DL0V-A024JBKZ	1-1-56	AX	N	
DPAKCA011JBKZ	6-5-3	BB	N	
DPLT-A074JBKZ	2-1-85	AV		
DPLT-A075JBKZ	2-1-86	AX		
DPLT-A076JBKZ	2-1-87	AZ		
DPWBFA545JBKZ	2-2-19	BB	N	
DPWBFA546JBKZ	3-2-2	BT	N	
DSW-MA003JBKZ	2-1-107	AS		
DX-BZA049JBKZ	5-4-12	AS		
【 G 】				
GCAB-A292JBFF	1-1-2	BG		
GLEG-A103JBE0	4-3-3	AG		
GWAKPA177JBFA	1-1-59	AU		
【 H 】				
HDEC-B215JBEZ	1-1-38	AX		
HPNL-A726JBFE	1-1-39	AQ		
HPNL-A728JBFE	1-1-115	AX		
HPNL-A729JBFE	1-1-116	AX		
HPNL-A891JBFA	1-1-40	BE		
HPNL-A976JBRA	1-1-41	AS	N	
【 L 】				
LANG-A606JBFZ	2-1-102	AM		
LANG-A613JBWZ	2-1-117	AR		
LANG-A614JBPZ	2-1-103	AK		
LANG-A615JBWZ	2-1-45	AK	N	
LANG-A616JBTA	5-4-15	AK		
LANG-A617JBWZ	2-1-90	AL		
LANG-A618JBPZ	2-1-104	AK		
LANG-A623JBPZ	1-1-60	AG		
LBND-A042JBE0	2-1-28	AC		
"	3-1-28	AC		
"	4-1-28	AC		
LBND-A046JBE0	4-3-12	AE		
"	5-4-16	AE		
LBND-A105JBEZ	2-1-121	AF		
LBNDKA132JBEZ	2-1-29	AE		
LBNDKA155JBWZ	3-2-3	AK	N	
LHLD-A315JBF0	4-1-120	AE		
LHLD-A735JBFC	1-1-3	AF		
LHLD-A739JBFA	2-1-111	AZ		
LHLD-A740JBFC	5-4-17	AM		
LHLDW0364JBE0	2-1-91	AA		
LHLDW0366JBE0	2-1-122	AA		
"	3-2-4	AA		
LHLDW0368JBE0	2-1-123	AA		
LHLDW0370JBE0	2-1-92	AA		
LPLTMA207JBWZ	2-1-53	AL		
LPLTMA210JBWZ	2-1-48	AQ		
LPLTMA211JBWZ	2-1-51	AQ		
LSTP-A027JBFA	1-1-62	AM		
LX-BZA360JBEZ	2-6-2	AF		
LX-NZA148JBE0	4-3-4	AD		
LX-NZA316JBEZ	2-6-3	AF		

PARTS CODE	No.	PRICE RANK	NEW MARK	PART RANK
LX-WZA014CBE0	4-6-4	AB		
LX-WZA048JBEZ	2-6-5	AD		
【 M 】				
MJNT-A023JBFA	2-1-18	AF		
ML0V-A409JBFA	2-1-19	AF		
ML0V-A410JBFA	2-1-20	AF		
ML0V-A425JBTC	1-1-63	AP	N	
ML0V-A427JBTC	1-1-57	AP	N	
ML0V-A428JBTC	1-1-58	AP	N	
MSPR-A027JBE0	4-1-124	AB		
MSPR-A114JBE0	4-3-5	AF		
【 N 】				
NFANSA045JBFZ	2-1-89	AX		
NFANSA049JBFZ	2-1-101	AV		
NKOM-A001JBEZ	2-1-10	AG		
NKOM-A002JBEZ	2-1-10-1	AF	N	
【 P 】				
PBox-A516JBFZ	3-2-5-2	AX	N	
PCMPRA468JBEZ	4-3-10	CA		
PCON-A569JBEZ	4-3-13	BT		
PCOV-A371JBE0	4-3-6	AF		
PCOV-B105JBFZ	2-2-18	AG		
PCOV-B112JBFZ	2-1-112	AF		
PCOV-B115JBFC	5-4-18	AH		
PCOV-B154JBEZ	4-1-126	AG		
PCOV-B297JBEZ	2-1-46	AK		
PCOV-B298JBEZ	2-1-50	AK		
PCOV-B299JBEZ	2-1-52	AN		
PCOV-B300JBEZ	2-1-54	AN		
PCOV-B504JBWZ	3-2-6	AN	N	
PCOV-B521JBFA	3-2-22	AD	N	
PDUC-A011JBFC	5-4-1	BK		
PEVA-A586JBEZ	4-3-14	BQ		
PFL0-A006JBFZ	2-1-113	AE		
PFPPFC765JBEZ	2-1-21	AE		
PFPPFC769JBFZ	1-1-65	AF		
PFPPFC770JBFZ	1-1-66	AF		
PFPPFC771JBEZ	1-1-67	AF		
PFPPFC773JBEZ	1-1-69	AF		
PFPPFC774JBEZ	1-1-70	AF		
PFPPFC775JBEZ	1-1-71	AF		
PFPPFC826JBEZ	2-1-22	AC		
PFPPFC827JBEZ	2-1-23	AC		
PFPPFC828JBEZ	2-1-24	AC		
PFPPFC829JBEZ	2-1-25	AC		
PFPPFC832JBEZ	1-1-74	AC		
PFPPFC834JBEZ	4-3-15	AD		
PFPPFC835JBEZ	4-3-16	AD		
PFPPFD333JBEZ	1-1-68	AF		
PGiD-A124JBFE	1-1-42	AF		
PGiD-A125JBFE	1-1-43	AF		
PGUM-A113JBE0	4-3-17	AH		
PGUM-A164JBEZ	2-1-11	AE		
PGUM-A165JBEZ	2-1-12	AE		
PGUM-A166JBEZ	2-1-13	AE		
PGUMMA347JBEZ	5-4-19	AE		
PH0S-A045JBEZ	2-1-34	AM		
PJNT-A007JBFC	5-4-2	AM		
PKESSA090JBFA	2-1-26	AX		
PKESSA091JBFZ	2-1-106	AX		
PKESSA092JBFA	2-1-97	AX		
PKESSA093JBFA	2-1-98	AX		
PKESSA094JBFC	2-1-99	AH		
PPiPCH210JB1Z	4-3-20	AP		
PPNLCA011JBEC	5-4-5	AY		
PPNLCA012JBEC	5-4-6	AS		
PPNLCA013JBEC	5-4-7	AS		
PPNLCA014JBEC	5-4-8	AQ		
PSEL-A931JBE0	5-4-20	AH		
PSEL-B160JBE0	4-3-7	AH		
PSEL-C848JBEZ	5-4-21	AD		
PSEL-C875JBEZ	2-1-15	AC		
PSEL-C880JBEZ	4-3-21	AC		
PSEL-C881JBEZ	5-4-22	AC		
PSEL-C882JBEZ	4-1-128	AC		
PSEL-D261JBEZ	3-2-21	AF	N	
PSPA-A177JBZZ	3-2-8	AE		
PSPRCA018JBEZ	1-1-79	AF		
PSRA-A172JBFB	2-1-16	AZ		

PARTS CODE	No.	PRICE RANK	NEW MARK	PART RANK
PSRA-A173JBFZ	4-1-130	AX		
PSRA-A174JBFZ	4-1-129	AZ		
【 Q 】				
QFS-AA048JBE0	3-2-10	AB		
QSW-MA009JBZZ	2-1-114	AL		
QW-iZA121JBZZ	4-1-131	AV	N	
QW-VZE999JBZZ	3-2-13	AK		
【 R 】				
RC-HZA484JBZZ	3-2-14	AY		
RH-HXA107JBZZ	3-2-17	AZ	N	
RHOG-A233JBEZ	4-3-9	AU		
RMOT-A171JBEZ	1-1-81	AW	N	
【 S 】				
SPADBA321JBEZ	6-5-4	AD		
SPAKCB932JBEZ	5-4-23	AH		
SSAKAA018YDE0	5-4-13	AB		
SSAKAA109JBEZ	5-4-3	AE		
SSAKAA111JBEZ	5-4-9	AE		
SSAKHA018JBEZ	6-5-5	AF		
SSAKHA149YDE0	5-4-24	AC		
SSAKHA245YDE0	6-5-6	AB		
【 T 】				
TiNSEA541JBRZ	5-4-25	AP	N	
TLAB-C974JBRZ	1-1-6	AF		
TLAB-C975JBRZ	1-1-7	AF		
TLAB-C976JBRZ	1-1-8	AF		
TLAB-C977JBRZ	1-1-132	AF		
TLABCC445JBRZ	3-2-20	AG	N	
TLAB-D370JBRZ	1-1-4	AF	N	
TSPC-F995JBRZ	1-1-134	AG	N	
【 U 】				
UBATUA027JBE0	5-4-26	AE		
【 X 】				
XCTS740P08000	3-6-42	AC		
XCTS740P10000	2-6-8	AC		
"	3-6-43	AC		
XCTS740P12000	3-6-44	AA		
XHTS740P08000	2-6-9	AC		
"	3-6-9	AC		
XMPS740P25000	5-4-14	AC		
XNFS760-50000	4-6-14	AC		
XTPS723P14000	2-6-15	AC		
XTPS730P10000	1-6-16	AC		
XTPS740P12000	1-6-19	AC		
"	2-6-17	AC		
XTTS740P10000	1-6-24	AC		
"	2-6-24	AC		
"	4-6-24	AC	N	
XTTS740P12000	2-6-19	AC		
XTTS740P14000	2-6-20	AC		
XTTS740P16000	2-6-21	AC		
XUPS740P08000	1-6-22	AC		
XWSS700-25000	2-6-23	AC		

SHARP

COPYRIGHT © 2008 BY SHARP CORPORATION

ALL RIGHTS RESERVED.

No part of this publication may be reproduced, stored in retrieval systems, or transmitted in any form or by any means, electronic, mechanical, photocopying, recording, or other wise, without prior written permission of the publisher.