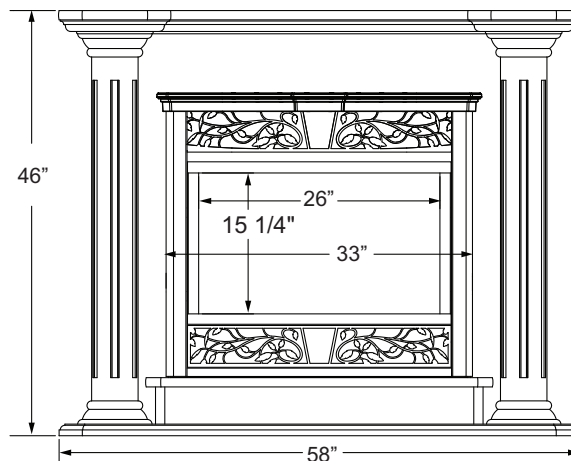
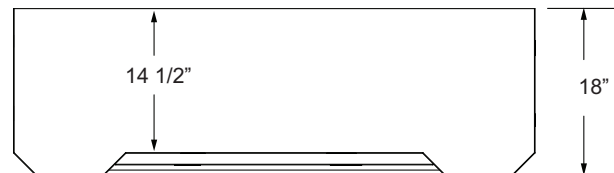


PRODUCT SPECIFICATIONS

CFX32 CHESAPEAKE Vent Free System



ACTUAL DIMENSIONS

Width: 58"

Height: 46"

Depth: 18"

TECHNICAL INFORMATION

Max. Btu Input: 26,000 BTU/HR

Ignition System: Standing Pilot

Gas Type: Natural or LP

Thermal Efficiency: Up to 99%

CSA Design Certified

FEATURES

Comes with a unique, fully assembled fireplace package featuring a gas fireplace system, a beautifully crafted wood cabinet (available in Dark Walnut or unfinished), and an elegant designer facing

Glass viewing area of 397 square inches

Features the Triple Play Burner System®: loose embers, glowing logs and yellow flame all in one

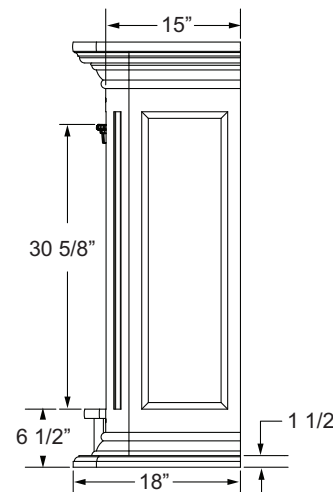
Millivolt control operation

FIELD INSTALLED ACCESSORIES

Tavern Brown firebrick (FBX32TBC)

Ambient Technologies™ Remote Controls and Thermostats

160 cfm variable thermostat forced air blower available - BLOT



A Brand of Monessen Hearth Systems Co.
149 Cleveland Drive, Paris, Kentucky 40361
www.majesticproducts.com



To avoid personal injury or property damage, the product described by this brochure must be installed, operated and maintained in strict compliance with the instructions packaged with the product and all applicable building or fire codes. Contact local building or fire officials about restrictions and installation inspection requirements. All photographs and drawings on this brochure are for illustrative purposes only and are not intended for, nor should they be used as a substitute for the instructions packaged with the unit. Appearance and specifications of the product are subject to change without notice. 02/10