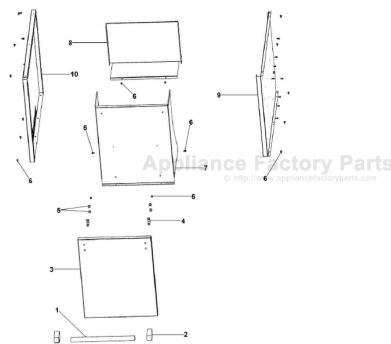


This Owner's Manual is provided and hosted by [Appliance Factory Parts](#).



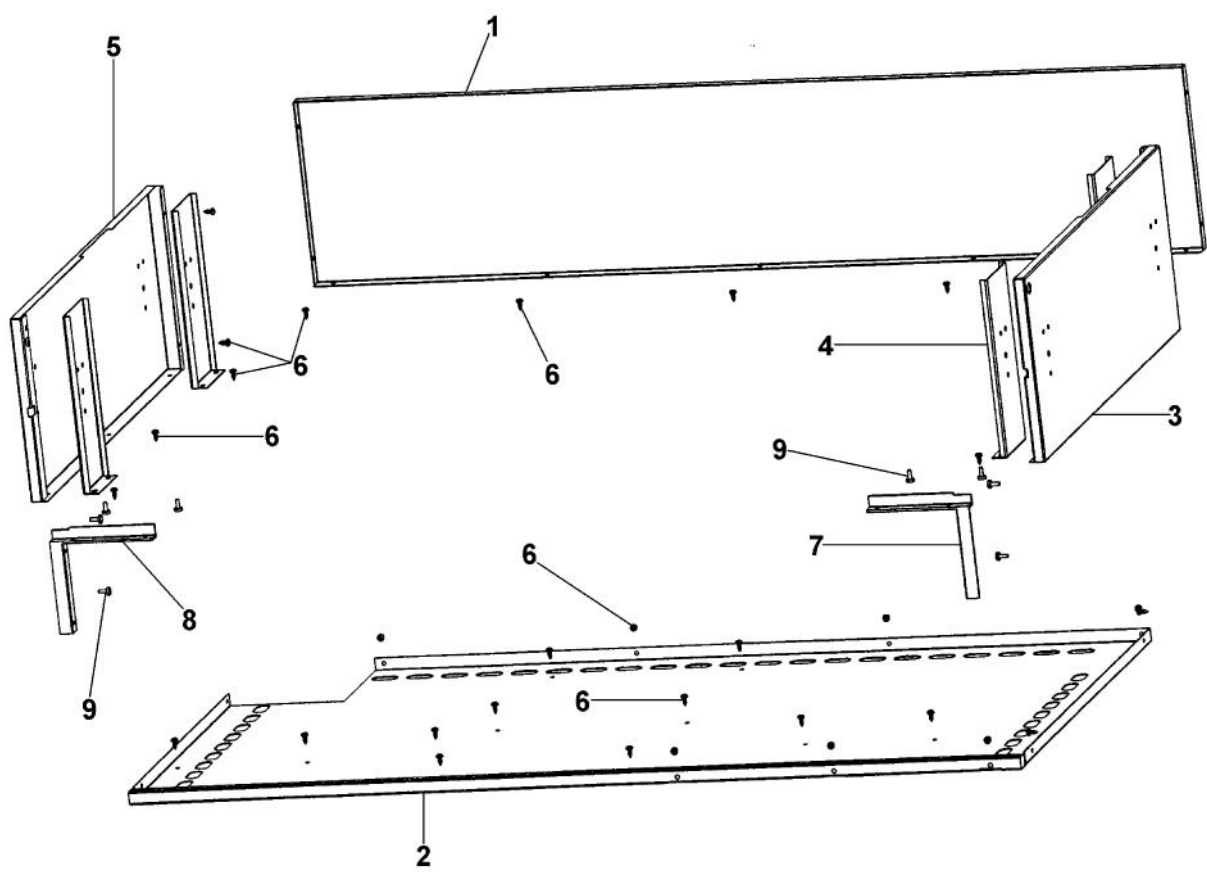
# VIKING BQCO53T1 Owner's Manual

[Shop genuine replacement parts for VIKING BQCO53T1](#)

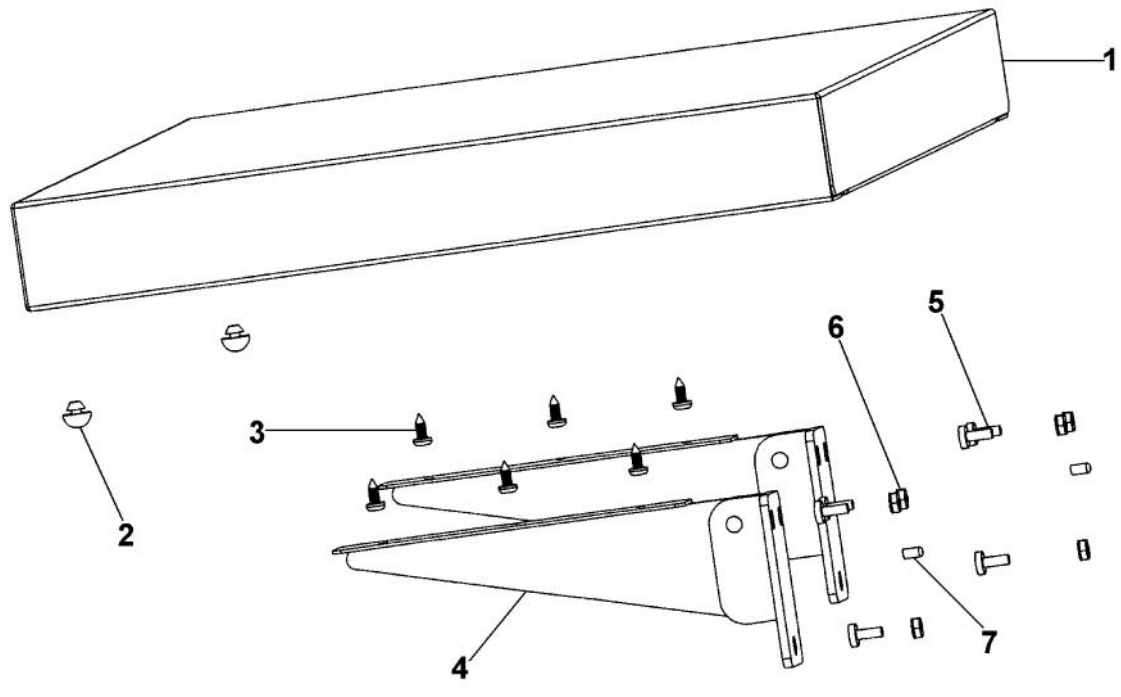


[Find Your VIKING Grill Parts - Select From 210 Models](#)

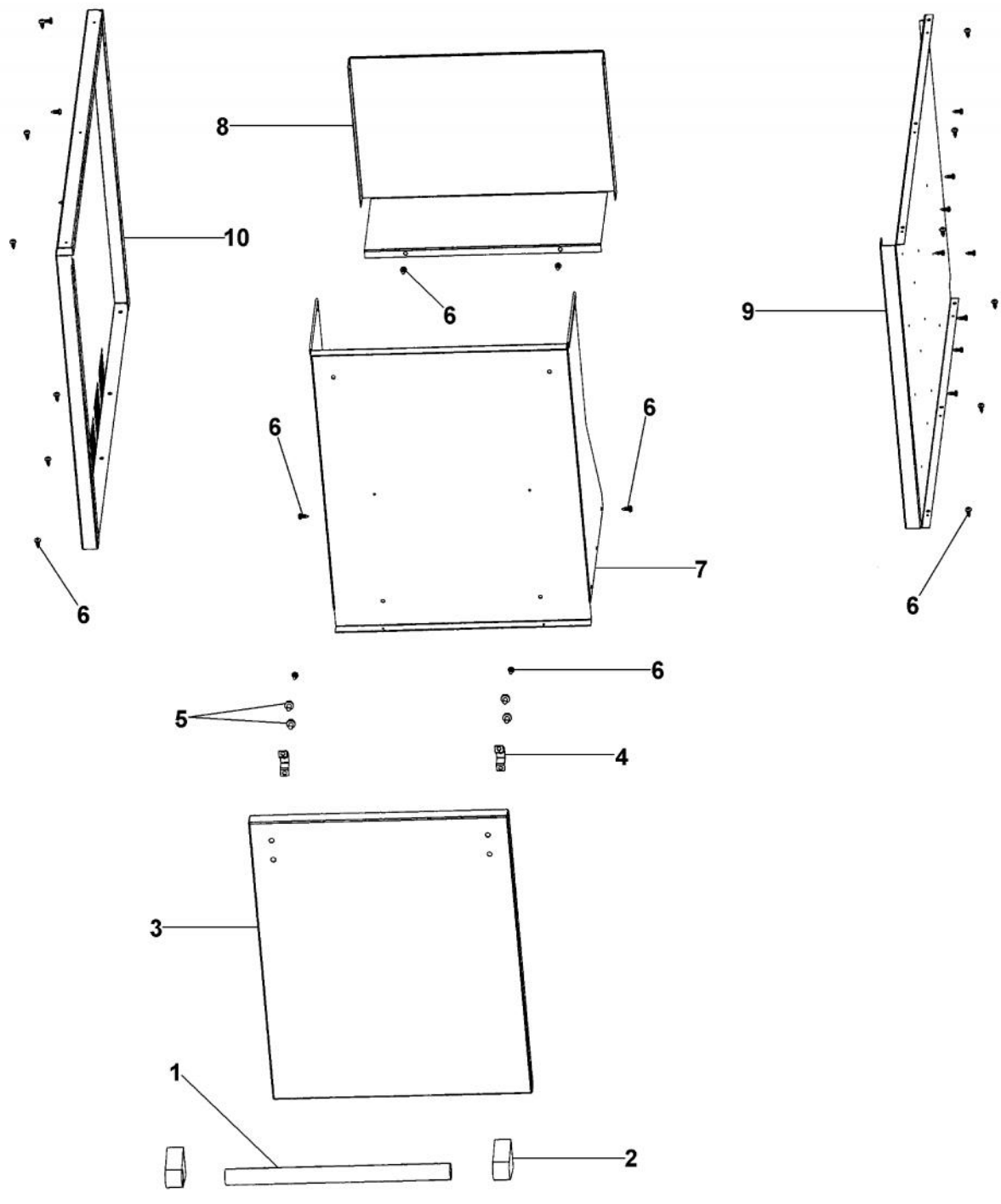
----- Manual continues below -----



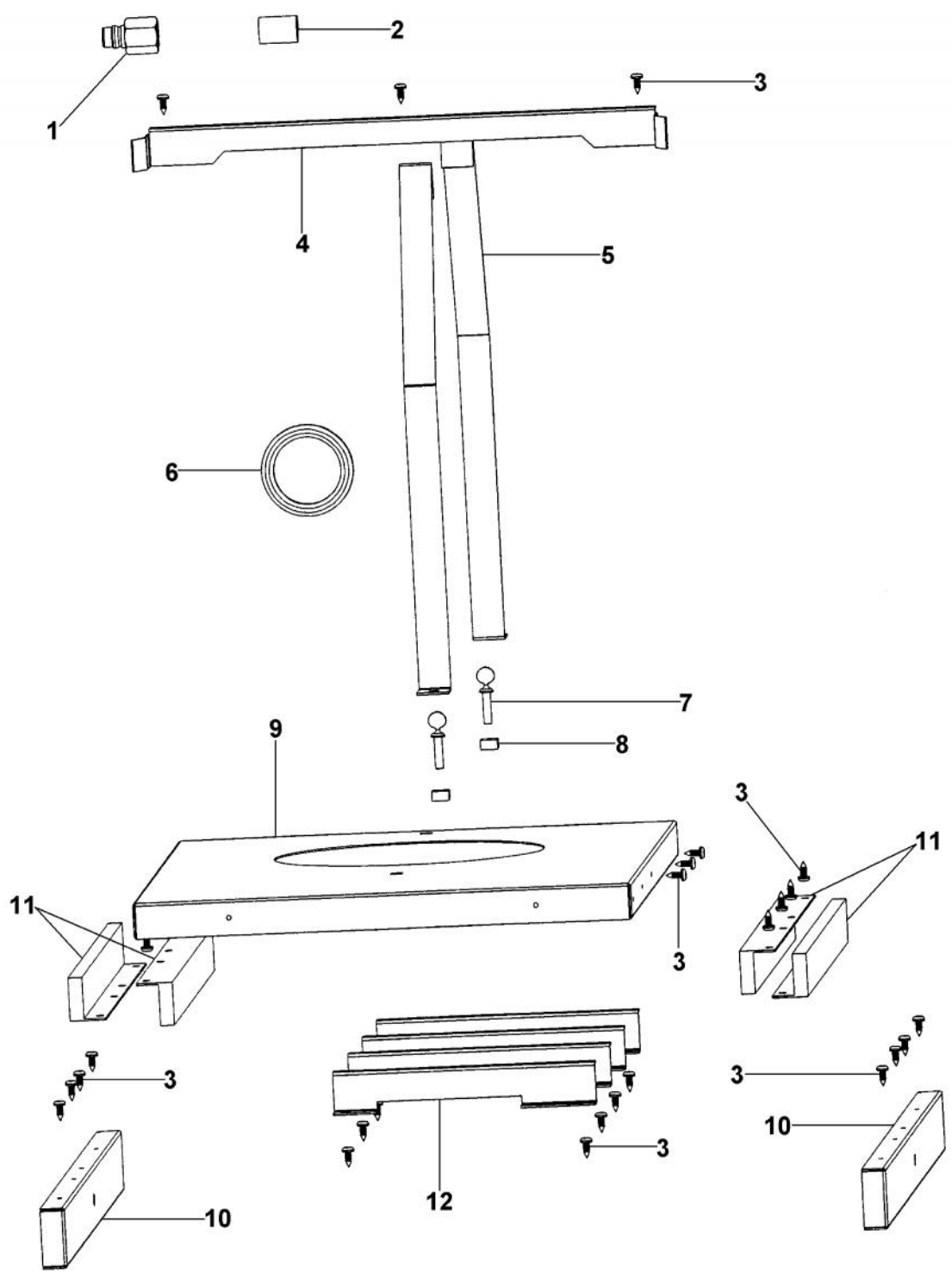
Ref #	Part Number	Qty.	Description
1	B2005364		REAR CART UPPER 53
2	B20010832		PHASE II CART TOP 53
3	B2007244		UPPER CART SIDE - RH
4	B2007211		CART SIDE BRACE 41 & 53
5	B2007241		UPPER CART SIDE - LH
6	PD020055		NO.10 X 1/2 PAN PHIL. TEK. SS
7	PM010360		VCQS CORNER FRAME RH
8	PM010361		VCQS CORNER FRAME LH
9	PD020068		NO.10 - 32 X 1/2TRUSS. PHIL. M.XSSX



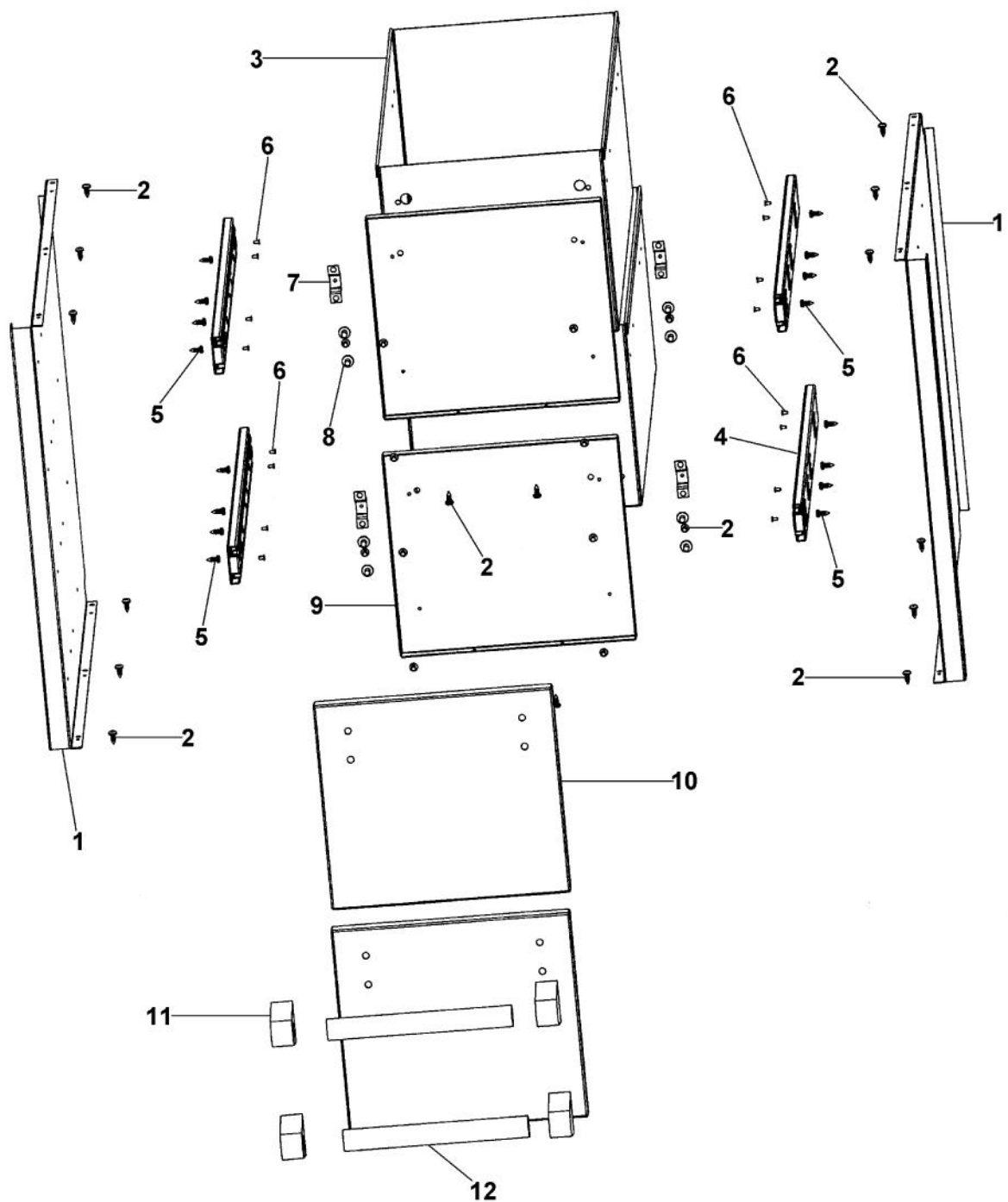
Ref #	Part Number	Qty.	Description
1	B3005378		SIDE SHELF PH II BQC530TSS
2	PD040060		RUBBER GROMMET
3	PD020055		NO.10 X 1/2 PAN PHIL. TEK. SS
4	PC020031		FOLD DOWN SHELF BRACKET
5	PD020056		NO.10-24 X 1/2 PH.TR. M.S. SS
6	PD030044		10-24 KEPS NUT SS
7	PD020118		ALLEN SCREW



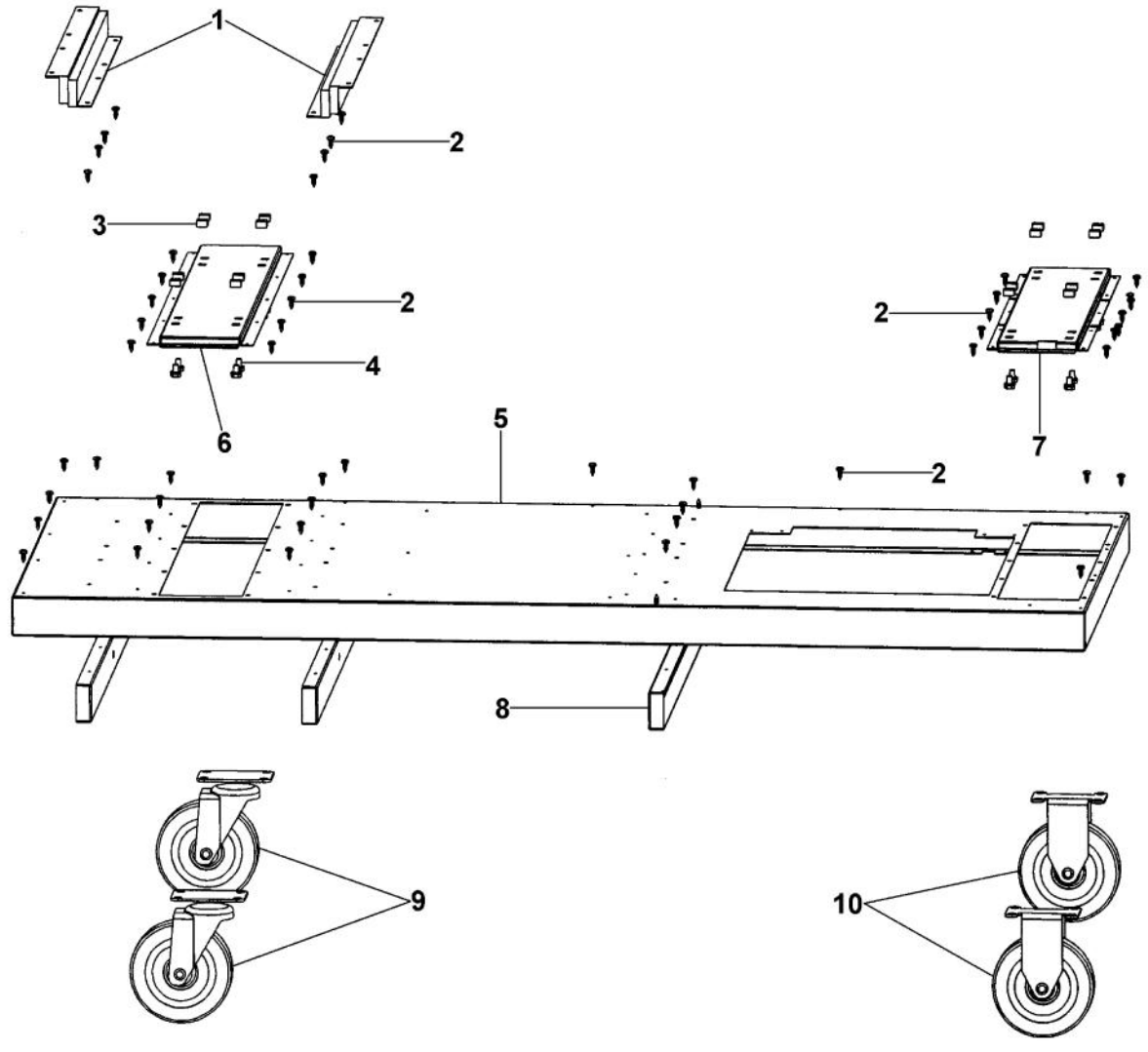
Ref #	Part Number	Qty.	Description
1	PE030135 PE030135PVD		DOOR HANDLE DOOR HANDLE PVD
2	PE030001 PE030001PVD		BRACKET, DOOR, HANDLE END CAP DOOR HANDLE XBR
3	B20010800		LP DOOR O/S PANEL
4	B2005386		CART HANDLE SPACER
5	PD010019		BLT-1/4-20X3/8HEX WASHER SERATED
6	PD020055		NO.10 X 1/2 PAN PHIL. TEK. SS
7	B20010833		LP DRAWER DOOR BACK
8	B20010834		LP DRAWER STORAGE
9	B20010810		VCQS 41 INNER CART WALL
10	B2005361		LOWER CART SIDE LH



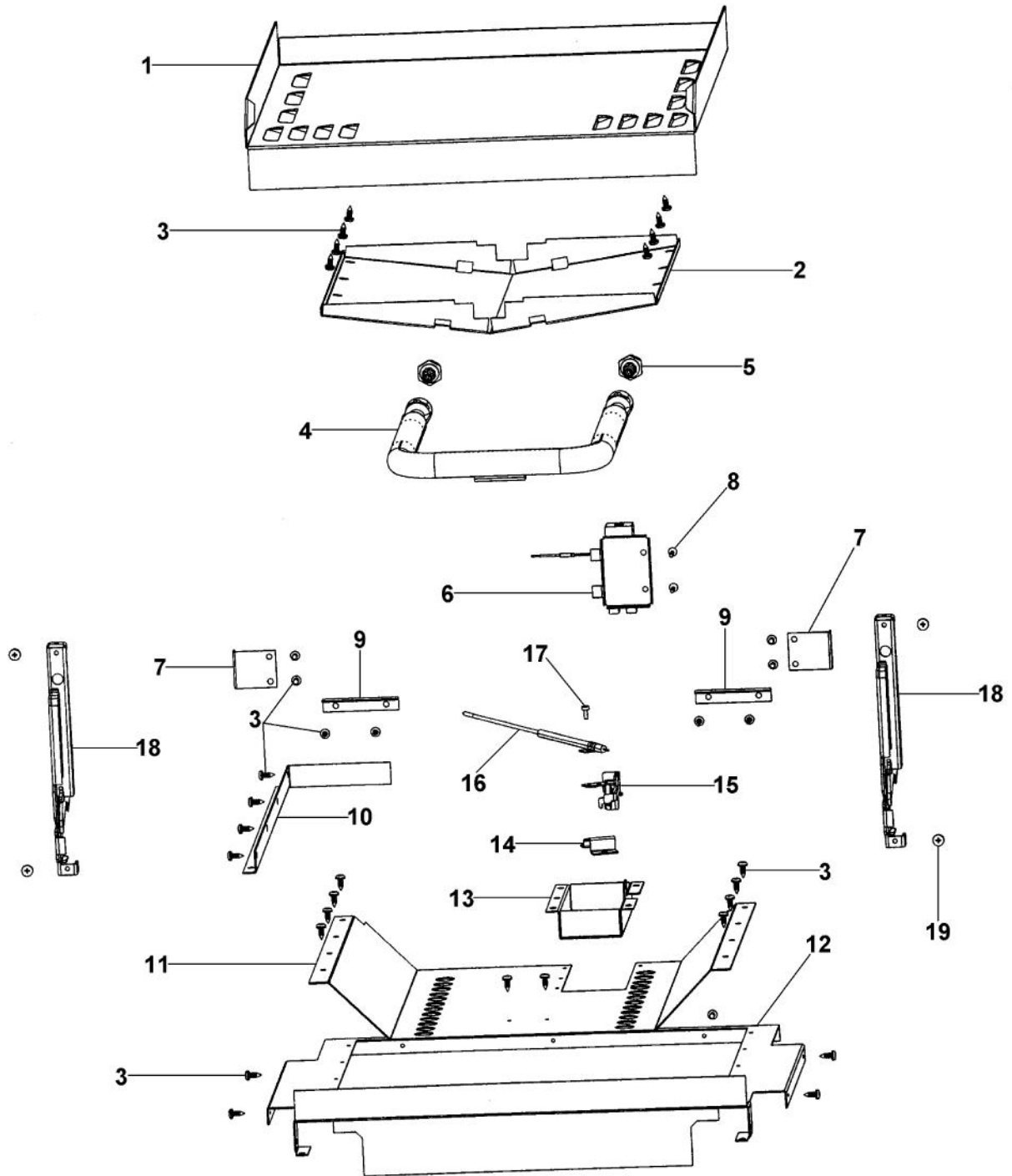
Ref #	Part Number	Qty.	Description
1	PB040167		MALE COUPLER (PHASE 1 GRILL)
2	PB040046		1/2 CLOSE NIPPLE (VGSO166)
3	PD020055		NO.10 X 1/2 PAN PHIL. TEK. SS
4	B20010813		LP DRAWER GUIDE
5	B2004202		L.P. TANK STRAP (VGBQ)
6	PD040052		SIDE BURNER GROMMET
7	PD020070		1/4 X 20 X 1 SHOULDER THUMB SCREW
8	PD030050		10-24 CAGE NUT SS
9	B20010825		PHASE II TANK DRAWER
10	B20013825		CART BOTTOM BRACE RH (BQC41/53)
11	PK000018		TANK DRAWER SLIDE (RH OR LH) BBQ GRILL
12	B20013826		INNER BRACE (BQC41/53)



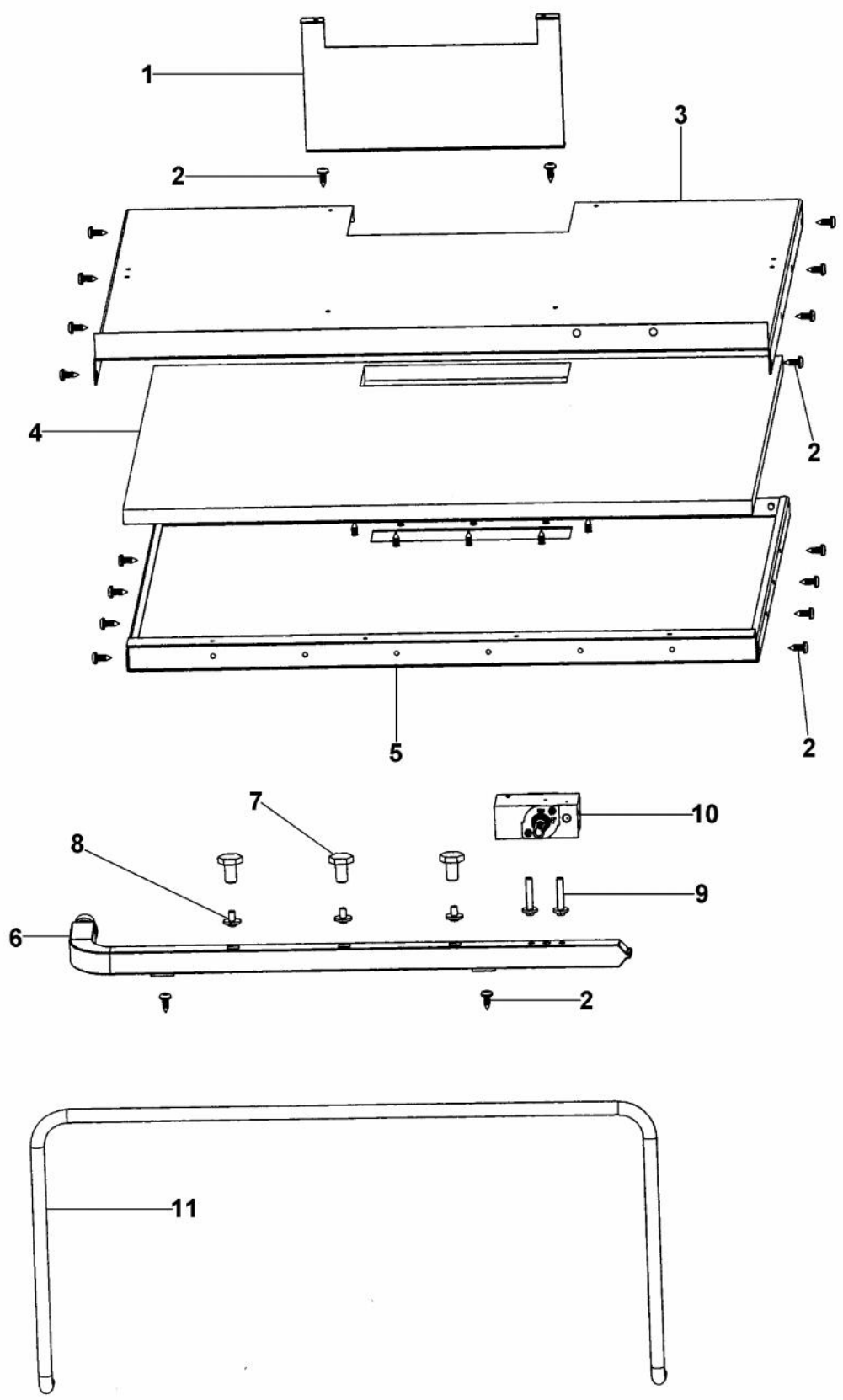
Ref #	Part Number	Qty.	Description
1	B20010810		VCQS 41 INNER CART WALL
2	PD020055		NO.10 X 1/2 PAN PHIL. TEK. SS
3	B30010830		53 CART DRAWER
4	PC080010		SLIDE
5	PD020120		8 X 1/2 TEK SHEET METAL SCREW
6	PC040010		POP RIVET
7	B2005386		CART HANDLE SPACER
8	PD010019		BLT-1/4-20X3/8HEX WASHER SERATED
9	B20010831		CART INNER DRAWER DOOR 53
10	B20010801		DRAWER O/S DOOR PANEL
11	PE030001		BRACKET, DOOR, HANDLE
	PE030001PVD		END CAP DOOR HANDLE XBR
12	PE030136		DOOR HANDLE
	PE030136PVD		DOOR HANDLE PVD



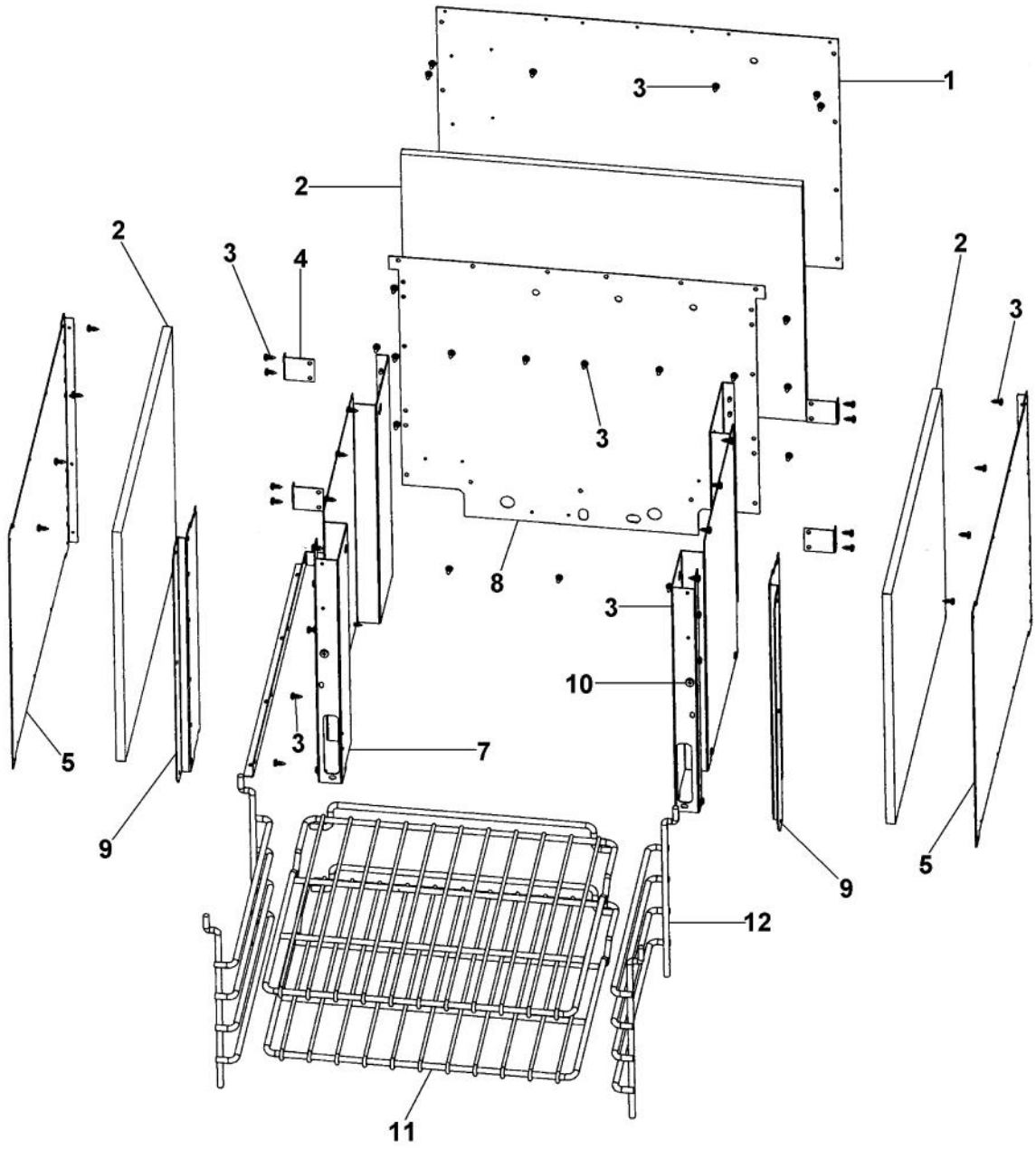
Ref #	Part Number	Qty.	Description
1	PK000018		TANK DRAWER SLIDE (RH OR LH) BBQ GRILL
2	PD020055		NO.10 X 1/2 PAN PHIL. TEK. SS
3	PD030043		1/4-20 CAGE NUT SS
4	PD010019		BLT-1/4-20X3/8HEX WASHER SERATED
5	B30010804		CART BOTTOM
6	B2007920		CASTER BRACE
7	B20010826		FIXED CASTER BRACE
8	B20013825		CART BOTTOM BRACE RH (BQC41/53)
9	PC030020		CASTER, SWIVEL
10	PC030030		RIGID CASTER



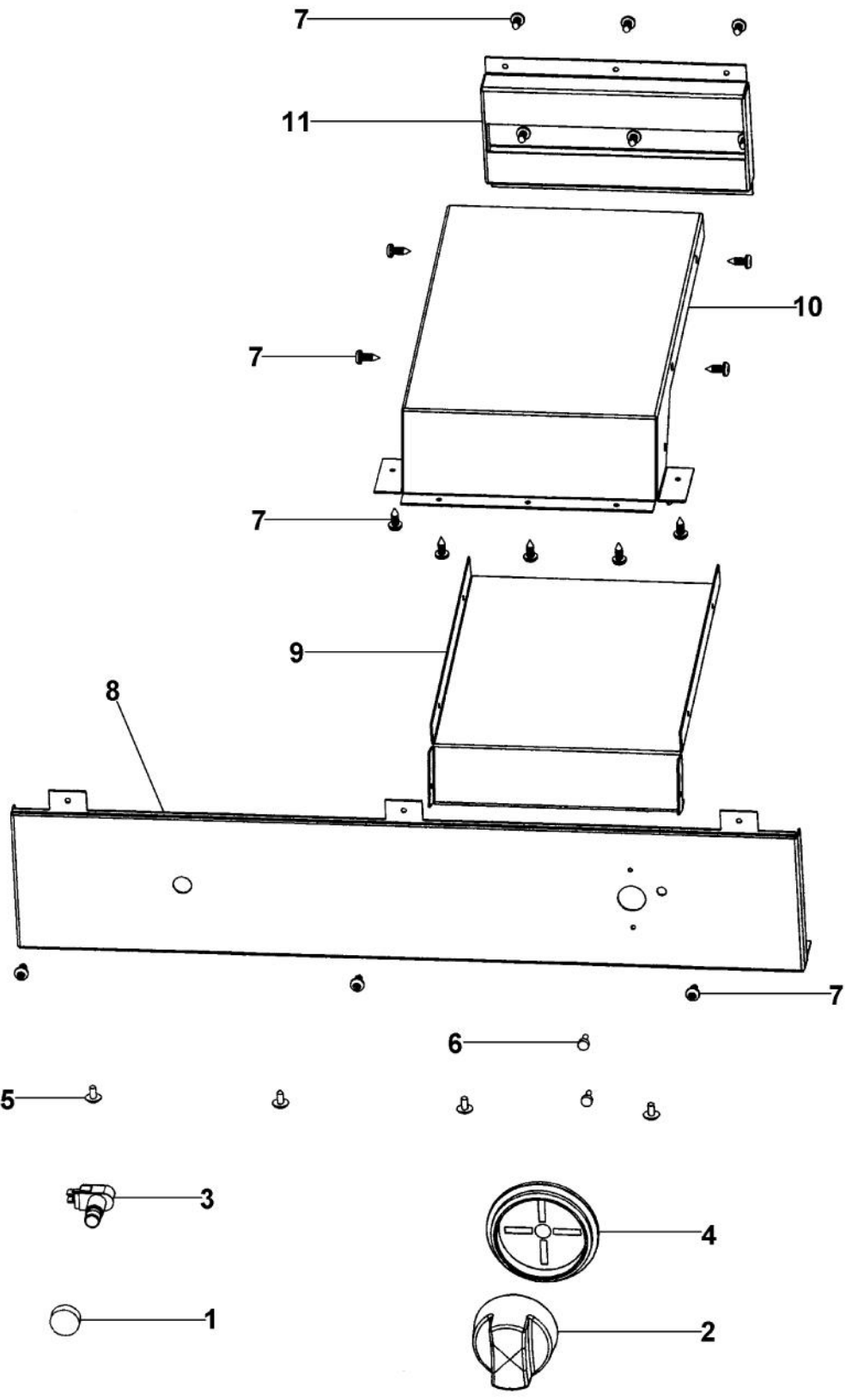
Ref #	Part Number	Qty.	Description
1	G9107670		OVEN BOTTOM ASSY., VGIC245
2	B20010849		BOTTOM PAN HEAT SHIELD
3	PD020055		NO.10 X 1/2 PAN PHIL. TEK. SS
4	PB050076		8 DUEL INJECTION BURNER
5	PB040244		BULK HEAD ORIFICE FITTING
6	PB010266		SAFETY VALVE
7	B20010824		REAR SUPPORT
8	PD020057		NO.10 X 1 FLAT HD. TEK. SS
9	A2000803		OVEN BTM SUPT - 36 B-IN
10	B20010827		OVEN MOUNTING BRACKET
11	B20010803		OVEN BOTTOM
12	B20010809		BOTTOM AIR PLATE
13	B20014411		PILOT BRACKET
14	B20001812		PILOT BRACKET
15	PA020044		PILOT ASSY
16	PB040241		IGNITOR
17	PD020067		NO.6 X 3/8 PAN PHIL. TEK SS
18	PC020008		HINGE ASSY (RED)
19	PD020056		NO.10-24 X 1/2 PH.TR. M.S. SS



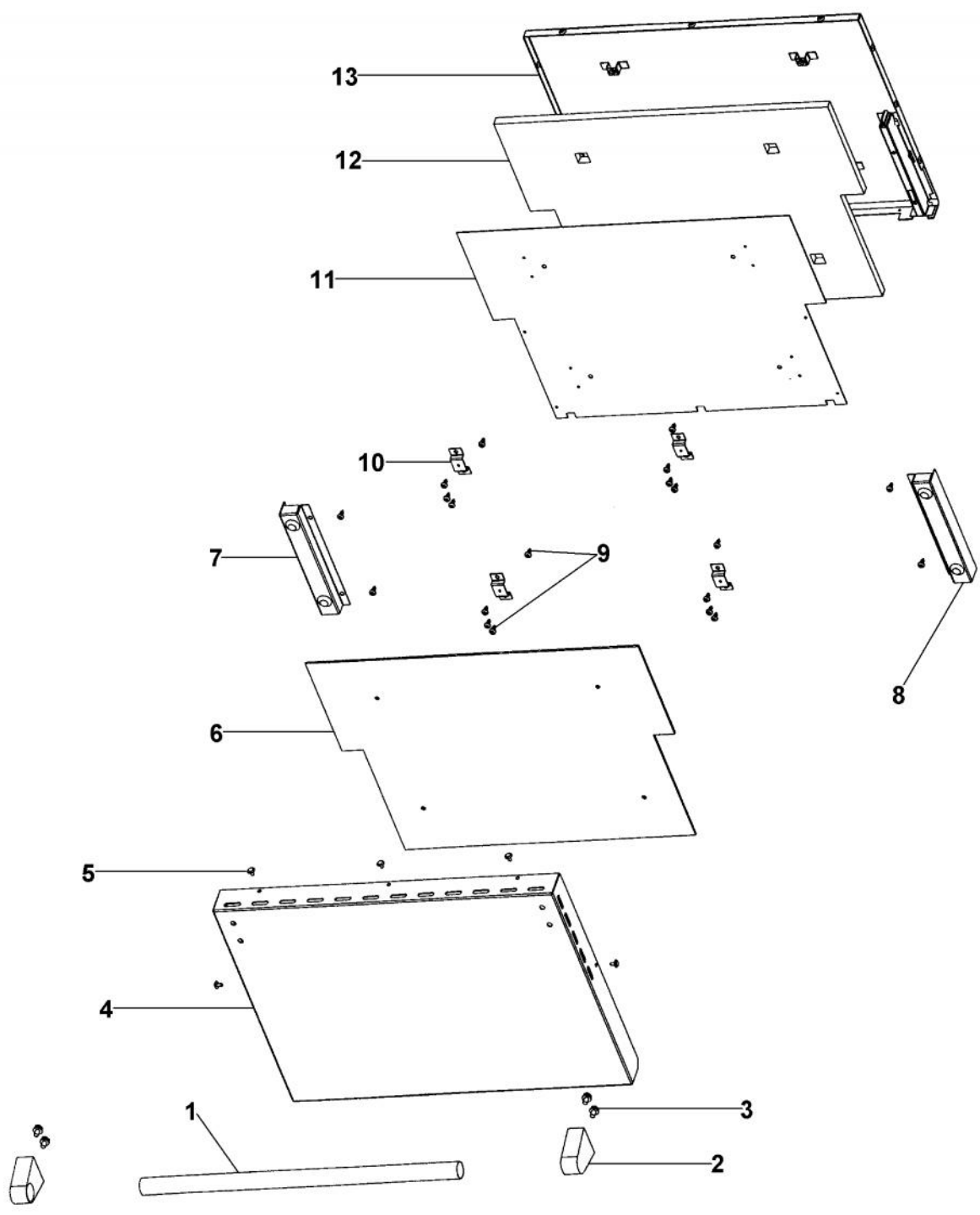
Ref #	Part Number	Qty.	Description
1	B20010869		TIE-IN BRACKET
2	PD020055		NO.10 X 1/2 PAN PHIL. TEK. SS
3	B20010823		TOP INSULATION RETAINER
4	PB070145		SUPERWOOL 5 X 24 X 3`
5	E91010807		OVEN TOP
6	PA050099		MANIFOLD
7	PA010012		ROPER PLUG
8	PD010012		VALVE BOLT 1/4-20 UNC-2B 5/16 M.S.
9	PD020173		MANIFOLD BOLT
10	PB010265		THERMOSTAT
11	PB070193		DOOR GASKET



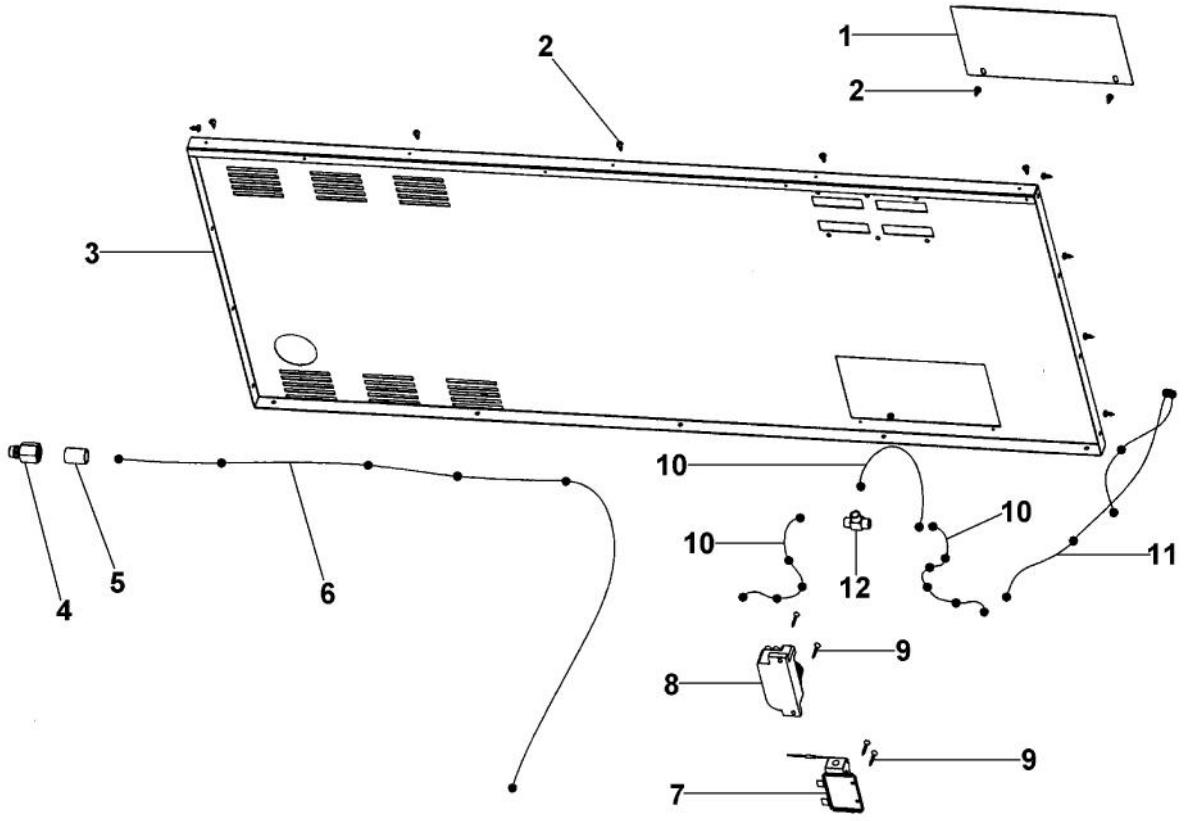
Ref #	Part Number	Qty.	Description
1	B20010822		BACK INSULATION RETAINER
2	PB070145		SUPERWOOL 5 X 24 X 3'
3	PD020055		NO.10 X 1/2 PAN PHIL. TEK. SS
4	B20010824		REAR SUPPORT
5	B20010821		SIDE INSULATION RETAINER
6	E91010805		OVEN SIDE - RH
7	E91010806		OVEN SIDE LH
8	E91010808		OVEN BACK
9	E91010820		SIDE LINER EXTENSION
10	PD020056		NO.10-24 X 1/2 PH.TR. M.S. SS
11	PB060080		OVEN RACK VGIC 24 INCH
12	PB060022		OVEN RACK SUPT (VGSO166)



Ref #	Part Number	Qty.	Description
1	PB010163		OVEN LIGHT SWITCH KNOB BK
2	PA010155		THERMOSTAT KNOB
3	PE050063		SPARKER SWITCH
4	PB0101208		BEZEL - SS
	PB010209		BEZEL BRASS
5	PD020032		SRW-8(A)X3/8PH.WFR HD 7/16DIAXNICL
6	PD020067		NO.6 X 3/8 PAN PHIL. TEK SS
7	PD020055		NO.10 X 1/2 PAN PHIL. TEK. SS
8	B92010802		OVEN CONTROL PANEL
9	B20010838		OVEN VENT BOTTOM
10	B30010837		OVEN VENT TOP
11	G30010840		VENT BOX ASSY



Ref #	Part Number	Qty.	Description
1	PE030134		DOOR HANDLE
	PE030134PVD		DOOR HANDLE PVD
2	PE030001		BRACKET, DOOR, HANDLE
	PE030001PVD		END CAP DOOR HANDLE XBR
3	PD010019		BLT-1/4-20X3/8HEX WASHER SERATED
4	B20010816		OUTSIDE DOOR PANEL
5	PD020032		SRW-8(A)X3/8PH.WFR HD 7/16DIAXNICL
6	J10010851		DOOR HEAT SINK
7	A2002499		HINGE POCKET COVER LH
8	A2002498		HINGE POCKET COVER RH
9	PD020055		NO.10 X 1/2 PAN PHIL. TEK. SS
10	B20010852		DOOR HEAT SINK BRACKET
11	B10010817		DOOR INSULATION RET.
12	PB070145		SUPERWOOL 5 X 24 X 3`
13	G91010815		DOOR LINER WELD ASSY
NI	G32010818SS		DOOR ASSY XSSX BQCO53
	G32010818SSBR		DOOR ASSY XSSBRX BQCO53



Ref #	Part Number	Qty.	Description
1	B20010836		REAR ACCESS PANEL
2	PD020055		NO.10 X 1/2 PAN PHIL. TEK. SS
3	B200010811		GRILL CART BACK
4	PB040167		MALE COUPLER (PHASE 1 GRILL)
5	PB040046		1/2 CLOSE NIPPLE (VGSO166)
6	PB020222		1/2 FLEX TUBING
7	PB010266		SAFETY VALVE
8	PA020036		SPARK MODULE
9	PD020057		NO.10 X 1 FLAT HD. TEK. SS
10	PB020190		10 FLEX TUBE
11	PB020135		FLEX TUBING 34
12	PB040045		3/8 UNION TEE (VGSO166)