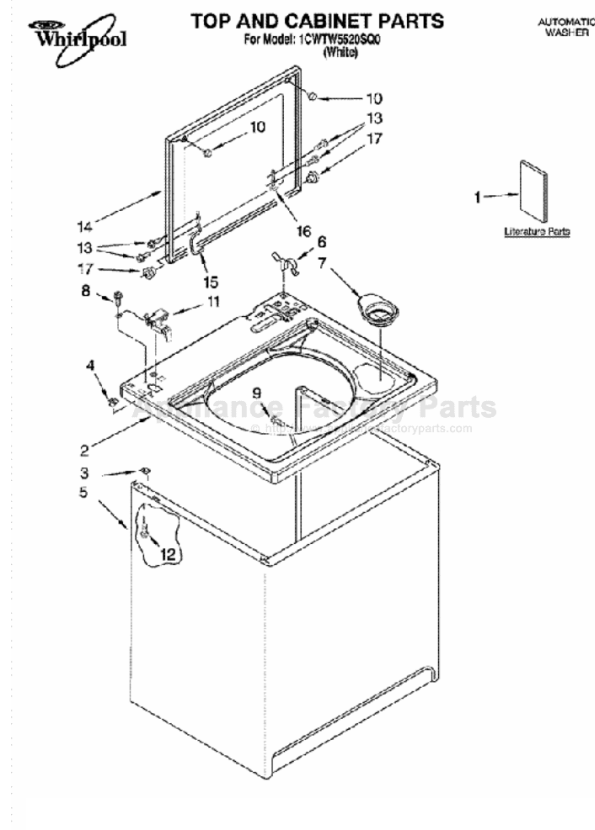


This Owner's Manual is provided and hosted by [Appliance Factory Parts](#).



WHIRLPOOL 1CWTW5520SQ0 Owner's Manual

[Shop genuine replacement parts for WHIRLPOOL
1CWTW5520SQ0](#)



[Find Your WHIRLPOOL Washer Parts - Select From 4132 Models](#)

----- Manual continues below -----



WASHER USER INSTRUCTIONS

INSTRUCCIONES PARA EL USUARIO DE LA LAVADORA

INSTRUCTIONS D'UTILISATION DE LA LAVEUSE

Table of Contents / Índice / Table des matières

ASSISTANCE OR SERVICE	1	AYUDA O SERVICIO TÉCNICO	9	ASSISTANCE OU SERVICE	17
WASHER SAFETY	2	SEGURIDAD DE LA LAVADORA	9	SÉCURITÉ DE LA LAVEUSE	17
WASHER USE	3	USO DE LA LAVADORA	10	UTILISATION DE LA LAVEUSE	18
WASHER CARE	5	CUIDADO DE LA LAVADORA	12	ENTRETIEN DE LA LAVEUSE	20
TROUBLESHOOTING	6	SOLUCIÓN DE PROBLEMAS	13	DÉPANNAGE	21
WARRANTY	8	GARANTÍA	16	GARANTIE	24

Assistance or Service

If you need assistance or service, first see the "Troubleshooting" section. Additional help is available by calling our Customer eXperience Center at **1-800-253-1301** from anywhere in the U.S.A., or write:

Whirlpool Corporation
Customer eXperience Center
553 Benson Road
Benton Harbor, MI 49022-2692

In Canada, for assistance, installation and service call, **1-800-807-6777**, or write:

Customer Interaction Centre
Whirlpool Canada LP
1901 Minnesota Court
Mississauga, Ontario L5N 3A7

Information may also be obtained by visiting our website at **www.whirlpool.com**.

In Canada, visit **www.whirlpool.ca**.

Please include a daytime phone number in your correspondence.

Keep this book and your sales slip together for future reference. You must provide proof of purchase or installation date for in-warranty service.

Write down the following information about your appliance to help you obtain assistance or service if you ever need it. You will need to know your complete model number and serial number. You can find this information on the model and serial number label, located under the washer lid.

Dealer name _____
 Serial number _____
 Address _____
 Phone number _____
 Model number _____
 Purchase date _____



WASHER SAFETY

Your safety and the safety of others are very important.

We have provided many important safety messages in this manual and on your appliance. Always read and obey all safety messages.



This is the safety alert symbol.

This symbol alerts you to potential hazards that can kill or hurt you and others.

All safety messages will follow the safety alert symbol and either the word "DANGER" or "WARNING." These words mean:

⚠ DANGER

You can be killed or seriously injured if you don't immediately follow instructions.

⚠ WARNING

You can be killed or seriously injured if you don't follow instructions.

All safety messages will tell you what the potential hazard is, tell you how to reduce the chance of injury, and tell you what can happen if the instructions are not followed.

IMPORTANT SAFETY INSTRUCTIONS

WARNING: To reduce the risk of fire, electric shock, or injury to persons when using the washer, follow basic precautions, including the following:

- Read all instructions before using the washer.
- Do not wash articles that have been previously cleaned in, washed in, soaked in, or spotted with gasoline, dry-cleaning solvents, other flammable, or explosive substances as they give off vapors that could ignite or explode.
- Do not add gasoline, dry-cleaning solvents, or other flammable, or explosive substances to the wash water. These substances give off vapors that could ignite or explode.
- Under certain conditions, hydrogen gas may be produced in a hot water system that has not been used for 2 weeks or more. **HYDROGEN GAS IS EXPLOSIVE.** If the hot water system has not been used for such a period, before using the washing machine, turn on all hot water faucets and let the water flow from each for several minutes. This will release any accumulated hydrogen gas. As the gas is flammable, do not smoke or use an open flame during this time.
- Do not allow children to play on or in the washer. Close supervision of children is necessary when the washer is used near children.
- Before the washer is removed from service or discarded, remove the door or lid.
- Do not reach into the washer if the drum, tub or agitator is moving.
- Do not install or store the washer where it will be exposed to the weather.
- Do not tamper with controls.
- Do not repair or replace any part of the washer or attempt any servicing unless specifically recommended in this manual or in published user-repair instructions that you understand and have the skills to carry out.
- See "Electrical Requirements" for grounding instructions.

SAVE THESE INSTRUCTIONS

WASHER USE

Starting Your Washer

⚠ WARNING



Fire Hazard

Never place items in the washer that are dampened with gasoline or other flammable fluids.

No washer can completely remove oil.

Do not dry anything that has ever had any type of oil on it (including cooking oils).

Doing so can result in death, explosion, or fire.

⚠ WARNING



Electrical Shock Hazard

Plug into a grounded 3 prong outlet.

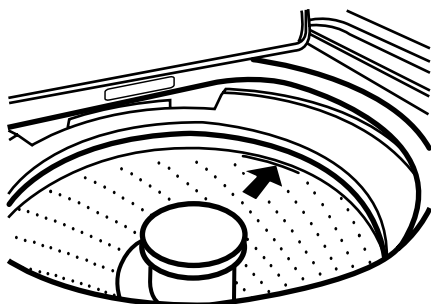
Do not remove ground prong.

Do not use an adapter.

Do not use an extension cord.

Failure to follow these instructions can result in death, fire, or electrical shock.

1. Measure detergent and pour it into the washer. If desired, add powdered or liquid color safe bleach.
2. Drop a sorted load of clothes loosely into your washer.
 - Load evenly to maintain washer balance. Mix large and small items. Items should move easily through the wash water.
 - Load only to the top of the basket as shown. Overloading can cause poor cleaning.

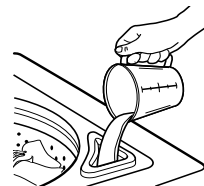


3. (OPTIONAL) Add liquid chlorine bleach.

NOTE: Follow the garment and the chlorine bleach manufacturers' directions for proper use. Undiluted bleach will damage any fabric it touches. The damage appears as rips, holes, tears, or color loss and may not show up until several washings later. To avoid spilling, use a cup with a pouring spout. Do not let bleach splash, drip, or run down into the washer basket. Always measure liquid chlorine bleach. Do not guess. Do not use more than the manufacturer's recommended amount for a full load. Use less with a smaller load size.

Style 1: With liquid chlorine bleach dispenser (on some models)

- Use only liquid chlorine bleach in this dispenser. Do not use this dispenser to add powdered chlorine or color-safe bleach to your load. Pour measured liquid chlorine bleach into the liquid chlorine bleach dispenser. Bleach is immediately fed into washer and is diluted automatically during the wash part of the cycle.



Style 2: Without liquid chlorine bleach dispenser (on some models)

- Let the washer fill and begin agitating the load.
 - Add bleach 5 minutes into the wash cycle for best cleaning and so that bleach can be removed in the rinse cycle. Pour bleach around the agitator, not directly onto the load to avoid damaging clothing or other items in the load.
4. (OPTIONAL) Add liquid fabric softener.

NOTE: Do not spill or drip any fabric softener onto the clothes. Undiluted fabric softener can stain fabrics. Always dilute fabric softener with warm water. Using too much fabric softener can make some items (diapers and towels) nonabsorbent. If this happens, do not use it every load, or use less of it in each load.

Style 1: With liquid fabric softener dispenser (on some models)

- Use only liquid fabric softener in this dispenser. Pour measured liquid fabric softener into the dispenser. Softener is added automatically during the rinse portion of the cycle. Dilute liquid fabric softener by filling the dispenser with warm water until liquid reaches the underside of the rim. See max fill line arrows.



Style 2: Without liquid fabric softener dispenser (on some models)

- In the final rinse only, add fabric softener that has been diluted with ½ to 1 cup (125 to 250 mL) warm water.
5. Close the washer lid. Washer will not agitate or spin with the lid open.
 6. Turn the **LOAD SIZE** or **WATER LEVEL** selector to the correct setting for your wash load and the type of fabric being washed.
 - You may change the load size or water level selection after the washer has started filling by turning the selector to a different setting.
 - On models with a variable Load Size or Water Level control, you should turn the knob to **RESET**, then to desired setting.
 7. Select a Wash Temperature based on the type of fabric and soil being washed. Use the warmest wash water safe for the fabric. Follow garment label instructions.

The Automatic Temperature Control (ATC) (on some models) electronically senses and maintains a uniform water temperature by regulating incoming hot and cold water.

- Even in Cool wash, some warm water is let into the washer to maintain a minimum temperature of approximately 70°F (21°C).

Care Control Temps (on some models), uses Automatic Temperature Control (ATC) to electronically sense and maintain a uniform water temperature by regulating incoming hot and cold water. Care Control Temps provides higher wash temperatures for the more aggressive, heavy-duty cycles and slightly lower temperatures on cycles for delicate and hand wash items, to provide better fabric care.

Temperature Guide

Wash Temp	Suggested Fabrics
Hot Care Control	Whites and pastels Durable garments Heavy soils
Warm Care Control	Bright colors Moderate to light soils
Cool	Colors that bleed or fade Light soils
Cold	Dark colors that bleed or fade Light soils

NOTE: In wash water temperatures colder than 60°F (15.6°C), detergents do not dissolve well. Soils can be difficult to remove. Some fabrics can retain wear wrinkles and have increased pilling (the formation of small lint-like balls on the surface of garments).

8. You can customize your wash by adding rinse Options to your cycle selections. This knob has settings for:
 - Extra Rinse - Selecting this option provides a second rinse. An Extra Rinse can be added to any wash cycle.
 - Cycle Signal - A tone will sound at the end of the cycle. The sound level cannot be adjusted.
 - Extra Rinse & Cycle Signal - This option combines both a Extra Rinse and a Cycle Signal at the end of the wash cycle.
9. Fabric Select (on some models). Each fabric setting is designed for different types of fabric and soil levels. The Fabric Sense™ System (on some models), is an integrated set of controls which work together to provide optimal wash temperatures, agitation times, and agitation/spin speeds based on the Fabric Select setting. The controls provides higher wash temperatures for more aggressive, heavy-duty cycles and slightly lower temperatures on cycles for delicate and hand wash items, to provide better fabric care. The timer knob allows you to decrease agitation time for light soils and increase agitation time for heavy soils.
10. Push in the Timer knob and turn it clockwise to the wash cycle you want. Reduce the wash time when using a small water level setting. Pull out the Timer knob to start the washer.



To stop or restart your washer:

- To stop the washer at any time, push in the Timer knob.
- To restart the washer, close the lid (if open) and pull out the Timer knob.

WASHER CARE

Cleaning Your Washer

Use a soft, damp cloth or sponge to wipe up any spills such as detergent or bleach from the outside of your washer.

Clean your washer interior by mixing 1 cup (250 mL) of chlorine bleach and 2 cups (500 mL) of detergent. Pour this mixture into your washer and run it through a complete cycle using hot water. Repeat this process if necessary.

Remove any hard water deposits using only cleaners labeled as washer safe.

Cleaning the liquid fabric softener dispenser (on some models):

1. Remove dispenser by grasping top with both hands and squeezing, while pushing upward with thumbs.
2. Rinse dispenser under warm water, then replace it.

NOTE: Some models are equipped with a liquid fabric softener dispenser. To avoid damage to the washer or clothing, do not wash clothes with the liquid fabric softener dispenser removed or add detergent or bleach to this dispenser; it is for liquid fabric softener only.

Water Inlet Hoses

Replace inlet hoses after 5 years of use to reduce the risk of hose failure. Periodically inspect and replace inlet hoses if bulges, kinks, cuts, wear or leaks are found.

When replacing your inlet hoses, mark the date of replacement on the label with a permanent marker.

Moving and Storage

Because some water may stay in the hoses, freezing can damage your washer. If storing or moving your washer during freezing weather, winterize it.

Winterizing your washer

1. Shut off both water faucets. Disconnect and drain water inlet hoses. Pour 1 qt (1 L) of R.V.-type antifreeze into the basket.
2. Run washer on a drain and spin setting for about 30 seconds to mix the antifreeze and remaining water.
3. Unplug washer or disconnect power.

To use washer again

1. Flush water pipes and hoses. Reconnect water inlet hoses. Turn on both water faucets.

⚠ WARNING



Electrical Shock Hazard

Plug into a grounded 3 prong outlet.

Do not remove ground prong.

Do not use an adapter.

Do not use an extension cord.

Failure to follow these instructions can result in death, fire, or electrical shock.

2. Plug in washer or reconnect power.
 3. Run the washer through a complete cycle with 1 cup (250 mL) of detergent to clean out antifreeze.
-

Storage, non-use or vacation care

Operate your washer only when you are at home. If you will be on vacation or not using your washer for an extended period of time, you should:

1. Unplug washer or disconnect power.
2. Turn off the water supply to the washer. This helps avoid accidental flooding (due to a water pressure surge) while you are away.

TROUBLESHOOTING

First try the solutions suggested here and possibly avoid the cost of a service call...

Washer and Components

Noisy

- **Is the load balanced and the washer level?** The wash load should be balanced and not overloaded. The washer must be level. The front feet should be properly installed and the nuts tightened. Reset the rear leveling legs (if needed). See the Installation Instructions.
- **Did you completely remove the yellow shipping strap with cotter pins?** See the Installation Instructions.
- **Are the gears engaging after the drain and before spin, or is the upper part of agitator clicking during wash?** These are normal washer noises.

Leaking

- **Check the following:**
 - Are the fill hoses tight?
 - Are the fill hose washers properly seated?
 - Is the drain hose clamp properly installed? See the Installation Instructions.
- **Is the sink or drain clogged?** Sink and standpipe must be able to handle 17 gal. (64 L) of water per minute.
- **Is water deflecting off the tub ring or the load?** Center the tub before starting the washer. The wash load should be balanced and not overloaded. The fill or spray rinses can deflect off the load. The washer must be level. The front feet should be properly installed and the nuts tightened. Reset the rear leveling legs (if needed). See the Installation Instructions.
- **Check household plumbing for leaks.**

Basket crooked

- **Was the washer basket pulled forward during loading?** Push the basket to the center before starting wash.
- **Is the load balanced and the washer level?** The wash load should be balanced and not overloaded. The washer must be level. The front feet should be properly installed and the nuts tightened. Reset the rear leveling legs (if needed). See the Installation Instructions.
- **The washer basket moves while washing.** This is normal.

Agitator operation

- **The top of the agitator is loose, or moves in only one direction.** This is normal.

Dispensers clogged or bleach leaking

- **Did you follow the manufacturer's directions when adding detergent and fabric softener to the dispensers (on some models)?** Measure detergent and fabric softener. Slowly pour into the dispensers. Wipe up all spills. Dilute fabric softener in the fabric softener dispenser.
- **Did you put powdered or color-safe bleach in the liquid chlorine bleach dispenser (on some models)?** Add powdered or liquid color-safe bleach directly to the basket. Do not use the chlorine bleach dispenser for color-safe bleach.

Washer Operation

Washer won't run, fill, rinse or agitate; washer stops

⚠ WARNING



Electrical Shock Hazard

Plug into a grounded 3 prong outlet.

Do not remove ground prong.

Do not use an adapter.

Do not use an extension cord.

Failure to follow these instructions can result in death, fire, or electrical shock.

- **Is the power cord plugged into a grounded 3 prong outlet?** Plug power cord into a grounded 3 prong outlet.
- **Are you using an extension cord?** Do not use an extension cord.
- **Is the indicator on the Timer knob properly lined up with a cycle?** Turn the Timer knob to the right slightly and pull to start.
- **Are the water inlet valve screens clogged?** Turn off the water and remove inlet hoses from the washer. Remove any accumulated film or particles. Reinstall hoses, turn on water and check for leaks.
- **Are both the hot and cold water faucets turned on?** Turn on the water.
- **Is the water inlet hose kinked?** Straighten the hoses.
- **Does the water level seem too low, or does the washer appear to not fill completely?** The top of the agitator is much higher than the highest water level. This is normal and necessary for clothes to move freely.
- **Has a household fuse blown, or has a circuit breaker tripped?** Replace the fuse or reset the circuit breaker. If the problem continues, call an electrician.
- **Is the washer in a normal pause in the cycle?** The washer pauses for about 2 minutes during certain cycles. Allow the cycle to continue. Some cycles feature periods of agitation and soak.
- **Is the washer overloaded?** Wash smaller loads.
- **Is the lid open?** The lid must be closed during operation. Washer will not agitate or spin with the lid open.

Washer won't drain or spin

- **Is the drain hose clogged, or the end of the drain hose more than 96" (244 cm) above the floor?** See the Installation Instructions for proper installation of drain hose.
- **Is the lid open?** The lid must be closed during operation. Washer will not agitate or spin with the lid open.

- **Is there excessive sudsing?** Always measure detergent. Follow manufacturer's directions. If you have very soft water, you might need to use less detergent.

Washer continues to fill or drain, cycle seems stuck

- **Is the top of drain hose lower than the water level in washer?** The top of the hose must be higher than the water level in the washer for proper operation. See the Installation Instructions.
- **Does the drain hose fit too tightly in the standpipe, or is it taped to the standpipe?** The drain hose should be loose yet fit securely. Do not seal the drain hose with tape. The hose needs an air gap. See the Installation Instructions.

Wash/Rinse temperature not what I selected

- **Are the hot and cold water inlet hoses reversed?** See the Installation Instructions for more information. As your frequency of loads washed increases, the water temperature may decrease for hot and warm temperatures. This is normal.

Washer Results

Load too wet

- **Did you use the right cycle for the load being washed?** Select a cycle with a higher spin speed (if available).
- **Did you use a cold rinse?** Cold rinses leave loads wetter than warm rinses. This is normal.

Residue or lint on load

- **Did you sort properly?** Sort lint givers (towels, chenille) from lint takers (corduroy, synthetics). Also sort by color.
- **Did you overload the washer?** The wash load must be balanced and not overloaded. Clothes should move freely. Lint can be trapped in the load if overloaded. Wash smaller loads.
- **Did you select the correct water level?** The water level should be correct for the load size. Clothes should move freely in the water.
- **Did you use enough detergent?** Follow manufacturer's directions. Use enough detergent to hold the lint in the water.
- **Did you line dry your clothing?** If so, you can expect some lint on the clothing.
- **Check the following:**
 - Was paper or tissue left in the pockets?
 - Is your water colder than 60°F (15.6°C)? Wash water colder than 60°F (15.6°C) may not completely dissolve the detergent.
 - Did you use the proper cycle time for the load? Reducing wash time (duration) is another way to reduce lint.

Stains on load

- **Did you follow the manufacturer's directions when adding detergent and fabric softener?** Measure detergent and fabric softener. Use enough detergent to remove soil and hold it in suspension. Dilute fabric softener and add to the rinse portion of a cycle only. Do not drip fabric softener on clothes.
- **Is there above average iron (rust) in water?** You may need to install an iron filter.
- **Did you properly sort the load?** Sort dark clothes from whites and lights.
- **Did you unload the washer promptly?** To avoid dye transfer, unload the washer as soon as it stops.

Load is wrinkled

- **Did you unload the washer promptly?** Unload the washer as soon as it stops.
- **Did you use the right cycle for the load being washed?** Use the cycle for Casual or Permanent Press clothes or another cycle with low spin speeds (if available) to reduce wrinkling.
- **Did you overload the washer?** The wash load must be balanced and not overloaded. Loads should move freely during washing.

To reduce wrinkling of permanent press clothes and some synthetic knits, use a large load size to provide more space.
- **Are the hot and cold water hoses reversed?** Check that the hot and cold water hoses are connected to the right faucets. See the Installation Instructions.

Load is tangled or twisted

- **Did you overload the washer?** The wash load must be balanced and not overloaded. Loads should move freely during washing.
- **Did you wrap items around the agitator?** Drop items loosely into the washer. Do not wrap items around the agitator.

Gray whites, dingy colors

- **Did you properly sort the load?** Dye transfer can occur when mixing whites and colors in a load. Sort dark clothes from whites and lights.
- **Was the wash temperature too low?** Use hot or warm washes if safe for the load. Make sure your hot water system is adequate to provide a hot water wash.
- **Did you use enough detergent, or do you have hard water?** Use more detergent for washing heavy soils in cold or hard water.
- **Are the hot and cold water hoses reversed?** Check to be sure the hot and cold water hoses are connected to the right faucets. See the Installation Instructions.

Garments damaged

- **Check the following:**
 - Were sharp items removed from pockets before washing? Empty pockets, zip zippers, snap or hook fasteners before washing.
 - Were strings and sashes tied to avoid tangling?
 - Were items damaged before washing? Mend rips and broken threads in seams before washing.
- **Did you overload the washer?** The wash load must be balanced and not overloaded. Loads should move freely during washing.
- **Did you add chlorine bleach properly?** Do not pour chlorine bleach directly onto load. Wipe up bleach spills. Undiluted bleach will damage fabrics. Do not place load items on top of the bleach dispenser when loading and unloading the washer (on some models).
- **Did you follow the manufacturer's care label instructions?**

WHIRLPOOL CORPORATION MAJOR APPLIANCE WARRANTY

ONE YEAR LIMITED WARRANTY

For one year from the date of purchase, when this major appliance is operated and maintained according to instructions attached to or furnished with the product, Whirlpool Corporation or Whirlpool Canada LP (hereafter "Whirlpool") will pay for Factory Specified Parts and repair labor to correct defects in materials or workmanship. Service must be provided by a Whirlpool designated service company. This limited warranty applies only when the major appliance is used in the country in which it was purchased.

ITEMS WHIRLPOOL WILL NOT PAY FOR

1. Service calls to correct the installation of your major appliance, to instruct you how to use your major appliance, to replace or repair house fuses or to correct house wiring or plumbing.
 2. Service calls to repair or replace appliance light bulbs, air filters or water filters. Those consumable parts are excluded from warranty coverage.
 3. Repairs when your major appliance is used for other than normal, single-family household use.
 4. Damage resulting from accident, alteration, misuse, abuse, fire, flood, acts of God, improper installation, installation not in accordance with electrical or plumbing codes, or use of products not approved by Whirlpool.
 5. Any food loss due to refrigerator or freezer product failures.
 6. Replacement parts or repair labor costs for units operated outside the United States or Canada.
 7. Pickup and delivery. This major appliance is designed to be repaired in the home.
 8. Repairs to parts or systems resulting from unauthorized modifications made to the appliance.
 9. Expenses for travel and transportation for product service in remote locations.
 10. The removal and reinstallation of your appliance if it is installed in an inaccessible location or is not installed in accordance with published installation instructions.
 11. Replacement parts or repair labor costs when the major appliance is used in a country other than the country in which it was purchased.
-

DISCLAIMER OF IMPLIED WARRANTIES; LIMITATION OF REMEDIES

CUSTOMER'S SOLE AND EXCLUSIVE REMEDY UNDER THIS LIMITED WARRANTY SHALL BE PRODUCT REPAIR AS PROVIDED HEREIN. IMPLIED WARRANTIES, INCLUDING WARRANTIES OF MERCHANTABILITY OR FITNESS FOR A PARTICULAR PURPOSE, ARE LIMITED TO ONE YEAR OR THE SHORTEST PERIOD ALLOWED BY LAW. WHIRLPOOL SHALL NOT BE LIABLE FOR INCIDENTAL OR CONSEQUENTIAL DAMAGES. SOME STATES AND PROVINCES DO NOT ALLOW THE EXCLUSION OR LIMITATION OF INCIDENTAL OR CONSEQUENTIAL DAMAGES, OR LIMITATIONS ON THE DURATION OF IMPLIED WARRANTIES OF MERCHANTABILITY OR FITNESS, SO THESE EXCLUSIONS OR LIMITATIONS MAY NOT APPLY TO YOU. THIS WARRANTY GIVES YOU SPECIFIC LEGAL RIGHTS AND YOU MAY ALSO HAVE OTHER RIGHTS, WHICH VARY FROM STATE TO STATE OR PROVINCE TO PROVINCE.

Outside the 50 United States and Canada, this warranty does not apply. Contact your authorized Whirlpool dealer to determine if another warranty applies.

If you need service, first see the "Troubleshooting" section of the Use & Care Guide. After checking "Troubleshooting," additional help can be found by checking the "Assistance or Service" section or by calling Whirlpool. In the U.S.A., call **1-800-253-1301**. In Canada, call **1-800-807-6777**.

12/05

Replacement parts

If you need to order replacement parts, we recommend that you only use FSP® factory specified parts. These parts will fit right and work right because they are made with the same precision used to build every new WHIRLPOOL® appliance.

To locate FSP® replacement parts in your area:

Call the Customer Interaction Center at **1-800-253-1301**, or your nearest designated service center. In Canada call **1-800-807-6777**.

For information on how to contact Whirlpool, please see front page of this document.

INSTRUCCIONES PARA EL USUARIO DE LA LAVADORA

Ayuda o servicio técnico

Si necesita ayuda o servicio técnico, consulte primeramente la "Solución de Problemas." Puede obtener asistencia adicional llamando a nuestro Centro para la eXperiencia del Cliente al **1-800-253-1301** desde cualquier lugar de los EE.UU., o escriba a:

**Whirlpool Corporation
Customer eXperience Center
553 Benson Road
Benton Harbor, MI 49022-2692**

En Canadá, para asistencia, instalación y servicio llame al **1-800-807-6777**, o escriba a:

**Customer Interaction Centre
Whirlpool Canada LP
1901 Minnesota Court
Mississauga, Ontario L5N 3A7**

También puede obtener información visitando nuestro sitio web en **www.whirlpool.com**.

En Canadá, visite **www.whirlpool.ca**.

Favor de incluir un número telefónico de día en su correspondencia.

Guarde este libro y su comprobante de venta juntos para referencia futura. Usted deberá proporcionar evidencia de la compra o una fecha de instalación para obtener servicio bajo la garantía.

Escriba la siguiente información acerca de su electrodoméstico para ayudarlo mejor a obtener ayuda o servicio técnico si alguna vez llegara a necesitarlo. Deberá tener a mano el número completo del modelo y de la serie. Podrá encontrar esta información en la etiqueta con el número del modelo y de la serie, ubicados debajo de la tapa de la lavadora.

Nombre del distribuidor _____

Número de serie _____

Dirección _____

Número de teléfono _____

Número de modelo _____

Fecha de compra _____

SEGURIDAD DE LA LAVADORA

Su seguridad y la seguridad de los demás es muy importante.

Hemos incluido muchos mensajes importantes de seguridad en este manual y en su electrodoméstico. Lea y obedezca siempre todos los mensajes de seguridad.



Este es el símbolo de advertencia de seguridad.

Este símbolo le llama la atención sobre peligros potenciales que pueden ocasionar la muerte o una lesión a usted y a los demás.

Todos los mensajes de seguridad irán a continuación del símbolo de advertencia de seguridad y de la palabra "PELIGRO" o "ADVERTENCIA". Estas palabras significan:

⚠ PELIGRO

Si no sigue las instrucciones de inmediato, usted puede morir o sufrir una lesión grave.

⚠ ADVERTENCIA

Si no sigue las instrucciones, usted puede morir o sufrir una lesión grave.

Todos los mensajes de seguridad le dirán el peligro potencial, le dirán cómo reducir las posibilidades de sufrir una lesión y lo que puede suceder si no se siguen las instrucciones.

INSTRUCCIONES IMPORTANTES DE SEGURIDAD

ADVERTENCIA: Para reducir el riesgo de incendio, choque eléctrico o lesiones a personas al usar su lavadora, siga las precauciones básicas, incluyendo las siguientes:

- Lea todas las instrucciones antes de usar la lavadora.
- No lave artículos que hayan sido previamente limpiados, lavados, remojados o humedecidos con gasolina, solventes para lavar en seco, u otras sustancias inflamables o explosivas ya que éstas emanan vapores que podrían encenderse o causar una explosión.
- No agregue gasolina, solventes para lavar en seco, u otras sustancias inflamables o explosivas al agua de lavado. Estas sustancias emanan vapores que podrían encenderse o causar una explosión.
- En ciertas condiciones, puede generarse gas hidrógeno en un sistema de agua caliente que no se haya usado por dos semanas o un período mayor. **EL GAS HIDRÓGENO ES EXPLOSIVO.** Si no se ha usado el agua caliente durante dicho período, antes de usar la lavadora, abra todos los grifos de agua caliente y deje que corra el agua por varios minutos. Esto liberará todo el gas hidrógeno que se haya acumulado. Debido a la inflamabilidad de dicho gas, no fume ni use una llama abierta durante este lapso.
- No permita que los niños jueguen encima o dentro de la lavadora. Es necesario una supervisión cuidadosa de los niños toda vez que se use la lavadora cerca de ellos.
- Antes de poner la lavadora fuera de servicio o desecharla, quítele la puerta o la tapa.
- No introduzca las manos en la lavadora si el tambor, la tina, o el agitador están funcionando.
- No instale ni almacene esta lavadora donde pudiese estar sometida a la intemperie.
- No trate de forzar los controles.
- No repare ni cambie pieza alguna de la lavadora ni intente realizar tarea alguna de servicio técnico, excepto cuando así se le indique específicamente en este manual o en instrucciones de reparación para el usuario publicadas, que usted entienda y para cuya ejecución cuente con la habilidad necesaria.
- Para obtener información respecto a los requisitos de conexión a tierra, refiérase a los "Requisitos Eléctricos".

GUARDE ESTAS INSTRUCCIONES

USO DE LA LAVADORA

Puesta en marcha de su lavadora

⚠ ADVERTENCIA



Peligro de Incendio

Nunca coloque en la lavadora artículos que estén humedecidos con gasolina o cualquier otro líquido inflamable.

Ninguna lavadora puede eliminar completamente el aceite.

No seque ningún artículo que haya tenido alguna vez cualquier tipo de aceite (incluyendo aceites de cocina).

No seguir estas instrucciones puede ocasionar la muerte, explosión o incendio.

⚠ ADVERTENCIA



Peligro de Choque Eléctrico

Conecte a un contacto de pared de conexión a tierra de 3 terminales.

No quite la terminal de conexión a tierra.

No use un adaptador.

No use un cable eléctrico de extensión.

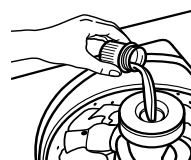
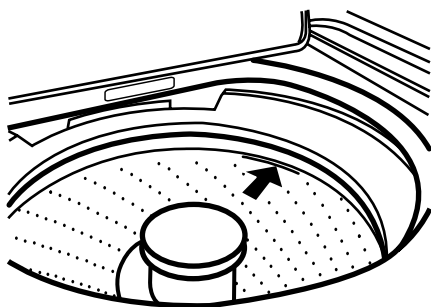
No seguir estas instrucciones puede ocasionar la muerte, incendio o choque eléctrico.

1. Mida el detergente y viértalo en la lavadora. Agregue blanqueador en polvo o blanqueador líquido no decolorante, si lo desea.

2. Coloque en la lavadora la ropa seleccionada de modo que quede suelta.

- Coloque las prendas de manera uniforme para mantener el equilibrio de la lavadora. Mezcle artículos grandes con artículos pequeños. Las prendas deben moverse con facilidad en el agua de lavado.

- Cargue solamente hasta la parte superior de la canasta, como se muestra. El sobrecargar la lavadora puede causar una limpieza insatisfactoria.

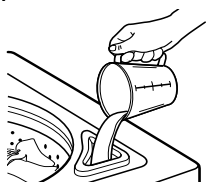


- (OPCIONAL) Agregue el blanqueador líquido con cloro.

NOTA: Siga las instrucciones del fabricante de las prendas y del blanqueador con cloro para el uso adecuado del mismo. El blanqueador no diluido daña cualquier tejido que toque. Estos daños aparecen como rasgaduras, agujeros, roturas o decoloraciones y quizás no aparezcan hasta después de varias lavadas. Use una taza con un pico vertedor para evitar derrames. No deje que el blanqueador salpique, gotee, o corra dentro de la canasta de la lavadora. Siempre mida el blanqueador líquido con cloro. No lo haga al cálculo. Nunca use más de la cantidad recomendada por el fabricante para una carga completa. Use menos con una carga de menor tamaño.

Estilo 1: Con depósito del blanqueador con cloro (en algunos modelos)

- Use solamente blanqueador con cloro líquido en este depósito. No use este depósito para agregar blanqueador en polvo con cloro o blanqueador no decolorante a su carga de lavado. Vierta una medida de blanqueador líquido con cloro en el depósito del blanqueador líquido con cloro. El blanqueador se vierte en la lavadora de inmediato y se diluye automáticamente en la etapa de lavado del ciclo.



Estilo 2: Sin depósito de blanqueador con cloro (en algunos modelos)

- Deje que la lavadora se llene y comience a agitar la ropa.
- Agregue el blanqueador 5 minutos después de que comience el ciclo de lavado para una mejor limpieza y para que el blanqueador se pueda quitar en el ciclo de enjuague. Vierta el blanqueador alrededor del agitador, no directamente sobre la carga para evitar dañar las prendas u otros artículos de la carga.

- (OPCIONAL) Agregue el suavizante líquido de telas.

NOTA: No derrame o gotee el suavizante de telas sobre las prendas. El suavizante de telas sin diluir puede manchar la tela. Siempre diluya el suavizante de telas con agua tibia. El exceso de suavizante de telas puede quitar la capacidad de absorción de algunos productos (pañales y toallas). Si sucede esto, no lo use siempre o use menos en cada carga.

Estilo 1: Con depósito del suavizante líquido de telas (en algunos modelos)

- Use solamente suavizante de telas líquido en este depósito. Vierta el suavizante líquido de telas en el depósito. El suavizante se incorpora automáticamente durante la etapa de enjuague del ciclo. Diluya el suavizante líquido de telas llenando el depósito con agua tibia hasta que el líquido llegue a la parte inferior del borde. Vea las flechas de la línea máxima de llenado.

Estilo 2: Sin depósito del suavizante líquido de telas (en algunos modelos)

- Agregue el suavizante de telas que ha sido diluido con $\frac{1}{2}$ a 1 taza (125 a 250 mL) de agua tibia solamente en el enjuague final.
- Cierre la tapa de la lavadora. La lavadora no agitará ni exprimirá con la tapa abierta.
 - Gire el selector de tamaño de carga (LOAD SIZE) o del nivel de agua (WATER LEVEL) al ajuste adecuado para la carga y el tipo de tela que va a lavar.
 - Usted puede cambiar el tamaño de la carga o del nivel de agua después de que se haya empezado a llenarse la lavadora girando el selector a un ajuste diferente.
 - En modelos con control variable del tamaño de carga o de nivel de agua, debe girar la perilla a reajustar (RESET) y luego al ajuste deseado.
 - Seleccione una temperatura de agua de lavado basado en el tipo de tela que esté lavando y el nivel de suciedad. Use la temperatura del agua de lavado más caliente que se pueda que no dañará las telas. Siga las instrucciones de la etiqueta de las prendas.

El control automático de temperatura (CAT) (en algunos modelos) detecta y mantiene electrónicamente una temperatura del agua uniforme regulando la entrada de agua caliente y fría.

- Aún en lavados con agua fría, un poco de agua tibia entra en la lavadora para mantener una temperatura mínima de aproximadamente 70°F (21°C).

Las temperaturas del control de cuidado (en algunos modelos) usan el control automático de temperatura (CAT) para detectar y mantener electrónicamente una temperatura del agua uniforme regulando la entrada de agua caliente y fría. Las temperaturas del control de cuidado proveen temperaturas más altas de lavado para los ciclos más agresivos e intensos, y ligeramente más bajas para los ciclos de artículos delicados y de lavado a mano, para proporcionar el mejor cuidado de las telas.

Guía de la temperatura

Temperatura de lavado	Telas sugeridas
Caliente	Ropa blanca y de color pastel
Control de cuidado	Prendas durables Suciedad profunda
Tibia	Colores brillantes
Control de cuidado	Suciedad entre moderada y ligera
Fresca	Colores que destiñen o que se opacan
	Suciedad ligera
Fría	Colores oscuros que destiñen o que se opacan
	Suciedad ligera

NOTA: En temperaturas de agua inferiores a 60°F (15,6°C), los detergentes no se disuelven bien. Además puede ser difícil quitar la suciedad. Algunas telas pueden retener las arrugas del uso y aumentar la formación de motitas (la formación de pequeñas bolitas en la superficie de las prendas).

8. Usted puede personalizar su lavado al agregar opciones (Options) de enjuague a sus selecciones de ciclo. Esta perilla tiene ajustes para:

- Enjuague adicional (Extra Rinse) - Al seleccionar esta opción se proveerá un segundo enjuague. Puede agregarse un enjuague adicional a cualquier ciclo de lavado.
- Señal de ciclo - Se escuchará un tono al final del ciclo. El nivel de sonido no puede regularse.
- Enjuague adicional (Extra Rinse) y Señal de ciclo (Cycle Signal) - Esta opción combina un enjuague adicional y la señal de ciclo al final del ciclo de lavado.

9. Selección de telas (Fabric Select) (en algunos modelos). Cada ajuste de tela fue diseñado para distintos tipos de tela y niveles de suciedad.

El sistema de detección de telas Fabric Sense™ (en algunos modelos) es un conjunto integrado de controles que funcionan juntos para proporcionar temperaturas de lavado, tiempos de agitación y velocidades de agitación/exprimido óptimos según el ajuste de selección de telas (Fabric Select). Los controles proveen temperaturas más altas de lavado para

los ciclos más agresivos e intensos, y ligeramente más bajas para los ciclos de artículos delicados y de lavado a mano, para proporcionar el mejor cuidado de las telas. La perilla del temporizador le permite disminuir el tiempo de agitación cuando la suciedad es ligera y aumentarlo cuando la suciedad es profunda.

10. Empuje la perilla del temporizador y gírela en la dirección de las manecillas del reloj hasta el ciclo de lavado que desee. Reduzca el tiempo de lavado cuando use un ajuste bajo de nivel de agua. Jale la perilla del temporizador para poner la lavadora en marcha.



Para detener o volver poner en marcha su lavadora:

- Para detener la lavadora en cualquier momento, empuje la perilla del temporizador.
- Para volver a poner en marcha la lavadora, cierre la tapa (si está abierta) y jale la perilla del temporizador.

CUIDADO DE LA LAVADORA

Cómo limpiar su lavadora

Use un paño o una esponja suave y húmeda para limpiar cualquier derrame, tales como los de detergente o blanqueador, de la parte exterior de su lavadora.

Limpie el interior de su lavadora mezclando 1 taza (250 mL) de blanqueador con cloro y 2 tazas (500 mL) de detergente. Vierta esta mezcla en su lavadora y deje funcionar su lavadora durante un ciclo completo, utilizando agua caliente. Repita este proceso si fuera necesario.

Quite los depósitos endurecidos de agua usando solamente productos de limpieza cuya etiqueta indica que pueden emplearse en lavadoras.

Limpieza del depósito del líquido suavizante de telas (en algunos modelos):

1. Quite el depósito agarrando la parte superior con las dos manos y apretándolo, mientras empuja hacia arriba con los pulgares.
2. Enjuague el depósito debajo de agua tibia, y luego vuelva a colocarlo.

NOTA: Algunos modelos tienen un depósito de suavizante líquido de telas. Para evitar daños en la lavadora o en las prendas, no lave la ropa si ha quitado el depósito de suavizante líquido de telas, ni agregue detergente o blanqueador en este depósito ya que es para uso exclusivo del suavizante líquido de telas.

Mangueras de entrada de agua

Reemplace las mangueras de entrada de agua después de 5 años de uso para reducir el riesgo de fallas. Revise periódicamente y cambie las mangueras de entrada si se hallan protuberancias, torceduras, cortes, desgaste o pérdidas de agua.

Cuando reemplace sus mangueras de entrada de agua, anote la fecha de reposición en la etiqueta con un marcador permanente.

Mudanza y almacenaje

Debido a que puede quedar un poco de agua en las mangueras, el congelamiento de la misma podría dañar su lavadora. Si va a guardar o trasladar su lavadora durante una temporada de invierno riguroso, acondiciónela para el invierno.

Cómo preparar su lavadora para el invierno

1. Cierre ambos grifos de agua. Desconecte y elimine el agua de las mangueras de entrada de agua. Vierta 1 cuarto (1 L) de anticongelante tipo R.V. en la canasta.
2. Ponga a funcionar la lavadora en un ajuste de desagüe y exprimido por 30 segundos aproximadamente para mezclar el anticongelante y el agua.
3. Desenchufe la lavadora o desconecte el suministro de energía.

Para volver a usar la lavadora

1. Deje correr el agua por los tubos y las mangueras. Vuelva a conectar las mangueras de entrada de agua. Abra ambos grifos de agua.

⚠ ADVERTENCIA



Peligro de Choque Eléctrico

Conecte a un contacto de pared de conexión a tierra de 3 terminales.

No quite la terminal de conexión a tierra.

No use un adaptador.

No use un cable eléctrico de extensión.

No seguir estas instrucciones puede ocasionar la muerte, incendio o choque eléctrico.

2. Enchufe la lavadora o reconecte el suministro de energía.
3. Ponga a funcionar la lavadora por un ciclo completo con 1 taza (250 mL) de detergente para limpiar el anticongelante.

Almacenaje, falta de uso o cuidado durante las vacaciones

Ponga a funcionar su lavadora únicamente cuando esté en casa. Si va a salir de vacaciones o no va a usar la lavadora durante un período prolongado de tiempo usted debe:

1. Desenchufar la lavadora o desconectar el suministro de energía.
2. Interrumpir el suministro de agua a la lavadora. Esto ayuda a evitar inundaciones accidentales (debido a aumentos en la presión del agua) en ausencia de suya.

SOLUCIÓN DE PROBLEMAS

En primer lugar, pruebe las soluciones sugeridas aquí y posiblemente se evite el gasto de una llamada de servicio técnico...

Lavadora y componentes

Ruidosos

- **¿Está la carga equilibrada y la lavadora nivelada?** La carga de lavado debe estar equilibrada y sin sobrecarga. La lavadora debe estar nivelada. Las patas delanteras deben estar debidamente instaladas y las tuercas ajustadas. Reajuste las patas niveladoras traseras (de ser necesario). Consulte las Instrucciones de instalación.
- **¿Ha quitado por completo el fleje de transporte amarillo con chavetas?** Consulte las Instrucciones de instalación.
- **¿Están cambiando de velocidad los engranajes después del desagüe y antes del exprimido, o está la parte superior del agitador haciendo chasquidos durante el lavado?** Estos ruidos de la lavadora son normales.

Pierde agua

- **Verifique lo siguiente:**
 - ¿Están ajustadas las mangueras de llenado?
 - ¿Están debidamente colocadas las arandelas de las mangueras de llenado?
 - ¿Se ha instalado debidamente la abrazadera de la manguera de desagüe? Consulte las Instrucciones de instalación.
- **¿Está obstruido el lavadero o el desagüe?** El lavadero y el tubo vertical deben tener la capacidad para desplazar 17 gal. (64 L) de agua por minuto.
- **¿Se está desviando el agua fuera del aro del tambor o de la carga?** Centre el tambor antes de poner la lavadora en marcha. La carga de lavado debe estar equilibrada y sin sobrecarga. El llenado o los enjuagues por rocío pueden desviarse de la carga. La lavadora debe estar nivelada. Las patas delanteras deben estar debidamente instaladas y las tuercas ajustadas. Reajuste las patas niveladoras traseras (de ser necesario). Consulte las Instrucciones de instalación.
- **Revise la plomería de la casa y fijese si hay fugas de agua.**

La canasta está torcida

- **¿Ha jalado hacia adelante la canasta de la lavadora al cargar la ropa?** Empuje la canasta al centro antes de comenzar a lavar.
- **¿Está la carga equilibrada y la lavadora nivelada?** La carga de lavado debe estar equilibrada y sin sobrecarga. La lavadora debe estar nivelada. Las patas delanteras deben estar debidamente instaladas y las tuercas ajustadas. Reajuste las patas niveladoras traseras (de ser necesario). Consulte las Instrucciones de instalación.
- **La canasta de la lavadora se mueve durante el lavado.** Esto es normal.

Funcionamiento del agitador

- **La parte superior del agitador está floja, o se mueve en una sola dirección.** Esto es normal.

Los depósitos están obstruidos o hay pérdida de blanqueador

- **¿Ha seguido las instrucciones del fabricante cuando agregó el detergente y el suavizante de telas en los depósitos (en algunos modelos)?** Mida el detergente y el suavizante de telas. Viértalos lentamente en los depósitos. Limpie todos los derrames. Diluya el suavizante de telas en el depósito del suavizante de telas.
- **¿Ha puesto blanqueador en polvo o blanqueador no decolorante en el depósito del blanqueador con cloro líquido (en algunos modelos)?** Agregue el blanqueador en polvo o blanqueador líquido no decolorante directamente en la canasta. No use el depósito del blanqueador líquido con cloro para el blanqueador no decolorante.

Funcionamiento de la lavadora

La lavadora no se pone en marcha, no llena, no enjuaga o no agita; la lavadora se detiene

⚠ ADVERTENCIA



Peligro de Choque Eléctrico

Conecte a un contacto de pared de conexión a tierra de 3 terminales.

No quite la terminal de conexión a tierra.

No use un adaptador.

No use un cable eléctrico de extensión.

No seguir estas instrucciones puede ocasionar la muerte, incendio o choque eléctrico.

- **¿Está el cable eléctrico enchufado en un tomacorriente de 3 terminales con conexión a tierra?** Conecte a un contacto de pared de conexión a tierra de 3 terminales.
- **¿Está usando un cable eléctrico de extensión?** No use un cable eléctrico de extensión.
- **¿Está el indicador de la perilla del temporizador debidamente alineado con un ciclo?** Gire la perilla del temporizador ligeramente a la derecha y júlela para poner en marcha.
- **¿Están obstruidos los filtros de la válvula de entrada del agua?** Cierre el agua y quite las mangueras de entrada de la lavadora. Saque cualquier película o partículas que se hayan acumulado. Vuelva a abrir las mangueras, abra el agua y revise si hay fugas de agua.
- **¿Están abiertos los grifos del agua caliente y del agua fría?** Abra el agua.
- **¿Está retorcida la manguera de entrada del agua?** Enderece las mangueras.
- **¿Parece que el nivel del agua está demasiado bajo, o parece que la lavadora no se llena por completo?** La parte superior del agitador está mucho más alta que el nivel más alto del agua. Esto es normal y necesario para el movimiento apropiado de la ropa.

- **¿Hay un fusible de la casa fundido o se disparó el cortacircuitos?** Reemplace el fusible o reposicione el cortacircuitos. Si el problema continúa, llame a un electricista.
- **¿Está la lavadora en una pausa normal en el ciclo?** La lavadora hace una pausa por unos 2 minutos durante ciertos ciclos. Deje continuar el ciclo. Algunos ciclos presentan periodos de agitación y remojo.
- **¿Está sobrecargada la lavadora?** Lave cargas más pequeñas.
- **¿Está abierta la tapa?** La tapa debe estar cerrada durante el funcionamiento. La lavadora no agitará ni exprimirá con la tapa abierta.

La lavadora no desagua ni exprime

- **¿Está obstruida la manguera de desagüe, o está el extremo de la manguera de desagüe a más de 96" (244 cm) por encima del piso?** Vea las Instrucciones de instalación para la instalación adecuada de la manguera de desagüe.
- **¿Está abierta la tapa?** La tapa debe estar cerrada durante el funcionamiento. La lavadora no agitará ni exprimirá con la tapa abierta.
- **¿Hay demasiada espuma?** Siempre mida el detergente. Siga las indicaciones del fabricante. Si tiene agua muy suave, quizás necesite menos detergente.

La lavadora continúa llenando o desaguando, el ciclo parece estar atascado

- **¿Está la parte superior de la manguera de desagüe más baja que el nivel de agua en la lavadora?** Para un funcionamiento adecuado, la parte superior de la manguera debe quedar más alta que el nivel del agua en la lavadora. Consulte las Instrucciones de instalación.
- **¿La manguera de desagüe encaja de manera forzada en el tubo vertical o está adherida con cinta al tubo vertical?** La manguera de desagüe debe estar floja pero debe encajar bien. No selle la manguera de desagüe con cinta adhesiva. La manguera necesita una abertura para el flujo de aire. Consulte las Instrucciones de instalación.

La temperatura de lavado/enjuague no es la que yo seleccioné

- **¿Se han invertido las mangueras de entrada del agua caliente y del agua fría?** Para obtener más información, vea las Instrucciones de Instalación. A medida que aumente la frecuencia de lavado de las cargas, es posible que disminuya la temperatura para las selecciones de temperatura de agua caliente y tibia. Esto es normal.

Resultados de la lavadora

Ropa demasiado mojada

- **¿Ha empleado el ciclo correcto para la carga que está lavando?** Seleccione un ciclo con un exprimido más fuerte (si está disponible).
- **¿Ha usado un enjuague con agua fría?** Los enjuagues con agua fría dejan las cargas más mojadas que los enjuagues con agua tibia. Esto es normal.

Residuos o pelusa en la ropa

- **¿Ha separado la ropa adecuadamente?** Separe las prendas que sueltan pelusa (toallas, felpilla) de las que atraen pelusa (pana, artículos sintéticos). También separe por color.
- **¿Ha sobrecargado la lavadora?** La carga de lavado debe estar equilibrada y sin sobrecarga. La ropa debe moverse con libertad. Si la lavadora está sobrecargada, la pelusa puede quedar adherida a las prendas. Lave cargas más pequeñas.
- **¿Ha seleccionado el nivel de agua correcto?** El nivel de agua debe ser el apropiado para el tamaño de la carga. La ropa debe moverse con libertad en el agua.
- **¿Ha usado suficiente detergente?** Siga las indicaciones del fabricante. Use suficiente detergente para mantener la pelusa en el agua.
- **¿Ha secado la ropa en el tendedero?** Si es así, es posible que quede algo de pelusa en la ropa.
- **Verifique lo siguiente:**

¿Se dejó papel o pañuelo de papel en los bolsillos?

¿Está la temperatura del agua por debajo de 60°F (15,6°C)? El agua de lavado con una temperatura inferior a 60°F (15,6°C) quizás no disuelva por completo el detergente.

¿Ha usado el tiempo del ciclo apropiado para la carga? Otra manera de reducir la formación de pelusa es reducir el tiempo (la duración) de lavado.

Manchas en la ropa

- **¿Ha seguido las instrucciones del fabricante cuando agregó el detergente y el suavizante de telas?** Mida el detergente y el suavizante de telas. Use suficiente detergente para quitar la suciedad y mantenerla en suspensión. Diluya el suavizante de telas y agréguelo solamente en la porción de enjuague del ciclo. No deje escurrir el suavizante de tejidos sobre la ropa.
- **¿Hay hierro (óxido) por encima del promedio en el agua?** Tal vez necesite instalar un filtro de óxido ferroso.
- **¿Ha separado la ropa adecuadamente?** Separe las prendas de color oscuro de las blancas y claras.
- **¿Ha descargado la lavadora con rapidez?** Para evitar la transferencia de tintes, descargue la lavadora tan pronto como se detenga.

La ropa está arrugada

- **¿Ha descargado la lavadora con rapidez?** Descargue la lavadora tan pronto como se detenga.
- **¿Ha empleado el ciclo correcto para la carga que está lavando?** Use el ciclo para ropa Informal o de Planchado permanente, u otro ciclo con bajas velocidades de exprimido (si está disponible) para reducir arrugas.

- **¿Ha sobrecargado la lavadora?** La carga de lavado debe estar equilibrada y sin sobrecarga. Las prendas deben moverse con facilidad durante el lavado.

Use una carga de tamaño grande para proporcionar mayor espacio y de esta manera reducir las arrugas en las prendas de planchado permanente y algunos tejidos sintéticos.

- **¿Se han invertido las mangueras del agua caliente y del agua fría?** Cerciórese de que las mangueras del agua caliente y del agua fría estén conectadas a las llaves correctas. Consulte las Instrucciones de instalación.

La ropa está enredada o enroscada

- **¿Ha sobrecargado la lavadora?** La carga de lavado debe estar equilibrada y sin sobrecarga. Las prendas deben moverse con facilidad durante el lavado.
- **¿Ha enrollado las prendas alrededor del agitador?** Ponga los artículos de manera suelta en la lavadora. No enrolle los artículos alrededor del agitador.

Ropa blanca grisácea y colores opacos

- **¿Ha separado la ropa adecuadamente?** Siempre que mezcle ropa blanca y de color en una carga puede ocurrir una transferencia de tintes. Separe las prendas de color oscuro de las blancas y claras.
- **¿Estaba la temperatura del agua demasiado baja?** Para lavar use agua caliente o tibia que no afecte la ropa. Cerciórese de que el sistema de agua caliente sea el adecuado para proveer un lavado con agua caliente.
- **¿Ha usado suficiente detergente, o tiene agua dura?** Use más detergente cuando lave prendas con suciedad rebelde en fría o dura.
- **¿Se han invertido las mangueras del agua caliente y del agua fría?** Cerciórese de que las mangueras del agua caliente y del agua fría estén conectadas a las llaves correctas. Consulte las Instrucciones de instalación.

Prendas dañadas

- **Verifique lo siguiente:**

¿Se han quitado los artículos puntiagudos de los bolsillos antes del lavado? Vacíe los bolsillos, cierre los zípers, los broches de presión y los corchetes antes del lavado.

¿Se ataron los cordones y fajas para evitar que se enreden?

¿Se dañaron las prendas antes del lavado? Remiende lo que esté roto y descosido antes del lavado.

- **¿Ha sobrecargado la lavadora?** La carga de lavado debe estar equilibrada y sin sobrecarga. Las prendas deben moverse con facilidad durante el lavado.
- **¿Ha agregado correctamente el blanqueador con cloro?** No vierta el blanqueador con cloro directamente en la carga. Limpie los derrames del blanqueador. El blanqueador no diluido daña los tejidos. No coloque los artículos sobre el depósito del blanqueador cuando ponga o quite la ropa de la lavadora (en algunos modelos).
- **¿Ha seguido las instrucciones de la etiqueta de cuidado proporcionadas por el fabricante?**

GARANTÍA DE LOS ELECTRODOMÉSTICOS PRINCIPALES DE WHIRLPOOL CORPORATION

GARANTÍA LIMITADA DE UN AÑO

Durante un año a partir de la fecha de compra, siempre y cuando se dé a este electrodoméstico principal un uso y mantenimiento de conformidad con las instrucciones adjuntas o provistas con el producto, Whirlpool Corporation o Whirlpool Canada LP (en lo sucesivo denominado "Whirlpool") se hará cargo del costo de las piezas especificadas de fábrica y del trabajo de reparación para corregir defectos en los materiales o en la mano de obra. El servicio deberá ser suministrado por una compañía de servicio designada por Whirlpool. Esta garantía limitada se aplica sólo cuando el electrodoméstico principal se use en el país en donde se compró.

WHIRLPOOL NO PAGARÁ POR LOS SIGUIENTES ARTÍCULOS

1. Visitas de servicio técnico para corregir la instalación de su electrodoméstico principal, para enseñarle a usar su electrodoméstico principal, para cambiar o reparar fusibles domésticos o para corregir la instalación eléctrica o de la tubería de la casa.
2. Visitas de servicio técnico para reparar o reemplazar focos para electrodomésticos, filtros de aire o filtros de agua. Esos insumos están excluidos de la cobertura de la garantía.
3. Reparaciones cuando su electrodoméstico principal se use de un modo diferente al doméstico normal de una familia.
4. Daños causados por accidente, alteración, uso indebido, abuso, incendio, inundación, actos fortuitos, instalación incorrecta, instalación que no esté de acuerdo con los códigos eléctricos o de plomería, o el empleo de productos no aprobados por Whirlpool.
5. Cualquier pérdida de comida debido a fallas del refrigerador o del congelador.
6. Piezas de repuesto o gastos de reparación para electrodomésticos que se empleen fuera de los Estados Unidos o Canadá.
7. Recogida y entrega. Este electrodoméstico principal está diseñado para ser reparado en el hogar.
8. Reparaciones de piezas o sistemas como resultado de modificaciones no autorizadas que se hayan efectuado en el electrodoméstico.
9. Gastos de viaje y transporte para obtener servicio del producto en lugares remotos.
10. La remoción e instalación de su electrodoméstico si estuviera instalado en un lugar inaccesible o si no estuviera instalado de conformidad con las instrucciones de instalación publicadas.
11. Piezas de repuesto o gastos de reparación cuando el electrodoméstico principal se use en un país diferente del país en donde se compró.

EXCLUSIÓN DE GARANTÍAS IMPLÍCITAS; LIMITACIÓN DE RECURSOS

EL ÚNICO Y EXCLUSIVO RECURSO DEL CLIENTE SEGÚN LOS TÉRMINOS DE ESTA GARANTÍA LIMITADA SERÁ EL DE REPARAR EL PRODUCTO SEGÚN SE ESTIPULA EN LA PRESENTE. LAS GARANTÍAS IMPLÍCITAS, INCLUYENDO LAS GARANTÍAS DE COMERCIABILIDAD O DE CAPACIDAD PARA UN PROPÓSITO PARTICULAR, SERÁN LIMITADAS A UN AÑO O AL PERÍODO MÁS CORTO PERMITIDO POR LEY. WHIRLPOOL NO SE RESPONSABILIZARÁ POR DAÑOS INCIDENTALES O CONSECUENTES. ALGUNOS ESTADOS Y PROVINCIAS NO PERMITEN LAS EXCLUSIONES O LIMITACIONES POR DAÑOS INCIDENTALES O CONSECUENTES, O LIMITACIONES ACERCA DE CUÁNTO DEBE DURAR UNA GARANTÍA IMPLÍCITA DE COMERCIABILIDAD O CAPACIDAD, DE MODO QUE LAS LIMITACIONES O EXCLUSIONES ARRIBA MENCIONADAS PUEDEN NO APLICARSE EN SU CASO. ESTA GARANTÍA LE OTORGA DERECHOS LEGALES ESPECÍFICOS Y ES POSIBLE QUE USTED TENGA TAMBIÉN OTROS DERECHOS QUE PUEDEN VARIAR DE UN ESTADO A OTRO O DE UNA PROVINCIA A OTRA.

Esta garantía no tiene vigor fuera de los cincuenta Estados Unidos y Canadá. Póngase en contacto con el distribuidor autorizado de Whirlpool para determinar si corresponde otra garantía.

Si necesita servicio, consulte primero la sección "Solución de problemas" del Manual de uso y cuidado. Después de consultar la sección "Solución de problemas", puede encontrar ayuda adicional en la sección "Ayuda o servicio técnico", o llamando a Whirlpool. En EE.UU., llame al **1-800-253-1301**. En Canadá, llame al **1-800-807-6777**. 12/05

Refacciones

Si necesita pedir piezas de repuesto, recomendamos que use únicamente piezas especificadas de fábrica FSP®. Estas piezas encajarán y funcionarán bien ya que están fabricadas con la misma precisión empleada en la fabricación de cada electrodoméstico nuevo de WHIRLPOOL®.

Para conseguir las piezas de repuesto FSP® en su localidad:

Llame al Centro de Interacción del Cliente al **1-800-253-1301**, o a su centro de servicio designado más cercano. En Canadá llame al **1-800-807-6777**.

Para obtener información sobre cómo ponerse en contacto con Whirlpool, sírvase ver la portada de este documento.

INSTRUCTIONS D'UTILISATION DE LA LAVEUSE

Assistance ou service

Si vous avez besoin d'assistance ou de service, consultez d'abord la section "Dépannage". On peut obtenir de l'aide supplémentaire en téléphonant au Centre d'interaction avec la clientèle au **1-800-253-1301** de n'importe où aux É.-U., ou en écrivant à :

**Whirlpool Corporation
Customer Interaction Center
553 Benson Road
Benton Harbor, MI 49022-2692**

Au Canada, pour assistance, installation et service, composez le **1-800-807-6777**, ou écrire à :

**Centre d'interaction avec la clientèle
Whirlpool Canada LP
1901 Minnesota Court
Mississauga, Ontario L5N 3A7**

Des informations peuvent également être obtenues en visitant notre site web sur **www.whirlpool.com**.

Au Canada, visitez **www.whirlpool.ca**.

Dans votre correspondance, veuillez indiquer un numéro de téléphone où l'on peut vous joindre dans la journée.

Conservez ce manuel et votre reçu de vente ensemble pour référence ultérieure. Pour le service sous garantie, vous devez présenter un document prouvant la date d'achat ou d'installation.

Inscrivez les renseignements suivants au sujet de votre appareil ménager pour vous aider à obtenir assistance ou service en cas de besoin. Vous devrez connaître le numéro de modèle et le numéro de série au complet. Vous pouvez trouver cette information sur la plaque signalétique située sous le couvercle de la laveuse.

Nom du marchand _____

Numéro de série _____

Adresse _____

Numéro de téléphone _____

Numéro de modèle _____

Date d'achat _____

SÉCURITÉ DE LA LAVEUSE

Votre sécurité et celle des autres est très importante.

Nous donnons de nombreux messages de sécurité importants dans ce manuel et sur votre appareil ménager. Assurez-vous de toujours lire tous les messages de sécurité et de vous y conformer.



Voici le symbole d'alerte de sécurité.

Ce symbole d'alerte de sécurité vous signale les dangers potentiels de décès et de blessures graves à vous et à d'autres.

Tous les messages de sécurité suivront le symbole d'alerte de sécurité et le mot "DANGER" ou "AVERTISSEMENT". Ces mots signifient :

⚠ DANGER

Risque possible de décès ou de blessure grave si vous ne suivez pas immédiatement les instructions.

⚠ AVERTISSEMENT

Risque possible de décès ou de blessure grave si vous ne suivez pas les instructions.

Tous les messages de sécurité vous diront quel est le danger potentiel et vous disent comment réduire le risque de blessure et ce qui peut se produire en cas de non-respect des instructions.

IMPORTANTES INSTRUCTIONS DE SÉCURITÉ

AVERTISSEMENT : Pour réduire les risques d'incendie, de choc électrique ou de blessures lors de l'utilisation de la laveuse, suivre les précautions fondamentales dont les suivantes :

- Lire toutes les instructions avant d'utiliser la laveuse.
- Ne pas laver des articles qui ont été nettoyés ou lavés avec de l'essence ou imbibés d'essence, solvants de nettoyage à sec, ou autres substances inflammables ou explosives; ces substances peuvent émettre des vapeurs susceptibles de s'enflammer ou d'exploser.
- Ne pas ajouter d'essence, solvant de nettoyage à sec ou autre produit inflammable ou explosif dans l'eau de lavage. Ces substances peuvent émettre des vapeurs susceptibles de s'enflammer ou d'exploser.
- Dans certaines conditions, de l'hydrogène gazeux peut se former dans un circuit d'eau chaude qui n'a pas été utilisé pendant 2 semaines ou plus. LE GAZ HYDROGÈNE EST EXPLOSIBLE. Si le circuit d'eau chaude n'a pas été utilisé pendant une telle période, avant d'utiliser la laveuse, ouvrir tous les robinets d'eau chaude et laisser l'eau s'écouler pendant plusieurs minutes par chaque robinet. Ceci permettra l'évacuation de l'hydrogène gazeux accumulé. Comme ce gaz est inflammable, ne pas fumer ou utiliser une flamme nue au cours de cette période.
- Ne pas laisser des enfants jouer sur ou à l'intérieur de la laveuse. Bien surveiller les enfants lorsque la laveuse est utilisée à proximité d'enfants.
- Avant de mettre la laveuse au rebut ou hors de service, enlever la porte ou le couvercle.
- Ne pas tenter d'atteindre un article à l'intérieur de la cuve de la laveuse lorsque le tambour, la cuve ou l'agitateur est en mouvement.
- Ne pas installer ou remiser cette laveuse à un endroit où elle serait exposée aux intempéries.
- Ne pas modifier les organes de commande.
- Ne pas réparer ou remplacer un composant quelconque de la laveuse, ni entreprendre une opération de service, si ce n'est spécifiquement recommandé dans ce manuel ou dans un manuel d'instructions de réparations destiné à l'utilisateur; il est alors essentiel que la personne concernée comprenne ces instructions et soit compétente pour les exécuter.
- Voir "Spécifications électriques" pour les instructions de liaison à la terre.

CONSERVEZ CES INSTRUCTIONS

UTILISATION DE LA LAVEUSE

Mise en marche de la laveuse

⚠ AVERTISSEMENT



Risque d'incendie

Ne jamais mettre des articles humectés d'essence ou d'autres fluides inflammables dans la laveuse.

Aucune laveuse ne peut complètement enlever l'huile.

Ne pas faire sécher des articles qui ont été salis par tout genre d'huile (y compris les huiles de cuisson).

Le non-respect de ces instructions peut causer un décès, une explosion ou un incendie.

⚠ AVERTISSEMENT



Risque de choc électrique

Brancher sur une prise à 3 alvéoles reliée à la terre.

Ne pas enlever la broche de liaison à la terre.

Ne pas utiliser un adaptateur.

Ne pas utiliser un câble de rallonge.

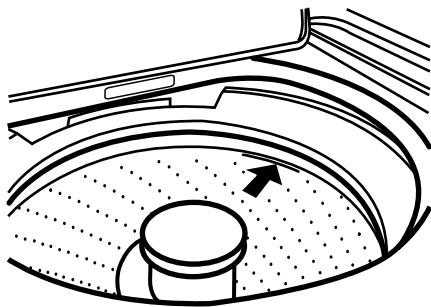
Le non-respect de ces instructions peut causer un décès, un incendie ou un choc électrique.

1. Mesurer la quantité de détergent et le verser dans la laveuse. Si désiré, ajouter un agent de blanchiment en poudre ou liquide sans danger pour les couleurs.

2. Placer une charge de linge trié sans la tasser dans la laveuse.

- Répartir la charge uniformément pour maintenir l'équilibre de la laveuse. Mélanger les gros et les petits articles. Les articles doivent pouvoir se déplacer facilement dans l'eau de lavage.

- Charger uniquement jusqu'en haut du panier - voir l'illustration. Une surcharge peut causer un nettoyage médiocre.

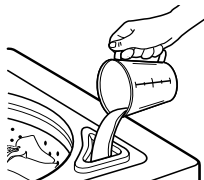


3. (FACULTATIF) Ajouter l'eau de Javel.

REMARQUE : Suivre les instructions du fabricant des vêtements et de l'eau de Javel pour une utilisation en toute sécurité. L'eau de Javel non diluée endommagera tout tissu avec lequel elle entre en contact. L'endommagement prend la forme de déchirures, trous ou affadissement de la couleur et il est possible qu'il n'apparaisse pas avant plusieurs autres lavages. Pour éviter les renversements, utiliser une tasse avec un bec verseur. Ne pas laisser l'eau de Javel éclabousser, se renverser ou couler dans le panier de la laveuse. Toujours mesurer l'eau de Javel. Ne pas utiliser une quantité approximative. Ne jamais utiliser plus que la quantité recommandée par le fabricant pour une charge complète. Utiliser moins d'eau de Javel avec une plus petite charge.

Style 1 : Avec distributeur d'eau de Javel (sur certains modèles)

- Utiliser seulement de l'eau de Javel dans ce distributeur. Ne pas utiliser ce distributeur pour ajouter un agent de blanchiment en poudre ou sans danger pour les couleurs à votre charge de lavage. Verser la quantité mesurée d'eau de Javel dans le distributeur d'eau de Javel. L'eau de Javel est immédiatement introduite dans la laveuse et elle est diluée automatiquement durant l'opération de lavage du programme.



Style 2 : Sans distributeur d'eau de Javel (sur certains modèles)

- Laisser la laveuse se remplir et commencer l'agitation de la charge.
- Ajouter l'eau de Javel 5 minutes après le début du programme de lavage pour un meilleur nettoyage et de telle sorte qu'elle soit vidangée lors du programme de rinçage. Verser l'eau de Javel autour de l'agitateur, pas directement sur la charge pour éviter d'endommager les vêtements ou autres articles de la charge.

4. (FACULTATIF) Ajouter l'assouplissant liquide pour tissu.

REMARQUE : Ne pas renverser ou dégoutter d'assouplissant de tissu sur les vêtements. Un assouplissant de tissu non dilué peut causer des taches sur les tissus. Toujours diluer l'assouplissant de tissu avec de l'eau tiède. Une trop grande quantité d'assouplissant de tissu peut rendre certains articles (couches et serviettes) non absorbants. Le cas échéant, ne pas l'utiliser à chaque charge ou en utiliser moins avec chaque charge.

Style 1 : Avec distributeur d'assouplissant liquide pour tissu (sur certains modèles)

- Utiliser seulement de l'assouplissant de tissu liquide dans ce distributeur. Verser une quantité mesurée de l'assouplissant de tissu liquide dans le distributeur. L'assouplissant est ajouté automatiquement durant l'opération de rinçage du programme. Diluer l'assouplissant de tissu liquide en remplissant le distributeur d'eau tiède jusqu'à ce que le liquide atteigne la marque à l'intérieur de l'anneau. Voir les flèches du repère de remplissage maximum.



Style 2 : Sans distributeur d'assouplissant de tissu liquide (sur certains modèles)

- Ajouter l'assouplissant de tissu dilué avec ½ à 1 tasse (125 à 250 mL) d'eau tiède au rinçage final seulement.
5. Rabattre le couvercle de la laveuse. La laveuse n'effectuera pas d'agitation ni d'essorage avec le couvercle ouvert.
 6. Tourner le sélecteur LOAD SIZE (volume de la charge) ou WATER LEVEL (niveau d'eau) au bon réglage pour votre charge de lavage et le type de tissu à laver.
 - Vous pouvez changer votre sélection de la taille de charge ou de niveau d'eau après que la laveuse a commencé à se remplir en tournant le bouton de sélection à un réglage différent.
 - Sur les modèles à commande variable de la taille de la charge ou du niveau d'eau, vous devez tourner le bouton à RESET (Remise en marche), puis au réglage désiré.
 7. Sélectionner la température de lavage en fonction du type de tissu et de la saleté à laver. Utiliser l'eau de lavage la plus chaude sans danger pour le tissu. Suivre les instructions sur l'étiquette des vêtements.

La Commande automatique de la température (CAT) (sur certains modèles) détecte et maintient électroniquement une température uniforme de l'eau en régulant l'entrée d'eau chaude et d'eau froide.

- Même dans un lavage à froid, de l'eau tiède entre dans la laveuse pour maintenir une température minimum d'environ 70°F (21°C).

L'option Care Control Temps (températures de la commande de soin) (sur certains modèles) utilise la Commande automatique de température (CAT) pour détecter et maintenir électroniquement une température uniforme de l'eau en régulant l'entrée d'eau chaude et d'eau froide. L'option Care Control Temps (températures de la commande de soin) fournit des températures de lavage supérieures pour les programmes de service intense plus agressifs et des températures légèrement plus basses pour les programmes d'articles délicats et à laver à la main, pour apporter un meilleur soin au tissu.

Guide de température

Température de lavage	Tissus suggérés
Hot (chaude) Commande de soin	Blancs et couleurs claires Vêtements durables Saleté intense
Warm (tiède) Commande de soin	Couleurs vives Saletés modérées à légères
Cool (fraîche)	Couleurs qui déteignent ou s'atténuent Saletés légères
Cold (froide)	Couleurs foncées qui déteignent ou s'atténuent Saletés légères

REMARQUE : Dans les températures d'eau de lavage inférieures à 60°F (15,6°C), les détergents ne se dissolvent pas bien. Les saletés peuvent être difficiles à enlever. Certains tissus peuvent retenir les faux plis et comporter un boulochage accru (formation de petites boules de charpie sur la surface des vêtements).

8. Vous pouvez personnaliser votre lavage en ajoutant des options de rinçage à vos sélections de programme. Ce bouton dispose de réglages pour :
- Extra Rinse (rinçage supplémentaire) - La sélection de cette option fournit un second rinçage. Un rinçage supplémentaire peut être ajouté à tout programme de lavage.
 - Cycle Signal (signal de programme) - Un signal sonore sera émis à la fin du programme. Le volume du signal sonore ne peut être ajusté.

- Extra Rinse & Cycle Signal (rinçage supplémentaire et signal de programme) - Cette option combine à la fois le rinçage supplémentaire et le signal de programme à la fin du programme de lavage.

9. Fabric Select (choix de tissu) (sur certains modèles). Chaque réglage de tissu est conçu pour différents types de tissu et niveaux de saleté.

Le système Fabric Sense™ (détecteur de type de tissu) (sur certains modèles) est un ensemble intégré de commandes qui fonctionnent en même temps pour fournir des températures de lavage, durées d'agitation, et vitesses d'agitation/d'essorage optimales en fonction du type de tissu sélectionné. Les commandes fournissent des températures de lavage supérieures pour les programmes de service intense plus agressifs et des températures légèrement plus basses pour les programmes d'articles délicats et à laver à la main, pour apporter un meilleur soin au tissu. Le bouton de commande de la minuterie vous permet de réduire la durée d'agitation pour les charges peu sales ou de l'augmenter pour les charges très sales.

10. Appuyer sur le bouton de commande de la minuterie et le tourner dans le sens horaire au programme de lavage désiré. Réduire le temps de lavage lors de l'utilisation d'un réglage de niveau d'eau bas. Tirer sur le bouton de commande de la minuterie pour mettre la laveuse en marche.



Arrêt ou remise en marche de la laveuse :

- Pour arrêter la laveuse à tout moment, appuyer sur le bouton de commande de la minuterie.
- Pour remettre la laveuse en marche, rabattre le couvercle (si ouvert) et tirer sur le bouton de commande de la minuterie.

ENTRETIEN DE LA LAVEUSE

Nettoyage de votre laveuse

Utiliser un linge doux, humide ou une éponge pour essuyer les renversements de détergents ou d'eau de Javel à l'extérieur de votre laveuse.

Nettoyer l'intérieur de votre laveuse en mélangeant 1 tasse (250 mL) d'eau de Javel et 2 tasses (500 mL) de détergent. Verser ceci dans votre laveuse et lui faire faire un programme complet à l'eau chaude. Répéter ce processus au besoin.

Enlever tous les résidus d'eau dure en utilisant seulement des nettoyants sans danger pour la laveuse.

Nettoyage du distributeur d'assouplissant de tissu liquide (sur certains modèles) :

1. Retirer le distributeur en prenant le dessus à deux mains et en le pressant, tout en poussant vers le haut avec les pouces.
2. Rincer le distributeur sous l'eau tiède, puis le remettre en place.

REMARQUE : Si votre modèle dispose d'un distributeur d'assouplissant liquide pour tissu, ne pas laver de vêtements lorsque ce distributeur est retiré, afin d'éviter d'endommager la laveuse ou le linge. Ne pas non plus ajouter de détergent ou d'eau de Javel dans ce distributeur; il est destiné à l'assouplissant liquide pour tissu seulement.

Robinetts d'arrivée d'eau

Remplacer les tuyaux d'arrivée d'eau après 5 ans d'utilisation pour réduire le risque de défaillance intempestive. Inspecter périodiquement les tuyaux; les remplacer en cas de renflement, de déformation, de coupure et d'usure ou si une fuite se manifeste.

Lorsque vous remplacez vos tuyaux d'arrivée d'eau, noter la date de remplacement au marqueur indélébile sur l'étiquette.

Préparation avant un entreposage ou un déménagement

L'eau qui peut rester dans les tuyaux risque d'abîmer votre laveuse en temps de gel. Si vous rangez ou déplacez votre laveuse quand il gèle, préparez-la pour l'hiver.

Préparation de votre laveuse pour l'hiver

1. Fermer les deux robinets d'eau. Débrancher et vidanger les tuyaux d'arrivée d'eau. Mettre 1 pinte (1 L) d'antigel pour automobiles dans le panier.
2. Faire tourner la laveuse au réglage vidange et essorage pendant 30 secondes environ pour mélanger l'antigel à l'eau.
3. Débrancher la laveuse ou déconnecter la source de courant électrique.

Remise en marche de la laveuse

1. Vidanger les canalisations d'eau et les tuyaux. Reconnecter les tuyaux d'arrivée d'eau. Ouvrir les deux robinets d'eau.

⚠ AVERTISSEMENT



Risque de choc électrique

Brancher sur une prise à 3 alvéoles reliée à la terre.

Ne pas enlever la broche de liaison à la terre.

Ne pas utiliser un adaptateur.

Ne pas utiliser un câble de rallonge.

Le non-respect de ces instructions peut causer un décès, un incendie ou un choc électrique.

2. Brancher la laveuse ou reconnecter la source de courant électrique.
3. Faire faire un programme complet à la laveuse avec 1 tasse (250 mL) de détergent pour enlever les restes d'antigel.

Entretien en cas d'entreposage, de non-utilisation ou en période de vacances

On ne doit faire fonctionner la laveuse que lorsqu'on est présent. Si l'utilisateur doit partir en vacances ou n'utilise pas la laveuse pendant une période prolongée, il convient d'exécuter les opérations suivantes :

1. Débrancher la laveuse ou déconnecter la source de courant électrique.
2. Fermer l'alimentation d'eau de la laveuse. Ceci aide à éviter les inondations accidentelles (dus à une augmentation de la pression) quand vous êtes absent.

DÉPANNAGE

Essayer d'abord les solutions suggérées ici, ce qui vous évitera peut-être le coût d'une visite de service...

La laveuse et ses composants

La laveuse fait du bruit

- **La charge est-elle équilibrée et la laveuse d'aplomb?** La charge de lavage devrait être équilibrée et pas surchargée. La laveuse doit être d'aplomb. Les pieds avant devraient être correctement installés et les écrous serrés. Régler les pieds de nivellement arrière (au besoin). Voir les instructions d'installation.
- **Avez-vous retiré complètement la sangle jaune d'expédition avec les goupilles fendues?** Voir les instructions d'installation.
- **Les mécanismes s'enclenchent-ils après la vidange et avant l'essorage, ou la partie supérieure de l'agitateur fait-elle du bruit pendant le lavage?** Ce sont des bruits normaux pour la laveuse.

Fuites d'eau de la laveuse

- **Vérifier ce qui suit :**
 - Les tuyaux de remplissage sont-ils bien serrés?
 - Les rondelles de tuyaux de remplissage d'eau sont-elles correctement installées?
 - La bride de fixation du tuyau de vidange est-elle correctement installée? Voir les instructions d'installation.
- **L'évier ou le conduit d'évacuation est-il obstrué?** L'évier et le tuyau de rejet à l'égout doivent pouvoir drainer 17 gal. (64 L) d'eau par minute.

- **De l'eau est-elle déviée de l'anneau de la cuve ou de la charge?** Centrer la cuve avant de mettre la laveuse en marche. La charge de lavage devrait être équilibrée et pas surchargée. De l'eau de rinçage ou de remplissage peut dévier de la charge. La laveuse doit être d'aplomb. Les pieds avant devraient être correctement installés et les écrous serrés. Régler les pieds de nivellement arrière (au besoin). Voir les instructions d'installation.
- **Vérifier la plomberie du domicile pour voir s'il y a des fuites.**

Le panier de la laveuse est décentré

- **Le panier de la laveuse a-t-il été tiré en avant lors du chargement?** Pousser le panier au centre avant de commencer le lavage.
- **La charge est-elle équilibrée et la laveuse d'aplomb?** La charge de lavage devrait être équilibrée et pas surchargée. La laveuse doit être d'aplomb. Les pieds avant devraient être correctement installés et les écrous serrés. Régler les pieds de nivellement arrière (au besoin). Voir les instructions d'installation.
- **Le panier de la laveuse se déplace pendant le lavage.** Ceci est normal.

Fonctionnement de l'agitateur

- **Le sommet de l'agitateur est lâche, ou se déplace dans une seule direction.** Ceci est normal.

Distributeurs obstrués ou fuite d'eau de Javel

- **Avez-vous suivi les directives du fabricant pour l'addition de détergent et d'assouplissant dans les distributeurs (sur certains modèles)?** Mesurer le détergent et l'assouplissant. Verser lentement dans les distributeurs. Essuyer tout renversement. Diluer l'assouplissant dans le distributeur d'assouplissant.
- **Avez-vous mis de la Javel en poudre ou sans danger pour les couleurs dans le distributeur d'agent de blanchiment au chlore liquide (sur certains modèles)?** Ajouter de la Javel en poudre ou liquide sans danger pour les couleurs directement dans le panier. Ne pas utiliser le distributeur d'agent de blanchiment au chlore pour la Javel sans danger pour les couleurs.

Fonctionnement de la laveuse

La laveuse ne fonctionne pas, ne se remplit pas, ne rince pas, l'agitateur ne tourne pas; la laveuse s'arrête

AVERTISSEMENT



Risque de choc électrique

Brancher sur une prise à 3 alvéoles reliée à la terre.

Ne pas enlever la broche de liaison à la terre.

Ne pas utiliser un adaptateur.

Ne pas utiliser un câble de rallonge.

Le non-respect de ces instructions peut causer un décès, un incendie ou un choc électrique.

- **Le cordon d'alimentation est-il branché dans une prise à 3 alvéoles reliée à la terre?** Brancher le cordon d'alimentation dans une prise à 3 alvéoles reliée à la terre.
- **Utilisez-vous un câble de rallonge?** Ne pas utiliser un câble de rallonge.
- **L'indicateur sur le bouton de commande de la minuterie est-il correctement aligné avec un programme?** Tourner le bouton de commande de la minuterie légèrement vers la droite et le tirer pour mettre en marche.
- **Les tamis de la valve d'arrivée d'eau sont-ils obstrués?** Couper l'arrivée d'eau et retirer les tuyaux d'arrivée d'eau de la laveuse. Ôter toute pellicule ou particule accumulée. Réinstaller les tuyaux, ouvrir l'arrivée d'eau et vérifier s'il y a des fuites.
- **Les deux robinets d'eau (chaude et froide) sont-ils ouverts?** Ouvrir les robinets d'eau.
- **Le tuyau d'arrivée d'eau est-il déformé?** Redresser les tuyaux.
- **Le niveau d'eau semble-t-il trop bas, ou la laveuse ne se remplit-elle pas complètement?** Le sommet de l'agitateur est beaucoup plus haut que le niveau d'eau le plus élevé. Ceci est normal et nécessaire au libre mouvement des vêtements.
- **Un fusible est-il grillé ou le disjoncteur s'est-il déclenché?** Remplacer le fusible ou réenclencher le disjoncteur. Si le problème persiste, appeler un électricien.

- **La laveuse est-elle en pause normale du programme?** La laveuse fait une pause d'environ 2 minutes dans certains programmes. Laisser le programme se poursuivre. Certains programmes comprennent des périodes d'agitation et de trempage.
- **La laveuse est-elle surchargée?** Laver des charges plus petites.
- **Le couvercle est-il ouvert?** Le couvercle doit être fermé lorsque la laveuse est en marche. La laveuse n'effectuera pas d'agitation ni d'essorage avec le couvercle ouvert.

Absence de vidange ou d'essorage de la laveuse

- **Le tuyau de vidange est-il obstrué, ou l'extrémité du tuyau de vidange se trouve-t-elle à plus de 96" (244 cm) au-dessus du plancher?** Voir les instructions d'installation pour une installation correcte du tuyau de vidange.
- **Le couvercle est-il ouvert?** Le couvercle doit être fermé lorsque la laveuse est en marche. La laveuse n'effectuera pas d'agitation ni d'essorage avec le couvercle ouvert.
- **Y a-t-il un excès de mousse?** Toujours mesurer le détergent. Suivre les directives du fabricant. Si vous avez de l'eau très douce, il faudra peut-être utiliser moins de détergent.

La laveuse continue de se remplir ou la vidange se poursuit, le programme semble bloqué

- **Le dessus du tuyau de vidange est-il plus bas que le niveau de l'eau dans la laveuse?** Le dessus du tuyau doit être plus haut que le niveau de l'eau dans la laveuse pour un bon fonctionnement. Voir les instructions d'installation.
- **Le tuyau de vidange est-il trop serré dans le tuyau de rejet à l'égout, ou est-il fixé au tuyau de rejet à l'égout avec du ruban adhésif?** Le tuyau de vidange devrait être lâche mais bien fixé. Ne pas sceller le tuyau de vidange avec du ruban adhésif. Le tuyau a besoin d'une ouverture pour l'air. Voir les instructions d'installation.

La température de lavage/rinçage n'est pas celle qui a été sélectionnée

- **Les robinets d'arrivée d'eau chaude et froide ont-ils été inversés?** Voir les instructions d'installation pour plus de renseignements. Lorsque votre fréquence de charges lavées augmente, la température de l'eau peut baisser lorsqu'on choisit une température chaude ou tiède. Ceci est normal.

Résultats de lavage

Charge trop mouillée

- **Avez-vous utilisé le bon programme pour la charge à laver?** Choisir un programme avec une vitesse d'essorage plus élevée (si disponible).
- **Avez-vous utilisé un rinçage à froid?** Les charges sont plus humides après un rinçage à froid qu'après un rinçage à chaud. Ceci est normal.

Résidus ou charpie sur le linge

- **Avez-vous effectué le tri correctement?** Séparer les articles causant la charpie (serviettes, chenille) des articles qui retiennent la charpie (velours côtelé, synthétiques). Trier également en fonction des couleurs.
- **Avez-vous surchargé la laveuse?** La charge de lavage doit être équilibrée et pas surchargée. Les charges doivent pouvoir culbuter librement. De la charpie peut être coincée dans la charge s'il y a surcharge. Laver des charges plus petites.
- **Avez-vous sélectionné le bon niveau d'eau?** Le niveau d'eau devrait être approprié à la taille de la charge. Les vêtements devraient pouvoir culbuter librement dans l'eau.
- **Avez-vous utilisé suffisamment de détergent?** Suivre les directives du fabricant. Utiliser suffisamment de détergent pour maintenir la charpie dans l'eau.
- **Avez-vous fait sécher vos vêtements sur un fil à linge?** Si c'est le cas, attendez-vous à trouver de la charpie sur les vêtements.
- **Vérifier ce qui suit :**

A-t-on laissé du papier ou des mouchoirs en papier dans les poches?

Votre eau est-elle plus froide que 60°F (15,6°C)? Une eau de lavage plus froide que 60°F (15,6°C) peut ne pas dissoudre complètement le détergent.

Avez-vous utilisé la bonne durée de programme pour la charge? La réduction de la durée de lavage est un autre moyen de réduire la charpie.

Présence de taches sur le linge

- **Avez-vous suivi les directives du fabricant pour l'addition de détergent et d'assouplissant?** Mesurer le détergent et l'assouplissant. Utiliser suffisamment de détergent pour enlever la saleté et la maintenir en suspension. Diluer l'assouplissant et l'ajouter à la section rinçage d'un programme seulement. Ne pas laisser couler d'assouplissant sur les vêtements.
- **La présence de fer (rouille) dans l'eau est-elle supérieure à la moyenne?** Vous aurez peut-être besoin d'installer un filtre à fer.
- **Avez-vous bien trié la charge?** Séparer les articles de teinte foncée des articles blancs ou clairs.
- **Avez-vous déchargé la laveuse immédiatement?** Pour éviter le transfert de teinture, décharger la laveuse dès qu'elle s'arrête.

Linge froissé

- **Avez-vous déchargé la laveuse immédiatement?** Décharger la laveuse dès qu'elle s'arrête.
- **Avez-vous utilisé le bon programme pour la charge à laver?** Utiliser le programme Casual (tout-aller) ou Permanent Press (pressage permanent) ou un autre programme avec une vitesse d'essorage basse (si disponible) pour réduire le froissement.
- **Avez-vous surchargé la laveuse?** La charge de lavage doit être équilibrée et pas surchargée. Les charges doivent pouvoir culbuter librement durant le lavage.

Pour réduire les faux plis des vêtements à pressage permanent et de certains tricotés synthétiques, utiliser une taille de charge importante pour avoir plus d'espace.
- **Les robinets d'eau chaude et froide ont-ils été inversés?** Vérifier que les tuyaux d'eau chaude et d'eau froide sont connectés aux bons robinets. Voir les instructions d'installation.

Le linge est enchevêtré ou entortillé

- **Avez-vous surchargé la laveuse?** La charge de lavage doit être équilibrée et pas surchargée. Les charges doivent pouvoir culbuter librement durant le lavage.
- **Avez-vous placé des articles autour de l'agitateur?** Déposer les articles dans la laveuse sans les comprimer. Ne pas enrouler des articles autour de l'agitateur.

Blanc grisâtre, couleurs défraîchies

- **Avez-vous bien trié la charge?** Le transfert de teinture peut se produire lors du mélange d'articles blancs et de couleur dans une même charge. Séparer les articles de teinte foncée des articles blancs ou clairs.
- **La température de lavage était-elle trop basse?** Utiliser les lavages à l'eau tiède ou chaude, si sans danger pour la charge. S'assurer que votre système d'eau chaude permet d'effectuer un lavage à l'eau chaude.
- **Avez-vous utilisé suffisamment de détergent, ou avez-vous une eau dure?** Utiliser plus de détergent pour laver la saleté intense à l'eau froide ou dure.
- **Les robinets d'eau chaude et froide ont-ils été inversés?** Vérifier que les tuyaux d'eau chaude et d'eau froide sont connectés aux bons robinets. Voir les instructions d'installation.

Endommagement des vêtements

- **Vérifier ce qui suit :**

Les articles pointus ont-ils été retirés des poches avant le lavage? Vider les poches, fermer les fermetures à glissière, les boutons pression et les agrafes avant le lavage.

Les cordons et les ceintures ont-ils été attachés pour empêcher l'emmêlement?

Les articles étaient-ils endommagés avant le lavage? Raccorder les déchirures et repriser les fils cassés des coutures avant le lavage.
- **Avez-vous surchargé la laveuse?** La charge de lavage doit être équilibrée et pas surchargée. Les charges doivent pouvoir culbuter librement durant le lavage.
- **Avez-vous correctement ajouté l'eau de Javel?** Ne pas verser l'eau de Javel directement sur le linge. Essuyer tous les renversements de Javel. De l'eau de Javel non diluée endommagera les tissus. Ne pas placer des articles de la charge sur le dessus du distributeur d'eau de Javel lorsque vous chargez et déchargez la laveuse (sur certains modèles).
- **Avez-vous suivi les instructions d'entretien du fabricant indiquées sur l'étiquette?**

GARANTIE DES GROS APPAREILS MÉNAGERS WHIRLPOOL CORPORATION

GARANTIE LIMITÉE DE UN AN

Pendant un an à compter de la date d'achat, lorsque ce gros appareil ménager est utilisé et entretenu conformément aux instructions jointes à ou fournies avec le produit, Whirlpool Corporation ou Whirlpool Canada LP (ci-après désignées "Whirlpool") paiera pour les pièces spécifiées par l'usine et la main-d'œuvre pour corriger les vices de matériaux ou de fabrication. Le service doit être fourni par une compagnie de service désignée par Whirlpool. Cette garantie limitée s'applique exclusivement lorsque l'appareil est utilisé dans le pays où il a été acheté.

WHIRLPOOL NE PRENDRA PAS EN CHARGE

1. Les visites de service pour rectifier l'installation du gros appareil ménager, montrer à l'utilisateur comment utiliser l'appareil, remplacer ou réparer des fusibles ou rectifier le câblage ou la plomberie du domicile.
2. Les visites de service pour réparer ou remplacer les ampoules électriques de l'appareil, les filtres à air ou les filtres à eau. Ces pièces consommables ne sont pas couvertes par la garantie.
3. Les réparations lorsque le gros appareil ménager est utilisé à des fins autres que l'usage unifamilial normal.
4. Les dommages imputables à : accident, modification, usage impropre ou abusif, incendie, inondation, actes de Dieu, installation fautive ou installation non conforme aux codes d'électricité ou de plomberie, ou l'utilisation de produits non approuvés par Whirlpool.
5. Toute perte d'aliments due à une défaillance du réfrigérateur ou du congélateur.
6. Le coût des pièces de rechange et de la main-d'œuvre pour les appareils utilisés hors des États-Unis ou du Canada.
7. Le ramassage et la livraison. Ce gros appareil ménager est conçu pour être réparé à domicile.
8. Les réparations aux pièces ou systèmes résultant d'une modification non autorisée faite à l'appareil.
9. Les frais de transport pour le service d'un produit dans les régions éloignées.
10. La dépose et la réinstallation de votre appareil si celui-ci est installé dans un endroit inaccessible ou n'est pas installé conformément aux instructions d'installation fournies.
11. Le coût des pièces de rechange et de la main-d'œuvre lorsque l'appareil est utilisé dans un pays autre que le pays où il a été acheté.

CLAUSE D'EXONÉRATION DE RESPONSABILITÉ AU TITRE DES GARANTIES IMPLICITES; LIMITATION DES RECOURS

LE SEUL ET EXCLUSIF RECOURS DU CLIENT DANS LE CADRE DE LA PRÉSENTE GARANTIE LIMITÉE CONSISTE EN LA RÉPARATION PRÉVUE CI-DESSUS. LES GARANTIES IMPLICITES, Y COMPRIS LES GARANTIES APPLICABLES DE QUALITÉ MARCHANDE ET D'APTITUDE À UN USAGE PARTICULIER, SONT LIMITÉES À UN AN OU À LA PLUS COURTE PÉRIODE AUTORISÉE PAR LA LOI. WHIRLPOOL N'ASSUME AUCUNE RESPONSABILITÉ POUR LES DOMMAGES FORTUITS OU INDIRECTS. CERTAINES JURIDICTIONS NE PERMETTENT PAS L'EXCLUSION OU LA LIMITATION DES DOMMAGES FORTUITS OU INDIRECTS, OU LES LIMITATIONS DE LA DURÉE DES GARANTIES IMPLICITES DE QUALITÉ MARCHANDE OU D'APTITUDE À UN USAGE PARTICULIER, DE SORTE QUE CES EXCLUSIONS OU LIMITATIONS PEUVENT NE PAS S'APPLIQUER DANS VOTRE CAS. CETTE GARANTIE VOUS CONFÈRE DES DROITS JURIDIQUES SPÉCIFIQUES ET VOUS POUVEZ ÉGALEMENT JOUIR D'AUTRES DROITS QUI PEUVENT VARIER D'UNE JURIDICTION À UNE AUTRE.

À l'extérieur du Canada et des 50 États des États-Unis, cette garantie ne s'applique pas. Contacter votre marchand Whirlpool autorisé pour déterminer si une autre garantie s'applique.

Si vous avez besoin de service, voir d'abord la section "Dépannage" du Guide d'utilisation et d'entretien. Après avoir vérifié la section "Dépannage", de l'aide supplémentaire peut être trouvée en vérifiant la section "Assistance ou service" ou en appelant Whirlpool. Aux É.-U., composer le **1-800-253-1301**. Au Canada, composer le **1-800-807-6777**. 12/05

Pièces de rechange

Si vous avez besoin de commander des pièces de rechange, nous vous recommandons d'utiliser seulement les pièces FSP® spécifiées par l'usine. Ces pièces conviendront et bien parce qu'elles sont fabriquées selon les mêmes spécifications précises utilisées pour fabriquer chaque nouvel appareil WHIRLPOOL®.

Pour localiser des pièces de rechange FSP® dans votre région :

Téléphoner au Centre d'interaction avec la clientèle au **1-800-253-1301**, ou à votre centre de service désigné le plus proche. Au Canada composez le **1-800-807-6777**.

Pour des renseignements sur la façon de contacter Whirlpool, veuillez consulter la première page de ce document.



3955884

© 2006 Whirlpool Corporation.
All rights reserved.

Todos los derechos reservados.
Tous droits réservés.

® Registered Trademark/TM Trademark of Whirlpool, U.S.A., Whirlpool Canada LP licensee in Canada
® Marca registrada/TM Marca de comercio de Whirlpool, U.S.A., usada bajo licencia en Canadá de Whirlpool Canada LP
® Marque déposée/TM Marque de commerce de Whirlpool, U.S.A., Emploi licencié par Whirlpool Canada LP au Canada

3/06
Printed in U.S.A.
Impreso en EE.UU.
Imprimé aux É.-U.