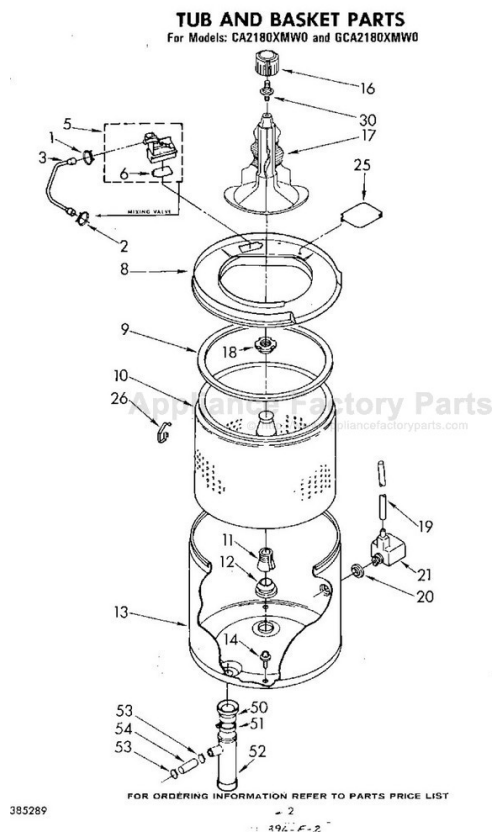


# WHIRLPOOL GCA2180XMW0 Owner's Manual

[Shop genuine replacement parts for WHIRLPOOL  
GCA2180XMW0](#)



[Find Your WHIRLPOOL Washer Parts - Select From 4132 Models](#)

----- Manual continues below -----

# INSTALLATION INSTRUCTIONS

## for



# COMMERCIAL AUTOMATIC WASHERS

## Before you begin, be sure of . . .

### Electrical Requirements . . .

OBSERVE ALL GOVERNING CODES AND ORDINANCES

A 120 Volt, 60 Hz, AC only, 15 Amp fused electrical supply is required (time delay fuse or circuit breaker is recommended). It is recommended that a separate circuit serving only this appliance be provided.

DO NOT use an extension cord.

### Proper Plumbing . . .

It is essential to have threaded faucets on hot and cold water outlets within 4 feet of the water inlets on back of washer. Provide a standpipe with a minimum diameter of 2 inches.

**Note:** Any suitably trapped drain having a minimum carry-away capacity of 17 gallons per minute will meet the requirements of the washer.

### Proper Drainage . . .

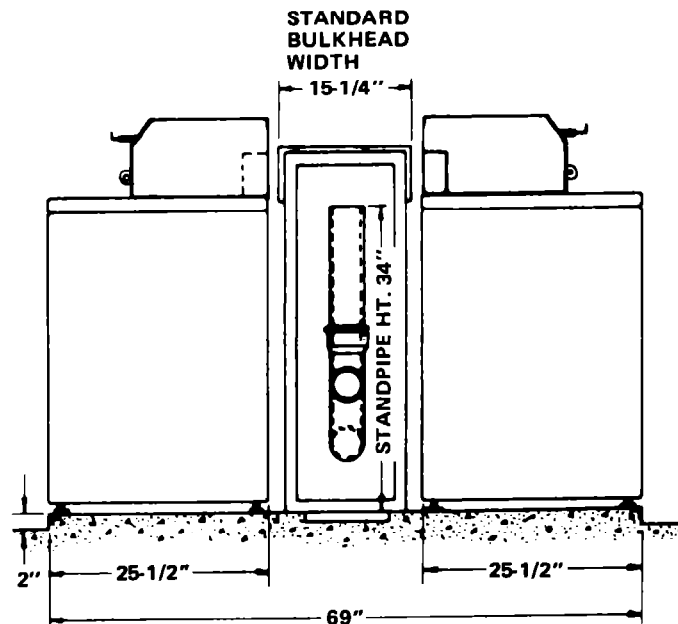
The drain hose must discharge into standpipe at a minimum height (from base of the washer) of 34" and a maximum height of 72". It is recommended that the washers be installed on a concrete pad 2" above floor level. The overall width of a pad in a typical installation is 69". A floor drain should be provided under the bulkhead. Prefabricated bulkheads with electrical outlets, water supply lines, and drain facilities should be used only for installations where codes permit.

### Proper Water Pressure . . .

A minimum pressure of 10 PSI and maximum pressure of 100 PSI-dynamic is recommended for proper operation. A pressure reduction valve should be used in the supply line where inlet pressure entering the building exceeds 100 PSI to prevent damage to the machine mixing valve. If pressures are below 10 PSI-dynamic, long fill time will be evident.

### Proper Hot Water Temperatures . . .

For best washing, your water heater should provide water to the washer at 140° to 160° Fahrenheit.



### Note: Flush Out Water Supply Lines . . .

Before installation, both hot and cold water supply lines should be flushed out to prevent sediment in lines from clogging screens in washer water valve. This is especially important in new construction.

## Now you are ready to begin . . .

The necessary installation parts are packed inside washer basket . . . two inlet hoses, one drain hose, two front leveling feet, two rear leveling legs, two hose clamps, two filter screens, four standard hose washers, and one ground wire assembly.

**Proper tools . . .** no special tools are needed in most installations; all you need are such common tools as a screwdriver, pliers, and adjustable end wrench.

# Just follow these instructions step by step . . .

## 1. Remove Shipping Accessories

**CAUTION:** Do not grasp console to move appliance.

After removing installation parts from the washer basket, re-tape the washer lid to prevent damage. Lay the washer on its back, using two packing carton corner supports for protection. Remove the foam plastic shipping block (3A) in the upper left hand corner. (See Figure 1 and 4.)

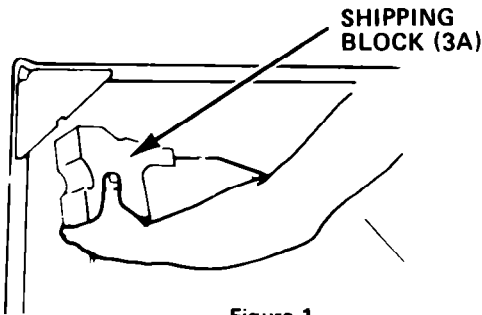


Figure 1

## 2. Rear Leg Assembly

The two rear legs are self-leveling. First remove the rear legs from the parts bag.

Take one of the rear leveling legs and align the flat portion of the leg so that it will fit into the hole in the lower channel of the leveling leg mechanism. See Figure 2A.

Push up on the leveling leg until it snaps in place. See Figure 2B.

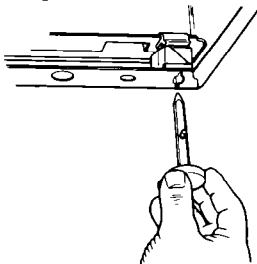


Figure 2A

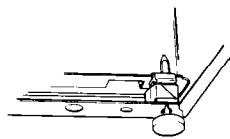


Figure 2B

Repeat the previous steps with the remaining rear leveling leg. Then push up on one of the rear leveling legs. The other leg should go down. Next, push up on the leg that is down. This leg should move up and the one that was up should move down. If the leveling legs are not working properly, recheck to make sure you have followed the instructions.

## 3. Front Leg Assembly (See Figure 3.)

By hand, turn each of the front leveling legs half way (up to the diamond marking on the threads) into the front cabinet gussets. Liquid detergent can be used to reduce the force needed to turn the legs into the gussets. Some legs may require the use of a suitable hand tool for installation. **Note:** Do not use oil or grease.

Now stand washer upright.

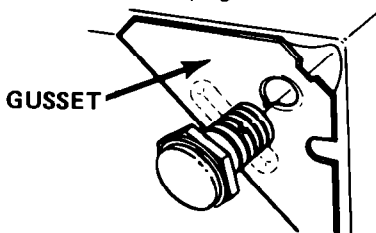


Figure 3

## 4. Shipping Accessory Removal . . . Rear of appliance (See Figure 4.)

Remove the rear service panel (1) . . . first remove two screws at the bottom of the panel, then swing the panel up and toward you. Now remove the shipping blocks between the base plate and cabinet, inside the left and right rear corners of the washer, by removing the screws, washers and plastic spools (2). These assemblies are for protection of the washer during shipping. (See Figure 5.) Push base plate forward and remove the foam plastic block in the left corner (3B). (See Figure 6.) Save all shipping accessories in the event the washer may be moved to another location.

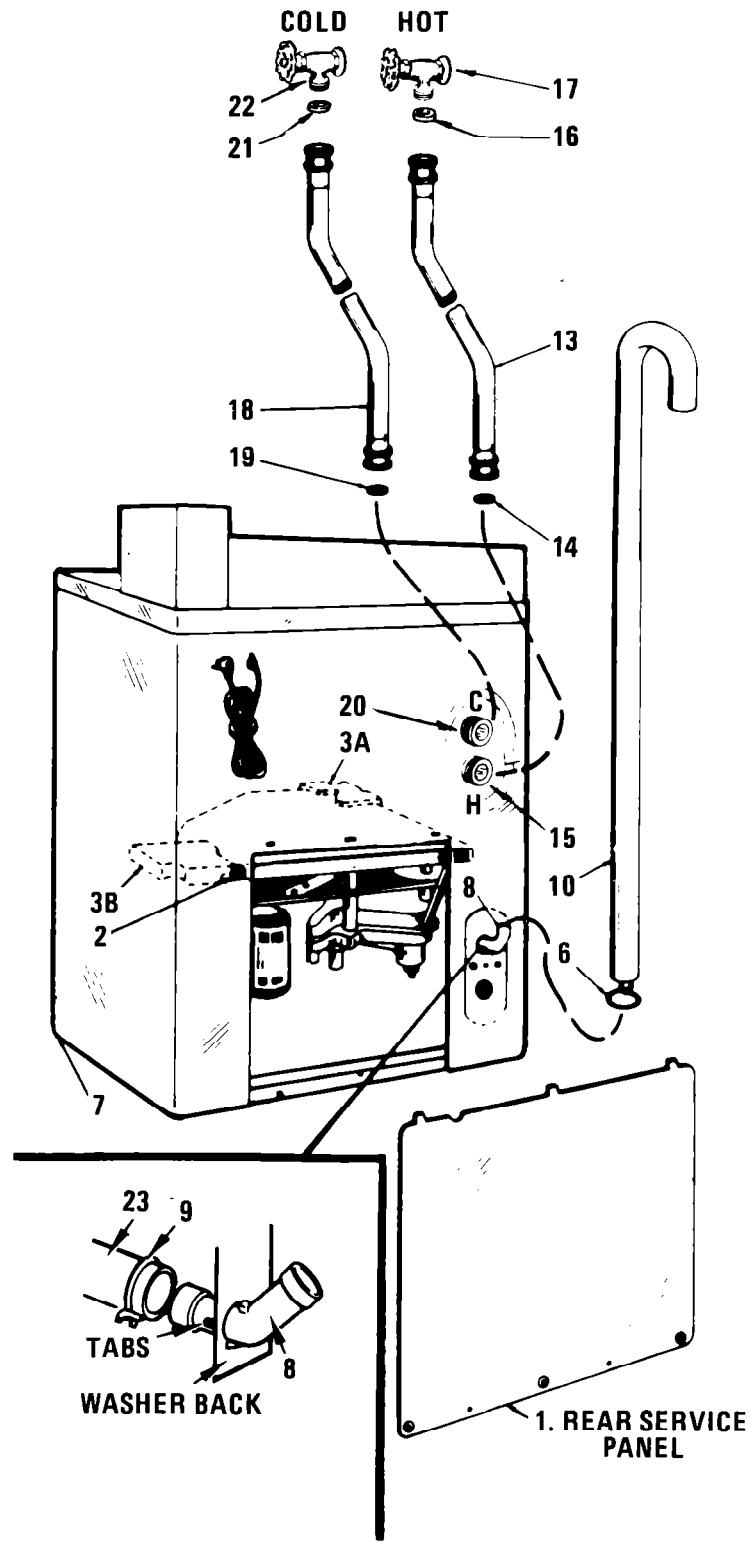


Figure 4

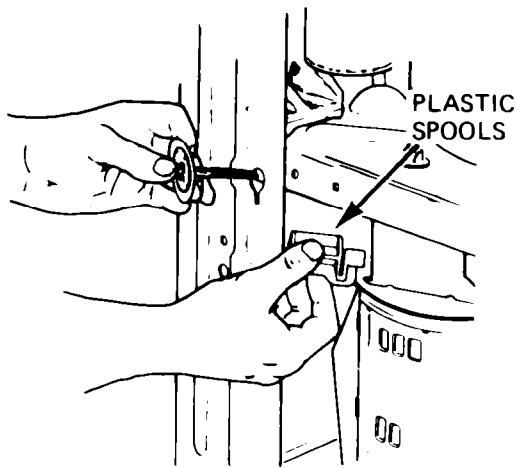


Figure 5

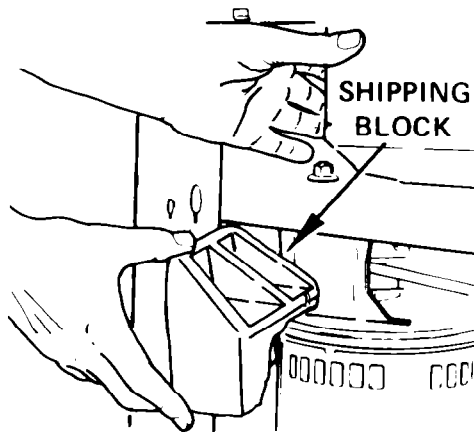


Figure 6

### 5. Drain Hose Assembly (See Figure 4 & 7)

From the inside, place plain end (no tabs) of the angle connector (8) through the lower hole in cabinet and snap in place. Position the angle connector from outside to face the standpipe. (See Figure 7.) Next, place the smaller hose clamp (9) on the internal drain hose (23). Remove plug from inside hose, then place the hose on the angle connector. Secure with hose clamp. Place the larger hose clamp (6) on the discharge hose (10) and place on the angle connector. (See Figure 4 & 8)

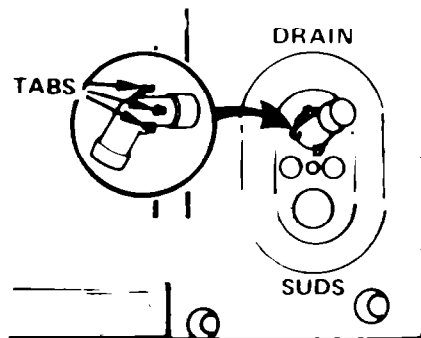


Figure 7

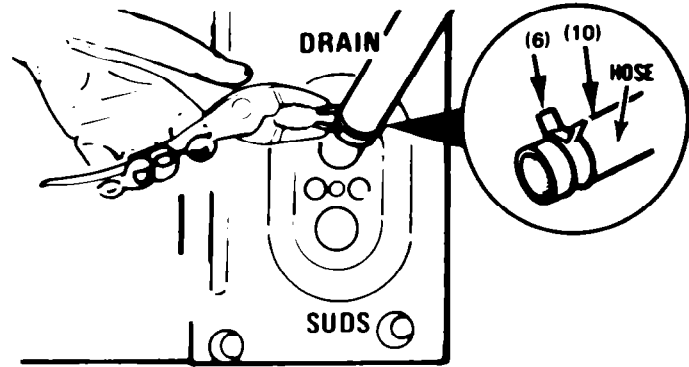


Figure 8

If necessary, shorten discharge hose (10) by cutting to fit installation. Avoid stretching or kinking. Also double check the internal drain hose (23) to make sure that it is not twisted or kinked. Be sure hose is secured to drain pipe and that it is above the normal water level of the washer to prevent siphoning. (Minimum height 34 inches, maximum height 72 inches from the base of the washer.)

**Note:** Under no circumstances may the drain hose be connected directly to the drain unless an adequate siphon break is provided in accordance with local plumbing codes.

**BE CAREFUL NOT TO TWIST OR KINK ANY HOSES.**

Now replace the rear service panel.

### 6. Hot Water Hose Assembly

Be sure to use the new hoses and washers that came with your new Whirlpool Washer.

Insert one of the flat hose washers (14) and (16) into each end of one of the inlet hoses (See Figure 9). **BE SURE WASHERS ARE SECURELY SEATED IN HOSE COUPLINGS.** Attach one end of this hose (13) to the hot water faucet (17). Tighten coupling hand-tight, then an additional two-thirds turn with pliers. Attach the other end of the inlet hose (13) to the bottom port of the inlet valve (See "H" mark on cabinet for hot) (15). Tighten coupling hand-tight, then an additional two-thirds turn with pliers. **DO NOT CROSS THREAD.**



Figure 9

## 7. Cold Water Hose Assembly

Be sure to use the new hoses and washers that came with your new Whirlpool Washer.

Insert one of the flat hose washers (19) and (21) into each end of one of the inlet hoses (See Figure 9). BE SURE WASHERS ARE SECURELY SEATED IN HOSE COUPLINGS. Attach one end of this hose (18) to the cold water faucet (22). Tighten coupling hand-tight, then an additional two-thirds turn with pliers. Attach the other end of the inlet hose (18) to the top port of the inlet valve (See "C" mark on cabinet for cold) (20). Tighten coupling hand-tight, then an additional two-thirds turn with pliers. DO NOT CROSS THREAD.

## 8. Electrical Connections

**Electrical ground is required on this appliance.**

### A. RECOMMENDED GROUNDING METHOD

DO NOT, UNDER ANY CIRCUMSTANCES, REMOVE THE POWER SUPPLY CORD GROUND PRONG.

For your personal safety, this appliance must be grounded. This appliance is equipped with a power supply cord having a 3-prong ground plug. To minimize possible shock hazard, the cord must be plugged into a mating 3-prong grounding type wall receptacle, grounded in accordance with the National Electrical Code and local codes and ordinances. If a mating wall receptacle is not available, it is the personal responsibility and obligation of the customer to have a properly grounded 3-prong wall receptacle installed by a qualified electrician. (See Figure 10.)

For added personal safety, using the clamp and green colored copper wire furnished, connect this separate ground wire (No. 18 minimum) from the external ground connector on the back of the appliance to a grounded cold water pipe\*. (See Figure 11.)

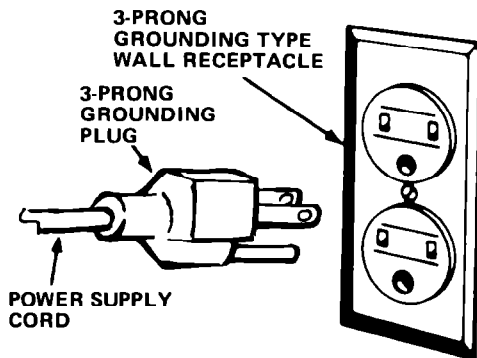


Figure 10

### B. ALTERNATE GROUNDING METHOD

DO NOT, UNDER ANY CIRCUMSTANCES, REMOVE THE POWER SUPPLY CORD GROUND PRONG.

If changing and properly grounding the wall receptacle is impossible and where local codes permit (consult your electrical inspector), a temporary adapter may be plugged into the existing 2-prong wall receptacle to mate with the 3-prong power supply cord. THIS, HOWEVER, IS NOT RECOMMENDED.

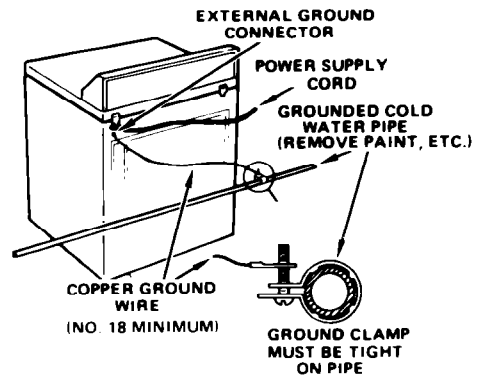


Figure 11

If this is done, you must connect a separate copper ground wire (No. 18 minimum) to a grounded cold water pipe\* by means of a clamp and then to the external ground connector screw. Do not ground to a gas supply pipe. Do not connect to electrical supply until appliance is permanently grounded.

\*Grounded cold water pipe must have metal continuity to electrical ground and not be interrupted by plastic, rubber or other electrically insulating connectors (including water meter or pump) without adding a jumper wire at these connections.

## Coin Operated Models

### 9. Coin Mechanism Information

*Disconnect power supply cord before installing coin mechanism.*

This washer is equipped with a meter case console, timer, selector switches and indicator lights. The coin slide mechanism, service lock and vault assembly can be supplied by the same source that supplied this washer.

*Install the slide extension to the coin slide mechanism.*

To install the coin slide mechanism, remove the service door of the meter case. Lift the meter case top up at the back to remove. Carefully insert coin slide mechanism into opening and secure with the 3/16" bolt from inside meter case. (See Figure 12.)

**Note:** The coin slide may have to be pushed in partially to gain clearance to install the coin slide mechanism.

This model is equipped with a security top lock concealed under the top, inside the meter case. Access to the lock is through the service door of the meter case. (See insert sheet for concealed top lock information.)

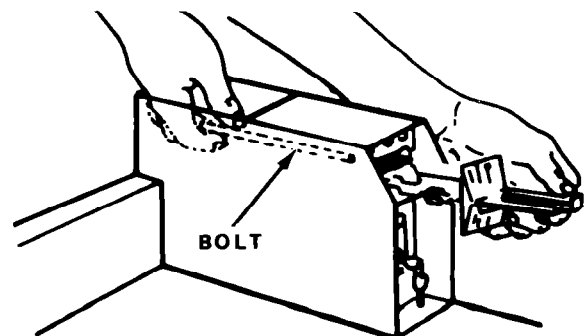


Figure 12

# Non-Coin Operated Models

## 10. Operation Information

This washer is equipped with a console, push to start timer, selector switches and indicator lights.

The timer has a 9-1/2 minute wash cycle and can be operated manually, for service, from the rear of the console. The timer cycle information is ink stamped on the rear of the timer, a lever is attached to the rear of the timer shaft to manually position the timer through the cycle.

To change cycle position, first stop the washer by pushing in on the lever from the rear, then reset lever to new cycle position and pull to restart the washer. (See Figure 13.)

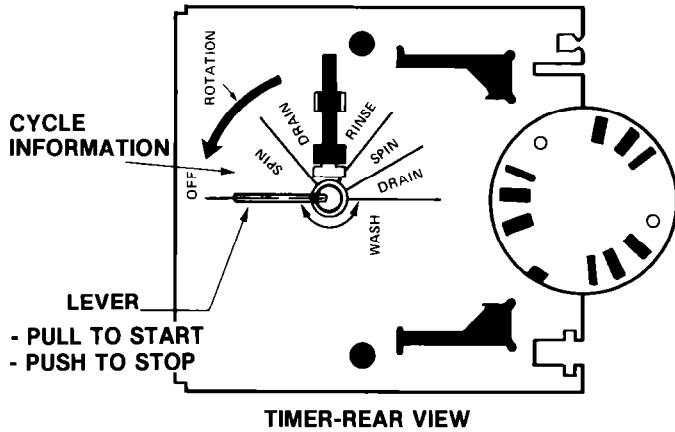


Figure 13

## 11. Leveling Your Washer (All models)

Now move the washer to its permanent operating location. Turn on the faucets and check for leaks, then fill the washer with water up to the bottom row of holes around the basket.

**Note:** On coin operated models the timer may be turned by using the clutch assembly as a knob. Rotate the clutch assembly counter-clockwise until the washer starts to fill with water. When the proper water level is reached, slowly rotate the clutch assembly counter-clockwise until the "off" position is reached. (See Figure 14.)

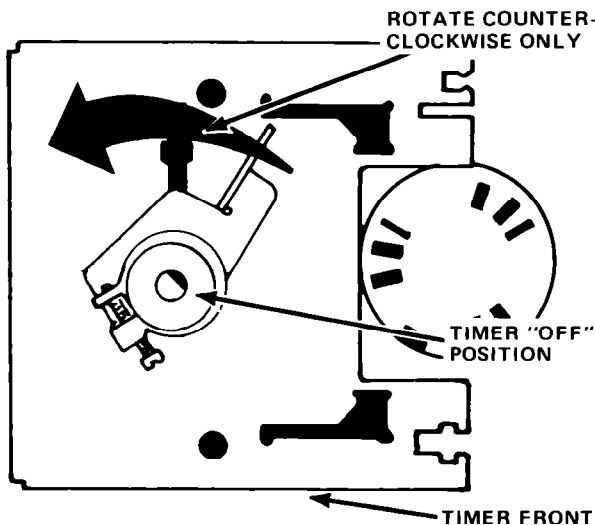


Figure 14

For all models, level washer from front to rear and from side to side by adjusting the front leveling feet until the water is level with the bottom row of holes around the basket.

The rear legs are self-leveling and adjusted by tilting the washer forward and up approximately 1" in the rear, then releasing the washer so that the rear legs can settle themselves to a level position.

## 12. Timer Clutch Adjustment (If needed)

All coin operated models have a timer that has a 9-1/2 minute wash in the Normal cycle. During the cycle check, actuate the coin mechanism and then check the wash cycle time. If the washer fails to start or does not give the proper wash cycle time, the clutch assembly may need adjustment as follows:

**Note:** The clutch assembly is equipped with a timer clutch adjustment screw. To adjust the adjustment screw, remove the timer from the meter case and adjust the timer clutch adjustment screw as follows:

A. If the appliance fails to start after the coin slide mechanism has been fully actuated IN or OUT, a CLOCK-WISE adjustment of the screw is indicated. (See Figure 15.)

B. If the appliance timer goes past the third increment of fill (less than 9-1/2 minutes of wash will occur in Normal cycle), turn the adjustment screw COUNTER-CLOCK-WISE. (See Figure 15.)

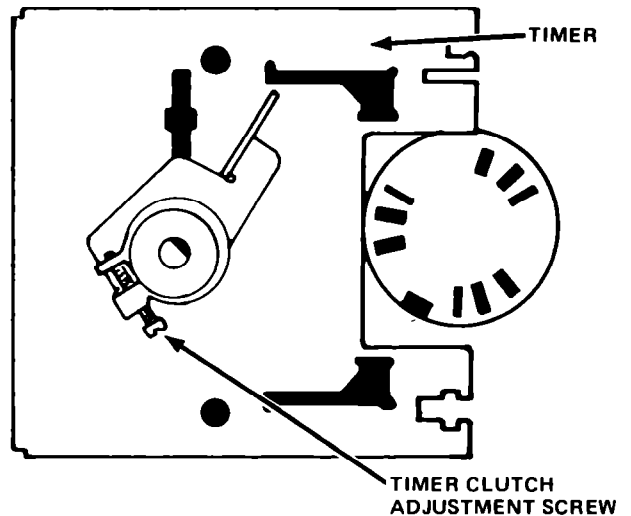


Figure 15

## 13. Make a Cycle Check (All models)

Refer to the operating instructions and run the washer through one complete cycle. For coin-operated models the washer may be operated manually as covered in the second paragraph under "Leveling Your Washer." Use one-half the recommended amount of detergent. After the cycle, check all hoses and water connections to see that they are operating properly and that they do not leak.

# Important Operating Information

1. Make sure the power supply cord is plugged in and proper electrical contact made. Check fuses to be sure none are blown.
2. Make sure timer has been advanced to start cycle.
3. Make sure water faucets are turned on.
4. Make sure inlet and drain hoses are not kinked.
5. The washer will not spin if lid is open.

6. Excess suds cause "Suds Lock" slow spin, and poor rinsing. If spinning is slow and excess suds are present, run the washer through a complete cycle without using detergent. On future loads use less detergent or a controlled suds type detergent.

7. It is recommended that fiberglass items not be washed in coin-operated washers. If these type items are washed in the washer, the washer must be run through a complete cycle to rinse away any residue that might be left in the washer from fiberglass items.

8. CAUTION Do not use drycleaning fluids or other flammable solvents in the automatic washer.

9. Special Reminder Plan to place your washer where its inlet valve is protected from freezing.

This chart gives examples of typical full loads

LOAD TYPE	LOADING SUGGESTION	LOAD TYPE	LOADING SUGGESTION
Mixed Load	2 double or 1 king size sheet 4 pillowcases 6 T-shirts 6 pair shorts 2 shirts 2 blouses 6 handkerchiefs	Heavy work clothes	2 pair work pants 3 work shirts 1 coverall 3 pair jeans
Permanent Press	1 double sheet 1 tablecloth 3 shirts 1 dress 1 blouse 2 slacks 2 pillowcases	Knits	2 slacks 6 tops 4 shirts 2 dresses

## Instructions for Converting from Cold Water Rinses to Warm Water Rinses

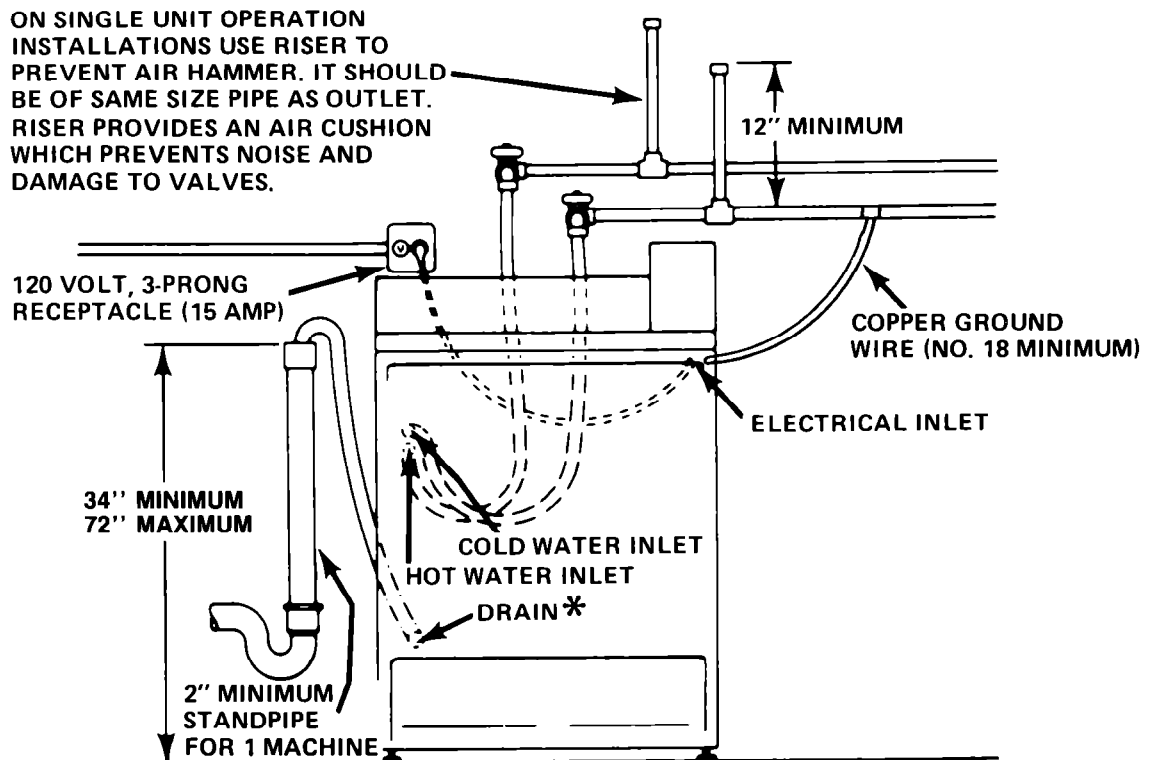
This washer provides cold water rinses, to convert this washer to provide warm water rinses:

1. Disconnect washer from electrical supply.
2. Remove console rear panel and untape the brown-red wire with the insulated terminal from the console harness.
3. Install brown-red wire to terminal J2 on cycle selection switch.
4. Reassemble console rear panel.

# Moving Operations Procedure

1. Turn off both water faucets.
  2. Start the washer in the fill portion of the wash cycle.
  3. Turn off the washer.
  4. Remove power cord from wall socket, coil and tape to rear of machine.
  5. Remove inlet hoses from hot and cold water faucets.
  6. Remove inlet hoses from water inlet valve. Wrap ends and place hoses in basket.
  7. Remove drain hose, coil and place in basket (DO NOT KINK.)
  8. Lay washer on its back and turn front leveling feet until they are flush with cabinet.
  9. Pull downward on each of the rear leveling feet until they are free of the leveling foot channel.
  10. Replace plastic foam shipping blocks as shown in Figures 1 and 6 (3A & 3B).
  11. Place washer in upright position. (Do not grasp console.)
  12. Remove rear service panel.
  13. Install nylon spool and bolts (2). Figure 5.
  14. Reinstall rear service panel.
  15. Tape lid closed. Washer is now ready for shipment.
- NOTE: Upon reinstallation of machine, replace used hose and screen washers with new.

## Illustration Showing Complete Typical Assembly



\*The drain hose assembly must fit in the standpipe so that there is an air gap around the drain hose inside the standpipe. A snug fit can cause a siphoning action.

**FOR COMPLETE SERVICE INFORMATION, BE SURE TO READ THE WHIRLPOOL COMMERCIAL AUTOMATIC WASHER SERVICE MANUAL**



Benton Harbor, Michigan. Automatic Washers, Clothes Dryers, Freezers, Refrigerator-Freezers, Ice Makers, Dishwashers, Built-in Ovens and Surface Units, Ranges, Microwave Ovens, Compactors, Room Air Conditioners, Dehumidifiers, Central Heating and Air Conditioning Systems.

Quality. Our way of life.