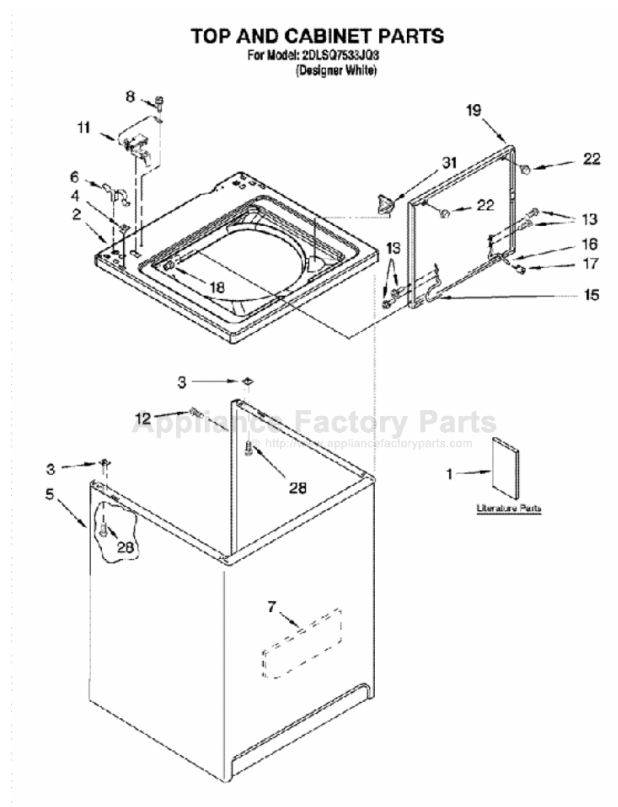


This Owner's Manual is provided and hosted by [Appliance Factory Parts](http://ApplianceFactoryParts.com).



WHIRLPOOL 2DLSQ7533JQ3 Owner's Manual

[Shop genuine replacement parts for WHIRLPOOL
2DLSQ7533JQ3](#)



[Find Your WHIRLPOOL Washer Parts - Select From 4132 Models](#)

----- Manual continues below -----



**TWO SPEED
AUTOMATIC WASHERS**

Use & Care Guide

**LAVADORAS
AUTOMÁTICAS DE DOS
VELOCIDADES**

Manual de uso y cuidado

Table of Contents/Índice 2

TABLE OF CONTENTS

WASHER SAFETY	3
PARTS AND FEATURES	4
WASHER USE	5
Understanding Washer Cycles	5
Loading	5
Normal Sounds	5
Starting Your Washer	6
Selecting a Cycle and Time	7
Rinse and Spin	8
Drain and Spin	8
Adding Liquid Chlorine Bleach	8
Adding Liquid Fabric Softener	8
WASHER CARE	8
Cleaning Your Washer	8
Water Inlet Hoses	8
Vacation, Storage and Moving Care	8
TROUBLESHOOTING	9
ASSISTANCE OR SERVICE	11

ÍNDICE

SEGURIDAD DE LA LAVADORA	12
PIEZAS Y CARACTERÍSTICAS	13
FUNCIONAMIENTO DE LA LAVADORA	14
Para comprender los ciclos de lavado	14
Cómo cargar la lavadora	14
Sonidos normales	14
Puesta en marcha de su lavadora	15
Cómo seleccionar un ciclo y tiempo	16
Enjuague y exprimido	17
Desagüe y exprimido	17
Cómo agregar el blanqueador líquido con cloro	17
Cómo agregar el suavizante líquido de telas	17
CUIDADO DE LA LAVADORA	17
Limpieza de su lavadora	17
Mangueras de entrada del agua	17
Cuidado durante las vacaciones, el almacenamiento y las mudanzas	17
SOLUCIÓN DE PROBLEMAS	18
AYUDA O SERVICIO TÉCNICO	20

WASHER SAFETY

Your safety and the safety of others are very important.

We have provided many important safety messages in this manual and on your appliance. Always read and obey all safety messages.



This is the safety alert symbol.

This symbol alerts you to potential hazards that can kill or hurt you and others.

All safety messages will follow the safety alert symbol and either the word "DANGER" or "WARNING." These words mean:

! DANGER

You can be killed or seriously injured if you don't immediately follow instructions.

! WARNING

You can be killed or seriously injured if you don't follow instructions.

All safety messages will tell you what the potential hazard is, tell you how to reduce the chance of injury, and tell you what can happen if the instructions are not followed.

IMPORTANT SAFETY INSTRUCTIONS

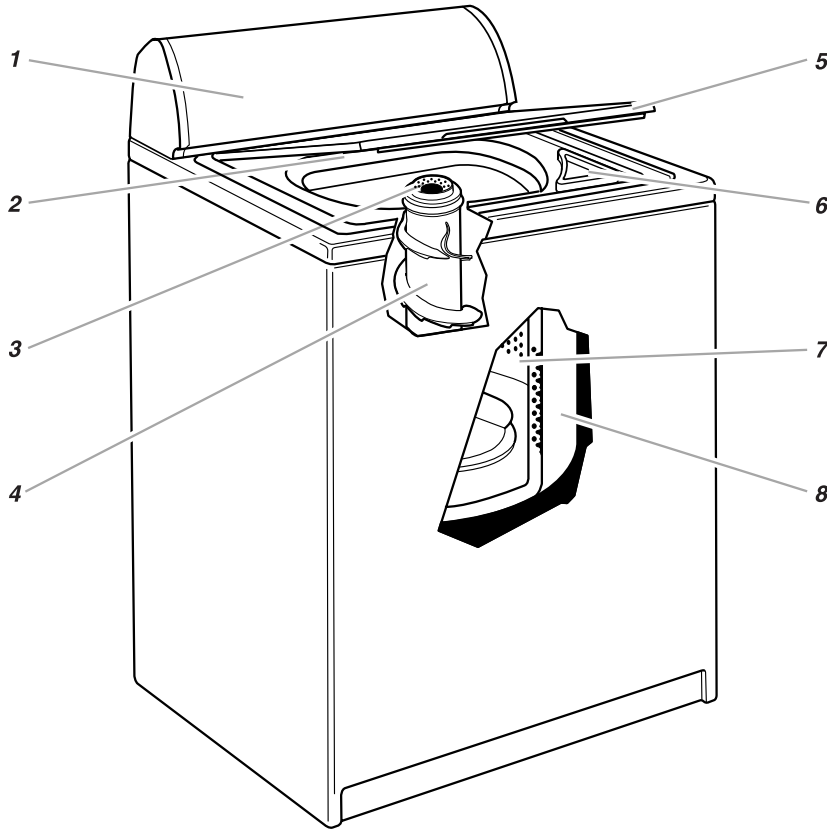
WARNING: To reduce the risk of fire, electric shock, or injury to persons when using the washer, follow basic precautions, including the following:

- Read all instructions before using the washer.
- Do not wash articles that have been previously cleaned in, washed in, soaked in, or spotted with gasoline, dry-cleaning solvents, other flammable, or explosive substances as they give off vapors that could ignite or explode.
- Do not add gasoline, dry-cleaning solvents, or other flammable, or explosive substances to the wash water. These substances give off vapors that could ignite or explode.
- Under certain conditions, hydrogen gas may be produced in a hot water system that has not been used for 2 weeks or more. **HYDROGEN GAS IS EXPLOSIVE.** If the hot water system has not been used for such a period, before using the washing machine, turn on all hot water faucets and let the water flow from each for several minutes. This will release any accumulated hydrogen gas. As the gas is flammable, do not smoke or use an open flame during this time.
- Do not allow children to play on or in the washer. Close supervision of children is necessary when the washer is used near children.
- Before the washer is removed from service or discarded, remove the door or lid.
- Do not reach into the washer if the drum, tub or agitator is moving.
- Do not install or store the washer where it will be exposed to the weather.
- Do not tamper with controls.
- Do not repair or replace any part of the washer or attempt any servicing unless specifically recommended in this manual or in published user-repair instructions that you understand and have the skills to carry out.
- See "Electrical Requirements" for grounding instructions.

SAVE THESE INSTRUCTIONS

PARTS AND FEATURES

This manual covers several different models. The washer you have purchased may have some or all of the parts and features listed below.

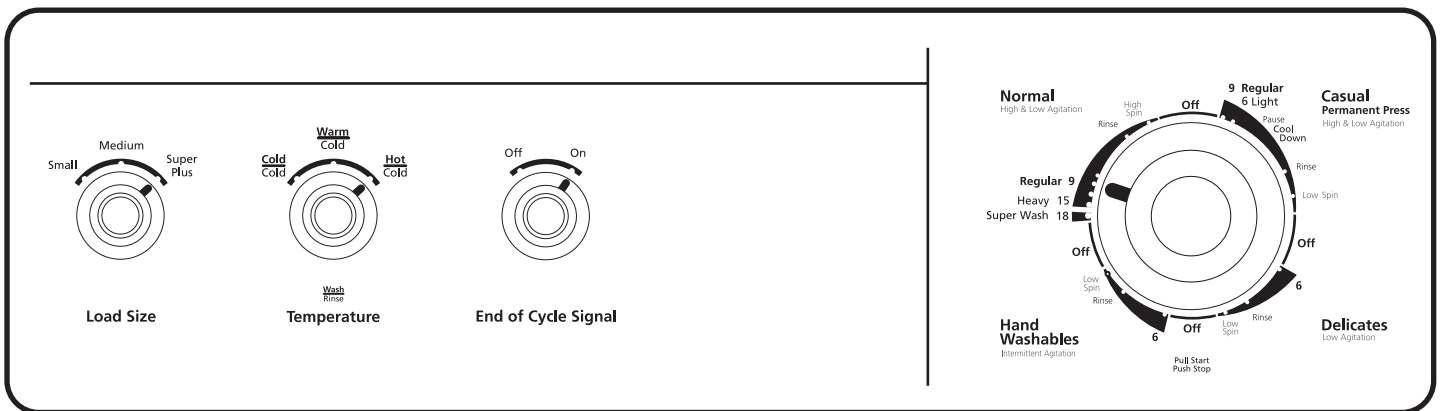


1. Control panel
2. Model and serial number label
3. Liquid fabric softener dispenser†
4. Agitator
5. Lid
6. Liquid chlorine bleach dispenser†
7. Basket
8. Tub

Other features your washer may have
 XTRA ROLL ACTION™ PLUS agitator
 DURASMOOTH™ white porcelain basket
 Extra rinse selector

†On some models

Control panel

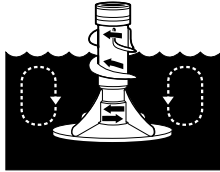


WASHER USE

Understanding Washer Cycles

When the Cycle Control knob is set to a number and pulled out, the washer fills (to the selected load size) before agitation and timing start. The washer begins agitating immediately after filling; agitation occurs with the washer lid down.

During agitation, the agitator creates a continuous rollover action (on some models) that provides a thorough cleaning of the wash load.



After agitation starts, the Cycle Control knob turns clockwise until it points to an OFF area and the cycle ends.

NOTE: The washer pauses briefly throughout each cycle. These pauses are normal for washer operation.

WASH	RINSE
<p>1. Fill</p>	<p>1. Fill</p>
<p>2. Wash selected time</p>	<p>2. Rinse</p>
<p>3. Drain[†] No agitation</p>	<p>3. Drain No agitation</p>
<p>4. Spin</p>	<p>4. Spin-Spray rinse</p>
	<p>5. Spin</p>
<p>[†] The Casual/Permanent Press cycle partially drains, fills, agitates briefly, and drains.</p>	<p>6. Off</p>

Loading

Loading suggestions

For these suggested full-sized loads, set the LOAD SIZE selector to the highest load size setting.

SUPER CAPACITY PLUS WASHERS

Heavy Work Clothes

3 pair pants	1 coverall
3 shirts	1 overall
4 pair jeans	

Delicates

3 camisoles	6 undergarments
1 quilted robe	2 sets of sleepwear
4 slips	1 child's outfit

Towels

10 bath towels	14 washcloths
10 hand towels	1 bath mat

Mixed Load

3 double sheets	2 shirts
4 pillowcases	2 blouses
8 T-shirts	8 handkerchiefs
6 pair shorts	

EXTRA LARGE CAPACITY WASHERS

Heavy Work Clothes

2 pair pants	3 pair jeans
3 shirts	1 coverall

Delicates

3 camisoles	2 sets of sleepwear
4 slips	
6 undergarments	

Towels

8 bath towels	10 washcloths
8 hand towels	1 bath mat

Mixed Load

2 double sheets	6 pair shorts
or	2 shirts
1 king size sheet(s)	2 blouses
4 pillowcases	6 handkerchiefs
6 T-shirts	

Normal Sounds

Your new washer may make sounds your old one didn't. Because the sounds might be unfamiliar, you may be concerned about them. These sounds are normal.

During washing

When you select a small load size setting, your washer has a lower water level. This can cause a clicking sound from the upper part of the agitator.

During drain

If water is drained quickly from your washer (depending on your installation), you may hear air being pulled through the pump during the end of draining.

After drain and before spin

When the cycle changes from draining to spinning, you may hear gears engaging.

Starting Your Washer

⚠ WARNING



Fire Hazard

Never place items in the washer that are dampened with gasoline or other flammable fluids.

No washer can completely remove oil.

Do not dry anything that has ever had any type of oil on it (including cooking oils).

Doing so can result in death, explosion, or fire.

⚠ WARNING



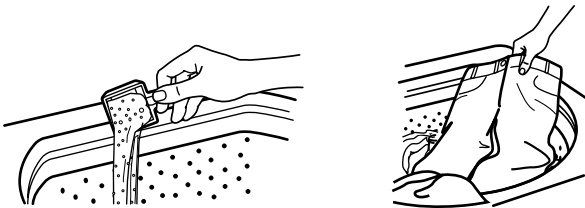
Electrical Shock Hazard

Electrically ground this appliance.

Do not use an extension cord.

Failure to follow these instructions can result in death, fire, or electrical shock.

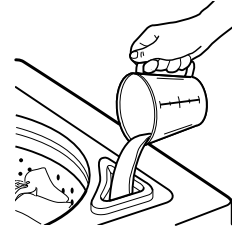
1. Measure detergent and pour it into the washer. If desired, add powdered or liquid color safe bleach. Add extra detergent for the Super Wash cycle.



Drop a sorted load of clothes loosely into your washer.

- Load evenly to maintain washer balance. Mix large and small items.
- Items should move easily through the wash water. Overloading can cause poor cleaning.
- To reduce wrinkling of permanent press clothes and some synthetic knits, use a large load size to provide more space (see Step 5).

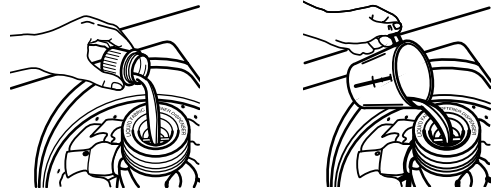
2. (OPTIONAL) Pour measured liquid chlorine bleach into the liquid chlorine bleach dispenser (on some models). Bleach will be diluted automatically during the wash part of the cycle.



- Never use more than 1 cup (250 mL) for a full load. Use less with a smaller load size.
- Follow the manufacturer's directions for safe use.
- To avoid spilling, use a cup with a pouring spout. Do not let bleach splash, drip, or run down into the washer basket.
- Use only liquid chlorine bleach in this dispenser.

NOTE: On models without a bleach dispenser, see "Adding Liquid Chlorine Bleach."

3. (OPTIONAL) Pour measured liquid fabric softener into the liquid fabric softener dispenser (on some models). Softener is added automatically during the rinse portion of the cycle.

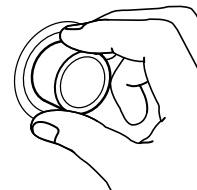


Dilute liquid fabric softener by filling the dispenser with warm water until liquid reaches the crossbar in the opening.

- Do not spill or drip any fabric softener on the clothes.
- Use only liquid fabric softener in this dispenser.

NOTE: On models without a fabric softener dispenser, see "Adding Liquid Fabric Softener."

4. Close the washer lid. Washer will not agitate or spin with the lid open.
5. Turn the LOAD SIZE selector to the correct setting for your wash load and the type of fabric being washed.



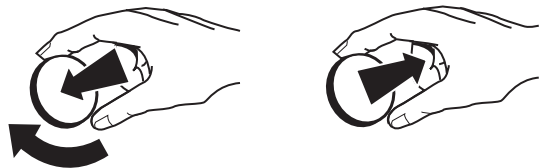
- Choose a load size that allows the load to move freely for best fabric care. See "Loading."
- You may change the load size selection after the washer has started filling by turning the selector to a different setting.

- Set the TEMPERATURE selector to the correct setting for the type of fabric and soils being washed. Use the warmest water safe for fabric. Follow garment label instructions.

Water Temp	Use For
Hot	Whites and pastels Heavy soils
Warm	Bright colors Moderate to light soils
Cold	Colors that bleed or fade Light soils

NOTE: In wash water temperatures colder than 70°F (21°C), detergents do not dissolve well. Soils can be difficult to remove. Some fabrics can retain wear wrinkles and have increased pilling (the formation of small lint-like balls on the surface of garments).

- (OPTIONAL) Some models have an EXTRA RINSE selector. For an additional rinse and spin at the end of a wash cycle, set the EXTRA RINSE selector to ON. On some models, the Extra Rinse feature is part of the cycle.
- (OPTIONAL) Some models have an END OF CYCLE SIGNAL selector. Set the END OF CYCLE SIGNAL selector to ON if you want your washer to alert you when the wash cycle is complete. The signal is helpful when you are washing items that should be removed from the washer as soon as the cycle ends.
- Push in the Cycle Control knob and turn it clockwise to the wash cycle you want. Reduce the wash time when using a small load size setting. See “Selecting a Cycle and Time.”



Pull out the Cycle Control knob to start the washer.

To stop or restart your washer

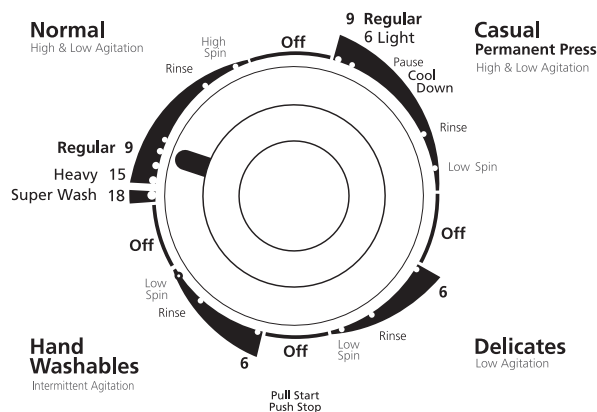
- To stop the washer at any time, push in the Cycle Control knob.
- To restart the washer, close the lid (if open) and pull out the Cycle Control knob.

Selecting a Cycle and Time

This section describes the available wash cycles and will help you make the best cycle selections for your wash loads. Each cycle is designed for different types of fabric and soil levels.

- The washer pauses briefly throughout each cycle. These pauses are normal. Refer to “Normal Sounds” to learn more about the sounds you may hear during a wash cycle.
- Refer to “Understanding Washer Cycles” to learn what happens during a wash cycle.

NOTE: This manual covers several different washer models. The washer you have purchased will not have all of the cycles described.



Heavy cycle

This cycle features high-speed agitation followed by brief periods of low-speed agitation for cleaning sturdy fabrics and heavily soiled loads that need maximum soil removal. Select Super Wash or Regular depending on whether your load is moderately or heavily soiled. For improved cleaning, use twice the amount of detergent recommended for a wash cycle. The Heavy cycle features Extra Rinse as part of the cycle.

Super Wash - Select the Super Wash setting to wash heavily soiled loads that need maximum soil removal. Use twice the amount of detergent recommended for a wash cycle.

Normal cycle

This cycle features high-speed agitation followed by a brief period of low-speed agitation for cleaning cottons and linens. High spin speeds shorten drying time. Select 6 to 15 minutes of wash time, depending on your model, for loads that are moderately or heavily soiled. For lightly soiled loads, use the shortest time setting.

Casual/Permanent Press cycle

This cycle starts with high-speed agitation and then steps down to low-speed agitation for cleaning permanent press blends and synthetic fabrics. To minimize wrinkling, this cycle features a cool-down rinse and a low-speed final spin. Select 6 to 10 minutes of wash time, depending on your model, to clean lightly to moderately soiled loads.

Delicates cycle

This cycle features low-speed agitation for gentle soil removal from delicate items and washable knits. Low spin speeds minimize wrinkling. Select 3 to 9 minutes of wash time, depending on your model, to clean lightly to moderately soiled loads.

Hand Washables cycle

This cycle features a series of brief, low-speed agitations and short soaks to gently clean special-care items. Low spin speeds minimize wrinkling. Wash small loads. If items appear to be floating (due to trapped air), stop the washer by pushing in the Cycle Control knob. Push items down into the washer. Restart the washer.

Quick Wash cycle

This cycle features low-speed agitation for gentle soil removal, while providing high spin speeds to shorten drying times. Select this cycle for small loads of lightly soiled items that you need in a hurry.

Soak cycle

This cycle features brief periods of agitation and soak time to remove heavy soils and stains that need pretreatment. Use warm water when soaking laundry. Hot water can set stains. Use the amount of detergent or presoak additive recommended by the manufacturer. When the Soak cycle ends, add detergent and start a new wash cycle.

Rinse and Spin

When using extra detergent for heavily soiled clothes, or washing special-care items, you may find an extra rinse and spin is needed.

1. Push in the Cycle Control knob and turn it clockwise to any of the Rinse settings.
2. Pull out the Cycle Control knob. The washer fills to the selected load size, agitates, drains, and spins.

NOTE: An Extra Rinse option is available (on some models). See “Starting Your Washer.”

Drain and Spin

A drain and spin may help shorten drying times for some heavy fabrics or special-care items by removing excess water.

1. Push in the Cycle Control knob and turn it clockwise to any of the Spin settings.
 2. Pull out the Cycle Control knob. The washer drains, then spins.
-

Adding Liquid Chlorine Bleach

Always measure liquid chlorine bleach. Do not guess. Never use more than 1 cup (250 mL) for a full load. Follow manufacturer’s directions for safe use. Use a cup with a pouring spout to avoid spilling.

1. Let the washer fill and begin agitating the load.
2. Add bleach to the wash cycle so it can be removed in the rinse cycle. Pour bleach around the agitator, not directly onto the load.
 - Follow directions on the care labels. Do not use chlorine bleach on wool, silk, spandex, acetates, or some flame-retardant fabrics.
 - When soaking with chlorine bleach, add detergent to soak water.

NOTE: Undiluted bleach will damage any fabric it touches. The damage appears as rips, holes, tears, or color loss and may not show up until several washings later.

Adding Liquid Fabric Softener

Always dilute fabric softener with ½ to 1 cup (125 to 250 mL) warm water. Undiluted fabric softener can stain fabrics.

- Add diluted fabric softener only in the final rinse.
 - Fabric softener should not be mixed with other laundry products. Greasy stains can form. To remove greasy stains, wet the stain and rub with liquid detergent or a bar of soap. Rewash.
 - Too much fabric softener can make some items (diapers and towels) nonabsorbent. If this happens, use less fabric softener, or do not use it every time.
-

WASHER CARE

Cleaning Your Washer

Cleaning the exterior

Use a soft, damp cloth or sponge to wipe up any spills such as detergent or bleach. Occasionally wipe the outside of your washer to keep it looking new.

Cleaning the interior

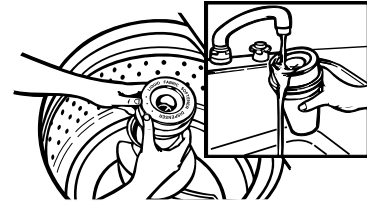
Clean your washer interior by mixing 1 cup (250 mL) of chlorine bleach and 2 cups (500 mL) of detergent. Pour this into your washer and run it through a complete cycle using hot water. Repeat this process if necessary.

NOTE: Remove any hard water deposits using only cleaners labeled as washer safe.

Cleaning the liquid fabric softener dispenser

Flush dispenser periodically with warm water, as shown. Remove the dispenser by grasping the top of the dispenser with both hands and squeezing and pushing upward with thumbs. Clean the dispenser by rinsing it under a water faucet. Replace it after cleaning.

NOTE: Do not wash clothes with this dispenser removed. Do not add detergent or bleach to this dispenser; it is for liquid fabric softener use only.



Water Inlet Hoses

Replace inlet hoses after five years of use to reduce the risk of hose failure. Periodically inspect and replace inlet hoses if bulges, kinks, cuts, wear or leaks are found.

When replacing your inlet hoses, mark the date of replacement on the label with a permanent marker.

Vacation, Storage and Moving Care

Install and store your washer where it will not freeze. Because some water may stay in the hoses, freezing can damage your washer. If storing or moving your washer during freezing weather, winterize it.

Non-use or vacation care

Operate your washer only when you are at home. If you will be on vacation or not using your washer for an extended period of time, you should:

- Unplug washer or disconnect power.
- Turn off the water supply to the washer. This helps avoid accidental flooding (due to a water pressure surge) while you are away.

To winterize washer

1. Shut off both water faucets.
2. Disconnect and drain water inlet hoses.
3. Put 1 qt (1 L) of R.V.-type antifreeze in the basket.
4. Run washer on a drain and spin setting (see “Drain and Spin”) for about 30 seconds to mix the antifreeze and water.
5. Unplug washer or disconnect power.

To use washer again

1. Flush water pipes and hoses.
2. Reconnect water inlet hoses.
3. Turn on both water faucets.
4. Plug in washer or reconnect power.
5. Run the washer through a complete cycle with 1 cup (250 mL) of detergent to clean out antifreeze.

TROUBLESHOOTING

First try the solutions suggested here and possibly avoid the cost of a service call...

Washer won't fill, rinse or agitate

- **Check the following:**
 - Is the power cord plugged in?
 - Is the indicator on the Cycle Control knob properly lined up with a cycle? Turn the Cycle Control knob to the right slightly and pull to start.
 - Are the water inlet valve screens clogged?
 - Are both the hot and cold water faucets turned on?
 - Is the water inlet hose kinked?
- **Does the water level seem too low, or does the washer appear to not fill completely?**

The top of the agitator is much higher than the highest water level. This creates a perception that the washer is not filling completely. This is normal.
- **Is the lid open?**

The lid must be closed during operation. Washer will not agitate or spin with the lid open.

Washer stops

- **Check the following:**
 - Is the power cord plugged in?
 - Is the indicator on the Cycle Control knob properly lined up with a cycle? Turn the Cycle Control knob to the right slightly and pull to start.
 - Are the water inlet valve screens clogged?
 - Are both the hot and cold water faucets turned on?
 - Is the water inlet hose kinked?
- **Is there power at the plug?**

Check your electrical source or call an electrician.
- **Has a fuse blown or is the circuit breaker open?**

If problem continues, call an electrician.
- **Are you using an extension cord?**

Do not use an extension cord.
- **Is the washer in a normal pause in the Casual/Permanent Press (or Hand Washables) cycle?**

The washer pauses for about 2 minutes in the Casual/Permanent Press cycle. Allow the cycle to continue.

The Hand Washables cycle (on some models) features periods of agitation and soak.
- **Is the lid open?**

The lid must be closed during operation. Washer will not agitate or spin with the lid open.
- **Is the washer overloaded?**

Wash smaller loads.

Washer won't drain or spin

- **Is the drain hose clogged, or the end of the drain hose more than 72 in. (183 cm) above the floor?**

See the Installation Instructions for proper installation of drain hose.
- **Is the lid open?**

The lid must be closed during operation. Washer will not agitate or spin with the lid open.

- **Is there excessive sudsing?**

Always measure detergent. Follow manufacturer's directions. If you have very soft water, you might need to use less detergent.
- **Is your voltage low?**

Check your electrical source or call an electrician. Do not use an extension cord.

Washer continues to fill or drain, or the cycle seems stuck

- **Is the top of drain hose lower than the water level in washer?**

The top of the hose must be higher than the water level in the washer for proper operation. See the Installation Instructions.
- **Does the drain hose fit too tightly in the standpipe, or is it taped to the standpipe?**

The drain hose should be loose yet fit securely. Do not seal the drain hose with tape. The hose needs an air gap. See the Installation Instructions.

Washer makes noise

- **Is the load balanced and the washer level?**

The wash load should be balanced and not overloaded.

The washer must be level. The front feet should be properly installed and the nuts tightened. Reset the rear leveling legs (if needed). See the Installation Instructions.
- **Did you completely remove the yellow shipping strap with cotter pins?**

See the Installation Instructions.
- **Are the gears engaging after the drain and before spin, or is the upper part of agitator clicking during wash?**

These are normal washer noises.

Washer leaks

- **Check the following:**

Are the fill hoses tight? Are the fill hose washers properly seated? Is the drain hose clamp properly installed? See the Installation Instructions.
- **Is the sink or drain clogged?**

Sink and standpipe must be able to handle 17 gal. (64 L) of water per minute.
- **Is water deflecting off the tub ring or the load?**

Center the tub before starting the washer.

The wash load should be balanced and not overloaded. The fill or spray rinses can deflect off the load.

The washer must be level. The front feet should be properly installed and the nuts tightened. Reset the rear leveling legs (if needed). See the Installation Instructions.
- **Check household plumbing for leaks.**

Washer basket is crooked

- **Was the washer basket pulled forward during loading?**
The wash load should be balanced and not overloaded. Push the basket to the center before starting washer.
- **Is the load balanced and the washer level?**
The wash load should be balanced and not overloaded.

The washer must be level. The front feet should be properly installed and the nuts tightened. Reset the rear leveling legs (if needed). See the Installation Instructions.
- **The washer basket moves while washing.**
This is normal.

Agitator operation

- **The top of the agitator is loose, or moves in only one direction.**
This is normal.

Dispensers clogged or bleach leaking

- **Did you follow the manufacturer's directions when adding detergent and fabric softener to the dispensers?**
Measure detergent and fabric softener. Carefully pour into the dispensers. Wipe up all spills.

Dilute fabric softener in the fabric softener dispenser.
- **Did you put powdered or color-safe bleach in the liquid chlorine bleach dispenser?**
Add powdered or liquid color-safe bleach directly to the basket. Do not use the chlorine bleach dispenser for color-safe bleach.

Load too wet

- **Did you use the right cycle for the load being washed?**
Select a cycle with a higher spin speed (if available).
- **Did you use a cold rinse?**
Cold rinses leave loads wetter than do warm rinses. This is normal.

Residue or lint on load

- **Did you sort properly?**
Sort lint givers (towels, chenille) from lint takers (corduroy, synthetics). Also sort by color.
- **Did you overload the washer?**
The wash load must be balanced and not overloaded. Lint can be trapped in the load if overloaded. Wash smaller loads.
- **Check the following:**
Was paper or tissue left in the pockets?

Did you use enough detergent? Follow manufacturer's directions. Use enough detergent to hold the lint in the water.

Is your water colder than 70°F (21°C)? Wash water colder than 70°F (21°C) may not completely dissolve the detergent.

Stains on load

- **Did you follow the manufacturer's directions when adding detergent and fabric softener?**
Measure detergent and fabric softener. Use enough detergent to remove soil and hold it in suspension.

Dilute fabric softener and add to the rinse portion of a cycle only. Do not drip fabric softener on clothes.
- **Is there above average iron (rust) in water?**
You may need to install an iron filter.
- **Did you properly sort the load?**
Sort dark clothes from whites and lights.
- **Did you unload the washer promptly?**
To avoid dye transfer, unload the washer as soon as it stops.

Load is wrinkled

- **Did you unload the washer promptly?**
Unload the washer as soon as it stops.
- **Did you use the right cycle for the load being washed?**
Use the Casual/Permanent Press cycle or another cycle with low spin speeds (if available) to reduce wrinkling.
- **Did you overload the washer?**
The wash load must be balanced and not overloaded. Loads should move freely during washing.

To reduce wrinkling of permanent press clothes and some synthetic knits, use a large load size to provide more space.
- **Was the wash water warm enough to relax wrinkles, or are you using warm rinses?**
If safe for the load, use warm or hot wash water. Use cold rinse water.
- **Are the hot and cold water hoses reversed?**
Check to be sure the hot and cold water hoses are connected to the right faucets. See the Installation Instructions.

Load is tangled or twisted

- **Did you overload the washer?**
The wash load must be balanced and not overloaded. Loads should move freely during washing.
- **Did you wrap items around the agitator?**
Drop items loosely into the washer. Do not wrap items around the agitator.

Gray whites, dingy colors

- **Did you properly sort the load?**
Dye transfer can occur when mixing whites and colors in a load. Sort dark clothes from whites and lights.
- **Was the wash temperature too low?**
Use hot or warm washes if safe for the load. Make sure your hot water system is adequate to provide a hot water wash.
- **Did you use enough detergent, or do you have hard water?**
Use more detergent for washing heavy soils in cold or hard water.
- **Are the hot and cold water hoses reversed?**
Check to be sure the hot and cold water hoses are connected to the right faucets. See the Installation Instructions.

Wash/Rinse temperature not what I selected

- **Are the hot and cold water inlet hoses reversed?**
See the Installation Instructions for more information. As your frequency of loads washed increases, the water temperature may decrease for hot and warm temperatures. This is normal.

Garment damage

- **Check the following:**
Were sharp items removed from pockets before washing?
Empty pockets, zip zippers, and snap or hook fasteners before washing.

Were strings and sashes tied to prevent tangling?

Were items damaged before washing? Mend rips and broken threads in seams before washing.
- **Did you overload the washer?**
The wash load must be balanced and not overloaded. Loads should move freely during washing.
- **Did you properly add chlorine bleach?**
Do not pour chlorine bleach directly on load. Wipe up bleach spills. Undiluted bleach will damage fabrics.
- **Did you follow the manufacturer's care label instructions?**

ASSISTANCE OR SERVICE

If you need assistance or service, please check "Troubleshooting." If you still need help, follow the instructions below.

If you need replacement parts

If you need to order replacement parts, we recommend that you only use factory specified parts. These parts will fit right and work right because they are made with the same precision used to build every new WHIRLPOOL® appliance. To locate factory specified parts in your area, call the dealer from whom you purchased the washer or a Whirlpool designated service company.

NOTE: If the power supply cord of this washer is damaged, it must be replaced by a special cord available from the dealer from whom you purchased the washer or a Whirlpool designated service company.

For warranty information

Contact the dealer from whom you purchased your washer.

SEGURIDAD DE LA LAVADORA

Su seguridad y la seguridad de los demás es muy importante.

Hemos incluido muchos mensajes importantes de seguridad en este manual y en su electrodoméstico. Lea y obedezca siempre todos los mensajes de seguridad.



Este es el símbolo de advertencia de seguridad.

Este símbolo le llama la atención sobre peligros potenciales que pueden ocasionar la muerte o una lesión a usted y a los demás.

Todos los mensajes de seguridad irán a continuación del símbolo de advertencia de seguridad y de la palabra "PELIGRO" o "ADVERTENCIA". Estas palabras significan:

⚠ PELIGRO

Si no sigue las instrucciones **de inmediato**, usted puede morir o sufrir una lesión grave.

⚠ ADVERTENCIA

Si no sigue las instrucciones, usted puede morir o sufrir una lesión grave.

Todos los mensajes de seguridad le dirán el peligro potencial, le dirán cómo reducir las posibilidades de sufrir una lesión y lo que puede suceder si no se siguen las instrucciones.

INSTRUCCIONES IMPORTANTES DE SEGURIDAD

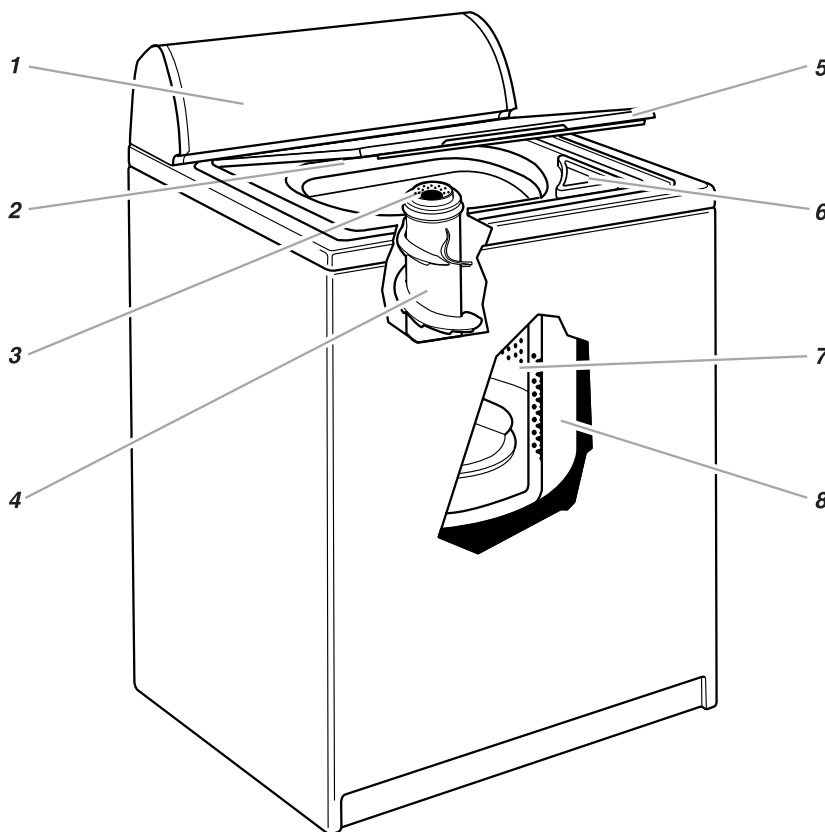
ADVERTENCIA: Para reducir el riesgo de incendio, choque eléctrico o lesiones a personas al usar su lavadora, siga las precauciones básicas, incluyendo las siguientes:

- Lea todas las instrucciones antes de usar la lavadora.
- No lave artículos que hayan sido previamente limpiados, lavados, remojados o humedecidos con gasolina, solventes para lavar en seco, u otras sustancias inflamables o explosivas ya que éstas emanan vapores que podrían encenderse o causar una explosión.
- No agregue gasolina, solventes para lavar en seco, u otras sustancias inflamables o explosivas al agua de lavado. Estas sustancias emanan vapores que podrían encenderse o causar una explosión.
- En ciertas condiciones, puede generarse gas hidrógeno en un sistema de agua caliente que no se haya usado por dos semanas o un período mayor. **EL GAS HIDRÓGENO ES EXPLOSIVO.** Si no se ha usado el agua caliente durante dicho período, antes de usar la lavadora, abra todos los grifos de agua caliente y deje que corra el agua por varios minutos. Esto liberará todo el gas hidrógeno que se haya acumulado. Debido a la inflamabilidad de dicho gas, no fume ni use una llama abierta durante este lapso.
- No permita que los niños jueguen encima o dentro de la lavadora. Es necesario una supervisión cuidadosa de los niños toda vez que se use la lavadora cerca de ellos.
- Antes de poner la lavadora fuera de servicio o desecharla, quítele la puerta o la tapa.
- No introduzca las manos en la lavadora si el tambor, la tina, o el agitador están funcionando.
- No instale ni almacene esta lavadora donde pudiese estar sometida a la intemperie.
- No trate de forzar los controles.
- No repare ni cambie pieza alguna de la lavadora ni intente realizar tarea alguna de servicio técnico, excepto cuando así se le indique específicamente en este manual o en instrucciones de reparación para el usuario publicadas, que usted entienda y para cuya ejecución cuente con la habilidad necesaria.
- Para obtener información respecto a los requisitos de conexión a tierra, refiérase a los "Requisitos Eléctricos".

GUARDE ESTAS INSTRUCCIONES

PIEZAS Y CARACTERÍSTICAS

Este manual abarca varios modelos. La lavadora que usted compró puede tener algunas o todas las piezas y características listadas abajo.



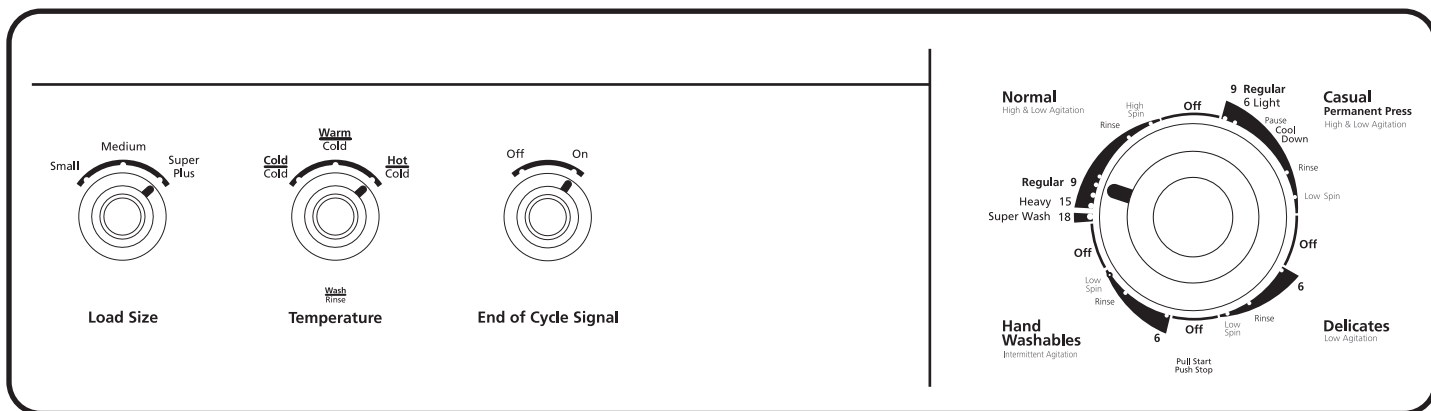
1. Panel de control
2. Etiqueta con el número de modelo y serie
3. Depósito del suavizante líquido de telas[†]
4. Agitador
5. Tapa
6. Depósito de blanqueador líquido con cloro[†]
7. Canasta
8. Tambor

Otras características que su lavadora puede tener

- Agitador XTRA ROLL ACTION™ PLUS
- Canasta de porcelana blanca DURASMOOTH™
- Selector de enjuague adicional

[†]En algunos modelos

Panel de control

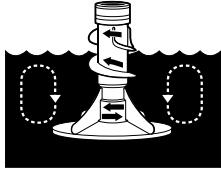


FUNCIONAMIENTO DE LA LAVADORA

Para comprender los ciclos de lavado

Cuando se fija la perilla del Control de Ciclos en un número y se jala, la lavadora se llena (hasta el tamaño de carga seleccionado) antes de que comience la agitación y el cómputo del tiempo. La lavadora comienza la agitación inmediatamente después del llenado. La agitación ocurre con la tapa de la lavadora cerrada.

Durante la agitación, el agitador (en algunos modelos) crea una acción continua envolvente que proporciona una limpieza minuciosa de la carga de lavado.



Una vez iniciada la agitación, la perilla del Control de Ciclos gira en el sentido de las manecillas del reloj hasta que apunta hacia un área de OFF (Apagado) y el ciclo termina.

NOTA: La lavadora hace pausas breves a través de cada ciclo. Estas pausas son normales para el funcionamiento de la lavadora.

LAVADO	ENJUAGUE
<p>1. Llena</p>	<p>1. Llena</p>
<p>2. Lava el tiempo seleccionado</p>	<p>2. Enjuaga</p>
<p>3. Desagua* sin agitación</p>	<p>3. Desagua sin agitación</p>
<p>4. Exprime</p>	<p>4. Exprime-enjuaga por rocío</p>
	<p>5. Exprime</p>
<p>*El ciclo de Informal/Planchado permanente desagua parcialmente, llena, agita brevemente y desagua.</p>	<p>6. Apagado</p>

Cómo cargar la lavadora

Sugerencias para seleccionar la carga

Para las cargas de volumen completo aquí sugeridas coloque el selector de LOAD SIZE (Tamaño de carga) en la posición de la carga más grande.

LAVADORAS DE CAPACIDAD EXTRA SUPERIOR

Ropa de trabajo pesado

3 pares de pantalones	1 traje de trabajo
3 camisas	1 overol
4 pares de jeans	

Ropa delicada

3 camisolas	6 prendas interiores
1 bata acolchonada	2 juegos de ropa de dormir
4 fustanes	1 vestido de bebé

Toallas

10 toallas de baño	14 toallas faciales
10 toallas de mano	1 tapete de baño

Carga mixta

3 sábanas matrimoniales	2 camisas
4 fundas	2 blusas
8 camisetas	8 pañuelos
6 pares de shorts	

LAVADORAS DE CAPACIDAD EXTRA GRANDE

Ropa de trabajo pesado

2 pares de pantalones	3 pares de jeans
3 camisas	1 traje de trabajo

Ropa delicada

3 camisolas	6 prendas interiores
4 fustanes	2 camisones

Toallas

8 toallas de baño	10 toallas faciales
8 toallas de mano	1 tapete de baño

Carga mixta

2 sábanas matrimoniales	6 pares de shorts
ó	2 camisas
1 sábana matrimonial "king"	2 blusas
4 fundas	6 pañuelos
6 camisetas	

Sonidos normales

Su nueva lavadora puede producir ruidos que su vieja lavadora no hacía. Como se trata de ruidos con los que usted no está familiarizado, quizás le preocupen. Estos ruidos son normales.

Durante el lavado

Siempre que seleccione un ajuste para una carga pequeña, su lavadora tendrá un nivel de agua más bajo. Esto puede originar un chasquido proveniente de la parte superior del agitador.

Durante el desagüe

Si el agua de su lavadora se desagua rápidamente (dependiendo de su instalación), usted podrá oír el aire succionado a través de la bomba durante la parte final del desagüe.

Después del desagüe y antes del exprimido

Al cambiar el ciclo de desagüe a exprimido, usted podrá oír los engranajes que cambian de velocidad.

Puesta en marcha de su lavadora

⚠ ADVERTENCIA



Peligro de Incendio

Nunca coloque en la lavadora artículos que estén humedecidos con gasolina o cualquier otro líquido inflamable.

Ninguna lavadora puede eliminar completamente el aceite.

No seque ningún artículo que haya tenido alguna vez cualquier tipo de aceite (incluyendo aceites de cocina).

No seguir estas instrucciones puede ocasionar la muerte, explosión o incendio.

⚠ ADVERTENCIA



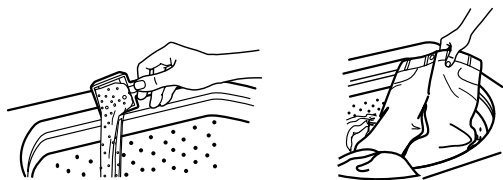
Peligro de Choque Eléctrico

Conecte este aparato con conexión a tierra.

No use extensiones eléctricas.

No seguir estas instrucciones puede ocasionar la muerte, incendio o choque eléctrico.

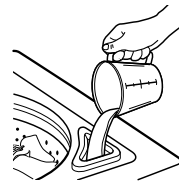
1. Mida el detergente y viértalo en la lavadora. Si desea agregue blanqueador no decolorante en polvo o líquido. Añada más detergente para el ciclo de Lavado Intenso (Super Wash).



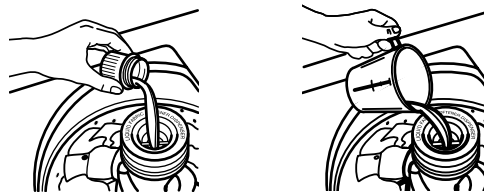
Ponga una carga seleccionada de ropa en la lavadora de manera holgada.

- Cargue la lavadora de manera pareja para mantener el equilibrio de la lavadora. Combine artículos grandes con artículos pequeños.
- Los artículos deben moverse con facilidad en el agua de lavado. Sobrecargar la lavadora puede resultar en una limpieza deficiente.

- Para reducir la formación de arrugas en ropa de planchado permanente y algunos tejidos sintéticos, seleccione un tamaño de carga grande para proporcionar más espacio (vea el paso 5).
2. (OPCIONAL) Vierta una medida de blanqueador líquido con cloro en el depósito de blanqueador líquido con cloro (en algunos modelos). El blanqueador se diluye automáticamente durante la parte de lavado del ciclo.

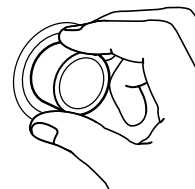


- Nunca utilice más de 1 taza (250 ml) para una carga completa. Use menos para una carga de menor tamaño.
 - Siga las direcciones del fabricante para un uso seguro.
 - Para evitar derrames use una taza con pico vertedor. No deje que el blanqueador salpique, gotee o escurra dentro de la canasta de la lavadora.
 - Use solamente blanqueador líquido con cloro en este depósito.
- NOTA:** En algunos modelos que no tienen depósito de blanqueador, vea "Cómo agregar el blanqueador líquido con cloro".
3. (OPCIONAL) Vierta una medida de suavizante líquido de telas en el depósito de suavizante líquido de telas (en algunos modelos). El suavizante se añade automáticamente durante la parte de enjuague del ciclo.



Diluya el suavizante líquido de telas llenando el depósito con agua tibia hasta que el líquido llegue a la parte en cruz de la abertura.

- No derrame ni deje gotear el suavizante de telas sobre la ropa.
 - Use solamente suavizante líquido de telas en el depósito.
- NOTA:** En algunos modelos que no tienen depósito de suavizante de telas, vea "Cómo agregar el suavizante líquido de telas".
4. Cierre la tapa de la lavadora. La lavadora no agitará ni exprimirá con la tapa abierta.
 5. Gire el selector de LOAD SIZE (Tamaño de carga) a la posición correcta para la carga de ropa y el tipo de tela que va a lavar.



- Seleccione un tamaño de carga que permita que ésta se mueva libremente para lograr un óptimo cuidado de la tela. Vea "Cómo cargar la lavadora".
- Puede cambiar la selección del tamaño de la carga después de que la lavadora haya empezado a llenarse girando el selector a una posición diferente.

Ciclo Soak (Remojo)

Este ciclo presenta períodos breves de agitación y tiempo de remojo para una eliminación de suciedad pesada y manchas que necesitan un tratamiento previo. Utilice agua tibia cuando remoje la ropa. El agua caliente puede fijar las manchas. Use la cantidad de detergente o aditivo especial previo al remojo que el fabricante recomienda. Al finalizar el Ciclo de Soak (Remojo), agregue detergente e inicie un ciclo nuevo de lavado.

Enjuague y exprimido

Cuando utilice detergente adicional para ropa con suciedad profunda o cuando lave artículos que requieren cuidado especial, puede necesitar un enjuague y exprimido adicional.

1. Oprima la perilla de Control de Ciclos y gírela en sentido de las manecillas del reloj a cualquiera de las posiciones de Rinse (Enjuague).
2. Jale la perilla de Control de Ciclos. La lavadora se llena al tamaño de carga seleccionado, agita, desagua y exprime.

NOTA: La opción de Extra Rinse (Enjuague Adicional) está disponible (en algunos modelos). Vea "Puesta en marcha de la lavadora".

Desagüe y exprimido

El desagüe y exprimido pueden acortar el tiempo de secado para algunas telas pesadas o artículos de cuidado especial al quitar el exceso de agua.

1. Presione la perilla del Control de Ciclos y gírela en sentido de las manecillas del reloj hacia cualquier posición de Spin (Exprimido).
2. Jale la perilla del Control de Ciclos. La lavadora desagua y luego exprime.

Cómo agregar el blanqueador líquido con cloro

Mida siempre el blanqueador líquido con cloro. No lo haga al cálculo. Nunca use más de 1 taza (250 ml) para una carga completa de ropa. Siga las instrucciones del fabricante para un uso seguro. Use una taza con un pico vertedor para evitar derrames.

1. Deje que la lavadora se llene y comience a agitar la carga.
2. Agregue el blanqueador durante el ciclo de lavado de modo que pueda eliminarse durante el ciclo de enjuague. Vierta el blanqueador alrededor del agitador, no directamente sobre la ropa.
 - Siga las indicaciones de cuidado mencionadas en las etiquetas de la ropa. No use blanqueador con cloro en artículos de lana, seda, spandex, acetato o algunas telas de combustión lenta.
 - Siempre que emplee blanqueador con cloro en el remojo, agregue detergente al agua de remojo.

NOTA: El blanqueador sin diluir daña cualquier tejido que toque. Estos daños lucen como rasgaduras, agujeros, roturas o decoloraciones y quizás no aparezcan hasta después de varias lavadas.

Cómo agregar el suavizante líquido de telas

Diluya siempre el suavizante de telas con $\frac{1}{2}$ a 1 taza (125 a 250 ml) de agua tibia. El suavizante de telas sin diluir puede manchar las telas.

- Agregue el suavizante líquido de telas únicamente en el enjuague final.
- No debe mezclarse el suavizante de telas con ningún otro producto de lavandería ya que pueden formarse manchas grasosas. Para quitar manchas grasosas, moje la mancha y frótelas con un detergente líquido o una barra de jabón. Vuelva a lavar la prenda.

- El exceso de suavizante de telas puede quitar la capacidad de absorción de algunos productos (pañales y toallas). Si esto sucede, use menos suavizante de telas, o no lo use siempre.

CUIDADO DE LA LAVADORA

Limpieza de su lavadora

Limpieza del exterior

Use un paño o una esponja suave y húmeda para limpiar cualquier derrame, tales como los de detergente o blanqueador. De vez en cuando, limpie el exterior de su lavadora para que se vea como nueva.

Limpieza del interior

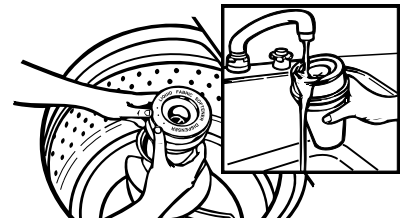
Limpie el interior de su lavadora mezclando 1 taza (250 ml) de blanqueador con cloro y 2 tazas (500 ml) de detergente. Vierta esta mezcla en su lavadora y deje funcionar su lavadora durante un ciclo completo, utilizando agua caliente. Repita este procedimiento si fuera necesario.

NOTA: Para quitar los depósitos endurecidos de agua, utilice únicamente productos de limpieza cuya etiqueta indica que pueden emplearse en lavadoras.

Limpieza del depósito del suavizante líquido de telas

Lave el depósito periódicamente con agua tibia, tal como se ilustra. Quite el depósito, sujetando la parte superior del mismo con ambas manos y apretando y empujando hacia arriba con los pulgares. Limpie el depósito, enjuagándolo con un chorro de agua del grifo. Vuelva a colocarlo en su lugar después de su limpieza.

NOTA: No lave la ropa mientras este depósito esté fuera de su lugar. No agregue detergente o blanqueador en este depósito. Es para el uso exclusivo del suavizante líquido de telas.



Mangueras de entrada del agua

Reemplace las mangueras de entrada después de cinco años para reducir el riesgo de fallas de la manguera. Revise periódicamente y cambie las mangueras de entrada si se hallan protuberancias, torceduras, cortes, desgaste o pérdidas de agua.

Cuando cambie las mangueras de entrada, anote la fecha de reposición en la etiqueta con un marcador permanente.

Cuidado durante las vacaciones, el almacenamiento y las mudanzas

Instale y almacene su lavadora en un lugar donde no se congele. Debido a que queda un poco de agua en las mangueras, el congelamiento de la misma podría dañar su lavadora. Si va a almacenar o trasladar su lavadora durante una temporada de frío excesivo, acondiciónela para el invierno.

Cuidado durante las vacaciones o mientras no esté en uso

Ponga a funcionar su lavadora únicamente cuando esté en casa. Si va a salir de vacaciones o no va a usar la lavadora durante un período prolongado de tiempo, usted debe:

- Desenchufar la lavadora o desconectar el suministro de energía.
- Interrumpir el suministro del agua a la lavadora. Esto ayuda a evitar inundaciones accidentales (debido a aumentos en la presión del agua) durante su ausencia.

Acondicionamiento de su lavadora para el invierno

1. Cierre ambas llaves de agua.
2. Desconecte y elimine el agua de las mangueras de entrada.
3. Vierta 1 cuarto (1 L) de anticongelante tipo R.V. en la canasta.
4. Ponga a funcionar la lavadora en un ajuste de desagüe y exprimido (consulte "Desagüe y exprimido") durante unos 30 segundos para mezclar el anticongelante con el agua.
5. Desenchufe la lavadora o desconecte el suministro de energía.

Para volver a usar la lavadora

1. Deje correr el agua por las tuberías y mangueras.
2. Vuelva a conectar las mangueras de entrada del agua.
3. Abra ambas llaves de agua.
4. Enchufe la lavadora o reconecte el suministro de energía.
5. Ponga a funcionar la lavadora durante un ciclo completo con 1 taza (250 ml) de detergente para eliminar los restos del anticongelante.

SOLUCIÓN DE PROBLEMAS

En primer lugar, pruebe las soluciones sugeridas aquí y posiblemente se evite el gasto de una llamada de servicio técnico...

La lavadora no llena, no enjuaga ni agita

■ Verifique lo siguiente:

¿Está enchufado el cable eléctrico?

¿Está el indicador de la perilla del Control de ciclos debidamente alineado con un ciclo? Gire la Perilla de control de ciclos ligeramente a la derecha y júlela para poner en marcha.

¿Están obstruidos los filtros de la válvula de entrada del agua?

¿Están abiertas las llaves del agua caliente y del agua fría?

¿Está enroscada la manguera de entrada del agua?

■ ¿Parece que el nivel del agua está demasiado bajo, o parece que la lavadora no se llena por completo?

La parte superior del agitador está mucho más alta que el nivel más alto del agua. Esto da la impresión de que la lavadora no se llena por completo. Esto es normal.

■ ¿Está abierta la tapa? La tapa debe estar cerrada durante el funcionamiento. La lavadora no agitará ni exprimirá con la tapa abierta.

La lavadora se detiene

■ Verifique lo siguiente:

¿Está enchufado el cable eléctrico?

¿Está el indicador de la perilla del Control de ciclos debidamente alineado con un ciclo? Gire la Perilla de control de ciclos ligeramente a la derecha y júlela para poner en marcha.

¿Están obstruidos los filtros de la válvula de entrada del agua?

¿Están abiertas las llaves del agua caliente y del agua fría?

¿Está enroscada la manguera de entrada del agua?

■ ¿Hay corriente en el enchufe?

Revise la fuente de electricidad de su hogar o llame a un electricista.

■ ¿Se ha quemado un fusible o se ha disparado el cortacircuitos?

Si el problema continúa, llame a un electricista.

■ ¿Está usando un cable eléctrico de extensión?

No use un cable de extensión.

■ ¿Está la lavadora en una pausa normal durante el ciclo de Informal/Planchado Permanente (Casual/Permanent Press) o Lavado a Mano (Hand Washables)?

La lavadora hace una pausa de unos 2 minutos durante el ciclo de Informal/Planchado Permanente (Casual/Permanent Press). Deje que el ciclo continúe.

El ciclo de Lavado a mano (Hand Washables) (en algunos modelos) presenta períodos de agitación y remojo.

■ ¿Está abierta la tapa? La tapa debe estar cerrada durante el funcionamiento. La lavadora no agitará ni exprimirá con la tapa abierta.

■ ¿Está sobrecargada la lavadora?

Lave cargas más pequeñas.

La lavadora no desagua ni exprime

■ ¿Está obstruida la manguera de desagüe, o el extremo de la manguera de desagüe está a más de 72 pulg. (183 cm) por encima del piso?

Vea las Instrucciones de instalación para la instalación adecuada de la manguera de desagüe.

■ ¿Está abierta la tapa?

La tapa debe estar cerrada durante el funcionamiento. La lavadora no agitará ni exprimirá con la tapa abierta.

■ ¿Hay demasiada espuma?

Siempre mida el detergente. Siga las indicaciones del fabricante. Si tiene agua muy suave, quizás necesite menos detergente.

■ ¿Está bajo el voltaje?

Revise la fuente de electricidad de su hogar o llame a un electricista. No use un cable de extensión.

La lavadora continúa llenando o desaguando, o el ciclo parece estar atascado

■ ¿Está la parte superior de la manguera de desagüe más baja que el nivel de agua en la lavadora?

Para un funcionamiento adecuado, la parte superior de la manguera debe quedar más alta que el nivel del agua en la lavadora. Consulte las Instrucciones de instalación.

■ ¿La manguera de desagüe encaja de manera forzada en el tubo vertical o está adherida con cinta al tubo vertical?

La manguera de desagüe debe estar floja pero debe encajar bien. No selle la manguera de desagüe con cinta adhesiva. La manguera necesita una abertura para el flujo de aire. Consulte las Instrucciones de instalación.

La lavadora hace ruidos

- **¿Está la carga equilibrada y la lavadora nivelada?**
La carga de lavado debe estar equilibrada y sin sobrecarga.
La lavadora debe estar nivelada. Las patas delanteras deben estar debidamente instaladas y las tuercas ajustadas. Reajuste las patas niveladoras traseras (de ser necesario). Consulte las Instrucciones de instalación.
- **¿Ha quitado por completo la cinta amarilla de seguridad con chavetas para la transportación?**
Consulte las Instrucciones de instalación.
- **¿Están cambiando de velocidad los engranajes después del desagüe y antes del exprimido, o está la parte superior del agitador haciendo chasquidos durante el lavado?**
Estos ruidos de la lavadora son normales.

La lavadora pierde agua

- **Verifique lo siguiente:**
¿Están ajustadas las mangueras de llenado? ¿Están debidamente colocadas las arandelas de las mangueras de llenado? ¿Se ha instalado debidamente la abrazadera de la manguera de desagüe? Consulte las Instrucciones de instalación.
- **¿Está obstruido el lavadero o el desagüe?**
El lavabo y el tubo vertical deben tener la capacidad para desplazar 17 gal. (64 L) de agua por minuto.
- **¿Se está desviando el agua fuera del aro del tambor o de la carga?**
Centre el tambor antes de poner la lavadora en marcha.
La carga de lavado debe estar equilibrada y sin sobrecarga. El llenado o los enjuagues por rocío pueden desviarse de la carga.
La lavadora debe estar nivelada. Las patas delanteras deben estar debidamente instaladas y las tuercas ajustadas. Reajuste las patas niveladoras traseras (de ser necesario). Consulte las Instrucciones de instalación.
- **Revise la plomería de la casa y fíjese si hay fugas de agua.**

La canasta de la lavadora está torcida

- **¿Ha jalado hacia adelante la canasta de la lavadora al cargar la ropa?**
La carga de lavado debe estar equilibrada y sin sobrecarga. Empuje la canasta al centro antes de comenzar a lavar.
- **¿Está la carga equilibrada y la lavadora nivelada?**
La carga de lavado debe estar equilibrada y sin sobrecarga.
La lavadora debe estar nivelada. Las patas delanteras deben estar debidamente instaladas y las tuercas ajustadas. Reajuste las patas niveladoras traseras (de ser necesario). Consulte las Instrucciones de instalación.
- **La canasta de la lavadora se mueve durante el lavado.**
Esto es normal.

Funcionamiento del agitador

- **La parte superior del agitador está floja, o se mueve en una sola dirección.**
Esto es normal.

Los depósitos están obstruidos o hay pérdida de blanqueador

- **¿Siguió las instrucciones del fabricante cuando agregó el detergente y el suavizante de telas en los depósitos?**
Mida el detergente y el suavizante de telas. Viértalos con cuidado en el depósito. Limpie todos los derrames.
Diluya el suavizante de telas en el depósito del suavizante de telas.
- **¿Ha puesto blanqueador en polvo o blanqueador no decolorante en el depósito del blanqueador líquido con cloro?**
Agregue el blanqueador en polvo o blanqueador líquido no decolorante directamente en la canasta. No use el depósito del blanqueador líquido con cloro para el blanqueador no decolorante.

Ropa demasiado mojada

- **¿Ha empleado el ciclo correcto para la carga que está lavando?**
Seleccione un ciclo con un exprimido más fuerte (si está disponible).
- **¿Ha usado un enjuague con agua fría?**
Los enjuagues con agua fría dejan la carga más húmeda que los enjuagues con agua tibia. Esto es normal.

Residuos o pelusa en la ropa

- **¿Ha separado la ropa adecuadamente?**
Separe las prendas que sueltan pelusa (toallas, felpilla) de las que atraen pelusa (pana, artículos sintéticos). También separe por color.
- **¿Ha sobrecargado la lavadora?**
La carga de lavado debe estar equilibrada y sin sobrecarga. Si la lavadora está sobrecargada, la pelusa puede quedar adherida a las prendas. Lave cargas más pequeñas.
- **Verifique lo siguiente:**
¿Se dejó papel o servilletas de papel en los bolsillos?
¿Ha usado suficiente detergente? Siga las indicaciones del fabricante. Use suficiente detergente para mantener la pelusa en el agua.
¿Está la temperatura del agua por debajo de 70°F (21°C)? El agua de lavado con una temperatura inferior a 70°F (21°C) quizás no disuelva por completo el detergente.

Manchas en la ropa

- **¿Ha seguido las instrucciones del fabricante cuando agregó el detergente y el suavizante de telas?**
Mida el detergente y el suavizante de telas. Use suficiente detergente para quitar la suciedad y mantenerla en suspensión.
Diluya el suavizante de telas y agréguelo solamente en la porción de enjuague del ciclo. No deje escurrir el suavizante de tejidos sobre la ropa.
- **¿Hay hierro (óxido) por encima del promedio en el agua?**
Tal vez necesite instalar un filtro de óxido ferroso.
- **¿Ha separado la ropa adecuadamente?**
Separe las prendas de color oscuro de las blancas y claras.
- **¿Ha descargado la lavadora con rapidez?**
Para evitar la transferencia de tintes, descargue la lavadora tan pronto como se detenga.

La ropa está arrugada

- **¿Ha descargado la lavadora con rapidez?**
Descargue la lavadora tan pronto como se detenga.
- **¿Ha empleado el ciclo correcto para la carga que está lavando?**
Use el ciclo Informal/Planchado permanente u otro ciclo con bajas velocidades de exprimido (si está disponible) para reducir arrugas.
- **¿Ha sobrecargado la lavadora?**
La carga de lavado debe estar equilibrada y sin sobrecarga. Las prendas deben moverse con facilidad durante el lavado.

Use una carga de tamaño grande para proporcionar mayor espacio y de esta manera reducir las arrugas en las prendas de planchado permanente y algunos tejidos sintéticos.
- **¿Estaba el agua de lavado suficientemente tibia como para suavizar las arrugas, o está enjuagando con agua tibia?**
Si no va a afectar las prendas, use agua tibia o caliente para el lavado. Para el enjuague, emplee agua fría.
- **¿Se han invertido las mangueras del agua caliente y del agua fría?**
Cerciórese de que las mangueras del agua caliente y del agua fría estén conectadas a las llaves correctas. Consulte las Instrucciones de instalación.

La ropa está enredada o enroscada

- **¿Ha sobrecargado la lavadora?**
La carga de lavado debe estar equilibrada y sin sobrecarga. Las prendas deben moverse con facilidad durante el lavado.
- **¿Ha enrollado las prendas alrededor del agitador?**
Ponga los artículos de manera suelta en la lavadora. No enrolle los artículos alrededor del agitador.

Ropa blanca percutida y colores opacos

- **¿Ha separado la ropa adecuadamente?**
Siempre que mezcle ropa blanca y de color en una carga puede ocurrir una transferencia de tintes. Separe las prendas de color oscuro de las blancas y claras.
- **¿Estaba la temperatura del agua demasiado baja?**
Para lavar use agua caliente o tibia que no afecte la ropa. Cerciórese de que el sistema de agua caliente sea el adecuado para proveer un lavado con agua caliente.
- **¿Ha usado suficiente detergente, o tiene agua dura?**
Use más detergente cuando lave prendas muy sucias en agua fría o dura.
- **¿Se han invertido las mangueras del agua caliente y del agua fría?**
Cerciórese de que las mangueras del agua caliente y del agua fría estén conectadas a las llaves correctas. Consulte las Instrucciones de instalación.

La temperatura de lavado/enjuague no es la que yo seleccioné

- **¿Se han invertido las mangueras de entrada del agua caliente y del agua fría?** Para obtener más información, vea las Instrucciones de Instalación. A medida que aumente la frecuencia de lavado de las cargas, es posible que disminuya la temperatura para las selecciones de temperatura de agua caliente y tibia. Esto es normal.

Prendas deterioradas

- **Verifique lo siguiente:**
¿Se han quitado los artículos puntiagudos de los bolsillos antes del lavado? Vacíe los bolsillos, cierre los cierres, los broches de presión y los corchetes antes del lavado.

¿Se ataron los cordones y fajas para evitar que se enreden?

¿Se dañaron las prendas antes del lavado? Remiende lo que esté roto y descosido antes del lavado.
- **¿Ha sobrecargado la lavadora?**
La carga de lavado debe estar equilibrada y sin sobrecarga. Las prendas deben moverse con facilidad durante el lavado.
- **¿Ha agregado correctamente el blanqueador con cloro?**
No vierta el blanqueador con cloro directamente en la carga. Limpie los derrames del blanqueador. El blanqueador no diluido daña los tejidos.
- **¿Ha seguido las instrucciones de la etiqueta de cuidado proporcionadas por el fabricante?**

AYUDA O SERVICIO TÉCNICO

Si necesita ayuda o servicio técnico, por favor consulte la sección "Solución de problemas". Si considera que aún necesita ayuda, siga las instrucciones detalladas a continuación.

Si necesita piezas de repuesto

Si necesita pedir piezas de repuesto, recomendamos que utilice únicamente piezas especificadas de fábrica. Estas piezas encajarán bien y funcionarán debidamente ya que se fabrican con la misma precisión empleada en la fabricación de cada nuevo electrodoméstico WHIRLPOOL®. Para conseguir piezas especificadas de fábrica en su localidad, llame al distribuidor donde adquirió la lavadora o a un centro de servicio autorizado de Whirlpool.

NOTA: Si el cordón eléctrico está dañado, debe sustituirlo por un cordón especial que podrá adquirir en el establecimiento donde compró la lavadora o en un centro de servicio autorizado de Whirlpool.

Para obtener información acerca de la garantía

Póngase en contacto con el distribuidor donde adquirió su lavadora.

8539782

© 2003 Whirlpool Corporation.
All rights reserved.
Todos los derechos reservados.

© Registered Trademark/TM Trademark of Whirlpool, U.S.A.
©Marca registrada/TM marca de fábrica de Whirlpool, EE. UU.

11/03
Printed in U.S.A.
Impreso en EE. UU.