

This Owner's Manual is provided and hosted by [Appliance Factory Parts](#).



GE ZBD8900P10II Owner's Manual

[Shop genuine replacement parts for GE ZBD8900P10II](#)



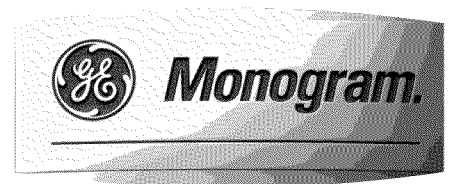
[Find Your GE Dishwasher Parts - Select From 6722 Models](#)

----- Manual continues below -----

Installation Instructions

Built-In Dishwashers

*Custom front panel models include a kit that contains a template, hardware and panel installation instructions. Refer to the kit instructions when installing the custom panel.



31-30246

10-08 JR

Safety Information

BEFORE YOU BEGIN

Read these instructions completely and carefully.

- **IMPORTANT** – Save these instructions for local inspector’s use. Observe all governing codes and ordinances.
- **Note to Installer** – Be sure to leave these instructions with the Consumer.
- **Note to Consumer** – Keep these instructions with your Owner’s Manual for future reference.
- **Skill Level** – Installation of this dishwasher requires basic mechanical and electrical skills. **Proper installation is the responsibility of the installer. Product failure due to improper installation is not covered under the GE Appliance Warranty.**
- **Completion Time – 1 to 3 Hours.**
New installations require more time than replacement installations.

• **IMPORTANT** – The dishwasher **MUST** be installed to allow for future removal from the enclosure if service is required.

If you received a damaged dishwasher, you should immediately contact your dealer or builder.

**READ CAREFULLY.
KEEP THESE INSTRUCTIONS.**

FOR YOUR SAFETY

Read and observe all **CAUTION** and **WARNINGS** shown throughout these instructions.

While performing installations described in this booklet, gloves, safety glasses or goggles should be worn.

For Monogram local service in your area, 1.800.444.1845.

For Monogram parts and accessories, call 1.800.626.2002.

For Monogram parts and accessories in Canada, call 1.800.561.3344.

CONTENTS

Installation Preparation

Parts Supplied.....	3
Materials You Will Need	3
Tools You Will Need	3
Advance Planning	4
Prepare Dishwasher Enclosure.....	4
Prepare Drain Plumbing.....	5
Prepare Electrical Wiring	6
Prepare Hot Water Line	7

Installation Instructions

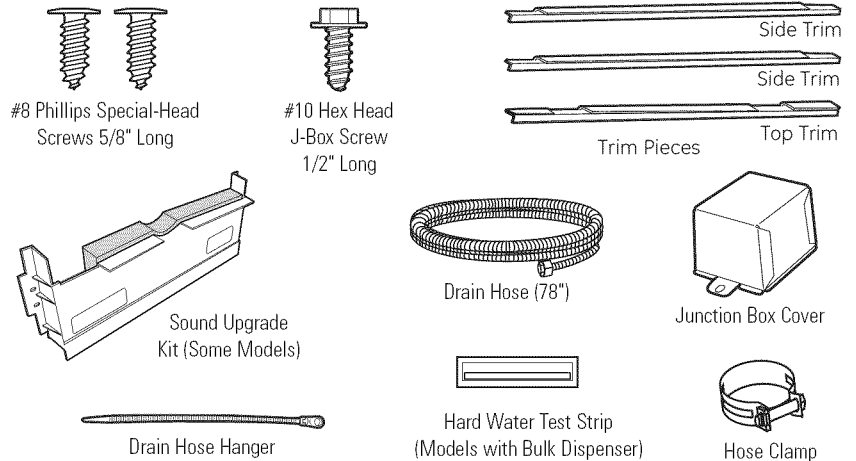
Step 1, Locate Installation Items	7
Step 2, Install Trim Pieces	7
Step 3, Check Door Balance.....	8
Step 4, Remove Wood Base, Install Leveling Legs	8
Step 5, Remove ToeKick.....	8
Step 6, Remove ToeKick Brace	8
Step 7, Install Power Cord	9

Step 8, Install 90° Elbow.....	9
Step 9, Position Water Line and Housing Wiring	9
Step 10, Install Drain Hose to Dishwasher Drain Port.....	9
Step 11, Insert Drain Hose Through Cabinet.....	10
Step 12, Slide Dishwasher Three-Fourths of the Way Into Cabinet.....	10
Step 13, Slide Dishwasher Into Final Position	10, 11
Step 14, Level Dishwasher	11
Step 15, Secure Dishwasher to Countertop or Cabinet	12
Step 16, Connect Water Supply	12
Step 17, Connect Drain Line	13
Step 18, Connect Power Supply	14
Step 19, Pretest Checklist	14
Step 20, Dishwasher Wet Test	15
Step 21, Set Water Hardness	15
Step 22, Install Sound Upgrade Kit if Equipped	15
Step 23, Install ToeKick	Back Cover
Step 24, Literature	Back Cover

Installation Preparation

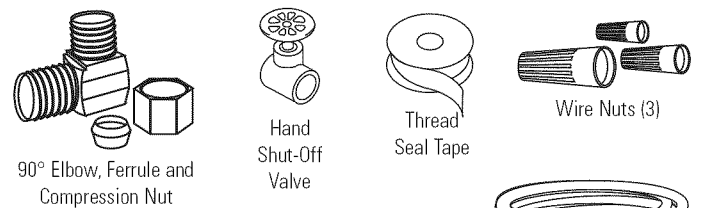
PARTS SUPPLIED:

- Two #8-18 x 5/8" Phillips special-head screws, to secure dishwasher to underside of countertop or sides of cabinets.
- Junction box cover and #10-1/2" hex head screw
- Side and top trim
- Sound upgrade kit (some models)
- Drain hose (78"), drain hose hanger and hose clamp
- Literature, Product Samples and/or coupons
- Hard water test strip (Models with Bulk Dispenser)



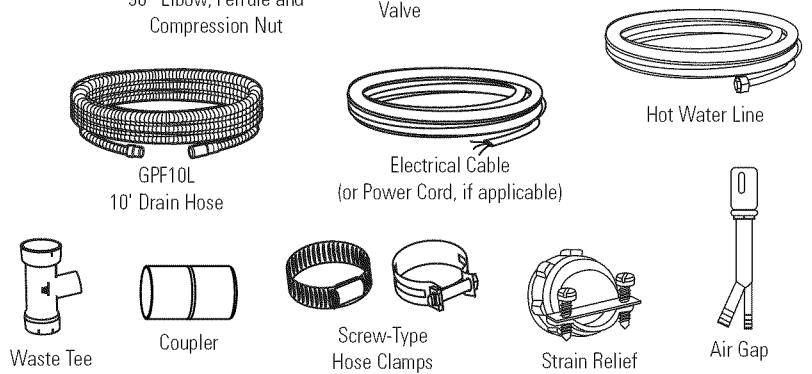
MATERIALS YOU WILL NEED:

- Ferrule, compression nut and 90° Elbow (3/8" NPT external thread on one end, opposite end sized to fit water supply)
- Thread seal tape
- UL-Listed wire nuts (3)



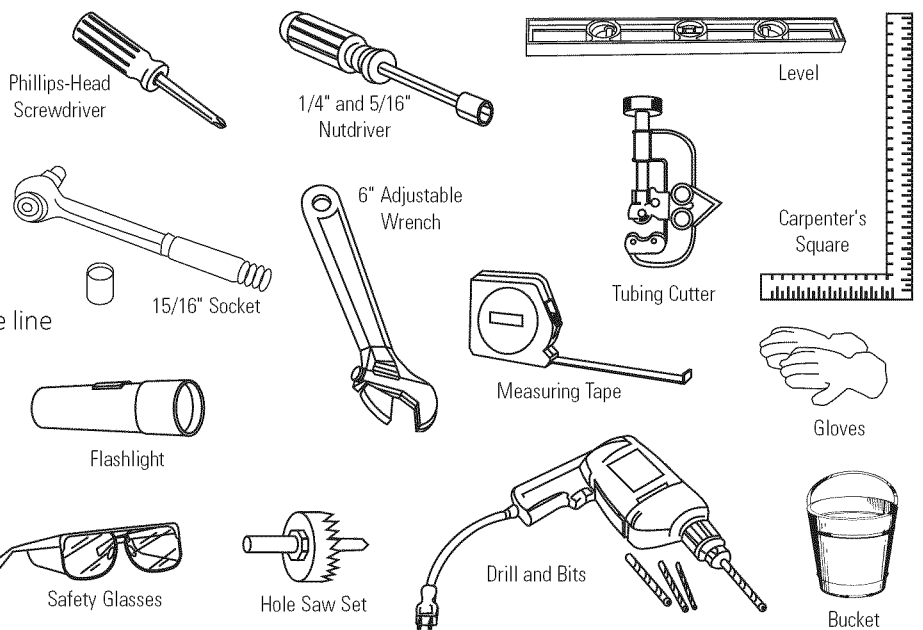
Materials For New Installations Only:

- Air gap for drain hose, if required
- Waste tee for house plumbing, if applicable
- Electrical cable or power cord, if applicable
- Screw-type hose clamps
- Strain relief for electrical connection
- Hand shut-off valve
- Water line 3/8" min. copper
- Coupler for extending drain line, if applicable
- GPF10L 10' drain hose, if needed



TOOLS YOU WILL NEED:

- Phillips-head screwdriver
- 5/16" and 1/4" nutdriver
- 6" Adjustable wrench
- Level
- Carpenter's square
- Measuring tape
- Safety glasses
- Flashlight
- Bucket to catch water when flushing the line
- 15/16" socket (optional for skid removal)
- Gloves



For New Installations Only:

- Tubing cutter
- Drill and appropriate bits
- Hole saw set

Installation Preparation

ADVANCE PLANNING

- These dishwashers are designed for versatility, adaptable to virtually any installation.
- All models have a full-length door without the traditional access panel.
- These dishwashers may be installed beneath countertops of stone or other materials that will not accept screws. No trim kit required.

PREPARE DISHWASHER ENCLOSURE

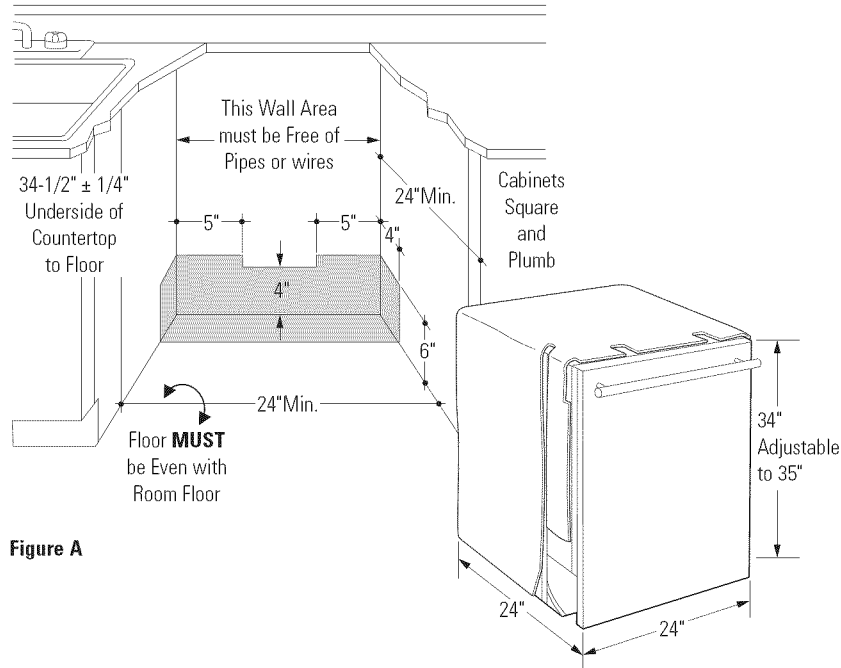


Figure A

*Dishwasher models ZBD6900PII and ZBD8900PII require a 3/4" thick custom panel and will be 24-3/4" deep.

- The rough cabinet opening must be at least 24" deep, 24" wide and approximately 34-1/2" high from floor to underside of the countertop.
- The back wall should be free of pipes or wires.
- Adjacent cabinets should be square and plumb to ensure a good fit (Figure A).
- For a corner installation, allow 2" minimum clearance between the dishwasher and the adjacent wall.
- Plumbing and electrical service must enter the shaded area.
- The dishwasher must be installed so that the drain hose is no more than 10 feet in length for proper drainage.
- Provide at least 28-3/8" in front of the dishwasher to allow the dishwasher door to open fully (Figure B).
- Make sure the floor is level inside the opening and even with the finished floor of the kitchen. This will facilitate removal of the dishwasher at a later date for service, if needed.

⚠ WARNING

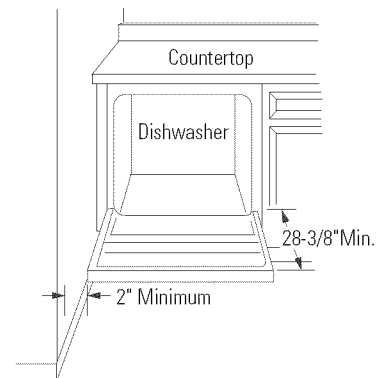
To reduce the risk of electric shock, fire, or injury to persons, the installer must ensure that the dishwasher is completely enclosed at the time of installation.

Special consideration for a dishwasher installed on an elevated platform

The elevated platform must be flat and level.

- The dishwasher must be installed no more than 10 feet from a sink for proper drainage.
- The dishwasher must be fully enclosed on the top, sides and back.
- The dishwasher must not support any part of the enclosure.

Figure B



CLEARANCES: In a corner installation, provide at least 2" clearance between the dishwasher and the adjacent cabinet, wall or other appliance.

Provide at least 28-3/8" of clearance in front of the dishwasher (Figure B).

Installation Preparation

PREPARE DRAIN PLUMBING

Drain Requirements

- Drain hose must not exceed 10 feet in length.
- A high drain loop or air gap is required. See below.

Drain Method

The type of drain installation depends on the following:

- Do local codes or ordinances require an air gap?
- Is waste tee less than 18" above the floor?

If the answer to either question is **yes**, an air gap must be used. Refer to **Method 1** (Figure C) in the adjacent illustrations.

If both answers are **no**, either an air gap or high drain loop may be used. Refer to **Method 1** (Figure C) or **Method 2** (Figure D) in the adjacent illustrations.

NOTE: Drain hose elevation must not exceed 48".

Special consideration for a dishwasher installed on an elevated platform

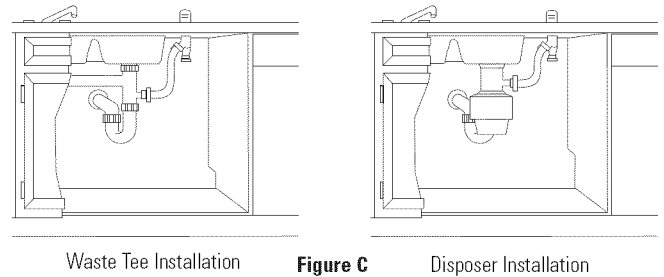
If the dishwasher is installed on an elevated platform, a high drain loop of at least 32" above the platform must be provided in addition to the air gap or drain loop requirement determined above. This is necessary for proper drain performance.

CAUTION: An air gap MUST BE USED if the drain hose is connected to waste tee or disposer lower than 18" above the floor level. Failure to provide the proper drain connection height with an air gap or 32" minimum high drain loop will result in improper draining of the dishwasher, which may cause damage.

Cabinet Preparation for drain line

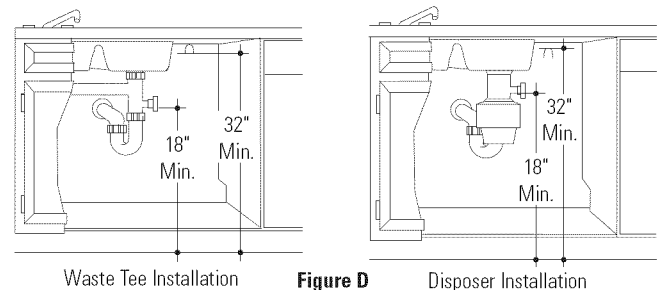
Drill a 1-1/2" dia. hole in the cabinet wall within the shaded areas shown in Figure A for the drain hose. Make sure there are no sharp edges. The drain hose will be passed through this hole and connected to the drain in a later step.

Method 1—Air Gap with Waste Tee or Disposer

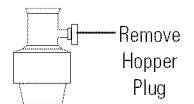


Method 2—"High Drain Loop" with Waste Tee or Disposer

Use the drain hose hanger included in the installation kit to attach the drain hose to the underside of the countertop. Attachment will be made in a later step. Install waste tee or disposer and the air gap according to the manufacturer's instructions.



IMPORTANT – When connecting drain line to disposer, check to be sure that drain plug has been removed. **DISHWASHER WILL NOT DRAIN IF PLUG IS LEFT IN PLACE.**



Installation Preparation

PREPARE ELECTRICAL WIRING



WARNING

FOR PERSONAL SAFETY: Remove house fuse or open circuit breaker before beginning installation. Do not use an extension cord or adapter plug with this appliance.

Electrical Requirements

- This appliance must be supplied with 120V, 60 Hz. and connected to an individual properly grounded branch circuit, protected by a 15- or 20-ampere circuit breaker or time-delay fuse.
- Wiring must be 2-wire with ground and rated for 75°C (176°F).
- If the electrical supply does not meet the above requirements, call a licensed electrician before proceeding.

Grounding Instructions—Permanent Connection

This appliance must be connected to a grounded metal, permanent wiring system, or an equipment-grounding conductor must be run with the circuit conductors and be connected to the equipment-grounding terminal or lead on the appliance.

Grounding Instructions—Power Cord Models

This appliance must be grounded. In the event of a malfunction or breakdown, grounding will reduce the risk of electric shock by providing a path of least resistance for electric current. This appliance is equipped with a cord having an equipment-grounding conductor and a grounding plug. The plug must be plugged into an appropriate outlet that is installed and grounded in accordance with all local codes and ordinances.



WARNING

The improper connection of the equipment-grounding conductor can result in a risk of electric shock. Check with a qualified electrician or service representative if you are in doubt that the appliance is properly grounded.

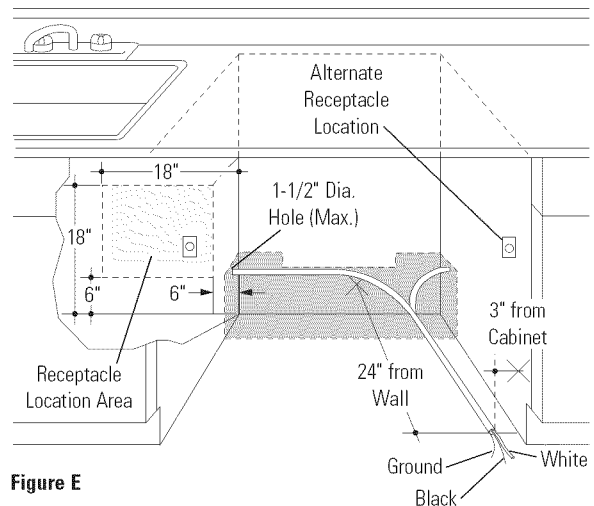


Figure E

For models equipped with power cord: Do not modify the plug provided with the appliance; if it will not fit the outlet, have a proper outlet installed by a qualified technician.

Cabinet Preparation and Wire Routing

- The wiring may enter the opening from either side, rear or the floor within the shaded area dimensioned in Figure A and illustrated above.
- Cut a 1-1/2" max. dia. hole to admit the electrical cable. Cable direct connections may pass through the same hole as the drain hose and hot water line, if convenient. If cabinet wall is metal, the hole edge must be covered with a bushing.

NOTE: Power cords with plug must pass through a separate hole.

Electrical Connection to Dishwasher

Electrical connection is on the right front of dishwasher.

- For cable direct connections the cable must be routed as shown in Figure E. Cable must extend a minimum of 24" from the rear wall.
- For power cord connections, install a 3-prong grounding-type receptacle in the sink cabinet rear wall, 6" min. or 18" max. from the opening, 6" to 18" above the floor. The receptacle must be accessible and therefore cannot be installed in the back wall of the dishwasher enclosure.

Installation Instructions

PREPARE HOT WATER SUPPLY

Hot Water Line

- The line may enter from either side, rear or floor within the shaded area shown in Figure F.
- The line may pass through the same hole as the electrical cable and drain hose, or an additional 1-1/2" diameter hole may be cut to accommodate the water line. If a power cord with plug is used, the water line must not pass through the power cord hole.

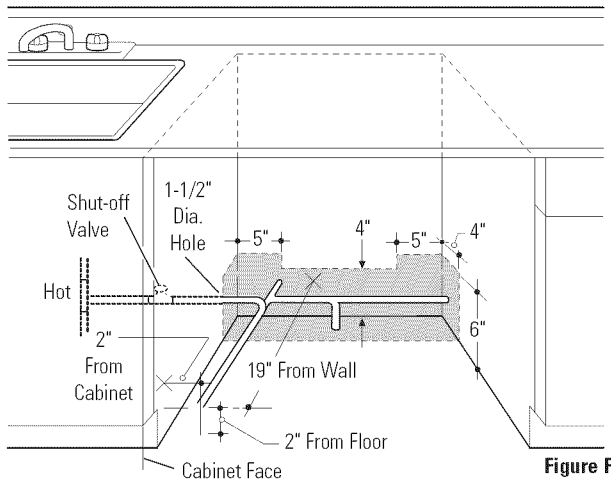


Figure F

Water Line Connection

- Turn off the water supply.
- Install a hand shut-off valve in an accessible location, such as under the sink. (Optional, but strongly recommended and may be required by local codes.)
- The water connection is on the bottom left side of the dishwasher. Install the hot water inlet line, using 3/8" or larger copper tubing. Route the line as shown in Figure F and extend forward at least 19" from rear wall.
- Adjust the water heater to deliver water between 120°F and 150°F.
- Flush water line to clean out debris. Use a bucket to catch water and debris.
- The hot water supply line pressure must be between 20 and 120 PSI.

STEP 1 LOCATE INSTALLATION ITEMS

- Locate the items in the installation package and set aside for use in the listed steps.
- Trim pieces – Step 2
- Junction box cover – Step 7 or Step 18
- Drain hose and clamp – Step 10
- Screw kit – Step 15
- Drain hose hanger – Step 17
- Owner's Manual – Step 19 and Step 24
- Hard water test strip – Step 21
- Sound upgrade kit (selected models) – Step 22
- Product samples and/or coupons – Step 24

STEP 2 INSTALL TRIM PIECES

In this step, you will need the trim pieces set aside in Step 1.

- Press top trim piece onto top of tub flange. Start with the right edge and work your way to the left.
- Repeat process with the left and right trim pieces working from the top down.
- Open and close the door to check that trim does not bind and does not interfere with door latch or door hinges.

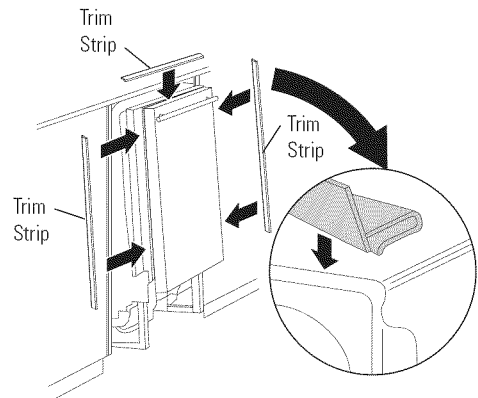


Figure G

CAUTION

The hot water supply line pressure must be at least 20 PSI. Lower pressures could cause the water valve to leak and cause water damage.

CAUTION

Do not remove wood base until you are ready to install the dishwasher. The dishwasher will tip over when the door is opened if the wood base is removed.

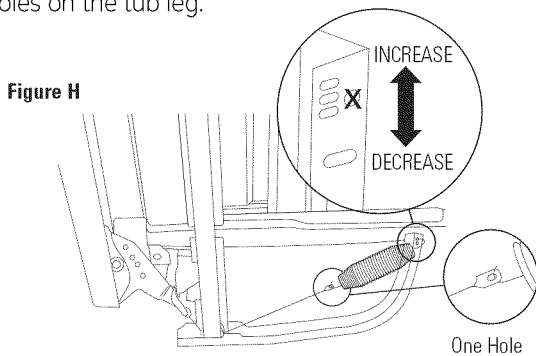
Installation Instructions

STEP 3 CHECK DOOR BALANCE

- With dishwasher on the wood skid, check the door balance by opening and closing the door.
- If the door drops when released, increase the spring tension. If the door rises when released, decrease the tension.
- There are two types of counter balance and therefore two methods of adjustment. Identify which counter balance is present and adjust tension accordingly. Please note: if there are 3 holes on the cable, use the cable to adjust; if there is one hole on cable use the tub leg to adjust.

Type 1 – One-hole cable

Adjust tension by moving spring hook to one of the three holes on the tub leg.



Type 2 – Three-hole cable

Adjust tension by moving spring hook to one of the three holes on the pulley cable.

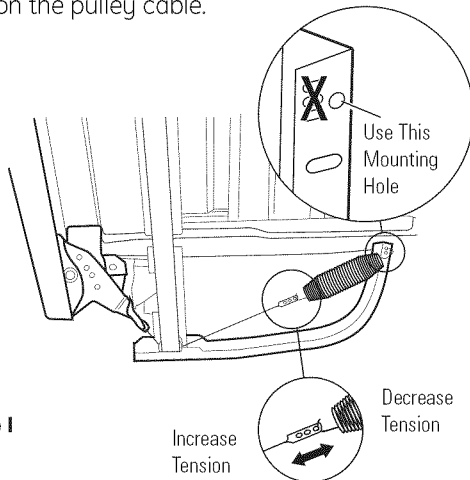
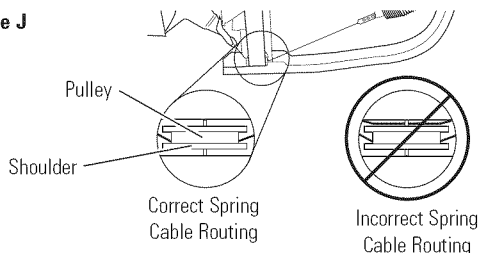


Figure I

After adjusting spring tension, open and close the door to make sure the door operates smoothly. If the door is hard to move or if the spring cable binds, check the routing of the spring cable. The cable should be routed between the shoulders of the pulley cable roller. If the cable is off the roller: latch door, remove spring tension and route the cable between the shoulders of the roller. See Figure J.

Figure J



STEP 4 REMOVE WOOD BASE, INSTALL LEVELING LEGS

IMPORTANT – Do not kick off wood base! Damage will occur.

- Move the dishwasher close to the installation location and lay it on its back.
- Remove the four leveling legs on the underside of the wood base with an adjustable wrench or 15/16" socket.
- Discard base.

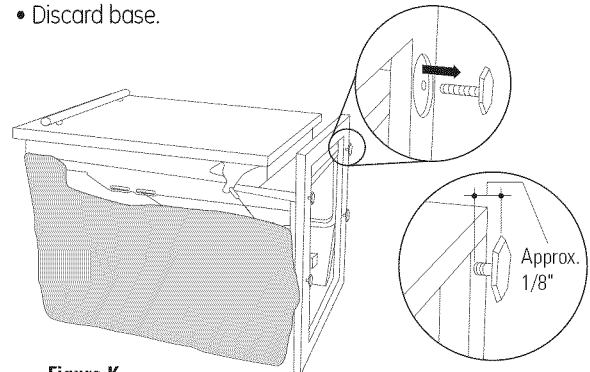


Figure K

- Screw leveling legs back into the dishwasher frame approximately 1/8" from frame as shown.

STEP 5 REMOVE TOEKICK

- Remove the 2 toekick screws and toekick. Set aside for use in Step 23.

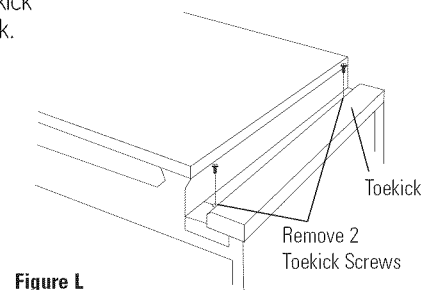


Figure L

STEP 6 REMOVE TOEKICK BRACE

Skip this step if your model does not have a sound upgrade kit. If your model does have a sound upgrade kit, this brace must be removed.

- Remove the 2 toekick brace screws and toekick brace. Discard brace and set screws aside for use in Step 22.

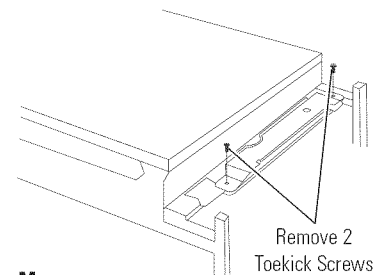


Figure M

Installation Instructions

STEP 7 INSTALL POWER CORD

Skip this step if dishwasher will be permanently connected to the house electrical system.

In this step you will need the junction box cover and the #10 x 1/2" hex head screw from the screw kit set aside in Step 1.

The power cord and connections must comply with the National Electrical Code, Section 422 and/or local codes and ordinances. Maximum power cord length is 6 feet. Power Cord Kit WX09X70910, available for purchase from an authorized GE Appliance Dealer, meets these requirements.

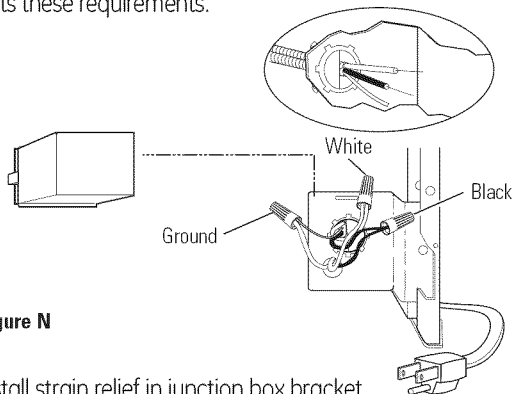


Figure N

- Install strain relief in junction box bracket.
- Insert power cord through strain relief and tighten.
- Make sure black, white and green dishwasher wires are threaded through small hole in junction box bracket.
- Connect like-colored dishwasher and power cord wires. If power cord wires are not color coded, connect the ribbed power cord wire to the white dishwasher wire, the smooth power cord wire to the black dishwasher wire and the ground to the green dishwasher wire. Use UL-listed wire nuts of appropriate size.
- Install junction box cover set aside in Step 1, using #10 hex head screw. Be sure wires are not pinched under the cover.

STEP 8 INSTALL 90° ELBOW

- Wrap 90° elbow with thread seal tape.
- Install a 90° elbow onto the water valve.

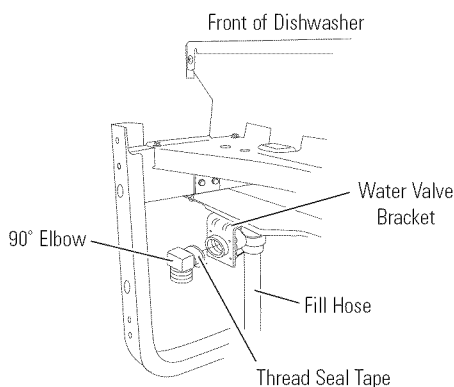


Figure O

- Do not overtighten 90° elbow, water valve bracket could bend or water valve fitting could break.
- Position the end of the elbow to face the rear of the dishwasher.

STEP 9 POSITION WATER LINE AND HOUSING WIRING

- Position water supply line and house wiring on the floor of the enclosure to avoid interference with base of dishwasher and components under dishwasher.

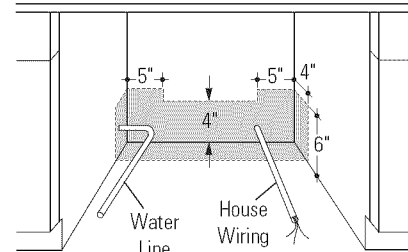


Figure P

STEP 10 INSTALL DRAIN HOSE TO DISHWASHER DRAIN PORT

In this step you will need the drain hose and clamp set aside in Step 1.

- Stand the dishwasher upright.
- Place drain hose clamp over 1-3/16" inside diameter end of drain hose with the clamp screw positioned on the bottom of the hose.

IMPORTANT – Prevent drain hose damage and possible leaks. Be careful not to nick or cut the drain hose.

- Push the end of the drain hose over the drain pump outlet being careful not to disturb the check valve. Refer to Figure Q.
- Seat the drain hose end against the hose stops on the pump outlet.
- Position hose clamp against the front lip of the drain hose and tighten clamp.

NOTE: Drain hose supplied with dishwasher is approximately 78" long. If a longer hose is needed, a 120" long hose (10 feet) may be purchased from an authorized GE appliance dealer. The 10' long hose is part number **GPF10L**.

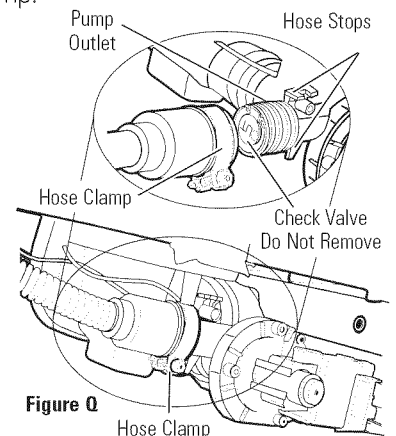


Figure Q

Tip for leak-free connections:

- Insert hose against stop on pump.
- Position clamp against front lip of drain hose.
- Tighten clamp to at least 15 inch-pounds of torque.

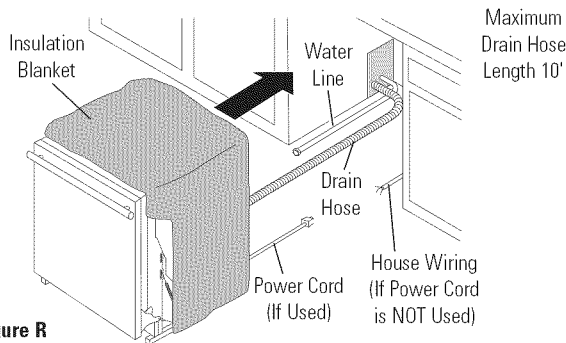
Tip for quiet drain pump operation:

Position hose clamp with clamp screw on the bottom side of the hose. This will prevent the clamp from coming in contact with the rear brace. Clamp contact with the rear brace could create noise when the drain pump is running.

Installation Instructions

STEP 11 INSERT DRAIN HOSE THROUGH CABINET

- Position dishwasher in front of cabinet opening. Insert drain hose into the hole in cabinet side. If a power cord is used, guide the end through a separate hole.

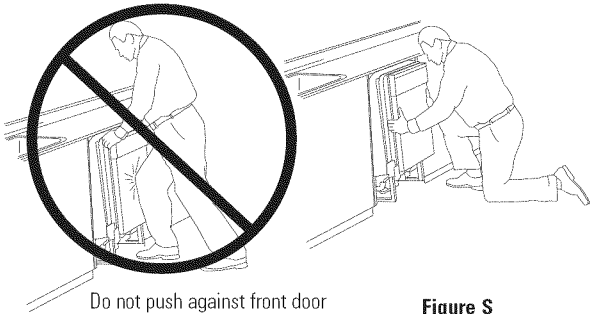


TIP: Position water line and house wiring on the floor to avoid interference with base of dishwasher.

STEP 12 SLIDE DISHWASHER THREE-FOURTHS OF THE WAY INTO CABINET

IMPORTANT – DO NOT PUSH AGAINST FRONT PANEL WITH KNEES. DAMAGE WILL OCCUR.

- Grasp the dishwasher by its sides and slide it into the opening a few inches at a time.

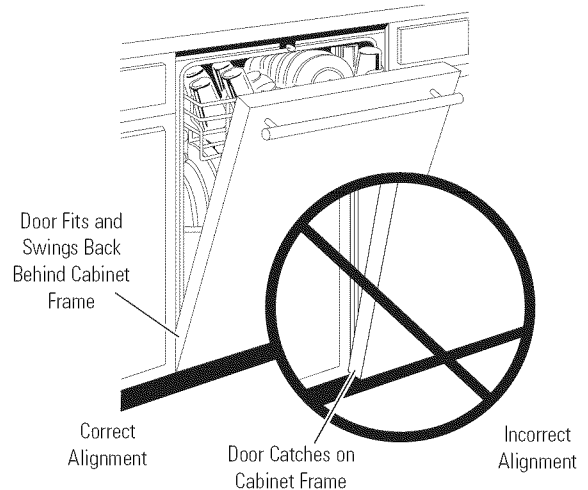


- As you proceed, pull the drain hose through the opening under the sink. Stop pushing when the front of the dishwasher is a few inches forward of adjacent cabinets.
- Make sure drain hose is not kinked under the dishwasher and there is no interference with the water line, wiring or any other component.

TIP: Make sure the dishwasher will fit in the cabinet. Check to be sure the power cable, drain hose, and hot water line are not trapped behind the dishwasher. Utility lines trapped behind the dishwasher prevent the dishwasher from being pushed fully into the enclosure.

STEP 13 SLIDE DISHWASHER INTO FINAL POSITION

- Push the dishwasher the rest of the way into the cabinet.
- Push the sides with your hands. Do not push the dishwasher with your knee, as this will damage the door.
- Check that the tub insulation blanket does not get "bunched-up" or interfere with the springs as you slide it into the cabinet.
- Center the dishwasher in the opening.
- Front of door panel should be flush with face of cabinet.
- Carefully open and close the door to ensure that the door panel does not catch or rub on the cabinet frame. Refer to Figure T below.
- If the door catches or rubs on the frame, reposition and/or level the unit (see Step 14) until the door moves freely and does not contact the cabinet frame.



Installation Instructions

STEP 13 SLIDE DISHWASHER INTO FINAL POSITION (cont.)

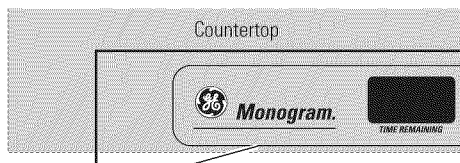
Special Considerations for Positioning

The controls on these models are designed to be hidden by your countertop. Align the dishwasher as shown in Figure U. Leave a 1/2" minimum gap between the underside of the countertop and the top of the dishwasher door as shown in Figure V.

Use the leveling legs to increase or decrease the amount of gap between the controls and the countertop.

IMPORTANT – Leave a 1/2" minimum gap between the controls and the underside of the countertop to prevent condensation and damage to the control panel from screw heads.

Figure U



Controls Hidden by
Countertop

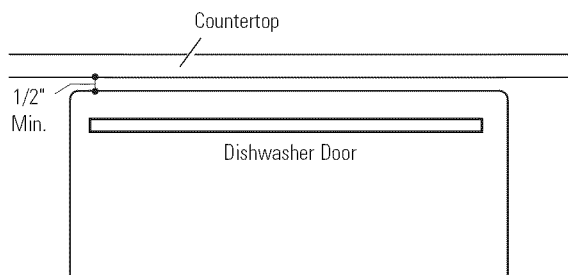


Figure V

STEP 14 LEVEL DISHWASHER

IMPORTANT – Dishwasher must be level for proper dish rack operation and wash performance.

- Make sure 1/2" minimum gap is maintained.
- Place level on door to check that the dishwasher is level side to side. Remove lower rack, place level on lower rack track inside tub to check that the dishwasher is level front to back.

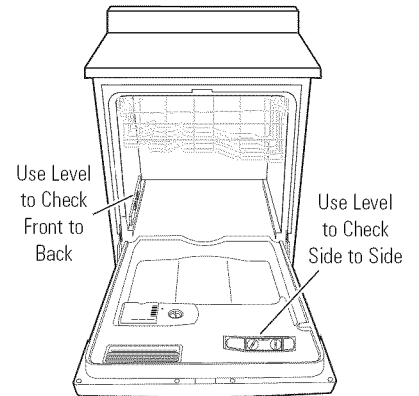


Figure W

- If the dishwasher is not level, adjust the four leveling legs as illustrated in Figure X.
- If adjustment to the right rear leveling leg is required, access it by loosening the junction box bracket screw (through the access hole) and rotate bracket clockwise.

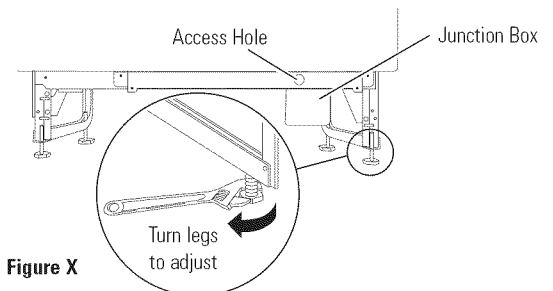


Figure X

- The dishwasher is properly leveled when the level indicator is centered left to right and front to back. The dishwasher door should close without hitting the sides of the tub.
- Replace the lower rack when leveling is complete.

TIP: Avoid unnecessary service charges for poor wash performance and rack operation.

Pull the dish racks halfway out. They should remain stationary. Open and close the door. The door should fit in the tub opening without hitting the side of the tub. If the racks roll on their own, or the door hits the side of the tub, relevel the dishwasher.

IMPORTANT – After leveling, verify that the dishwasher is centered in the enclosure and the door does not hit adjacent cabinets.

Installation Instructions

STEP 15 SECURE DISHWASHER TO COUNTERTOP OR CABINET

In this step you will need the 2 Phillips special-head screws set aside in Step 1.

The dishwasher must be secured to the countertop or the cabinet sides. When countertops are made of wood, use Method 1. When countertops are granite or other materials that will not accept screws, use Method 2 to secure dishwasher at the sides.

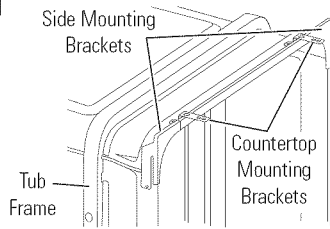


Figure Y

IMPORTANT – Avoid unnecessary service charges. Drive screws straight and flush. Protruding screw heads will scratch the top or sides of the control panel and can interfere with door closing.

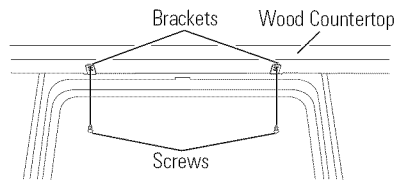


Figure Z

Method 1—Secure dishwasher to wood countertop

- Fasten the dishwasher to the underside of the countertop with 2 Phillips special-head screws provided.

Method 2—Secure dishwasher with side-mounting brackets

- Remove plug buttons (one on each side).
- Install screws through the dishwasher side mount bracket and into the adjacent cabinet on each side. Reinstall plug buttons.

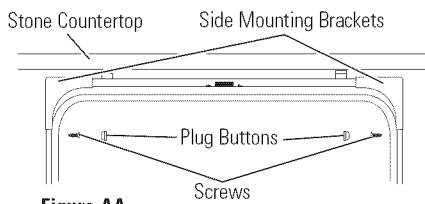


Figure AA

Either Method—Make certain 1/2" gap minimum is maintained.

- When step is complete, close dishwasher door and verify that gap between countertop and top of dishwasher door is at least 1/2".

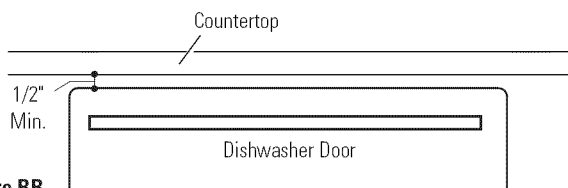


Figure BB

STEP 16 CONNECT WATER SUPPLY

Connect water supply line to 90° elbow.

- Slide compression nut, then ferrule over end of water line.
- Insert water line into 90° elbow.
- Slide ferrule against elbow and secure with compression nut.

IMPORTANT – Check to be sure that door spring does not rub or contact the fill hose or water supply line. Test by opening and closing the door. Reroute the lines if a rubbing noise or interference occurs.

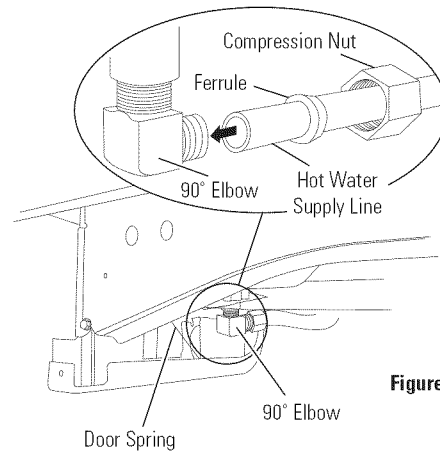


Figure CC

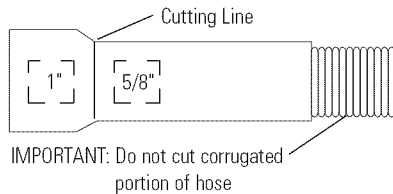
Installation Instructions

STEP 17 CONNECT DRAIN LINE

The molded end of the drain hose will fit 5/8" through 1" diameter inlet ports on the air gap, waste tee or disposer.

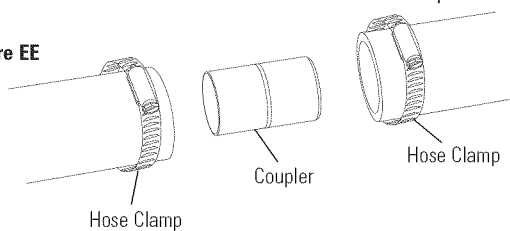
- Determine size of inlet port.
- Cut drain hose connector on the marked line, if required, to fit the inlet port.

Figure DD



- If a longer drain hose is required, and you did not purchase 10' long GPF10L drain hose, add up to 3-1/2' of length for a total of 10' to the factory installed hose. Use 5/8" or 7/8" inside diameter hose and a coupler to connect the two hose ends. Secure the connection with hose clamps.

Figure EE



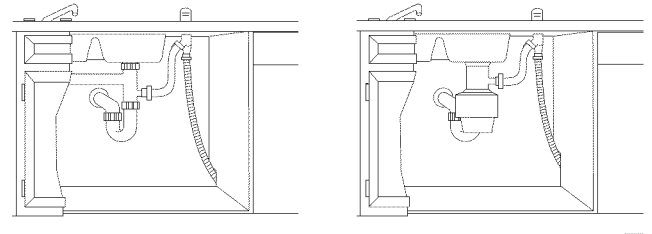
NOTE: TOTAL DRAIN HOSE LENGTH MUST NOT EXCEED 10' FOR PROPER DRAIN OPERATION.

DRAIN LINE INSTALLATION

- Connect drain line to air gap, waste tee or disposer using the previously determined method.
- Secure the drain hose to the air gap, waste tee or disposer with clamps.

Method 1—Air gap with waste tee or disposer

Insert the drain hose into the air gap as shown.



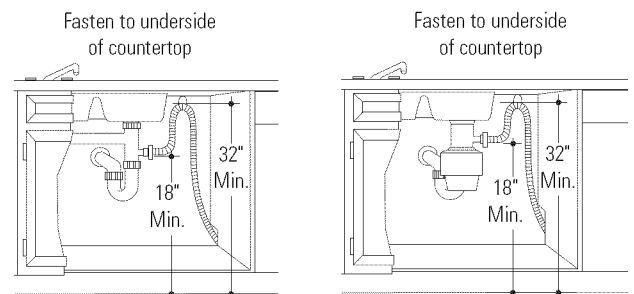
Waste Tee Installation

Disposer Installation

Figure FF

Method 2—High Drain Loop with the Waste Tee or Disposer

Route the drain hose of the dishwasher to a minimum height of 32" from the floor with the supplied hanger as shown.



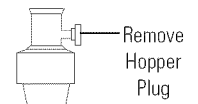
Waste Tee Installation

Disposer Installation

Figure GG

IMPORTANT – One of the above methods must be used or dishwasher will not operate properly.

IMPORTANT – When connecting drain line to disposer, check to be sure that drain plug has been removed. **DISHWASHER WILL NOT DRAIN IF PLUG IS LEFT IN PLACE.**



TIP: Avoid unnecessary service call charges. Always be sure disposer drain plug has been removed before attaching dishwasher drain hose to the disposer.

Installation Instructions

STEP 18 CONNECT POWER SUPPLY

Skip this step if dishwasher is equipped with power cord.

Verify that power is turned off at the source.

- Locate junction box cover set aside in Step 1.
- Secure house wiring to the back of the junction box with a strain relief.
- Locate the three dishwasher wires, (white, black and green) with stripped ends. Insert dishwasher wires through the small hole in the junction box. Connect like-colored dishwasher and power cable wires using UL-listed wire nuts of appropriate size.
- Install the junction box cover. Check to be sure that wires are not pinched under the cover.

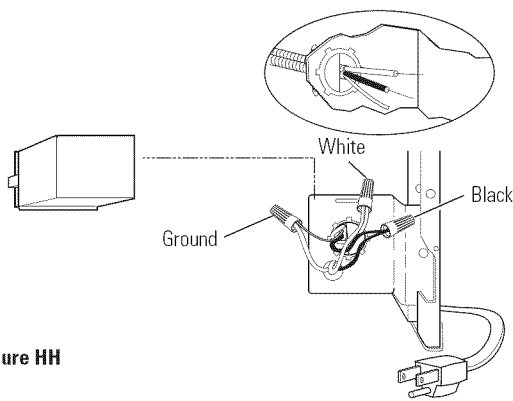


Figure HH



WARNING

If house wiring is not 2-wire with ground, a ground must be provided by the installer. When house wiring is aluminum, be sure to use UL-listed anti-oxidant compound and aluminum-to-copper connectors.

STEP 19 PRETEST CHECK LIST

Review this list after installing your dishwasher to avoid charges for a service call that is not covered by your warranty.

- Check to be sure power is OFF.
- Open door and remove all foam and paper packaging.
- Locate the Owner's Manual set aside in Step 1.
- Read the Owner's Manual for operating instructions.
- Check door opening and closing. If door does not open and close freely, check for proper routing of spring cable over pulley. If door drops or closes when released, adjust spring tension. See Step 3, Figure J.
- Check to be sure that wiring is secure under the dishwasher, not pinched or in contact with door springs or other components. See Step 9.
- Check door alignment with tub. If door hits tub, level dishwasher. See Step 14.
- Pull lower rack out about halfway. Check to be sure it does not roll back or forward on the door. If the rack moves, adjust leveling legs. See Step 14.
- Check door alignment with cabinet. If door hits cabinet, reposition or relevel dishwasher. See Steps 13, 14 and 15.
- Check that door spring does not contact water line, fill hose, wiring or other components. See Step 16.
- Verify water supply and drain lines are not kinked or in contact with other components. Contact with motor or dishwasher frame could cause noise. See Steps 9 and 11.
- Turn on the sink hot water faucet and verify water temperature. Incoming water temperature must be between 120°F and 150°F. A minimum of 120°F temperature is required for best wash performance. See "Prepare Hot Water Line," page 7.
- Add 2 quarts of water to the bottom of the dishwasher to lubricate the pump seal.
- Turn on water supply. Check for leaks. Tighten connections if needed.
- Remove protective film if present from the control panel and door.
- Avoid service call charges by ensuring there is an air gap or drain hose routed through the required 32" minimum height.

Installation Instructions/Custom Panel Dimensions

STEP 20 DISHWASHER WET TEST

- Turn on power supply (or plug power cord into outlet, if equipped).
- Start the unit to check for leaks.
 - Push RINSE ONLY pad.
 - Push START/RESET pad one time.
 - Close door.
- Check to be sure that water enters the dishwasher. If water does not enter the dishwasher, check to be sure that water and power are turned on.
- Check for leaks under the dishwasher. If a leak is found, turn power supply off, then tighten connections. Restore power after leak is corrected.
- Check for leaks around the door. A leak around the door could be caused by door rubbing or hitting against adjacent cabinetry. Reposition the dishwasher if necessary. See Step 13, 14 and 15.
- The dishwasher will drain and turn off about 5 minutes after it was started. Check drain lines. If leaks are found, turn off power supply and correct plumbing as necessary. Restore power after corrections are made. See Step 10 and 17.
- Open dishwasher door and make sure most of the water has drained. If not, check that disposer plug has been removed and/or air gap is clear. See Step 17. Also check drain line to be sure it is not kinked.
- Run the dishwasher through another "Rinse Only" cycle. Check for leaks and correct if required.

STEP 21 SET WATER HARDNESS

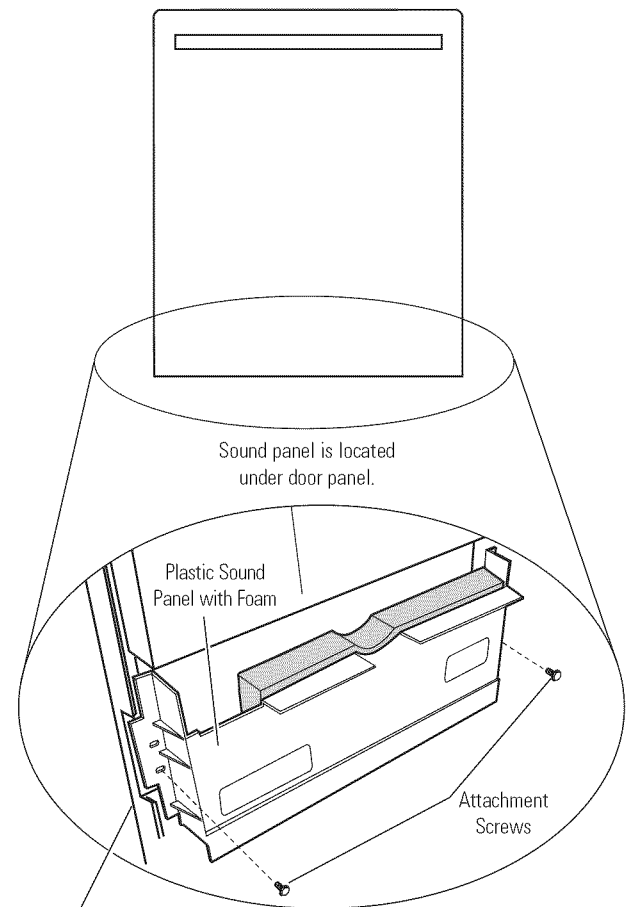
Models with bulk dispenser only. Skip this step if your dishwasher does not have the bulk dispense feature.

- Locate the hard water test strip set aside in Step 1.
- Remove strip from package.
- Turn on the hot water and hold the strip under the stream, following the directions on the package.
- Use the value on the test strip to calibrate your dishwasher for water hardness. Refer to the section titled "Water Hardness Calibration" in your Owner's Manual for information on how to calibrate your dishwasher.

STEP 22 INSTALL SOUND UPGRADE KIT IF EQUIPPED

Skip this step if your model does not have the Sound Upgrade Kit.

- Locate sound upgrade kit set aside in Step 1 and the two screws set aside in Step 6.
- Attach the plastic Sound Panel as shown in Figure II using the two screws. The lower set of mounting holes should be used.
- Be sure the sound panel is seated in the notches on frame as shown in Figure II.



Be sure that the sound panel is seated in the notch in the frame. (Both sides)

Figure II

STEP 23 INSTALL TOEKICK

- Locate toekick and screws set aside in step 5.

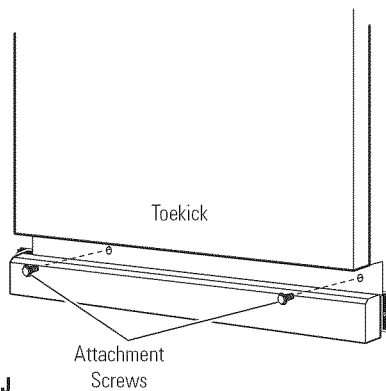


Figure JJ

- Replace the toekick and make sure it is against the floor.
- Insert and tighten the 2 toekick attachment screws. The toekick should stay in contact with the floor to ensure quiet dishwasher operation.

STEP 24 LITERATURE

- Be sure to leave complete literature package, Installation Instructions and product samples with the consumer.

NOTE: While performing installations described in this book, safety glasses or goggles should be worn.

For Monogram® local service in your area, call 1.800.444.1845.

NOTE: Product improvement is a continuing endeavor at General Electric. Therefore, materials, appearance and specifications are subject to change without notice.

Pub. No. 31-30246

Part No. 206C1559P184

10-08 JR

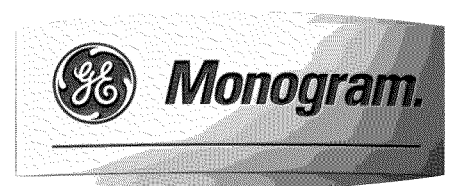


GE Consumer & Industrial
Appliances
General Electric Company
Louisville, KY 40225
ge.com

Instructions d'installation

Lave-vaisselle encastré

*Les modèles avec panneau frontal sur commande viennent avec une trousse comprenant un gabarit, la quincaillerie et les instructions d'installation du panneau. Se reporter aux instructions de la trousse pour installer le panneau sur commande.



Information de sécurité

AVANT DE COMMENCER

Il faut lire soigneusement toutes ces instructions.

- **IMPORTANT** – Conserver ces instructions afin que l'inspecteur local s'en serve. Il faut respecter tous les codes et règlements.
- **Remarque pour l'installateur** – Ne pas oublier de remettre ces instructions au consommateur.
- **Remarque pour le consommateur** – Il faut garder ces instructions avec le manuel d'utilisation, pour consultation ultérieure.
- **Niveau de compétence** – L'installation de ce lave-vaisselle demande des talents mécaniques et électriques de base. **L'installateur est responsable de l'installation appropriée. La garantie des appareils ménagers de GE ne couvre pas les défaillances du produit causées par une mauvaise installation.**
- **Durée d'installation** – 1 à 3 heures.
Les installations initiales demandent plus de temps que les installations de remplacement.

• **IMPORTANT** – Le lave-vaisselle DOIT être installé de manière à permettre la dépose ultérieure de l'enceinte afin de permettre toute intervention.

Si le lave-vaisselle livré est endommagé, il faut contacter immédiatement le concessionnaire ou l'entrepreneur de construction.

**LIRE ATTENTIVEMENT.
IL FAUT GARDER CES INSTRUCTIONS.**

SÉCURITÉ

Il faut lire et observer tous les avertissements (PRUDENCE et ATTENTION) montrés dans ces instructions.

Pendant l'installation décrite dans ce livret, il faut porter des gants et des lunettes de sécurité.

Pour le service local Monogram dans votre région :

1.800.444.1845.

Pièces et accessoires Monogram, appeler le :

1.800.626.2002.

Pièces et accessoires Monogram au Canada,

appeler le : 1.800.561.3344.

CONTENU

Préparation pour l'installation

Pièces fournies	3
Matériaux nécessaires	3
Outils nécessaires	3
Planification préalable	4
Préparation de l'enceinte du lave-vaisselle	4
Préparation de la plomberie de vidange	5
Préparation pour le branchement électrique	6
Préparation du tuyau d'eau chaude	7

Instructions d'installation

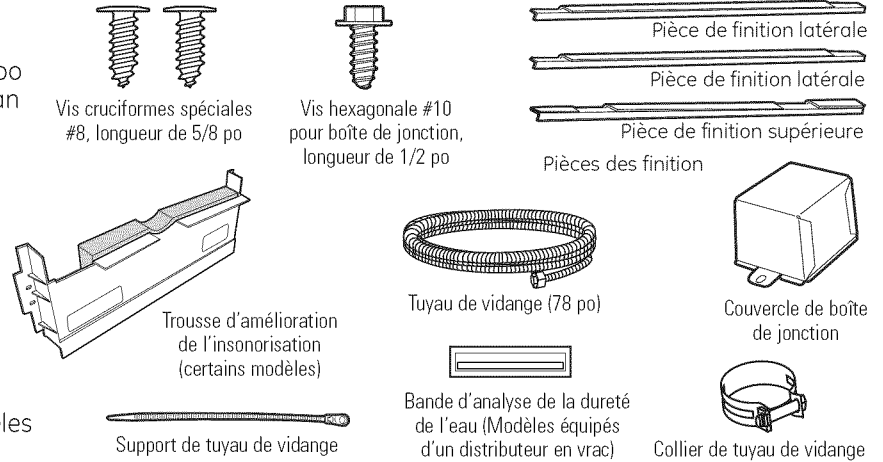
Étape 1, Repérage des articles à installer	7
Étape 2, Installation des pièces de finition	7
Étape 3, Vérification de l'équilibre de la porte.....	8
Étape 4, Retrait de la base en bois, installation des pattes de nivellement	8
Étape 5, Retrait de la plinthe	8
Étape 6, Retrait du renfort de plinthe	8
Étape 7, Installation du cordon d'alimentation électrique.....	9
Étape 8, Installation du coude à angle droit	9
Étape 9, Mise en place du tuyau d'eau et des fils de la maison	9

Étape 10, Raccordement du tuyau de vidange à l'orifice de vidange du lave-vaisselle	9
Étape 11, Insertion du tuyau de vidange à travers l'armoire	10
Étape 12, Glissement du lave-vaisselle au 3/4 de la distance dans l'armoire	10
Étape 13, Glissement du lave-vaisselle à sa position finale	10, 11
Étape 14, Mise à niveau du lave-vaisselle	11
Étape 15, Fixation du lave-vaisselle au plan de travail ou à l'armoire	12
Étape 16, Raccordement à l'alimentation d'eau	12
Étape 17, Raccordement du tuyau de vidange.....	13
Étape 18, Branchement à l'alimentation électrique	14
Étape 19, Liste de vérification avant de faire les essais	14
Étape 20, Essai du lave-vaisselle avec de l'eau	15
Étape 21, Détermination de la dureté de l'eau	15
Étape 22, Installation de la trousse d'amélioration de l'insonorisation (certains modèles).....	15
Étape 23, Installation de la plinthe.....	Couverture arrière
Étape 24, Documentation.....	Couverture arrière

Préparation pour l'installation

PIÈCES FOURNIES :

- Deux vis cruciformes spéciales #8-18 x 5/8 po pour fixer le lave-vaisselle au dessous du plan de travail ou aux côtés des armoires.
- Couvercle de boîte de jonction et vis hexagonale #10-1/2 po
- Pièces de finition latérales et supérieure
- Trousse d'amélioration de l'insonorisation (certains modèles)
- Tuyau de vidange (78 po) avec support et collier
- Documentation, échantillons de produit et/ou coupons
- Bande d'analyse de la dureté de l'eau (Modèles équipés d'un distributeur en vrac)

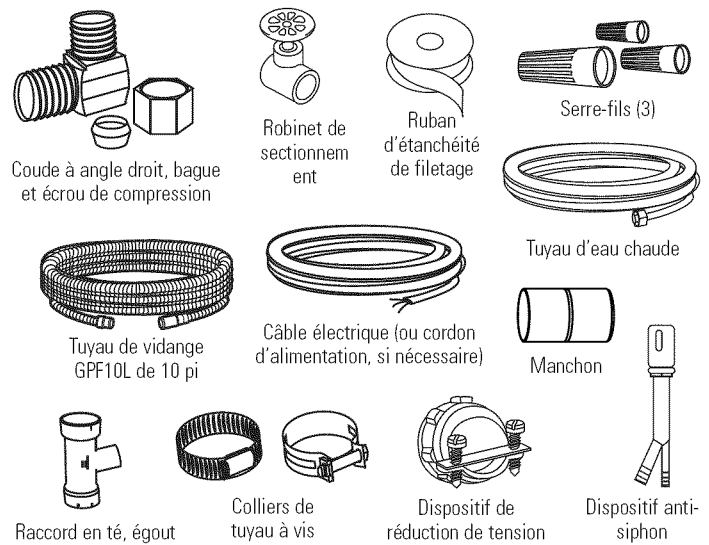


MATÉRIAUX NÉCESSAIRES :

- Bague, écrou de compression et coude à angle droit (filetage externe de 3/8 po à une extrémité, l'autre extrémité correspondant à l'alimentation d'eau)
- Ruban d'étanchéité de filetage
- Serre-fils sur la liste UL (3)

Matériaux pour une installation initiale seulement :

- Dispositif anti-siphon pour le tuyau de vidange, si nécessaire
- Raccord en té pour la plomberie d'égout, si nécessaire
- Câble électrique ou cordon d'alimentation, si nécessaire
- Colliers de tuyau à vis
- Dispositif de réduction de tension pour les branchements électriques
- Robinet de sectionnement
- Tuyau d'eau en cuivre de 3/8 po minimum
- Manchon pour allonger le tuyau de vidange, si nécessaire
- Tuyau de vidange GPF10L de 10 pi, si nécessaire

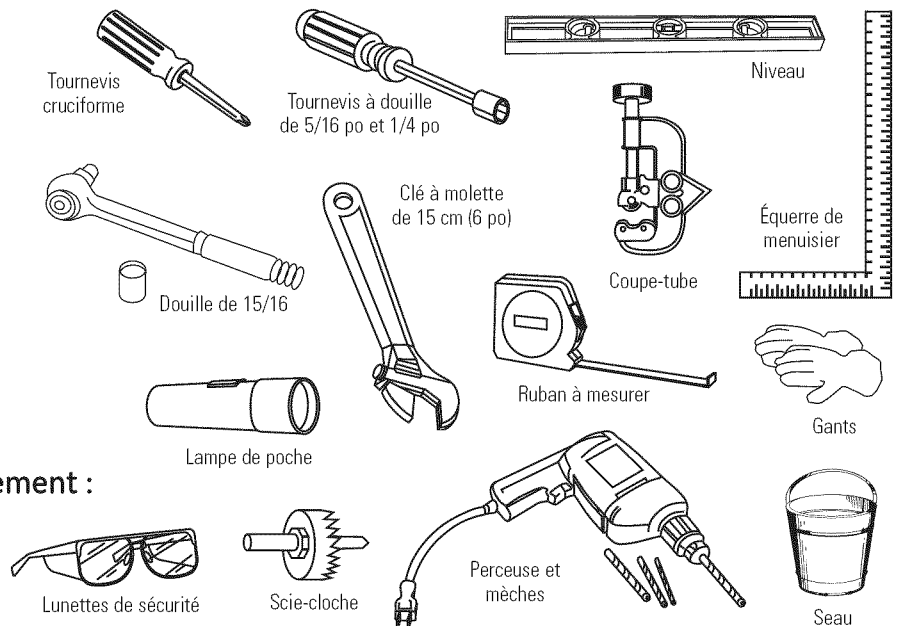


OUTILS NÉCESSAIRES :

- Tournevis cruciforme
- Tournevis à douille de 5/16 po et 1/4 po
- Clé à molette de 15 cm (6 po)
- Niveau
- Équerre de menuisier
- Ruban à mesurer
- Lunettes de sécurité
- Lampe de poche
- Seau pour attraper l'eau lors de la purge du tuyau
- Douille de 15/16 po (optionnelle pour la dépose de la palette)
- Gants

Pour les installations initiales seulement :

- Coupe-tube
- Perceuse et mèches appropriées
- Scie-cloche



Préparation pour l'installation

PLANIFICATION PRÉALABLE

- Ces lave-vaisselle sont conçus afin d'être polyvalents et de pouvoir s'adapter à pour ainsi dire n'importe quelle installation.
- Tous les modèles ont une porte pleine longueur sans le panneau d'accès traditionnel.
- Ces lave-vaisselle peuvent être installés au-dessous des plans de travail faits de pierre ou d'autres matériaux dans lesquels on ne peut pas placer de vis. Il n'y a pas besoin de trousse de garniture.

PRÉPARATION DE L'ENCEINTE DU LAVE-VAISSELLE

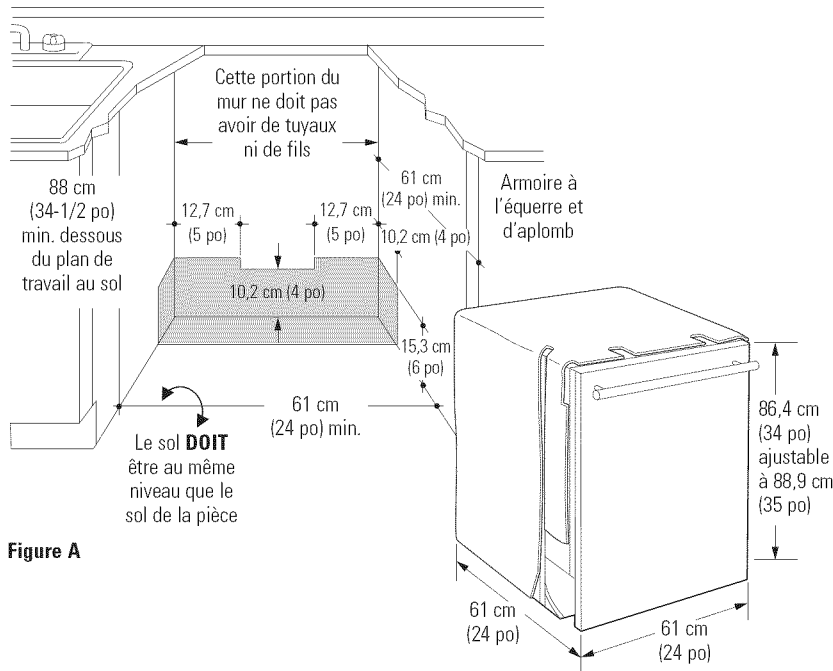


Figure A

*Les lave-vaisselle modèles ZBD6900PII et ZBD8900PII nécessitent un panneau sur commande de 1,9 cm (3/4 po) d'épaisseur et aura 62,9 cm (24-3/4 po) de profondeur.

- L'ouverture de l'armoire doit avoir une profondeur d'au moins 61 cm (24 po), une largeur d'au moins 61 cm (24 po) et une hauteur d'environ 88 cm (34-1/2 po), du sol au dessous du plan de travail.
- Le mur arrière doit être exempt de tuyaux et de fils.
- Les armoires adjacentes doivent être à l'équerre et d'aplomb pour un ajustement adéquat (Figure A).
- Dans une installation de coin, laissez un dégagement minimal de 5,1 cm (2 po) entre le lave-vaisselle et le mur adjacent.
- La plomberie et l'électricité doivent entrer dans la zone ombrée.
- Le lave-vaisselle doit être installé de manière que le tuyau de vidange n'ait pas une longueur supérieure à 3 m (10 pi) afin d'obtenir un bon écoulement.
- Laissez au moins 72 cm (28-3/8 po) à l'avant du lave-vaisselle pour permettre l'ouverture complète de sa porte (Figure B).
- Veillez à ce que le plancher soit de niveau à l'intérieur de l'ouverture et au même niveau que le plancher fini de la cuisine. Cela facilitera le retrait du lave-vaisselle dans l'éventualité d'une réparation dans le futur.

⚠ AVERTISSEMENT

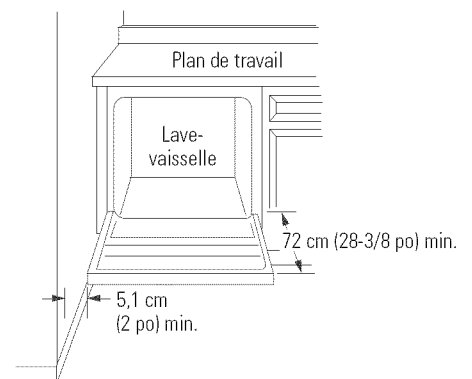
Pour réduire le risque de choc électrique, d'incendie ou de blessures, l'installateur doit s'assurer, au moment de l'installation, que le lave-vaisselle est complètement enclos.

Considérations spéciales dans le cas d'un lave-vaisselle installé sur une plateforme surélevée

La plateforme surélevée doit être plane et de niveau.

- Le lave-vaisselle doit être installé à moins de 3 mètres (10 pieds) d'un évier pour obtenir une vidange correcte.
- Le lave-vaisselle doit être totalement cloisonné dans le haut, les côtés et à l'arrière.
- Le lave-vaisselle ne doit supporter aucune partie de l'enceinte.

Figure B



ESPACES : En cas d'installation dans un coin, laissez un espace de 5 cm (2 po) minimum entre le lave-vaisselle et l'armoire, le mur ou un autre appareil adjacent.

Il doit y avoir un espace d'au moins 72 cm (28-3/8 po) devant le lave-vaisselle pour permettre l'ouverture la porte (Figure B).

Préparation pour l'installation

PRÉPARATION DE LA PLOMBERIE DE VIDANGE

Exigences relatives au circuit de vidange

- Le tuyau de vidange ne doit pas dépasser 3 m (10 pi) de longueur.
- Une boucle de vidange élevée ou un dispositif anti-siphon sont nécessaires. Voir ci-dessous.

Détermination de la méthode de vidange

Le type d'installation de la vidange dépend de la réponse aux questions suivantes :

- Est-ce que les codes ou règlements locaux exigent un dispositif anti-siphon ?
- Est-ce que le raccord en té est à moins de 46 cm (18 po) du sol ?

Si la réponse est **OUI** à une de ces questions, il FAUT utiliser un dispositif anti-siphon. Se reporter à la **méthode n° 1** (Figure C) illustrée ci-contre.

Si les réponses sont **NON**, il est possible d'utiliser soit un dispositif anti-siphon, soit une boucle de vidange élevée. Se reporter à la **méthode n° 1** (Figure C) ou à la **méthode n° 2** (Figure D) illustrées ci-contre.

NOTE : L'élévation du tuyau de vidange ne doit pas dépasser 122 cm (48 po).

Considérations spéciales dans le cas d'un lave-vaisselle installé sur une plateforme surélevée

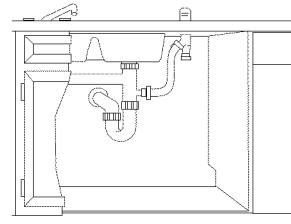
Si le lave-vaisselle est installé sur une plateforme surélevée, il faut placer une boucle de vidange élevée à une distance minimale de 81,3 cm (32 po) au-dessus de la plateforme, en plus du dispositif anti-siphon ou de la boucle de vidange déterminés d'après les méthodes ci-dessus. Cela est nécessaire pour assurer une vidange adéquate.

ATTENTION : Un dispositif anti-siphon DOIT ÊTRE UTILISÉ si le tuyau de vidange est connecté au raccord en té ou au broyeur à déchets situé à moins de 45,7 cm (18 po) au-dessus du niveau du plancher. L'omission de procurer une hauteur adéquate au raccord de drain du dispositif anti-siphon ou une hauteur minimale de 81,3 cm (32 po) à la boucle de vidange élevée entraînera un drainage incorrect du lave-vaisselle et de possibles dommages.

Préparation de l'armoire pour le tuyau de vidange

Percer un trou de 38 mm (1-1/2 po) de diamètre dans la paroi de l'armoire, à l'intérieur des zones hachurées montrées à la figure A, pour le passage du tuyau de vidange. Le trou doit être lisse, sans bords aigus. Le tuyau de vidange passera par ce trou et sera raccordé au drain lors d'une étape ultérieure.

Méthode 1—Dispositif anti-siphon avec raccord en té d'égout ou broyeur à déchets



Installation avec raccord en té d'égout

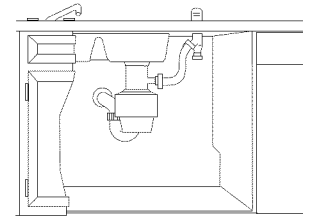


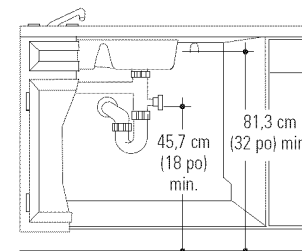
Figure C

Installation avec broyeur à déchets

Méthode 2—« Boucle de vidange élevée » avec raccord en té d'égout ou broyeur à déchets

Utilisez le tuyau de vidange inclus dans le nécessaire d'installation pour le fixer en dessous du plan de travail. La fixation sera effectuée plus tard.

Installez le raccord en té d'égout ou le broyeur à déchets et le dispositif anti-siphon selon les instructions du fabricant.



Installation avec raccord en té d'égout

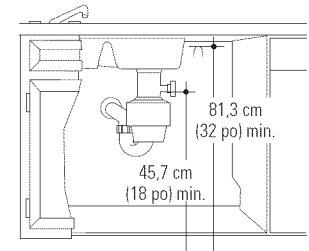
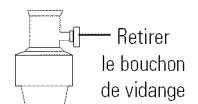


Figure D

Installation avec broyeur à déchets

IMPORTANT – Au moment de raccorder le tuyau de vidange au broyeur à déchets, assurez-vous que le bouchon de vidange a été retiré. LE LAVE-VAISSELLE NE SE VIDANGERA PAS SI LE BOUCHON EST LAISSÉ EN PLACE.



Préparation pour l'installation

PRÉPARATION POUR LE BRANCHEMENT ÉLECTRIQUE



AVERTISSEMENT

SÉCURITÉ : Enlever le fusible du circuit ou déclencher le disjoncteur avant de commencer l'installation. Avec cet appareil, ne pas utiliser une rallonge ou un adaptateur de prise.

Alimentation électrique

- Cet appareil doit avoir une alimentation en 120 V, 60 Hz, et être branché à un circuit indépendant correctement mis à la terre, protégé par un disjoncteur de 15 ou 20 A ou un fusible temporisé.
- Le branchement doit être fait avec deux fils plus un fil de terre, homologués pour une température de 80 °C (176 °F).
- Si l'alimentation électrique n'est pas conforme à ces conditions, appeler un électricien agréé avant de continuer.

Mise à la terre—Branchement direct

Cet appareil doit être branché de façon permanente à un circuit à la terre avec un morceau de métal, ou il faut installer un fil de mise à la terre avec les fils d'alimentation. Ce fil doit être branché à la borne de terre de l'équipement ou à un fil sur l'appareil.

Instructions de mise à la terre—Modèles avec un cordon d'alimentation

Cet appareil doit être mis à la terre. En cas de mauvais fonctionnement ou de panne, la mise à la terre réduit le risque de choc électrique en fournissant un passage de moindre résistance au courant électrique. Cet appareil est équipé d'un cordon d'alimentation avec un conducteur de mise à la terre et une fiche de terre. Il faut brancher la fiche dans une prise appropriée, installée et mise à la terre conformément aux codes et règlements locaux.



AVERTISSEMENT

Le mauvais branchement du conducteur de mise à la terre peut causer des risques de choc électrique. En cas de doute sur la mise à la terre de l'appareil, consulter un électricien agréé ou un technicien de réparation.

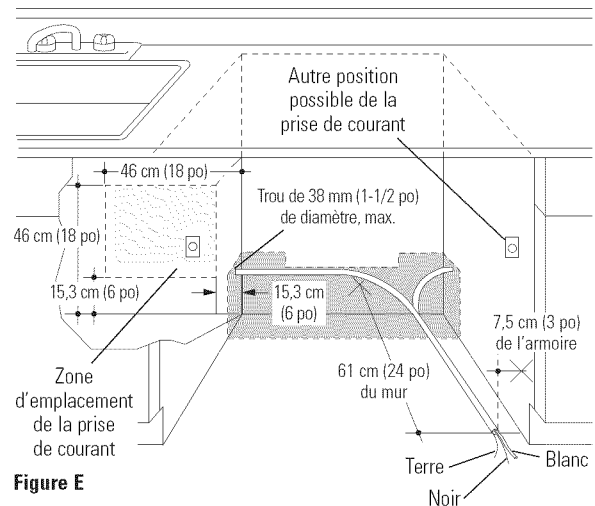


Figure E

Modèles équipés d'un cordon d'alimentation : Ne pas modifier la fiche fournie avec l'appareil. Si la fiche ne correspond pas à la prise, faire installer une prise appropriée par un électricien qualifié.

Préparation de l'armoire et du passage des fils

- Les fils doivent entrer dans la cavité d'un côté ou de l'autre, de l'arrière ou du sol, dans la zone hachurée.
- Couper un trou de 38 mm (1-1/2 po) de diamètre maximum pour permettre le passage des fils d'alimentation électrique. Le câble de branchement direct peut passer dans le même trou que le tuyau de vidange et le tuyau d'eau chaude, si c'est plus pratique. Si le mur de l'armoire est métallique, le bord du trou doit être protégé par un oeillet.

NOTE : Le cordon d'alimentation avec une fiche doit passer dans un trou séparé.

Branchement électrique du lave-vaisselle

Le branchement électrique se fait sur le côté droit du lave-vaisselle.

- Pour les branchements directs, le câble doit passer comme illustré à la Figure E. Il doit y avoir une longueur de câble d'au moins 61 cm (24 po) dépassant du mur arrière.
- Pour le branchement avec un cordon d'alimentation, installer une prise à la terre à trois broches sur le mur arrière de l'armoire d'évier, de 15 cm (6 po) minimum ou 46 cm (18 po) maximum de l'ouverture, de 15 cm à 46 cm (6 à 18 po) au-dessus du sol. La prise doit être accessible et ne peut donc pas être installée sur le mur arrière dans l'enceinte du lave-vaisselle.

Instructions d'installation

PREPARATION DU TUYAU D'EAU CHAUDE

Tuyau d'eau chaude

- Le tuyau peut entrer d'un côté ou de l'autre, de l'arrière ou du sol, dans la zone hachurée montrée à la Figure F.
- Le tuyau peut passer dans le même trou que le câble électrique et le tuyau de vidange. Il est aussi possible de couper un trou supplémentaire de 38 mm (1-1/2 po) de diamètre uniquement pour le tuyau d'eau. En cas d'utilisation d'un cordon d'alimentation avec fiche, le tuyau d'eau ne doit pas passer dans le trou du cordon.

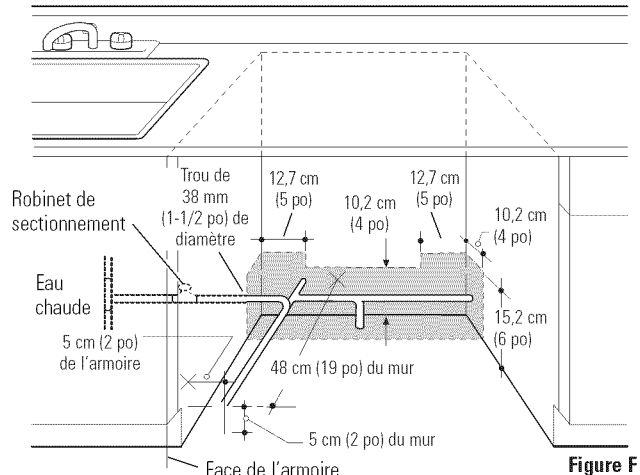


Figure F

Branchement du tuyau d'eau

- Couper l'alimentation d'eau.
- Installer un robinet de sectionnement dans un endroit accessible, sous l'évier par exemple (optionnel, mais fortement recommandé et peut être exigé par les codes locaux).
- Le branchement d'eau est sur la gauche inférieure du lave-vaisselle. Installer le tuyau d'alimentation d'eau chaude avec un tuyau en cuivre d'au moins 3/8 po de diamètre externe. Faire passer le tuyau comme montré à la figure F et l'amener à 48 cm (19 po) du mur arrière.
- Régler le chauffe-eau à une température entre 49 °C et 65 °C (120 °F et 150 °F).
- Purger le tuyau d'eau pour éliminer tous les débris. Utiliser un seau pour recueillir l'eau et les débris.
- Le tuyau d'alimentation d'eau chaude doit avoir une pression entre 1,4 et 8,3 bar (20 et 120 psi).

ATTENTION

La pression dans le tuyau d'eau chaude doit être d'un minimum de 20 psi. Des pressions inférieures peuvent causer des fuites à la vanne d'eau et des dommages connexes.

ATTENTION

Il ne faut pas enlever la base de bois avant d'être prêt à installer le lave-vaisselle. Quand la base de bois est enlevée et la porte ouverte, le lave-vaisselle bascule.

ÉTAPE 1 REPÉRAGE DES ARTICLES À INSTALLER

- Repérer les articles dans l'emballage d'installation et les mettre de côté en vue de leur utilisation dans les étapes énumérées.
- Pièces de finition – Étape 2
- Couvercle de boîte de jonction – Étape 7 ou étape 18
- Tuyau de vidange et collier – Étape 10
- Trousse de quincaillerie – Étape 15
- Support de tuyau de vidange – Étape 17
- Manuel d'utilisation – Étape 19 et étape 24
- Bande d'analyse de la dureté de l'eau – Étape 21
- Trousse d'amélioration de l'insonorisation (certains modèles) – Étape 22
- Échantillons de produits et/ou coupons – Étape 24

ÉTAPE 2 INSTALLATION DES PIÈCES DE FINITION

Dans cette étape, vous aurez besoin des pièces de finition mise de côté à l'étape 1.

- Enfoncez la pièce de finition supérieure sur le rebord de la cuve. Commencer par le bord droit et procéder vers la gauche.
- Répéter la manoeuvre avec les pièces de finition gauche et droite, en procédant de haut en bas.
- Open and close the door to check that trim does not bind and does not interfere with door latch or door hinges.

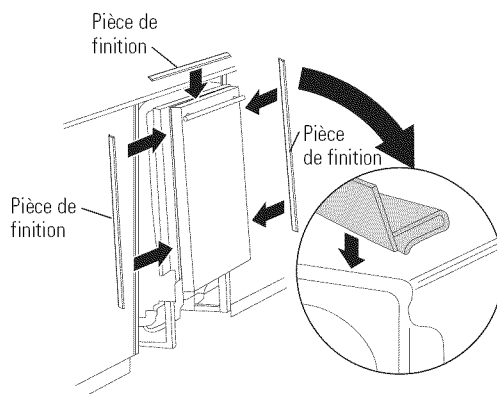


Figure G

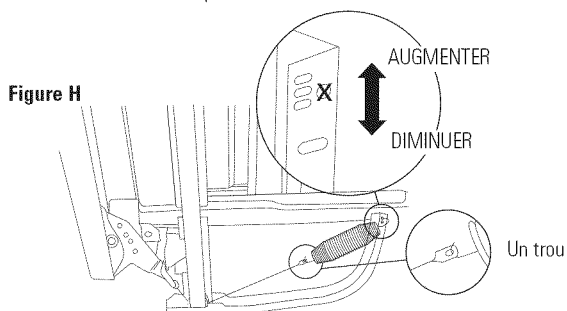
Instructions d'installation

ÉTAPE 3 VÉRIFICATION DE L'ÉQUILIBRE DE LA PORTE

- Avec le lave-vaisselle sur la palette de bois, ouvrir et fermer la porte pour vérifier son équilibre.
- Si la porte tombe quand elle est relâchée, augmenter la tension du ressort. Si la porte monte quand elle est relâchée, diminuer la tension du ressort.
- Il existe deux types de contrepoids et donc deux méthodes de réglage. Identifier lequel est présent et régler la tension en conséquence. Prendre note que : s'il y a 3 trous sur le câble, utiliser celui-ci pour le réglage; si un seul trou est présent, utiliser la patte de la cuve.

Type 1 - Câble à un trou

Régler la tension en déplaçant le crochet de ressort sur l'un des trois trous de la patte de cuve.



Type 2 - Câble à trois trous

Régler la tension en déplaçant le crochet de ressort sur l'un des trois trous du câble de poulie.

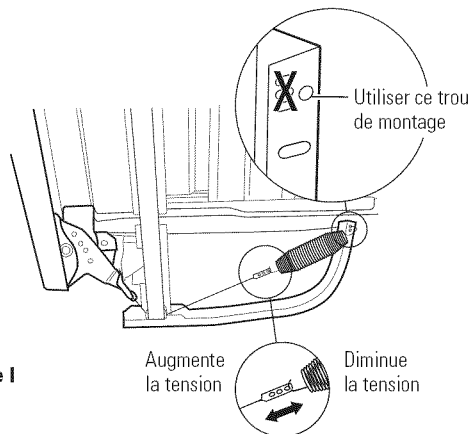
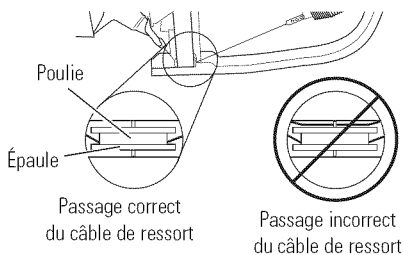


Figure I

Une fois réglée la tension du ressort, ouvrir et fermer la porte pour s'assurer qu'elle fonctionne en douceur. Si la porte est difficile à bouger ou si le câble se prend, vérifier le passage du câble de ressort. Le câble doit passer entre les épaules de la roulette de poulie. Si le câble est à l'extérieur de la roulette :

verrouiller la porte, relâcher la tension du ressort et faire passer le câble entre les épaules de la roulette. Voir la

Figure J



ÉTAPE 4 RETRAIT DE LA BASE EN BOIS, INSTALLATION DES PATTES DE NIVELLEMENT

IMPORTANT – Il ne faut pas frapper la base en bois pour l'enlever ! Ceci endommage le lave-vaisselle.

- Amener le lave-vaisselle à proximité de l'emplacement définitif et le basculer sur le dos.
- Avec une clé à molette ou une douille de 15/16 po, enlever les quatre pattes de nivellement du dessous de la base en bois.
- Jeter la base.

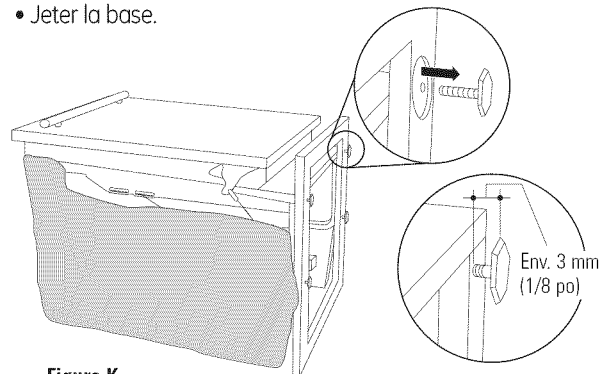


Figure K

- Visser les pattes de nivellement dans le cadre du lave-vaisselle, jusqu'à environ 3 mm (1/8 po) du cadre, comme montré.

ÉTAPE 5 RETRAIT DE LA PLINTHE

- Enlever les deux vis de la plinthe et la plinthe. Mettez-les de côté pour l'étape 23.

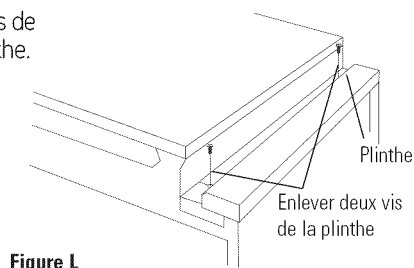


Figure L

ÉTAPE 6 RETRAIT DU RENFORT DE PLINTHE

Sauter cette étape si votre modèle n'est pas doté d'une trousse d'amélioration de l'insonorisation. Si votre modèle en est doté, ce renfort doit être retiré.

- Enlever les 2 vis du renfort de plinthe et le renfort. Jeter le renfort et conserver les vis pour l'étape 22.

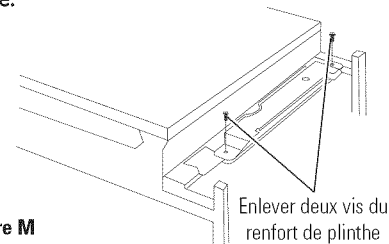


Figure M

Instructions d'installation

ÉTAPE 7 INSTALLATION DU CORDON D'ALIMENTATION ÉLECTRIQUE

Sauter cette étape si le lave-vaisselle est raccordé directement au réseau électrique de la maison.

Dans cette étape, vous aurez besoin du couvercle de boîte de jonction et d'une vis hexagonale #10 x 1/2 po de la trousse de quincaillerie mise de côté à l'étape 1.

Le cordon d'alimentation et les connexions doivent satisfaire au Code national de l'électricité Section 422 et aux codes et règlements locaux. La longueur maximale du cordon est de 1,8 mètre (6 pieds). La trousse de cordon d'alimentation No WX09X70910, disponible pour l'achat chez votre revendeur d'appareil électroménagers GE autorisé, répond à ces exigences.

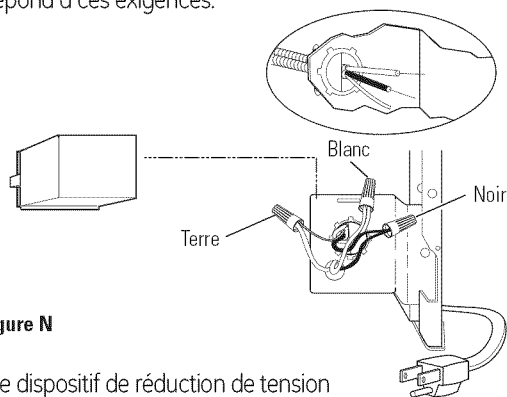


Figure N

- Installer le dispositif de réduction de tension dans le support de la boîte de jonction.
- Insérer le cordon d'alimentation à travers le dispositif de réduction de tension et serrer.
- S'assurer que les fils noir, blanc et vert du lave-vaisselle sont passés par le petit trou du support de boîte de jonction.
- Raccorder les fils de même couleur, ceux du lave-vaisselle et du cordon d'alimentation. Si les fils du cordon ne sont pas identifiés par la couleur, raccorder le fil à nervures du cordon au fil blanc du lave-vaisselle, le fil lisse du cordon au fil noir du lave-vaisselle, et le fil de terre au fil vert du lave-vaisselle. Utiliser des serre-fils homologués UL du calibre approprié.
- À l'aide d'une vis hexagonale #10, installer le couvercle de boîte de jonction mis de côté à l'étape 1. S'assurer que les fils ne sont pas coincés sous le couvercle.

ÉTAPE 8 INSTALLATION DU COUDE À ANGLE DROIT

- Mettre du ruban d'étanchéité de filet sur le coude à angle droit.
- Installer le coude à angle droit sur la vanne.

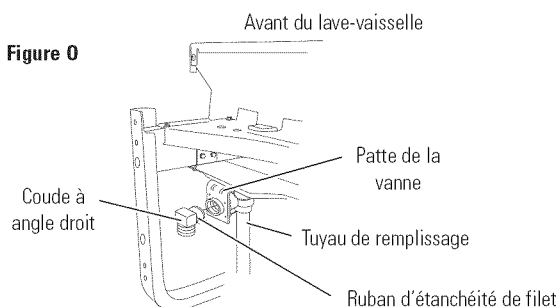


Figure O

- Ne pas serrer en excès le coude à angle droit, ceci pourrait tordre la patte de la vanne ou briser le raccord de la vanne.
- Tourner le coude pour qu'il pointe vers l'arrière du lave-vaisselle.

ÉTAPE 9 MISE EN PLACE DU TUYAU D'EAU ET DES FILS DE LA MAISON

- Mettre en place le tuyau d'eau et les fils de la maison sur le sol de l'ouverture, afin d'éviter toute interférence avec la base du lave-vaisselle et des divers éléments sous celui-ci.

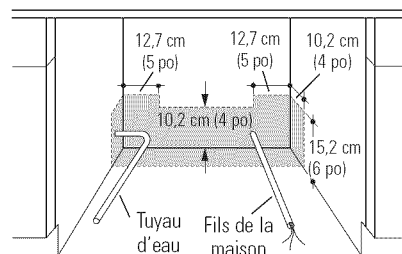


Figure P

ÉTAPE 10 RACCORDEMENT DU TUYAU DE VIDANGE À L'ORIFICE DE VIDANGE DU LAVE-VAISSELLE

Dans cette étape, vous aurez besoin du tuyau de vidange et de son collier mis de côté à l'étape 1.

- Placer le lave-vaisselle en position droite.
- Placer le collier du tuyau de vidange sur l'extrémité du tuyau dont le diamètre intérieur fait 3 mm (1-3/16 po), vis de collier du côté inférieur du tuyau.

IMPORTANT – Prévenir les dommages au tuyau de vidange et d'éventuelles fuites. Veiller à ne pas ébrécher ni couper le tuyau.

- Pousser l'extrémité du tuyau sur l'orifice de sortie de la pompe de vidange en faisant attention de ne pas nuire au clapet de non-retour. Se reporter à la Figure Q.
- Appuyer l'extrémité du tuyau contre les butées de tuyau situées sur l'orifice de sortie de la pompe.

- Placer le collier de tuyau contre la lèvres frontale du tuyau et serrer le collier.

NOTE : Le tuyau de vidange fourni avec le lave-vaisselle mesure environ 2 m (78 po) de long. Si cela ne suffit pas, on peut se procurer un tuyau d'une longueur de 3 mètres (120 po/10 pieds) auprès d'un revendeur d'électroménagers GE autorisé, numéro de pièce GPF10L.

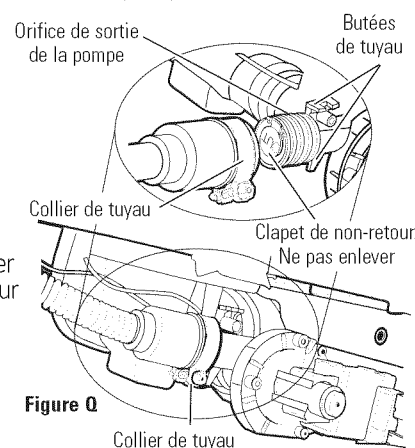


Figure Q

Conseils pour un raccordement exempt de fuites :

- Insérer le tuyau contre la butée sur la pompe.
- Placer le collier contre la lèvres frontale du tuyau de vidange.
- Serrer le collier à un couple d'au moins 15 lb-po.

Conseils pour un fonctionnement de pompe silencieux :

Installer le collier de tuyau en plaçant la vis de collier du côté inférieur du tuyau. Cela empêchera le collier d'entrer en contact avec le renfort arrière. Le contact entre le collier et le renfort arrière peut être bruyant lorsque la pompe fonctionne.

Instructions d'installation

ÉTAPE 11 INSERTION DU TUYAU DE VIDANGE À TRAVERS L'ARMOIRE

- Placer le lave-vaisselle devant l'ouverture d'armoire. Insérer le tuyau de vidange dans le trou sur le côté de l'armoire. Si un cordon d'alimentation est utilisé, en faire passer l'extrémité par un autre trou.

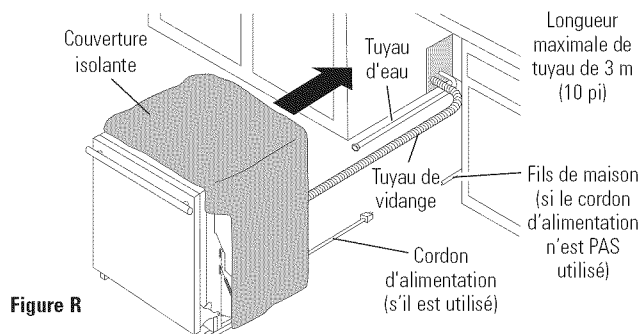


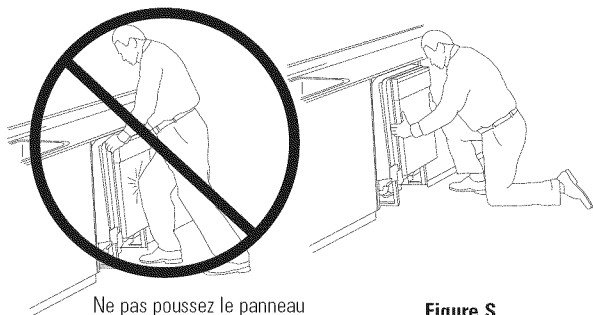
Figure R

CONSEIL : Placer le tuyau d'eau et le filage de maison sur le plancher pour éviter d'interférer avec la base du lave-vaisselle.

ÉTAPE 12 GLISSEMENT DU LAVE-VAISSELLE AU 3/4 DE LA DISTANCE DANS L'ARMOIRE

IMPORTANT – NE PAS PUSSEZ AVEC LES GENOUX CONTRE LE PANNEAU FRONTAL. CELA RISQUE DE L'ABÎMER.

- Agripper le lave-vaisselle par ses côtés et le glisser dans l'ouverture une dizaine de centimètres à la fois.



Ne pas pousser le panneau frontal avec les genoux. Cela risque de l'abîmer.

Figure S

- Tout en progressant, tirer sur le tuyau de vidange à travers l'ouverture, du côté de l'évier. Cesser de pousser le lave-vaisselle lorsque celui-ci ne dépasse l'avant des armoires adjacentes que d'une dizaine de centimètres.
- S'assurer que le tuyau de vidange n'est pas coincé sous le lave-vaisselle et qu'il n'y a pas d'interférence avec le tuyau d'eau, le filage ou d'autres composants.

CONSEIL : S'assurer que le lave-vaisselle se placera correctement dans l'armoire. Veiller à que le cordon d'alimentation, le tuyau de vidange et le tuyau d'eau chaude ne soient pas coincés derrière le lave-vaisselle. Le coincement de ces conduites empêchera de pousser complètement le lave-vaisselle au fond de l'enceinte.

ÉTAPE 13 GLISSEMENT DU LAVE-VAISSELLE À SA POSITION FINALE

- Pousser le lave-vaisselle dans l'armoire.
- Pousser sur les bords, avec les mains. Ne pas utiliser un genou contre la porte, car ceci endommage la porte.
- Pendant la mise en place dans l'armoire, vérifier que la couverture isolante sur la cuve ne « retrouse » pas et qu'elle n'interfère pas avec les ressorts.
- Centrer le lave-vaisselle dans l'ouverture.
- Le devant du panneau frontal doit être au même niveau que la face avant de l'armoire.
- Ouvrir et fermer la porte avec précaution pour vérifier que le panneau de la porte n'accroche pas ou ne frotte pas sur le cadre de l'armoire. Se reporter à la Figure T ci-dessous.
- Si la porte accroche ou frotte sur le cadre, changer à position ou mettre l'appareil de niveau (Étape 14) jusqu'à ce que la porte se déplace librement et n'est pas en contact avec le cadre de l'armoire.

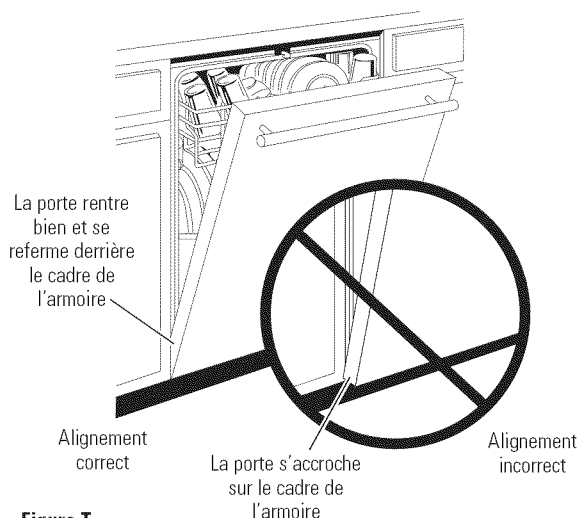


Figure T

Instructions d'installation

ÉTAPE 13 GLISSEMENT DU LAVE-VAISSELLE À SA POSITION FINALE (suite)

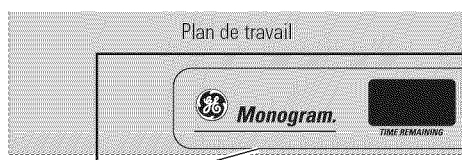
Considérations spéciales concernant la mise en place

Les commandes sur ces modèles sont conçues pour être dissimulés sous le plan de travail. Aligner le lave-vaisselle comme illustré à la Figure U. Laisser un espace minimum de 1,3 cm (1/2 po) entre le dessous du plan de travail et le dessus de la porte du lave-vaisselle comme illustré à la Figure V.

Utiliser les pattes de nivellement pour augmenter ou diminuer l'espace entre les commandes et le plan de travail.

IMPORTANT – Laisser un espace minimum de 1,3 cm (1/2 po) entre les commandes et le dessous du plan de travail pour prévenir la condensation et les dommages au panneau de commande par les têtes de vis.

Figure U



Commandes dissimulées sous le plan de travail

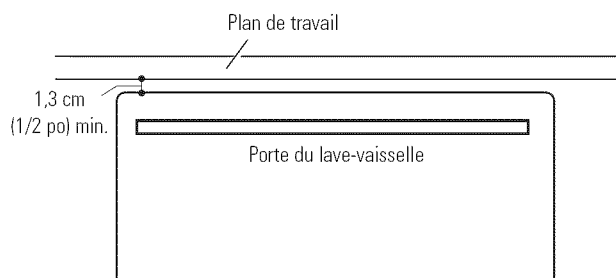


Figure V

ÉTAPE 14 MISE À NIVEAU DU LAVE-VAISSELLE

IMPORTANT – Le lave-vaisselle doit être de niveau pour assurer le bon fonctionnement de l'égouttoir et un lavage performant.

- S'assurer qu'un espace minimum de 1,3 cm (1/2 po) est maintenu.
- Placer un niveau sur la porte pour vérifier si le lave-vaisselle est de niveau d'un côté à l'autre. Retirer l'égouttoir inférieur, placer le niveau sur la glissière de l'égouttoir inférieur à l'intérieur de la cuve pour vérifier si le lave-vaisselle est de niveau d'avant en arrière.

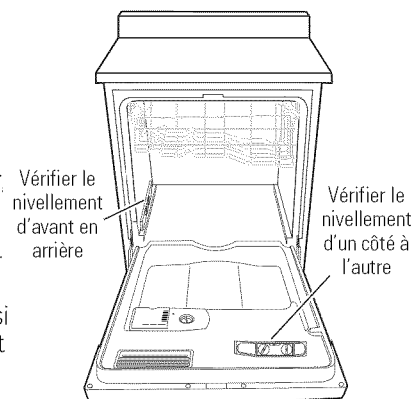
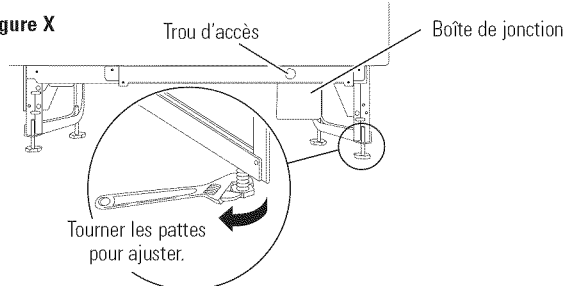


Figure W

- Si le lave-vaisselle n'est pas de niveau, régler les quatre pattes de nivellement comme illustré à la Figure X.
- Si le réglage de la patte de nivellement arrière droite est nécessaire, y accéder en dévissant la vis du support de boîte de jonction (à travers le trou d'accès) puis tourner le support dans le sens des aiguilles d'une montre.

Figure X



- Le lave-vaisselle est de niveau lorsque l'indicateur du niveau est centré de gauche à droite et d'avant en arrière. La porte du lave-vaisselle doit fermer sans heurter les côtés de la cuve.
- Replacer l'égouttoir inférieur une fois le nivellement terminé.

CONSEIL : Un bon nivellement évitera des frais de service superflus en raison d'un lavage non performant ou du mauvais fonctionnement d'un égouttoir.

Sortir les égouttoirs de moitié. Ils devraient rester stationnaires. Ouvrir et fermer la porte. La porte devrait tenir dans l'ouverture de la cuve sans heurter les côtés de la cuve. Si les égouttoirs roulent par eux-mêmes ou si la porte heurte les côtés de la cuve, refaire le nivellement.

IMPORTANT – Après le nivellement, s'assurer que le lave-vaisselle est centré dans l'enceinte et que la porte ne heurte pas les armoires adjacentes.

Instructions d'installation

ÉTAPE 15 FIXATION DU LAVE-VAISSELLE AU PLAN DE TRAVAIL OU À L'ARMOIRE

Dans cette étape, vous aurez besoin de 2 vis à tête cruciforme spéciale mises de côté à l'étape 1.

Le lave-vaisselle doit être fixé au plan de travail ou aux côtés de l'armoire.

Si le plan de travail est en bois, utiliser la Méthode 1.

S'il est fait de granite ou d'un autre matériau qui n'acceptera pas de vis, utiliser la Méthode 2 pour fixer le lave-vaisselle aux côtés.

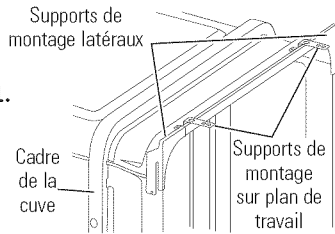


Figure Y

IMPORTANT – Pour éviter les frais de service superflus, visser les vis en ligne droite, tête rentrée au niveau de la surface. Les têtes de vis qui dépassent vont égratigner le dessus ou les côtés du panneau de commande et peuvent gêner la fermeture de la porte.

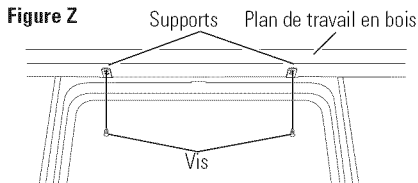


Figure Z

Méthode 1—Fixation du lave-vaisselle au plan de travail

- Fixer le lave-vaisselle au dessous du plan de travail à l'aide de 2 vis à tête cruciforme spéciale fournies.

Méthode 2—Fixation du lave-vaisselle à l'aide de supports de montage latéraux

- Retirer les bouchons (un de chaque côté).
- Visser les vis (une de chaque côté) à travers les supports latéraux du lave-vaisselle puis dans les armoires adjacentes. Réinstaller les bouchons.

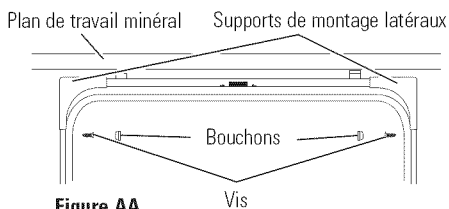
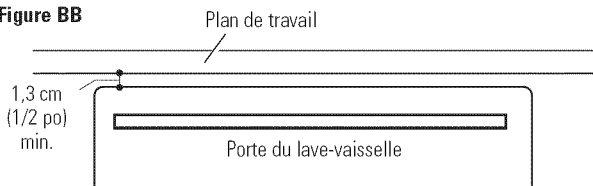


Figure AA

Pour les deux méthodes – Veiller à maintenir un espace minimum de 1,3 cm (1/2 po).

- Une fois l'étape terminée, fermer la porte du lave-vaisselle et vérifier que l'espace entre le plan de travail et le dessus du lave-vaisselle est d'au moins 1,3 cm (1/2 po).

Figure BB



ÉTAPE 16 RACCORDEMENT À L'ALIMENTATION D'EAU

Raccorder le tuyau d'alimentation d'eau au coude à angle droit.

- Glisser l'écrou à compression, puis la bague sur l'extrémité du tuyau d'eau.
- Insérer le tuyau d'eau dans le coude à angle droit.
- Glisser la bague contre le coude et fixer à l'aide de l'écrou à compression.

IMPORTANT – Veiller à ce que le ressort de porte ne frotte ni ne heurte le tuyau de remplissage ou le tuyau d'alimentation d'eau. Faire un essai en ouvrant et fermant la porte. Placer les tuyaux autrement si un bruit ou une interférence sont décelés.

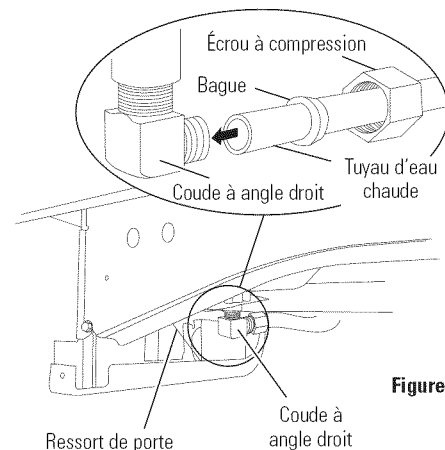


Figure CC

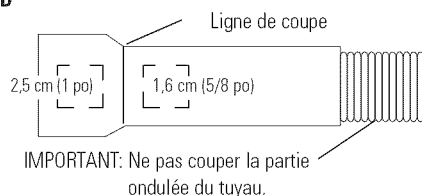
Instructions d'installation

ÉTAPE 17 RACCORDEMENT DU TUYAU DE VIDANGE

L'extrémité moulée du tuyau de vidange s'adapte aux orifices d'entrée de 1,6 cm (5/8 po) à 2,5 cm (1 po) de diamètre sur un dispositif anti-siphon, un raccord en té d'égout ou un broyeur à déchets.

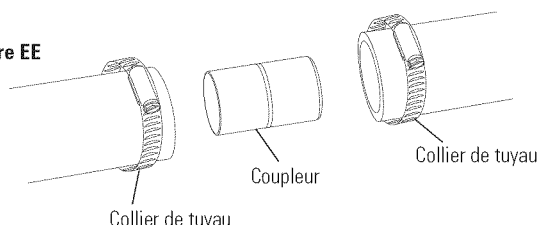
- Déterminer le diamètre de l'orifice d'entrée.
- Couper le raccord de tuyau de vidange sur la ligne marquée, si nécessaire, pour l'adaptation à l'orifice d'entrée.

Figure DD



- Si un tuyau plus long est nécessaire et que vous n'avez pas acheté le tuyau GPF10L de 3 m (10 pi) de long, ajouter une longueur de 1 m (3-1/2 pi) au tuyau installé à l'usine, pour un total de 3 m (10 pi). Utiliser un tuyau de diamètre intérieur de 1,6 cm (5/8 po) ou de 2,2 cm (7/8 po) et un coupleur pour raccorder les deux extrémités du tuyau. Fixer le raccordement à l'aide de colliers pour tuyau.

Figure EE



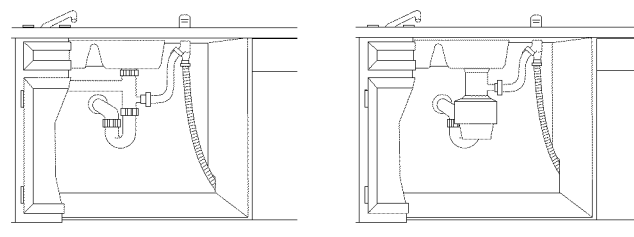
NOTE : LA LONGUEUR TOTALE DU TUYAU DE VIDANGE NE DOIT PAS DÉPASSER 3 M (10 PI) POUR OBTENIR UNE VIDANGE ADÉQUATE.

INSTALLATION DU TUYAU DE VIDANGE

- Raccorder le tuyau de vidange au dispositif anti-siphon, au raccord en té d'égout ou au broyeur à déchets à l'aide de la méthode précédemment déterminée.
- Fixer le tuyau de vidange au dispositif anti-siphon, au raccord en té d'égout ou au broyeur à déchets à l'aide de colliers.

Méthode 1—Dispositif anti-siphon avec raccord en té ou broyeur à déchets

Insérer le tuyau de vidange dans le dispositif anti-siphon comme illustré.



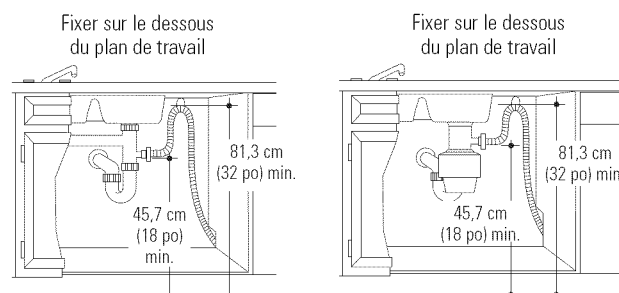
Installation avec raccord en té d'égout

Figure FF

Installation avec broyeur à déchets

Méthode 2—Boucle de vidange élevée avec raccord en té d'égout ou broyeur à déchets

Acheminer le tuyau de vidange du lave-vaisselle jusqu'à une hauteur minimale de 81 cm (32 po) du plancher à l'aide du support fourni, comme illustré.



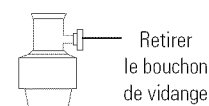
Installation avec raccord en té d'égout

Figure GG

Installation avec broyeur à déchets

IMPORTANT – Une des méthodes ci-dessus doit être utilisée sinon le lave-vaisselle ne fonctionnera pas correctement.

IMPORTANT – Lors du raccordement du tuyau de vidange au broyeur à déchets, s'assurer que le bouchon de vidange a été enlevé. LE LAVE-VAISSELLE NE SE VIDANGERA PAS SI LE BOUCHON EST LAISSÉ EN PLACE.



CONSEIL : Pour éviter des frais de service superflus, toujours s'assurer que le bouchon de vidange a été enlevé avant de raccorder le tuyau de vidange du lave-vaisselle au broyeur à déchets.

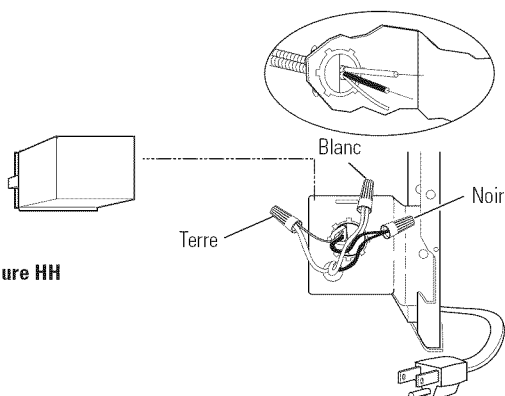
Instructions d'installation

ÉTAPE 18 BRANCHEMENT À L'ALIMENTATION ÉLECTRIQUE

Sauter cette étape si le lave-vaisselle est équipé d'un cordon électrique.

S'assurer que l'alimentation électrique est allumée à la source.

- Repérer le couvercle de boîte de jonction mis de côté à l'étape 1.
- Fixer les fils de la maison à l'arrière de la boîte de jonction à l'aide d'un dispositif de réduction de tension.
- Repérer les trois fils du lave-vaisselle (blanc, noir et vert) aux bouts dénudés. Insérer les fils du lave-vaisselle à travers le petit trou de la boîte de jonction. À l'aide de serre-fils homologués UL de la taille appropriée, raccorder les fils du lave-vaisselle à ceux de la maison, par paires de même couleur.
- Installer le couvercle de boîte de jonction. S'assurer que les fils ne sont pas coincés sous le couvercle.



AVERTISSEMENT

Si le filage de la maison ne comporte pas 2 fils plus un fil de terre, la mise à la terre doit être effectuée par un installateur. Lorsque le filage de la maison est en aluminium, veiller à utiliser un composé anti-oxydant et des connecteurs « aluminium à cuivre » homologués UL.

ÉTAPE 19 LISTE DE VÉRIFICATION AVANT DE FAIRE LES ESSAIS

Examiner cette liste après l'installation du lave-vaisselle pour éviter les frais d'intervention qui ne sont pas couverts par la garantie.

- Vérifier que le système est hors tension Arrêt (Off).
- Ouvrir la porte et enlever tout emballage en mousse et papier.
- Trouver le Manuel d'utilisation mis de côté à l'étape 1.
- Lire les instructions d'utilisation dans le Manuel d'utilisation.
- Vérifier l'ouverture et la fermeture de la porte. Si la porte ne s'ouvre pas ou ne se ferme pas librement, vérifier le passage du câble de ressort sur la poulie. Si la porte tombe ou se ferme lorsque relâchée, régler la tension des ressorts. Consulter l'étape 3 et la Figure J.
- Vérifier que les fils sont bien en place sous le lave-vaisselle, qu'ils ne sont pas pincés ni en contact avec les ressorts de porte ni autres éléments. Consulter l'étape 9.
- Vérifier l'alignement de la porte par rapport à la cuve. Si la porte heurte la cuve, mettre le lave-vaisselle de niveau. Consulter l'étape 14.
- Sortir l'égouttoir de moitié. Vérifier qu'il ne recule ni n'avance. Si l'égouttoir se déplace, régler les pattes de nivellement. Consulter l'étape 14.
- Vérifier l'alignement de la porte par rapport à l'armoire. Si la porte touche l'armoire, repositionner le lave-vaisselle ou le remettre à niveau. Consulter les étapes 13, 14 et 15.
- Vérifier que le ressort de la porte n'est pas en contact avec le tuyau d'eau, le tuyau de remplissage, les fils et autres éléments. Consulter l'étape 16.
- Vérifier que le tuyau d'alimentation d'eau et le tuyau de vidange ne sont pas pincés ni en contact avec d'autres éléments. Le contact avec le moteur ou le châssis du lave-vaisselle peut causer des bruits. Consulter les étapes 9 et 11.
- Ouvrir le robinet d'eau chaude d'évier et vérifier la température de l'eau. L'eau d'alimentation doit avoir une température entre 49 °C et 65 °C (120 °F et 150 °F). Il faut une température d'au moins 49 °C (120 °F) pour obtenir le meilleur rendement du lave-vaisselle. Consulter « Préparation du tuyau d'eau chaude », page 7.
- Ajouter deux litres d'eau au fond du lave-vaisselle pour lubrifier le joint de la pompe.
- Ouvrir le robinet d'eau. Vérifier qu'il n'y a pas de fuites. Serrer les connexions au besoin.
- Si elle est présente, enlever la pellicule de protection qui recouvre le panneau de commande et la porte.
- Pour éviter des frais de service superflus, s'assurer de la présence d'un dispositif anti-siphon ou d'un tuyau de vidange raccordé à une hauteur minimale de 81 cm (32 po).

Instructions d'installation/Dimensions du panneau sur commande

ÉTAPE 20 ESSAI DU LAVE-VAISSELLE AVEC DE L'EAU

- Mettre le circuit sous tension (ou brancher le cordon d'alimentation dans la prise de courant, si installée).
- Mettre le lave-vaisselle en marche pour vérifier qu'il n'y a pas de fuites.
 - Appuyer sur la touche RINSE ONLY (Rinçage seulement)
 - Appuyer une fois sur la touche START/RESET (Démarrage/Remise à zéro)
 - Fermer la porte
- Vérifier que l'eau entre dans le lave-vaisselle. Si l'eau n'entre pas dans le lave-vaisselle, vérifier que le robinet d'alimentation est ouvert et que le circuit est sous tension.
- Vérifier qu'il n'y a pas de fuites sous le lave-vaisselle. S'il y a une fuite, couper l'alimentation électrique et serrer les raccordements. Remettre le lave-vaisselle sous tension après avoir éliminé les fuites.
- Vérifier qu'il n'y a aucune fuite autour de la porte. Une fuite autour de la porte peut être causée par un frottement de la porte ou un impact avec l'armoire adjacente. Repositionner le lave-vaisselle si nécessaire. Consulter les étapes 13, 14 et 15.
- Le lave-vaisselle se vidange et s'arrête environ 5 minutes après la mise en marche. Inspecter le tuyau de vidange. S'il y a des fuites, mettre le circuit hors tension au coupe-circuit et corriger la plomberie selon le besoin. Remettre sous tension après avoir corrigé les problèmes. Consulter les étapes 10 et 17.
- Ouvrir la porte du lave-vaisselle et vérifier que la plus grande partie de l'eau est évacuée. Dans le cas contraire, vérifier que le bouchon du broyeur à ordures a été enlevé et que le dispositif anti-siphon n'est pas bouché. Consulter l'étape 17. Vérifier aussi que le tuyau n'est pas pincé.
- Faire fonctionner le lave-vaisselle pendant un autre cycle de « Rinse Only » (Rinçage seulement). Vérifier qu'il n'y a pas de fuite et corriger selon le besoin.

ÉTAPE 21 DÉTERMINATION DE LA DURETÉ DE L'EAU

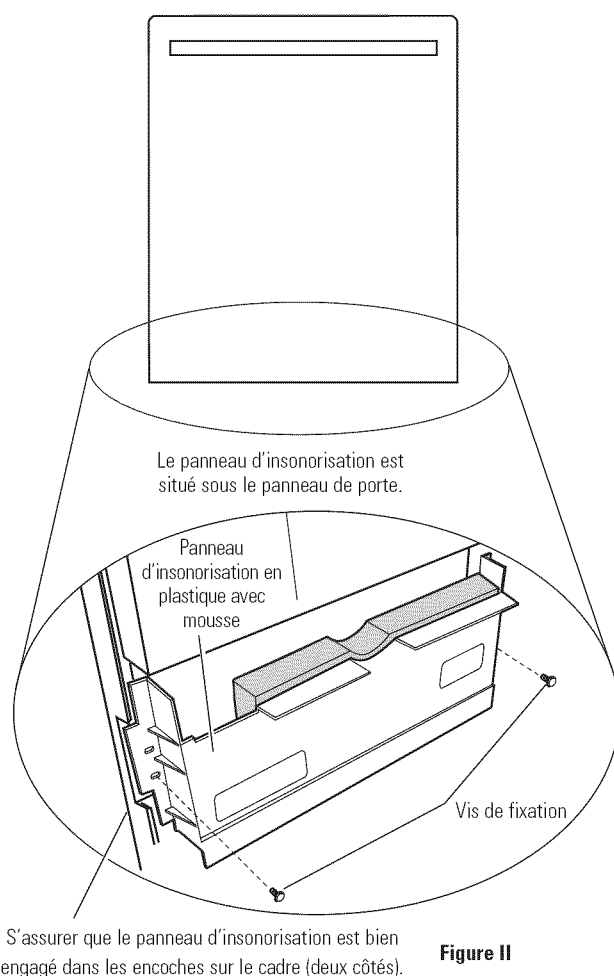
Modèles dotés d'un distributeur en vrac seulement. Sauter cette étape si votre lave-vaisselle n'est pas équipé de la fonction de distribution en vrac.

- Repérer la bande d'analyse de la dureté de l'eau mise de côté à l'étape 1.
- Retirer la bande de l'emballage.
- Ouvrir le robinet d'eau chaude et tenir la bande sous le jet d'eau en suivant les directives sur l'emballage.
- Utiliser la valeur apparaissant sur la bande d'analyse pour calibrer le lave-vaisselle en fonction de la dureté de l'eau. Se reporter à la section « Calibrage de la dureté de l'eau » du Manuel d'utilisation pour de l'information sur la manière de calibrer le lave-vaisselle.

ÉTAPE 22 INSTALLATION DE LA TROUSSE D'AMÉLIORATION DE L'INSONORISATION (CERTAINS MODÈLES)

Sauter cette étape si votre modèle n'est pas équipé d'une trousse d'amélioration de l'insonorisation.

- Repérer la trousse d'amélioration de l'insonorisation mise de côté à l'étape 1 et les deux vis mises de côté à l'étape 6.
- À l'aide des deux vis, fixer le panneau d'insonorisation en plastique comme illustré à la Figure II. Le groupe de trous de montage inférieur doit être utilisé.
- S'assurer que le panneau d'insonorisation est bien engagé dans les encoches sur le cadre, comme illustré à la Figure II.



ÉTAPE 23 INSTALLATION DE LA PLINTHE

- Repérer la plinthe et les vis mises de côté à l'étape 5.

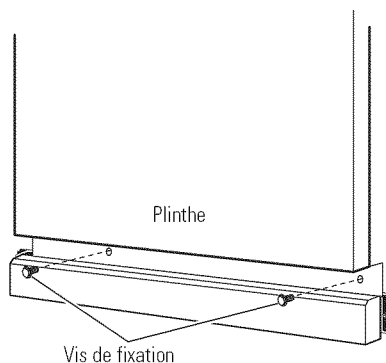


Figure JJ

- Replacer la plinthe et s'assurer qu'elle s'appuie contre le plancher.
- Insérer et serrer les deux vis de fixation de la plinthe. La plinthe doit rester en contact avec le plancher pour assurer le fonctionnement silencieux du lave-vaisselle.

ÉTAPE 24 DOCUMENTATION

- S'assurer de laisser l'emballage complet de documentation, les instructions d'installation et les échantillons de produit au consommateur.

NOTE : En exécutant les installations décrites dans ce livret, il faut porter des lunettes de sécurité.

Pour un service local Monogram® dans votre région, appeler le 1.800.444.1845.

NOTE : Chez General Electric, nous nous efforçons continuellement d'améliorer les produits. Par conséquent, les matériaux, l'aspect et les caractéristiques sont assujettis à des changements sans préavis.

Pub. N° . 31-30246

Pièce N° 206C1559P184

10-08 JR



GE Consumer & Industrial
Appliances
General Electric Company
Louisville, KY 40225
ge.com