

# EMPIRE

COMFORT SYSTEMS

# Mantis™

## OWNER'S MANUAL

### WARNING



**HOT GLASS WILL CAUSE BURNS. DO NOT TOUCH GLASS UNTIL COOLED. NEVER ALLOW CHILDREN TO TOUCH GLASS.**



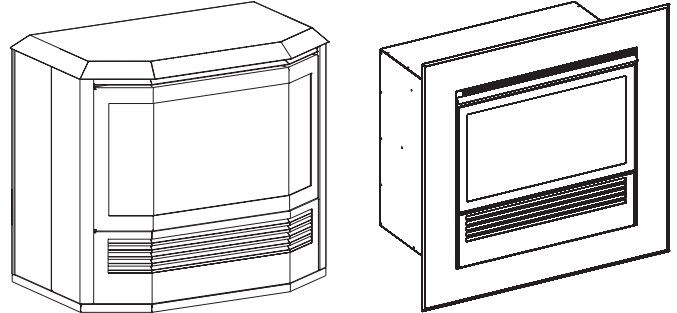
We suggest that our gas hearth products be installed and serviced by professionals who are certified in the U.S. by the National Fireplace Institute® (NFI) as NFI Gas Specialists.

**WARNING:** If not installed, operated and maintained in accordance with the manufacturer's instructions, this product could expose you to substances in fuel or from fuel combustion which can cause death or serious illness.

**Installer:** Leave this manual with the appliance.  
**Consumer:** Retain this manual for future reference.

**WARNING:** If the information in these instructions are not followed exactly, a fire or explosion may result causing property damage, personal injury or loss of life.

- Do not store or use gasoline or other flammable vapors and liquids in the vicinity of this or any other appliance.
- **WHAT TO DO IF YOU SMELL GAS**
  - Do not try to light any appliance.
  - Do not touch any electrical switch; do not use any phone in your building.
  - Immediately call your gas supplier from a neighbor's phone. Follow the gas supplier's instructions.
  - If you cannot reach your gas supplier, call the fire department.
- Installation and service must be performed by a qualified installer, service agency or the gas supplier.



### POWER-VENT HIGH-EFFICIENCY FIREPLACE

#### BAY WINDOW MANTIS MODELS

BF28(B,C,G)M(K)(N,P)-4

BP28(B,C,G)M(K)(N,P)-4

#### FIREPLACE MANTIS MODELS

FF28BM(K)(N,P)-2

FW28BM(K)(N,P)-2



Young children should be carefully supervised when they are in the same room as the appliance. Toddlers, young children and others may be susceptible to accidental contact burns. A physical barrier is recommended if there are at risk individuals in the house. To restrict access to a fireplace or stove, install an adjustable safety gate to keep toddlers, young children and other at risk individuals out of the room and away from hot surfaces.

This appliance may be installed in an aftermarket, permanently located, manufactured home (USA only) or mobile home, where not prohibited by state or local codes.

This appliance is only for use with the type of gas indicated on the rating plate. This appliance is not convertible for use with other gases, unless a certified kit is used.

# IMPORTANT SAFETY INFORMATION

## THIS IS A HEATING APPLIANCE

Safety markings are frequently used in this manual to designate a degree or level of seriousness and should not be ignored.

**⚠ WARNING** indicates a potentially hazardous situation that if not avoided, could result in personal injury or death.

**⚠ CAUTION** indicates a potentially hazardous situation that if not avoided, may result in minor or moderate injury or property damage.

### **⚠ WARNING**

This appliance must be installed and repaired by a qualified service person who is familiar with the proper installation and operation of the Mantis Power-Vent High Efficiency Fireplace. Installers who are not familiar with the installation of the Mantis and have questions, should contact Empire Comfort Systems, Inc. prior to installing the appliance to avoid creating a hazardous operating condition.

- Due to high temperatures the appliance should be located out of traffic and away from furniture and draperies.
- Children and adults should be alerted to the hazards of high surface temperatures and should stay away to avoid burns or clothing ignition.
- Young children should be carefully supervised when they are in the same room as the appliance. Toddlers, young children and others may be susceptible to accidental contact burns. A physical barrier is recommended if there are at risk individuals in the house. To restrict access to a fireplace or stove, install an adjustable safety gate to keep away toddlers, young children and other at risk individuals out of the room and away from hot surfaces.
- Clothing or other flammable material should not be placed on or near the appliance.
- Any safety screen or guard removed for servicing an appliance, must be replaced prior to operating the appliance.
- Keep burner and control compartment clean.
- For manufactured home (USA only) or mobile home or residential installation convertible for use with natural gas and liquefied petroleum gases when provision is made for the simple conversion from one gas to the other.

### **⚠ WARNING**

Installation and repair should be done by a **QUALIFIED SERVICE PERSON**. The appliance should be inspected before use and at least annually by a qualified service person. More frequent cleaning may be required due to excessive lint from carpeting, bedding materials, etc. It is imperative that control compartments, burners and circulating air passageways of the appliance be kept clean.

- **DO NOT** put anything around the heater that will obstruct the flow of combustion and ventilation air.
- **DO** keep the appliance area clear and free from combustible material, gasoline and other flammable vapors and liquids.
- **Do** examine venting system periodically and replace damaged parts.
- **Do** make a periodic visual check of burner. Clean and replace damaged parts.
- **DO NOT** use this heater if any part has been under water. Immediately call a qualified service technician to inspect the heater and to replace any part of the control system and any gas control which has been under water.
- **DO NOT** operate this appliance without the front panel installed.

# SAFETY INFORMATION FOR USERS OF LP-GAS

LP-Gas (Propane) is a flammable gas which can cause fires and explosions. In its natural state, propane is odorless and colorless. You may not know all the following safety precautions which can protect both you and your family from an accident. Read them carefully now, then review them point by point with the

members of your household. Someday, there may not be a minute to lose, everyone's safety will depend on knowing exactly what to do. If, after reading the following information, you feel you still need more information, please contact your gas supplier.

## LP-GAS WARNING ODOR

**If a gas leak happens, you should be able to smell the gas because of the odorant put in the LP-Gas. That's your signal to go into immediate action!**

- Do not operate electric switches, light matches, use your phone. Do not do anything that could ignite the gas.
- Get everyone out of the building, vehicle, trailer, or area. Do that IMMEDIATELY.
- Close all gas tank or cylinder supply valves.
- LP-Gas is heavier than air and may settle in low areas such as basements. When you have reason to suspect a gas leak, keep out of basements and other low areas. Stay out until firefighters declare them to be safe.
- Use your neighbor's phone and call a trained LP-Gas service person and the fire department. Even though you may not continue to smell gas, do not turn on the gas again. Do not re-enter the building, vehicle, trailer, or area.
- Finally, let the service man and firefighters check for escaped gas. Have them air out the area before you return. Properly trained LP-Gas service people should repair the leak, then check and relight the gas appliance for you.

## NO ODOR DETECTED - ODOR FADE

Some people cannot smell well. Some people cannot smell the odor of the chemical put into the gas. You must find out if you can smell the odorant in propane. Smoking can decrease your ability to smell. Being around an odor for a time can affect your sensitivity or ability to detect that odor. Sometimes other odors in the area mask the gas odor. People may not smell the gas odor or their minds are on something else. Thinking about smelling a gas odor can make it easier to smell.

The odorant in LP-Gas is colorless, and it can fade under some circumstances. For example, if there is an underground leak, the movement of the gas through soil can filter the odorant. Odorants in LP-Gas also are subject to oxidation. This

fading can occur if there is rust inside the storage tank or in iron gas pipes.

The odorant in escaped gas can adsorb or absorb onto or into walls, masonry and other materials and fabrics in a room. That will take some of the odorant out of the gas, reducing its odor intensity.

LP-Gas may stratify in a closed area, and the odor intensity could vary at different levels. Since it is heavier than air, there may be more odor at lower levels. Always be sensitive to the slightest gas odor. If you detect any odor, treat it as a serious leak. Immediately go into action as instructed earlier.

## SOME POINTS TO REMEMBER

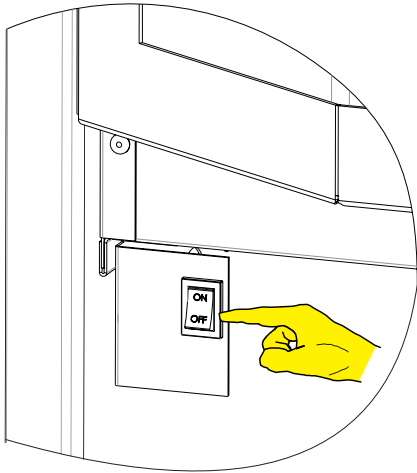
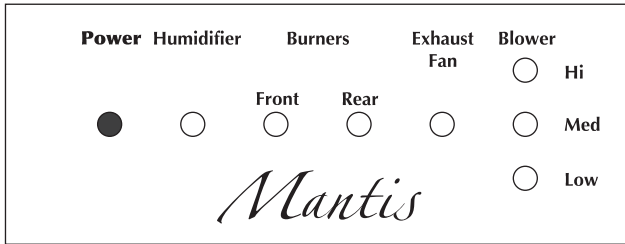
- Learn to recognize the odor of LP-Gas. Your local LP-Gas Dealer can give you a "Scratch and Sniff" pamphlet. Use it to find out what the propane odor smells like. If you suspect that your LP-Gas has a weak or abnormal odor, call your LP-Gas Dealer.
- If you are not qualified, do not light pilot lights, perform service, or make adjustments to appliances on the LP-Gas system. If you are qualified, consciously think about the odor of LP-Gas prior to and while lighting pilot lights or performing service or making adjustments.
- Sometimes a basement or a closed-up house has a musty smell that can cover up the LP-Gas odor. Do not try to light pilot lights, perform service, or make adjustments in an area where the conditions are such that you may not detect the odor if there has been a leak of LP-Gas.
- Odor fade, due to oxidation by rust or adsorption on walls of new cylinders and tanks, is possible. Therefore, people should be particularly alert and careful when new tanks or cylinders are placed in service. Odor fade can occur in new tanks, or reinstalled old tanks, if they are filled and allowed to set too long before refilling. Cylinders and tanks which have been out of service for a time may develop internal rust which will cause odor fade. If such conditions are suspected to exist, a periodic sniff test of the gas is advisable. If you have any question about the gas odor, call your LP-Gas dealer. A periodic sniff test of the LP-Gas is a good safety measure under any condition.
- If, at any time, you do not smell the LP-Gas odorant and you think you should, assume you have a leak. Then take the same immediate action recommended above for the occasion when you do detect the odorized LP-Gas.
- If you experience a complete "gas out," (the container is under no vapor pressure), turn the tank valve off immediately. If the container valve is left on, the container may draw in some air through openings such as pilot light orifices. If this occurs, some new internal rusting could occur. If the valve is left open, then treat the container as a new tank. Always be sure your container is under vapor pressure by turning it off at the container before it goes completely empty or having it refilled before it is completely empty.

# Operating the Heater

## Before you start

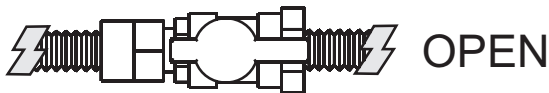
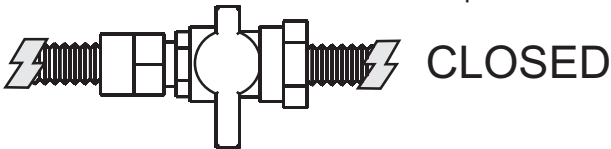
### 1. Verify there is electrical power to the unit.

If electrical power is present, the Power light on the front control panel will be illuminated. If the Power light is not illuminated, verify the heater is plugged in and the breaker and the main power switch are on.



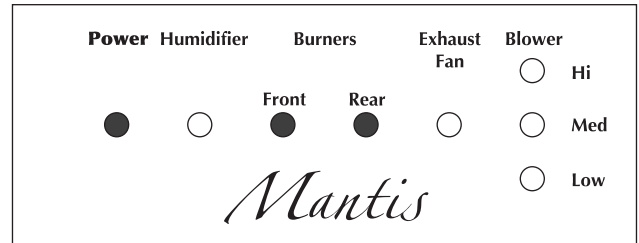
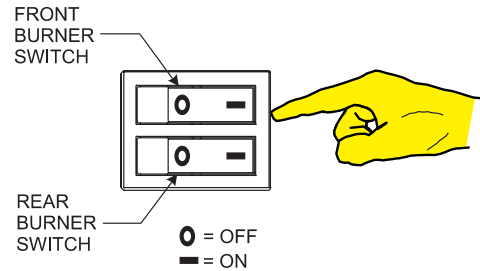
### 2. Verify the main gas supply to the unit is on.

The shutoff valve should be in the "OPEN" position.

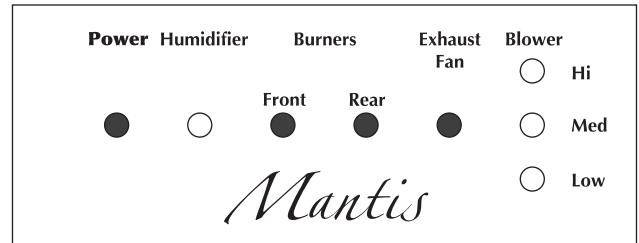


## How to Start the Heater – Both Burners Operating

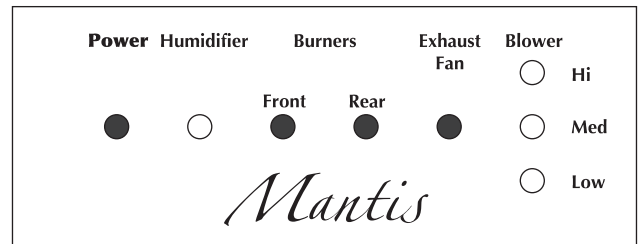
1. Turn both Front and Rear burner switches to the "ON" position and adjust the thermostat to the desired temperature (if equipped). Both the Front and Rear lights should be illuminated, and the rear burner light will flash.



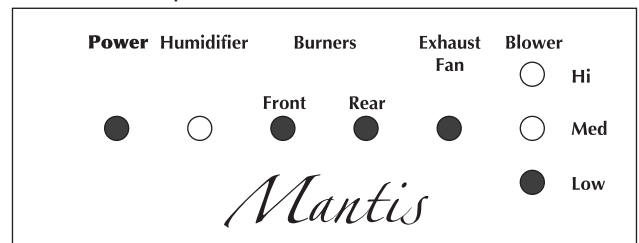
2. The light for the Exhaust Fan will illuminate as the heater prepares to ignite.



3. In 15 to 20 seconds, the rear igniter will glow red, and the burner will light.
4. After the rear burner is lit, the front light will flash and the igniter will start to glow red and the front burner will light.

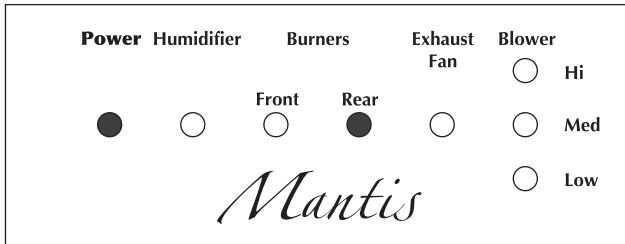


5. The Blower light will illuminate after 3 to 5 minutes. The blower will automatically advance to a higher speed if it is needed. The blower speed will be indicated on the front control panel.

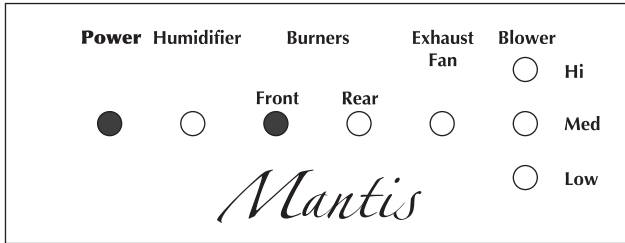


## How to Start the Heater – One Burner Only

1. Turn either the Rear or Front burner switch to the “ON” position. If the Rear burner is powered, the Rear display light will be illuminated. If the Front burner is powered, the Front display light will be illuminated.

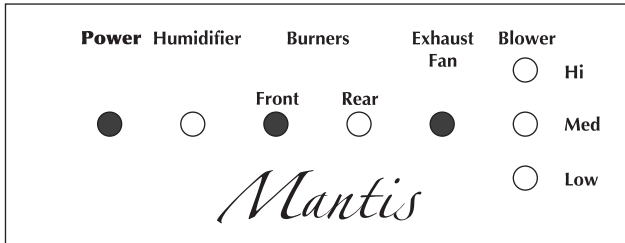


Rear burner only

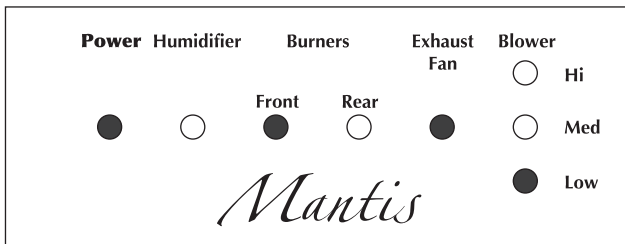


Front burner only

2. The light for the Exhaust Fan will illuminate as the heater prepares to ignite.



3. In 15 to 20 seconds, the appropriate igniter will glow red, and the burner will light.
4. The Blower light will become illuminated after 3 to 5 minutes. The blower will automatically advance to a higher speed if it is needed. The blower speed will be indicated on front control panel.



## How to Change Burners – Switching Burners

If the heater is being operated on one burner, and it is desired to change and operate the other burner, first turn the other burner “ON” before turning the original burner “OFF”.

The table below outlines the input rate of both front and rear burners.

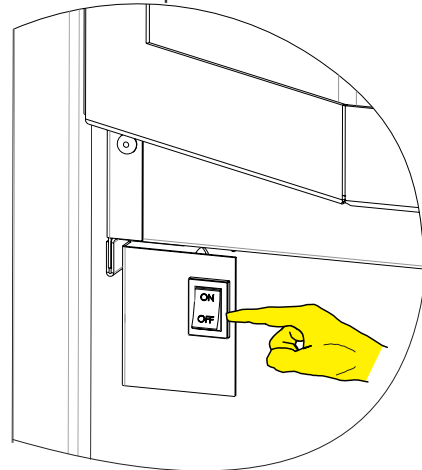
| Model             | Front Burner Input (BTUH) | Rear Burner Input (BTUH) |
|-------------------|---------------------------|--------------------------|
| Bay Window Mantis | 9,000                     | 19,000                   |
| Fireplace Mantis  | 13,000                    | 15,000                   |

**Example:** If the front burner is operating and then you would like more heat in the room and would like to change to the rear burner, first turn the rear burner switch “ON”, wait a second, then turn the front burner switch “OFF”. If this sequence is not followed, the control in the heater will lock up, and will need to be reset.

## How to Reset the Heater

If for any reason the heater needs to be reset, remove the front louvered cover from the heater, then turn the Main Power Switch to the “OFF” position. The heater must remain off for 5 minutes.

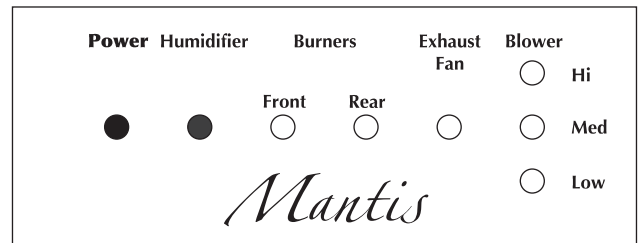
After waiting 5 minutes, the Main Power Switch can be moved to the “ON” position. Burner operation will resume.



## Humidifier Operation

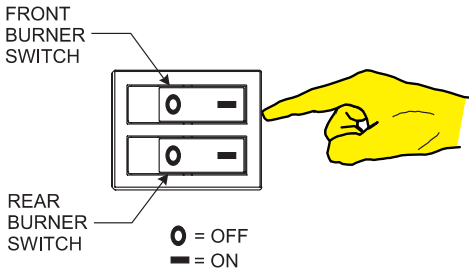
The Mantis Power-Vent High-Efficiency Fireplace has an automatic humidifier designed into the heater. As the heater operates, condensate is created and collected inside the heater. The condensate is then transferred to a pan where it evaporates into the air stream. The humidifier does not operate with every cycle.

While the condensate is being transferred to the pan, it is normal to hear a slight hissing sound. The Humidifier light will be illuminated while the condensate is being transferred.



## How to Turn the Heater Off

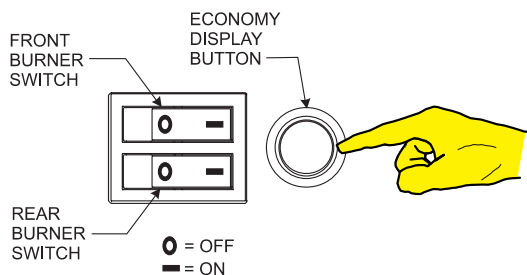
To turn the heater off, simply switch the burner switch or switches to the "OFF" position, turn the thermostat off, or adjust the temperature down. The burners will instantly go off, but the circulating blower will still operate until the heater cools off. It is normal for the blower to turn on and off while it is cooling down.



## How to Operate Economy Mode

To use the economy mode, the heater must be installed with a programmable control or two stage thermostat (model numbers FRBTP or TMV2).

Verify the burner switches are in the "OFF" position, and have been for at least 5 minutes. Press and release the red button that is located next to the burner switches. The button will illuminate.

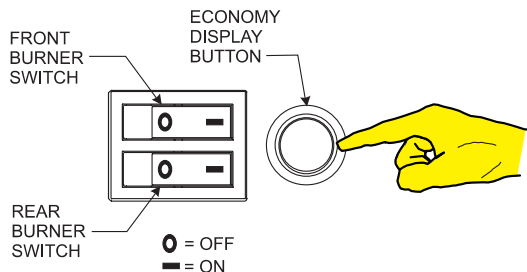


Next, turn both burner switches to the "ON" position.

The front burner will operate and will remain on. The rear burner will cycle with the thermostat.

## How to Deactivate Economy Mode

To deactivate the Economy Mode, press and release the red button. If desirable, the burner switches can be turned "OFF" or the thermostat will control the heat.



## How to Clean the Glass Door

### ⚠ WARNING

**Do not operated this appliance without the glass door in place. Do not operate if the glass front is broken or damaged. Do not use the glass door if the gasket is missing or damaged.**

Over time, the glass door will need to be cleaned. For best results, it is recommended to clean the glass with fireplace glass cleaner.

If the glass needs to be replaced, contact a qualified service person. Only glass approved by Empire Comfort Systems Inc. can be used, any other product will void the warranty.

To clean inside the glass door, the door will need to be removed.

### ⚠ CAUTION

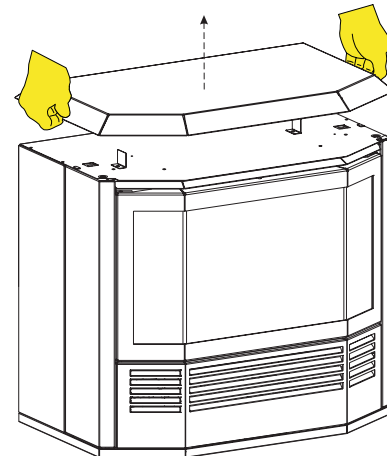
**Do not attempt to clean the glass when it is hot. Do not strike or hit the glass.**

### ⚠ CAUTION

**Be certain the glass is cool before handling.**

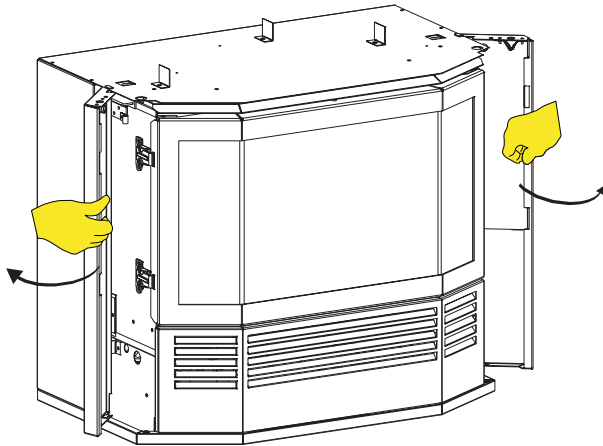
## How to Clean the Glass Door - Bay Window Mantis Models

First, remove the top of the cabinet by holding it on the sides and lifting off.

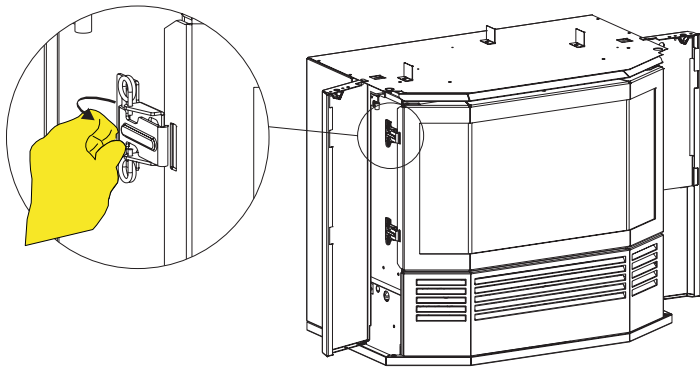


## Bay Window Mantis Models - Continued

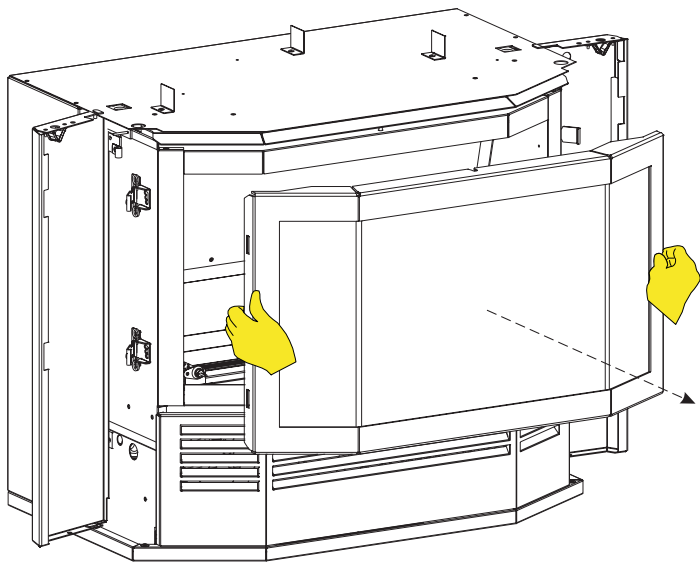
Second, open the panels on the right and left sides.



Next, release the two door latches on the left and the two door latches on the right side of the firebox.

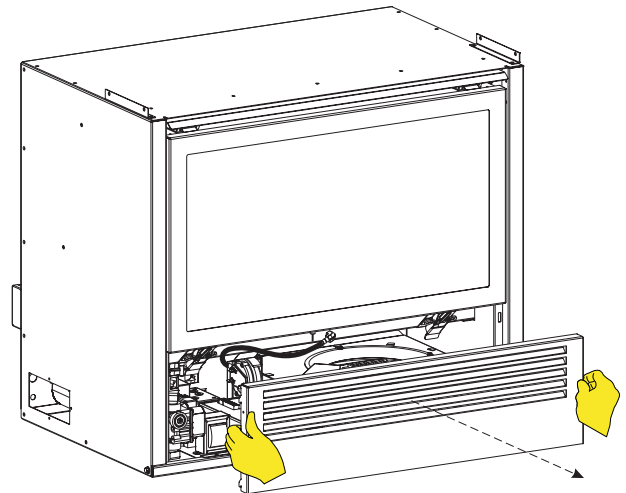
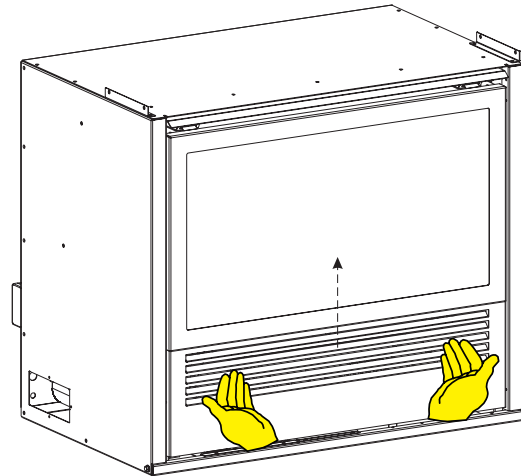


**Carefully** hold the glass frame and pull the glass door towards you. **DO NOT** damage or remove the gasket from the door.

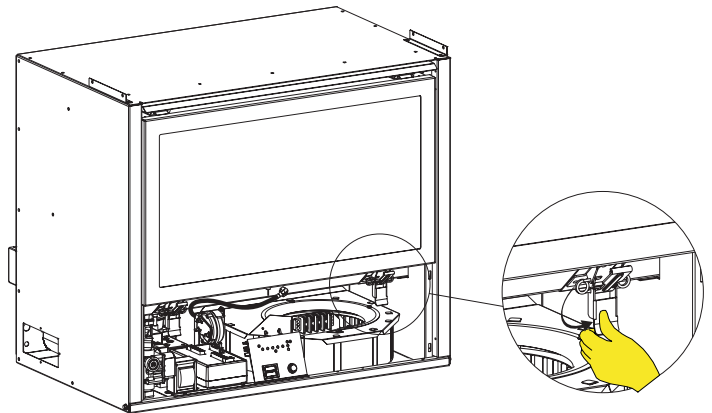


## How to Clean the Glass Door - Fireplace Mantis Models

First, remove the lower louvered panel by lifting up, then pulling out.

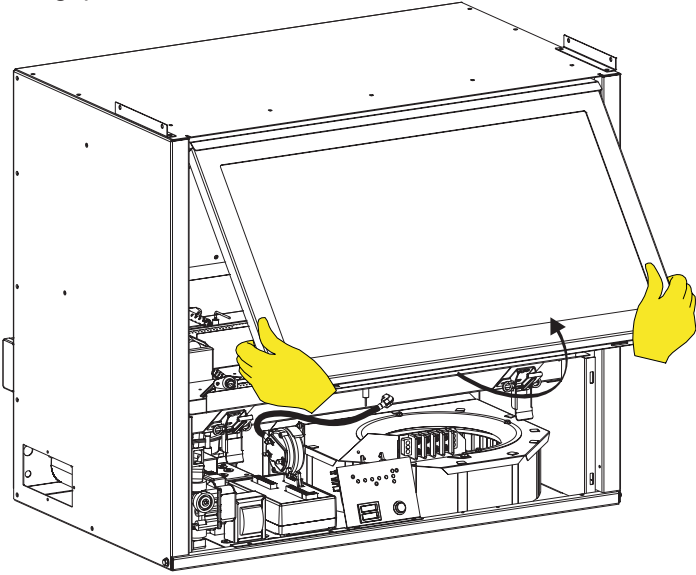


Second, release the two door latches on the underside of the firebox.

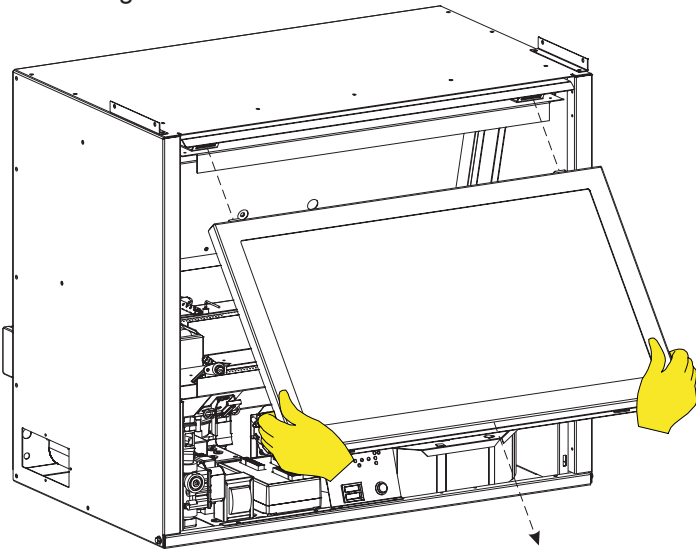


## Fireplace Mantis Models Continued

Next, hold the bottom of the glass door and lift, keeping a firm grip on the door.



Keep the glass angled to the firebox, then gently pull the glass door away from the heater. **DO NOT** damage or remove the gasket from the door.

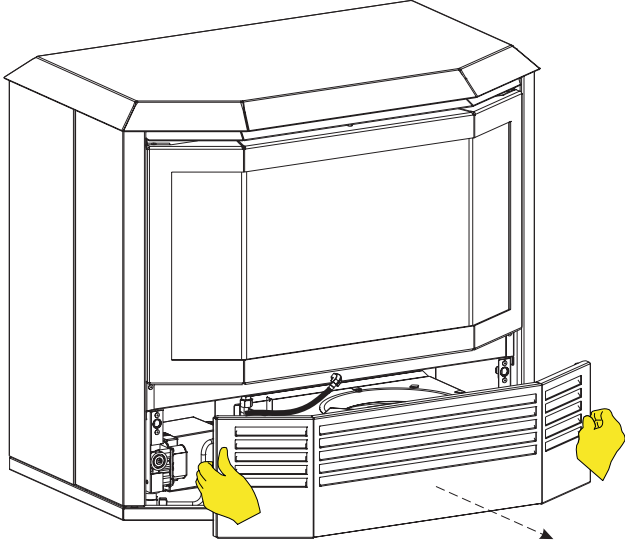




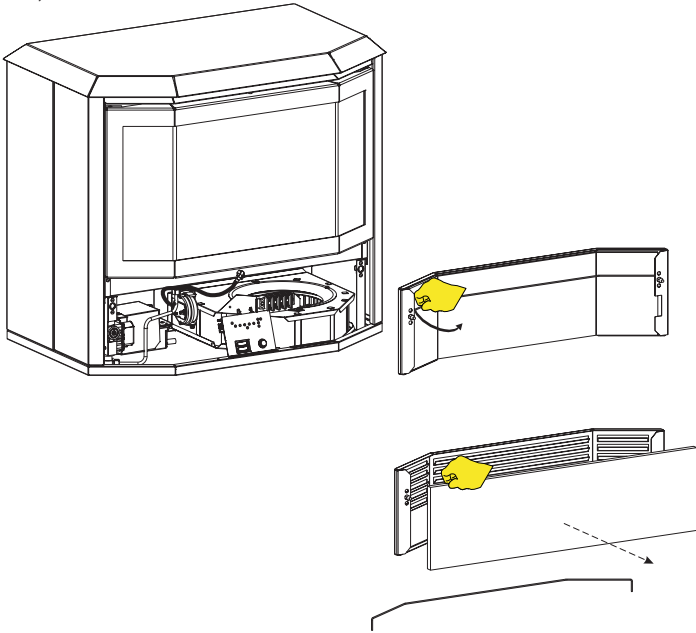
### **Removing the Filter - Bay Window Mantis Models**

The filter is located in the front of the heater, and this should be cleaned and checked once a month.

To remove the filter from the heater, remove the louvered panel.



The filter is secured to the panel by a filter rod. Remove the filter rod, then remove the filter.



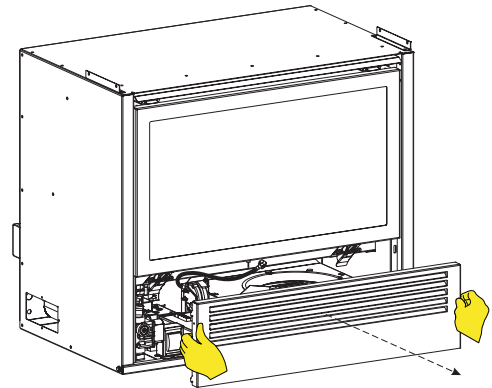
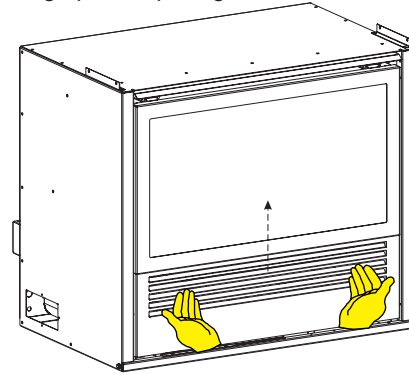
The filter can be rinsed with water to remove any dirt and debris. The filter can be dried with a soft towel and inserted back into the heater.

To reinstall the filter, place filter into louvered panel, reinsert the filter rod, then reattach the louvered panel to the heater.

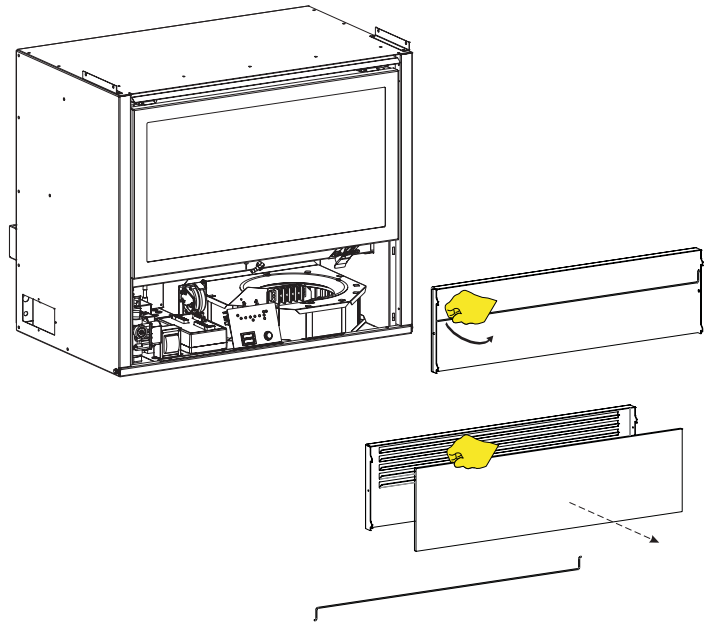
### **Removing the Filter - Fireplace Mantis Models**

The filter is located in the front of the heater, and this should be cleaned and checked once a month.

To remove the filter from the heater, remove the lower louvered panel by lifting up, then pulling out.



The filter is secured to the panel by a filter rod. Remove the filter rod, then remove the filter.



The filter can be rinsed with water to remove any dirt and debris. The filter can be dried with a soft towel and inserted back into the heater.

To reinstall the filter, place filter into the louvered panel, reinsert the filter rod, then reattach the louvered panel to the heater.

## **Service and Maintenance**

Although most service should be conducted by a qualified service person, there are several things that can be checked to ensure safe and comfortable operation.

The area surrounding the heater should be free from any types of combustible materials, and the filter should be checked and cleaned on a monthly basis. All other maintenance should be conducted by a qualified service person.

| <b>RECOMMENDED MAINTENANCE</b>                                   |   |   |
|--|---|---|
| <b>MAINTENANCE ITEM</b>  | <b>FREQUENCY OF MAINTENANCE</b>           |   |
|  | <b>MONTHLY<br/>CHECK BY<br/>HOMEOWNER</b> | <b>ANNUALLY<br/>CHECK BY A<br/>SERVICE PERSON</b> |
| Verify the area is free from combustible materials.              | X   | X   |
| Verify the combustion and ventilation air is not restricted.     |   | X   |
| Verify the flue and inlet pipes do not have any cracks or holes. |   | X   |
| Verify burner flame.   |   | X   |
| Clean or replace the filter.                                     | X   | X   |
| Clean the blower compartment                                     |   | X   |
| Clean the burners.   |   | X   |
| Verify the condensate system is clean and leak free.             |   | X   |





Empire Comfort Systems Inc.  
918 Freeburg Ave. Belleville, IL 62220

If you have a general question about our products, please e-mail us at  
[info@empirecomfort.com](mailto:info@empirecomfort.com).

If you have a service or repair question, please contact your dealer.

[www.empirecomfort.com](http://www.empirecomfort.com)

# EMPIRE

COMFORT SYSTEMS

# Mantis™

## MANUEL D'UTILISATION

### AVERTISSEMENT



LA VITRE CHAUDE PEUT  
CAUSER DES BRÛLURES.  
**NE TOUCHEZ PAS À LA VITRE**  
JUSQU'À CE QU'ELLE  
SOIT REFROIDIE.  
**NE PERMETTEZ JAMAIS AUX**  
ENFANTS DE TOUCHER LA VITRE.

NATIONAL  
FIREPLACE  
INSTITUTE



CERTIFIED  
[www.nficertified.org](http://www.nficertified.org)

Aux États-Unis, nous  
recommandons que nos  
appareils à gaz soient  
installés et entretenus  
par des professionnels  
certifiés de la NFI  
(National Fireplace Institute®).

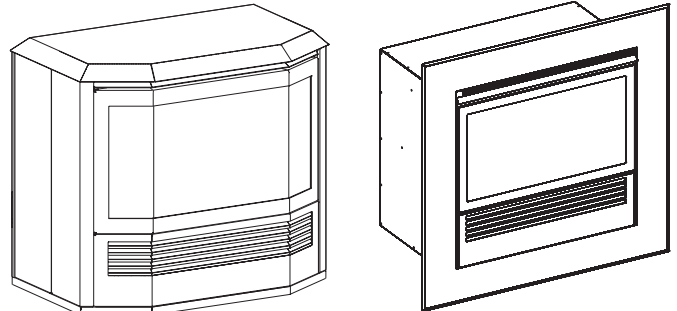
**AVERTISSEMENT :** Si l'installation, l'usage et l'entretien de ce produit ne sont pas faits selon les instructions du fabricant, ce produit peut vous exposer à des matières contenues dans le carburant ou provenant de la combustion du carburant lesquelles peuvent causer la mort ou de sérieuses maladies.

**Installateur :** Laissez ce manuel avec l'appareil.

**Consommateur :** Conservez ce manuel pour référence future.

**AVERTISSEMENT :** Si vous ne suivez pas exactement ces instructions, un incendie ou une explosion peut se produire causant des dommages à la propriété, des blessures corporelles ou la mort.

- N'entreposez pas ni utilisez d'essence ni d'autres vapeurs et liquides inflammables à proximité de cet appareil ou tout autre appareil.
- **QUE FAIRE SI VOUS SENTEZ UNE ODEUR DE GAZ**
  - N'essayez pas d'allumer un appareil quelconque.
  - Ne touchez pas à aucun interrupteur électrique, n'utilisez pas de téléphone dans votre immeuble.
  - Appelez immédiatement votre fournisseur de gaz en utilisant le téléphone du voisin. Suivez les instructions du fournisseur de gaz.
  - Si vous ne pouvez pas joindre le fournisseur de gaz, appelez le service d'incendie.
- L'installation et l'entretien doivent être effectués par un installateur qualifié, une agence de service ou par le fournisseur de gaz.



### VENTILATION MÉCANIQUE FOYER À HAUTE EFFICACITÉ

**MODÈLES DE FENÊTRE EN BAIE**  
BF28(B,C,G)M(K)(N,P)-4  
BP28(B,C,G)M(K)(N,P)-4

**MODÈLES DE DEVANTURE PLATE**  
FF28BM(K)(N,P)-2  
FW28BM(K)(N,P)-2



Les jeunes enfants doivent être surveillés attentivement lorsqu'ils se trouvent dans la même pièce que l'appareil. Les tout-petits, les jeunes enfants et autres personnes peuvent être susceptibles aux brûlures de contact accidentel. Une barrière physique est recommandée s'il y a des personnes à risque dans la maison. Pour limiter l'accès à un foyer ou un poêle, installez une barrière de sécurité ajustable pour garder les tout-petits, les jeunes enfants et autres personnes à risque de la salle et à l'écart des surfaces chaudes.

Cet appareil peut être installé dans une maison après-vente, préfabriquée et installée à demeure (É.-U. uniquement) ou dans une maison mobile, où il n'est pas interdit par les codes d'État ou les codes locaux.

Cet appareil est à utiliser uniquement avec le type de gaz indiqué sur la plaque signalétique. Cet appareil n'est pas convertible pour une utilisation avec d'autres gaz à moins qu'une trousse homologuée soit utilisée.

# RENSEIGNEMENTS IMPORTANTS SUR LA SÉCURITÉ

## CECI EST UN APPAREIL DE CHAUFFAGE

Les marquages de sécurité sont fréquemment utilisés dans ce manuel pour désigner un degré ou niveau de gravité et ne devront pas être ignorés.

**▲ AVERTISSEMENT** indique une situation potentiellement dangereuse que si elle n'est pas évitée, peut entraîner des blessures ou la mort.

**▲ ATTENTION** indique une situation potentiellement dangereuse que si elle n'est pas évitée, peut entraîner des blessures mineures ou modérées ou des dommages matériels.

### ▲ AVERTISSEMENT

Cet appareil doit être installé et réparé par un technicien qualifié qui est familier avec l'installation correcte et le fonctionnement du foyer de ventilation mécanique à haute efficacité Mantis. Les installateurs qui ne sont pas familiers avec l'installation de Mantis et qui ont des questions, doivent communiquer avec Empire Comfort Systems, Inc. avant d'installer l'appareil afin d'éviter la création d'un état de fonctionnement dangereux.

- À cause des hautes températures, cet appareil doit être situé dans un endroit non encombré et loin des meubles et rideaux.
- Les enfants et adultes doivent être avertis des dangers de températures de surface élevées et devraient rester à l'écart pour éviter des brûlures ou pour éviter d'enflammer leurs vêtements.
- Les jeunes enfants doivent être surveillés attentivement lorsqu'ils se trouvent dans la même pièce que l'appareil. Les tout-petits, les jeunes enfants et autres personnes peuvent être susceptibles aux brûlures de contact accidentel. Une barrière physique est recommandée s'il y a des personnes à risque dans la maison. Pour limiter l'accès à un foyer ou un poêle, installez une barrière de sécurité ajustable pour garder au loin les tout-petits, les jeunes enfants et autres personnes à risque de la salle et à l'écart des surfaces chaudes.
- Les vêtements ou autres matériaux inflammables ne doivent pas être placés sur ou près de l'appareil.
- Toute grille de protection ou tout écran retiré pour l'entretien d'un appareil doit être replacé avant de remettre en marche l'appareil.
- Gardez propres le brûleur et le compartiment de contrôle.
- Pour les installations dans des maisons pré-fabriquées (États-Unis seulement) ou des maisons mobiles ou résidentielles qui peuvent être utilisées avec le gaz naturel ou le gaz de pétrole liquéfié lorsque les dispositions nécessaires sont prises pour effectuer une simple conversion d'un gaz à l'autre.

### ▲ AVERTISSEMENT

L'installation et la réparation devront être effectuées par un **TECHNICIEN QUALIFIÉ**. L'appareil devrait être inspecté avant l'utilisation et au moins une fois par an par un technicien qualifié. Un nettoyage plus fréquent peut être nécessaire en raison des peluches provenant des tapis, matériaux de literie, etc. Il est impératif que les compartiments de commande, les brûleurs et les passages de circulation d'air de l'appareil restent propres.

- Ne mettez rien autour du radiateur qui pourrait obstruer le débit de combustion et de la ventilation d'air.
- Gardez la zone de l'appareil libre de tout matériau combustible, d'essence et d'autres vapeurs et de liquides inflammables.
- Examinez périodiquement le système de ventilation et remplacez les pièces endommagées.
- Faites un inspection visuelle de temps en temps du brûleur. Nettoyez et remplacez les pièces défectueuses.
- N'utilisez pas ce radiateur si aucune pièce a été sous l'eau. Appelez immédiatement un technicien de service qualifié pour inspecter le radiateur et remplacer toute pièce du système de commande et du contrôle du gaz qui a été sous l'eau.
- Ne faites pas fonctionner cet appareil sans le panneau avant installé.

# RENSEIGNEMENTS SUR LA SÉCURITÉ POUR LES UTILISATEURS DE GAZ DE PÉTROLE LIQUÉFIÉS (GPL)

Le propane est un gaz inflammable qui peut causer des incendies et des explosions. Dans son état naturel, le propane est inodore et incolore. Vous ne connaissez peut-être pas toutes les précautions de sécurité ci-dessous qui peuvent protéger à la fois vous et votre famille d'un accident. Lisez-les attentivement dès maintenant, ensuite passez en revue point par point les mesures de sécurité avec

les membres de votre famille. Un jour, il n'y aura pas une minute à perdre, la sécurité de chacun dépendra de savoir exactement quoi faire. Si, après avoir lu l'information suivante, vous voulez de plus amples renseignements, s'il vous plaît contactez votre fournisseur de gaz.

## ODEUR AVERTISSEUSE DU GAZ DE PÉTROLE LIQUÉFIÉS

**Si une fuite de gaz se produit, vous devriez être capable de sentir le gaz en raison de la substance odorante ajoutée au GPL.**

**C'est le signal pour passer à l'action immédiate!**

- N'utilisez pas des interrupteurs électriques, allumettes; utilisez votre téléphone. Ne faites rien qui pourrait enflammer le gaz.
- Évacuez tout le monde à l'extérieur du bâtiment, du véhicule, de la remorque, ou des lieux. Faites cela IMMÉDIATEMENT.
- Fermez toutes les soupapes d'alimentation des réservoirs et des bouteilles de gaz.
- Le gaz de pétrole liquéfiés est plus lourd que l'air et peut s'accumuler dans des endroits bas comme les sous-sols. Lorsque vous avez des raisons de suspecter une fuite de gaz, n'allez pas dans les sous-sols ou les endroits bas. Attendez que les pompiers vous assurent de la sûreté de ces endroits avant d'y retourner.
- Utilisez le téléphone de votre voisin et appelez un technicien qualifié GPL et le service d'incendie. Même si vous ne pouvez pas sentir le gaz, n'allumez pas le gaz à nouveau. Ne rentrez pas le bâtiment, le véhicule, la remorque, ou les lieux.
- Finalement, laissez le technicien et les pompiers vérifier les fuites de gaz. Demandez-les d'aérer les lieux avant d'y retourner. Les techniciens de service GPL correctement formés devront réparer la fuite, puis vérifier et rallumer l'appareil à gaz pour vous.

## AUCUNE ODEUR DÉCELÉE - FAIBLE ODEUR

Il y a des personnes qui ne peuvent pas sentir très bien. Il y a des personnes qui ne peuvent pas sentir l'odeur chimique mise dans le gaz. Vous devez chercher à savoir si vous pouvez sentir la substance odorante dans le propane. Fumer peut décroître votre capacité de sentir. Sentir une odeur pour un certain temps peut affecter votre sensibilité ou votre capacité de déceler cette odeur. Quelquefois d'autres odeurs, dans le même endroit, peuvent masquer l'odeur du gaz. Il y a des personnes qui ne peuvent pas sentir l'odeur du gaz ou que leur attention est sur quelque chose d'autre. Penser à sentir l'odeur du gaz peut faciliter la capacité de sentir.

La substance odorante du GPL est incolore et peut s'affaiblir selon certaines circonstances. Par exemple, s'il y a une fuite souterraine, le mouvement du gaz à travers le sol peut filtrer la substance odorante. Les substances odorantes dans le GPL sont également affectées

par l'oxydation. Cet affaiblissement peut survenir s'il y a de la rouille à l'intérieur du réservoir de stockage ou dans les tuyaux de fer pour le gaz.

La substance odorante dans le gaz échappé peut être absorbée ou absorbée sur ou dans les murs, la maçonnerie et d'autres matériaux et de tissus dans une chambre. Cela enlèvera une quantité de substance odorante du gaz, affaiblissant l'intensité de la senteur.

Le GPL peut stratifier dans un endroit fermé, et l'intensité de l'odeur peut varier à différents niveaux. Puisqu'il est plus pesant que l'air, l'odeur peut être plus prononcée à un bas niveau. Soyez toujours sensible à la moindre odeur de gaz. Si vous décelez une odeur, réagissez comme si vous aviez une sérieuse fuite. Passez immédiatement à l'action en suivant les instructions précédentes.

## QUELQUES POINTS À RETENIR

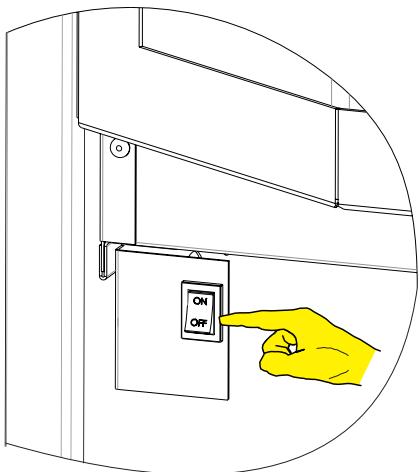
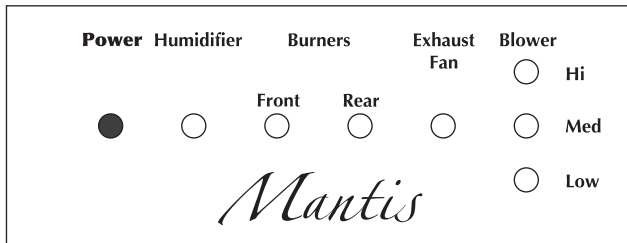
- Apprenez à reconnaître l'odeur du GPL. Votre distributeur de propane local peut vous donner un échantillon que vous grattez et sentez. Utilisez-le pour savoir reconnaître l'odeur du propane. Si vous soupçonnez que votre GPL a une odeur faible ou anormale, contactez votre distributeur de propane.
- Si vous n'êtes pas qualifié, n'allumez pas la veilleuse, ne faites pas d'entretien, ou ne faites pas des ajustements aux appareils sur le système GPL. Si vous êtes qualifié, soyez conscient de l'odeur du GPL avant et pendant que vous allumez la veilleuse, effectuez l'entretien ou faites les ajustements.
- Quelquefois un sous-sol ou une maison enfermée a une senteur de moisi qui peut dissimuler l'odeur du GPL. N'allumez pas la veilleuse, ne faites pas d'entretien, ou ne faites pas des ajustements dans un endroit où les conditions sont telles que vous ne pouvez pas déceler l'odeur du GPL en cas de fuite.
- L'affaiblissement d'odeur, attribuable à l'oxydation par la rouille ou l'absorption sur les parois des nouveaux réservoirs et bouteilles, est possible. Par conséquent, les personnes devraient être particulièrement attentives et prudentes lorsque de nouveaux réservoirs ou bouteilles sont mis en service. L'affaiblissement d'odeur peut se produire dans les nouveaux réservoirs ou dans les vieux réservoirs qui sont réinstallés, s'ils sont remplis et inutilisés pour une longue période de temps. La formation de rouille à l'intérieur des bouteilles et des réservoirs qui ne sont pas utilisés pour une longue période de temps peut provoquer un affaiblissement de l'odeur. Si vous pensez que de telles conditions existent, un test de senteur de gaz est recommandé périodiquement. Si vous avez des questions à propos de l'odeur du gaz, appelez votre distributeur de propane. En toute circonstance, un test de senteur périodique du gaz propane est une mesure de prudence.
- Si en aucun temps vous ne sentez pas la substance odorante du propane et que vous devriez, assumez que vous avez une fuite. Agissez immédiatement selon les recommandations ci-dessus, décrivant les actions à suivre en cas de décellement de gaz propane.
- Si vous découvrez que le réservoir est complètement vide de gaz (le réservoir n'a aucune pression de vapeur), fermez la soupape du réservoir immédiatement. Si la soupape du réservoir reste ouverte, le réservoir peut aspirer de l'air par les ouvertures, par exemple les orifices de la veilleuse. Si ceci survient, l'intérieur peut subir une formation supplémentaire de rouille. Si la soupape est restée ouverte, considérez le contenant comme étant un nouveau réservoir. Soyez toujours certain que le réservoir est sous pression de vapeur; fermez la soupape du réservoir avant qu'il ne soit complètement vide et faites le remplir.

# Fonctionnement du radiateur

## Avant de commencer

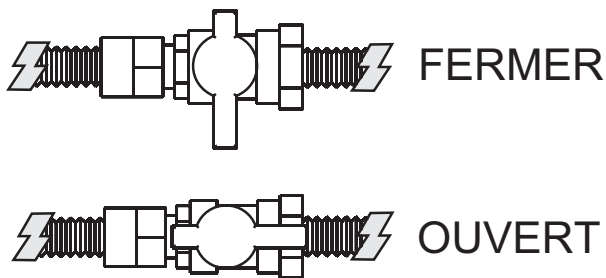
### 1. Vérifiez que l'appareil est alimenté.

Si la puissance électrique est présente, le voyant d'alimentation sur le panneau de commande avant doit être allumé. Si le voyant d'alimentation n'est pas allumé, vérifiez que le radiateur est branché et que le disjoncteur et l'interrupteur d'alimentation principal sont en marche.



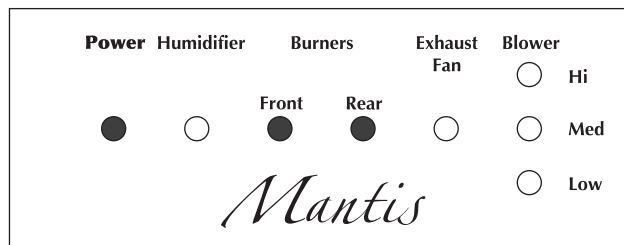
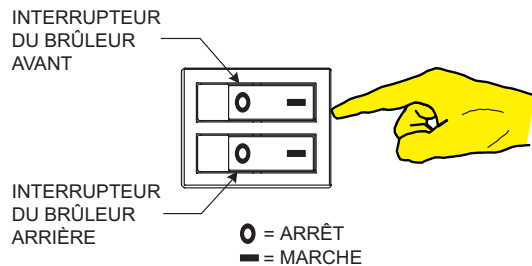
### 2. Vérifiez que l'alimentation principale de gaz est en marche.

Le robinet d'arrêt doit être à la position OUVERT.

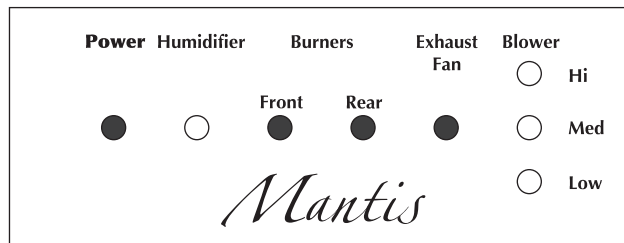


## Comment mettre en marche le radiateur - les deux brûleurs en marche

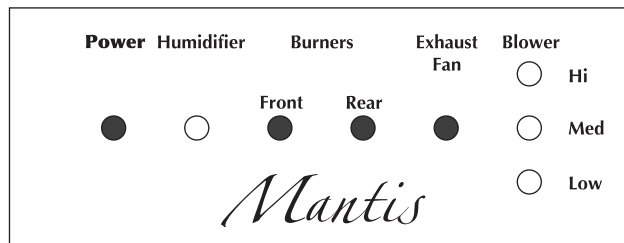
1. Allumez le brûleur avant et arrière en déplaçant l'interrupteur à la position « MARCHE » ou réglez le thermostat à la température désirée. Les lumières d'avant et d'arrière devront être allumées, et la lumière du brûleur clignotera.



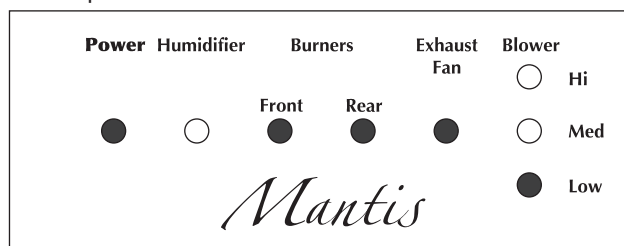
2. La lumière du ventilateur aspirant s'allumera lorsque le radiateur se prépare à s'enflammer.



3. Dans les 15 à 20 secondes, l'allumeur arrière sera rouge, et le brûleur s'allumera.
4. Après que le brûleur arrière est allumé, la lumière avant clignotera et l'allumeur va commencer à rougeoyer et le brûleur avant s'allumera.



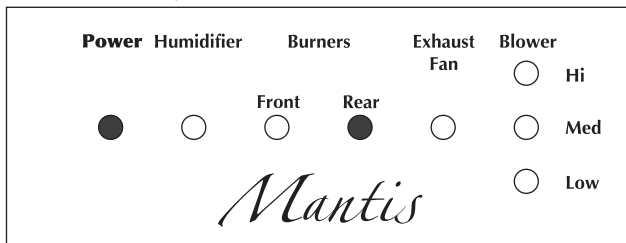
5. La lumière de la soufflante s'allumera après 3 à 5 minutes. La soufflante s'avancera automatiquement à une vitesse plus haute si nécessaire. La vitesse de la soufflante sera indiquée sur le panneau de commande avant.



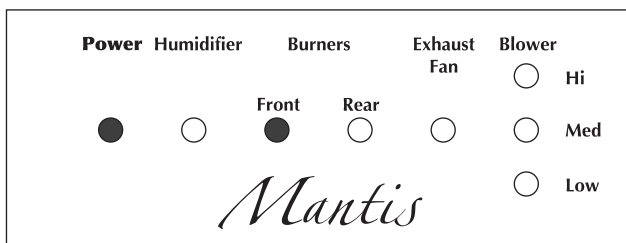


## Comment mettre en marche le radiateur - un brûleur seulement

1. Allumez le brûleur arrière ou avant en appuyant sur l'interrupteur à la position « MARCHE ». Si le brûleur arrière est alimenté, le voyant arrière s'allume. Si le brûleur avant est alimenté, le voyant avant s'allume.

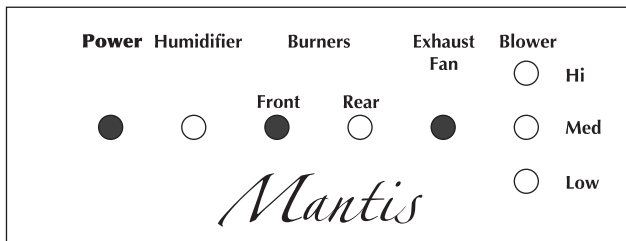


**Brûleur arrière seulement**

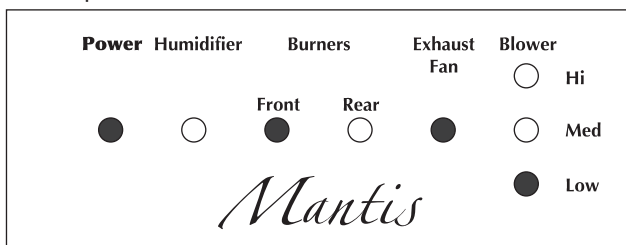


**Brûleur avant seulement**

2. La lumière du ventilateur aspirant s'allumera lorsque le radiateur se prépare à s'enflammer.



3. Dans les 15 à 20 secondes, l'allumeur arrière sera rouge, et le brûleur s'allumera.
4. La lumière de la soufflante s'allumera après 3 à 5 minutes. La soufflante s'avancera automatiquement à une vitesse plus haute si nécessaire. La vitesse de la soufflante sera indiquée sur le panneau de commande avant.



## Comment changer de brûleurs.

Si le radiateur fonctionne sur un brûleur, et qu'il est désiré de changer et de faire fonctionner l'autre brûleur, il faut premièrement mettre en marche l'autre brûleur avant d'arrêter le brûleur original.

Le tableau ci-dessous vous donne un aperçu du taux d'écoulement pour les brûleurs d'avant et d'arrière.

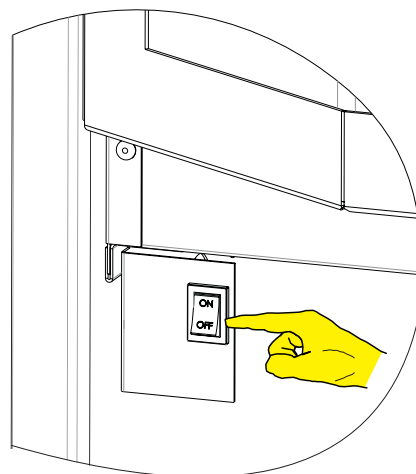
| Type de modèle  | Capacité du brûleur avant (Btu/h) | Capacité du brûleur arrière (Btu/h) |
|-----------------|-----------------------------------|-------------------------------------|
| Fenêtre en baie | 9,000                             | 19,000                              |
| Face plate      | 13,000                            | 15,000                              |

**Exemple :** Si le brûleur avant est en marche et que vous voulez plus de chaleur dans la pièce et vous voulez changer le brûleur arrière, allumez premièrement le brûleur arrière en appuyant sur l'interrupteur à la position « MARCHE », attendez une seconde, ensuite allumez le brûleur avant en appuyant sur l'interrupteur à la position « ARRÊT ». Si cette séquence n'est pas suivie, il y aura verrouillage du radiateur, et nécessitera d'être remis en marche.

## Comment remettre en marche le radiateur

Si pour quelque raison le radiateur doit être remis en marche, enlevez le couvercle d'aération du brûleur, ensuite appuyez sur l'interrupteur d'alimentation principal à la position « OFF » (arrêt). Le radiateur doit rester éteint pendant 5 minutes.

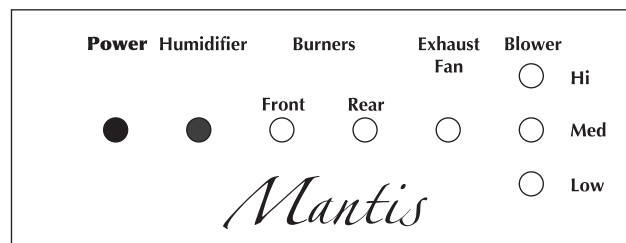
Après attendre 5 minutes, l'interrupteur d'alimentation principal peut être actionné à la position « ON » (marche). Le brûleur sera remis en marche.



## Fonctionnement de l'humidificateur

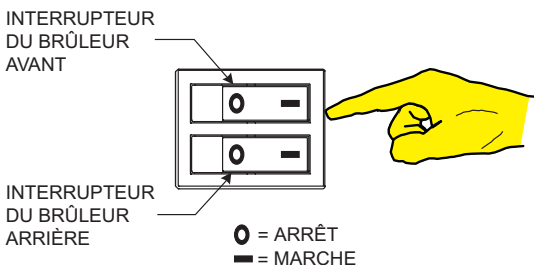
Le foyer de ventilation mécanique à haute efficacité Mantis comprend un humidificateur automatique intégré dans le radiateur. Pendant que le radiateur fonctionne, le condensat est créé et collecté à l'intérieur du radiateur. Le condensat est ensuite transféré à un plateau où il évapore dans le courant d'air.

Pendant que le condensat est transféré au plateau, il est normal d'entendre un léger sifflement. La lumière de l'humidificateur s'allumera pendant que le condensat est transféré.



## Comment éteindre le radiateur

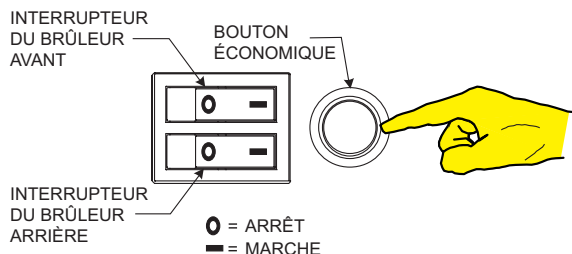
Pour éteindre le radiateur, éteignez tout simplement l'interrupteur du brûleur ou les interrupteurs à la position OFF (arrêt), éteignez le thermostat, ou réglez la température plus basse. Les brûleurs s'éteindront instantanément, mais la soufflante de circulation continuera de fonctionner jusqu'à ce que le radiateur refroidisse. Il est normal pour le brûleur de s'allumer et de s'éteindre pendant qu'il refroidit.



## Comment faire fonctionner en mode économique

Pour utiliser le mode économique, le radiateur doit être installé avec une commande programmable ou un thermostat à deux étages (FRBTP ou TMV2 numéros de modèle).

Vérifiez que les interrupteurs des brûleurs sont à la position ARRÊT, et qu'ils ont été depuis 5 minutes. Appuyez sur le bouton rouge situé près des interrupteurs des brûleurs. Le bouton s'allumera.

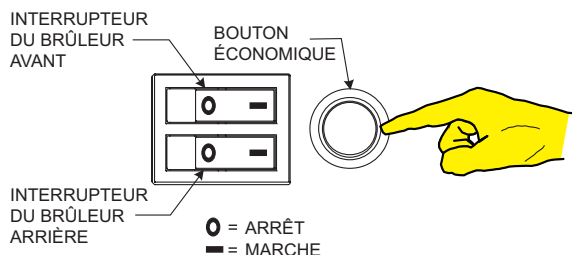


Ensuite, appuyez sur les interrupteurs des deux brûleurs à la position MARCHÉ.

Le brûleur avant sera mis en marche et restera allumé. Le brûleur arrière sera mis en marche par le thermostat.

## Comment désactiver en mode économique

Pour désactiver en mode économique, appuyez et relâchez le bouton rouge. Si cela est souhaitable, les interrupteurs des brûleurs peuvent être éteints « ARRÊT » ou le thermostat contrôlera la chaleur.



## Comment nettoyer la porte vitrée - renseignements généraux

### **AVERTISSEMENT**

**Ne faites pas fonctionner cet appareil sans la porte vitrée en place. Ne faites pas fonctionner si la porte vitrée est brisée ou endommagée. N'utilisez pas la porte vitrée si le joint d'étanchéité est manquant ou endommagé.**

Au fil du temps, la porte vitrée doit être nettoyée. Pour de meilleurs résultats, il est recommandé de nettoyer la vitre avec un nettoyant pour vitres de foyer.

Si la vitre doit être remplacée, contactez un technicien qualifié. Seule la vitre approuvée par l'Empire Comfort Systems Inc. peut être utilisée, tout autre produit annule la garantie.

Pour nettoyer la porte vitrée, la porte doit être enlevée.

### **ATTENTION**

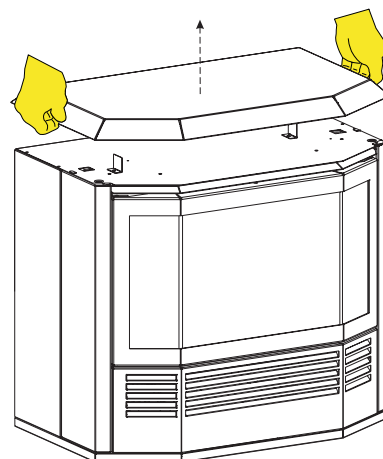
**N'essayez pas de nettoyer la vitre lorsqu'elle est chaude. Ne frappez pas la vitre.**

### **ATTENTION**

**Assurez-vous que la vitre est refroidie avant de la manipuler.**

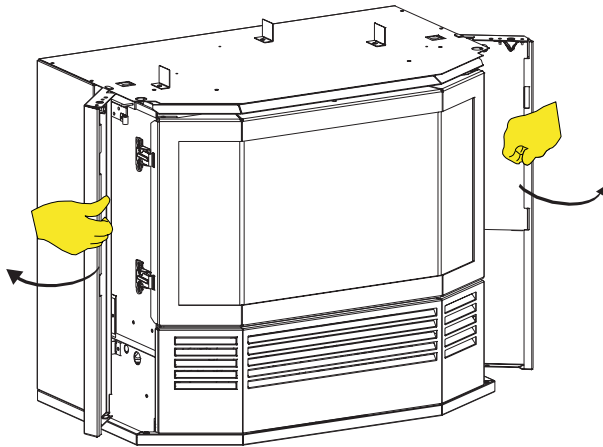
## Comment nettoyer la porte vitrée - modèles de fenêtre en baie

Premièrement, enlevez le dessus du cabinet en tenant les côtés et soulevez-le.

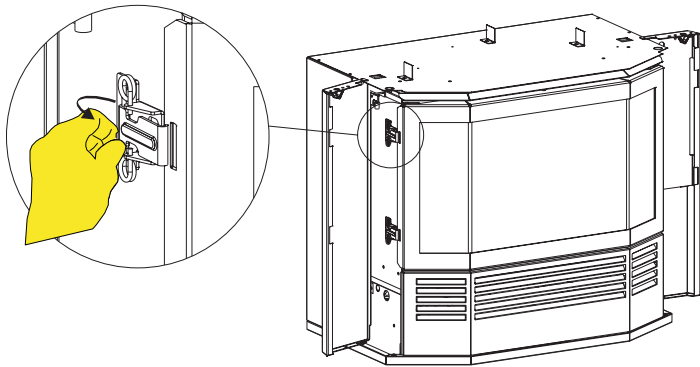


## Modèles de fenêtre en baie - suite

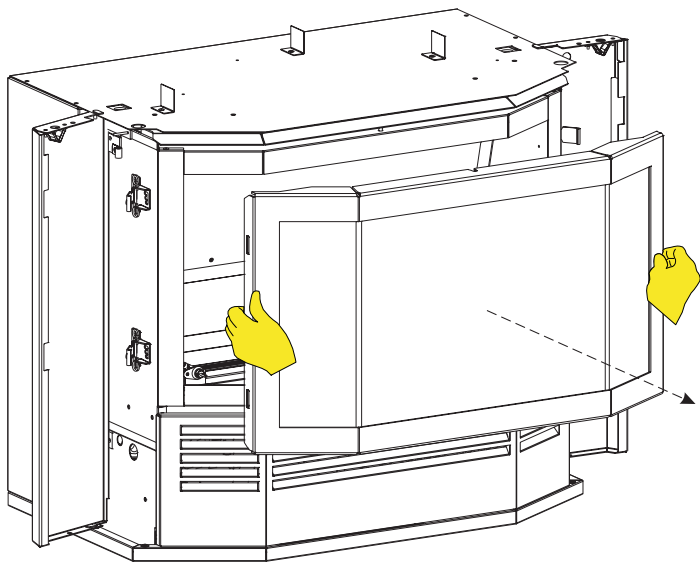
Deuxièmement, ouvrez les panneaux des côtés à la droite et à la gauche.



Ensuite, relâchez les deux loquets de chaque côté de la porte de la chambre de combustion.

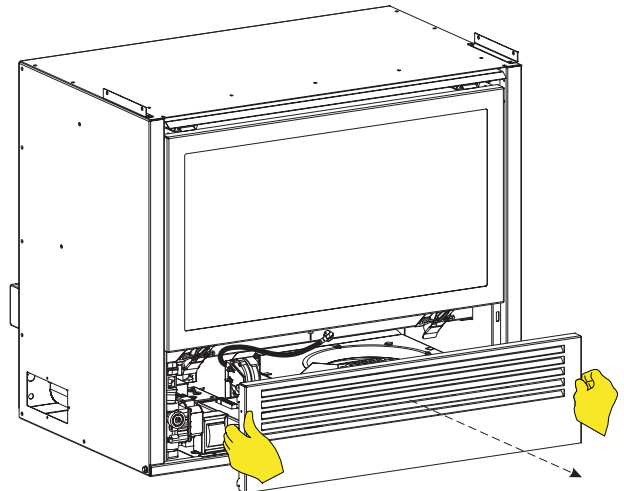
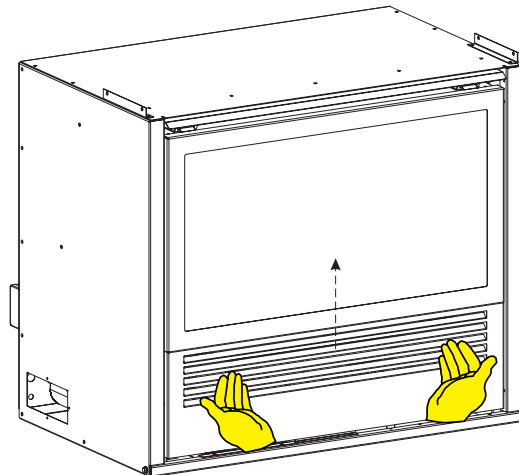


Tenez soigneusement le châssis du verre et tirez la porte vitrée vers vous. N'endommagez pas ou n'enlevez pas le joint d'étanchéité de la porte.

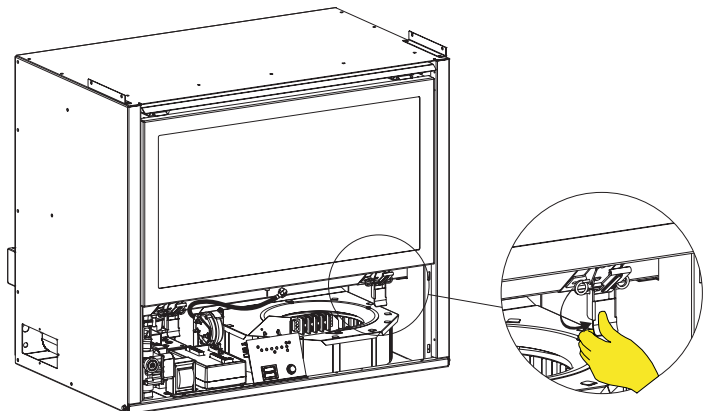


## Comment nettoyer la porte vitrée - modèles de devanture plate

Premièrement, enlevez le panneau d'aéragé en le soulevant, ensuite soulevez-le.

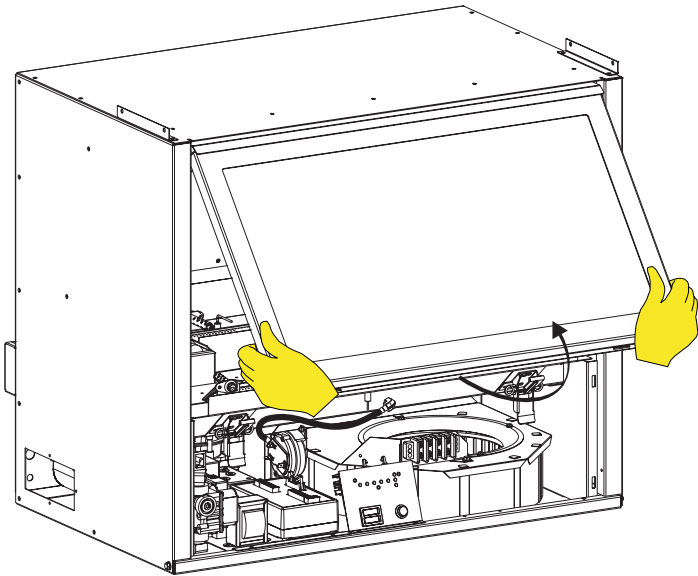


Deuxièmement, relâchez les deux loquets de la porte sur la partie inférieure de la chambre de combustion.

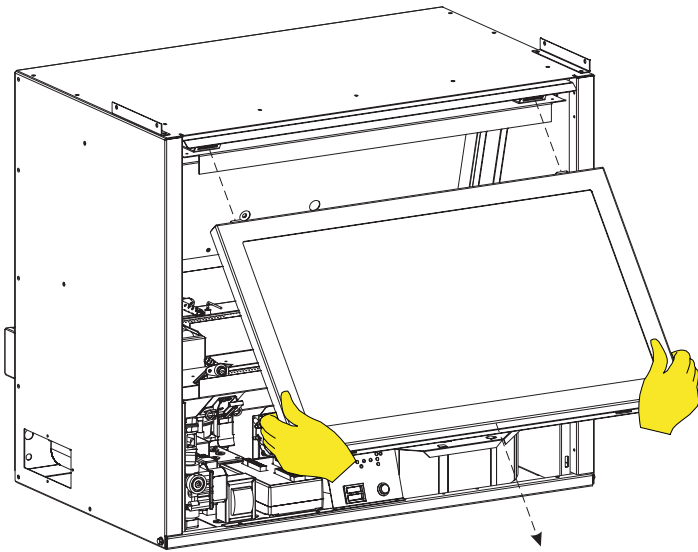


## Modèles de devanture plate - suite

Ensuite, tenez le bas de la porte vitrée et soulevez-le, en gardant une prise ferme sur la porte.



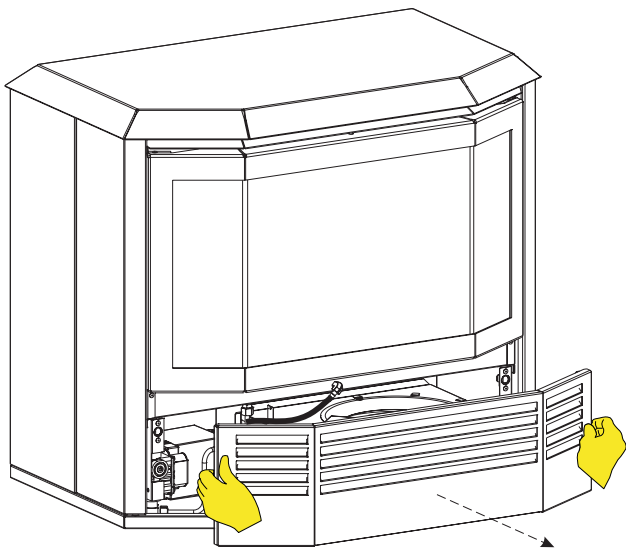
Maintenez la vitre inclinée à la chambre de combustion, ensuite tirez la porte vitrée doucement du radiateur. N'endommagez pas ou n'enlevez pas le joint d'étanchéité de la porte.



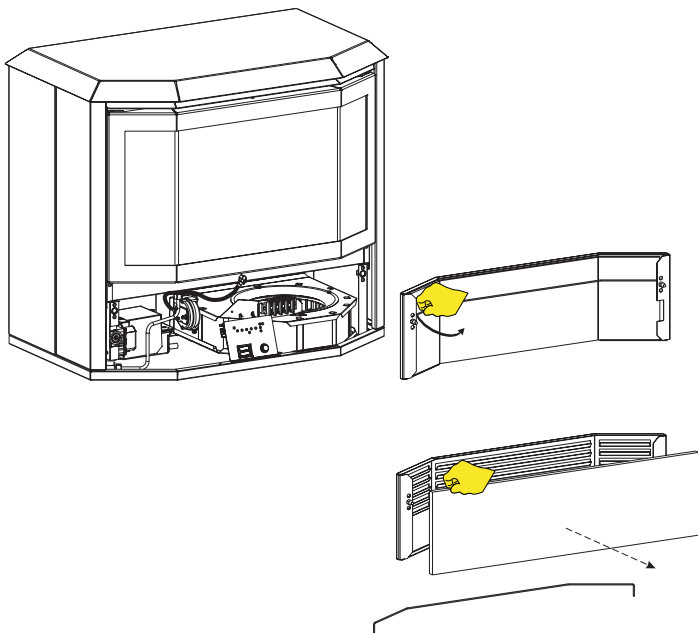
### **Enlever le filtre - fenêtre en baie**

Le filtre est situé à l'avant du radiateur, et il doit être nettoyé et vérifié une fois par mois.

Pour enlever le filtre du radiateur, enlevez le panneau d'aération.



Le filtre est fixé solidement au panneau par une tige à filtre. Enlevez la tige à filtre, ensuite enlevez le filtre.



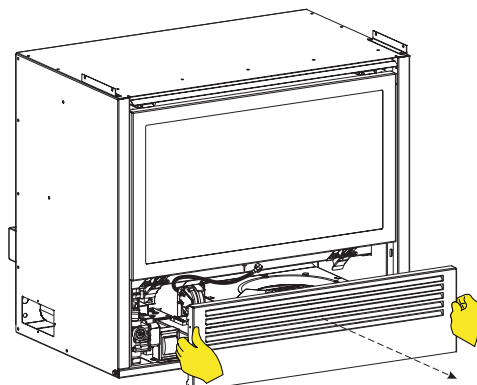
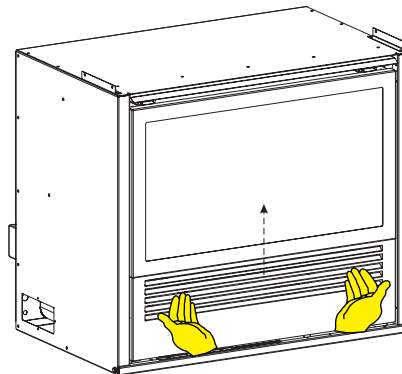
Le filtre peut être rincé à l'eau pour enlever la saleté et les débris. Le filtre peut être séché avec un linge doux et réinséré dans le radiateur.

Pour réinstaller le filtre, placez le filtre dans le panneau d'aération, ensuite rattachez le panneau au radiateur.

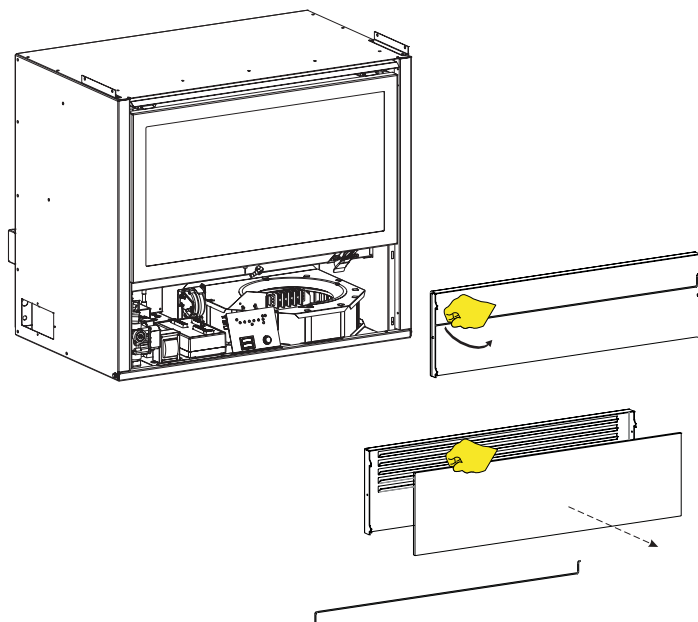
### **Enlever le filtre - devanture plate**

Le filtre est situé à l'avant du radiateur, et il doit être nettoyé et vérifié une fois par mois.

Pour enlever le filtre du radiateur, enlevez le panneau inférieur d'aération en le soulevant, ensuite retirez-le.



Le filtre est fixé solidement au panneau par une tige à filtre. Enlevez la tige à filtre, ensuite enlevez le filtre.



Le filtre peut être rincé à l'eau pour enlever la saleté et les débris. Le filtre peut être séché avec un linge doux et réinséré dans le radiateur.

Pour réinstaller le filtre, placez le filtre dans le panneau d'aération, ensuite rattachez le panneau au radiateur.

## **Service et maintenance**

Bien que la plupart des services devraient être effectués par un technicien qualifié, il y a plusieurs choses qui peuvent être vérifiées pour assurer un fonctionnement sûr et confortable.

Les alentours du radiateur doivent être exempts de tous types de matériaux combustibles, et le filtre doit être vérifié et nettoyé chaque mois. Tous les autres travaux d'entretien devraient être effectués par un technicien qualifié.

| <b>ENTRETIEN RECOMMANDÉ</b>  |  |  |
|--|--|--|
| <b>ARTICLE D'ENTRETIEN</b>   | <b>FRÉQUENCE D'ENTRETIEN</b>                                 |  |
|  | <b>MENSUEL<br/>VÉRIFIER PAR LE<br/>PROPRIÉTAIRE OCCUPANT</b> | <b>ANNUEL<br/>VÉRIFIER PAR UN<br/>TECHNICIEN</b> |
| Vérifier que l'endroit est exempt de matières combustibles.                        | X  | X  |
| Vérifier que la combustion et la ventilation ne sont pas limitées.                 |  | X  |
| Vérifier que les tuyaux de cheminée et d'entrée n'ont pas de fissures ou de trous. |  | X  |
| Vérifier la flamme du brûleur.   |  | X  |
| Nettoyer et remplacer le filtre.   | X  | X  |
| Nettoyer le compartiment du brûleur  |  | X  |
| Nettoyer les brûleurs.   |  | X  |
| Vérifier que le système de condensat est propre et dégagé de peluche.              |  | X  |





Empire Comfort Systems Inc.  
918 Freeburg Ave. Belleville, IL 62220

Si vous avez une question générale sur nos produits, veuillez nous faire parvenir un courriel à [info@empirecomfort.com](mailto:info@empirecomfort.com).

Si vous avez une question sur l'entretien ou sur la réparation, veuillez communiquer avec le marchand.

[www.empirecomfort.com](http://www.empirecomfort.com)