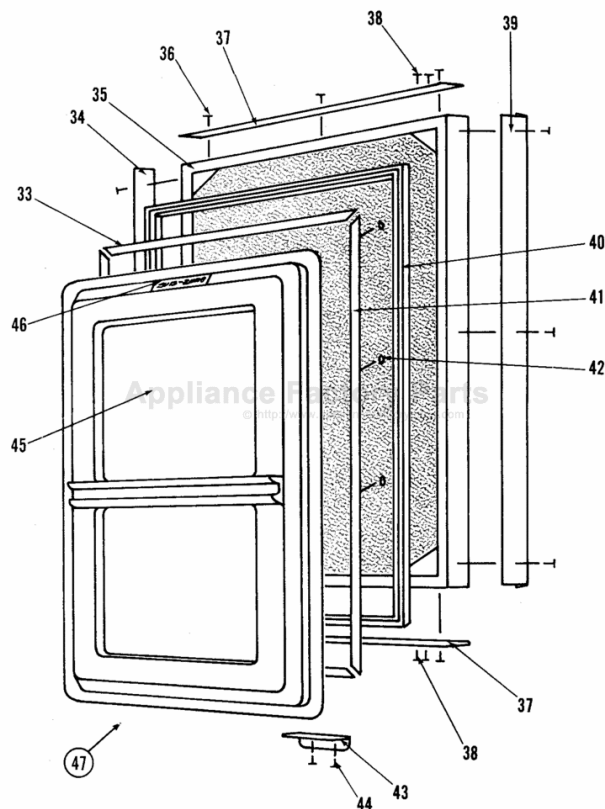


This Owner's Manual is provided and hosted by Appliance Factory Parts.



SUBZERO 244RDF Owner's Manual

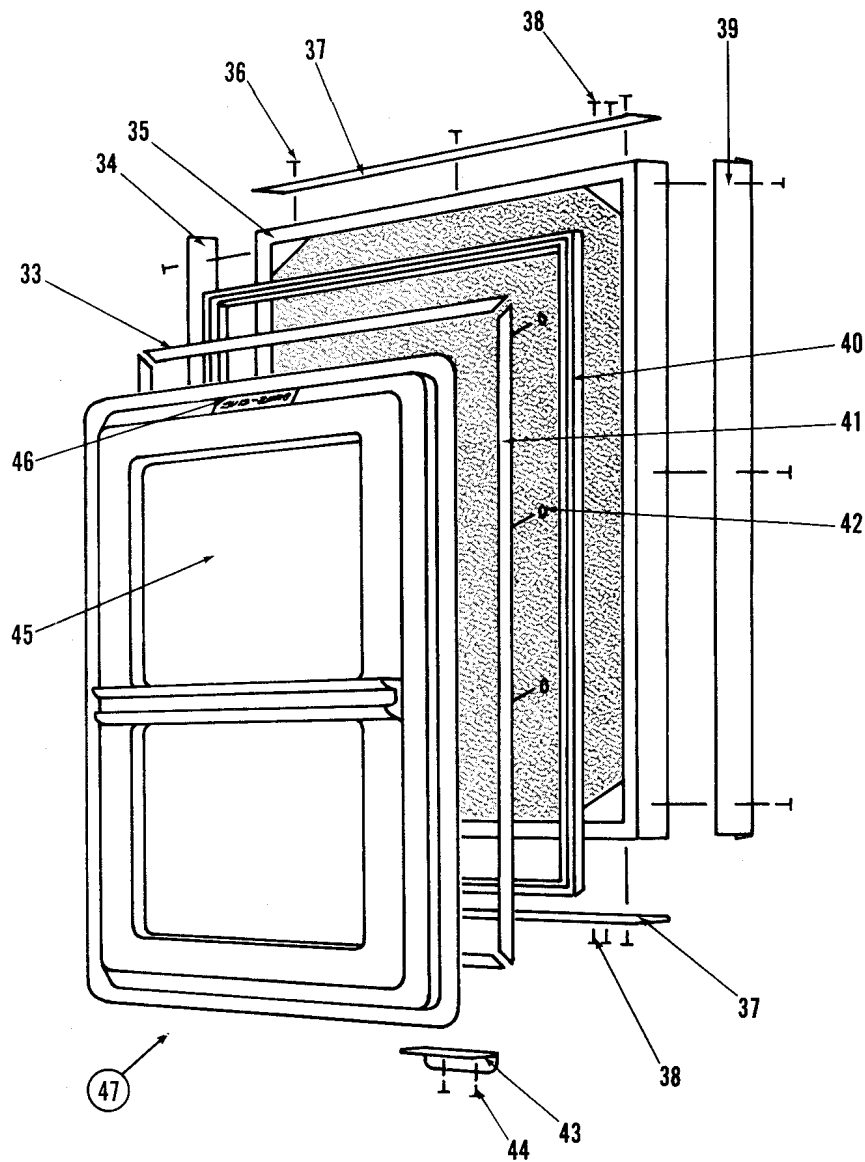
[Shop genuine replacement parts for SUBZERO 244RDF](#)



[Find Your SUBZERO Refrigerator Parts - Select From 117 Models](#)

----- Manual continues below -----

244 RFD DOORS

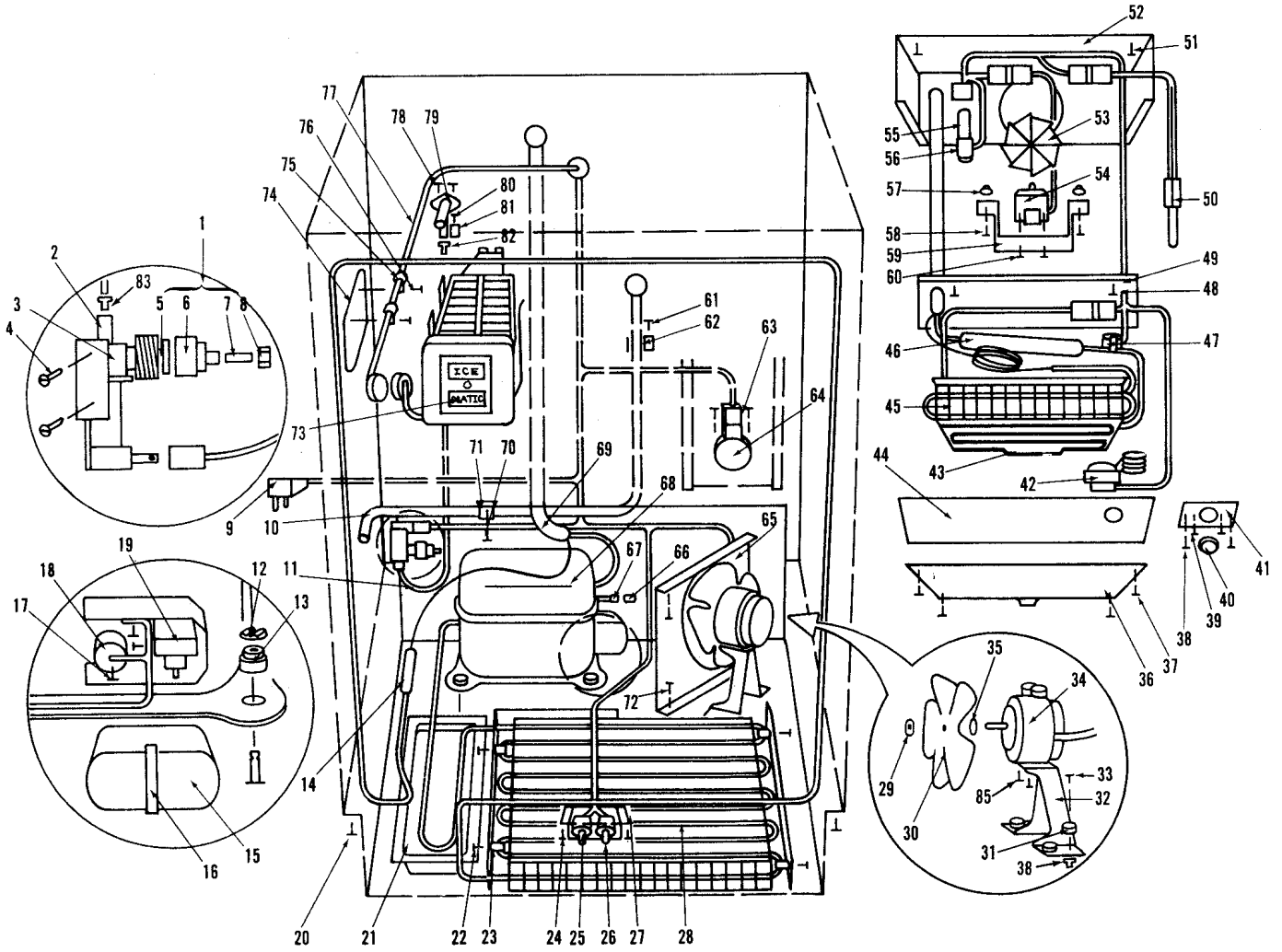


<u>Item #</u>	<u>Part #</u>	<u>Description</u>
33	3-42-018-0	Top & Bottom Gasket Retainer, 22.125
34	2-2188-02	Side Door Trim, 1.57 x 30-3/16
35	0-87013-0	Door Shell
36	6-20-004-0	Screw, #4-24 x 1/2 Truss Head
37	2-2188-01	Top & Bottom Door Trim, 1.57 x 23-13/16
38	6-11-002-0	Bolt, #10-24 x 3/8 Truss Head
39	2-2189-01	Door Handle, 2.195 x 30-3/16
40	3-21-018-0	Door Gasket, 23.313 x 29.688
41	3-42-021-0	Side Gasket Retainer, 29.188
42	6-20-041-0	Screw, #8 x 1/2 Slot Head Hex
43	0-18028-0	Switch Depressor, Black
44	6-20-023-0	Screw, #8-18 x 1/2 Hex Head
45	0-88046-0	Door Liner
46	3-58-001-0	Nameplate, 1-1/4 x 3-7/8
47	4-13-070-1	Complete Door Assembly, Right Hand
	4-13-070-2	Complete Door Assembly, Left Hand

244 RFD SYSTEM VIEW

<u>Item #</u>	<u>Part #</u>	<u>Description</u>	<u>Item #</u>	<u>Part #</u>	<u>Description</u>
1	3-52-011-0	Water Inlet Fitting Assembly	44	0-23148-0	Baffle
2	3-52-003-0	Icemaker Nut; Nylon, 1/4	45	3-13-001-0	Evaporator Coil, 2 x 6 x 11-1/8
3	3-09-002-0	Solenoid Valve	46	3-01-101-0	Accumulator, 1-1/4 x 8-7/8
4	6-20-006-0	Screw, #8-32 x 1/2 Pan Head	47	4-32-093-0	Defrost Terminator Assembly
5	3-21-003-0	Water Valve Gasket	48	6-19-001-0	Pop Rivet, 1/8 Aluminum
6	3-52-021-0	Water Valve Fitting	49	0-23203-0	Wire Channel & Evaporator Support
7	3-52-022-0	Ball Sleeve	50	3-01-332-0	Drain Tube Heater, 28.5
8	3-52-023-0	Compression Nut	51	6-20-008-0	Screw, #8-15 x 1/2 Truss Head
9	3-02-231-0	Black Power Cord	52	0-23185-0	Blower Wrapper
10	1-6014-00	Drain Tube, 5/8" x 6'	53	3-15-014-0	Fan Blade; 10 Prop, 4"
11	2-6006-06	Plastic Water Tube, 30"	54	4-20-016-0	Freezer Fan Motor, 23 Watt
12	3-45-004-0	Compressor Clip, 7/8 x 3/16	55	3-03-006-0	Light Bulb; 25 Watt, 1 x 2-1/2
13	3-15-001-0	Rubber Mount, 5/8 x 1-1/4	56	3-05-001-0	Light Socket, 3/4 Single
14	3-01-405-0	Drier, 1/4 x .083	57	6-15-009-0	Weilnut, #10-32
15	3-11-062-0	Terminal Cover	58	6-11-012-0	Bolt, #10-32 x 5/8 Truss Head
16	3-11-063-0	Terminal Cover Strap	59	0-23198-0	Evaporator Fan Bracket
17	6-11-034-0	Screw, Slot Head	60	6-11-027-0	Bolt, #10-32 x 1/4 Round Head
18	3-11-070-0	Overload (MRP40AMK-34)	61	6-12-005-0	Plastic Tube Clamp, 5/8
19	3-11-069-0	Start Relay (9660-041-161)	62	6-20-001-0	Screw, #10-12 x 3/4 Pan Head
20	6-20-001-0	Screw, #10-12 x 3/4 Pan Head	63	6-20-034-0	Screw, #6-20 x 1/2 Pan Head
21	0-16315-0	Drain Pan	64	3-08-105-0	Defrost Timer
22	6-20-002-0	Screw, #7-16 x 1/2 Pan Head	65	0-86132-0	Unit Fan Shroud
23	6-12-001-0	Tube Clamp; Steel w/Rub, 5/16	66	3-09-008-0	Valve Cap
24	6-20-002-0	Screw, #7-16 x 1/2 Pan Head	67	3-09-001-0	Base Valve
25	3-06-002-0	Door Switch, Normally Open (Fan)	68	3-11-068-0	Compressor (AE1360D)
26	3-06-003-0	Door Switch, Normally Closed (Light)	69	4-25-051-0	Heat Exchanger Assembly
27	0-86133-0	Double Switch Bracket	70	6-20-001-0	Screw, #10-12 x 3/4 Pan Head
28	3-12-001-0	Condenser, 1 x 9-7/8 x 12	71	6-12-005-0	Plastic Tube Clamp, 5/8
29	6-15-041-0	Nut, 1/4-20	72	6-18-001-0	Pop Rivet, 1/8 Aluminum
30	3-15-003-0	Fan Blade; 5 Prop, 6-3/4	73	3-14-007-0	Icemaker (Use 3-14-008-0 in Canada <u>Only</u>)
31	3-22-016-0	Grommet, 3/16 x 7/16 x 9/32	74	0-93102-0	Icemaker Plate
32	2-8016-02	Condenser Fan Bracket, 2-1/4	75	6-12-006-0	Plastic Tube Clamp, 1/2
33	6-20-043-0	Screw, #8-18 x 1/2	76	6-20-013-0	Screw, #8 x 3/4 PH Truss Head
34	3-15-028-0	Condenser Fan Motor; 1.5 Watt, 4 Pole	77	4-32-089-0	Icemaker Wiring Harness
35	3-21-034-0	Neoprene Silencer, 7/8"	78	6-20-008-0	Screw, #8-15 x 1/2 Truss Head
36	0-16220-0	Blower Cover	79	2-6008-01	Water Inlet Tube, 4.5
37	6-20-008-0	Screw, #8-15 x 1/2 Truss Head	80	6-20-033-0	Screw, #8-18 x 3/8 Pan Head
38	3-52-005-0	Brass Insert	81	6-12-012-0	Tube Clamp, 3/8 Steel
39	6-11-005-0	Bolt, #8-32 x 3/8 Truss Head	82	3-52-005-0	Brass Insert
40	3-01-241-0	Control Knob	83	3-52-012-0	Brass Insert, 3/16 x 9/32
41	3-01-202-0	Faceplate, 2-5/16 x 3	84	2-6001-03	Gasket Seat Heater Tube
42	3-01-206-0	Control	85	6-20-049-0	Screw, #8-32 x 3/8 T25 Slotted Hex
43	4-32-092-0	Defrost Heater Assembly			

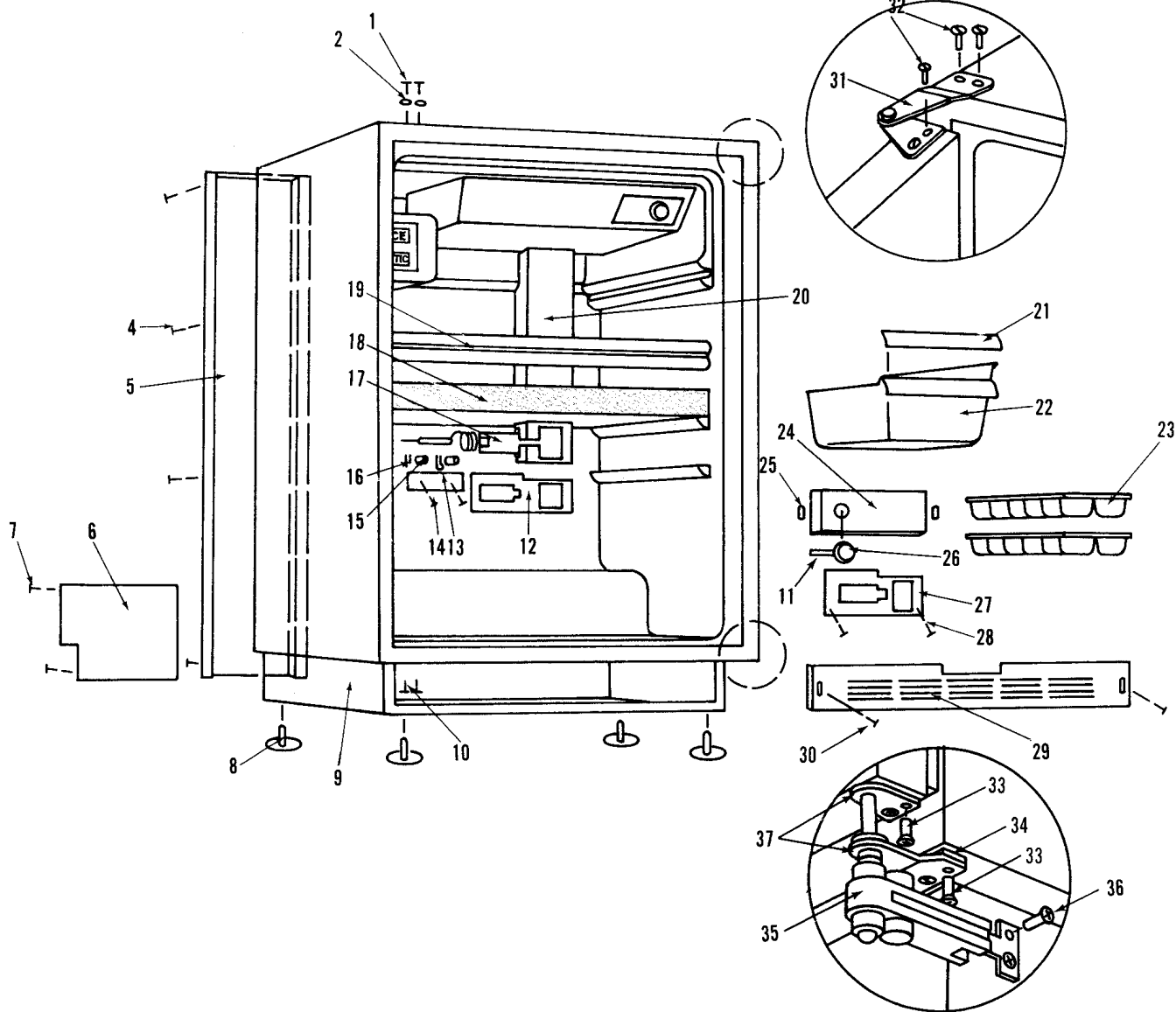
244 RFD SYSTEM VIEW



244 RFD COSMETIC VIEW

<u>Item #</u>	<u>Part #</u>	<u>Description</u>
1	6-11-001-0	Bolt, #10-24 x 1/2 Flat Head
2	6-24-001-0	Finish Washer, #10 Stainless Steel
4	6-20-002-0	Screw, #7-16 x 1/2 Pan Head
5	0-86129-0	Back Cover
6	0-86130-0	Back Shroud
7	6-20-002-0	Screw, #7-16 x 1/2 Pan head
8	3-57-001-0	Leveling Leg, 1/4-20 x 1-1/2
9	4-11-012-0	Base Assembly
10	6-11-002-0	Bolt, #10-24 x 3/8 Truss Head
11	3-01-205-0	Baffle Control Shaft
12	0-21036-0	Control Plate
13	0-91020-0	Control Bulb Shield
14	6-20-013-0	Screw, #8 x 3/4 PH Truss Head
15	6-16-001-0	Spacer, 7/32 x 3/8 x 1/2
16	6-12-007-0	Plastic Tube Clamp, 3/8"
17	3-01-204-0	Baffle Control
18	4-33-003-0	Shelf Assembly
19	1-3003-00	Shelf Seal
20	4-28-010-0	Duct Assembly
21	3-14-003-0	Ice Bucket Handle, 1 x 7-3/8
22	4-18-013-0	Ice Bucket Assembly
23	3-14-003-0	Ice Tray, 4-3/8 x 10-1/2 (NOTE: Only in Units w/o I/M)
24	0-91019-0	Control Cover
25	6-12-012-0	Wire Clamp; Steel, 1"
26	3-01-215-0	Control Knob
27	0-90018-0	Control Plate Spacer
28	6-20-008-0	Screw, #8-15 x 1/2 Truss Head
29	0-86034-0	Kickplate, 23-7/8
30	6-20-008-0	Screw, #8-15 x 1/2 Truss Head
31	3-54-002-0	Door Hinge, Upper Left or Lower Right
	3-54-001-0	Door Hinge, Upper Right or Lower Left
32	6-11-001-0	Bolt, #10-24 x 1/2 Flat Head
33	6-11-001-0	Bolt, #10-24 x 1/2 Flat Head
34	0-86169-0	Shim
35	3-54-081-0	Door Closer
36	6-20-005-0	Screw, #10-12 x 1/2
37	3-54-079-0	Bottom Door Hinge, Right Hand
	3-54-080-0	Bottom Door Hinge, Left Hand

244 RFD COSMETIC VIEW



Starting with Serial No. 356747