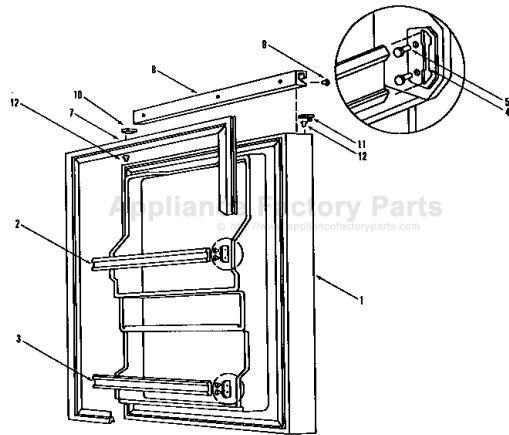


This Owner's Manual is provided and hosted by [Appliance Factory Parts](#).



# SUBZERO 245RFD Owner's Manual

[Shop genuine replacement parts for SUBZERO 245RFD](#)

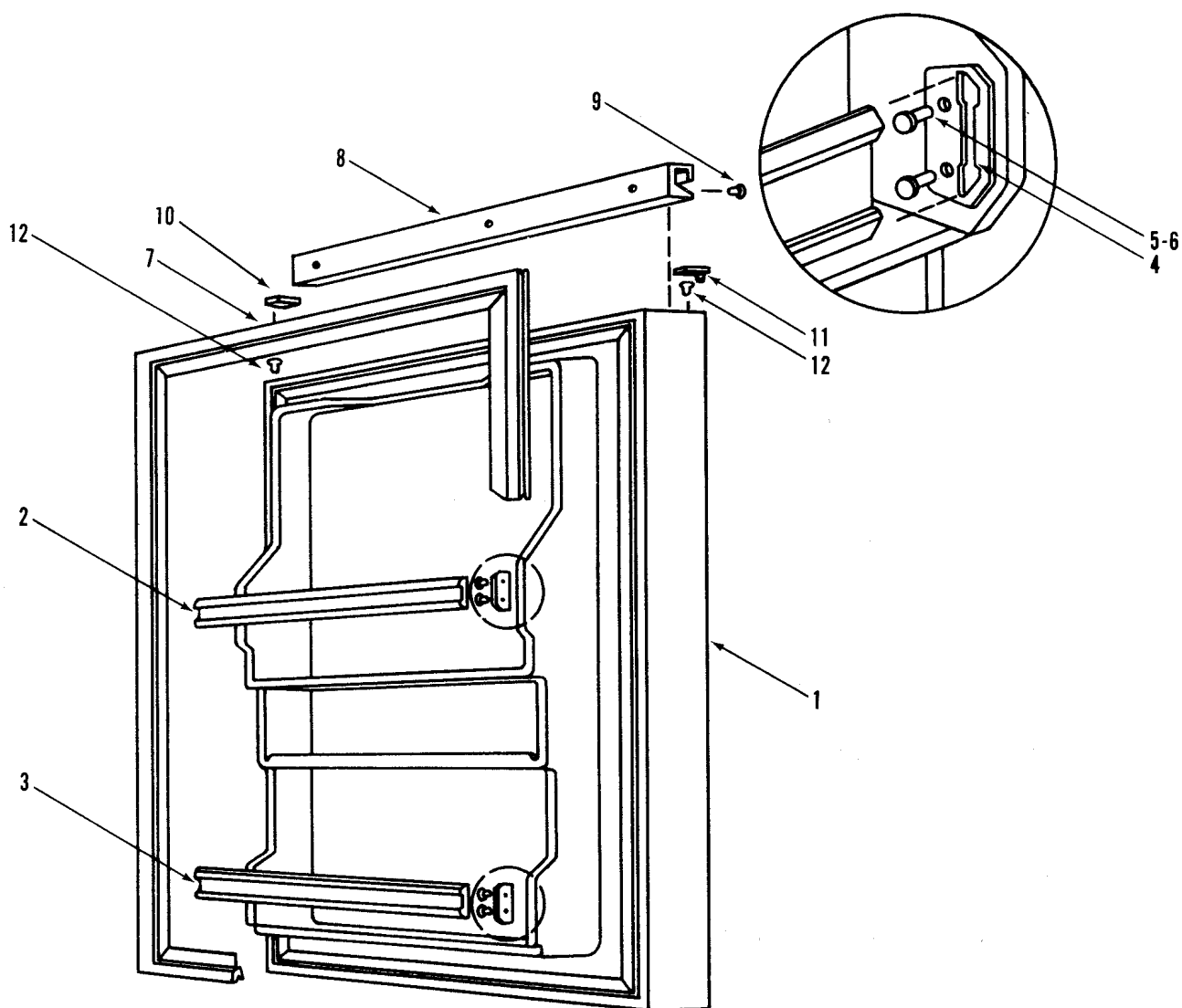


398

[Find Your SUBZERO Refrigerator Parts - Select From 117 Models](#)

----- Manual continues below -----

## 245 RFD DOORS

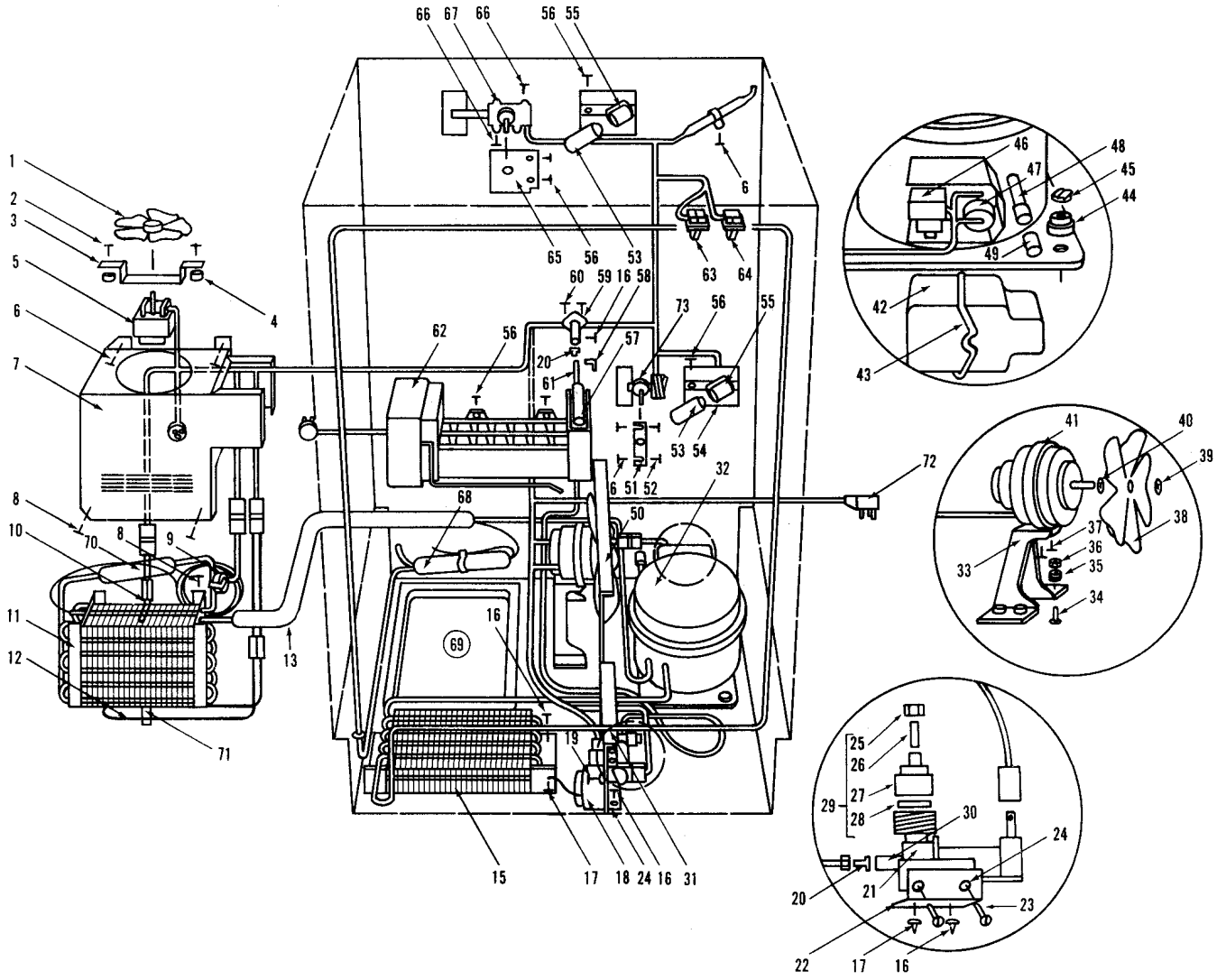


<u>Item #</u>	<u>Part #</u>	<u>Description</u>
1	4-13-080-1	Door Assembly, Right Hand
2	4-15-087-0	Upper Retainer Assembly
3	4-15-088-0	Lower Retainer Assembly
4	3-51-063-0	Retainer Cap
5	6-18-002-0	Pop Rivet, 1/8 x 1/2 Aluminum
6	6-15-058-0	Speed Clip, 1/8 (Retainer)
7	3-21-066-0	Door Gasket
8	3-51-059-0	Door Handle
9	6-20-066-0	Screw, #6-20 x 3/8 Flat Head Black
10	3-51-066-0	Hinge Bearing Cap
11	3-51-067-0	Outer Bearing Cap
12	3-42-103-0	Lower Door Bearing

## 245 RFD SYSTEM VIEW

<u>Item #</u>	<u>Part #</u>	<u>Description</u>	<u>Item #</u>	<u>Part #</u>	<u>Description</u>
1	3-15-021-0	Fan Blade, 4"	38	3-15-003-0	Fan Blade; 5 Prop, 6-3/4
2	6-11-032-0	Bolt, #10-32 x 7/8 PH Truss Head	39	6-15-041-0	Nut, 1/4-20
3	0-21129-0	Refrigerator Fan Bracket	40	3-21-034-0	Neoprene Silencer, 7/8"
4	6-15-033-0	Wellnut, #10-32	41	3-15-028-0	Condenser Fan Motor; 4 Pole, 1.5 Watt
5	3-15-038-0	Fan Motor, 11 Watt	42	3-11-100-0	Terminal Cover
6	6-20-013-0	Screw, #8-15 x 3/4 PH Truss Head S/S	43	3-11-101-0	Terminal Cover Strap
7	0-92004-0	Evaporator Cover	44	3-15-001-0	Rubber Mount, 5/8 x 1-1/4
8	6-20-012-0	Screw, #10-12 x 1/2 Truss Head	45	3-45-004-0	Compressor Clip, 7/8 x 3/16
9	4-32-093-0	Defrost Terminator Assembly	46	3-11-078-0	Start Relay (MM5-46S)
10	3-01-332-0	Drain Tube Heater, 28.5	47	3-11-079-0	Overload (MM3-30K)
11	3-13-018-0	Evaporator	48	3-09-001-0	Base Valve, 1/2 x 1-3/8
12	4-32-194-0	Defrost Heater Assembly	49	3-09-008-0	Valve Cap
13	4-25-092-0	Heat Exchanger Assembly	50	0-86174-0	Condenser Fan Shroud
15	3-12-021-1	Condenser	51	0-93006-0	Freezer Control Mount
16	6-20-033-0	Screw, #8-18 x 3/8 Pan Head	52	6-11-005-0	Bolt, #8-32 x 3/8 Truss Head
17	6-20-006-0	Screw, #8-32 x 1/2 Pan Head	53	3-03-006-0	Light Bulb, 25 Watt
18	3-08-108-0	Defrost Timer, 6 Hour	54	0-91026-0	Light Base
19	6-20-034-0	Screw, #6-20 x 1/2 Pan Head	55	3-05-001-0	Light Socket
20	3-52-005-0	Brass Insert, Solenoid	56	6-20-008-0	Screw, #8-15 x 1/2 Truss Head
21	3-09-002-0	Solenoid Valve	57	3-02-406-0	Extension Tube, .668 ID
22	0-86177-0	Solenoid Bracket	58	3-45-008-0	Icemaker Tube Clip, 1/2 x 13/16
23	6-20-015-0	Screw, #10 x 3/4 T23 PH Round Head	59	2-6054-02	Water Inlet Tube
24	6-24-002-0	Star Washer, 3/16	60	6-20-018-0	Screw, #7-16 x 3/4 Flat Head
25	3-52-023-0	Compression Nut	61	2-6006-11	Plastic Water Tube, 53
26	3-52-022-0	Ball Sleeve	62	4-20-037-0	Icemaker (12 Cavity)
27	3-52-021-0	Water Valve Fitting	63	3-06-013-0	Rocker Switch, Normally Open (Fan)
28	3-21-003-0	Water Valve Gasket	64	3-06-014-0	Rocker Switch, Normally Closed (Light)
29	3-52-011-0	Water Inlet Fitting Assembly	65	0-91028-0	Reflector
30	3-52-003-0	Icemaker Nylon Nut, 1/4	66	6-20-014-0	Screw, #8-15 x 3/8 Truss Head
31	0-86185-0	Timer Shroud	67	3-01-250-0	Control, Refrigerator
32	3-11-077-0	Compressor (FN43-F67R)	68	3-01-405-0	Drier, 1/4 x .095
33	2-8016-02	Condenser Fan Bracket, 2-1/4	69	0-16506-0	Drain Pan
34	6-22-061-0	Screw, #6-32 x 3/8 PH Round Head Zinc	70	3-01-112-0	Accumulator, 1 x 4-1/2
35	3-22-016-0	Grommet, 3/16 x 7/16 x 9/32	71	1-6014-00	Drain Tube, 1/2 x 6'
36	6-22-029-0	Standoff, #5-32 x 5/16	72	3-02-229-0	Power Cord
37	6-20-049-0	Screw, #8-32 x 3/8 T25 Slotted Hex	73	3-01-247-0	Freezer Control

# 245 RFD SYSTEM VIEW



## 245 RFD COSMETIC VIEW

<u>Item #</u>	<u>Part #</u>	<u>Description</u>
2	0-93005-0	Freezer Light Bracket
3	6-20-006-0	Screw, #8-32 x 1/2 Pan Head
4	0-86175-0	Back Cover
5	0-86181-0	Compressor Cover
6	3-57-004-0	Leveling Leg, 3/8-18 x 1-1/2
7	0-86176-0	Kickplate
8	0-16515-0	Ice Bucket
9	4-15-090-0	Freezer Light Diffuser Assembly
10	6-20-013-0	Screw, #8-15 x 3/4 PH Truss Head S/S
11	6-20-044-0	Screw, #10 x 11/16 Type B Flat Head
12	6-20-062-0	Screw, #10-32 x 1/2 Hex Washer
13	4-15-095-0	Lower Hinge Assembly
14	6-11-049-0	Screw, #10-24 x 1/2 Flat Head Chrome
15	3-42-071-0	Door Closer Cam, Down
16	3-42-072-0	Door Closer Cam, Up
17	0-86187-0	Cam Support Plate
18	6-20-008-0	Screw, #8-15 x 1/2 Truss Head
19	0-86184-0	Ice Keeper Cover
20	4-33-024-0	Main Shelf Assembly
21	3-21-067-0	Shelf Gasket
22	4-15-085-0	Upper Shelf Assembly
23	3-50-022-0	Refrigerator Light Diffuser Assembly
24	3-01-249-0	Control Knob
25	4-15-094-0	Upper Hinge Assembly
26	6-11-033-0	Screw, #10-32 x 1/2 Flat Head Chrome Plated
27	3-51-066-0	Hinge Bearing Cap
28	0-91027-0	Control Bracket
29	3-55-040-0	Hinge Hole Plug (#74116)
30	3-75-158-0	Ice Keeper Cover Decal

# 245 RFD COSMETIC VIEW

