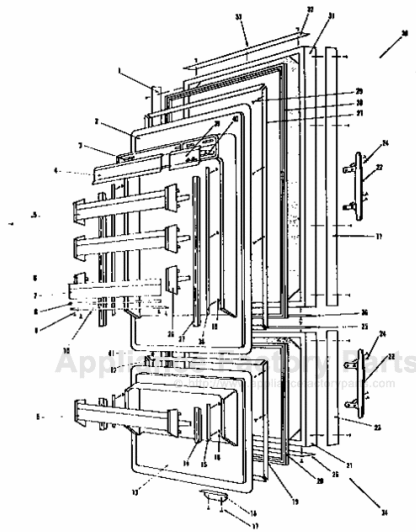


This Owner's Manual is provided and hosted by [Appliance Factory Parts](#).



SUBZERO 2511RFD Owner's Manual

[Shop genuine replacement parts for SUBZERO
2511RFD](#)

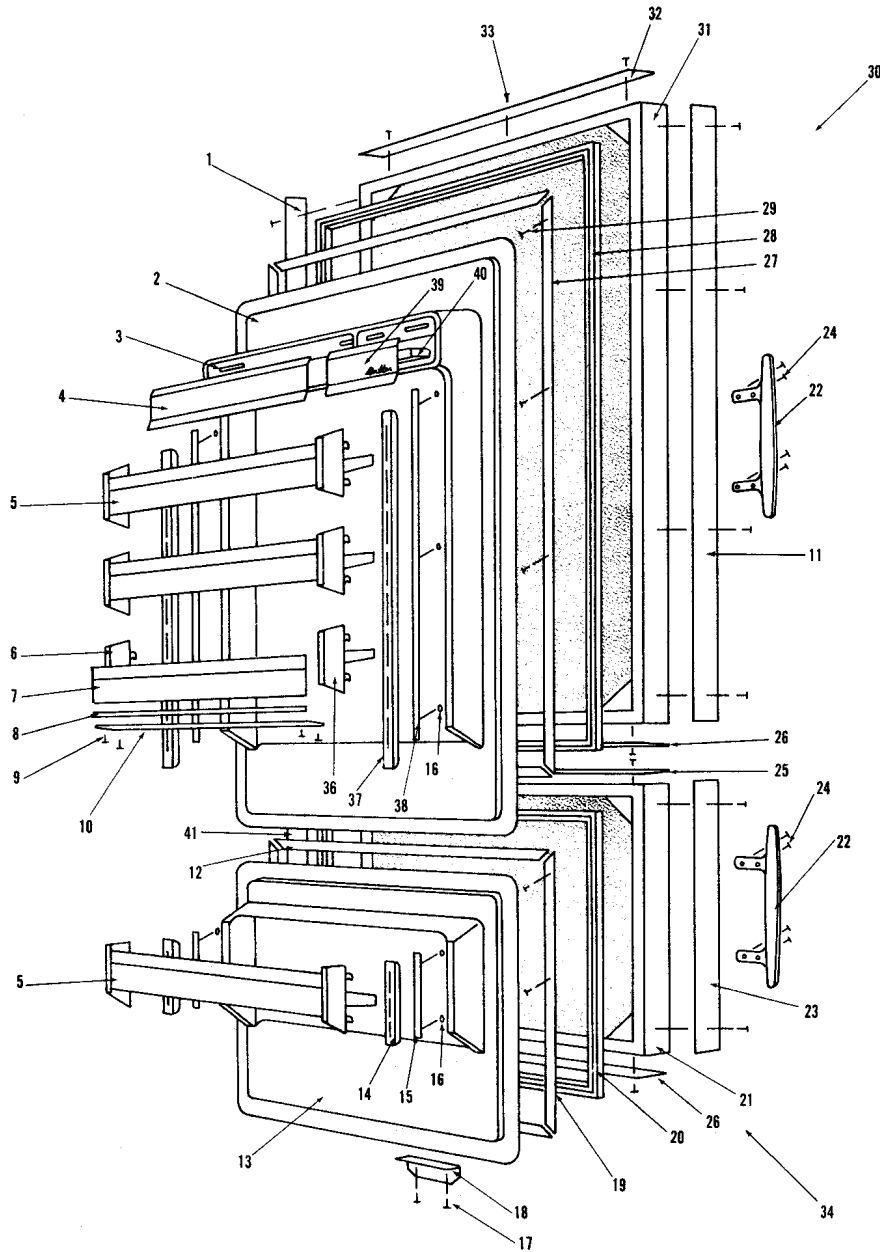


3/98

[Find Your SUBZERO Refrigerator Parts - Select From 117 Models](#)

----- Manual continues below -----

2511 RFD DOORS

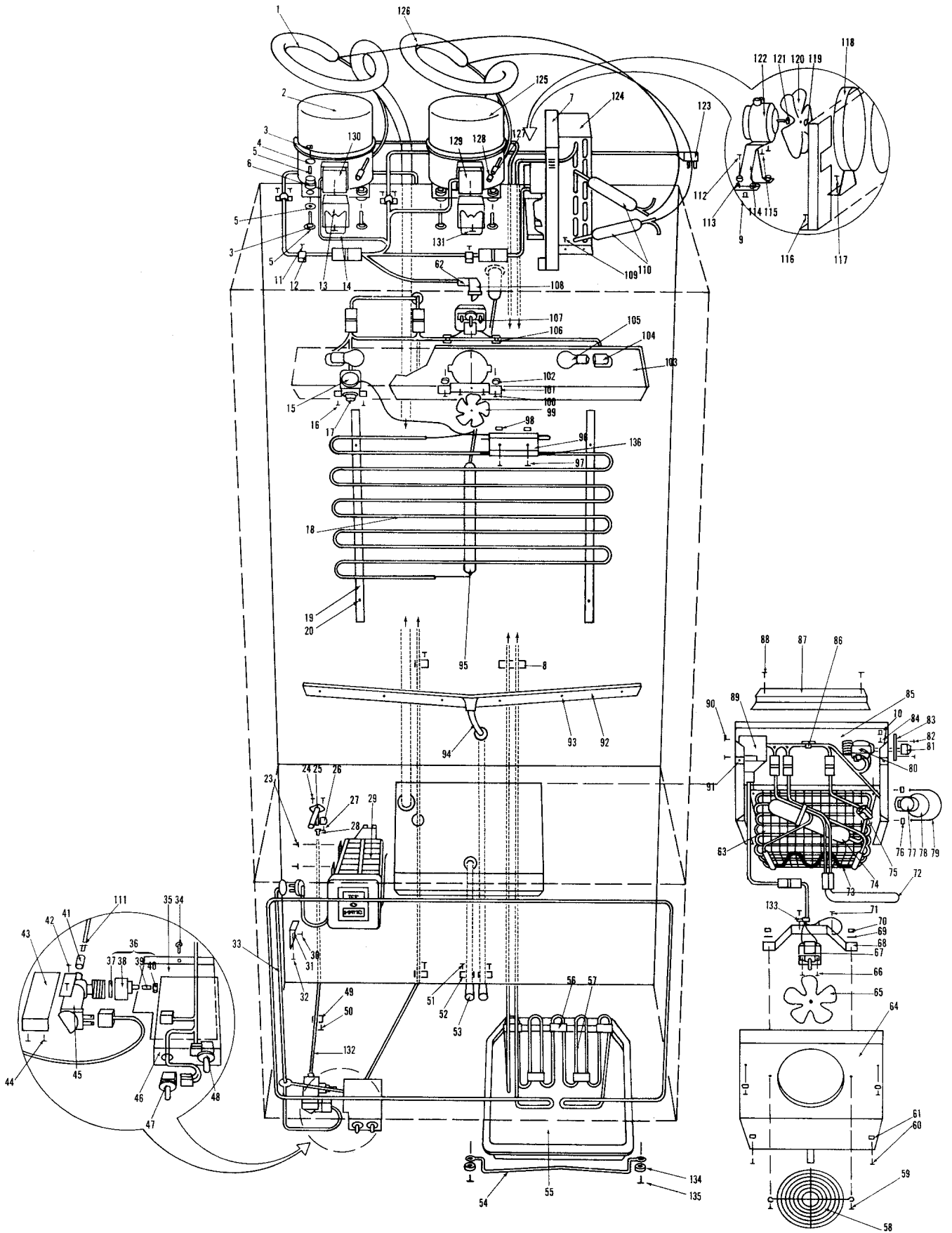


Item #	Part #	Description	Item #	Part #	Description
1	2-2182-05	Refrigerator Side Door Trim, 2.07 x 48-5/8	24	6-11-001-0	Bolt, #10-24 x 1/2 Flat Head
2	0-18227-0	Refrigerator Door Liner	25	2-2111-01	Freezer Top Door Trim, Right Hand
3	3-42-005-0	Butter Door Rod, 3/16 x 2	26	2-2111-02	Freezer Top Door Trim, Left Hand
4	3-48-035-0	Dairy Door, 4.875 x 20.25	27	2-2182-02	Refrigerator & Freezer Bottom Door Trim; Right Hand, 2.07 x 34-5/16
5	4-33-011-0	Door Shelf Assembly, 29-1/8	28	2-2182-01	Refrigerator & Freezer Bottom Door Trim; Left Hand, 2.07 x 34-5/16
6	3-60-022-2	Left Side Door Shelf End Cap	29	3-42-024-0	Refrigerator Door Side Gasket Retainer, 47.438
7	3-51-011-0	Door Shelf Guard, 28.375	30	3-21-010-0	Refrigerator Door Gasket, 33.813 x 48.125
8	1-2163-00	Door Shelf Tray Support, 25-7/8	31	6-20-041-0	Screw, #8 x 1/2 Slot Head Hex
9	6-20-039-0	Screw, #6 x 3/8 PH T25 Flat Head	32	4-13-046-1	Complete Refrigerator Door Assembly, Right Hand
10	2-8061-01	Door Shelf Tray, 26.81	33	4-13-046-2	Complete Refrigerator Door Assembly, Left Hand
11	2-2182-05	Refrigerator Side Door Trim, 2.07 x 48-5/8	34	2-2182-02	Refrigerator Door Shell
12	3-42-022-0	Top & Bottom Gasket Retainer, 33.312	35	2-2182-01	Refrigerator & Freezer Top Door Trim; Right Hand, 2.07 x 34-5/16
13	0-18230-0	Freezer Door Liner	36	2-2182-02	Refrigerator & Freezer Top Door Trim; Left Hand, 2.07 x 34-5/16
14	2-2145-01	Freezer Door Shelf Ladder, 6-1/8	37	6-20-004-0	Screw, #4-24 x 1/2 Truss Head
15	4-15-016-0	Freezer Door Shelf Ladder Holder Assembly, 5-3/8	38	4-13-052-1	Complete Freezer Door Assembly, Right Hand
16	6-15-032-0	Nut, #8-32 Pa1 (D0832075)	39	4-13-052-2	Complete Freezer Door Assembly, Left Hand
17	6-20-002-0	Screw, #7-16 x 1/2 Pan Head	40	3-48-036-0	Butter Door
18	0-18028-0	Switch Depressor, Black	41	3-60-022-1	Right Side End Cap
19	3-42-015-0	Freezer Door Side Gasket Retainer, 17.312		2-2145-04	Refrigerator Door Shelf Ladder
20	3-21-011-0	Freezer Door Gasket, 33.813 x 18.250		4-15-023-0	Refrigerator Door Shelf Ladder Holder Assembly
21	0-17060-0	Freezer Door Shell		3-48-036-0	Butter Door
22	3-51-001-0	Door Handle; Cast, 13-1/2		3-44-001-0	Butter Dish
23	2-2182-06	Freezer Side Door Trim, 2.07 x 18-9/16		2-2182-06	Freezer Side Door Trim, 2.07 x 18-9/16

2511 RFD SYSTEM VIEW

Item #	Part #	Description	Item #	Part #	Description
1	4-25-047-0	Freezer Heat Exchanger Assembly	69	6-24-007-0	Lock Washer, 1/4 S/S
2	3-11-058-0	Compressor (125WSIK)	70	6-15-013-0	Nut, 1/4-20 Hex S/S
3	6-15-022-0	Nut, 5/16-18 Hex	71	6-18-001-0	Pop Rivet
4	6-24-005-0	Flat Washer, 5/16	72	3-01-332-0	Drain Tube Heater, 28.5
5	6-16-007-0	Sleeve, 5/16 x 7/16 x 7/8	73	4-32-091-0	Defrost Heater Assembly
6	3-15-017-0	Rubber Grommet, 15/16 x 1/25	74	3-01-101-0	Accumulator, 1-1/4 x 8-7/8
7	2-4013-09	Unit Fan Shroud	75	4-32-093-0	Defrost Terminator Assembly
8	6-12-023-0	Double 1/4 Tube Clamp	76	6-15-012-0	Nut, #6-32 Hex
9	3-52-012-0	Brass Insert, 3/16 x 9/32	77	3-05-003-0	Light Socket
10	6-15-009-0	Wellnut, #10-32	78	3-03-003-0	Light Bulb, 40 Watt
11	6-20-001-0	Screw, #10-12 x 3/4 Pan Head	79	3-03-002-0	Light Guard, Wire
12	6-12-003-0	Plastic Tube Clamp, 1/4	80	3-01-206-0	Freezer Control
13	3-11-064-0	Relay Cover	81	3-01-241-0	Control Knob
14	3-11-065-0	Relay Clamp	82	6-11-005-0	Bolt, #8-32 x 3/8 Truss Head
15	3-01-234-1	Refrigerator Control (Also See 3-01-230-0)	83	3-01-209-0	Control Face Plate, 1-7/8 x 4-5/16
16	6-11-005-0	Bolt, #8-32 x 3/8 Truss Head	84	6-11-012-0	Bolt, #10-32 x 5/8 Truss Head
17	3-01-232-0	Refrigerator Control Knob	85	0-23161-0	Blower Wrapper
18	4-21-038-0	Refrigerator Evaporator Assembly	86	6-12-016-0	Plastic Cord Clip, 5/16 x 1/2
19	2-8040-01	Evaporator Holder, 30	87	0-23197-0	Blower Bracket, 8-7/8
20	6-20-009-0	Screw, #8-15 x 1-3/4 Truss Head	88	6-20-002-0	Screw, #7-16 x 1/2 Pan Head
21	3-04-003-0	Control Plastic Sleeve	89	3-08-105-0	Defrost Timer
23	6-20-032-0	Screw, #8-32 x 1/2 Truss Head	90	6-20-034-0	Screw, #6-20 x 1/2 Pan Head
24	6-20-008-0	Screw, #8-15 x 1/2 Truss Head	91	6-15-007-0	Nut, #10A Self Retaining U-Type
25	2-6008-02	Water Inlet Tube, 4-5/8	92	4-19-005-0	Drain Trough Assembly, 1.75 x 30
26	6-12-012-0	Tube Clamp, 3/8 Steel	93	6-20-012-0	Screw, #10-12 x 1/2 Truss Head
27	6-20-033-0	Screw, #8-18 x 3/8 Pan Head	94	1-6014-00	Refrigerator Drain Tube
28	3-52-005-0	Brass Insert	95	3-01-103-0	Accumulator, 7/8 x 15-5/8
29	3-14-007-0	Icemaker	96	4-16-012-0	Control Clamp
30	3-14-008-0	Icemaker-Canadian Use Only	97	6-11-003-0	Bolt, #10-24 x 1/2 Round Head
31	6-20-014-0	Screw, #8-15 x 3/8 Truss Head	98	6-15-003-0	Nut, #10-24 Hex S/S
32	625910	Bracket	99	3-15-021-0	Fan Blade, 4"
33	486646	Screw	100	6-11-032-0	Bolt, #10-32 x 3/4 Truss Head
34	4-32-062-0	Icemaker Wiring Harness	101	0-21129-0	Refrigerator Fan Bracket
35	6-20-006-0	Screw, #8-32 x 1/2 Pan Head	102	6-15-033-0	Wellnut, #10-32
36	0-16429-0	Housing Cover	103	0-21099-0	Refrigerator Fan Shroud
37	3-52-011-0	Water Inlet Fitting Assembly	104	3-05-003-0	Light Socket
38	3-21-003-0	Water Valve Gasket	105	3-03-003-0	Light Bulb, 40 Watt
39	3-52-021-0	Water Valve Fitting	106	6-12-016-0	Plastic Cord Clip, 5/16 x 1/2
40	3-52-022-0	Ball Sleeve	107	4-20-017-0	Refrigerator Fan Motor, 23 Watt
41	3-52-023-0	Compression Nut	108	4-20-034-0	Light Switch Kit
42	3-52-003-0	Icemaker Nut; Nylon, 1/4	109	6-20-002-0	Screw, #7-16 x 1/2 Pan Head
43	6-20-006-0	Screw, #8-32 x 1/2 Pan Head	110	3-01-405-0	Drier, 1/4 x .095
44	0-16200-0	Solenoid Bracket	111	3-52-005-0	Brass Insert
45	6-20-001-0	Screw, #10-12 x 3/4 Pan Head	112	6-20-028-0	Screw, #8-18 x 1 Pan Head
46	3-09-002-0	Solenoid Valve	113	3-22-016-0	Grommet, 3/16 x 7/16 x 9/32
47	0-16414-0	Switch Housing	114	1-8017-00	Fan Bracket, 3-1/2
48	3-06-002-0	Door Switch, Normally Open (Fan)	115	6-20-049-0	Screw, #8-32 x 3/8 Type 25 Slotted Hex
49	3-06-003-0	Door Switch, Normally Closed (Light)	116	6-20-001-0	Screw, #10-12 x 3/4 Pan Head
50	6-12-003-0	Plastic Tube Clamp, 1/4	117	6-20-001-0	Screw, #10-12 x 3/4 Pan Head
51	6-20-001-0	Screw, #10-12 x 3/4 Pan Head	118	4-15-059-0	Fan Guard Assembly
52	6-12-021-0	U-Clamp, 5/8	119	6-15-041-0	Nut, 1/4-20
53	6-20-001-0	Screw, #10-12 x 3/4 Pan Head	120	3-15-027-0	Fan Blade; 5 Prop, 7"
54	1-6014-00	Freezer Drain Tube	121	3-21-034-0	Neoprene Silencer, 7/8"
55	3-42-076-0	Drain Pan Holder	122	3-15-028-0	Condenser Fan Motor; 1.5 Watt, 4 Pole
56	3-49-006-0	Drain Pan, 1.3 x 13.1 x 20	123	3-02-229-0	Gray Power Cord
57	6-22-021-0	Stand-Off Heater	124	3-12-015-0	Dual Condenser
58	2-6041-01	Condensate Heater Loop	125	3-11-057-0	Refrigerator Compressor (75WSIK)
59	3-53-009-0	Fan Grille, 6-1/4	126	4-25-046-0	Refrigerator Heat Exchanger Assembly
60	6-11-016-0	Bolt, 1/4 x 3/4 Hex Head	127	3-09-001-0	Base Valve, 1/2 x 1-3/8
61	6-20-012-0	Screw, #10-12 x 1/2 Truss Head	128	3-09-008-0	Valve Cap
62	3-21-001-0	Gasket, 1/16 x 3/16 x 1/2	129	3-11-066-0	Overload Relay Assembly (S75-1156T)
63	3-02-234-0	Refrigerator Switch Plug	130	3-11-067-0	Overload Relay Assembly (125-1156DT)
64	3-13-003-0	Evaporator Coil, 4-1/2 x 6 x 9	131	6-11-035-0	Screw
65	0-16218-1	Blower Cover Without Light Hole	132	2-6006-03	Plastic Water Tube, 41"
66	3-15-006-0	Fan Blade; 5 Prop, 5-1/2	133	6-12-015-0	Wire Clamp; Steel w/Rub, 7/16
67	6-11-027-0	Bolt, #10-32 x 1/4 Round Head	134	3-42-067-0	Screw Spacer
68	4-20-016-0	Freezer Fan Motor, 23 Watt	135	6-20-044-0	Screw, #10 x 11/16 Type B Flat Head
	0-23222-0	Fan Bracket, 7/8 x 3-1/2 x 8	136	3-04-003-0	Control Plastic Sleeve

2511 RFD SYSTEM VIEW



2511 RFD COSMETIC VIEW

Item #	Part #	Description	Item #	Part #	Description
1	4-28-030-0	Unit Shroud Assembly	56	6-20-002-0	Screw, #7-16 x 1/2 Pan Head
2	6-20-023-0	Screw, #8-18 x 1/2 Hex Head	57	3-45-012-0	Grille Spring, 1/4 x 9-3/8
3	2-2195-12	Left Side Main Frame Extrusion (Right Hand Door)	58	0-16435-0	Fan Shroud Front Bracket
	4-12-025-0	Left Side Main Frame Extrusion (Left Hand Door)	59	6-20-002-0	Screw, #7-16 x 1/2 Pan Head
4	0-16453-0	Back Cover & Shroud	60	2-2107-01	Main Frame Angle, 1.5 x .25
5	6-20-023-0	Screw, #8-18 x 1/2 Hex Head	61	6-20-024-0	Screw, #8-32 x 3/8 Phillips Head
6	6-20-021-0	Screw, #8-32 x 1/2 Flat Head	62	0-18256-0	Top Cabinet Hinge
7	6-20-015-0	Screw, #10-24 x 5/8 Round Head	63	6-11-007-0	Bolt, 1/4-20 x 5/8 Hex Head
8	6-11-001-0	Bolt, #10-24 x 1/2 Flat Head (Hinge Screw)	64	6-20-007-0	Screw, #4-24 x 3/8 Flat Head
9	6-20-007-0	Screw, #4-24 x 3/8 Flat Head (Shipping Screw)	65	3-42-007-0	Hinge Bearing
10	3-54-042-0	Freezer Door Lower Hinge, Right Hand	66	3-54-034-0	Refrigerator Top Door Hinge, Right Hand
	3-54-043-0	Freezer Door Lower Hinge, Left Hand		3-54-035-0	Refrigerator Top Door Hinge, Left Hand
11	3-54-041-0	Bottom Cabinet Hinge	67	4-15-031-0	Diffuser Glass Assembly, 5.25 x 31.563
12	3-55-014-0	Self-Thread Insert, 1/4-20	68	4-24-003-0	Grille Assembly, 11 x 36
13	6-24-016-0	Nylon Washer, 5/8 x 380-1/16	69	3-58-010-0	Sub-Zero Nameplate
	6-24-017-0	Nylon Washer, 5/8 x 380-3/32	70	6-15-014-0	Spring Grip Nut, 1/8
14	6-20-036-0	Screw, #6-32 x 7/8 Truss Head (Grille Screw)	71	3-41-015-0	Egg Tray
15	6-11-023-0	Bolt, #10-24 x 1/2 Pan Head	72	3-45-016-0	U-Clip
16	6-24-007-0	Lock Washer, 1/4 S/S	73	3-60-030-0	Refrigerator Cantilever Shelf, 31
17	6-11-016-0	Bolt, 1/4 x 3/4 Hex Head	74	4-15-037-0	Crisper Trim Assembly
18	0-18027-1	Right Door Closer Cover	75	4-15-049-0	Crisper Glass Assembly, 31.44 x 15.50
	0-18027-2	Left Door Closer Cover	76	3-21-022-0	Front Crisper Seal, 30.44
19	6-24-006-0	Star Washer, 1/4	77	3-41-028-0	Crisper Basket Only, 15.00 x 15.96 x 5.68
20	6-20-001-0	Screw, #10-12 x 3/4 Pan Head		4-18-050-0	Crisper Basket Assembly (Veg.), 15.00 x 15.95
21	3-54-027-0	Door Closer	78	3-48-073-0	Crisper Handle, .44 x 1.53 x 14.491
22	3-57-002-0	Rear Leveling Leg, 3/8-18 x 4	79	3-48-068-0	Crisper Front (Veg.), 14.647
23	4-11-003-2	Left Base Assembly	80	4-12-022-0	Right Side Main Frame Extrusion (Right Hand Door)
24	3-57-004-0	Front Leveling Leg, 3/8-18 x 1-1/2		2-2195-06	Right Side Main Frame Extrusion (Left Hand Door)
25	2-8073-15	Freezer Bottom Breaker Strip, 32-7/8	81	6-20-044-0	Screw, #10 x 11/16 Type B Flat Head
26	6-20-001-0	Screw, #10-12 x 3/4 Pan Head	82	3-42-032-0	Roller
27	4-11-003-1	Right Base Assembly	83	3-48-067-0	Crisper Front Only (Meat), 14.647
28	6-20-045-0	Screw, #8 x 1 Type AB Flat Head		4-18-049-0	Crisper Basket Assembly (Meat), 15.00 x 15.95
29	3-41-002-1	Basket Slide, Cabinet Right	84	3-42-030-0	Center Crisper Support, .29 x .31 x 6.25
	3-41-002-2	Basket Slide, Cabinet Left	85	6-22-020-0	Support; Barrel Type, .225 x .406
30	6-20-014-0*	Screw, #8-15 x 3/8 Truss Head	86	6-11-012-0**	Bolt, #10-32 x 5/8 Truss Head
31	6-22-001-0*	Simmons Fastener, 1/2	87	6-12-003-0**	Plastic Tube Clamp, 1/4
32	6-22-012-0	Screw Grommet, 3/8 x 3/4	88	3-54-019-0	Refrigerator Door Mullion Hinge, Right Hand
33	2-8073-11	Freezer Right Side Breaker Strip, 17-1/8		3-54-020-0	Refrigerator Door Mullion Hinge, Left Hand
	2-8073-12	Freezer Left Side Breaker Strip, 17-1/8	89	3-54-020-0	Freezer Door Mullion Hinge, Right Hand
34	6-22-019-0	Support, .275 x .750		3-54-019-0	Freezer Door Mullion Hinge, Left Hand
35	2-8072-02	Mullion Breaker Strip, 32-7/8 (Ref., Bottom; Fzr., Top)	90	6-11-021-0	Screw, #10-24 x 1/2 Flat Head UC
36	6-20-045-0	Screw, #8 x 1 Type AB Flat Head	91	3-54-039-0	Cabinet Mullion Hinge, Right Hand
37	3-42-032-0	Roller, .250 x .75		3-54-040-0	Cabinet Mullion Hinge, Left Hand
38	4-18-062-3	Right Crisper Slide Assembly	92	4-15-068-0	Freezer Baffle Assembly
	4-18-062-4	Left Crisper Slide Assembly	93	3-45-016-0	U-Clip
39	6-20-044-0	Screw, #10 x 11/16 Type B Flat Head	94	3-41-004-0	Ice Bucket Handle
40	6-20-008-0	Screw, #8-15 x 1/2 Truss Head	95	4-18-013-0	Ice Bucket Assembly
41	4-18-063-0	Center Crisper Slide Assembly	96	4-18-043-0	Roll Out Basket Assembly
42	0-20057-0	Cold Plate Cover	97	0-16231-0	Kickplate, 35-1/2
44	6-16-009-0	Spacer, .20 x .38 x 1.44	98	3-57-003-0	Leveling Rod, 26-3/4
45	6-20-037-0	Screw, #8-18 x 2 Truss Head	99	3-60-035-0*	Stationary Shelf, 31
46	6-12-020-0	Cable Clip, .22 x .79 x .50	100	3-41-002-4	Roll Out Basket Slide, Left Side
47	2-2217-02	Left Side Refrigerator Cantilever Shelf Ladder		3-41-002-3	Roll Out Basket Slide, Right Side
48	6-20-014-0	Screw, #8-15 x 3/8 Truss Head	101	2-2124-01	Roll Out Basket Handle
49	2-2217-01	Right Side Refrigerator Cantilever Shelf Ladder	102	6-11-009-0	Bolt, #10-24 x 1/2 Truss Head
50	6-20-014-0	Screw, #8-15 x 3/8 Truss Head	103	6-24-004-0	Flat Washer, 1/4
51	6-22-007-0	Support, .44 x .63 x 1.53	104	6-24-003-0	Plastic Washer, 3/16 x .100
52	2-8073-09	Refrigerator Right Side Breaker Strip, 46-13/16	105	3-60-010-0**	Ice Bucket Shelf, 10 x 10.25
	2-8073-10	Refrigerator Left Side Breaker Strip, 46-13/16	106	6-22-006-0**	Simmons Fastener U-Type
53	2-8073-15	Refrigerator Top Breaker Strip, 32-7/8	107	6-15-009-0**	Wellnut, #10-32
54	2-2195-17	Top Main Frame Extrusion, 36 (Right Hand Door)	108	3-55-016-0	Hex Insert, #10-32 x 3/8
	2-2195-18	Top Main Frame Extrusion, 36 (Left Hand Door)	109	6-11-033-0	Screw, #10-32 x 1/2 Chrome Plated
55	4-28-021-0	Compressor Shroud Assembly	110	3-21-025-0	Rear Crisper Seal
			111	2-2203-01	Crisper Glass Front

*Obsolete As Of Serial #279092

**On Models 251 & 2511 Starting With Serial #279092

2511 RFD COSMETIC VIEW

