

This Owner's Manual is provided and hosted by [Appliance Factory Parts](#).



SUBZERO 801RFD Owner's Manual

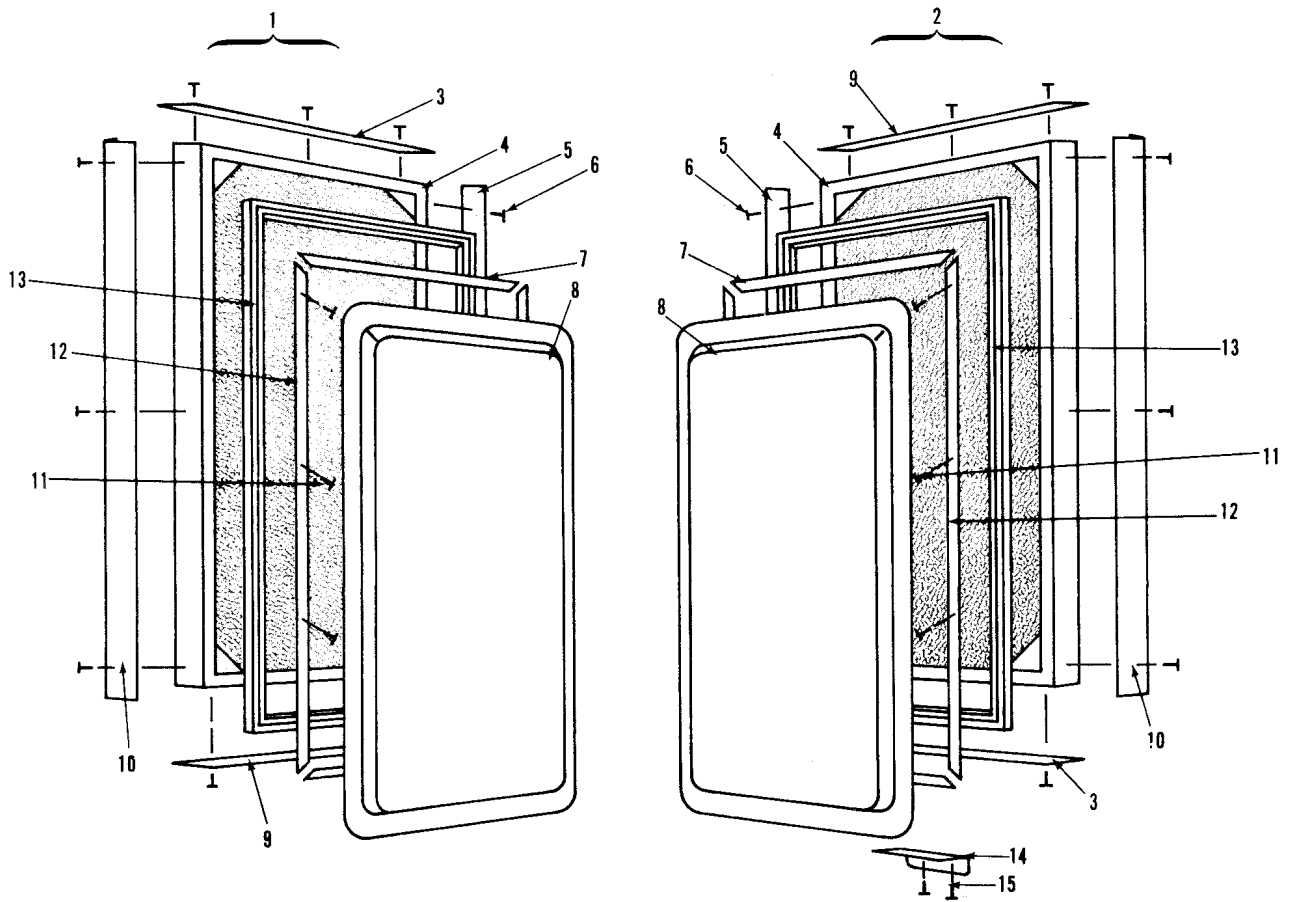
[Shop genuine replacement parts for SUBZERO 801RFD](#)



[Find Your SUBZERO Refrigerator Parts - Select From 117 Models](#)

----- Manual continues below -----

801 RFD DOORS

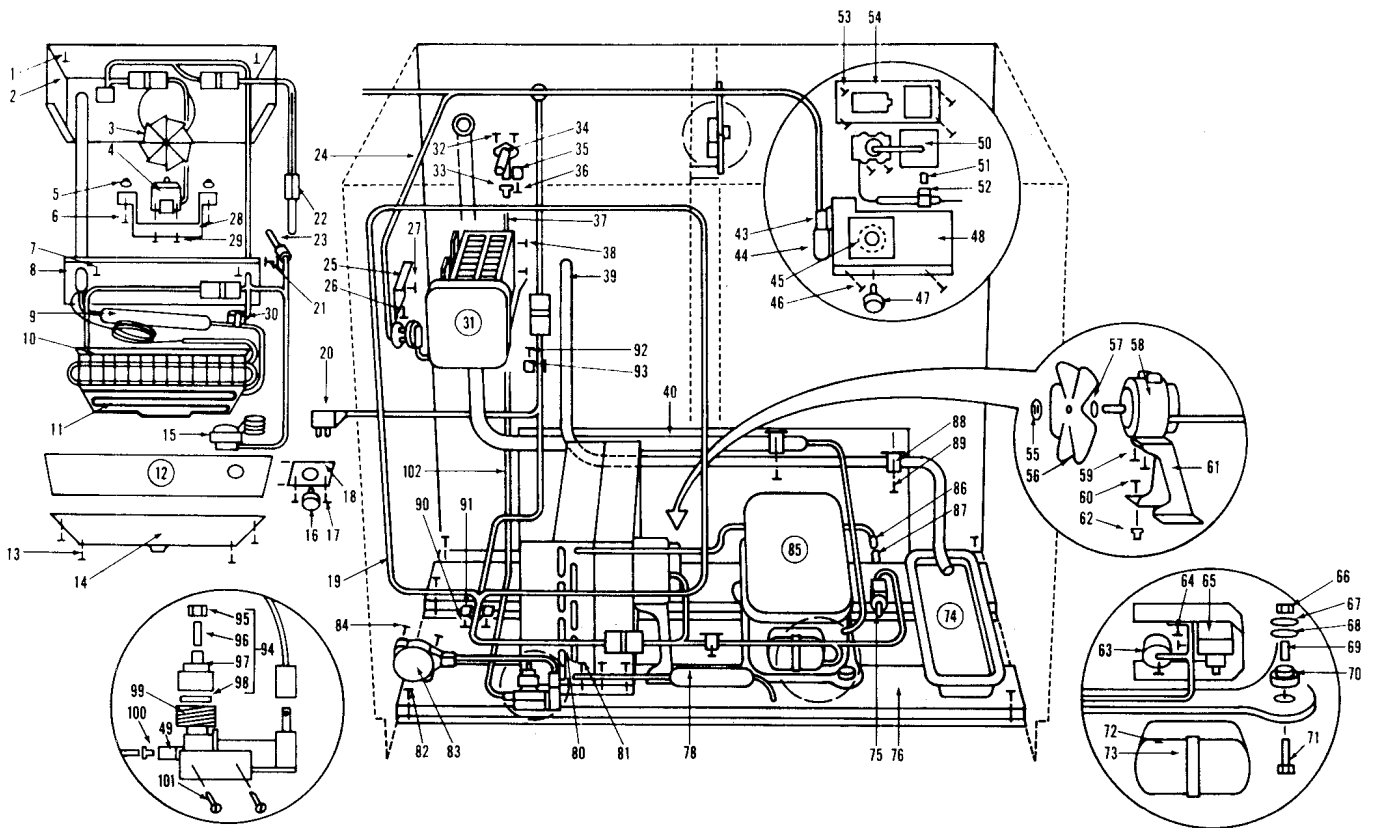


<u>Item #</u>	<u>Part #</u>	<u>Description</u>
1	4-13-055-2	Complete Freezer Door Assembly
2	4-13-055-1	Complete Refrigerator Door Assembly
3	2-2182-13	Door Trim, Top (LH) & Bottom (RH)
4	0-17046-0	Door Shell
5	2-2182-14	Side Door Trim
6	6-20-004-0	Screw, #4-24 x 1/2 Truss Head
7	3-42-014-0	Gasket Retainer; Top & Bottom, 16.125
8	0-18223-0	Door Liner
9	2-2182-12	Door Trim, Top (RH) & Bottom (LH)
10	2-2134-01	Door Handle
11	6-20-041-0	Screw, #8 x 1/2 Slotted Head Hex
12	3-42-018-0	Gasket Retainer; Side, 22.125
13	3-21-020-0	Door Gasket
14	0-18029-0	Switch Depressor
15	6-20-002-0	Screw, #7-16 x 1/2 Pan Head

801 RFD SYSTEM VIEW

Item #	Part #	Description	Item #	Part #	Description
1	6-20-008-0	Screw, #8-15 x 1/2 Truss Head	51	6-16-001-0	Spacer, 7/32 x 3/8 x 1/2
2	0-23138-0	Blower Wrapper	52	6-12-007-0	Plastic Tube Clamp, 3/8
3	3-15-014-0	Fan Blade; 10 Prop, 4"	53	6-20-008-0	Screw, #8-15 x 1/2 Truss Head
4	4-20-016-0	Freezer Fan Motor, 23 Watt	54	0-21036-0	Control Plate
5	6-15-009-0	Wellnut, #10-32	55	6-15-041-0	Nut, 1/4-20
6	6-11-012-0	Bolt, #10-32 x 5/8 Truss Head	56	3-15-032-0	Fan Blade; 3 Prop, 7-3/4
7	6-18-001-0	Pop Rivet, 1/8 Aluminum	57	3-21-034-0	Neoprene Silencer, 7/8"
8	0-23203-0	Wire Channel & Evaporator Support	58	3-15-028-0	Condenser Fan Motor
9	3-01-101-0	Accumulator	59	6-20-049-0	Screw, #8-32 x 3/8 T25 Slotted Hex
10	3-13-001-0	Evaporator Coil, 2 x 6 x 11-1/8	60	6-11-007-0	Bolt, 1/4-20 x 5/8 Hex Head
11	4-32-092-0	Defrost Heater Assembly	61	1-8016-00	Fan Bracket, 2-1/4
12	0-23148-0	Baffle	62	6-15-017-0	Wellnut, 1/4-20
13	6-20-008-0	Screw, #8-15 x 1/2 Truss Head	63	3-11-070-0	Overload (MRP40AMK-34)
14	0-16220-0	Blower Cover	64	6-11-034-0	Screw, Slot Head
15	3-01-206-0	Control	65	3-11-069-0	Start Relay (9660-041-161)
16	3-01-241-0	Control Knob	66	6-15-022-0	Nut, 5/16-18 Hex
17	6-11-005-0	Bolt, #8-32 x 3/8 Truss Head	67	6-24-009-0	Lock Washer, 5/16
18	3-01-202-0	Faceplate	68	6-24-005-0	Flat Washer, 5/16
19	3-01-339-0	Frame Heater	69	6-16-003-0	Spacer, 5/16 x 7/16 x 5/8
20	3-02-231-0	Power Cord, Black	70	3-15-001-0	Rubber Mount, 5/8 x 1-1/4
21	6-20-008-0	Screw, #8-15 x 1/2 Truss Head	71	6-11-020-0	Bolt, 5/16-18 x 1-1/4 Hex Head
22	3-01-332-0	Drain Heater	72	3-11-062-0	Terminal Cover
23	3-01-340-0	Duct Heater, 3/8 x 2	73	3-11-063-0	Terminal Cover Strap
24	4-32-080-0	Icemaker Wiring Harness	74	0-16315-0	Drain Pan
25	625910	Bracket	75	3-06-003-0	Door Switch, Normally Closed (Light)
26	488646	Screw	76	0-16252-1	Front Unit Rail
27	6-20-014-0	Screw, #8-15 x 3/8 Truss Head	78	3-01-401-0	Drier
28	0-23221-0	Fan Bracket	80	3-12-003-0	Condenser, 2-1/2 x 8 x 11-5/16
29	6-11-027-0	Bolt, #10-32 x 1/4 Round Head	81	6-11-002-0	Bolt, #10-24 x 3/8 Truss Head
30	4-32-093-0	Defrost Terminator Assembly	82	6-11-007-0	Bolt, 1/4-20 x 5/8 Hex Head
31	3-14-007-0	Icemaker (Use 3-14-008-0 In Canada <u>Only</u>)	83	3-08-105-0	Defrost Timer
32	6-20-008-0	Screw, #8-15 x 1/2 Truss Head	84	6-20-034-0	Screw, #6-20 x 1/2 Pan Head
33	3-52-005-0	Brass Insert	85	3-11-068-0	Compressor (AE1360D)
34	2-6008-01	Water Inlet Tube	86	3-09-001-0	Base Valve
35	6-12-012-0	Tube Clamp, 3/8 Steel	87	3-09-008-0	Valve Cap
36	6-20-033-0	Screw, #8-18 x 3/8 Pan Head	88	6-12-005-0	Plastic Tube Clamp, 5/8
37	2-6006-05	Plastic Water Tube	89	6-20-002-0	Screw, #7-16 x 1/2 Pan Head
38	6-20-015-0	Screw, #10-24 x 5/8 Round Head	92	6-12-007-0	Plastic Tube Clamp, 3/8
39	1-6014-00	Drain Tube	93	6-20-002-0	Screw, #7-16 x 1/2 Pan Head
40	4-25-057-0	Heat Exchanger	94	3-52-011-0	Water Inlet Fitting Assembly
43	3-05-001-0	Light Socket, 3/4 Single	95	3-52-023-0	Compression Nut
44	3-03-006-0	Light Bulb; 25 Watt, 1 x 2-1/2	96	3-52-022-0	Ball Sleeve
45	3-75-025-0	Control Indicator	97	3-52-021-0	Water Valve Fitting
46	6-20-002-0	Screw, #7-16 x 1/2 Pan Head	98	3-21-003-0	Water Valve Gasket
47	3-01-205-0	Baffle Control Shaft	99	3-09-002-0	Solenoid Valve
48	0-21074-0	Refrigerator Control Baffle	100	3-52-005-0	Brass Insert
49	3-52-003-0	Icemaker Nut; Nylon, 1/4	101	6-20-002-0	Screw, #7-16 x 1/2 Pan Head
50	3-01-204-0	Baffle Control	102	2-6006-05	Plastic Water Line, 40"

801 RFD SYSTEM VIEW



801 RFD COSMETIC VIEW

<u>Item #</u>	<u>Part #</u>	<u>Description</u>
1	2-2195-20	Top Main Frame Extrusion, 36"
2	2-2107-01	Main Frame Angle
3	2-2195-22	Left Side Main Frame Extrusion
5	0-16303-0	Back Cover
6	6-20-023-0	Screw, #8-18 x 1/2 Hex Head
7	0-16229-0	Back Shroud
8	3-57-004-0	Leveling Leg, 3/8-18 x 1-1/2
9	6-20-001-0	Screw, #10-12 x 3/4 Pan Head
11	6-20-001-0	Screw, #10-12 x 3/4 Pan Head
13	0-16301-0	Condenser Support
15	6-20-001-0	Screw, #10-12 x 3/4 Pan Head
16	4-24-025-0	Grille Assembly
17	6-11-023-0	Bolt, #10-24 x 1/2 Pan Head
18	0-16272-0	Kickplate, 35-1/2
19	3-58-002-0	Sub-Zero Nameplate
20	6-15-014-0	Spring Grip Nut, 1/8
21	6-20-008-0	Screw, #8-15 x 1/2 Truss Head
22	0-16412-0	Grille Cover
23	4-18-013-0	Ice Bucket Assembly
24	3-41-004-0	Ice Bucket Handle
25	6-11-001-0	Bolt, #10-24 x 1/2 Flat Head (Hinge Screw)
26	6-20-007-0	Screw, #4-24 x 3/8 Flat Head (Shipping Screw)
27	3-54-019-0	Refrigerator Bottom Door Hinge
	3-54-020-0	Freezer Bottom Door Hinge
28	6-24-016-0	Nylon Washer, 5/8 x 380-1/16 (Hinge Spacers)
	6-24-017-0	Nylon Washer, 5/8 x 380-3/32 (Hinge Spacers)
29	3-42-007-0	Hinge Bearing
30	3-54-037-0	Bottom Cabinet Hinge, Right Hand
	3-54-038-0	Bottom Cabinet Hinge, Left Hand
31	6-11-021-0	Screw, #10-24 x 1/2 Flat Head UC
32	6-22-003-0	Shelf Stud, 3/4 x 7/8
33	2-2195-21	Right Side Main Frame Extrusion
34	3-54-034-0	Refrigerator Top Door Hinge
	3-54-035-0	Freezer Top Door Hinge
35	6-20-007-0	Screw, #4-24 x 3/8 Flat Head (Shipping Screw)
36	6-11-001-0	Bolt, #10-24 x 1/2 Flat Head (Hinge Screw)
37	6-11-007-0	Bolt, 1/4-20 x 5/8 Hex Head
38	0-18256-0	Top Cabinet Hinge
39	6-20-007-0	Screw, #4-24 x 3/8 Flat Head
40	3-42-007-0	Hinge Bearing
42	3-60-003-0	Wire Shelf, 14 x 14-3/4
43	0-21042-0	Control Element Cover
44	6-20-015-0	Screw, #10-24 x 5/8 Round Head
45	6-24-001-0	Finish Washer, #10 Stainless Steel

801 RFD COSMETIC VIEW

