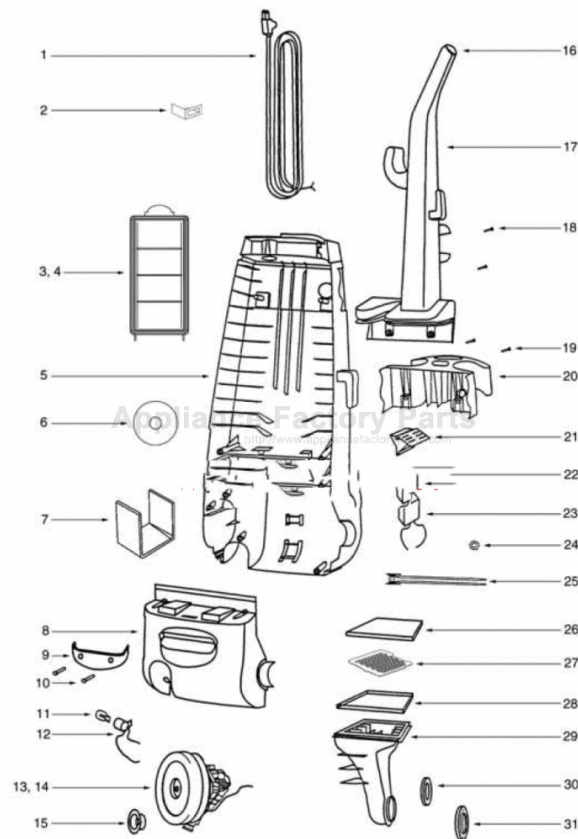


This Owner's Manual is provided and hosted by [Appliance Factory Parts](http://ApplianceFactoryParts.com).



# Eureka 4496AV Owner's Manual

[Shop genuine replacement parts for Eureka 4496AV](#)



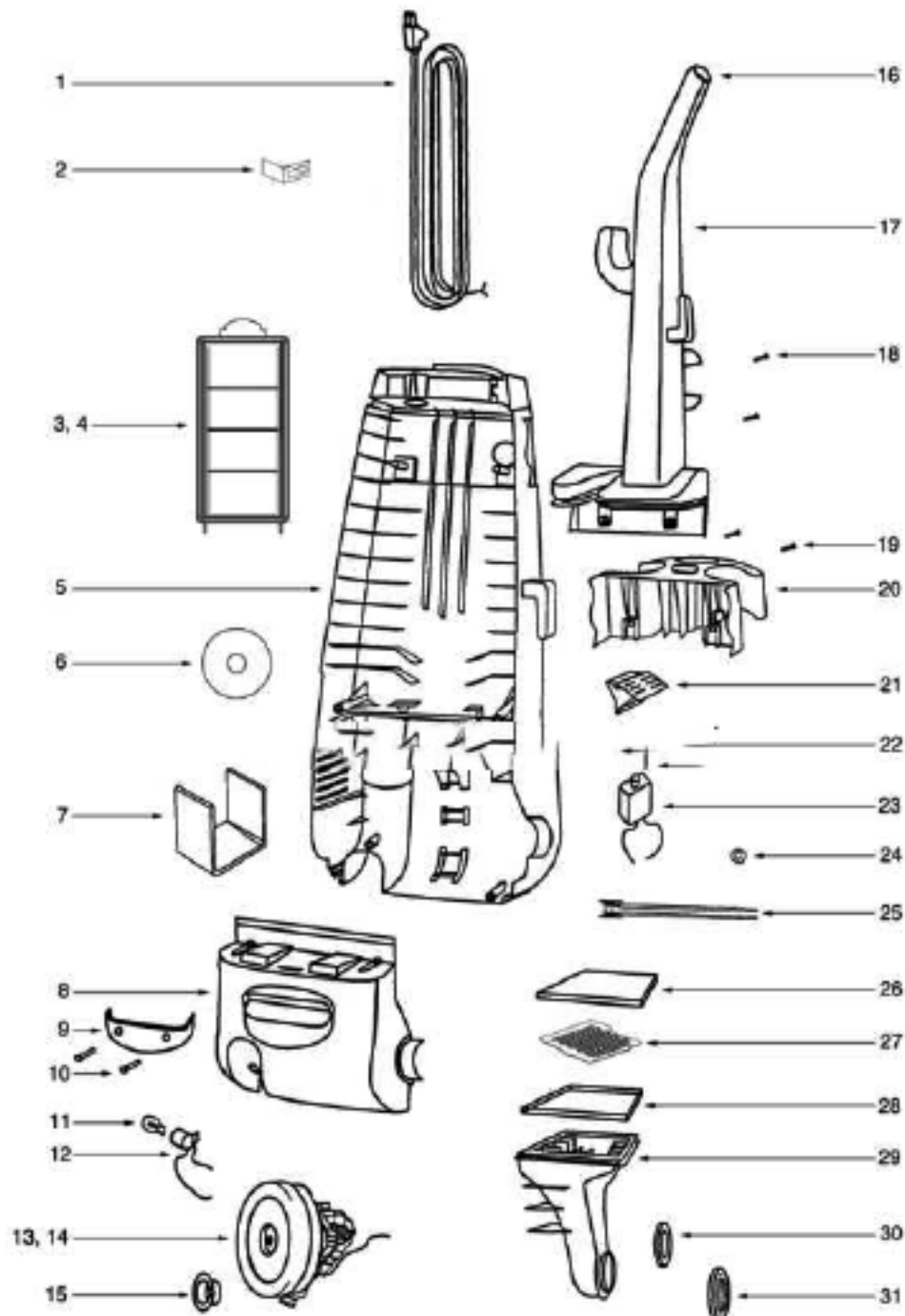
[Find Your Eureka Vacuum Cleaner Parts - Select From 855 Models](#)

----- Manual continues below part list -----

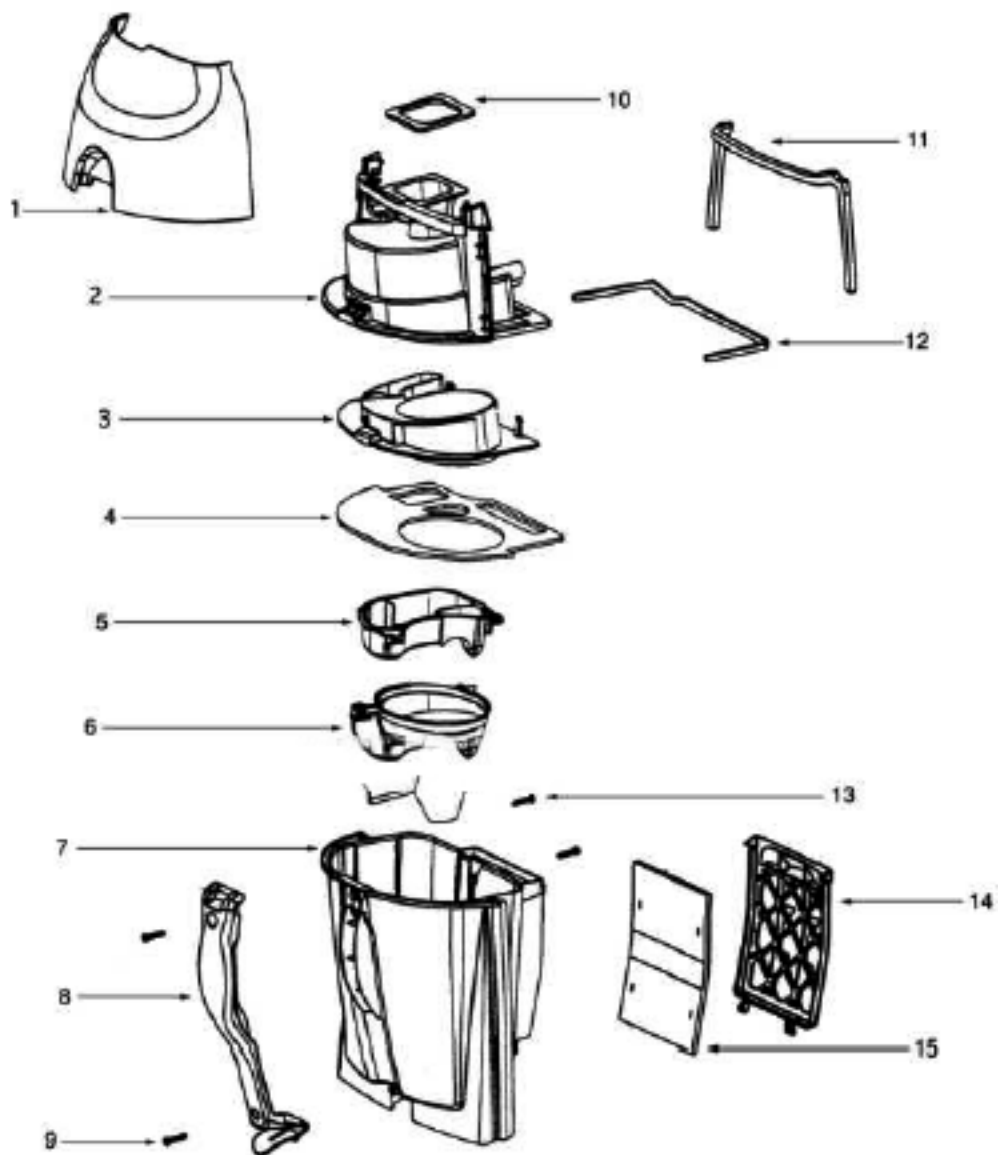
## Available Replacement Parts for Eureka 4496AV

[ER-1875](#)

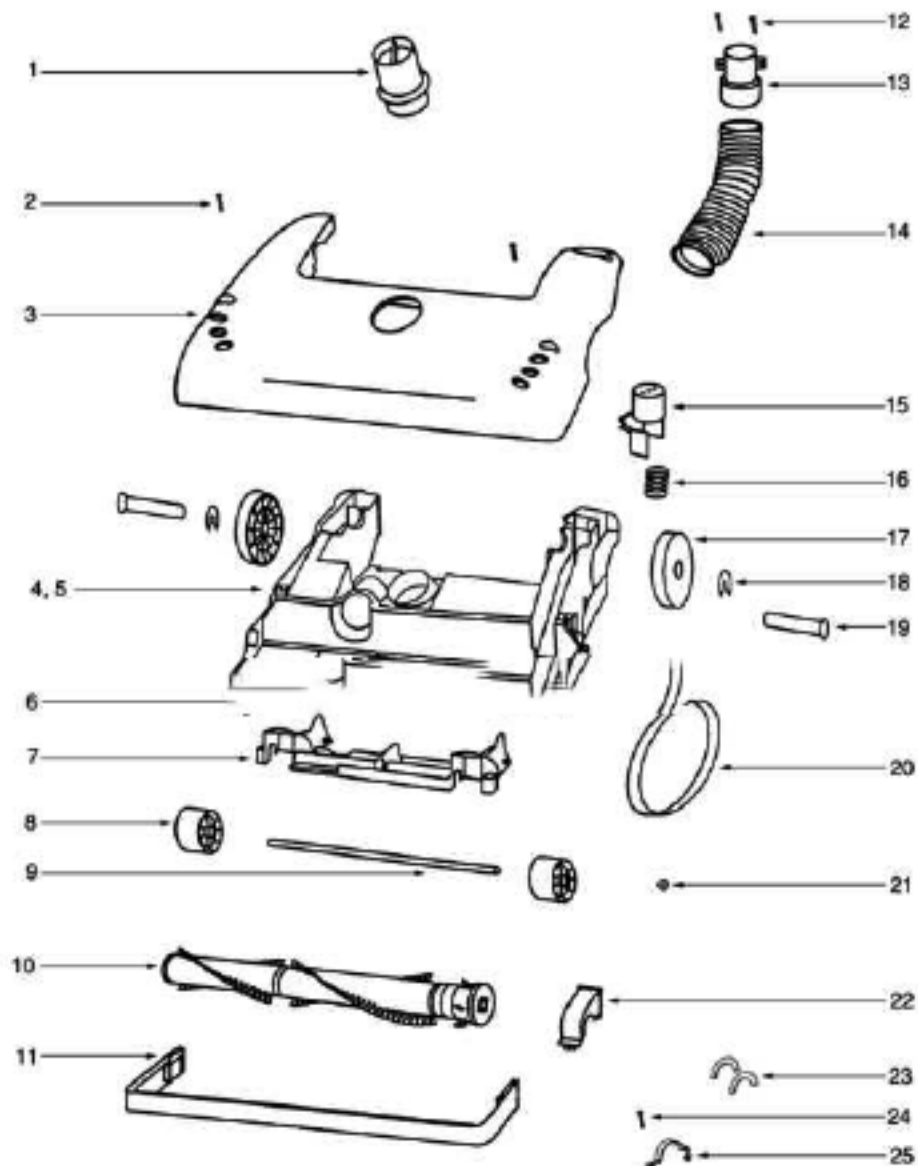
EUREKA HF9 HEPA FILTER



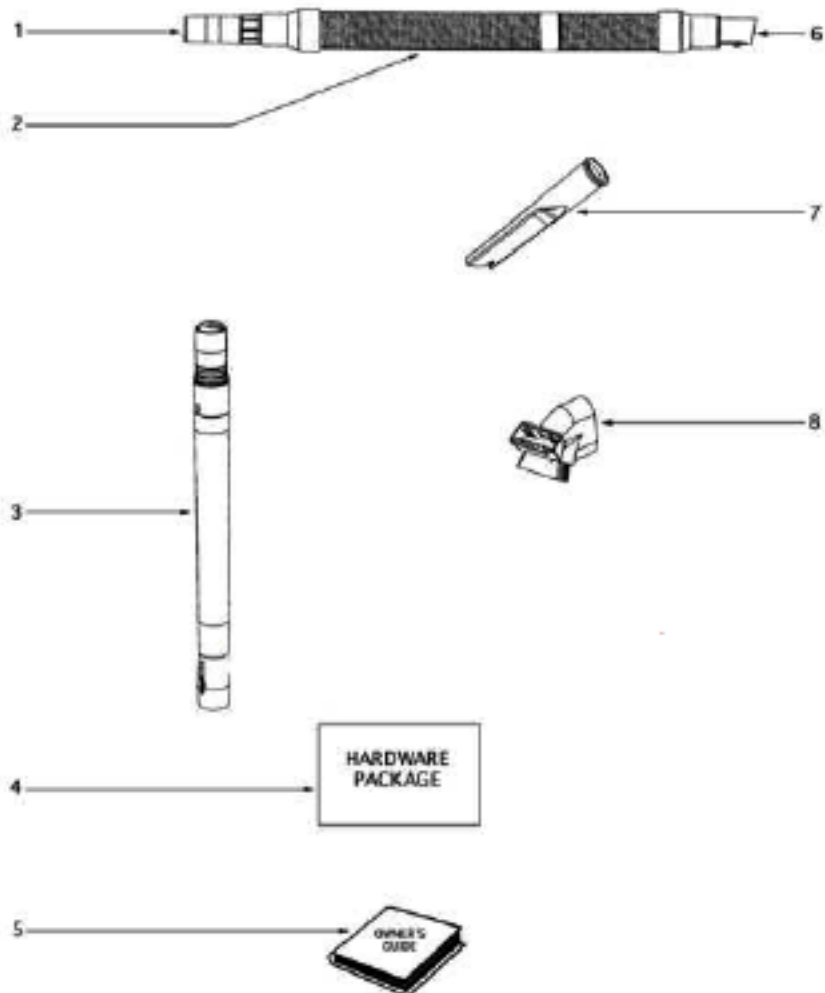
Ref#	Part	Description	Comments	Qty
1	38680-16	SUPPLY CORD & TERMINAL AS		
2	71645	SHIELD - SWITCH		
3	28458-4	FILTER FRAME & GRAPHICS A		
4	61500	HEPA FILTER PKG - STYLE H		
5	71608A-119N	HOUSING - REAR		
6	38588	MOTOR SHIELD		
7	38661	FOAM - SOUND		
8	61432-1	MOTOR COVER ASSY W/O LENS		
9	15072-313N	LENS - MOTOR COVER		
10	60068-2	SCREW PACKAGE		
11	48815	LAMP - HEADLIGHT		
12	38611-1	HEADLAMP SCKT & TERMINAL		
13	60261-11	MOTOR ASSEMBLY - PACKAGED		
14	27962	GASKET		
15	27552B	GROMMET		
16	38482A-119N	CAP - HANDLE		
17	71139-1	HANDLE & CAP ASSEMBLY		
18	54669-4	SCREW PACKAGE		
19	53197-1	SCREW PACKAGE		
20	15443B-119N	TOOL CADDY		
21	27474C-288N	SWITCH - BUTTON		
22	60134	TORS SPRING PKG		
23	28304A	SWITCH - PUSHBUTTON		
24	60165-1	RETAINING RING PKG		
25	39252-2	THERMOSTAT & TERMINAL ASS		
26	61333	MOTOR FILTER PACKAGE		
27	28425	GRILLE - AIR DUCT		
28	59297SV	GASKET - AIR DUCT		
29	15536A-119N	AIR DUCT		
30	27171A	GASKET		
31	39023	FLANGE - MOTOR INTAKE		



Ref#	Part	Description	Comments	Qty
1	60704-36	FRONT COVER ASSEMBLY - PK		
2	60705-5	UPPER CYCLONE ASSY - PKGD		
3	392198-1	CYCLONE GASKET SHEET		
4	280998-333N	FILTER - SCREEN		
5	71568	FUNNEL & GASKET ASSEMBLY		
6	60706-3	CYCLONIC CASSETTE ASSY		
7	28131-288N	GRIP - DIRT CUP		
8	53197-1	SCREW PACKAGE		
9	39219	CYCLONE GASKET SHEET		
10	59595-1	GASKET - CYCLONE		
11	59297-2SV	GASKET - AIR DUCT		
12	28114-119N	FRAME - FILTER		
13	60696	FILTER PACKAGE		



Ref#	Part	Description	Comments	Qty
1	27462E-288N	OPERATOR - HEIGHT ADJUSTM		
2	53238-44	SCREW PACKAGE		
3	60069-66	HOOD ASSEMBLY - PACKAGED		
4	60701-11	BASE ASSY - PKGD		
5	58506-4	GASKET		
6	54943	SPRING PACKAGE		
7	14993C-119N	CARRIAGE - WHEEL		
8	39173A-119N	WHEEL - FRONT		
9	71551	AXLE - WHEEL		
10	61308-2	BRUSHROLL ASSEMBLY - CART		
11	15591A-288N	GUARD - FURNITURE		
12	53197-1	SCREW PACKAGE		
13	27468D-119N	CUFF - HOSE		
14	38479-4	HOSE - COMPRESSION (PURCH		
15	27467A-288N	RELEASE - HANDLE		
16	60133	COMPRESSION SPRING - PACK		
17	27493A-119N	WHEEL - REAR		
18	54432	PACKAGE - RETAINING RING		
19	38590A	AXLE - REAR		
20	61120	BELT PKG ASSY-(U-EXTENDED		
21	60613	PUSH ON NUT PKG		
22	54376-2	BELT CAP & GASKET - PACKA		
23	57569	GASKET - FELT		
24	38420-2	CLAMP		
	27467A-119N	REAR WHEEL		



Ref#	Part	Description	Comments	Qty
1	37057A-3	COUPLING - HOSE		
2	61028-1	HOSE ASSEMBLY - CARTONED		
3	58728B	NESTING WAND ASSEMBLY		
4	59930A	PACKAGE - HARDWARE		
5	70239B	OWNERS GUIDE		
6	27461B-119N	ADAPTER - HOSE		
7	27237-3	TOOL - CREVICE		
8	61037	COMBINATION TOOL - PACKAG		