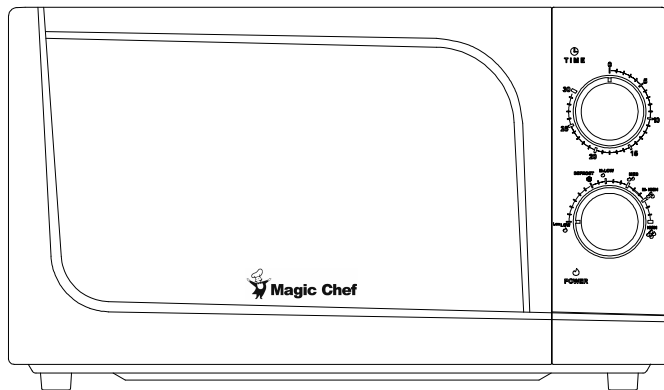


OWNER'S MANUAL



0.7 cu. ft. Microwave Oven
MCD775RW1



1. READ these instructions carefully before installing and operating the oven. Keep them for future reference.
2. Record in the space below the SERIAL NO. found on the nameplate on your oven and retain this information for future reference.

SERIAL NO.:

CONTENTS

PRECAUTIONS TO AVOID POSSIBLE EXPOSURE TO EXCESSIVE MICROWAVE ENERGY.....	2
FEDERAL COMMUNICATIONS COMMISSION RADIO FREQUENCY INTERFERENCE STATEMENT	2
IMPORTANT SAFETY INSTRUCTIONS.....	3
GROUNDING INSTRUCTIONS.....	4
UTENSILS GUIDE.....	5
COOKING TECHNIQUES.....	7
BEFORE YOU CALL FOR SERVICE.....	8
SPECIFICATIONS.....	8
PART NAMES... ..	8
CONTROL PANEL.....	9
OPERATION INSTRUCTIONS.....	9
CLEANING AND CARE.....	10

PRECAUTIONS TO AVOID POSSIBLE EXPOSURE TO EXCESSIVE MICROWAVE ENERGY

- (a) Do not attempt to operate this oven with the door open since open-door operation can result in harmful exposure to microwave energy. It is important not to defeat or tamper with the safety interlocks.
- (b) Do not place any object between the oven front face and the door or allow food particle or cleaner residue to accumulate on sealed surfaces.
- (c) Do not operate the oven if it is damaged. It is particularly important that the oven door close properly and that there is no damage to the
 - Door (bent),
 - Hinges and latches (broken or loosened),
 - Door seals and sealed surfaces.
- (d) The oven should not be adjusted or repaired by anyone except properly qualified service personnel.

FEDERAL COMMUNICATIONS COMMISSION RADIO FREQUENCY INTERFERENCE STATEMENT

WARNING :

This equipment generates and uses ISM frequency energy and if not installed and used properly, that is in strict accordance with the manufacturer's instructions, may cause interference to radio and television reception. It has been type-tested and found to comply with limits for an ISM Equipment pursuant to part 18 of FCC Rules, which are designed to provide reasonable protection against such interference in a residential installation. However, there is no guarantee that interference will not occur in a particular installation. If this equipment does cause interference to radio or television reception, which can be determined by turning the equipment off and on, the user is encouraged to try to correct the interference by one or more of the followings.

- Reorient the receiving antenna of radio or television.
- Relocate the Microwave oven with respect to the receiver.
- Move the microwave oven away from the receiver.
- Plug the microwave oven into a different outlet so that microwave oven and receiver are on different branch circuits.

THE MANUFACTURER is not responsible for any radio or TV interference caused by UNAUTHORIZED MODIFICATION to this microwave oven. It is the responsibility of the user to correct such interference.

IMPORTANT SAFETY INSTRUCTIONS

When using electrical appliances, basic safety precautions should be followed, including the following:

WARNING - To reduce the risk of burns, electric shock, fire, injury to persons or exposure to excessive microwave energy:

1. Read all instructions before using the appliance.
2. Read and follow the specific “PRECAUTIONS TO AVOID POSSIBLE EXPOSURE TO EXCESSIVE MICROWAVE ENERGY” on page 2.
3. Select a level surface that provides enough open space for the intake and/or outlet vents. A minimum clearance of 3 inches is required between the oven and any adjacent wall. One side must be open. Leave a minimum clearance of 3 inches above the oven. Do not cover or block any openings on the appliance. Do not remove feet from the bottom of the oven. This appliance must be grounded and connected only to properly grounded outlet. See “GROUNDING INSTRUCTIONS” on page 4.
4. Some products such as whole eggs and sealed containers, for example, closed glass jars may explode and should not be heated in this oven.
5. Use this appliance only for its intended use as described in this manual. Do not use corrosive chemicals or vapors in this appliance. This type of oven is specifically designed to heat, cook or dry food. It is not designed for industrial or laboratory use.
6. As with any appliance, close supervision is necessary when used by children.
7. To reduce the risk of fire in the oven cavity:
 - a. Do not overcook food. Carefully attend appliance if paper, plastic or other combustible materials are placed inside the oven to facilitate cooking.
 - b. Remove wire twist-ties from paper or plastic bags before placing them in the oven.
 - c. If materials inside the oven should ignite, keep oven door closed, turn oven off, and disconnect the power cord or shut off power at the fuse or circuit breaker panel.**
 - d. Do not use the cavity for storage purposes. Do not leave paper products, cooking utensils or food in the cavity when not in use.

SAVE THESE INSTRUCTIONS

8. Microwave heating of beverage can result in delayed eruptive boiling, therefore care has to be taken when handling the container.
9. Do not deep fry food in the microwave. It is difficult to control the fat which could cause a fire hazard.
10. Pierce foods with heavy skins such as potatoes, whole squash, apples and chestnuts before cooking.
11. The contents of feeding bottles and baby jars should be stirred or shaken and the temperature should be checked before serving in order to avoid burns.
12. Cooking utensils may become hot because of heat transferred from the heated food. Potholders may be needed to handle the utensil.
13. Do not cover or block any openings on the appliance.
14. Do not store or use this appliance outdoors. Do not use this product near water, for example, near a kitchen sink, in a wet basement, or near a swimming pool, etc.
15. Do not operate this appliance if it has a damaged cord or a plug, if it is not working properly or if it has been damaged or dropped.
16. Do not immerse cord or plug in water. Keep cord away from heated surface. Do not let cord hang over edge of table or counter.
17. Use only thermometers which are specifically designed for use in microwave ovens.
18. Do not operate any heating or cooking appliance beneath this appliance.
19. Be certain the glass tray and roller ring are in place when you operate the oven.
20. **WARNING:** It is hazardous for anyone other than a trained person to carry out any service or repair operation which involves the removal of any cover which gives protection against exposure to microwave energy. If there is any damage, do not operate the oven and contact MC Appliance Corp. for service.

GROUNDING INSTRUCTIONS

This appliance must be grounded. In the event of an electrical short circuit, grounding reduces risk of electric shock by providing an escape wire for the electric current.

WARNING: Improper use of the grounding plug can result in a risk of electric shock.

SAVE THESE INSTRUCTIONS

Electrical Requirements

The electrical requirements are a 120 volt 60 Hz, AC only, 15 amp. It is recommended that a separate circuit serving only the oven be provided. The oven is equipped with a 3-prong grounding plug. It must be plugged into a wall receptacle that is properly installed and grounded.

Extension Cord

If it is necessary to use an extension cord, use only a 3-wire extension cord that has a 3 blade grounding plug and a 3-slot receptacle that will accept the plug on the microwave oven. The marked rating of the extension cord shall be equal to or greater than the electrical rating of the appliance.

- Notes:**
1. If you have any questions about the grounding or electrical instructions, consult a qualified electrician or a service person.
 2. Neither MC Appliance Corp nor the dealer can accept any liability for damage to the oven or personal injury resulting from failure to observe the electrical connection procedures.

Radio or TV Interference

Should there be any interference caused by the microwave oven to your radio or TV, check that the microwave oven is on a different circuit, relocated the radio or TV as far away from the oven as feasible or check position and signal of receiving antenna.

UTENSILS GUIDE

This section lists which utensils can be used in the microwave, which ones have limited use for short periods, and which ones should not be used in the microwave.

Recommended

- Microwave browning dish** — Use to brown the exterior of small items such as steaks, chops, or pancakes. Follow the directions provided with your browning dish.
- Microwaveable plastic wrap** — Use to retain steam. Leave a small opening for some steam to escape and avoid placing it directly on the food.
- Paper towels and napkins** — Use for a short-term heating and covering; these absorb excess moisture and prevent spattering. Do not use recycled paper towels, which may contain metal and could ignite.

SAVE THESE INSTRUCTIONS

- Glass and glass-ceramic bowls and dishes** — Use for heating or cooking.

- Paper plates and cups** — Use for short-term heating at low temperatures. Do not use recycled paper, which may contain metal and could ignite.
- Wax paper** — Use as a cover to prevent spattering.
- Thermometers** — Use only those labeled “Microwave Safe” and follow all directions. Check the food in several places. Conventional thermometers may be used on microwave food once the food has been removed from the oven.

Limited Use

- Aluminum foil** — Use narrow strips of foil to prevent overcooking of exposed areas. Using too much foil can damage your oven, so be careful. You should keep distance of 1 inch (2.54cm) between aluminum foil and cavity.
- Ceramic, porcelain, and stoneware** — Use these if they are labeled “Microwave Safe”. If they are not labeled, test them to make sure they can be used safely.
- Plastic** — Use only if labeled “Microwave Safe”. Other plastics can melt.
- Straw, wicker, and wood** — Use only for short-term heating, such as warming dinner rolls for a few seconds; baskets and bowls may be flammable.

Not Recommended

- Glass jars and bottles** — Regular glass is too thin to be used in a microwave. It can shatter and cause damage and injury.
- Paper bags** — These are a fire hazard, except for popcorn bags that are designed for microwave use.
- Styrofoam plates and cups** — These can melt and leave an unhealthy residue on food.
- Plastic storage and food containers** — Containers such as margarine tubs can melt in the microwave.
- Metal utensils** — These can damage your oven. Remove all metal before cooking.

Note: Should you wish to check if a dish is safe for microwaving, place the empty dish in the oven and microwave on HIGH for 30 seconds. A dish which becomes very hot should not be used.

SAVE THESE INSTRUCTIONS
COOKING TECHNIQUES

Stirring

Stir foods such as casseroles and vegetables while cooking to distribute heat evenly. Food at the outside of the dish absorbs more energy and heats more quickly, so stir from the outside to the center. The oven will turn off when you open the door to stir your food.

Arrangement

Arrange unevenly shaped foods, such as chicken pieces or chops, with the thicker, meatier parts toward the outside of the turntable where they receive more microwave energy. To prevent overcooking, place delicate areas, such as asparagus tips, toward the center of the turntable.

Shielding

Shield food with narrow strips of aluminum foil to prevent overcooking. Areas that need shielding include poultry wing-tips, the ends of poultry legs, and corners of square baking dishes. Use only small amounts of aluminum foil. Larger amounts can damage your oven.

Turning

Turn foods over midway through cooking to expose all parts to microwave energy. This is especially important with large foods such as roasts.

Standing

Foods cooked in the microwave build up internal heat and continue to cook for a few minutes after heating stops. Let foods stand to complete cooking, especially foods such as cakes and whole vegetables. Roasts need this time to complete cooking in the center without overcooking the outer areas. All liquids, such as soup or hot chocolate, should be shaken or stirred when cooking is complete. Let liquids stand a moment before serving. When heating baby food, stir well at removal and test the temperature before serving.

Adding moisture

Microwave energy is attracted to water molecules. Food that is uneven in moisture content should be covered or allowed to stand so that the heat disperse evenly. Add a small amount of water to dry food to help it cook.

SAVE THESE INSTRUCTIONS

BEFORE YOU CALL FOR SERVICE

If the oven fails to operate:

A) Check to ensure that the oven is plugged in securely. If it is not, remove the plug from the outlet, wait 10 seconds and plug it in again securely.

B) Check for a blown circuit fuse or a tripped main circuit breaker. If these

seem to be operating properly, test the outlet with another appliance.

C) Check to ensure that the control panel is programmed correctly and the timer is set.

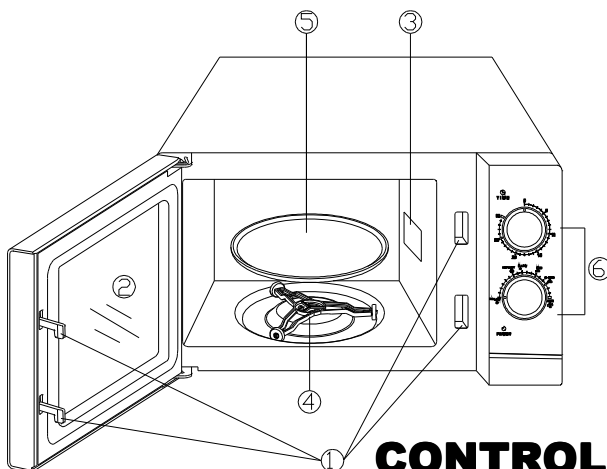
IF NONE OF THE ABOVE RECTIFY THE SITUATION, THEN CONTACT MC APPLIANCE CORPORATION TO OBTAIN SERVICE.

DO NOT TRY TO ADJUST OR REPAIR THE OVEN YOURSELF.

SPECIFICATIONS

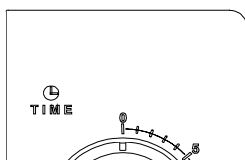
Power Consumption:	120V~60Hz, 1050W
Output:	700W
Operation Frequency:	2450MHz
Unit Dimensions(H×W×D):	10 5/16×17 13/16×14 5/16 in.
Oven Capacity:	0.7 cu.ft.
Net Weight:	Approx. 23.8 lbs.

PART NAMES



- Door Safety Lock System
- Oven Window
- Wave Guide
- Turntable roller
- Glass Tray
- Control Panel

CONTROL PANEL



TIMER (0 ~ 30 minutes)

Used in setting cooking time for all functions.

POWER

Used in select a microwave power level.

OPERATION INSTRUCTIONS

1. Plug Power supply cord into a standard 3-pronged 10 Amp, 120V AC 60Hz power outlet.
2. After placing the food in a suitable container, open the oven door and put it on the glass tray. The glass tray and roller must always be in place during cooking
3. Close the door. Make sure that it is firmly closed.
4. Set the variable power control to the desired power level.

POWER LEVEL	OUTPUT POWER
LOW	17 %
DEFROST	40 %
MED-LOW	48 %
MEDIUM	66 %
MED-HIGH	85 %
HIGH	100 %

5. Set the operating time by turning the timer control to the desired cook time and the microwave cooking starts.

NOTE : If setting the timer control for less than 2 minutes, turn it past 2 minutes and then back to the desired time.

6. Microwave energy will be turned off automatically when the timer reaches “0” position. Then food can be taken out of the oven.

- To prevent the oven from operating with the door open, your microwave oven is fitted with safety door interlock switches.
- If you wish to inspect the food while it is cooking simply open the door. The oven will automatically stop cooking, To continue cooking, you simply close the door.
- If you wish to stop cooking, simply turn the timer knob to the “0” position. Cooking can be reset at any time during the cooking cycle by turning the timer control.
- Do not let the timer continue to operate after removing or when there is no food.

CLEANING AND CARE

1. Turn off the oven and remove the power plug from the wall socket before cleaning.
2. Keep the inside of the oven clean. When food splatters or spilled liquids adhere to oven walls, wipe with a damp cloth. Mild detergent may be used if the oven gets very dirty. Avoid the use of spray and other harsh cleaners as they may stain, streak or dull the door surface.
3. The outside surfaces should be cleaned with a damp cloth. To prevent damage to the operating parts inside the oven, water should not be allowed to seep into the ventilation openings.
4. Wipe the window on both sides with a damp cloth to remove any spills or splatters.
5. Do not allow the control panel to become wet. Clean with a soft, damp cloth. When cleaning the control panel, leave oven door open to prevent oven from accidentally turning on.
6. If steam accumulates inside or around the outside of the oven door, wipe with a soft cloth. This may occur when the microwave oven is operated under high humidity conditions, this is normal.
7. It is occasionally necessary to remove the glass tray for cleaning. Wash the tray in warm sudsy water or in a dishwasher.
8. The roller ring and oven floor should be cleaned regularly to avoid excessive

noise. Simply wipe the bottom surface of the oven with mild detergent. The roller ring may be washed in mild sudsy water or dishwasher. When removing the roller ring from cavity floor for cleaning, be sure to replace in the proper position.

9. Remove odors from your oven by

combining a cup of water with the juice and skin of one lemon in a deep microwaveable bowl, microwave for 5 minutes. Wipe thoroughly and dry with a soft cloth.

10. When it becomes necessary to replace the oven light, please consult a dealer to have it replaced.

SAVE THESE INSTRUCTIONS



Microwave Oven Warranty

MC Appliance Corp. warrants each new Microwave Oven to be free from defects in material and workmanship and agrees to remedy any such defect or to furnish a new part(s) (at the company's option) for any part(s) of the unit that

has failed during the warranty period. Parts and labor expenses are covered on this unit for a period of one year after the date of purchase. In addition, MC Appliance Corp. warrants the Magnetron (parts only) to be free from defects in material and workmanship for a period of 8 years. The consumer is responsible for all labor and transportation expenses related to the diagnosis and replacement of the magnetron after the initial one- year warranty has expired. If in the event the unit requires replacement or refund under the terms of this warranty the consumer is responsible for all transportation expenses to return the unit to our factory prior to receiving a replacement unit or refund. **A copy of the dated sales receipt / invoice is required to receive warranty service.**

This warranty covers appliances in use within the continental United States, Puerto Rico and Hawaii. The warranty does not cover the following:

- Damages due to shipping damage or improper installation.
- Damages due to misuse or abuse.
- Content losses due to failure of the unit.
- Inside components such as door panels, door shelves, racks, light bulbs etc...
- Repairs performed by unauthorized service agents.
- Service calls that do not involve defects in material and workmanship such as instruction on proper use of the product, or improper installation.
- Replacement or resetting of house fuses or circuit breakers.
- Failure of this product if used for other than its intended purpose.
- Disposal costs of failed units not returned to our factory.
- Any delivery / installation costs incurred as the result of a unit that fails to perform as specified.

This warranty is in lieu of all warranties expressed or implied and no representative or person is authorized to assume for us any other liability in connection with the sale of this product. Under no circumstances is the consumer permitted to return this unit to the factory without prior written consent from MC Appliance Corp.

Model	Parts	Labor	Magnetron (Part Only)	Type of Service
MCD775RW1	One- Year	One- Year	Eight Years	Carry In

For Service or Assistance please call 888 775-0202 or visit us on the web at www.mcappliance.com