

This Owner's Manual is provided and hosted by [Appliance Factory Parts](#).



MAGIC CHEF MCO153UW Owner's Manual

[Shop genuine replacement parts for MAGIC CHEF
MCO153UW](#)



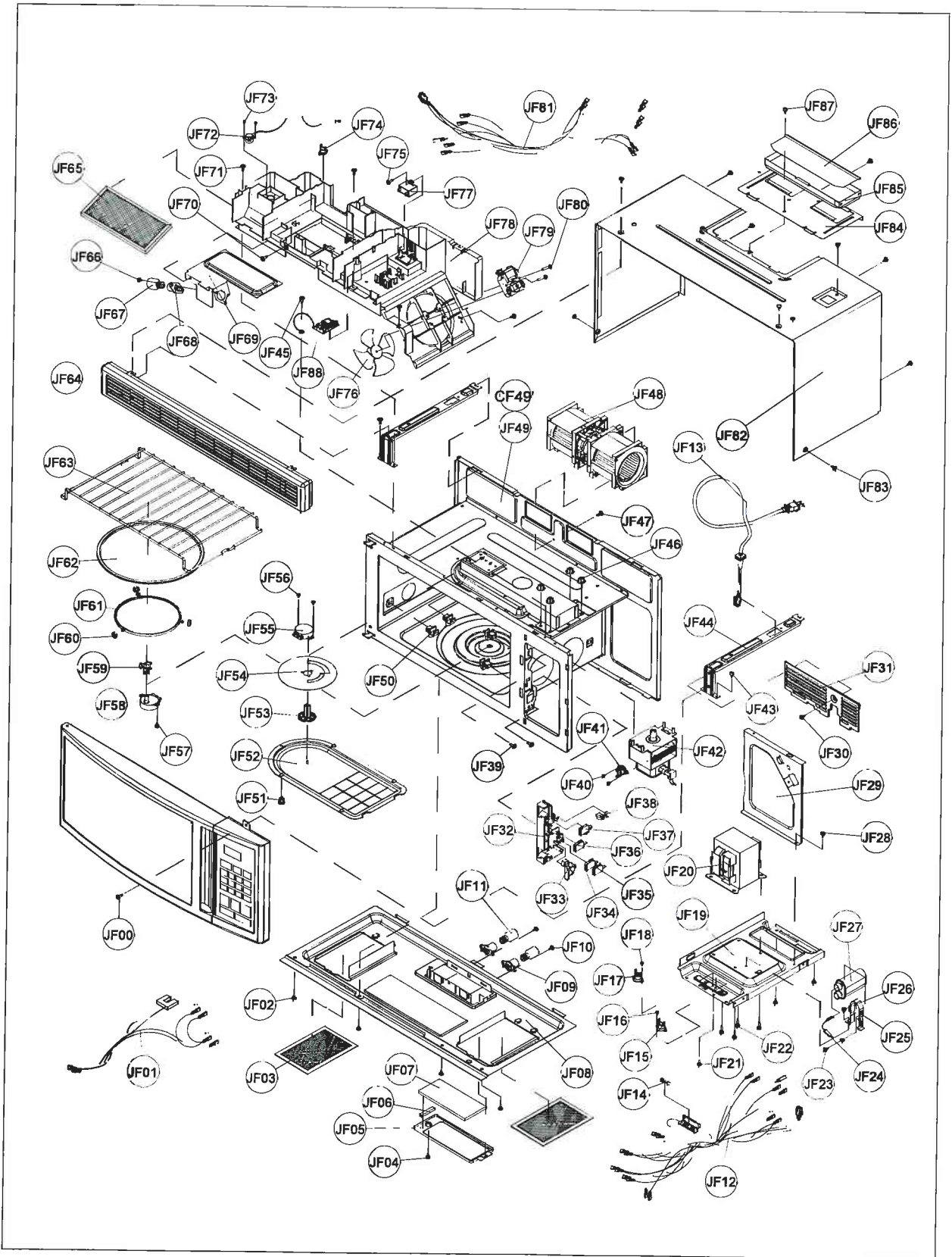
[Find Your MAGIC CHEF Microwave Parts - Select From 180 Models](#)

----- Manual continues below -----

M0153

EXPLODED VIEW AND PARTS LIST

3. TOTAL ASSEMBLY



EXPLODED VIEW AND PARTS LIST

REF.NO.	PART NAME	DESCRIPTION	PART CODE	QTY	REMARK
A00	DOOR AS	KOT-150S0A	3511712200	1	BLACK
					BISQUE
					WHITE
		KOT-151S0A	3511712210	1	BLACK
					BISQUE
					WHITE
		KOT-152U0A	3511712220	1	BLACK
					BISQUE
					WHITE
		KOT-153S0A	3511712230	1	
		KOT-154S0A	3511712240	1	
B00	CONTROL PANEL ASSY	KOT-150S0A	PKCPSWLA00	1	BLACK
					BISQUE
					WHITE
		KOT-151S0A	PKCPSWLD00	1	BLACK
					BISQUE
					WHITE
		KOT-152U0A	PKCPSWLF00	1	BLACK
					BISQUE
					WHITE
F00	SCREW TAPPING	TI TRS 4X10 MFZN	7112401011	1	
F01	HARNESS LAMP	KOT-150S0A	3512766700	1	
F02	SCREW TAPPING	TI TRS 4X10 MFZN	7112401011	1	
F03	FILTER AIR	AL	3511900200	2	
F04	SCREW TAPPING	TI TRS 4X10 MFZN BK	7112401012	1	
F05	BRACKET LAMP COVER	SECC T0.5 M/GY	3510605000	1	
F06	FOAM	UR 5TX10X60	3517303300	1	
F07	COVER LAMP	GLASS T3.0	3511405500	1	
F08	PLATE * B PAINTING AS	KOT-150S0A	3514501500	1	BLACK
					BISQUE
					WHITE
F09	HOLDER LAMP	PENOL 250V 75W	3513003000	2	
F10	SCREW TAPPING	TI TRS 4X10 MFZN	7112401011	2	
F11	LAMP	BL125V 30W T25 C7A #187	3513602400	2	
F12	HARNESS MAIN	KOT-150S1A	3512717110	1	
F13	CORD POWER AS	3X14AWG 80X80 250-RTML	35113UJWZ8	1	
F14	FUSE CERA	UL/CSA 65TS 125V 20A	5F1CD2031S	1	
F15	THERMOSTAT	OFF:40 ON:56 V#250	3518905500	1	
F16	SCREW TAPPING	T2S PAN 4X6 MFZN	7121400611	1	
F17	THERMOSTAT	OFF:90 ON:0 V#187	3518904800	1	
F18	SCREW TAPPING	T2S PAN 4X6 MFZN	7121400611	1	
F19	BASE * R	SBHG T0.8	3510312900	1	
F20	TRANS HV	DY-N10A0-15T	3518116300	1	
F21	SCREW TAPPING	TI TRS 4X10 MFZN	7112401011	3	
F22	SPECIAL SCREW	TT2 HEX 4X8 FLG MFZN	3516003700	4	

EXPLODED VIEW AND PARTS LIST

REF.NO.	PART NAME	DESCRIPTION	PART CODE	QTY	REMARK
F23	SCREW TAPTITE	TT3 TRS 4X8 MFZN	7272400811	1	
F24	DIODE HV	SANKEN HVR-1X-32B(D5.3)	4416V24000	1	
F25	HOLDER HV CAPACITOR	SECC T0.8	3513001900	1	
F26	SCREW TAPPING	TI TRS 4X10 MFZN	7112401011	1	
F27	CAPACITOR HV	2100VAC 0.98UF #250 +3-0%	3518302800	1	
F28	SCREW TAPPING	TI TRS 4X10 MFZN	7112401011	1	
F29	GUIDE AIR OUTLET	SECC T0.6	3512519000	1	
F30	SCREW TAPPING	TI TRS 4X10 MFZN	7112401011	1	
F31	PROTECTOR WIRE	SECC T0.6	3515703700	1	
F32	LOCK	POM	3513804700	1	
F33	LEVER LOCK	POM	3513700800	1	
F34	SW MICRO	VP531A-0F/SZM-V16-FA-61/MP101C	4415A66910	1	SECONDARY
F35	SW MICRO	VP533A-0F SPNO #187 200G	4415A17352	1	LAMP
F36	SW MICRO	VP532A-0F SPNC #187 200G	4415A66610	1	MONITOR
F37	SW MICRO	VP533A-0F SPNO #187 200G	4415A17352	1	PRIMARY
F38	LEVER SW MICRO	POM	3513702100	1	
F39	SCREW TAPPING	TI TRS 4X12 MFZN	7122401211	1	
F40	SCREW TAPPING	TI PAN 3X6 MFZN	7121300611	2	
F41	THERMOSTAT	OFF:150 ON:60BV#187	3518903400	1	
F42	MAGNETRON	2M218H(KP)	3518003100	1	
F43	SCREW SPECIAL	TI TRS 4X16 SE MFZN	7S312X40D1	1	
F44	SUPPORTER RANGE MT	SBHG T0.8	3515306900	2	
F45	SCREW SPECIAL	TI TRS 4X16 SE MFZN	7S312X40D1	3	
F46	NUT HEX	NUT FLANGE M5X0.8P MFZN	7S627W50X1	4	
F47	SCREW TAPPING	TI TRS 4X10 MFZN	7112401011	1	
F48	MOTOR CONDENSOR	120-127V 60HZ W1D46JA002	3964821200	1	
F49	CAVITY AS	KOT-150S0A	3516110600	1	
		KOT-152UDA	3516110610	1	
F50	GUIDE TRAY RACK	POLYSULFONE	3512515900	4	
F51	BUTTON LOCKING	PP HONAM A353B	4078502031	1	
F52	COVER STIRRER	PP 511MF6 A353B	3511406800	1	
F53	COUPLER STIRRER	PPS	3517401800	1	
F54	STIRRER BLADE	AL050-H18 T0.7	3517100900	1	
F55	MOTOR SYNCRO	120V 2.4W ST-16 KX63MRAA	3966820710	1	
F56	SCREW TAPPING	T2S PAN 4X6 MFZN	7121400611	2	
F57	SCREW TAPPING	T2S PAN 4X6 MFZN	7121400611	1	
F58	MOTOR SYNCRO	120V 2.4W ST-16 KX63XOAD	3966820810	1	
F59	COUPLER	PPS	3517400600	1	
F60	ROLLER	TEFLON D:14.5	3514701501	3	
F61	GUIDE ROLLER	PP	3512519300	1	
F62	TRAY	BORO-S1 GLASS(NEG)	441X335A10	1	
F63	TRAY RACK	MSWR-3	3517207100	1	
F64	GRILL AIR	PC	3512400300	1	BLACK
					BISQUE
					WHITE
F65	FILTER CHARCOAL	AL	3511900300	1	

EXPLODED VIEW AND PARTS LIST

REF.NO.	PART NAME	DESCRIPTION	PART CODE	QTY	REMARK
F23	SCREW TAPTITE	TT3 TRS 4X8 MFZN	7272400811	1	
F24	DIODE HV	SANKEN HVR-1X-32B(D5.3)	4416V24000	1	
F25	HOLDER HV CAPACITOR	SECC T0.8	3513001900	1	
F26	SCREW TAPPING	TI TRS 4X10 MFZN	7112401011	1	
F27	CAPACITOR HV	2100VAC 0.98UF #250 +3-0%	3518302800	1	
F28	SCREW TAPPING	TI TRS 4X10 MFZN	7112401011	1	
F29	GUIDE AIR OUTLET	SECC T0.6	3512519000	1	
F30	SCREW TAPPING	TI TRS 4X10 MFZN	7112401011	1	
F31	PROTECTOR WIRE	SECC T0.6	3515703700	1	
F32	LOCK	POM	3513804700	1	
F33	LEVER LOCK	POM	3513700800	1	
F34	SW MICRO	VP531A-0F/SZM-V16-FA-61/MP101C	4415A66910	1	SECONDARY
F35	SW MICRO	VP533A-0F SPNO #187 200G	4415A17352	1	LAMP
F36	SW MICRO	VP532A-0F SPNC #187 200G	4415A66610	1	MONITOR
F37	SW MICRO	VP533A-0F SPNO #187 200G	4415A17352	1	PRIMARY
F38	LEVER SW MICRO	POM	3513702100	1	
F39	SCREW TAPPING	TI TRS 4X12 MFZN	7122401211	1	
F40	SCREW TAPPING	TI PAN 3X6 MFZN	7121300611	2	
F41	THERMOSTAT	OFF:150 ON:60BV#187	3518903400	1	
F42	MAGNETRON	2M218H(KP)	3518003100	1	
F43	SCREW SPECIAL	TI TRS 4X16 SE MFZN	7S312X40D1	1	
F44	SUPPORTER RANGE MT	SBHG T0.8	3515306900	2	
F45	SCREW SPECIAL	TI TRS 4X16 SE MFZN	7S312X40D1	3	
F46	NUT HEX	NUT FLANGE M5X0.8P MFZN	7S627W50X1	4	
F47	SCREW TAPPING	TI TRS 4X10 MFZN	7112401011	1	
F48	MOTOR CONDENSOR	120-127V 60HZ W1D46JA002	3964821200	1	
F49	CAVITY AS	KOT-150SOA	3516110600	1	
		KOT-152UDA	3516110610	1	
F50	GUIDE TRAY RACK	POLYSULFONE	3512515900	4	
F51	BUTTON LOCKING	PP HONAM A353B	4078502031	1	
F52	COVER STIRRER	PP 511MF6 A353B	3511406800	1	
F53	COUPLER STIRRER	PPS	3517401800	1	
F54	STIRRER BLADE	AL050-H18 T0.7	3517100900	1	
F55	MOTOR SYNCRO	120V 2.4W ST-16 KX63MRAA	3966820710	1	
F56	SCREW TAPPING	T2S PAN 4X6 MFZN	7121400611	2	
F57	SCREW TAPPING	T2S PAN 4X6 MFZN	7121400611	1	
F58	MOTOR SYNCRO	120V 2.4W ST-16 KX63XOAD	3966820810	1	
F59	COUPLER	PPS	3517400600	1	
F60	ROLLER	TEFLON D:14.5	3514701501	3	
F61	GUIDE ROLLER	PP	3512519300	1	
F62	TRAY	BORO-S1 GLASS(NEG)	441X335A10	1	
F63	TRAY RACK	MSWR-3	3517207100	1	
F64	GRILL AIR	PC	3512400300	1	BLACK BISQUE WHITE
F65	FILTER CHARCOAL	AL	3511900300	1	

EXPLODED VIEW AND PARTS LIST

REF.NO.	PART NAME	DESCRIPTION	PART CODE	QTY	REMARK
F66	SCREW TAPPING	TI TRS 4X10 MFZN	7112401011	1	
F67	LAMP	BL 125V 30W T25 C7A #187	3513602400	1	
F68	HOLDER LAMP	PENOL 250V 75W	3513003000	1	
F69	COVER MOTOR SYNCRO	SECC T0.5	3511406700	1	
F70	SCREW SPECIAL	TI TRS 4X16 SE MFZN	7S312X40D1	1	
F71	SCREW SPECIAL	TI TRS 4X16 SE MFZN	7S312X40D1	3	
F72	SENSOR HUMIDITY	DH-1-D2	35148101200	1	
F73	SCREW TAPPING	T2S PAN 3X6 MFZN	7121300611	2	
F74	THERMOSTAT	OFF:100 ON:0 V#187	3518904700	1	
F75	SCREW SPECIAL	TI TRS 4X16 SE MFZN	7S312X40D1	1	
F76	FAN	PP GF20	3511800100	1	
F77	CAPACITOR RUNNING	250VAC 6.0UF	3518301100	1	
F78	GUIDE AIR * T	PP 5101SW BK	3512519100	1	
F79	MOTOR SHADED POLE	120V 60HZ MW15XA-P02	3963822400	1	
F80	SCREW TAPPING	T2S PAN 4X30 MFZN	7121403011	2	
F81	HARNESS THERMOSTAT	KOT-150S0A	3512766600	1	
F82	CABINET	PCM OR PAINTED STEEL	3510802900	1	BLACK
					BISQUE
					WHITE
F83	SCREW TAPPING	TI TRS 4X10 MFZN BK	7112401012	7	
F84	COVER MOTOR CONDENSOR	SBHG T0.6	3511405200	1	
F85	GUIDE DAMPER	SECC T0.5	3512516500	1	
F86	VALVE DAMPER	ET T0.21	3515400400	1	
F87	SCREW TAPPING	TI TRS 4X10 MFZN	7112401011	2	
F88	NOISE FILTER	DWLF-M15	3518606300	1	