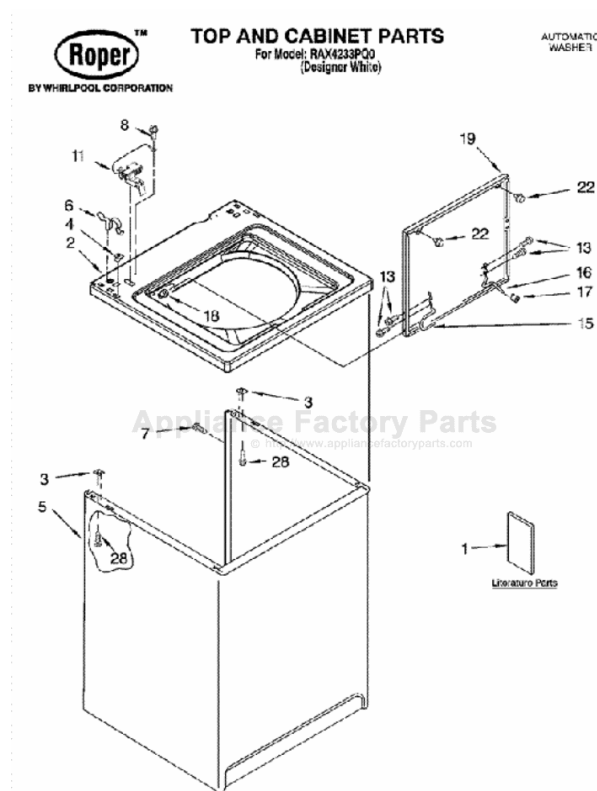


This Owner's Manual is provided and hosted by Appliance Factory Parts.



ROPER RAX4233PQ0 Owner's Manual

[Shop genuine replacement parts for ROPER
RAX4233PQ0](#)



[Find Your ROPER Washer Parts - Select From 140 Models](#)

----- Manual continues below -----



BY WHIRLPOOL CORPORATION

WASHER USER INSTRUCTIONS INSTRUCTIONS D'UTILISATION DE LA LAVEUSE

Table of Contents / Table des matières

ASSISTANCE OR SERVICE.....	1	ASSISTANCE OU SERVICE.....	8
WASHER SAFETY.....	2	SÉCURITÉ DE LA LAVEUSE.....	8
WASHER USE.....	3	UTILISATION DE LA LAVEUSE.....	9
WASHER CARE.....	4	ENTRETIEN DE LA LAVEUSE.....	11
TROUBLESHOOTING.....	5	DÉPANNAGE.....	12
WARRANTY.....	7	GARANTIE.....	15

Assistance or Service

If you need assistance or service, first see the "Troubleshooting" section. Additional help is available by calling our Customer Interaction Center at **1-800-447-6737**, from anywhere in the U.S.A., or write:

**Roper Brand Home Appliances
Customer Interaction Center
553 Benson Road
Benton Harbor, MI 49022-2692**

In Canada, for installation and service call, **1-800-807-6777**. For assistance call **1-800-461-5681** Monday to Friday 8:00 a.m. - 6:00 p.m. (EST). Saturday 8:30 a.m. - 4:30 p.m. (EST), or write:

**Customer Interaction Center
Whirlpool Canada Inc.
1901 Minnesota Court
Mississauga, Ontario L5N 3A7**

Information may also be obtained by visiting our website at **www.roperappliances.com**.

In Canada, visit **www.roperappliances.ca**.

Please include a daytime phone number in your correspondence.

Keep this book and your sales slip together for future reference. You must provide proof of purchase or installation date for in-warranty service.

Write down the following information about your appliance to help you obtain assistance or service if you ever need it. You will need to know your complete model number and serial number. You can find this information on the model and serial number label, located under the washer lid.

Dealer name _____

Serial number _____

Address _____

Phone number _____

Model number _____

Purchase date _____

WASHER SAFETY

Your safety and the safety of others are very important.

We have provided many important safety messages in this manual and on your appliance. Always read and obey all safety messages.



This is the safety alert symbol.

This symbol alerts you to potential hazards that can kill or hurt you and others.

All safety messages will follow the safety alert symbol and either the word "DANGER" or "WARNING."

These words mean:

⚠ DANGER

You can be killed or seriously injured if you don't immediately follow instructions.

⚠ WARNING

You can be killed or seriously injured if you don't follow instructions.

All safety messages will tell you what the potential hazard is, tell you how to reduce the chance of injury, and tell you what can happen if the instructions are not followed.

IMPORTANT SAFETY INSTRUCTIONS

WARNING: To reduce the risk of fire, electric shock, or injury to persons when using the washer, follow basic precautions, including the following:

- Read all instructions before using the washer.
- Do not wash articles that have been previously cleaned in, washed in, soaked in, or spotted with gasoline, dry-cleaning solvents, other flammable, or explosive substances as they give off vapors that could ignite or explode.
- Do not add gasoline, dry-cleaning solvents, or other flammable, or explosive substances to the wash water. These substances give off vapors that could ignite or explode.
- Under certain conditions, hydrogen gas may be produced in a hot water system that has not been used for 2 weeks or more. **HYDROGEN GAS IS EXPLOSIVE.** If the hot water system has not been used for such a period, before using the washing machine, turn on all hot water faucets and let the water flow from each for several minutes. This will release any accumulated hydrogen gas. As the gas is flammable, do not smoke or use an open flame during this time.
- Do not allow children to play on or in the washer. Close supervision of children is necessary when the washer is used near children.
- Before the washer is removed from service or discarded, remove the door or lid.
- Do not reach into the washer if the drum, tub or agitator is moving.
- Do not install or store the washer where it will be exposed to the weather.
- Do not tamper with controls.
- Do not repair or replace any part of the washer or attempt any servicing unless specifically recommended in this manual or in published user-repair instructions that you understand and have the skills to carry out.
- See "Electrical Requirements" for grounding instructions.

SAVE THESE INSTRUCTIONS

WASHER USE

Loading

For these suggested full-sized loads, set the LOAD SIZE selector to the highest load size setting.

SUPER CAPACITY and SUPER CAPACITY PLUS WASHERS

Heavy Work Clothes

3 pair pants
3 shirts
4 pair jeans
1 coverall
1 overall

Mixed Load

3 double sheets
4 pillowcases
8 T-shirts
6 pair shorts
2 shirts
2 blouses
8 handkerchiefs

Towels

10 bath towels
10 hand towels
14 washcloths
1 bath mat

Delicates

3 camisoles
1 quilted robe
4 slips
4 panties
2 bras
2 nighties
1 baby's dress

EXTRA LARGE CAPACITY WASHERS

Heavy Work Clothes

2 pair pants
3 shirts
3 pair jeans
1 coverall

Mixed Load

2 double sheets or
1 king size sheet(s)
4 pillowcases
6 T-shirts
6 pair shorts
2 shirts
2 blouses
6 handkerchiefs

Towels

8 bath towels
8 hand towels
10 washcloths
1 bath mat

Delicates

3 camisoles
4 slips
4 panties
2 bras
2 nighties

Starting Your Washer

⚠ WARNING



Fire Hazard

Never place items in the washer that are dampened with gasoline or other flammable fluids.

No washer can completely remove oil.

Do not dry anything that has ever had any type of oil on it (including cooking oils).

Doing so can result in death, explosion, or fire.

1. Measure detergent and pour it into the washer. If desired, add powdered or liquid color safe bleach. Drop a sorted load of clothes loosely into your washer.
 - Load evenly to maintain washer balance. Mix large and small items. Items should move easily through the wash water. Overloading can cause poor cleaning.

2. (OPTIONAL) Add Liquid Chlorine Bleach.

NOTE: Follow the manufacturer's directions for safe use. Undiluted bleach will damage any fabric it touches. The damage appears as rips, holes, tears, or color loss and may not show up until several washings later. To avoid spilling, use a cup with a pouring spout. Do not let bleach splash, drip, or run down into the washer basket. Always measure liquid chlorine bleach. Do not guess. Never use more than the manufacturer's recommended amount for a full load. Use less with a smaller load size.

⚠ WARNING



Electrical Shock Hazard

Plug into a grounded 3 prong outlet.

Do not remove ground prong.

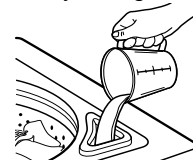
Do not use an adapter.

Do not use an extension cord.

Failure to follow these instructions can result in death, fire, or electrical shock.

Style 1: With Chlorine Bleach Dispenser (on some models)

- Use only liquid chlorine bleach in this dispenser. Pour measured liquid chlorine bleach into the liquid chlorine bleach dispenser. Bleach is immediately fed into washer and is diluted automatically during the wash part of the cycle.



Style 2: Without Chlorine Bleach Dispenser (on some models)

- Let the washer fill and begin agitating the load.
- Add bleach 5 minutes into the wash cycle for best cleaning and so that bleach can be removed in the rinse cycle. Pour bleach around the agitator, not directly onto the load.

3. (OPTIONAL) Add Liquid Fabric Softener.

NOTE: Do not spill or drip any fabric softener onto the clothes. Undiluted fabric softener can stain fabrics. Always dilute fabric softener with warm water. Too much fabric softener can make some items (diapers and towels) nonabsorbent. If this happens, do not use it every load, or use less of it in each load.

Style 1: With Liquid Fabric Softener Dispenser (on some models)

- Use only liquid fabric softener in this dispenser. Pour measured liquid fabric softener into the dispenser. Softener is added automatically during the rinse portion of the cycle. Dilute liquid fabric softener by filling the dispenser with warm water until liquid reaches the crossbar in the dispenser opening.



Style 2: Without Liquid Fabric Softener Dispenser (on some models)

- In the final rinse ONLY, add fabric softener that has been diluted with ½ to 1 cup (125 to 250 mL) warm water.
4. Close the washer lid. Washer will not agitate or spin with the lid open.
 5. Turn the LOAD SIZE or WATER LEVEL selector to the correct setting for your wash load and the type of fabric being washed. You may change the load size or water level selection after the washer has started filling by turning the selector to a different setting.

6. Set the TEMPERATURE selector to the correct setting for the type of fabric and soils being washed. Use the warmest water safe for fabric. Follow garment label instructions.

NOTE: In wash water temperatures colder than 70°F (21°C), detergents do not dissolve well. Soils can be difficult to remove. Some fabrics can retain wear wrinkles and have increased pilling (the formation of small lint-like balls on the surface of garments).

7. (OPTIONAL) EXTRA RINSE selector (on some models). For an additional rinse and spin at the end of a wash cycle, set the EXTRA RINSE selector to ON. On some models, the EXTRA RINSE feature is part of the cycle.
8. (OPTIONAL) Some models have an END OF CYCLE SIGNAL selector. Set this selector to ON if you want your washer to alert you when the wash cycle is complete.
9. Push in the Cycle Control knob and turn it clockwise to the wash cycle you want. Reduce the wash time when using a small load size setting. Pull out the Cycle Control knob to start the washer.



To stop or restart your washer:

- To stop the washer at any time, push in the Cycle Control knob.
- To restart the washer, close the lid (if open) and pull out the Cycle Control knob.

WASHER CARE

Cleaning Your Washer

Use a soft, damp cloth or sponge to wipe up any spills such as detergent or bleach from the outside of your washer.

Clean your washer interior by mixing 1 cup (250 mL) of chlorine bleach and 2 cups (500 mL) of detergent. Pour this mixture into your washer and run it through a complete cycle using hot water. Repeat this process if necessary.

Remove any hard water deposits using only cleaners labeled as washer safe.

Cleaning the liquid fabric softener dispenser (on some models):

1. Remove dispenser by grasping top with both hands and squeezing, while pushing upward with thumbs.
2. Rinse dispenser under a warm water, then replace it.

NOTE: If your model has a liquid fabric softener dispenser, do not wash clothes with this dispenser removed. Do not add detergent or bleach to this dispenser; it is for liquid fabric softener only.

Water Inlet Hoses

Replace inlet hoses after 5 years of use to reduce the risk of hose failure. Periodically inspect and replace inlet hoses if bulges, kinks, cuts, wear or leaks are found.

When replacing your inlet hoses, mark the date of replacement on the label with a permanent marker.

Moving & Storage

Because some water may stay in the hoses, freezing can damage your washer. If storing or moving your washer during freezing weather, winterize it.

Winterizing your washer

1. Shut off both water faucets. Disconnect and drain water inlet hoses. Pour 1 qt (1 L) of R.V.-type antifreeze in the basket.
2. Run washer on a drain and spin setting for about 30 seconds to mix the antifreeze and water.
3. Unplug washer or disconnect power.

To use washer again

1. Flush water pipes and hoses. Reconnect water inlet hoses. Turn on both water faucets.
2. Plug in washer or reconnect power.
3. Run the washer through a complete cycle with 1 cup (250 mL) of detergent to clean out antifreeze.

Storage, non-use or vacation care

Operate your washer only when you are at home. If you will be on vacation or not using your washer for an extended period of time, you should:

1. Unplug washer or disconnect power.
2. Turn off the water supply to the washer. This helps avoid accidental flooding (due to a water pressure surge) while you are away.

TROUBLESHOOTING

First try the solutions suggested here and possibly avoid the cost of a service call...

Washer and Components

Noisy

- **Is the load balanced and the washer level?** The wash load should be balanced and not overloaded. The washer must be level. The front feet should be properly installed and the nuts tightened. Reset the rear leveling legs (if needed). See the Installation Instructions.
- **Did you completely remove the yellow shipping strap with cotter pins?** See the Installation Instructions.
- **Are the gears engaging after the drain and before spin, or is the upper part of agitator clicking during wash?** These are normal washer noises.

Leaking

- **Check the following:**
 - Are the fill hoses tight?
 - Are the fill hose washers properly seated?
 - Is the drain hose clamp properly installed? See the Installation Instructions.
- **Is the sink or drain clogged?** Sink and standpipe must be able to handle 17 gal. (64 L) of water per minute.
- **Is water deflecting off the tub ring or the load?** Center the tub before starting the washer. The wash load should be balanced and not overloaded. The fill or spray rinses can deflect off the load. The washer must be level. The front feet should be properly installed and the nuts tightened. Reset the rear leveling legs (if needed). See the Installation Instructions.
- **Check household plumbing for leaks.**

Basket crooked

- **Was the washer basket pulled forward during loading?** Push the basket to the center before starting wash.
- **Is the load balanced and the washer level?** The wash load should be balanced and not overloaded. The washer must be level. The front feet should be properly installed and the nuts tightened. Reset the rear leveling legs (if needed). See the Installation Instructions.
- **The washer basket moves while washing.** This is normal.

Agitator operation

- **The top of the agitator is loose, or moves in only one direction.** This is normal.

Dispensers clogged or bleach leaking

- **Did you follow the manufacturer's directions when adding detergent and fabric softener to the dispensers (on some models)?** Measure detergent and fabric softener. Carefully pour into the dispensers. Wipe up all spills. Dilute fabric softener in the fabric softener dispenser.
- **Did you put powdered or color-safe bleach in the liquid chlorine bleach dispenser (on some models)?** Add powdered or liquid color-safe bleach directly to the basket. Do not use the chlorine bleach dispenser for color-safe bleach.

Washer Operation

Washer stops, won't fill, rinse or agitate

- **Check the following:**
 - Is the power cord plugged into a grounded 3 prong outlet?
 - Is the indicator on the Cycle Control knob properly lined up with a cycle? Turn the Cycle Control knob to the right slightly and pull to start.
 - Are the water inlet valve screens clogged?
 - Are both the hot and cold water faucets turned on?
 - Is the water inlet hose kinked?
- **Does the water level seem too low, or does the washer appear to not fill completely?** The top of the agitator is much higher than the highest water level. This is normal and necessary for clothes to move freely.
- **Has a fuse blown or is the circuit breaker open?** If problem continues, call an electrician.
- **Are you using an extension cord?** Do not use an extension cord.
- **Is the washer in a normal pause in the cycle?** The washer pauses for about 2 minutes during certain cycles. Allow the cycle to continue. Some cycles feature periods of agitation and soak.
- **Is the washer overloaded?** Wash smaller loads.
- **Is the lid open?** The lid must be closed during operation. Washer will not agitate or spin with the lid open.

Washer won't drain or spin

- **Is the drain hose clogged, or the end of the drain hose more than 96 in. (244 cm) above the floor?** See the Installation Instructions for proper installation of drain hose.
- **Is the lid open?** The lid must be closed during operation. Washer will not agitate or spin with the lid open.
- **Is there excessive sudsing?** Always measure detergent. Follow manufacturer's directions.

Washer continues to fill or drain, cycle seems stuck

- **Is the top of drain hose lower than the water level in washer?** The top of the hose must be higher than the water level in the washer for proper operation. See the Installation Instructions.
- **Does the drain hose fit too tightly in the standpipe, or is it taped to the standpipe?** The drain hose should be loose yet fit securely. Do not seal the drain hose with tape. The hose needs an air gap. See the Installation Instructions.

Wash/Rinse temperature not what I selected

- **Are the hot and cold water inlet hoses reversed?** See the Installation Instructions for more information. As your frequency of loads washed increases, the water temperature may decrease for hot and warm temperatures. This is normal.
- **Did you select a Warm/Warm temperature setting?** On models with Warm/Warm temperature selection, the warm wash will be followed by an energy saving cold rinse followed by warm spray rinses. This saves energy while providing the same rinse performance.

Washer Results

Load too wet

- **Did you use the right cycle for the load being washed?** Select a cycle with a higher spin speed (if available).
- **Did you use a cold rinse?** Cold rinses leave loads wetter than warm rinses. This is normal.

Residue or lint on load

- **Did you sort properly?** Sort lint givers (towels, chenille) from lint takers (corduroy, synthetics). Also sort by color.
- **Did you overload the washer?** The wash load must be balanced and not overloaded. Clothes should move freely. Lint can be trapped in the load if overloaded. Wash smaller loads.
- **Did you select the correct water level?** The water level should be correct for the load size. Clothes should move freely in the water.
- **Did you use enough detergent?** Follow manufacturer's directions. Use enough detergent to hold the lint in the water.
- **Did you line dry your clothing?** If so, you can expect some lint on the clothing.
- **Check the following:**
 - Was paper or tissue left in the pockets?
 - Is your water colder than 70°F (21°C)? Wash water colder than 70°F (21°C) may not completely dissolve the detergent.
 - Did you use the proper cycle time for the load? Reducing wash time (duration) is another way to reduce lint.

Stains on load

- **Did you follow the manufacturer's directions when adding detergent and fabric softener?** Measure detergent and fabric softener. Use enough detergent to remove soil and hold it in suspension. Dilute fabric softener and add to the rinse portion of a cycle only. Do not drip fabric softener on clothes.
- **Is there above average iron (rust) in water?** You may need to install an iron filter.
- **Did you properly sort the load?** Sort dark clothes from whites and lights.
- **Did you unload the washer promptly?** To avoid dye transfer, unload the washer as soon as it stops.

Load is wrinkled

- **Did you unload the washer promptly?** Unload the washer as soon as it stops.
- **Did you use the right cycle for the load being washed?** Use the cycle for Casual or Permanent Press clothes or another cycle with low spin speeds (if available) to reduce wrinkling.
- **Did you overload the washer?** The wash load must be balanced and not overloaded. Loads should move freely during washing.
 - To reduce wrinkling of permanent press clothes and some synthetic knits, use a large load size to provide more space.
- **Was the wash water warm enough to relax wrinkles, or are you using warm rinses?** If safe for the load, use warm or hot wash water. Use cold rinse water.
- **Are the hot and cold water hoses reversed?** Check to be sure the hot and cold water hoses are connected to the right faucets. See the Installation Instructions.

Load is tangled or twisted

- **Did you overload the washer?** The wash load must be balanced and not overloaded. Loads should move freely during washing.
- **Did you wrap items around the agitator?** Drop items loosely into the washer. Do not wrap items around the agitator.

Gray whites, dingy colors

- **Did you properly sort the load?** Dye transfer can occur when mixing whites and colors in a load. Sort dark clothes from whites and lights.
- **Was the wash temperature too low?** Use hot or warm washes if safe for the load. Make sure your hot water system is adequate to provide a hot water wash.
- **Did you use enough detergent, or do you have hard water?** Use more detergent for washing heavy soils in cold or hard water.
- **Are the hot and cold water hoses reversed?** Check to be sure the hot and cold water hoses are connected to the right faucets. See the Installation Instructions.

Garments damaged

- **Check the following:**
 - Were sharp items removed from pockets before washing? Empty pockets, zip zippers, snap or hook fasteners before washing.
 - Were strings and sashes tied to prevent tangling?
 - Were items damaged before washing? Mend rips and broken threads in seams before washing.
- **Did you overload the washer?** The wash load must be balanced and not overloaded. Loads should move freely during washing.
- **Did you add chlorine bleach properly?** Do not pour chlorine bleach directly onto load. Wipe up bleach spills. Undiluted bleach will damage fabrics. Do not place load items on top of the bleach dispenser when loading and unloading the washer (on some models).
- **Did you follow the manufacturer's care label instructions?**

ROPER® WASHER WARRANTY

ONE-YEAR FULL WARRANTY

For one year from the date of purchase, when this washer is operated and maintained according to instructions attached to or furnished with the product, Whirlpool Corporation will pay for FSP® replacement parts and repair labor to correct defects in materials or workmanship. Service must be provided by a Whirlpool designated service company.

SECOND THROUGH FIFTH YEAR LIMITED WARRANTY ON GEARCASE ASSEMBLY

In the second through fifth years from the date of purchase, when this washer is operated and maintained according to instructions attached to or furnished with the product, Whirlpool Corporation will pay for FSP® replacement parts for any part of the gearcase assembly, if defective in materials or workmanship.

Whirlpool Corporation will not pay for:

1. Service calls to correct the installation of your washer, to instruct you how to use your washer, or to replace house fuses or correct house wiring or plumbing.
 2. Repairs when your washer is used in other than normal, single-family household use.
 3. Damage resulting from accident, alteration, misuse, abuse, fire, flood, acts of God, improper installation, installation not in accordance with local electrical and plumbing codes, or use of products not approved by Whirlpool Corporation and Whirlpool Canada Inc.
 4. Any labor costs during the limited warranty period.
 5. Replacement parts or repair labor costs for units operated outside the United States and Canada.
 6. Pickup and delivery. This product is designed to be repaired in the home.
 7. Repairs to parts or systems resulting from unauthorized modifications made to the appliance.
 8. In Canada, travel or transportation expenses for customers who reside in remote areas.
-

WHIRLPOOL CORPORATION AND WHIRLPOOL CANADA INC. SHALL NOT BE LIABLE FOR INCIDENTAL OR CONSEQUENTIAL DAMAGES.

Some states and provinces do not allow the exclusion or limitation of incidental or consequential damages, so this exclusion or limitation may not apply to you. This warranty gives you specific legal rights and you may also have other rights which vary from state to state or province to province.

Outside the 50 United States and Canada, this warranty does not apply. Contact your authorized Roper dealer to determine if another warranty applies.

3/00

Replacement parts

If you need to order replacement parts, we recommend that you use only FSP® factory specified parts. These parts will fit right and work right because they are made with the same precision used to build every new ROPER® appliance.

To locate FSP® replacement parts in your area:

Call the Customer Interaction Center at **1-800-447-6737**, or your nearest designated service center. In Canada call **1-800-807-6777**.

For information on how to contact Whirlpool Corporation, please see front page of this document.

Gearcase assembly covered by your warranty



INSTRUCTIONS D'UTILISATION DE LA LAVEUSE

Assistance ou service

Si vous avez besoin d'assistance ou de service, consulter d'abord la section "Dépannage". On peut obtenir de l'aide supplémentaire en téléphonant au Centre d'interaction avec la clientèle au **1-800-447-6737** de n'importe où aux É.-U., ou en écrivant à :

**Roper Brand Home Appliances
Customer Interaction Center
553 Benson Road
Benton Harbor, MI 49022-2692**

Au Canada, pour installation et service, composez le **1-800-807-6777**. Pour assistance composez le **1-800-461-5681** du lundi au vendredi - de 8 h 00 à 18 h 00 (HNE). Samedi - de 8 h 30 à 16 h 30 (HNE), ou écrire à :

**Centre d'interaction avec la clientèle
Whirlpool Canada Inc.
1901 Minnesota Court
Mississauga, Ontario L5N 3A7**

Des informations peuvent également être obtenues en visitant notre site web sur **www.roperappliances.com**.

Au Canada, visitez **www.roperappliances.ca**.

Dans votre correspondance, veuillez indiquer un numéro de téléphone où l'on peut vous joindre dans la journée.

Conservez ce manuel et votre reçu de vente ensemble pour référence ultérieure. Pour le service sous garantie, vous devez présenter un document prouvant la date d'achat ou d'installation.

Inscrivez les renseignements suivants au sujet de votre appareil ménager pour vous aider à obtenir assistance ou service en cas de besoin. Vous devrez connaître le numéro de modèle et le numéro de série au complet. Vous pouvez trouver cette information sur la plaque signalétique située sous le couvercle de la laveuse.

Nom du marchand _____

Numéro de série _____

Adresse _____

Numéro de téléphone _____

Numéro de modèle _____

Date d'achat _____

SÉCURITÉ DE LA LAVEUSE

Votre sécurité et celle des autres est très importante.

Nous donnons de nombreux messages de sécurité importants dans ce manuel et sur votre appareil ménager. Assurez-vous de toujours lire tous les messages de sécurité et de vous y conformer.



Voici le symbole d'alerte de sécurité.

Ce symbole d'alerte de sécurité vous signale les dangers potentiels de décès et de blessures graves à vous et à d'autres.

Tous les messages de sécurité suivront le symbole d'alerte de sécurité et le mot "DANGER" ou "AVERTISSEMENT". Ces mots signifient :

⚠ DANGER

Risque possible de décès ou de blessure grave si vous ne suivez pas immédiatement les instructions.

⚠ AVERTISSEMENT

Risque possible de décès ou de blessure grave si vous ne suivez pas les instructions.

Tous les messages de sécurité vous diront quel est le danger potentiel et vous disent comment réduire le risque de blessure et ce qui peut se produire en cas de non-respect des instructions.

IMPORTANTES INSTRUCTIONS DE SÉCURITÉ

AVERTISSEMENT : Pour réduire les risques d'incendie, de choc électrique ou de blessures lors de l'utilisation de la laveuse, suivre les précautions fondamentales dont les suivantes :

- Lire toutes les instructions avant d'utiliser la laveuse.
- Ne pas laver des articles qui ont été nettoyés ou lavés avec de l'essence ou imbibés d'essence, solvants de nettoyage à sec, ou autres substances inflammables ou explosives; ces substances peuvent émettre des vapeurs susceptibles de s'enflammer ou d'exploser.
- Ne pas ajouter d'essence, solvant de nettoyage à sec ou autre produit inflammable ou explosif dans l'eau de lavage. Ces substances peuvent émettre des vapeurs susceptible de s'enflammer ou d'exploser.
- Dans certaines conditions, de l'hydrogène gazeux peut se former dans un circuit d'eau chaude qui n'a pas été utilisé pendant 2 semaines ou plus. LE GAZ HYDROGÈNE EST EXPLOSIBLE. Si le circuit d'eau chaude n'a pas été utilisé pendant une telle période, avant d'utiliser la laveuse, ouvrir tous les robinets d'eau chaude et laisser l'eau s'écouler pendant plusieurs minutes par chaque robinet. Ceci permettra l'évacuation de l'hydrogène gazeux accumulé. Comme ce gaz est inflammable, ne pas fumer ou utiliser une flamme nue au cours de cette période.
- Ne pas laisser des enfants jouer sur ou à l'intérieur de la laveuse. Bien surveiller les enfants lorsque la laveuse est utilisée à proximité d'enfants.
- Avant de mettre la laveuse au rebut ou hors de service, enlever la porte ou le couvercle.
- Ne pas tenter d'atteindre un article à l'intérieur de la cuve de la laveuse lorsque le tambour, la cuve ou l'agitateur est en mouvement.
- Ne pas installer ou remiser cette laveuse à un endroit où elle serait exposée aux intempéries.
- Ne pas modifier les organes de commande.
- Ne pas réparer ou remplacer un composant quelconque de la laveuse, ni entreprendre une opération de service, si ce n'est spécifiquement recommandé dans ce manuel ou dans un manuel d'instructions de réparations destiné à l'utilisateur; il est alors essentiel que la personne concernée comprenne ces instructions et soit compétente pour les exécuter.
- Voir "Installation électrique" pour les instructions de liaison à la terre.

CONSERVEZ CES INSTRUCTIONS

UTILISATION DE LA LAVEUSE

Chargement

Pour ces exemples de charges complètes de la laveuse, régler le sélecteur de charge (Load Size) au plus haut réglage de charge.

LAVEUSES DE SUPER CAPACITÉ ET SUPER CAPACITÉ PLUS

Vêtements de travail lourds	Charge mixte	Serviettes	Articles délicats
3 pantalons	3 draps doubles	10 serviettes de bain	3 camisoles
3 chemises	4 taies d'oreiller	10 serviettes à main	1 robe de chambre piquée
4 jeans	8 tee-shirts	14 débarbouillettes	4 jupons
1 combinaison de travail	6 shorts	1 tapis de bain	4 culottes
1 salopette	2 chemises		2 soutiens-gorge
	2 chemisiers		2 chemises de nuit
	8 mouchoirs		1 robe de bébé

LAVEUSES DE TRÈS GRANDE CAPACITÉ

Vêtements de travail lourds	Charge mixte	Serviettes	Articles délicats
2 pantalons	2 draps doubles ou	8 serviettes de bain	3 camisoles
3 chemises	1 drap pour très grand lit	8 serviettes à main	4 jupons
3 jeans	4 taies d'oreiller	10 débarbouillettes	4 culottes
1 combinaison de travail	6 tee-shirts	1 tapis de bain	2 soutiens-gorge
	6 shorts		2 chemises de nuit
	2 chemises		
	2 chemisiers		
	6 mouchoirs		

Mise en marche de la laveuse

⚠ AVERTISSEMENT



Risque d'incendie

Ne jamais mettre des articles humectés d'essence ou d'autres fluides inflammables dans la laveuse.

Aucune laveuse ne peut complètement enlever l'huile.

Ne pas faire sécher des articles qui ont été salis par tout genre d'huile (y compris les huiles de cuisson).

Le non-respect de ces instructions peut causer un décès, une explosion ou un incendie.

⚠ AVERTISSEMENT



Risque de choc électrique

Brancher sur une prise à 3 alvéoles reliée à la terre.

Ne pas enlever la broche de liaison à la terre.

Ne pas utiliser un adaptateur.

Ne pas utiliser un câble de rallonge.

Le non-respect de ces instructions peut causer un décès, un incendie ou un choc électrique.

1. Mesurer le détergent et le verser dans la laveuse. Si désiré, ajouter de la Javel sans danger pour les couleurs, en poudre ou liquide. Mettre une charge de vêtements triés dans la laveuse sans la tasser.
 - Charger uniformément pour maintenir l'équilibre de la laveuse. Mélanger les gros et les petits articles. Les articles doivent pouvoir se déplacer facilement dans l'eau de lavage. Une surcharge peut causer un piètre nettoyage.

2. (FACULTATIF) Ajouter l'eau de Javel.

REMARQUE : Suivre les instructions du fabricant pour une utilisation en toute sécurité. L'eau de Javel non diluée endommagera tout tissu avec lequel elle entre en contact. L'endommagement prend la forme de déchirures, trous ou affadissement de la couleur et il est possible qu'il n'apparaisse pas avant plusieurs autres lavages. Pour éviter les renversements, utiliser une tasse avec un bec verseur. Ne pas laisser l'eau de Javel éclabousser, se renverser ou couler dans le panier de la laveuse. Toujours mesurer l'eau de Javel. Ne pas utiliser une quantité approximative. Ne jamais utiliser plus que la quantité recommandée par le fabricant pour une charge complète. Utiliser moins avec une plus petite charge.

Style 1 : Distributeur d'eau de Javel (sur certains modèles)

- Utiliser seulement de l'eau de Javel dans ce distributeur. Verser la quantité mesurée d'eau de Javel dans le distributeur d'eau de Javel. L'eau de Javel est immédiatement introduite dans la laveuse et elle est diluée automatiquement durant l'opération de lavage du programme.



Style 2 : Absence de distributeur d'eau de Javel (sur certains modèles)

- Laisser la laveuse se remplir et commencer l'agitation de la charge.
- Ajouter l'eau de Javel 5 minutes après le début du programme de lavage pour un meilleur nettoyage et de telle sorte qu'elle soit vidangée lors du programme de rinçage. Verser l'eau de Javel autour de l'agitateur, pas directement sur la charge.

3. (FACULTATIF) Ajouter l'assouplissant liquide pour tissu.

REMARQUE : Ne pas renverser ou dégoutter d'assouplissant de tissu sur les vêtements. Un assouplissant de tissu non dilué peut causer des taches sur les tissus. Toujours diluer l'assouplissant de tissu avec de l'eau tiède. Une trop grande quantité d'assouplissant de tissu peut rendre certains articles (couches et serviettes) non absorbants. Le cas échéant, ne pas l'utiliser à chaque charge ou en utiliser moins avec chaque charge.

Style 1 : Distributeur d'assouplissant liquide pour tissu (sur certains modèles)

- Utiliser seulement de l'assouplissant de tissu liquide dans ce distributeur. Verser une quantité mesurée de l'assouplissant de tissu liquide dans le distributeur. L'assouplissant est ajouté automatiquement durant l'opération de rinçage du programme. Diluer l'assouplissant de tissu liquide en remplissant le distributeur d'eau tiède jusqu'à ce que le liquide atteigne le croisillon dans l'ouverture du distributeur.



Style 2 : Absence de distributeur d'assouplissant de tissu liquide (sur certains modèles)

- Ajouter l'assouplissant de tissu dilué avec ½ à 1 tasse (125 à 250 mL) d'eau tiède au rinçage final SEULEMENT.

4. Rabattre le couvercle de la laveuse. La laveuse n'effectuera pas d'agitation ni d'essorage avec le couvercle ouvert.
5. Tourner le sélecteur LOAD SIZE (volume de la charge) ou WATER LEVEL (niveau d'eau) au bon réglage pour votre charge de lavage et le type de tissu à laver. Vous pouvez changer votre sélection de la taille de charge ou du niveau d'eau après que la laveuse a commencé à se remplir en tournant le bouton de sélection à un réglage différent.
6. Régler le sélecteur de TEMPÉRATURE au réglage approprié pour le type de tissu et le niveau de saleté de la charge. Utiliser l'eau la plus chaude sans danger pour le tissu. Suivre les instructions sur l'étiquette des vêtements.
REMARQUE : Dans les températures d'eau de lavage plus froides que 70°F (21°C), les détergents ne se diluent pas bien. Les saletés peuvent être difficiles à enlever. Certains tissus peuvent retenir les faux plis et comporter un boulochage accru (formation de petites boules de charpie sur la surface des vêtements).
7. (FACULTATIF) sélecteur EXTRA RINSE (rinçage supplémentaire) (sur certains modèles). Pour un rinçage et un essorage supplémentaires à la fin du programme de lavage, régler le sélecteur EXTRA RINSE (rinçage supplémentaire) sur

ON (marche). Sur certains modèles, la caractéristique EXTRA RINSE (rinçage supplémentaire) fait partie du programme.

8. (FACULTATIF) Certains modèles disposent d'un sélecteur END OF CYCLE SIGNAL (signal de fin de programme). Régler ce sélecteur à ON si on désire que la laveuse signale la fin du programme de lavage.
9. Appuyer sur le bouton de commande de programme et le tourner dans le sens horaire au programme que vous désirez. Réduire le temps de lavage lors de l'utilisation d'un réglage pour petite charge. Retirer le bouton de commande de programme pour mettre la laveuse en marche.



Arrêt et remise en marche de la laveuse :

- Pour arrêter la laveuse à tout moment, appuyer sur le bouton de commande de programme.
- Pour remettre la laveuse en marche, rabattre le couvercle (si ouvert) et retirer le bouton de commande de programme.

ENTRETIEN DE LA LAVEUSE

Nettoyage de votre laveuse

Utiliser un linge doux, humide ou une éponge pour essuyer les renversements de détergents ou d'eau de Javel à l'extérieur de votre laveuse.

Nettoyer l'intérieur de votre laveuse en mélangeant 1 tasse (250 mL) d'eau de Javel et 2 tasses (500 mL) de détergent. Verser ceci dans votre laveuse et lui faire faire un programme complet à l'eau chaude. Répéter ce processus au besoin.

Enlever tous les résidus d'eau dure en utilisant seulement des nettoyants sans danger pour la laveuse.

Nettoyage du distributeur d'assouplissant de tissu liquide (sur certains modèles) :

1. Retirer le distributeur en prenant le dessus à deux mains et en le pressant, tout en poussant vers le haut avec les pouces.
2. Rincer le distributeur sous l'eau tiède, puis le remettre en place.

REMARQUE : Si votre modèle dispose d'un distributeur d'assouplissant liquide pour tissu, ne pas laver de vêtements lorsque ce distributeur est retiré. Ne pas ajouter de détergent ou d'eau de Javel dans ce distributeur; il est destiné à l'assouplissant liquide pour tissu seulement.

Robinets d'arrivée d'eau

Remplacer les tuyaux d'arrivée d'eau après 5 ans d'utilisation pour réduire le risque de défaillance intempestive. Inspecter périodiquement les tuyaux; les remplacer en cas de renflement, de déformation, de coupure et d'usure ou si une fuite se manifeste.

Lorsque vous remplacez vos tuyaux d'arrivée d'eau, noter la date de remplacement au marqueur indélébile sur l'étiquette.

Préparation avant un entreposage ou un déménagement

L'eau qui peut rester dans les tuyaux risque d'abîmer votre laveuse en temps de gel. Si vous rangez ou déplacez votre laveuse quand il gèle, hivérisez-la.

Hivérisation de votre laveuse

1. Fermer les deux robinets d'eau. Débrancher et vidanger les tuyaux d'arrivée d'eau. Mettre 1 quart (1 L) d'antigel de type R.V. dans le panier.
2. Faire tourner la laveuse au réglage vidange et essorage pendant 30 secondes environ pour mélanger l'antigel à l'eau.
3. Débrancher la laveuse ou déconnecter la source de courant électrique.

Remise en marche de la laveuse

1. Vidanger les canalisations d'eau et les tuyaux. Reconnecter les tuyaux d'arrivée d'eau. Ouvrir les deux robinets d'eau.
2. Brancher la laveuse ou reconnecter la source de courant électrique.
3. Faire faire un programme complet à la laveuse avec 1 tasse (250 mL) de détergent pour enlever les restes d'antigel.

Entretien en cas d'entreposage, de non-utilisation ou en période de vacances

On ne doit faire fonctionner la laveuse que lorsqu'on est présent. Si l'utilisateur doit partir en vacances ou n'utilise pas la laveuse pendant une période prolongée, il convient d'exécuter les opérations suivantes :

1. Débrancher la laveuse ou déconnecter la source de courant électrique.
2. Fermer l'alimentation d'eau de la laveuse. Ceci aide à éviter les inondations accidentelles (dus à une augmentation de la pression) quand vous êtes absent.

DÉPANNAGE

Essayer d'abord les solutions suggérées ici, ce qui vous évitera peut-être le coût d'une visite de service...

La laveuse et ses composants

La laveuse fait du bruit

- **La charge est-elle équilibrée et la laveuse d'aplomb?** La charge de lavage devrait être équilibrée et pas surchargée. La laveuse doit être d'aplomb. Les pieds de nivellement avant devraient être correctement installés et les écrous serrés. Régler les pieds de nivellement arrière (au besoin). Voir les instructions d'installation.
- **Avez-vous retiré la sangle jaune d'expédition avec les goupilles fendues?** Voir les instructions d'installation.
- **Les mécanismes s'enclenchent-ils après la vidange et avant l'essorage, ou la partie supérieure de l'agitateur fait-elle du bruit pendant le lavage?** Ce sont des bruits normaux pour la laveuse.

Fuites d'eau de la laveuse

- **Vérifier ce qui suit :**
 - Les tuyaux de remplissage sont-ils serrés?
 - Les rondelles de tuyaux de remplissage d'eau sont-elles correctement installées?
 - La bride de fixation du tuyau de vidange est-elle correctement installée? Voir les instructions d'installation.
- **L'évier ou le conduit d'évacuation est-il obstrué?** L'évier et le tuyau de rejet à l'égout doivent pouvoir drainer 17 gal. (64 L) d'eau par minute.
- **De l'eau est-elle déviée de l'anneau de la cuve ou de la charge?** Centrer la cuve avant de mettre la laveuse en marche. La charge de lavage devrait être équilibrée et pas surchargée. De l'eau de rinçage ou de remplissage peut dévier de la charge. La laveuse doit être d'aplomb. Les pieds de nivellement avant devraient être correctement installés et les écrous serrés. Régler les pieds de nivellement arrière (au besoin). Voir les instructions d'installation.
- **Vérifier la plomberie du domicile pour voir s'il y a des fuites.**

Le panier de la laveuse est décentré

- **Le panier de la laveuse a-t-il été tiré en avant lors du chargement?** Pousser le panier au centre avant de commencer le lavage.
- **La charge est-elle équilibrée et la laveuse d'aplomb?** La charge de lavage devrait être équilibrée et pas surchargée. La laveuse doit être d'aplomb. Les pieds de nivellement avant devraient être correctement installés et les écrous serrés. Régler les pieds de nivellement arrière (au besoin). Voir les instructions d'installation.
- **Le panier de la laveuse se déplace pendant le lavage.** Ceci est normal.

Fonctionnement de l'agitateur

- **Le sommet de l'agitateur est lâche, ou se déplace dans une seule direction.** Ceci est normal.

Distributeurs obstrués ou fuite d'eau de Javel

- **Avez-vous suivi les directives du fabricant pour l'addition de détergent et d'assouplissant dans les distributeurs (sur certains modèles)?** Mesurer le détergent et l'assouplissant. Verser avec précautions dans les distributeurs. Essuyer tout renversement. Diluer l'assouplissant dans le distributeur d'assouplissant.
- **Avez-vous mis de la Javel en poudre ou sans danger pour les couleurs dans le distributeur d'agent de blanchiment au chlore liquide (sur certains modèles)?** Ajouter de la Javel en poudre ou liquide sans danger pour les couleurs directement dans le panier. Ne pas utiliser le distributeur d'agent de blanchiment au chlore pour la Javel sans danger pour les couleurs.

Fonctionnement de la laveuse

La laveuse s'arrête, ne se remplit pas, ne rince pas et l'agitateur ne tourne pas

- **Vérifier ce qui suit :**
 - Le cordon d'alimentation est-il connecté dans une prise à 3 alvéoles reliée à la terre?
 - L'indicateur sur le bouton de commande de programme est-il correctement aligné avec un programme? Tourner le bouton de commande de programme légèrement vers la droite et le tirer pour mettre en marche.
 - Les filtres des valves des tuyaux d'arrivée d'eau sont-ils obstrués?
 - Les deux robinets d'eau (chaude et froide) sont-ils ouverts?
 - Le tuyau d'arrivée d'eau est-il déformé?
- **Le niveau d'eau semble-t-il trop bas, ou la laveuse ne se remplit-elle pas complètement?** Le sommet de l'agitateur est beaucoup plus haut que le niveau d'eau le plus élevé. Ceci est normal et nécessaire pour un mouvement correct des vêtements.
- **Un fusible est-il grillé ou un disjoncteur s'est-il ouvert?** Si le problème persiste, appeler un électricien.
- **Utilisez-vous un cordon de rallonge?** Ne pas utiliser de cordon de rallonge.
- **La laveuse est-elle en pause normale du programme?** La laveuse fait une pause d'environ 2 minutes dans certains programmes. Laisser le programme se poursuivre. Certains programmes comprennent des périodes d'agitation et de trempage.
- **La laveuse est-elle surchargée?** Laver des charges plus petites.
- **Le couvercle est-il ouvert?** Le couvercle doit être fermé lorsque la laveuse est en marche. La laveuse n'effectuera pas d'agitation ni d'essorage avec le couvercle ouvert.

Absence de vidange ou d'essorage de la laveuse

- **Le tuyau de vidange est-il obstrué, ou l'extrémité du tuyau de vidange se trouve-t-elle à plus de 96 po (244 cm) au-dessus du plancher?** Voir les Instructions d'installation pour une installation correcte du tuyau de vidange.
- **Le couvercle est-il ouvert?** Le couvercle doit être fermé lorsque la laveuse est en marche. La laveuse n'effectuera pas d'agitation ni d'essorage avec le couvercle ouvert.
- **Y a-t-il un excès de mousse?** Toujours mesurer le détergent. Suivre les directives du fabricant.

La laveuse continue de se remplir ou la vidange se poursuit, le programme semble bloqué

- **Le dessus du tuyau de vidange est-il plus bas que le niveau de l'eau dans la laveuse?** Le dessus du tuyau doit être plus haut que le niveau de l'eau dans la laveuse pour un bon fonctionnement. Voir les instructions d'installation.
- **Le tuyau de vidange est-il trop serré dans le tuyau de rejet à l'égout, ou est-il fixé au tuyau de rejet à l'égout avec du ruban adhésif?** Le tuyau de vidange devrait être lâche mais bien fixé. Ne pas sceller le tuyau de vidange avec du ruban adhésif. Le tuyau a besoin d'une ouverture pour l'air. Voir les instructions d'installation.

La température de lavage/rinçage n'est pas celle qui a été sélectionnée

- **Les robinets d'arrivée d'eau chaude et froide ont-ils été inversés?** Voir les instructions d'installation pour plus de renseignements. Lorsque votre fréquence de charges lavées augmente, la température de l'eau peut baisser lorsqu'on choisit une température chaude ou tiède. Ceci est normal.
- **A-t-on sélectionné un réglage de température Tiède/tiède (Warm/Warm)?** Sur les modèles avec une sélection de température Tiède/tiède, le lavage tiède sera suivi d'un rinçage froid à économie d'énergie puis de vaporisations tièdes de rinçage. Ceci économise de l'énergie tout en fournissant la même performance de rinçage.

Résultats de lavage

Charge trop mouillée

- **Avez-vous utilisé le bon programme pour la charge à laver?** Choisir un programme avec une vitesse d'essorage plus élevée (si disponible).
- **Avez-vous utilisé un rinçage à froid?** Les charges sont plus humides après un rinçage à froid qu'après un rinçage à chaud. Ceci est normal.

Résidus ou charpie sur le linge

- **Avez-vous effectué le tri correctement?** Séparer les articles causant la charpie (serviettes, chenille) des articles qui retiennent la charpie (velours côtelé, synthétiques). Trier également en fonction des couleurs.
- **Avez-vous surchargé la laveuse?** La charge de lavage doit être équilibrée et pas surchargée. Les charges doivent pouvoir culbuter librement. De la charpie peut être coincée dans la charge s'il y a surcharge. Laver des charges plus petites.
- **Avez-vous sélectionné le bon niveau d'eau?** Le niveau d'eau devrait être approprié à la taille de la charge. Les vêtements devraient pouvoir culbuter librement dans l'eau.
- **Avez-vous utilisé suffisamment de détergent?** Suivre les directives du fabricant. Utiliser suffisamment de détergent pour maintenir la saleté en suspension dans l'eau.
- **Avez-vous fait sécher vos vêtements sur un fil à linge?** Si c'est le cas, attendez-vous à trouver de la charpie sur les vêtements.
- **Vérifier ce qui suit :**
 - A-t-on laissé du papier ou des mouchoirs en papier dans les poches?
 - Votre eau est-elle plus froide que 70°F (21°C)? Une eau de lavage plus froide que 70°F (21°C) peut ne pas dissoudre complètement le détergent.
 - Avez-vous utilisé la bonne durée de programme pour la charge? La réduction de la durée de lavage est un autre moyen de réduire la charpie.

Présence de taches sur le linge

- **Avez-vous suivi les directives du fabricant pour l'addition de détergent et d'assouplissant?** Mesurer le détergent et l'assouplissant. Utiliser suffisamment de détergent pour enlever la saleté et la maintenir en suspension. Diluer l'assouplissant et l'ajouter à la section rinçage d'un programme seulement. Ne pas laisser couler d'assouplissant sur les vêtements.
- **La présence de fer (rouille) dans l'eau est-elle supérieure à la moyenne?** Vous aurez peut-être besoin d'installer un filtre à fer.
- **Avez-vous bien trié la charge?** Séparer les articles de teinte foncée des articles blancs ou clairs.
- **Avez-vous déchargé la laveuse immédiatement?** Pour éviter le transfert de teinture, décharger la laveuse dès qu'elle s'arrête.

Linge froissé

- **Avez-vous déchargé la laveuse immédiatement?**
Décharger la laveuse dès qu'elle s'arrête.
- **Avez-vous utilisé le bon programme pour la charge à laver?** Utiliser le programme tout-aller ou pressage permanent ou un autre programme avec une vitesse d'essorage basse (si disponible) pour réduire le froissement.
- **Avez-vous surchargé la laveuse?** La charge de lavage doit être équilibrée et pas surchargée. Les charges doivent pouvoir culbuter librement durant le lavage.

Pour réduire les faux plis des vêtements à pressage permanent et certains tricots synthétiques, utiliser une taille de charge importante pour avoir plus d'espace.
- **L'eau de lavage était-elle suffisamment chaude pour réduire le froissement, ou utilisez-vous des rinçages à chaud?** Si c'est sans danger pour la charge, utiliser une eau de lavage tiède ou chaude. Utiliser une eau de rinçage froide.
- **Les robinets d'eau chaude et froide ont-ils été inversés?**
Vérifier que les tuyaux d'eau chaude et d'eau froide sont connectés aux bons robinets. Voir les instructions d'installation.

Le linge est enchevêtré ou entortillé

- **Avez-vous surchargé la laveuse?** La charge de lavage doit être équilibrée et pas surchargée. Les charges doivent pouvoir culbuter librement durant le lavage.
- **Avez-vous placé des articles autour de l'agitateur?**
Déposer les articles dans la laveuse sans les comprimer. Ne pas enrouler des articles autour de l'agitateur.

Blanc grisâtre, couleurs défraîchies

- **Avez-vous bien trié la charge?** Le transfert de teinture peut se produire lors du mélange d'articles blancs et de couleur dans une même charge. Séparer les articles de teinte foncée des articles blancs ou clairs.
- **La température de lavage était-elle trop basse?** Utiliser les lavages à l'eau tiède ou chaude, si sans danger pour la charge. S'assurer que votre système d'eau chaude permet d'effectuer un lavage à l'eau chaude.
- **Avez-vous utilisé suffisamment de détergent, ou avez-vous une eau dure?** Utiliser plus de détergent pour laver la saleté intense à l'eau froide ou dure.
- **Les robinets d'eau chaude et froide ont-ils été inversés?**
Vérifier que les tuyaux d'eau chaude et d'eau froide sont connectés aux bons robinets. Voir les instructions d'installation.

Endommagement des vêtements

- **Vérifier ce qui suit :**

Les articles pointus ont-ils été retirés des poches avant le lavage? Vider les poches, fermer les fermetures à glissière, les boutons pression et les agrafes avant le lavage.

Les cordons et les ceintures ont-ils été attachés pour empêcher l'emmêlement?

Les articles étaient-ils endommagés avant le lavage? Raccorder les déchirures et repriser les fils cassés des coutures avant le lavage.
- **Avez-vous surchargé la laveuse?** La charge de lavage doit être équilibrée et pas surchargée. Les charges doivent pouvoir culbuter librement durant le lavage.
- **Avez-vous correctement ajouté l'eau de Javel?** Ne pas verser l'eau de Javel directement sur le linge. Essuyer tous les renversements de Javel. De l'eau de Javel non diluée endommagera les tissus. Ne pas placer des articles de la charge sur le dessus du distributeur d'eau de Javel lorsque vous chargez et déchargez la laveuse (sur certains modèles).
- **Avez-vous suivi les instructions d'entretien du fabricant indiquées sur l'étiquette?**

GARANTIE DE LA LAVEUSE ROPER®

GARANTIE COMPLÈTE DE UN AN

Pour une période de un an à partir de la date d'achat, lorsque cette laveuse est utilisée et entretenue conformément aux instructions fournies avec le produit, Whirlpool Corporation paiera les pièces spécifiées par le fabricant et les frais de réparation pour corriger les vices de matériaux ou de fabrication. Les travaux doivent être effectués par une compagnie de service désignée par Whirlpool.

GARANTIE LIMITÉE DE LA DEUXIÈME À LA CINQUIÈME ANNÉE DE LA BOÎTE DE VITESSES

Pour la période de la deuxième année jusqu'à la cinquième année à partir de la date d'achat, lorsque cette laveuse est utilisée et entretenue conformément aux instructions fournies avec le produit, Whirlpool Corporation paiera les pièces spécifiées par le fabricant FSP® pour tout élément du carter d'engrenage en cas de vices de matériaux ou de fabrication.

Whirlpool Corporation ne paiera pas:

1. Les visites de service pour rectifier l'installation de la laveuse, montrer à l'utilisateur comment utiliser la laveuse ou remplacer des fusibles ou rectifier le câblage électrique ou la plomberie.
2. Les réparations lorsque la laveuse est utilisée à des fins autres qu'un usage normal dans un domicile unifamilial.
3. Les dommages résultant de : accident, modification, mauvais usage, abus, incendie, inondation, actes de Dieu, mauvaise installation, installation non conforme aux codes locaux d'électricité et de plomberie, ou l'utilisation de produits non approuvés par Whirlpool Corporation et Whirlpool Canada Inc.
4. Tous les frais de main-d'oeuvre pendant la période de garantie limitée.
5. Le coût des pièces de rechange et de main-d'oeuvre pour les appareils utilisés en dehors du Canada et des États-Unis.
6. Le transport vers l'atelier et retour. La laveuse est conçue pour être réparée à domicile.
7. Les réparations des pièces ou systèmes résultant de modifications non autorisées apportées à l'appareil.
8. Au Canada, les frais de voyage ou de transport pour les clients habitant dans des régions éloignées.

WHIRLPOOL CORPORATION ET WHIRLPOOL CANADA INC. DÉCLINENT TOUTE RESPONSABILITÉ AU TITRE DE DOMMAGES SECONDAIRES OU INDIRECTS.

Certains États et provinces n'admettent pas l'exclusion ou la limitation des dommages secondaires ou indirects; par conséquent, l'exclusion de la limitation mentionnée ci-dessus peut ne pas s'appliquer dans votre cas. Cette garantie vous confère des droits juridiques spécifiques; vous pouvez également jouir d'autres droits, variables d'un État ou d'une province à l'autre.

À l'extérieur des 50 États des États-Unis et du Canada, cette garantie ne s'applique pas. Contactez votre marchand Roper autorisé pour déterminer si une autre garantie s'applique.

1/02

Pièces de rechange

Si vous avez besoin de commander des pièces de rechange, nous vous recommandons d'utiliser seulement les pièces FSP® autorisées par l'usine. Ces pièces fonctionneront bien parce qu'elles sont fabriquées selon les mêmes spécifications précises utilisées pour fabriquer chaque nouvel appareil ROPER®.

Pour localiser des pièces de rechange FSP® dans votre région :

Téléphoner au Centre d'interaction avec la clientèle au **1-800-447-6737**, ou à votre centre de service désigné le plus proche. Au Canada composez le **1-800-807-6777**.

Pour des renseignements sur la façon de contacter Whirlpool Corporation, veuillez consulter la première page de ce document.

Ensemble de la boîte de vitesses couvert par votre garantie.



3955872A

© 2003 Whirlpool Corporation.
All rights reserved.
Tous droits réservés.

® Registered Trademark/TM Trademark of Whirlpool, U.S.A., Whirlpool Canada Inc. licensee in Canada
® Marque déposée/TM Marque de commerce de Whirlpool, U.S.A., Emploi licencié par Whirlpool Canada Inc. au Canada

3/03
Printed in U.S.A.
Imprimé aux É.-U.