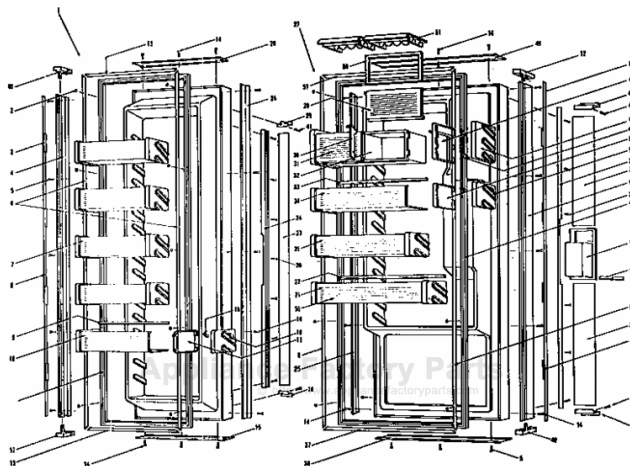


This Owner's Manual is provided and hosted by [Appliance Factory Parts](#).



SUBZERO 590 Owner's Manual

[Shop genuine replacement parts for SUBZERO 590](#)



398

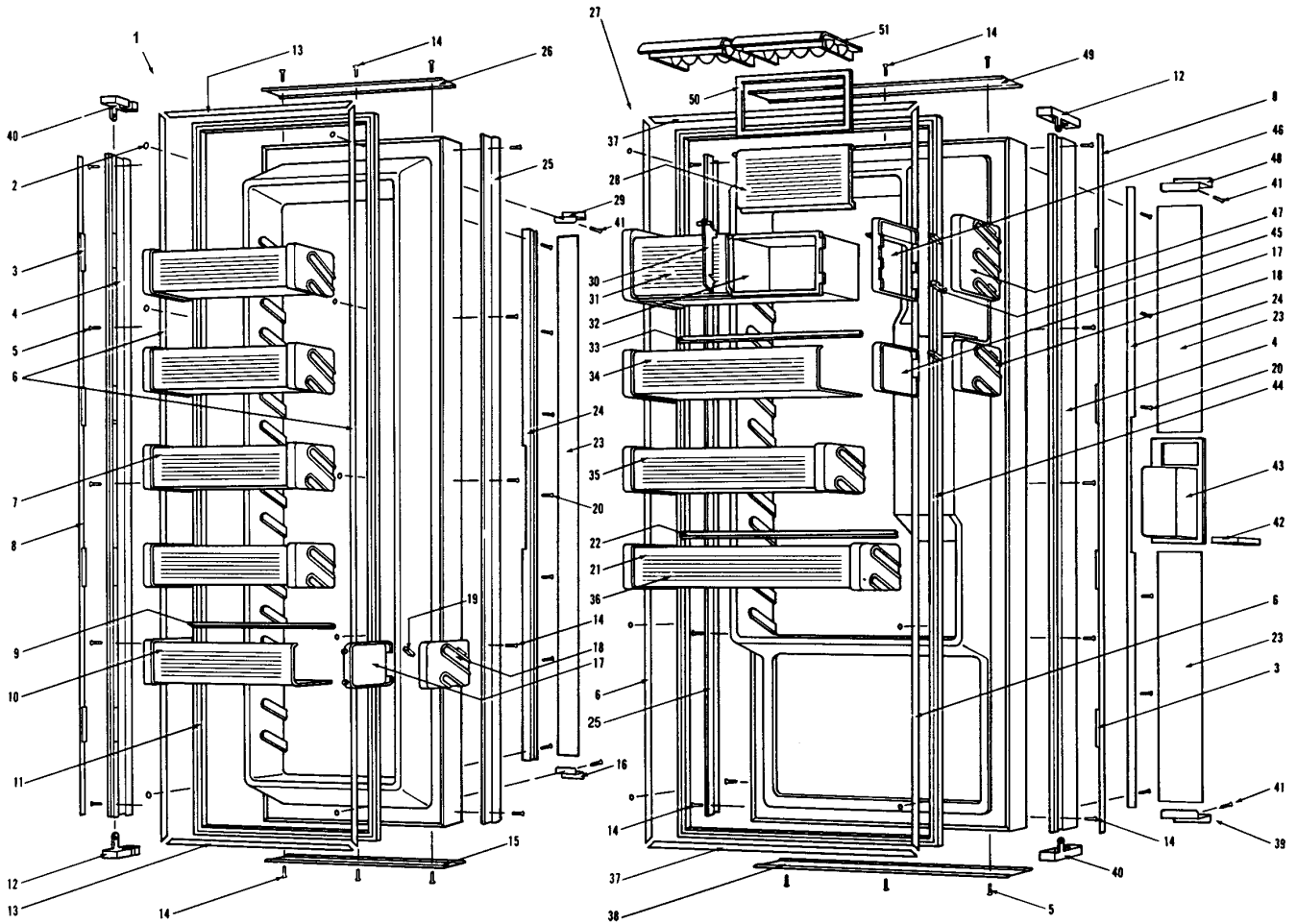
[Find Your SUBZERO Refrigerator Parts - Select From 117 Models](#)

----- Manual continues below -----

590 DOOR VIEW

Ref.	Part No.	Description	Ref.	Part No.	Description
1	4201010	Freezer Door Replacement	27	4201020	Refrigerator Door Replacement - Note: Does not include dispenser
2	6200410	Screw, #8 x 1/2" Slot Head Hex	28	3515910	Dairy Door
3	3450450	Molding Magnet - 3"	29	3411562	Top Trim Filler, Freezer
4	4131530	Door Handle Assembly	30	3421060	Dairy Compartment Center Divider
5	6200720	Screw, #8-18 x 1/2 PH Truss HD	31	4330390	Dairy Compartment Assembly
6	3420260	Gasket Retainer, 66.875"	32	3601230	Dairy Compartment
7	4330280	Door Shelf Assembly, Fre	33	3510940	Door Shelf Support, Refrigerator
8	4130970	Handle Molding Assembly	34	3601240	Door Shelf Tray, Ref
9	3510740	Door Shelf Support, Fre	35	4330380	Door Shelf Assembly, Refrigerator, 17"
10	3601000	Freezer Door Shelf	36	3600980	Refrigerator Door Shelf
11	3211090	Door Gasket, Freezer	37	3420200	Gasket Retainer, 27.062"
12	4200920	End Cap Replacement Components	38	2225514	Door Trim, Bottom
13	3420140	Gasket Retainer, 16.125"	39	3411552	Bottom Trim Filler, Refrigerator
14	6200720	Screw, #8-18 x 1/2 PH Truss HD	40	4200920	End Cap Replacement Components
15	2225415	Door Trim, Bottom	41	6200840	Screw, #10 x 1/2" PH FH AB SS
16	3411561	Bottom Trim Filler, Freezer	42	NA	Glasswell Sump Grid - See G1 through G9
17	3600761	Door Shelf Inner End Cap RS	43	G1	Glass Well-Bright White
	3600762	Door Shelf Inner End Cap LS		G2	Glass Well-Almond Buff
18	3600751	Door Shelf Outer End Cap RS		G3	Glass Well-Camel
	3600752	Door Shelf Outer End Cap LS		G4	Glass Well-Adobe
19	3550440	Door Shelf Retainer		G5	Glass Well-Brushed Pewter (STANDARD)
20	6200840	Screw, #10 x 1/2" PH FH AB SS		G6	Glass Well-Smoke Gray
21	4330260	Door Shelf Assembly		G7	Glass Well-Charcoal
22	3510720	Door Shelf Support, Ref		G8	Glass Well-Port Brown
23	P1/P2	Handle Insert-Bright White/Almond Buff		G9	Glass Well-Black Slate
	P3/P4	Handle Insert-Camel/Adobe	44	3211080	Door Gasket, Refrig.
	P5	Handle Insert-Brushed Pewter - (STANDARD)	45	3550490	Dairy Compartment Retainer
	P6/P7	Handle Insert-Smoke Gray/Charcoal	46	3600891	Dairy Compartment Inner End Cap RS
	P8/P9	Handle Insert-Port Brown/Black Slate		3600892	Dairy Compartment Inner End Cap LS
	P10	Handle Insert-Stainless Steel	47	3600851	Dairy Compartment Outer End Cap; RS
	P11	Handle Insert-White Enamel		3600852	Dairy Compartment Outer End Cap; LS
	P12	Handle Insert-Avocado Enamel	48	3411551	Top Trim Filler, Refrigerator
	P13	Handle Insert-Harvest Gold Enamel	49	2225513	Door Trim, Top
	P14	Handle Insert-Almond Enamel	50	3211310	Dairy Compartment Seal
	P15	Handle Insert-Coffee Enamel	51	3411490	Egg Tray
24	3510970	Vertical Trim Strip			
25	3510960	Door Side Trim			
26	2225414	Door Trim, Top			

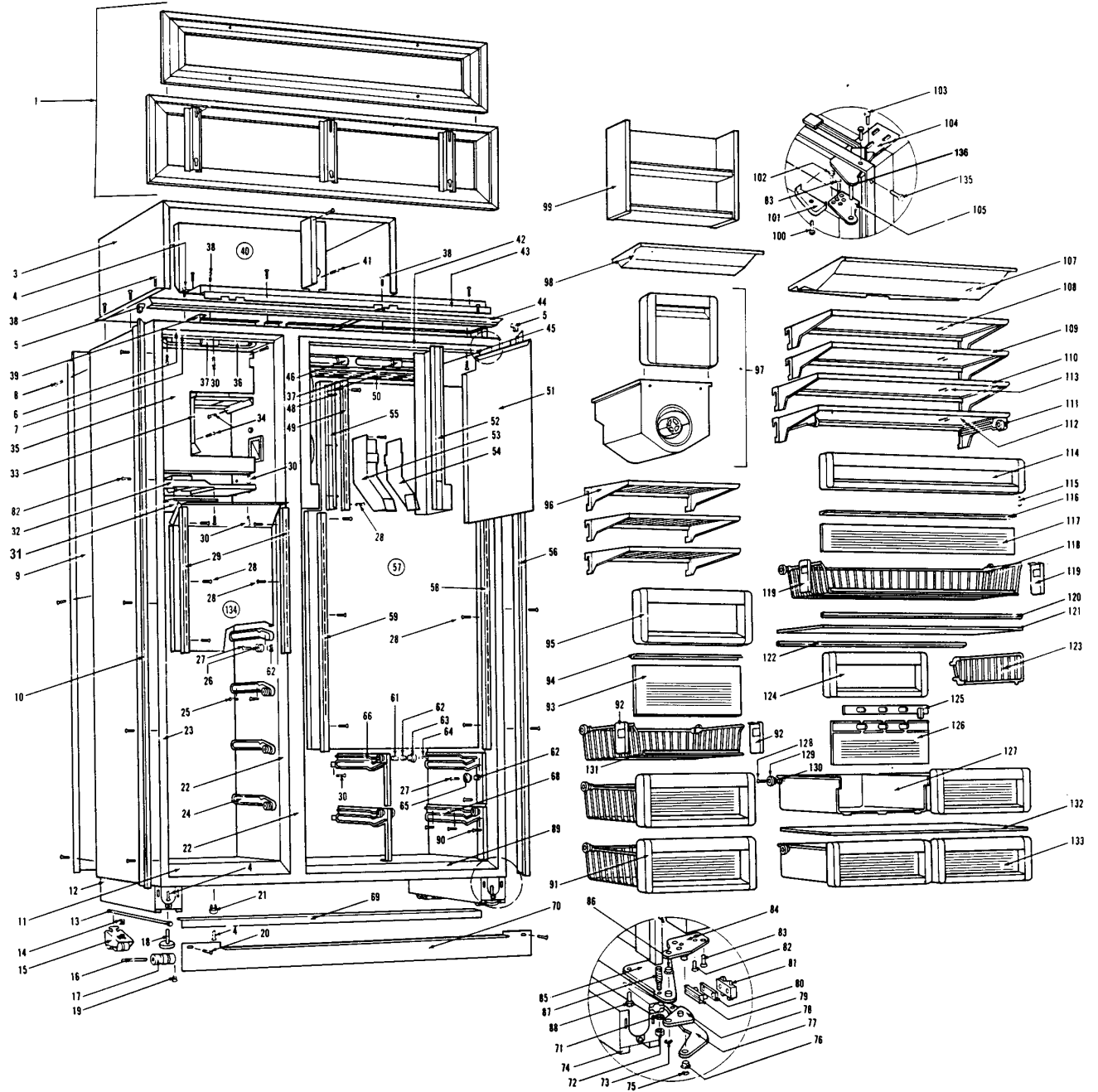
590 DOOR VIEW



590 COSMETIC VIEW

Ref.	Part No.	Description	Ref.	Part No.	Description
1	EAPG4811	Easy Access Panelized Grille, 48 x 11	72	6150200	Nut, 1/4 - 20 Hex
3	4280550	Unit Shroud Assembly	73	3450560	E-Ring, 7/16"
4	6200010	Screw, #10-12 x 3/4" Pan HD	74	4110333	Base Assembly (w/rollers)
	2210701	Main Frame Angle	75	3450550	E-Ring / Klipring , 5/16"
	1807300	Breaker Strip, 6' Length - NOTE: Must be cut to length	76	3421260	Door Closer Bearing
	0233290	Light Diffuser Retainer, Fre	77	4201111	Door closer Assembly, RH
	6200230	Screw, #8-18 x 1/2" Hex Head		4201112	Door closer Assembly, LH
	0164550	Back Cover and Shroud	78	DS90	Door Stop-90 Degree
10	4120490	Main Frame Extrusion, LS		DS105	Door Stop-105 Degree
11	1807300	Breaker Strip, 6' Length - NOTE: Must be cut to length	79	3421310	Door Closer Guide
12	4110333	Base Assembly (w/rollers)	80	0165970	Door Closer Guide Support
13	6110520	Adjusting Screw	81	3450570	Door Closer Cushion
14	6150670	J-Nut, #10 - 24	82	6200210	Screw, #8-32 x 1/2" Flat Head
15	4110331	Base Rear Roller Assy	83	6110540	Bolt, #10-24 x 1/2" Flat Socket HD
16	3550560	Straight Pin, Base Assy - .312" x 2.88"	84	4151241	Door Hinge, Bot; RH
17	3421240	Cabinet Roller (3 per side)		4151242	Door Hinge, Bot; LH
18	3570050	Leveling Leg, #18-3/8 x 1"	85	4151281	Cabinet Hinge Assembly, Lower; RH
19	3450620	Canoe Clip		4151282	Cabinet Hinge Assembly, Lower; LH
20	6200050	Screw, #10-12 x 1/2" Pan HD	86	3421270	Hinge Bearing, 3/8" x 5/8"
21	6220050	Screw Grommet, 1/2" x 5/8"	87	3550190	Bottom Hinge Stud
22	1807200	Breaker Strip, Mullion- 6' Length - NOTE: Must be cut to length	88	6110070	Bolt, 1/4-20 x 3/4" Spinlock Zinc
23	1807300	Breaker Strip, 6' Length - NOTE: Must be cut to length	89	1807300	Breaker Strip, 6' Length - NOTE: Must be cut to length
24	4180971	Freezer Basket Slide Assy - Right	90	6200450	Screw, #8 x 1" Type AR Flat
	4180972	Freezer Basket Slide Assy - Left	91	4180880	Basket Assembly, Fre
25	6200450	Screw, #8 x 1" Type AR Flat	92	3410971	Freezer Basket Retainer, RS
26	3421160	Basket Slide Roller		3410972	Freezer Basket Retainer, LS
	3421170	Freezer Basket Slide Roller, Wide	93	3500260	Freezer Drawer Glass
27	6200730	Screw, #10-16 x 3/4" PH Flat HD UC	94	3600950	Drawer Glass Retainer
28	6200710	Screw, #8-18 x 3/8" Fillister HD	95	3410820	Freezer Basket/IM Bucket Front
29	3601252	Cabinet Shelf Ladder, LH	96	3600830	Wire Shelf
	3601251	Cabinet Shelf Ladder, RH	97	4181180	Ice Bucket Assembly
30	6200140	Screw, #8-15 x 3/8" Truss HD	98	0211830	Light Diffuser, Fre
31	3500390	Lower Diffuser, Flat	99	4181190	Juice Can Rack Assembly
32	4151420	Evaporator Cover Assembly, Lower	100	6200710	Screw, #8-18 x 3/8" Fillister HD
33	4201830	Ice Bucket Main Frame Assembly	101	3541011	Top Cabinet Hinge Cover, RH
34	6200120	Screw, #10-12 x 1/2" Truss HD		3541012	Top Cabinet Hinge Cover, LH
35	0211820	Evaporator Front Cover	102	6200390	Screw, #6 x 3/8" T25 Flat Head PH
36	3030040	Light Bulb, Long/Narrow; 40 watt	103	6110070	Bolt, 1/4-20 x 3/4" Spinlock Zinc
37	3050020	Light Socket, 3/4 Double	104	4322870	Upper Cabinet Hinge/Wire Harness Assy; Ref; RH
38	6200060	Screw, #8-32 x 1/2" Pan HD		4151272	Cabinet Hinge Assembly, Upper; LH
39	4323210	Cabinet Wiring Harness Assembly	105	4322870	Upper Cabinet Hinge/Wire Harness Assy; Ref; RH
40	4280570	Compressor Shroud Assembly		0183182	Door Hinge Assy, Top; LH
41	6200340	Screw, #6-20 x 1/2" Pan Head	107	0211760	Light Diffuser, Ref
42	1807300	Breaker Strip, 6' Length - NOTE: Must be cut to length	108	NLA	Refrigerator Shelf Glass-See 4181170
43	0166460	Wiring Harness Cover	109	4181170	Glass Shelf Assembly
44	2225703	Top Main Frame	110	4180770	Glass Shelf Assembly
45	0211800	Light Diffuser Retainer, Ref	ill	4180800	Shelf Assembly, Ref Roll-out Basket
46	3050010	Light Socket, 3/4 Single	112	NLA	Roll Out Basket Shelf Glass-See 4180800
47	6200140	Screw, #8-15 x 3/8" Truss HD	113	NLA	Refrigerator Glass Shelf Frame-See 4180770
48	4151400	Tank Cover Bracket Assembly	114	3410900	Refrigerator Roll-Out Basket Front
49	3601270	Refrigerator Shelf Ladder - Upper LS	115	6200700	Screw, #6-20 x 5/8" PH Flat HD SS
50	0211790	Fan Guard	116	3600930	Refrigerator Roll-Out Basket Glass Retainer
51	0211750	Water Tank Cover	117	3500290	Refrigerator Roll-Out Basket Glass
52	3012890	Control Panel Assembly	118	4180860	Basket Assembly, Ref Roll-out
53	3411870	Ice Chute/Nozzle Assembly	119	3411001	Refrigerator Roll-Out Basket Retainer, RH
54	4181230	Ice Chute/Water Nozzle Assembly		3411002	Refrigerator Roll-Out Basket Retainer, LH
55	4151400	Tank Cover Bracket Assembly	120	2301701	Front Crisper Seal
56	4120460	Main Frame Extrusion, RS	121	4151070	Crisper Glass Assembly
57	0200790	Cold Plate / Evaporator Cover	122	1302000	Rear Crisper Seal
58	3601081	Cabinet Shelf Ladder, RS	123	3411160	Ref Roll-Out Bskt Divider
59	3601260	Refrig Cabinet Shelf Ladder - Lower LS	124	3411031	Crisper Drawer Front
61	3550450	Hex Insert	125	3411051	Vent Slide
62	3430080	Roller Bushing	126	3411041	Crisper Glass Front
63	3421100	Crisper Roller; Narrow	127	3411021	Crisper Drawer
64	6200740	Screw, #10-32 x 11/16" PH Flat HD UC	128	6200730	Screw, #10-16 x 3/4" PH Flat HD UC
65	3421110	Crisper Roller	129	3421110	Crisper Roller
66	4180940	Crisper Slide Assy; Center	130	3430080	Roller Bushing
67	3550460	White Cap plug	131	NLA	Freezer Basket-See 4180880
68	4180931	Crisper Slide Assy, RS	132	4151100	Crisper Tray Assembly
	4180932	Crisper Slide Assy, LS	133	4180900	Crisper Drawer Assembly
69	0166050	Kickplate Support	134	4200990	Freezer Duct
70	0166020	Kickplate, Black-Solid	135	6200070	Screw, #4-24 x 3/8" Flat HD
71	6240070	Lock Washer, 1/4" SS	136	3421340	Top Door Bearing

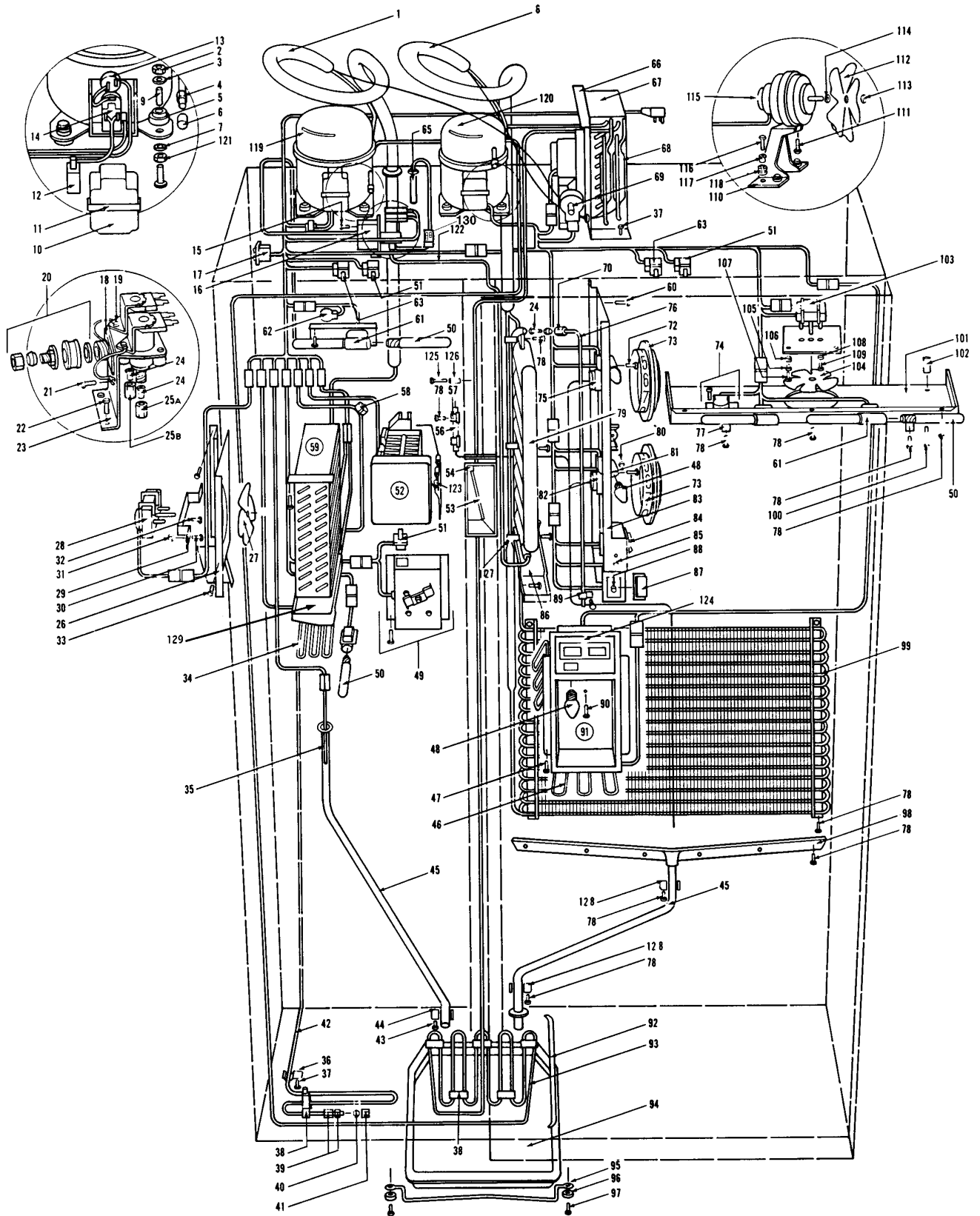
590 COSMETIC VIEW



590 SEALED SYSTEM VIEW

Ref.	Part No.	Description	Ref.	Part No.	Description
1	4251090	Heat Exchanger, Freezer	69	3081180	Service Defrost Timer, 6Hr / 21Min
2	6150220	Nut, 5/16-18 Hex Zinc	70	3520340	Water Tank Compression Nut
3	6240050	Flat Washer, 5/16"	71	6120070	Tube Clamp, Plastic, 3/8" White
4	3090080	Valve Cap -See 3090010; 3090100; 3090210; 3090220	72	6110050	Bolt, #8-32 x 3/8" Truss HD
5	3150010	Rubber Grommet, Small, 5/8"	73	3012900	Control Knob Assembly
6	3090080	Valve Cap -See 3090010; 3090100; 3090210; 3090220	74	4200850	Service Light Terminator
7	6240050	Flat Washer, 5/16"	75	4201270	Control, Ref
8	4250980	Heat Exchanger, Refrigerator	76	2600617	Plastic Water Line
9	6160030	Spacer, 5/16 x 7/16 x 5/8"	77	6220330	Plastic Support
	6160070	Sleeve, 5/16 x 7/16 x 7/8"	78	6200140	Screw, #8-15 x 3/8" Truss HD
10	****	Compressor Cap	79	4181710	Water Reservoir Tank Assembly
11	****	Compressor Strap	80	6110150	Bolt, #10-32 x 3/8" RD HD Chrome
12	****	Freezer Run Capacitor	81	4323150	Lampholder / Control Panel Light Harness
13	****	Overload Refrigerator	82	3012881	Control, Fre
	****	Overload Freezer	83	4160650	Control Assembly - NOTE: Contains both controls & Bracket
14	****	Start Relay Refrigerator		3012820	Control Support
	****	Start Relay Freezer	84	3060250	Ice System Switch
15	6200780	Screw, #10-24 x 1/2" PH Hex Washer	85	4323160	Indicator Light Assembly
16	0166620	Solenoid Connect Spray Cover		3030080	Neon Green Indicator Light
17	3060240	Master Power Switch	86	0211780	Mullion Trough
18	0166200	Solenoid Retainer	87	3060230	Bulk Ice Button
19	4201460	Dual Water Solenoid Valve	88	3060220	Bulk Ice Switch
20	3520110	Water Inlet Fitting Assembly	89	6120060	Tube Clamp, Plastic, 1/2"
21	6200060	Screw, #8-32 x 1/2" Pan HD	90	6200860	Screw, #8 x 1/2" PH TRDH Hi-lo
22	6200010	Screw, #10-12 x 3/4" Pan HD	91	G1	Glass Well-Bright White
23	0166390	Solenoid Bracket		G2	Glass Well-Almond Buff
24	3520050	Brass Insert, Solenoid		G3	Glass Well-Camel
25A	3520030	Icemaker Nylon Nut, 1/4" - 7/16" Thread		G4	Glass Well-Adobe
25B	3520320	Compression Fitting - 1/2" Thread		G5	Glass Well-Brushed Pewter (STANDARD)
26	0233340	Freezer Fan Shroud		G6	Glass Well-Smoke Gray
27	3150060	Fan Blade; Freezer; 5 prop; 5-1/2"		G7	Glass Well-Charcoal
28	4200160	Freezer Fan Motor Replacement Components		G8	Glass Well-Port Brown
				G9	Glass Well-Black Slate
29	0232770	Fan Bracket, Fre.	92	6230370	Adhesive Back Foam Strip, 1 x 1/2 x 15'
30	6110020	Bolt, #10-24 x 3/8" Truss HD	93	2604101	Condensate Heater Loop
31	6150030	Nut, #10-24 Hex SS	94	0164940	Drain Pan, Plastic
32	6110270	Bolt, #10-32 x 1/4" RD HD	95	3420760	Drain Pan Holder
33	6200150	Screw, #10 x 3/4" Type 23 Round HD	96	3420670	Screw Spacer
34	4323200	Freezer Drain Trough Heater Assy	97	6200440	Screw, #10-16 x 11/16" Type B Flat Head
35	3013540	Drain Tube Heater	98	4190160	Drain Trough Assembly
36	6120030	Tube Clamp, Plastic 1/4"	99	3130260	Evaporator, Refrig.
37	6200010	Screw, #10-12 x 3/4" Pan HD	100	6200090	Screw, #8-15 x 1-3/4" Truss HD
38	6220210	Stand-off Heater Clip	101	4160660	Fan Shroud Assembly, Ref
39	3520250	Water Inlet Fitting Assy	102	6220340	Screw Grommet / Stand-off
40	3520370	Compression Sleeve	103	4200170	Refrigerator Fan Motor Replacement Components
41	3520380	Compression Nut		3150210	Fan Blade, Ref Evap
	3520390	Compression Fitting, Water line	105	3520120	Brass Insert, Fan Bracket
42	2604161	Water Inlet Line Tube	106	3220250	Grommet, 3/16" x 7/16" x 9/32"
43	6200010	Screw, #10-12 x 3/4" Pan HD	107	6200130	Screw, #8-18 x 3/4" Truss HD
44	6120210	U-Clamp, 5/8"	108	6200120	Screw, #10-12 x 1/2" Truss HD
45	1601400	Drain Tube, Wire - 1/2" x 72"	109	6110270	Bolt, #10-32 x 1/4" RD HD
46	4323180	Glasswell Heater Assembly	110	1801700	Fan Bracket, Condenser
47	6200880	Screw, #8-32 x 3/8" PH RDHD Mach	111	6200490	Screw, #8-32 x 3/8" Slotted Hex T25
48	3030070	Light Bulb, 7W	112	3150320	Fan Blade, Cond, 5 prop, 7"
49	4220230	Auger Motor Assembly	113	6150410	Nut, 1/4 x 20
50	3030040	Light Bulb, Long/Narrow; 40 watt	114	3210340	Neoprene Silencer, 7/8"
51	3060130	SPST Fan/Icemaker Switch	115	4200740	Condenser Fan Motor Replacement Components
52	4200520	Complete Modular Icemaker Assembly		6200280	Screw, #8-18 x 1" Pan Head
	628366	Module & Motor Assembly	116	3520120	Brass Insert, Fan Bracket
53	3515940	Mullion Chute Door	117	3220160	Grommet, 3/16" x 7/16" x 9/32"
54	3421360	Chute Door Rod	118	4201400	Service Freezer Compressor
55	NA	NA	119	4201670	Service Refrigerator Compressor
56	1606700	Freezer Control Tube	120	6150220	Nut, 5/16-18 Hex Zinc
57	6120030	Tube Clamp, Plastic 1/4"	121	2600617	Plastic Water Line
58	3082060	Defrost Terminator	122	4202730	Ice Level Arm Package
59	4211070	Evaporator Assembly, Fre	123	4200960	Door Dispenser Assembly
60	6200120	Screw, #10-12 x 1/2" Truss HD	124	6200090	Screw, #8-15 x 1-3/4" Truss HD
61	3050020	Light Socket, 3/4 Double	125	6160090	Spacer, #10 x 3/8 x 1-7/16"
62	3082070	Light Terminator	126	6220430	Screw Grommet
63	3060140	SPST Light Switch	127	6120050	Tube Clamp, Plastic, 5/8"
64	6200330	Screw, #8-18 x 3/8" Pan Head	128	4190210	Freezer Drain Trough Assy - NOTE: Also Order Part 4323200
65	1606800	Water Inlet Tube	129	3081120	Fan Control Relay
66	4280560	Condenser Fan Shroud Assembly			
67	3120240	Dual Condenser			
68	3014230	Filter-Drier, High Side			

590 SEALED SYSTEM VIEW



COMPACT ICEMAKER / MODULAR ICEMAKER

Ref.	Part No.	Description	Ref.	Part No.	Description
1	4290070	Icemaker Assembly - See 4202850	14	6220220	Screw Grommet, 1/32 x 3/8" SQ
2	2809401	Shut-off Arm	18	3140160	Icemaker Cover with Instructions
3	3220200	Snap Bushing	19	4202730	Ice Level Arm Package
4	3450420	Shaft Collar	20	628228	Mold & Heater Assembly - Also order 542638 silicone
5	6110500	Set Screw, #8-32 x 3/16"	22	628356	Bearing & Inlet for Modular Icemaker
6	6240180	Nylon Washer, .437 x .260"	23	627843	Ejector
7	3220180	Snap Bushing, 3/8" x 1/4"	24	627788	Ice Stripper
8	3421190	Icemaker Arm Guide-Used on 4290070	25	627790	Support/IM Housing
9	3450330	Plastic O-Ring	26	627792	Thermostat Retainer
10	3420880	Roller	27	627985	Thermostat (Modular IM)
11	3450360	Extension Spring	28	489163	Screw #10-32 X 43/64
12	4160600	IM Sensor Return Mechanism	29	628366	Module & Motor Assembly
13	0233220	IM Bracket - Front	30	681249	Screw

COMPACT ICEMAKER / MODULAR ICEMAKER

