



ASSEMBLY MANUAL & PARTS LIST

MANUEL DE MONTAGE & LISTE DE PIÈCES



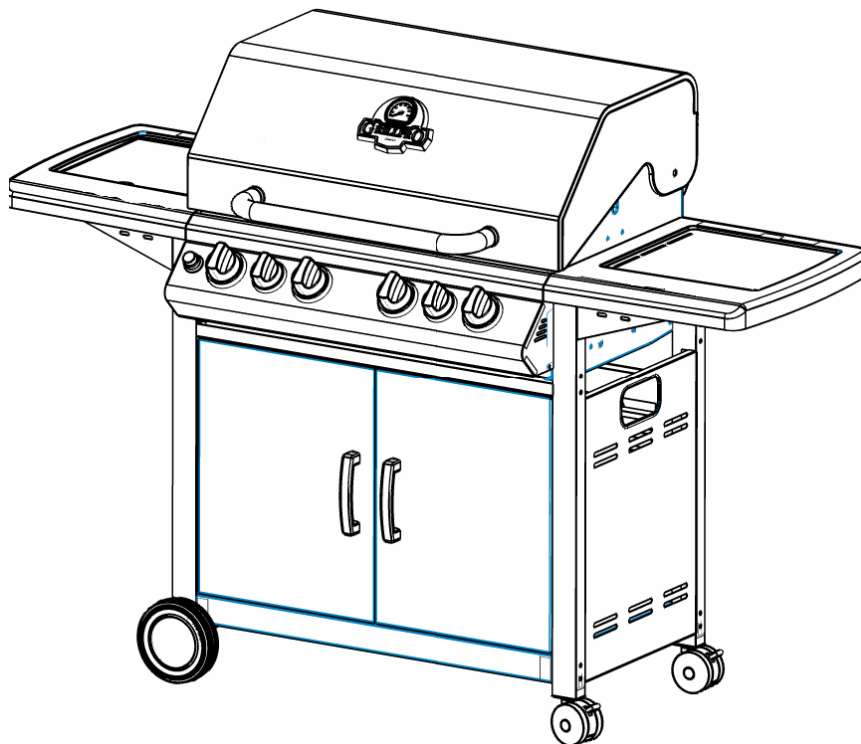
GRILLPRO

216554
216954
216564
216524



GRILLPRO

218544
218584
218944
218744
218747



RETAIN FOR FUTURE REFERENCE

VEUILLEZ CONSERVER POUR REFERENCE ULTERIEURE

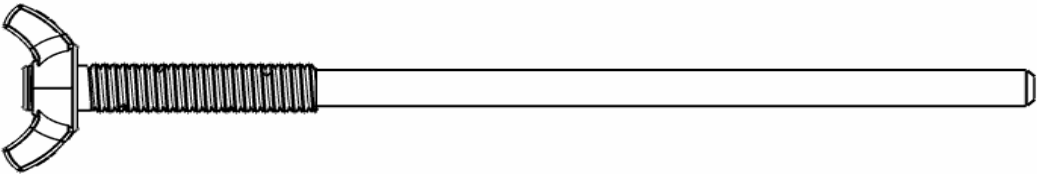
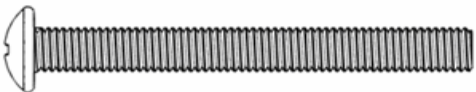




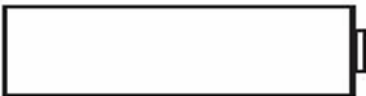
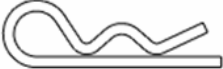

1-800-265-2150

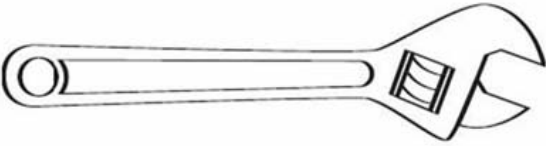
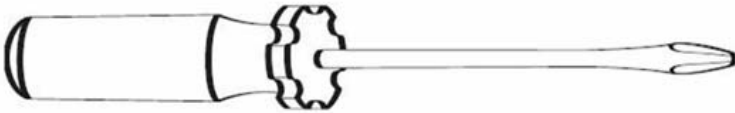
info@omcbbq.com



Onward
SINCE 1908
MANUFACTURING COMPANY
585 KUMPF DRIVE
WATERLOO, ONTARIO, CANADA
N2V 1K3

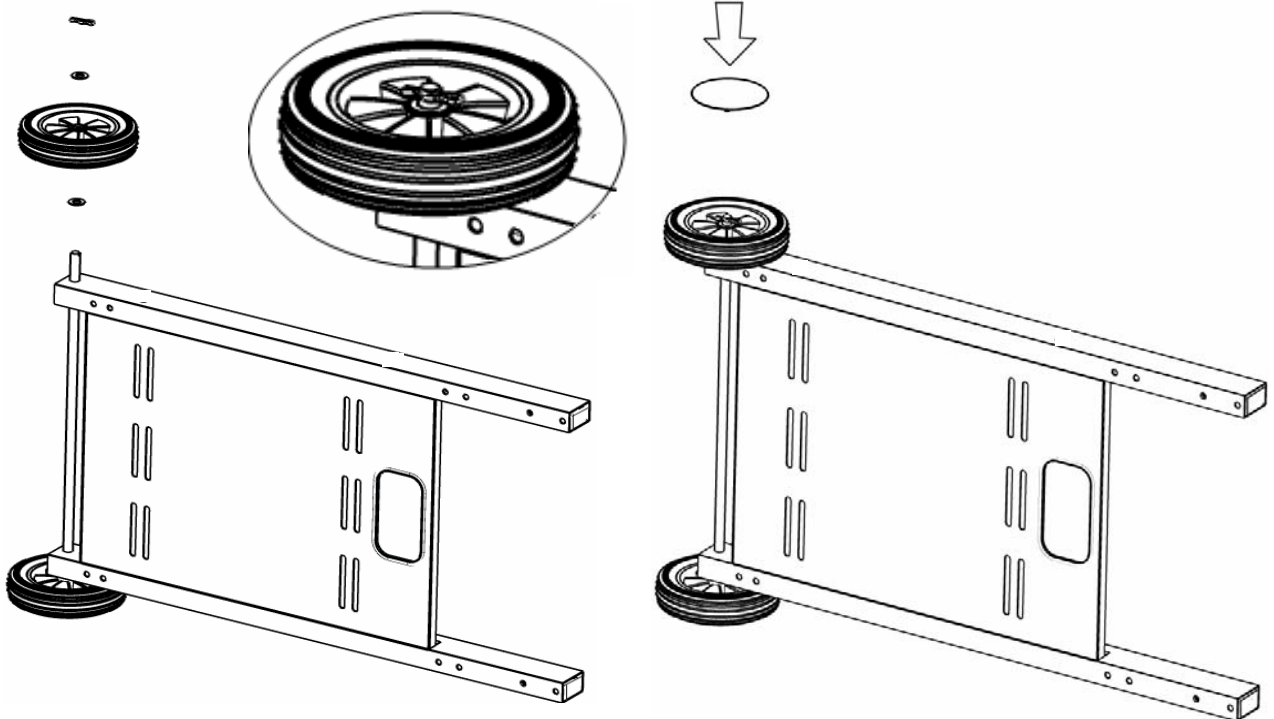
11412256 Rev B

09/01/06

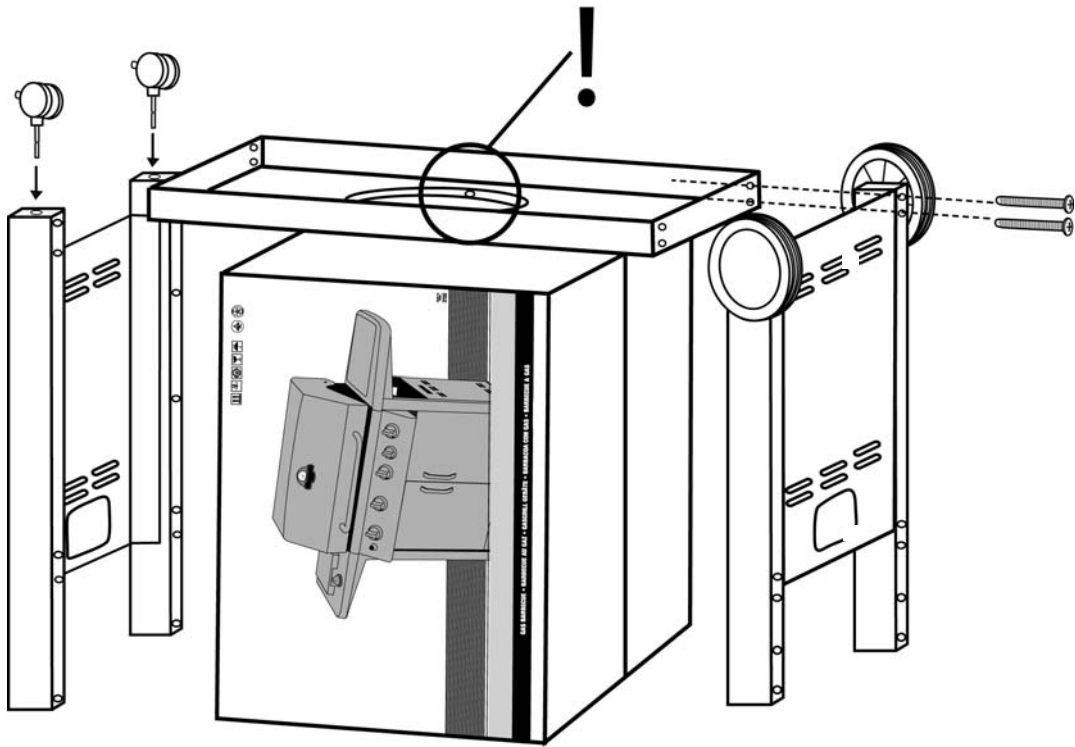
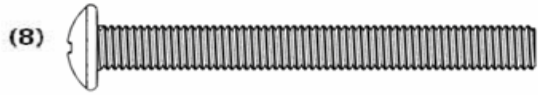
X1 		
X18 	X4 	X4 
X4 	X2 	X1 
X2 	X4 	



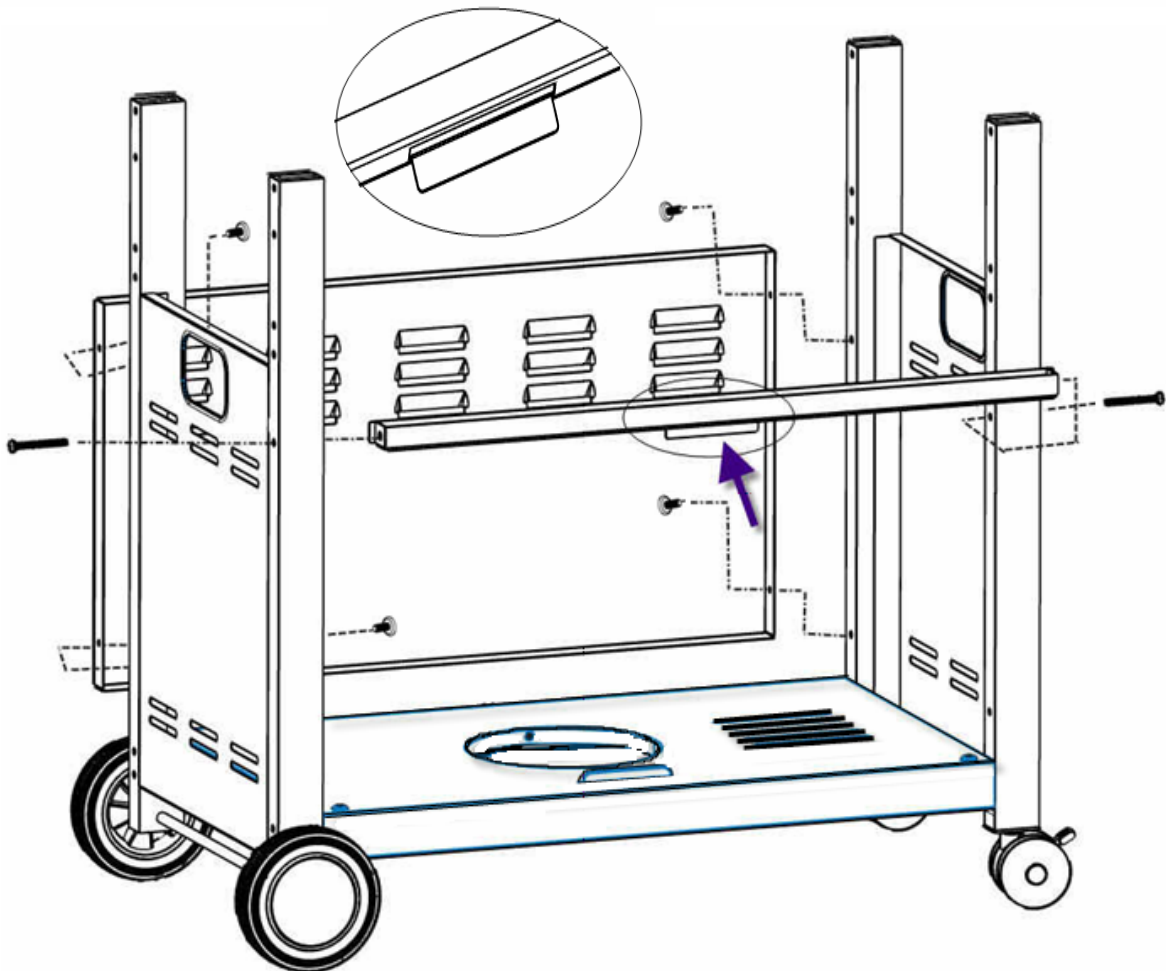
1	(2) 	(4) 
---	---	---

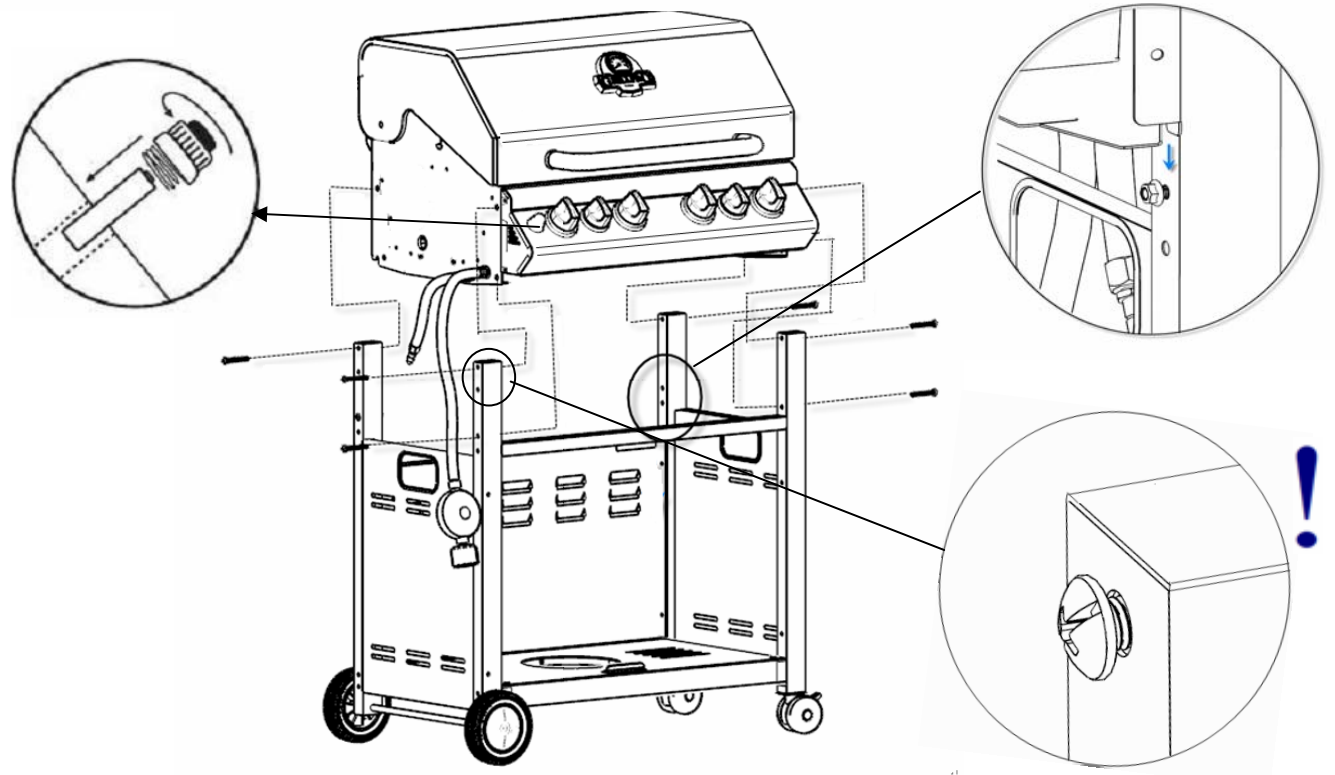
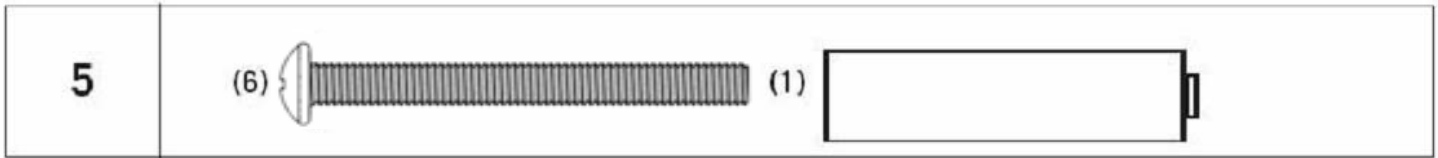
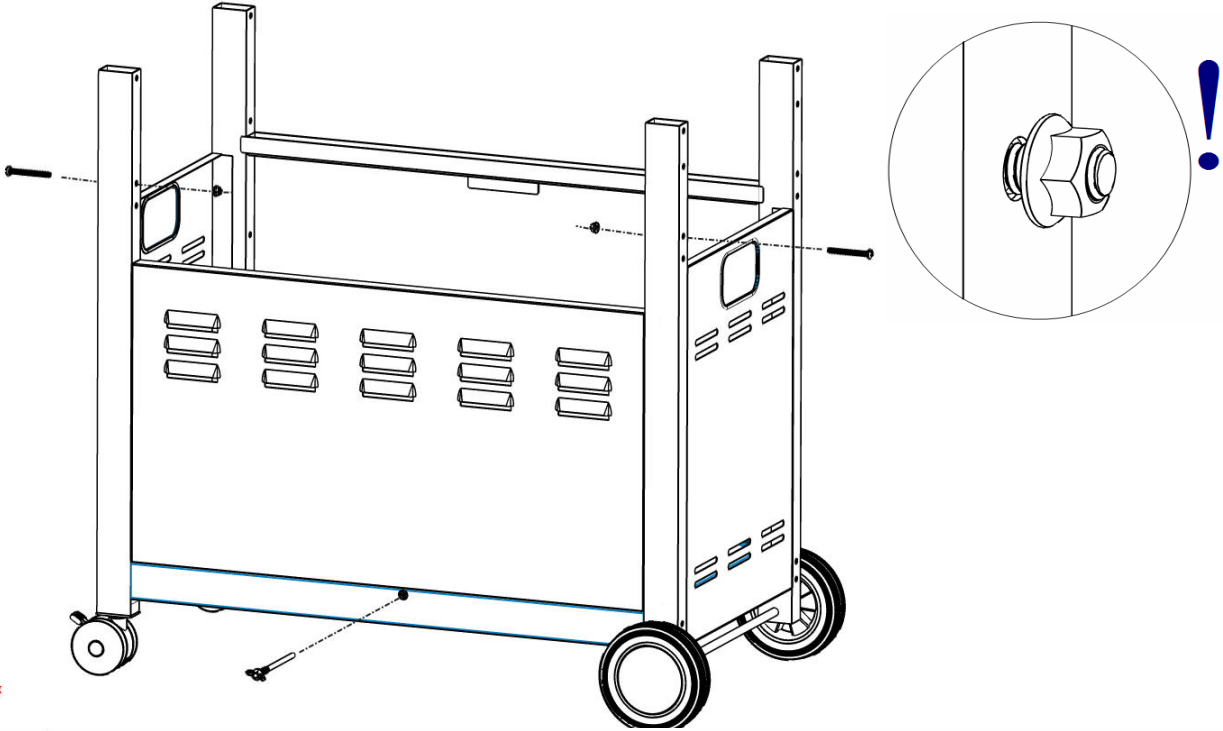
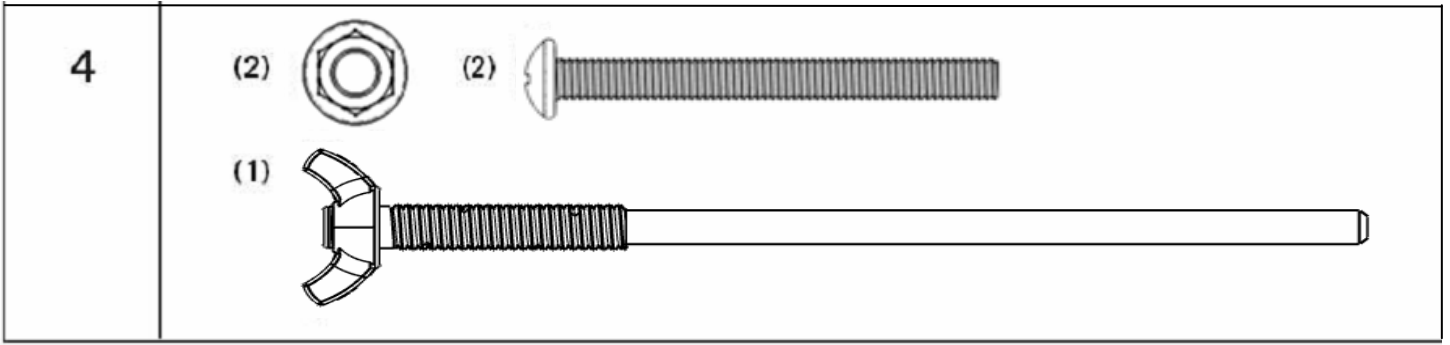


2



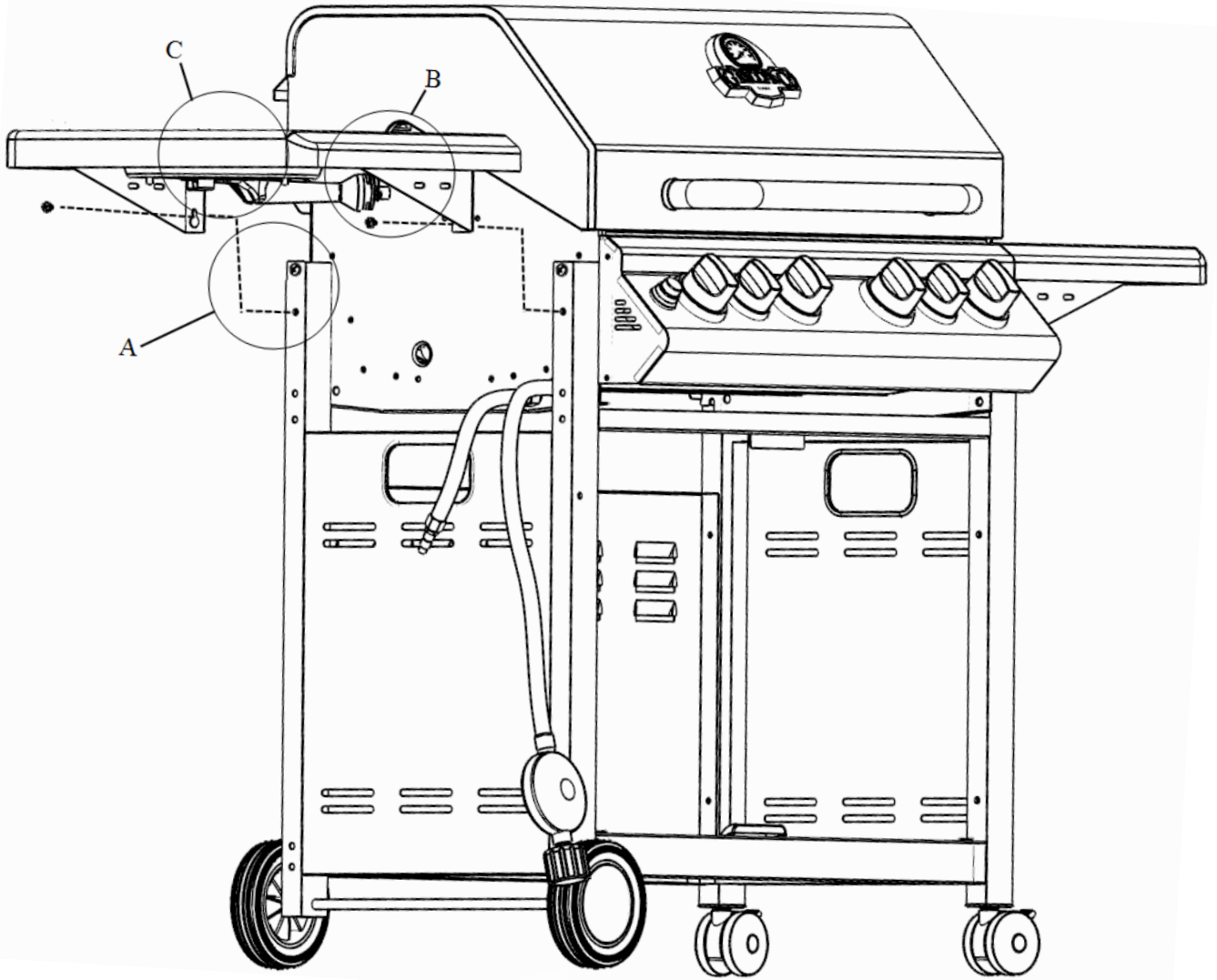
3



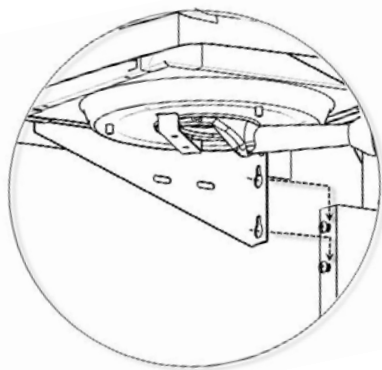


6

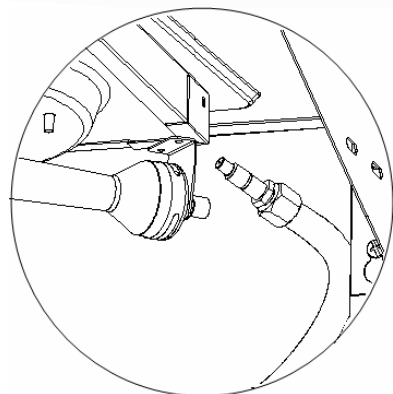
(4) 



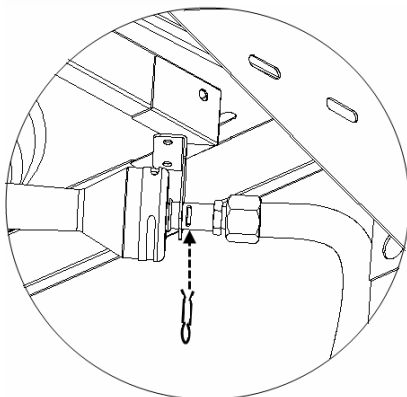
A



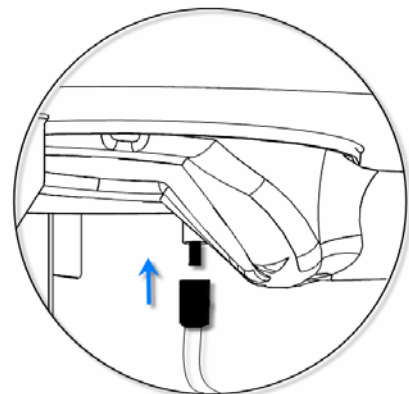
B1



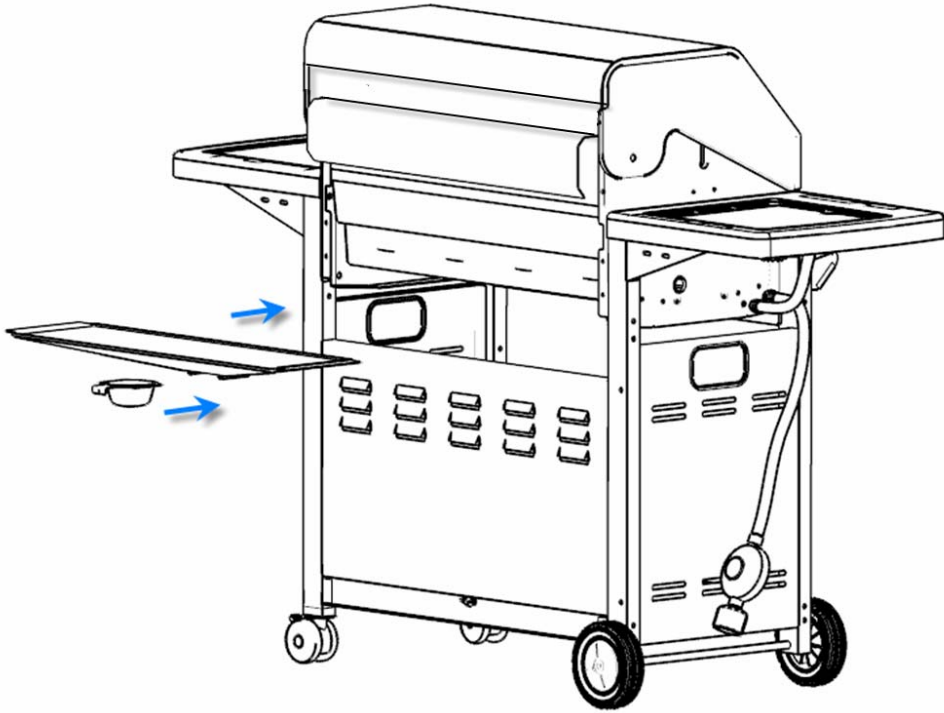
B2



C

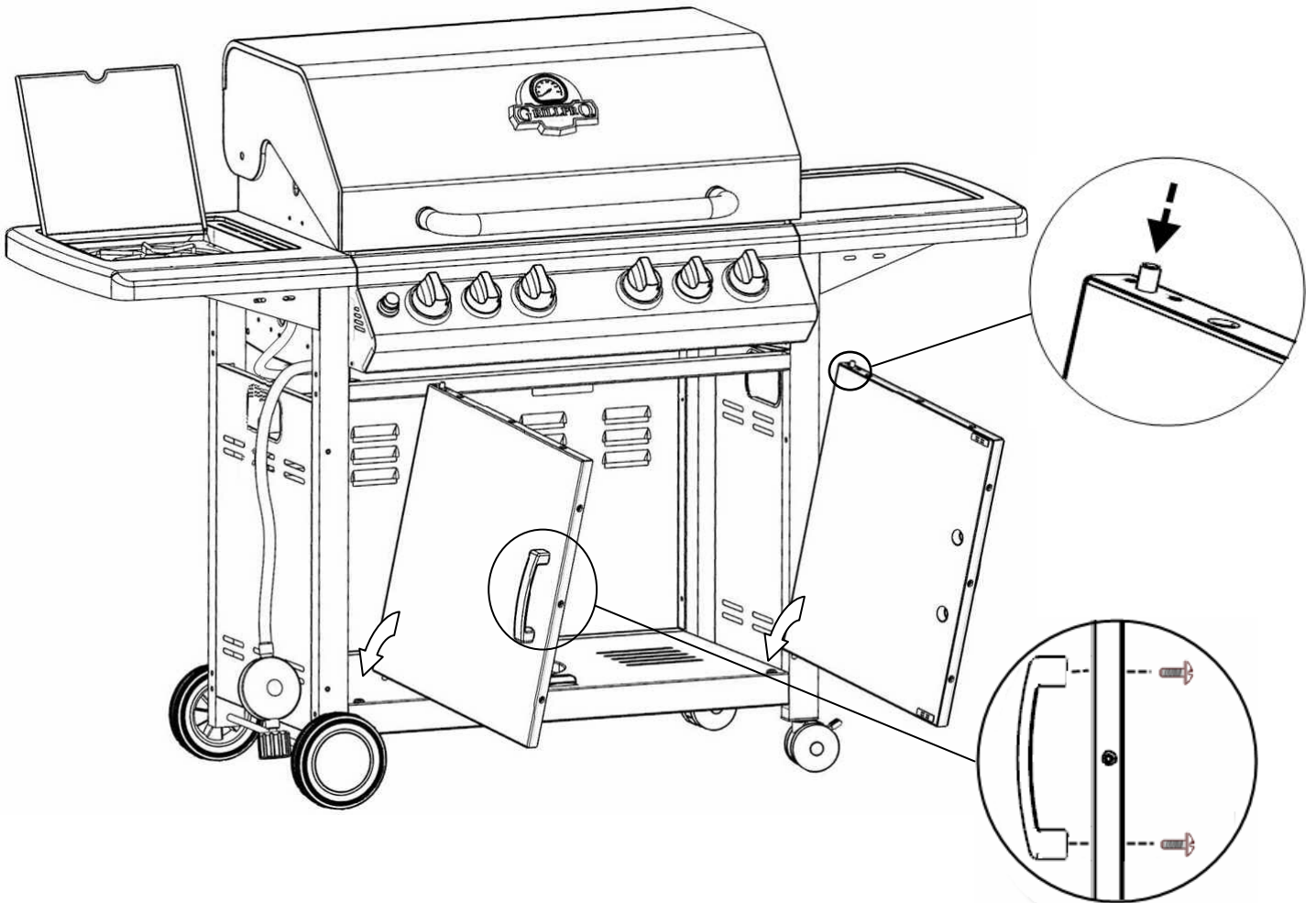


7

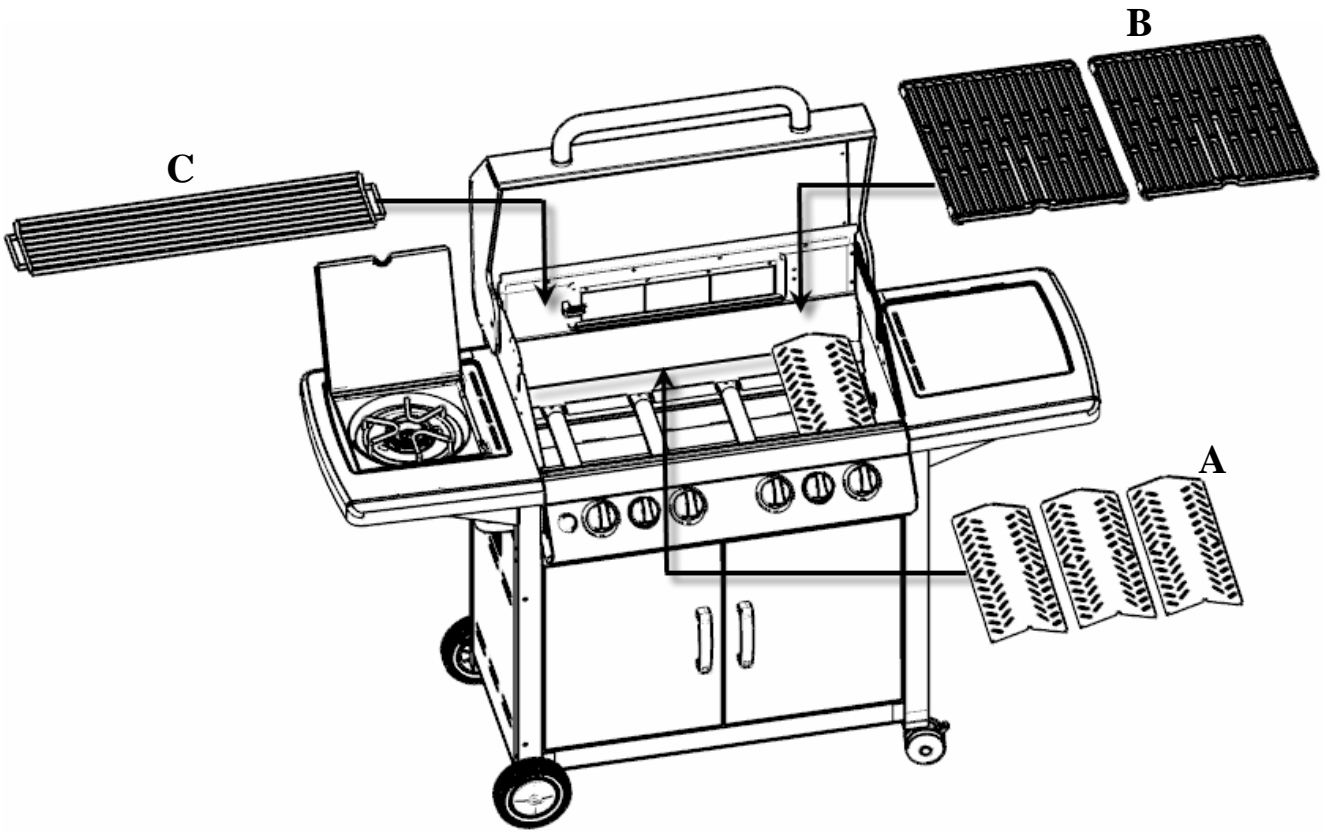


8

(4) 



9



10



