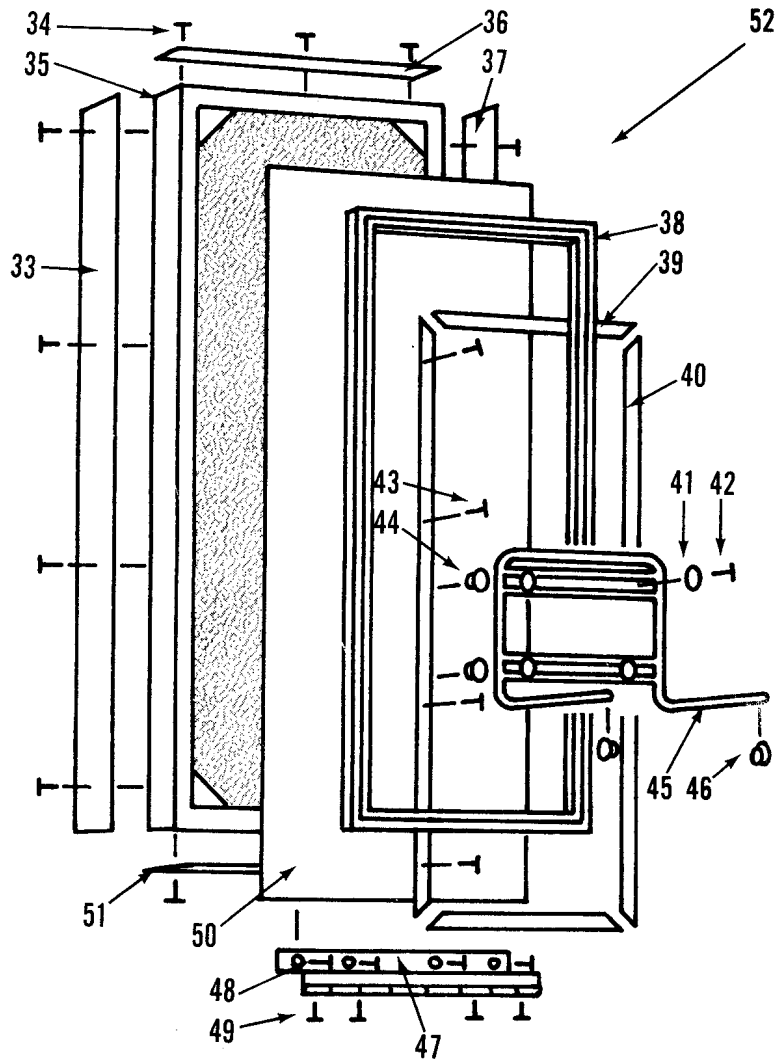


22 IM DOORS

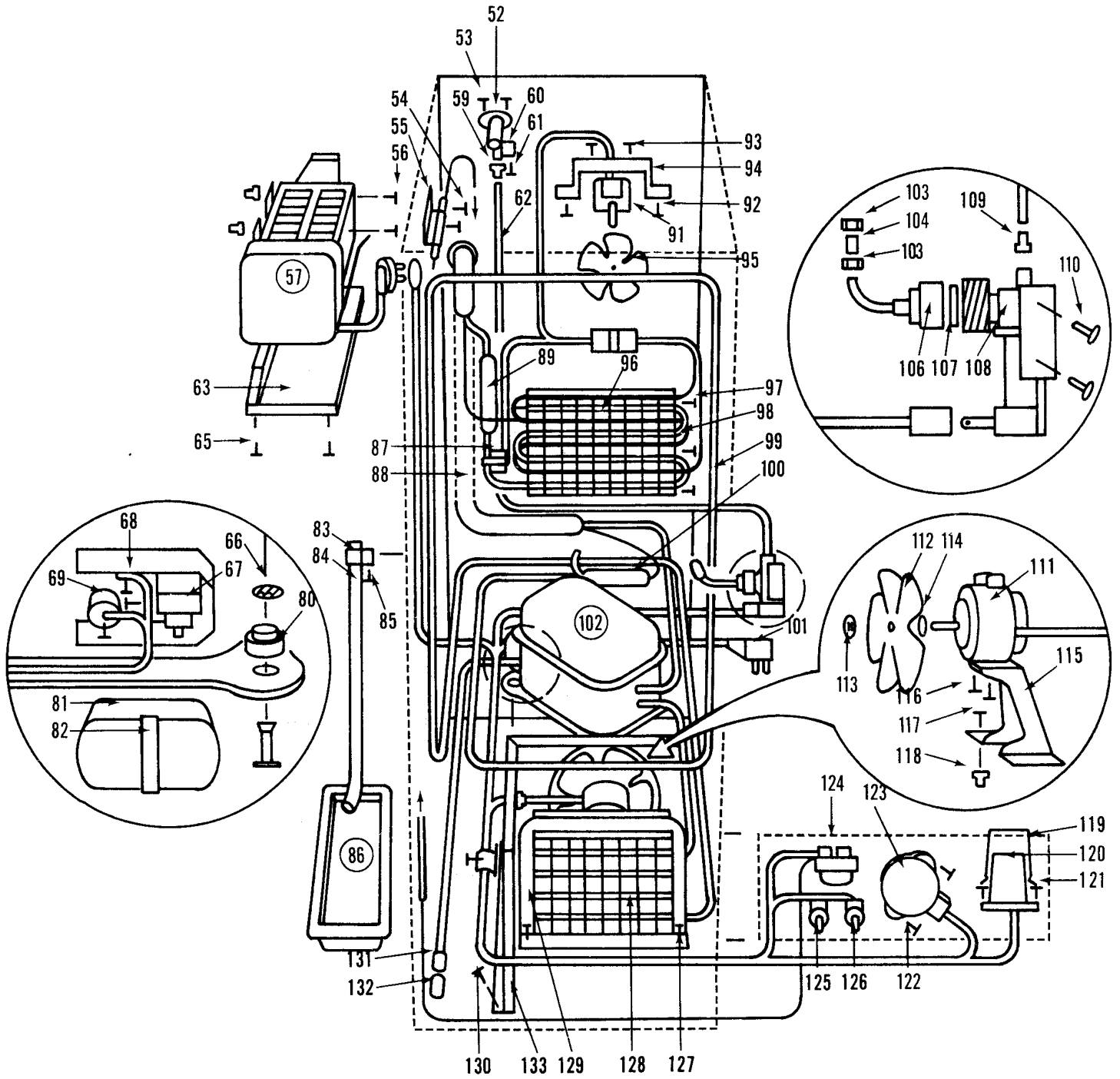


<u>Item #</u>	<u>Part #</u>	<u>Description</u>
33	2-2188-02	Side Door Trim, 1.57 x 30-3/16
34	6-20-004-0	Screw, #4-24 x 1/2 Truss Head
35	0-87016-0	Door Shell
36	2-2189-03	Door Handle
37	2-2188-02	Side Door Trim, 1.57 x 30-3/16
38	3-21-029-0	Door Gasket
39	3-42-039-0	Top & Bottom Gasket Retainer
40	3-42-036-0	Side Gasket Retainer
41	3-42-007-0	Hinge Bearing, 1/4 x 5/8
42	6-11-041-0	Bolt, 1/4-20 x 1 PH Head S/S
43	6-20-041-0	Screw, #8 x 1/2 Slotted Head Hex
44	6-15-017-0	Wellnut, 1/4-20
45	3-60-046-2	Wire Basket Support, Front
46	3-42-007-0	Hinge Bearing
47	2-8092-01	Hinge
48	6-20-012-0	Screw, #10-12 x 1/2 Truss Head
49	6-20-001-0	Screw, #10-12 x 3/4 Pan Head
50	0-88042-0	Door Liner
51	2-2188-06	Bottom Door Trim
52	4-13-066-0	Complete Door Assembly

22 IM SYSTEM VIEW

<u>Item #</u>	<u>Part #</u>	<u>Description</u>
52	2-6038-01	Water Inlet Tube
53	6-20-002-0	Screw, #7-16 x 1/2 Pan Head
54	6-20-005-0	Screw, #10-12 x 1/2 Pan Head
55	0-21125-0	Control Tube Clamp
56	6-20-015-0	Screw, #10-24 x 5/8 Round Head
57	4-20-022-0	Icemaker
59	3-52-005-0	Brass Insert
60	6-12-012-0	Tube Clamp, 3/8 Steel
61	6-20-033-0	Screw, #8-18 x 3/8 Pan Head
62	2-6006-10	Plastic Water Line
63	4-21-060-0	Evaporator Assembly
65	6-20-009-0	Screw, #8-15 x 1-3/4 Truss Head
66	3-45-004-0	Compressor Clip, 7/8 x 3/16
67	3-11-069-0	Start Relay (9660-041-161)
68	6-11-034-0	Screw, Slot Head
69	3-11-070-0	Overload (MRP40AMK-34)
80	3-15-001-0	Rubber Mount, 5/8 x 1-1/4
81	3-11-062-0	Terminal Cover
82	3-11-063-0	Terminal Cover Strap
83	6-12-005-0	Plastic Tube Clamp, 5/8
84	1-6014-00	Drain Tube
	4-20-040-0	Drain Tube Heater Kit
85	6-20-005-0	Screw, #10-12 x 1/2 Pan Head
86	0-16315-0	Drain Pan
87	4-32-138-0	Defrost Terminator Assembly
88	4-25-053-0	Heat Exchanger
89	3-01-105-0	Accumulator
91	4-20-017-0	Fan Motor, 23 Watt
92	6-11-032-0	Bolt, #10-32 x 3/4 Truss Head
93	6-11-027-0	Bolt, #10-32 x 1/4 Round Head
94	0-21129-0	Fan Bracket
95	3-15-021-0	Fan Blade, 4"
96	3-13-008-0	Evaporator Coil
97	6-20-005-0	Screw, #10-12 x 1/2 Pan Head
98	4-32-140-0	Defrost Heater Assembly
99	2-6002-80	Frame Tube Assembly
100	3-01-401-0	Drier
101	3-02-231-0	Power Cord, Black
102	3-11-068-0	Compressor (AE1360D)
103	3-52-023-0	Compression Nut
104	3-52-022-0	Ball Sleeve
106	3-52-021-0	Water Valve Fitting
107	3-21-003-0	Water Valve Gasket
108	3-09-002-0	Solenoid Valve
109	3-52-005-0	Brass Insert
110	6-20-001-0	Screw, #10-12 x 3/4 Pan Head
111	3-15-028-0	Condenser Fan Motor
112	3-15-003-0	Fan Blade; 5 Prop, 6-3/4
114	3-21-034-0	Neoprene Silencer, 7/8"
115	1-8016-00	Fan Bracket
116	6-20-049-0	Screw, #8-32 x 3/8 Type 25 Slotted Hex
117	6-20-043-0	Screw, #8-18 x 1/2
118	3-52-012-0	Brass Insert, 3/16 x 9/32
119	3-45-024-0	Relay Bale Clip
120	3-06-012-0	Time Delay Relay
121	6-20-024-0	Screw, #8-32 x 3/8 PH Head
122	6-20-034-0	Screw, #6-20 x 1/2 Pan Head
123	3-08-105-0	Defrost Timer
124	3-01-244-0	Control
125	3-06-002-0	Door Switch, Normally Open (Icemaker)
126	3-06-002-0	Door Switch, Normally Open (Fan)
127	6-20-034-0	Screw, #6-20 x 1/2 Pan Head
128	3-12-017-0	Condenser
129	1-4005-00	Armaflex
130	6-20-002-0	Screw, #7-16 x 1/2 Pan Head
131	3-09-001-0	Base Valve
132	3-09-008-0	Valve Cap
133	0-86160-0	Baffle

22 IM SYSTEM VIEW



22 IM COSMETIC VIEW

<u>Item #</u>	<u>Part #</u>	<u>Description</u>
1	6-20-002-0	Screw, #7-16 x 1/2 Pan Head
2	0-86143-0	Back Cover
4	0-84015-0	Base Rear Cover
5	6-15-029-0	Nut, 3/8-16 Hex
6	3-57-004-0	Leveler, 3/8-18 x 1-1/2
7	2-8073-21	Top & Bottom Breaker Strip
8	6-11-041-0	Bolt, 1/4-20 x 1 PH Head S/S
9	6-24-012-0	Nylon Washer
10	2-8073-22	Side Breaker Strip
11	3-43-002-0	Nylon Shoulder Washer
12	6-15-047-0	Adjust Screw
13	6-20-005-0	Screw, #10-12 x 1/2 Pan Head
14	4-11-022-0	Base Assembly
15	6-20-002-0	Screw, #7-16 x 1/2 Pan Head
16	3-01-232-0	Control Knob
17	6-20-024-0	Screw, #8-32 x 3/8 PH Head
18	4-15-074-0	Duct Cover Assembly
19	6-20-005-0	Screw, #10-12 x 1/2 Pan Head
20	0-86140-0	Fan Housing
21	6-20-002-0	Screw, #7-16 x 1/2 Pan Head
22	3-42-007-0	Hinge Bearing
23	3-45-026-0	Stainless Spring, 1/2 x 4-#41
24	3-42-007-0	Hinge Bearing
25	6-20-005-0	Screw, #10-12 x 1/2 Pan Head
26	4-19-008-0	Drain Trough Assembly
27	6-20-002-0	Screw, #7-16 x 1/2 Pan Head
28	4-16-037-0	Front Panel Assembly
29	0-86166-0	Kickplate
30	6-20-005-0	Screw, #10-12 x 1/2 Pan Head
31	3-60-046-1	Wire Basket
32	3-41-044-0	Ice Bucket
105	3-60-046-3	Wire Basket Support, Rear

22 IM COSMETIC VIEW

