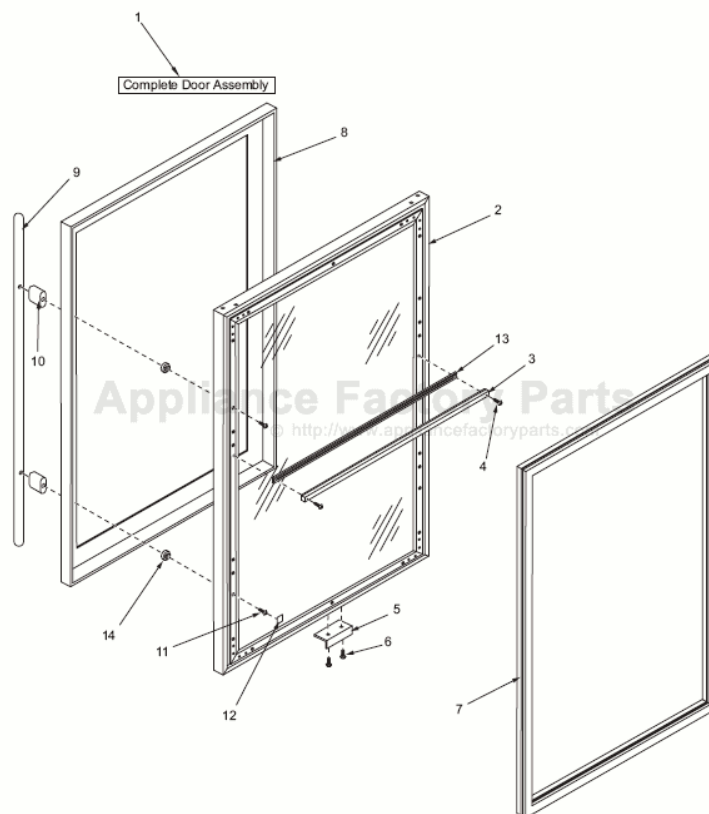


This Owner's Manual is provided and hosted by [Appliance Factory Parts](http://www.appliancefactoryparts.com).



SUBZERO 424-2 Owner's Manual

[Shop genuine replacement parts for SUBZERO 424-2](#)



[Find Your SUBZERO Refrigerator Parts - Select From 117 Models](#)

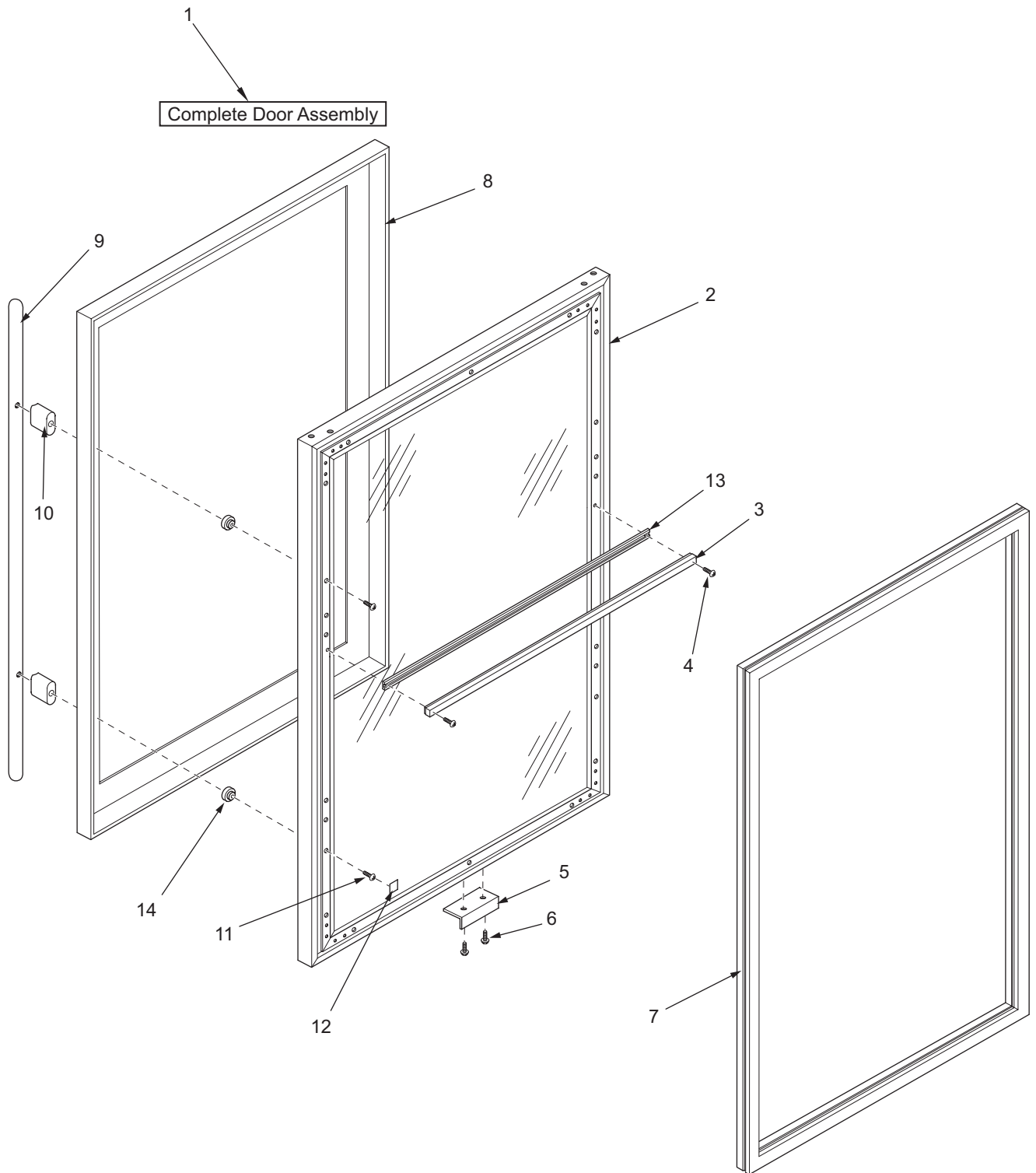
----- Manual continues below -----



424-2 DOOR PARTS LIST

Ref #	Part #	Description	Ref #	Part #	Description
1.	4134180	Door Assy, SRVC - 424G/O	5.	3450990	Switch Depressor, Black
	4134361	Door Assy, HAG 424/O		3450991	Switch Depressor, Silver
	4134190	Door Assy, Srvc - 424G/S RH	6.	6200050	Screw, #10-12 x 1/2" Pan HD
	4134200	Door Assy, Srvc - 424G/S LH	7.	3211950	Gasket, Door
	4134371	Door Assy, HAG 424G/S RH	8.	4203150	SS Door Panel Pkg, Glass-424RH
	4134372	Door Assy, HAG 424G/S LH		4203160	SS Door Panel Pkg, Glass-424LH
	4135045	Door Assy,SRVC-424G/B-RH		4135141	Door Skin Assy,SRVC-424G/B-RH
	4135046	Door Assy,SRVC-424G/B-LH		4135142	Door Skin Assy,SRVC-424G/B-LH
	4135047	Door Assy,Srvc-424HAG/B-RH		4135151	Door Skin Assy,SRVC-424G/P-RH
	4135048	Door Assy,Srvc-424HAG/B-LH		4135152	Door Skin Assy,SRVC-424G/P-LH
	4135055	Door Assy,SRVC-424G/P-RH		4134161	Door Skin Assy,SRVC -424S/B-RH
	4135056	Door Assy,SRVC-424G/P-LH		4134162	Door Skin Assy,SRVC-424S/B-LH
	4135057	Door Assy,Srvc-424HAG/P-RH		4134171	Door Skin Assy,SRVC-424S/P-RH
	4135058	Door Assy,Srvc-424HAG/P-LH		4134172	Door Skin Assy,SRVC-424S/P-LH
	4134210	Door Assy, SRVC-424S/O		4203190	SS Door Panel Pkg, Solid-424RH
	4134220	Door Assy, SRVC-424S/S-RH		4203200	SS Door Panel Pkg, Solid-424LH
	4134230	Door Assy, SRVC-424S/S-LH		4135161	Door Skin Assy,SRVC-424S/B-RH
	4135063	Door Assy,SRVC-424S/B-RH		4135162	Door Skin Assy,SRVC-424S/B-LH
	4135064	Door Assy,SRVC-424S/B-LH		4135171	Door Skin Assy,SRVC-424S/P-RH
	4135073	Door Assy,SRVC-424S/P-RH		4135172	Door Skin Assy,SRVC-424S/P-LH
	4135074	Door Assy,SRVC-424S/P-LH	9.	3512030	Handle, Door SS 3/4 X 24.188 -
NOTE: Door Assys do NOT include hinges, handle or switch depressor.				3512031	Handle, Door 3/4 X 24-3/16, B -
2.	4132723	Door Assy, Srvc Glass 424/O		3512032	Handle, Door 3/4 X 24-3/16, P -
	4134361	Door Assy, Srvc-HAG 424G/O	10.	3512190	Standoff, SS Oval
	4134371	Door Assy, HAG 424G/S RH		3512191	Standoff, Oval CarBon
	4134372	Door Assy, HAG 424G/S LH		3512192	Standoff, Oval Platinum
	4132983	Door Assy, Srvc Solid 424/O	11.	6110650	Machine Screw, #10-24x2 TRHDSS
	4132993	Door Assy, Srvc Solid 424/S	12.	6230970	Tape, Black Poly
3.	3212020	Seal, Center	13.	2813001	Holder, Compression Gasket - 21.5
4.	6201360	Screw, #4 x 3/4" Ph Pan Hd Type A		2813101	Holder, Compression Gasket - 21.5 -
			14.	6160250	Spacer, Door Hndl-(SS,carBon,Platinum)

424-2 DOOR VIEW



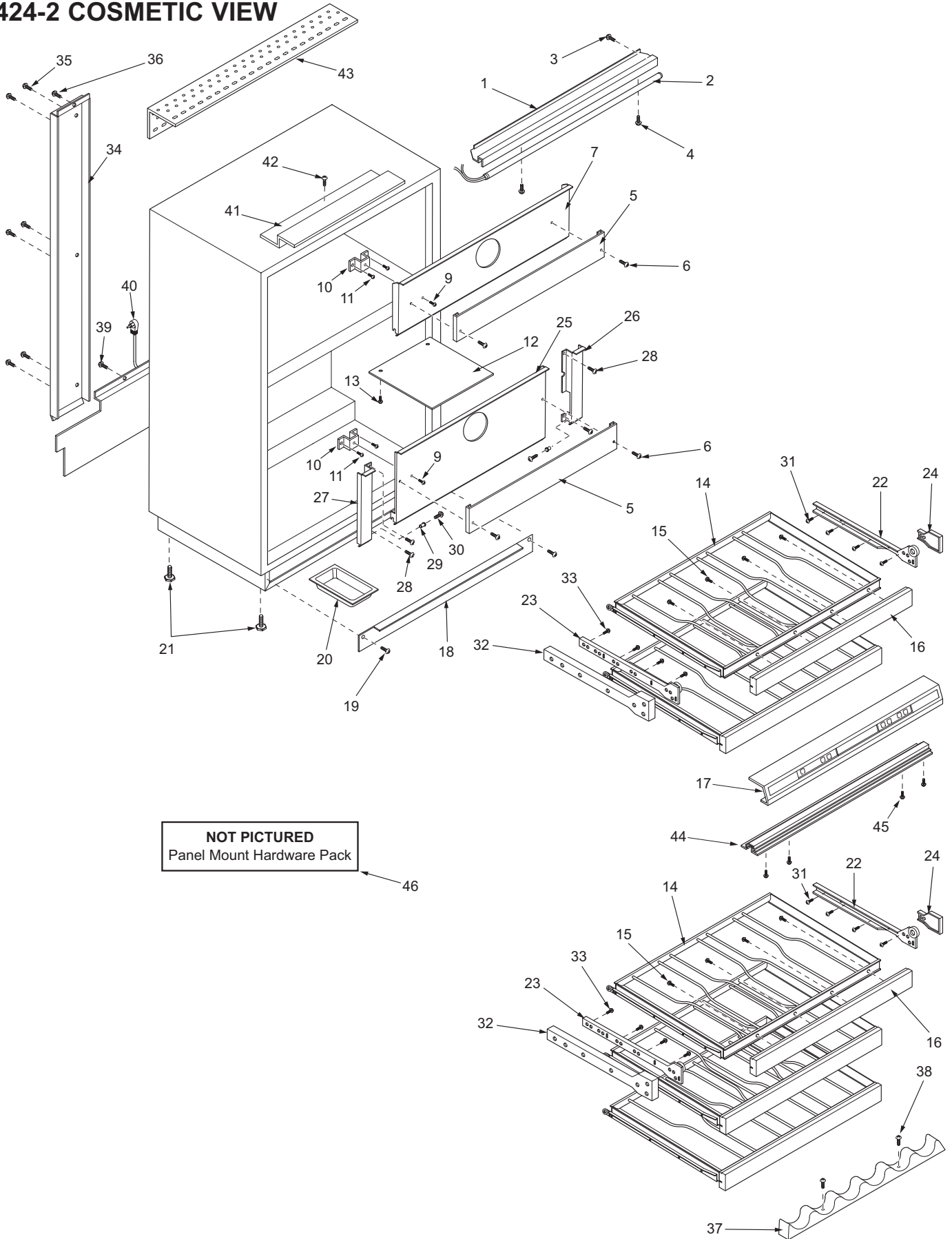


424-2 COSMETIC PARTS LIST

<u>Ref #</u>	<u>Part #</u>	<u>Description</u>	<u>Ref #</u>	<u>Part #</u>	<u>Description</u>
1.	3511670	Light Strip Housing, Upper	24.	3421830	Spacer, Slide (Handle Side)
2.	3030150	Light Strip, 15 WATT	25.	0200931	Cover, Evap Lwr Srvc
3.	6201270	Screw, #8-18 x 5/8" PH PN SS-Gnd	26.	0200941	Evap Sprt, RH Lwr Srvc
4.	6201310	Screw, #8 x 1-3/4" Flat PH HD	27.	0200951	Evap Sprt, LH Lwr Srvc
5.	0212321	Diffuser, Evap Fan Srvc	28.	6201270	Screw, #8-18 x 5/8" PH PN SS-Gnd
6.	6201010	Screw, #8-15 x 2" Pan Head	29.	3520120	Brass Insert
7.	0200921	Cover, Evap Upr Srvc	30.	6200130	Screw, #8-18 x 3/4" Truss HD
8.	N/A		31.	6201230	Screw, #8 x 7/8" w/a #7 PH FT Head
9.	6200060	Screw, #8-32 x 1/2" Pan HD	32.	3421820	Spacer, Slide Sprt (Hinge Side)
10.	0169391	Bracket Grounding, SRVC	33.	6201240	Screw, #8X1-3/8" w/a #7 PH FT Head
11.	6201270	Screw, #8-18 x 5/8" PH PN SS-Gnd	34.	0168851	Duct, Back Srvc
12.	4152220	Pnl Assy, Srvc Acc	35.	6201240	Screw, #8 x 1-3/8" w/a #7 PH FT Hd
13.	6200720	Screw, #8-18 x 1/2 PH Truss HD	36.	6200060	Screw, #8-32 x 1/2" Pan HD
14.	4181720	Rack Assy, Wine	37.	3413600	Rack, Bot
15.	6201420	Screw	38.	6201290	Screw, #8-15 PH PN HD SS, White
16.	3516520	Molding, Wood Wine Rack	39.	6200010	Screw, #10-12 x 3/4" Pan HD
17.	4203100	Ctrl Panel Assy, Service 424	40.	4152000	Cvr Assy, Lwr (Incl. Power Cord)
18.	3560120	Kickplate Grille, Blk	41.	0260200	Bracket - Ref to Countertop
	3560100	Kickplate Grille, Slvr	42.	6200010	Screw, #10-12 x 3/4" Pan HD
19.	6200050	Screw, #10-12 x 1/2" Pan HD	43.	0168810	Anti Tip Bracket - 23-7/8"
20.	0163150	Drain Pan	44.	3511700	Housing, Lwr Light (No Lower Light)
21.	3570050	Leveling Leg, #18-3/8 x 1"	45.	6201270	Screw, #8-18 x 5/8" PH PN SS-Gnd
22.	3413551	Slide, Cabninet RH	46.	6201430	Panel Mount Hdwr Pk (Not pictured)
23.	3413552	Slide, Cabninet LH			



424-2 COSMETIC VIEW

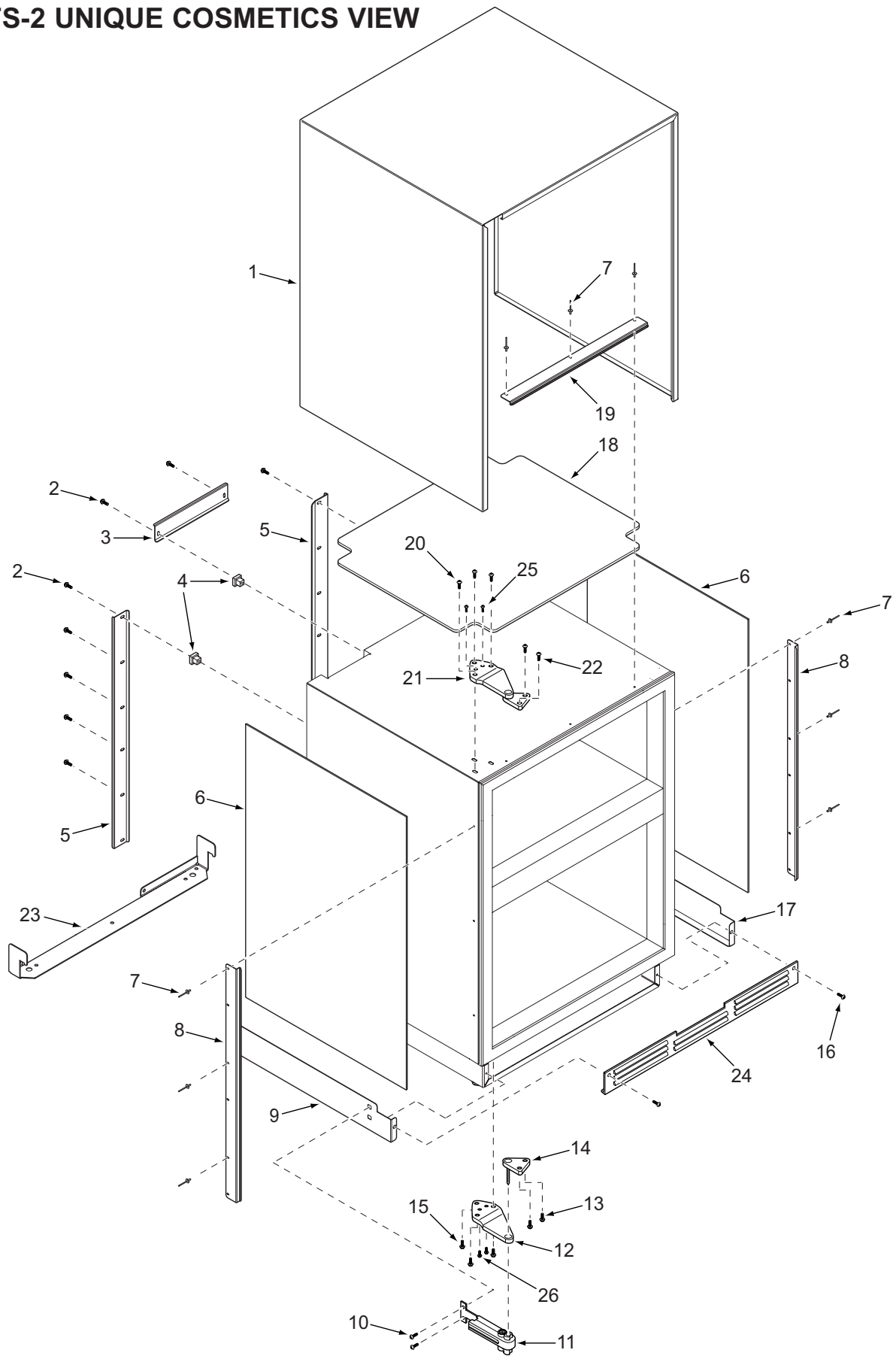




424FS-2 UNIQUE COSMETICS PARTS LIST

<u>Ref #</u>	<u>Part #</u>	<u>Description</u>	<u>Ref #</u>	<u>Part #</u>	<u>Description</u>
1.	0810101	Overlay, SS RH Srvc	14.	3541095	Hinge, Door Bottom, Silver - RH
	0810112	Overlay, SS LH Srvc		3541096	Hinge, Door Bottom, Silver - LH
2.	6200130	Screw, #8-18 x 3/4" Truss HD (10)	15.	6200780	Screw, #10-24 x 1/2" PH Hex Washer (3)
3.	4152100	Bracket, Back Top Assy	16.	6200120	Screw, #10-12 x 1/2" Truss HD
4.	6220320	Screw Grommet (10)	17.	4152131	Cover, Base - Handle Side - RH
5.	4152110	Bracket, Back Side (2)		4152132	Cover, Base - Handle Side - LH
6.	3220830	Foam Pad, 125 X 29.2 X 19.8 (2)	18.	3220820	Foam Pad, .25 X 22.8 X 19.5
7.	6180210	Pop Rivet, 1/8 X 3/16 (9)	19.	0860921	Bracket, Front TopSrvc
8.	0860911	Bracket, Front Side Srvc (2)	20.	6110540	Bolt, #10-24 x 1/2" Flat Socket HD (3)
9.	4152121	Cover, Base Assy. - Hinge Side - RH	21.	3541122	Hinge, Cabinet Top Assy Silver
	4152122	Cover, Base Assy. - Hinge Side - LH	22.	6110540	Bolt, #10-24 x 1/2" Flat Socket HD (2)
10.	6200330	Screw, #8-18 x 3/8" Pan Head (2)	23.	0860900	Bracket, Anti-Tip
11.	3540810	Door Closer	24.	3560110	Kickplate, Grille
12.	3541112	Hinge, Cabinet Bottom-Silver	25.	6200210	Screw, #8-32 x 1/2" Flat Head (2)
13.	6200780	Bolt, #10-24 x 1/2" Flat Socket HD (2)	26.	6201500	Screw, #10X3/4 Drill PH Hex (2)

424FS-2 UNIQUE COSMETICS VIEW



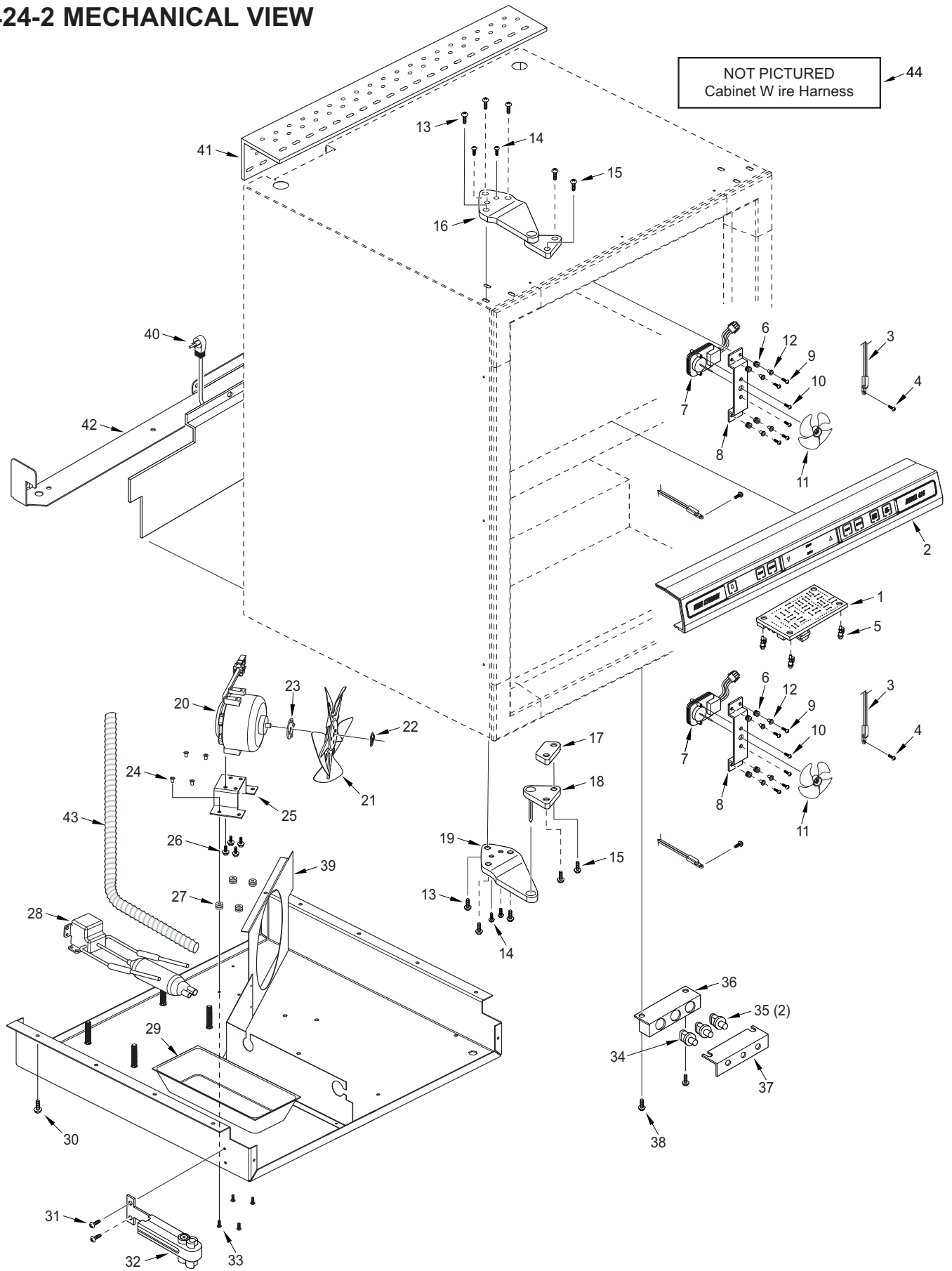


424-2 MECHANICAL PARTS LIST

Ref #	Part #	Description	Ref #	Part #	Description
1.	4204170	Control Board, Service 400	21.	3150940	Blade, Condenser Fan
2.	4203100	Control Panel Pkg, SRVC - 424	22.	6150410	Nut, 1/4-20
3.	4204150	Thermistor, ASM Srvc Pkg	23.	3210340	Neoprene Silencer, 7/8"
4.	6201270	Screw, #8-18 x 5/8" PH PN SS-Gnd	24.	6220290	Stand-Off, #6-32 (4)
5.	3450810	Circuit Board Support	25.	0261051	Brkt, Cond Fan Srvc (See SN Breaks)
6.	3220250	Grommet, Rubber-#M5351		0263131	Bracket, Cond. Srvc (See SN Breaks)
7.	4220801	Motor Assy, Evap Fan (Incl Brkt & Blade)	26.	6201580	Screw,#8-36 X 1/2 Nylon Patch (4)
8.	0212330	Bracket, Evap Fan Motor	27.	3220160	Grommet, 3/16" x 7/16" x 9/32"
9.	6201270	Screw, #8-18 x 5/8" PH PN SS-Gnd	28.	4204160	Refrigerant Valve Assembly
10.	6110270	Bolt, #10-32 x 1/4" RD HD	29.	0163150	Drain Pan
11.	3150640	Fan blade, Evaporator	30.	6200010	Screw, #10-12 x 3/4" Pan HD
12.	3520120	Brass Insert, Fan Bracket	31.	6200330	Screw, #8-18 x 3/8" Pan Head (2)
13.	6110540	Bolt, #10-24 x 1/2" Flat Socket HD (3)	32.	3540810	Closer, Door 150Lb
14.	6200210	Screw, #8-32 x 1/2" Flat Head (2)	33.	6200610	Screw, #6-32 x 3/8" PH Rd Hd, Zinc (4)
15.	6110540	Bolt, #10-24 x 1/2" Flat Socket HD (2)	34.	3060030	Light Switch, Normally Closed
	6110811	Bolt, #10-24X3/4 Ph Flat Hd, B (2)		3060031	Switch, Plunger N.C. Black
16.	3541121	Hinge, Cabinet Top Assy Black	35.	3060020	Fan Switch, Normally Open
	3541122	Hinge, Cabinet Top Assy Silver		3060021	Switch, PI unger N.O. Black
17.	3541131	Shim, Door Black (Ovelay Units)	36.	0862391	Bracket, Triple Switch Srvc
18.	3541093	Hinge, Door Bottom - RH Black	37.	0862380	Guard, Switch
	3541094	Hinge, Door Bottom - LH Black	38.	6200060	Screw, #8-32 x 1/2" Pan HD (2)
	3541095	Hinge, Door Bottom - RH Silver	39.	0862221	Shroud, Cond Fan Srvc
	3541096	Hinge, Door Bottom - LH Silver	40.	4152000	Cvr Assy, Lwr (Incl. Power Cord)
19.	3541110	Hinge, Cabinet Bottom- Black	41.	0168810	Anti Tip Bracket - 23-7/8"
	3541112	Hinge, Cabinet Bottom-Silver	42.	0860900	Bracket, Anti-Tip (for Model 424FS-2)
20.	3150930	Motor, Condenser 1 WATT	43.	1601400	Drain Tube, Wire - 1/2" x 72"
			44.	3025730	Wire Harness, Cabinet (Not Shown)



424-2 MECHANICAL VIEW



**424-2 SEALED SYSTEM PARTS LIST**

<u>Ref #</u>	<u>Part #</u>	<u>Description</u>
1.	4203230	Comp Pkg, Srvc Wine EMI30HER (Includes Valve Assembly)
2.	3112212	Electrical Assy, EMT30HSC Comp (Used w/Production EMT30HSC Comp)
	3112500	Capacitor, 12MF (Used w/Production EMT30HSC Comp)
	3112270	Term Cvr Spring, DC51C (Used w/Production EMT30HSC Comp)
	3111370	Relay, EMB 1351400 OR 213514008 (Used w/Service EMI30HER Comp)
	3111410	Overload, (4TM734LFB) (Used w/Service EMI30HER Comp)
3.	6150220	Nut, 5/16-18 Hex Zinc
4.	6240090	Lock Washer, 5/16"
5.	6240050	Flat Washer, 5/16"
6.	6160030	Spacer, 5/16 x 7/16 x 5/8"
7.	3150010	Rubber Grommet, Small, 5/8"
8.	4211540	Evap Assy (Includes Heat Exchanger) (See SN Breaks)
	4211541	Evap Assy, Srvc 424-2 (Includes Heat Exchanger) (See SN Breaks)
9.	6201270	Screw, #8-18 x 5/8" PH PN SS-Gnd
10.	3120300	Condenser (See SN Breaks)
	3120440	Condenser, Wire on Tube (See SN Breaks)
11.	4204160	Refrigerant Valve Assembly (Includes Drier)
12.	6200010	Screw, #10 -12 x 3/4" Pan HD
13.	0163150	Drain Pan
14.	6200110	Screw, #10 -12 x 5/8" Truss SS
15.	6150080	Nut-Flat, #10-24
16.	3014100	Suction Line Drier (Service Only)

424-2 SEALED SYSTEM VIEW

