

This Owner's Manual is provided and hosted by [Appliance Factory Parts](#).



# SUBZERO 427R Owner's Manual

[Shop genuine replacement parts for SUBZERO 427R](#)



[Find Your SUBZERO Refrigerator Parts - Select From 117 Models](#)

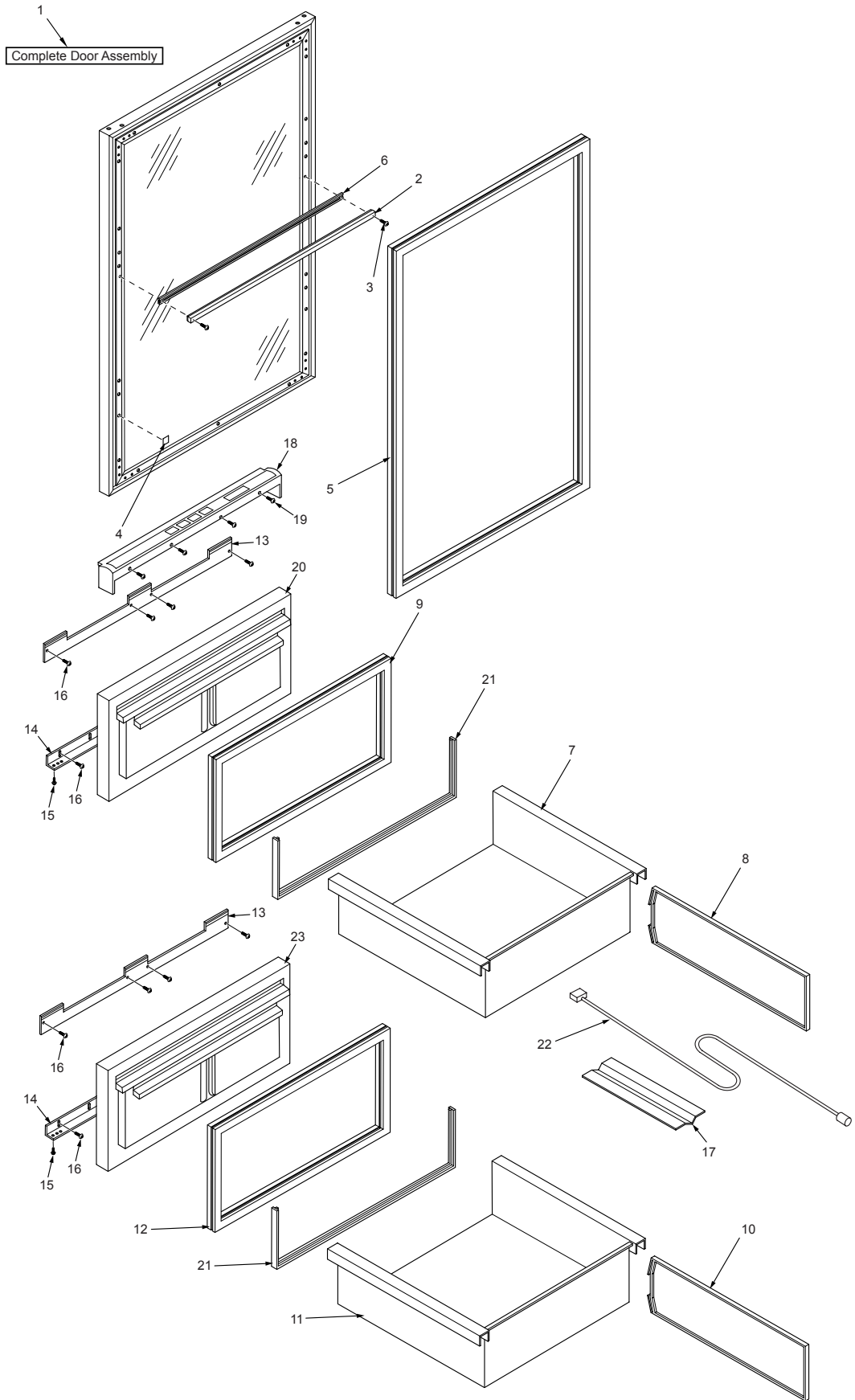
----- Manual continues below -----

**427R DOOR & DRAWER VIEW PARTS LIST**

1. 4132751 Glass Door Assy- RH (Does Not Include Hinges or Handle)
- 4132752 Glass Door Assy- LH (Does Not Include Hinges or Handle)
- 4134391 Door Assy, (High Altitude) -427R-G RH
- 4134392 Door Assy, (High Altitude) -427R-G LH
- 4133011 Door Assy, Solid - RH (Does Not Include Hinges or Handle)
- 4133012 Door Assy, Solid - LH (Does Not Include Hinges or Handle)
2. 3212030 Seal, Center
3. 6201360 Screw, #4 x 3/4" PH PAN HD TYPE A
4. 6230970 Tape, Black Poly
5. 3211970 Gasket, Door
6. 2813201 Holder, Compression Gasket 24.4
7. 4181930 Drawer Assy, Upper Beverage
- 4131760 Upper Drawer Tub (Includes Seal, Tub White)
8. 3601340 Upper Drawer Divider
9. 3211520 Upper Drawer Gasket
10. 3601350 Lower Drawer Divider
11. 4181940 Drawer Assy, Lower Beverage
- 4131780 Lower Drawer Tub (Includes Seal, Tub White)
12. 3211540 Lower Drawer Gasket
13. 0183580 Drawer Panel Bracket-Upper
14. 0183590 Drawer Panel Bracket-Lower
15. 6200780 Screw, #10-24 x 1/2" PH Hex Washer
16. 6200720 Screw, #8-18 x 1/2 PH Truss HD
17. 3421530 Channel, Wire 17.225"
18. 4161550 Drawer Control Panel Assy (See SN Breaks)
- 4203380 Control Panel Assy, Drawer (See SN Breaks)
19. 6200700 Screw, #6-20 x 5/8" PH Flat HD SS
20. 4131730 Upper Drawer Front Assembly
21. 3211560 Seal, Tub White 37-5/8"
22. 3022950 Cable Assy, Control
23. 4131740 Lower Drawer Front Assy

**NOTE:** Door panels on this model are a sales accessory. For part numbers of complete door panel sets or components of the door panel sets, contact the factory.

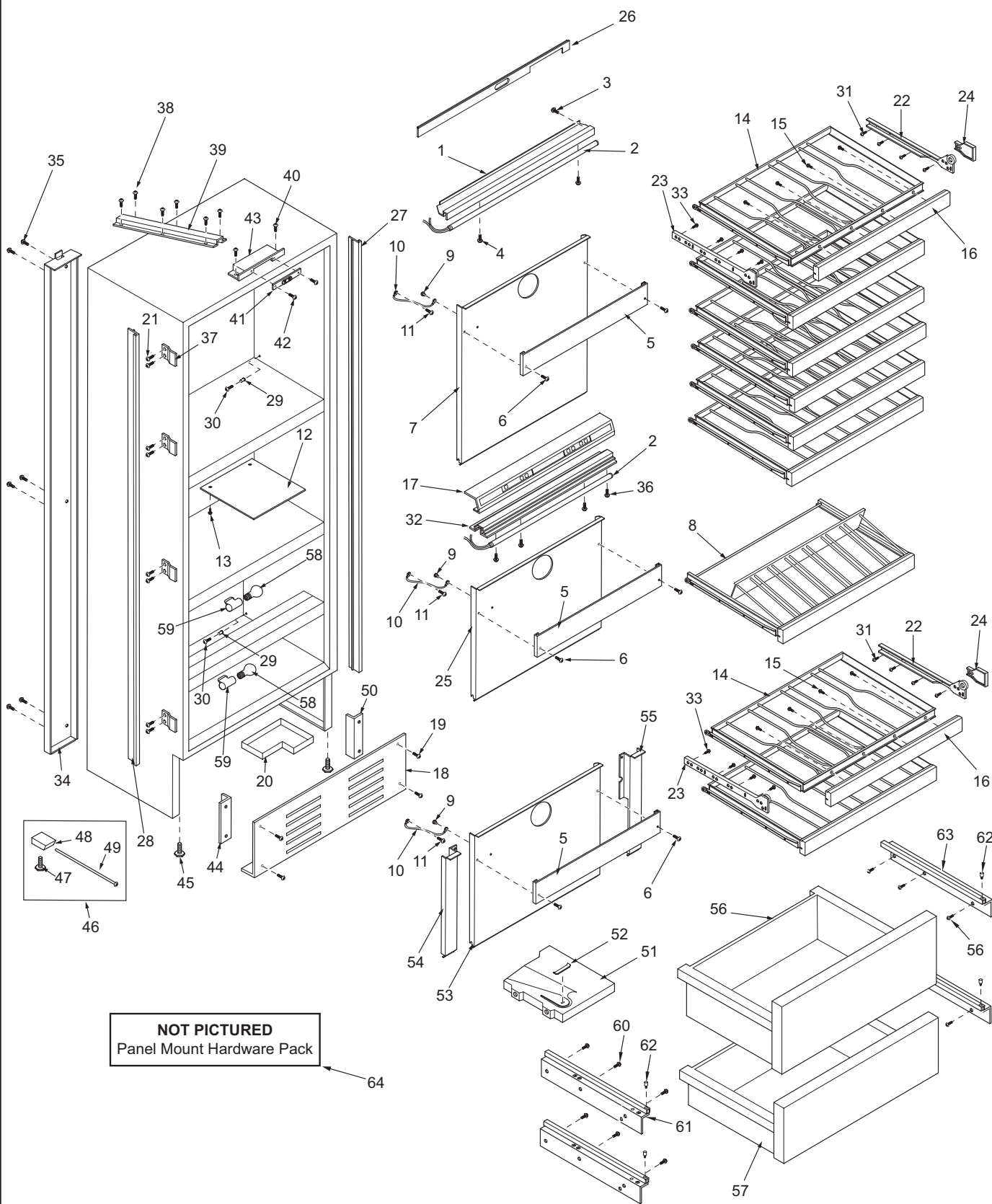
**427R DOOR & DRAWER VIEW**



427R COSMETIC VIEW PARTS LIST

|     |         |                                    |     |         |   |
|-----|---------|------------------------------------|-----|---------|---|
| 1.  | 3511680 | Extrusion, Upper Light             | 33. | 6201230 | Screw, #8 x 7/8" w/a #7 PH FT Head                        |
| 2.  | 3030150 | Light Strip, 15 WATT               | 34. | 0169160 | Duct, Back  |
| 3.  | 6201270 | Screw, #8-18 x 5/8" PH PN SS-Gnd   | 35. | 6201240 | Screw, #8 x 1-3/8" w/a #7 PH FT Hd                        |
| 4.  | 6201310 | Screw, #8 x 1-3/4" Flat PH HD      | 36. | 6201270 | Screw, #8-18 x 5/8" PH PN SS-Gnd                          |
| 5.  | 0212340 | Cover, Evap Fan                    | 37. | 3421510 | Bracket-Unit to Cabinetry                                 |
| 6.  | 6201010 | Screw, #8-15 x 2" Pan Head         | 38. | 6200010 | Screw, #10-12 x 3/4" Pan HD                               |
| 7.  | 0201070 | Evap Cover, UPR-LH UNIT            | 39. | 0169290 | Raceway, Wire   |
|     | 0201080 | Evap Cover, UPR-RH UNIT            | 40. | 6200010 | Screw, #10-12 x 3/4" Pan HD                               |
| 8.  | 4181770 | Rack Assy, Display Wine            | 41. | 3450920 | Bracket, Switch Mnt (See SN Breaks)                       |
| 9.  | 6180010 | Pop Rivet, 1/8"                    |     | 3450980 | Bracket, Switch Mnt (See SN Breaks)                       |
| 10. | 4323860 | Ground Wire Assy                   | 42. | 6200210 | Screw, #8-32 x 1/2" Flat Head                             |
| 11. | 6201270 | Screw, #8-18 x 5/8" PH PN SS-Gnd   | 43. | 0169260 | Switch Enclosure (See SN Breaks)                          |
| 12. | 0184410 | Panel, Srvc/Access (See SN Breaks) |     | 0261710 | Box, Switch RH (See SN Breaks)                            |
|     | 4152220 | Pnl Assy, Srvc Acc (See SN Breaks) |     | 0261720 | Box, Switch LH (See SN Breaks)                            |
| 13. | 6200720 | Screw, #8-18 x 1/2 PH Truss HD     | 44. | 0167662 | Kickplate Bracket - LS                                    |
| 14. | 4181730 | Wine Rack Assembly                 | 45. | 3570060 | Front Leveler Bolt  |
| 15. | 6201420 | Screw                              | 46. | 4202000 | Rear Leveler Assembly                                     |
| 16. | 3516530 | Molding, Wood Wine Rack            | 47. | N/A     | Rear leveler Foot - (See 4202000)                         |
| 17. | 4203120 | Control Panel Pkg, SRVC - 427      | 48. | N/A     | Leveler Assy, Rear - (See 4202000)                        |
| 18. | 3530430 | Kickplate/Grille                   | 49. | 3421500 | Adjusting Rod   |
| 19. | 6200050 | Screw, #10-12 x 1/2" Pan HD        | 50. | 0167661 | Kickplate Bracket - RS                                    |
| 20. | 0168880 | Pan, Drain                         | 51. | 0233490 | Wire Tray   |
| 21. | 6200720 | Screw, #8-18 x 1/2 PH Truss HD     | 52. | 3450780 | Wire Clip   |
| 22. | 3413551 | Cabinet Slide, RH                  |     | 6150760 | Wire Fastener   |
| 23. | 3413552 | Cabinet Slide, LH                  | 53. | 0201020 | Evap Cover, LWR   |
| 24. | 3421830 | Slide Spacer                       | 54. | 0201120 | Evap Support, LWR LH                                      |
| 25. | 0201050 | Evap Cover, MDL-LH UNIT            | 55. | 0201110 | Evap Support, LWR RH                                      |
|     | 0201060 | Evap Cover, MDL-RH UNIT            | 56. | 4181930 | Drawer Assy, Upper Beverage (See Door View for Breakdown) |
| 26. | 3516451 | Molding, Top RH (See SN Breaks)    | 57. | 4181940 | Drawer Assy, Lower Beverage (See Door View for Breakdown) |
|     | 3516680 | Molding, Top RH (See SN Breaks)    | 58. | 3030060 | Light Bulb, 25 Watt                                       |
|     | 3516452 | Molding, Top LH (See SN Breaks)    | 59. | 3050010 | Light Sckt, 3/4 Sngl (See SN Breaks)                      |
|     | 3516680 | Molding, Top LH (See SN Breaks)    |     | 3050220 | Socket, Light Sngl (See SN Breaks)                        |
| 27. | 3516010 | Side Molding                       | 60. | 6201140 | Screw, 1/4-20 x 1/2" Sems But HD                          |
| 28. | 3516010 | Side Molding                       | 61. | 3412032 | Drawer Slide-LS   |
| 29. | 3520120 | Brass Insert                       | 62. | 3550720 | White Thread Pin  |
| 30. | 6200130 | Screw, #8-18 x 3/4" Truss HD       | 63. | 3412031 | Drawer Slide-RS   |
| 31. | 6201230 | Screw, #8 x 7/8" w/a #7 PH FT Head | 64. | 6201430 | (Not pictured) Panel Mnt Hrdwr Pack                       |
| 32. | 3511710 | Housing, Lower Light               |     |         |   |

**427R COSMETIC VIEW**



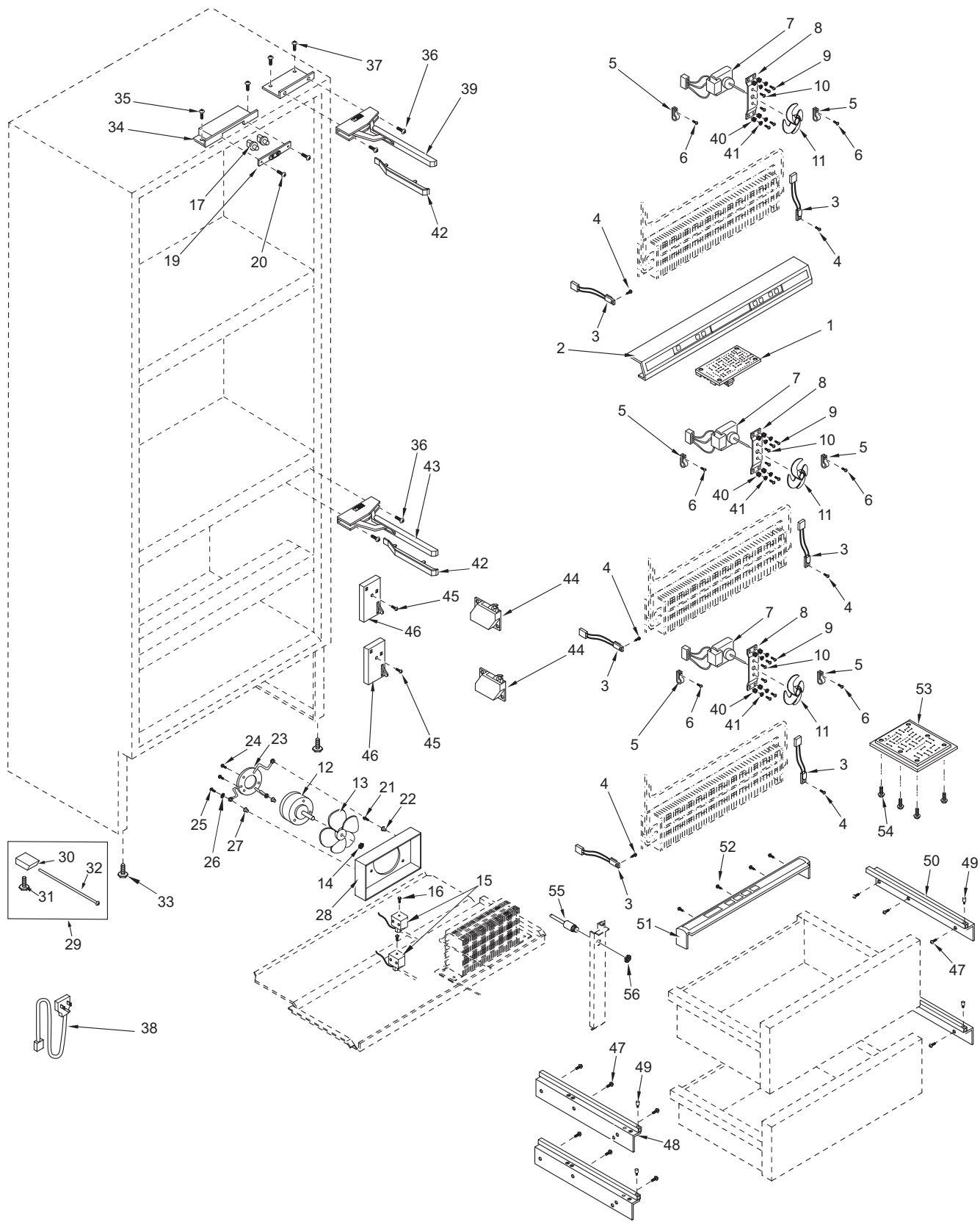
427R MECHANICAL VIEW PARTS LIST

- |     |         |  |     |         |                                     |
|-----|---------|--|-----|---------|-------------------------------------|
| 1.  | 4203140 | Control Board PKG, SRVC 400                                      | 30. | N/A     | Rear leveler Foot - (See 4202000)   |
| 2.  | 4203120 | Control Panel Pkg, SRVC - 427R                                   | 31. | N/A     | Leveler Assy, Rear - (See 4202000)  |
| 3.  | 3014350 | Thermistor   | 32. | 3421500 | Adjusting Rod                       |
| 4.  | 6201270 | Screw, #8-18 x 5/8" PH PN SS-Gnd                                 | 33. | 3570060 | Front Leveler Bolt                  |
| 5.  | 6120030 | Tube Clamp, Plastic 1/4"   | 34. | 0169260 | Switch Enclosure (See SN Breaks)    |
| 6.  | 6201270 | Screw, #8-18 x 5/8" PH PN SS-Gnd                                 |     | 0261710 | Box, Switch RH (See SN Breaks)      |
| 7.  | 4220490 | Fan Motor Assy (Incl. Brkt & Screws)                             |     | 0261720 | Box, Switch LH (See SN Breaks)      |
| 8.  | 0212330 | Bracket, Evap Fan Motor  | 35. | 6200010 | Screw, #10-12 x 3/4" Pan HD         |
| 9.  | 6201270 | Screw, #8-18 x 5/8" PH PN SS-Gnd                                 | 36. | 6201140 | Screw, 1/4-20 x 1/2" Sems But HD    |
| 10. | 6110270 | Bolt, #10-32 x 1/4" RD HD  | 37. | 6200780 | Screw, #10-24 x 1/2" PH Hex Washer  |
| 11. | 3150640 | Fan blade, Evaporator  | 38. | 4324800 | Retractor Assy, Power Cord          |
| 12. | 4200740 | Condenser Fan Motor Components<br>(Blade & Bracket NOT included) | 39. | 3541031 | Top Hinge Assy - RH                 |
| 13. | 3150660 | Condenser Fan Blade  |     | 3541032 | Top Hinge Assy - LH                 |
| 14. | 6150410 | Nut, 1/4-20  | 40. | 3220250 | Grommet, Rubber-#M5351              |
| 15. | 4203060 | Valve/Sol Components, UPR-Wine                                   | 41. | 3520120 | Brass Insert, Fan Bracket           |
|     | 4203070 | Valve/Sol Components, LWR-Wine                                   | 42. | 3541050 | Hinge Cover                         |
| 16. | N/A     | (Included w/ Valve/Sol Components)                               | 43. | 3541041 | Lower Hinge Assy - RH               |
| 17. | 3060030 | Light Switch, Normally   |     | 3541042 | Lower Hinge Assy - LH               |
| 18. | 3060020 | Fan Switch, Normally Open  | 44. | 3541020 | Drawer Closer                       |
| 19. | 3450920 | Bracket, Switch Mnt (See SN Breaks)                              | 45. | 6200280 | Screw, #8-18 x 1" Pan Head          |
|     | 3450980 | Bracket, Switch Mnt (See SN Breaks)                              | 46. | 4202580 | Reed Switch                         |
| 20. | 6200210 | Screw, #8-32 x 1/2" Flat Head                                    | 47. | 6201140 | Screw, 1/4-20 x 1/2" Sems But HD    |
| 21. | 6200450 | Screw, #8 x 1" Type AR Flat                                      | 48. | 3412032 | Drawer Slide-LS                     |
| 22. | 3420670 | Screw Spacer   | 49. | 3550720 | White Thread Pin                    |
| 23. | 3150670 | Bracket, Cond Fan - Wine   | 50. | 3412031 | Drawer Slide-RS                     |
| 24. | 6200490 | Screw, #8-32 x 3/8" Slotted Hex T25                              | 51. | 4161550 | Drwr Cntrl Pnl Assy (See SN Breaks) |
| 25. | 6201280 | Machine Screw, #10-32 x 1-1/4"                                   |     | 4203380 | Drwr Cntrl Pnl Assy (See SN Breaks) |
| 26. | 6240350 | Fender Washer, .25x1.25x.06                                      | 52. | 6200700 | Screw, #6-20 x 5/8" PH Flat HD SS   |
| 27. | 6150330 | Well Nut, .75D x .804", #10-32                                   | 53. | 4203240 | Pckg, Cntrl Brd Ref (See SN Breaks) |
| 28. | 0169340 | Fan Shroud, Condenser  |     | 4203290 | Pckg, Cntrl Brd Ref (See SN Breaks) |
| 29. | 4202000 | Rear Leveler Assembly  | 54. | 6201130 | Screw, #8x 1/2" PH FL HD SS         |
|     |         |  | 55. | 4202770 | Cabinet W/H Rpair Pkg               |
|     |         |  | 56. | 6150800 | Plastic Hex Nut, 5/8-27 UNS-2A      |

**Not Pictured**

- |         |                                     |
|---------|-------------------------------------|
| 3021890 | Wire Harness,Cabinet - Ref. Section |
| 3021920 | Wire Harness,Cabinet - Wine Section |

**427R MECHANICAL VIEW**



**427R SEALED SYSTEM VIEW PARTS LIST**

1. 4203060 Valve/Sol Components, UPR-Wine  
4203070 Valve/Sol Components, LWR-Wine
2. 6160030 Spacer, 5/16 x 7/16 x 5/8"
3. 3150010 Rubber Grommet, Small, 5/8"
4. 6240050 Flat Washer, 5/16"
5. 6200140 Screw, #8-15 x 3/8" Truss HD
6. 6120030 Tube Clamp, Plastic 1/4"
7. 3014420 Drier, Service Wine
8. 6240050 Flat Washer, 5/16"
9. 6240090 Lock Washer, 5/16"
10. 6150220 Nut, 5/16-18 Hex Zinc
11. 4203230 Compressor Pkg. SRVC-WINE (EMI30HER)  
3111370 Relay, (1351400)  
3111410 Overload, (4TM734LFB)
12. 6200110 Screw, #10-12 x 5/8" Truss SS
13. 6201270 Screw, #8-18 x 5/8" PH PN SS-Gnd
14. 4211570 Evaporator Assy, UPR (Includes Heat Exchanger)  
3130510 Evaporator, 4 Pass  
4251460 Heat Exchanger
15. 0862330 Bracket, Solenoid
16. 6200330 Screw, #8-18 x 3/8" Pan Head
17. 3120350 Condenser
18. 4201880 Compressor, Refrig. (EMI30HER)  
3111370 Relay, (1351400)  
3111410 Overload, (4TM734LFB)
19. 3014230 Filter-Drier, High Side
20. 4211580 Evaporator Assy, MDL (Includes Heat Exchanger)  
3130510 Evaporator, 4 Pass  
4251470 Heat Exchanger
21. 4211590 Evaporator Assy, LWR (Includes Heat Exchanger)  
3130510 Evaporator, 4 Pass  
4251480 Heat Exchanger
22. 6150080 Nut-Flat, #10-24
23. 0140360 Tray, Unit

**427R SEALED SYSTEM VIEW**

