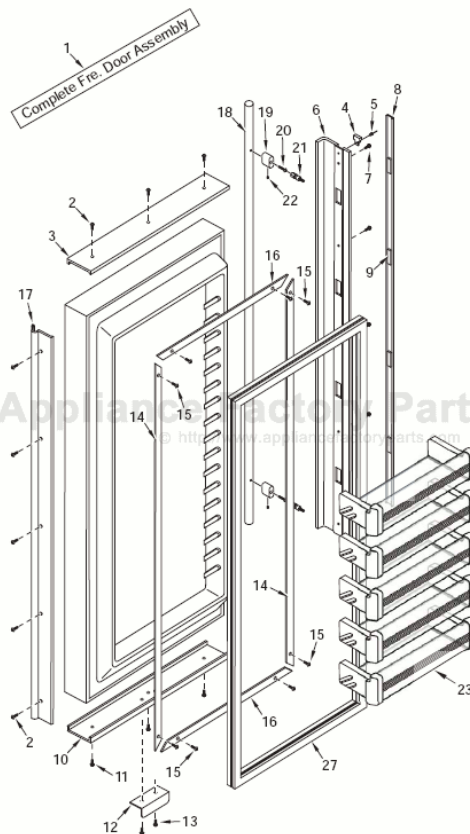


This Owner's Manual is provided and hosted by [Appliance Factory Parts](http://www.appliancefactoryparts.com).



# SUBZERO 601F-3 Owner's Manual

[Shop genuine replacement parts for SUBZERO 601F-3](#)



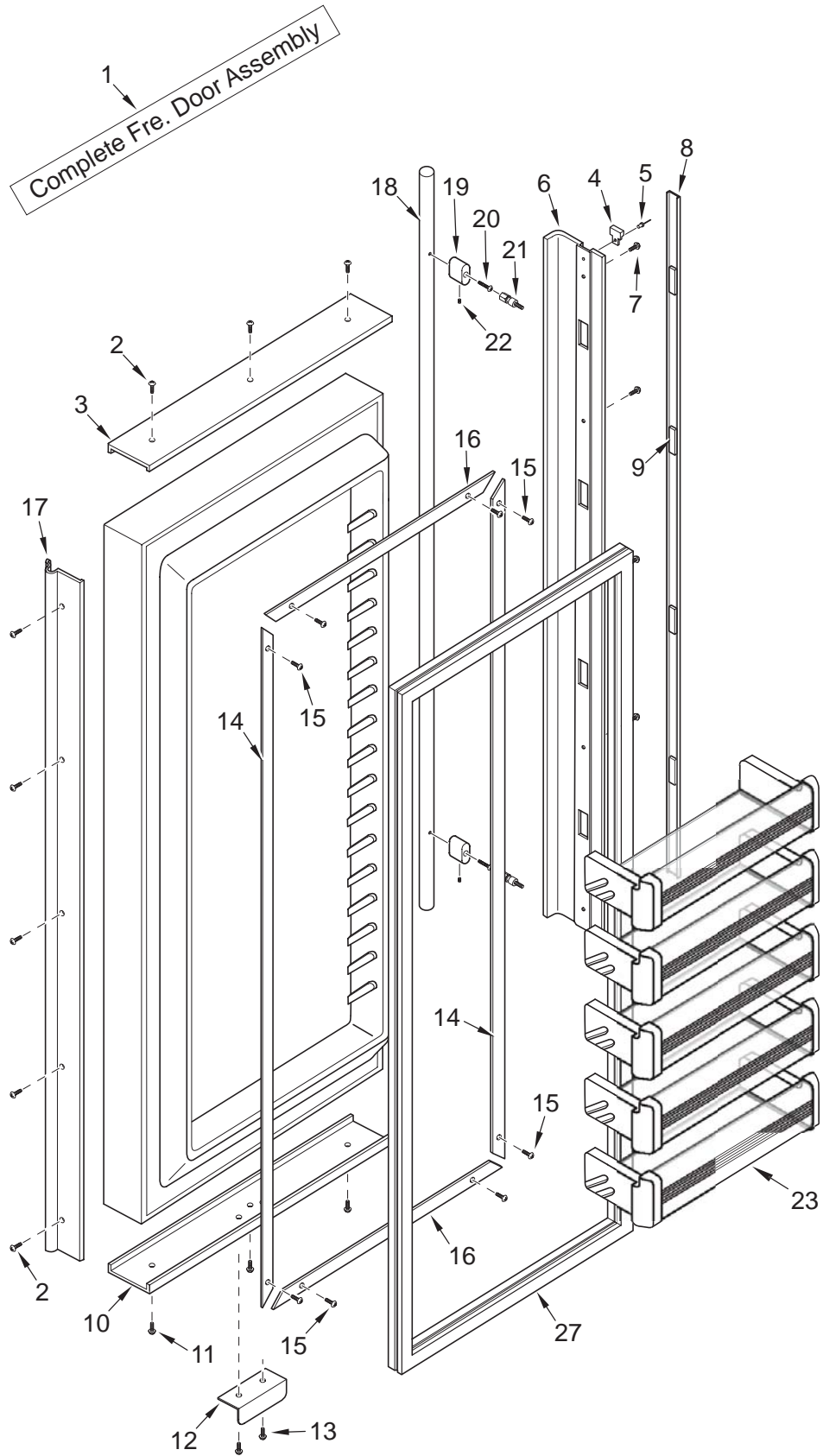
[Find Your SUBZERO Refrigerator Parts - Select From 117 Models](#)

----- Manual continues below -----

**601F-3 DOOR PARTS LIST**

<u>Ref #</u>	<u>Part #</u>	<u>Description</u>
1	4132943	Door Assy, 601F-RH (Framed/Overlay)
	4132944	Door Assy, 601F-LH (Framed/Overlay)
	4134523	Door Assy, 601F/S-RH SS
	4134524	Door Assy, 601F/S-LH SS
	4135673	Door Assy, SRVC, 601F-RH, B
	4135674	Door Assy, SRVC, 601F-LH, B
	4135873	Door Assy, SRVC, 601F-RH, P
	4135874	Door Assy, SRVC, 601F-LH, P
<b>NOTE: Door Assy's do NOT incl. hinges, handle or switch depressor.</b>		
2	6200720	Screw, #8-18 x 1/2 Ph Truss Hd
	6200721	Screw, #8-18X1/2 Ph Low Prfl, B
3	2230608	Door Trim, Top LH
	2230609	Door Trim, Top RH
4	3413340	Handle/Trim End Cap
5	6180160	Rivet, Open End Blind, 1/8 X 3/16
6	4132230	Door Handle Assy (Framed)
	4132330	Handle-Side Door Trim (Overlay)
7	6201300	Tapping Screw, #8 x 1/2
8	4132370	Handle/Trim Molding Assy
9	3451140	Magnet, Trim Strip - 3"
10	2230606	Door Trim, Top RH or Bottom LH
	2230607	Door Trim, Top LH or Bottom RH
11	6200720	Screw, #8-18 x 1/2 Ph Truss Hd
	6200721	Screw, #8-18X1/2 Ph Low Prfl, B
12	0185180	Depressor, Door Switch-Silver
	3421990	Depressor, Switch (Black)
13	6201300	Tapping Screw, #8 x 1/2
14	3420250	Gasket Retainer, Side, 57.875
15	6200410	Screw, #8 x 1/2 Slot Head Hex
16	3420220	Gasket Retainer, 33.312
17	3511310	Door Trim, Hinge Side - Mitered Corner
	3511410	Door Trim, Hinge Side - (SS Model)
	3512221	Trim, Door Hinge Side-Carbon
	3512222	Trim, Door Hinge Side-Platinum
18	4133690	Handle Assy, SS OBR Standoffs (Incl. Stand-offs)
	4133691	Handle Assy,OBR Standoff,B (Incl. Stand-offs)
	4133692	Handle Assy,OBR Standoff,P (Incl. Stand-offs)
19	3512150	Standoff, SS Oval, Door
	3512151	Standoff,Oval,B
	3512152	Standoff,Oval,P
20	6110540	Bolt, #10-24 x 1/2 Flat Socket HD
21	3511520	Handle Mounting Stud
22	6110730	Set Screw #10-32 x 1/4 SS Cone
23	4330480	Door Shelf Assy
24	3212100	Door Gasket

**601F-3 DOOR VIEW**

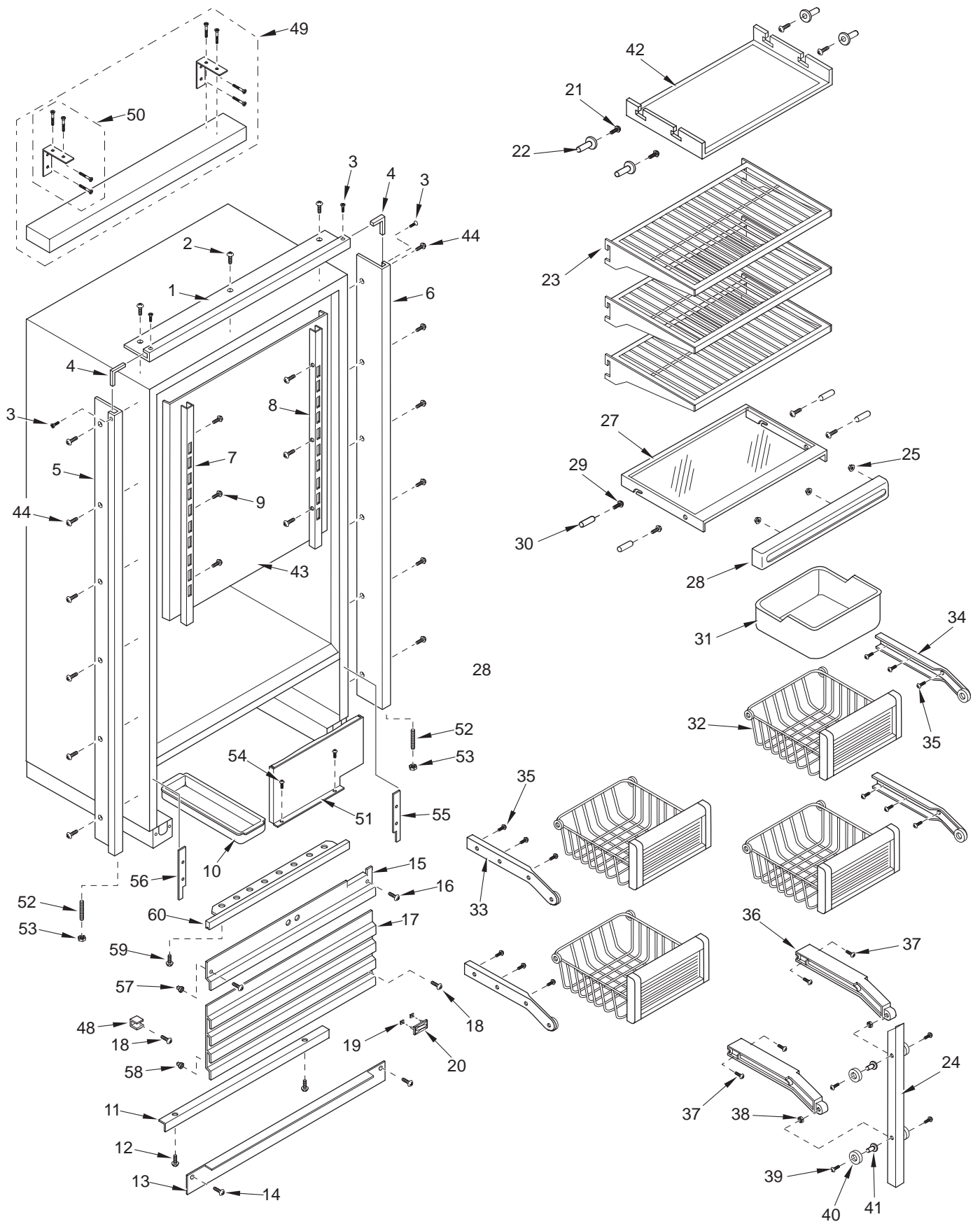




601F-3 COSMETIC PARTS LIST

Ref #	Part #	Description	Ref #	Part #	Description
1	2234015	Frame, Main Top-RH	18	6200790	Screw, #8-18 X 1/2" Black
	3517013	Frame, Main Top 36-RH,B		6201460	Screw, #8-18 X 3/4 A Fil Black
	3517038	Frame, Main Top 36-RH,P	19	6150140	Spring Grip Nut, 1/8
	2234016	Frame, Main Top-LH	20	3580210	Name Plate, Stick-on
	3517014	Frame, Main Top 36-LH,B		3580211	Nameplate, B, P
	3517039	Frame, Main Top 36-LH,P		3580230	Name Plate w/ Pegs
2	6200010	Screw, #10-12 x 3/4 Pan HD		3580270	Logo, Stainless 3 1/2" (Stick-on)
3	6200070	Screw, #4-24 x 3/8" Flat HD.		3580280	Logo, Framed 3 1/2" (w/ Pegs)
	6200071	Screw, #4-24X3/8 Flat Hd, B		3580290	Logo, Carbon 3 1/2", (Stick-on)
4	2210701	Main Frame Angle	21	6201330	Screw, #8 PH-Pan Head 1"
5	2234004	Frame, Main Left-RH	22	3520420	Insert / Diffuser Stand-off
	3517004	Frame, Main Side Left-RH, B	23	3601880	Freezer Wire Shelf
	3517029	Frame, Main Side Left-RH, P	24	0234010	Center Basket Slide Support
	2234005	Frame, Main Left-LH	25	6150820	Palnut, .25
	3517005	Frame,Main Side Left-LH,B	26	NA	
	3517030	Frame,Main Side Left-LH, P	27	4181550	Freezer Glass Shelf Assy. (Incl. Front)
6	2234003	Frame,Main Right-RH	28	3413030	Freezer Glass Shelf Front
	3517003	Frame,Main Side Right-RH,B	29	6200280	Screw, #8-18 x 1 Pan Head
	3517028	Frame,Main Side Right-RH, P	30	6220430	Screw Grommet
	2234006	Frame,Main Side-LH	31	3411320	Ice Bucket
	3517006	Frame, Main Side Right-LH, B	32	4181570	Freezer Basket Assy
	3517031	Frame, Main Side Right-LH, P	33	4180972	Freezer Basket Slide Assy - Left
7	3601842	Shelf Ladder, Left	34	4180971	Freezer Basket Slide Assy - Right
8	3601841	Shelf Ladder, Right	35	6200450	Screw, #8 x 1 Type AR Flat
9	6200710	Screw, #8-18 x 3/8 Fillister HD	36	3411280	Center Basket Slide
10	0166110	Drain Pan	37	6200130	Screw, #8-18 x 3/4 Truss HD
11	0169790	Front Rail	38	6150020	Nut-Hex, #10-32
12	6110020	Bolt, #10-24 x 3/8 Truss HD	39	6200740	Screw, #10-32 x 11/16 PH Flat HD UC
13	0169520	Kickplate	40	3421160	Basket Slide Roller
	0167820	Kickplate, Stainless Steel		3421170	Freezer Basket Slide Roller, Wide
	0167821	Kickplate,Solid 36",B	41	3430080	Roller Bushing
	0167822	Kickplate,Solid 36",P	42	4161630	Freezer Light Diffuser Assembly
14	6200050	Screw, #10-12 Pan Hd	43	0234510	Evaporator Cover
	6200720	Screw, #8-18x1/2 Ph Tr Hd (SS Model)	44	6201550	Screw, #8-18 Lw Prfl
15	2233901	Upper Grille - RH (Framed / Overlay)	45	NA	
	0261281	Cover, Grille RH (SS)	46	NA	
	3517101	Upper Grille - RH,B	47	NA	
	3517103	Upper Grille - RH,P	48	3450910	Clip, Grille
	2233902	Upper Grille - LH (Framed / Overlay)	49	4201320	Blocking Components, 36"
	0261282	Cover, Grille LH (SS)	50	4201340	Blocking Hardware Package
	3517102	Upper Grille - LH,B	51	4281060	Shroud Assy, Comp
	3517104	Upper Grille - LH,P	52	3550190	Bottom Hinge Stud
16	6200720	Screw, #8-18 x 1/2 PH Truss HD	53	6150200	Nut, 1/4-20 Hex
	6201510	Screw, #8-18 X 3/4 PH Truss HD	54	6201270	Screw, #8-18 x 5/8" PH PN SS-Gnd
17	4242250	Lwr Grille Section (Framed / Overlay)	55	3530881	Grille, Spacer RH
	4242380	Grille Assy, SS	56	3530882	Grille, Spacer LH
	3530581	Grille,Louver Section,B	57	6220320	Screw Grmt
	3530582	Grille,Louver Section,P	58	6220050	Screw Grmt,1/2X5/8
			59	6201550	Screw, #8-1/8 Low Profile
			60	3516670	Trim, Grille Cover (SS)

**601F-3 COSMETIC VIEW**

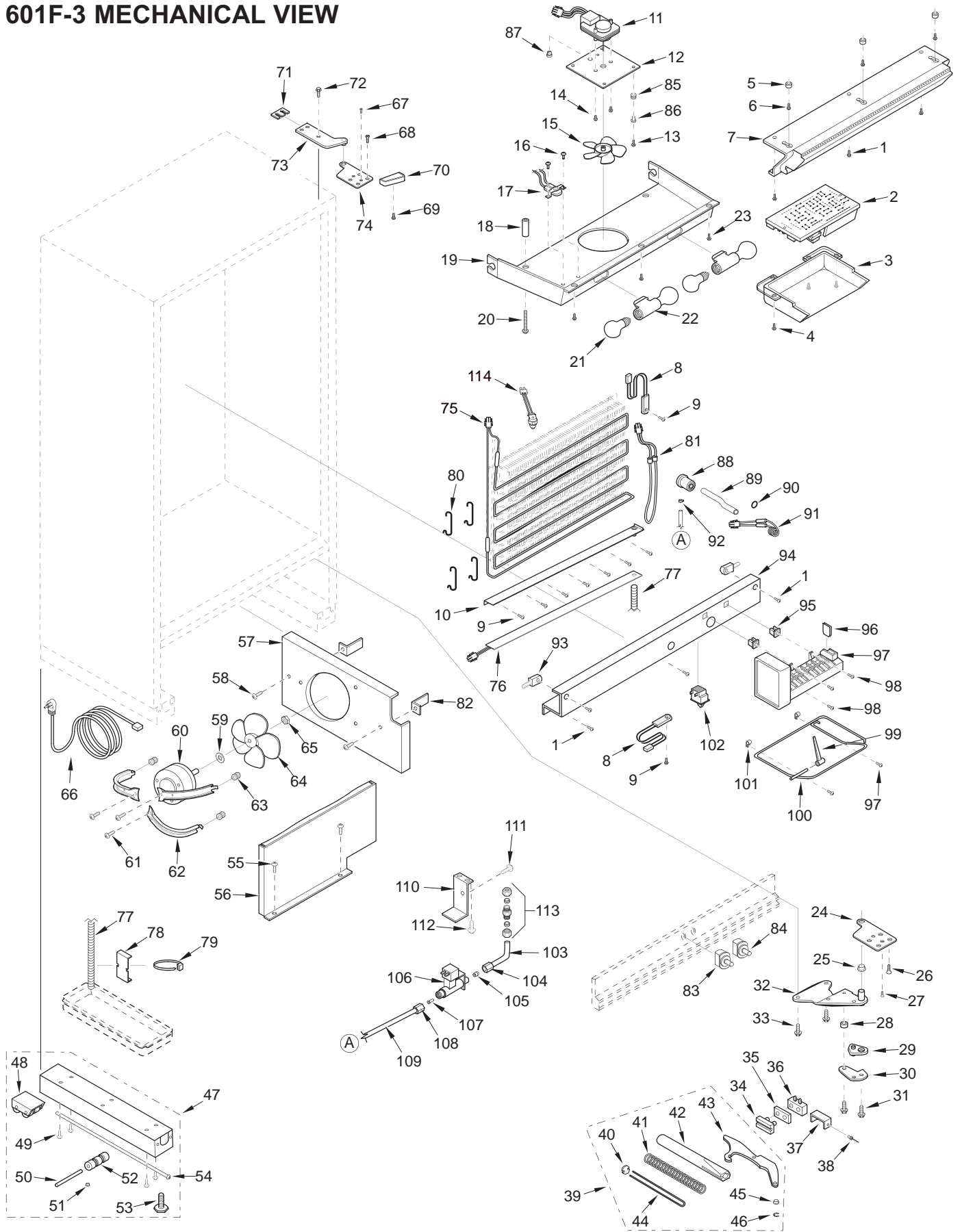




## 601F-3 MECHANICAL PARTS LIST

Ref #	Part #	Description	Ref #	Part #	Description
1	6201270	Screw, #8-18 x 5/8" PH PN SS-Gnd	55	6201270	Screw, #8-18 x 5/8" PH PN SS-Gnd
2	4203790	Control Board	56	4281060	Shroud Assy, Comp
3	4152050	Cover Assy, Control	57	0262110	Shroud, Cond Fan
4	6201270	Screw, #8-18 x 5/8" PH PN SS-Gnd	58	6200010	Screw, #10-12 x 3/4" Pan HD
5	6160240	Nylon Spacer	59	3210340	Neoprene Silencer, 7/8"
6	6200720	Screw, #8-18 x 1/2 PH Truss HD	60	4200740	Motor Pkg, Cond Fan (blade not incl.)
7	4161672	Control Panel Assy	61	6200430	Screw, #8-18x1/2 Ph Pan Hd
8	4204150	Thermistor, ASM Srvc Pkg	62	0261150	Brkt, Cond Mounting (3)
9	6201270	Screw, #8-18 x 5/8" PH PN SS-Gnd	63	3220360	Grommet, Mounting Bracket
10	4190270	Drain Trough (w/o htr)	64	3150800	Blade, Condenser Forward-SW
11	4201770	Evap. Fan Motor Pkg. (blade not Incl.)	65	6150410	Nut, 1/4-20
12	0211620	Refrigerator Fan Bracket	66	3025560	Cord Assy, Power Supply
13	6200130	Screw, #8-18 x 3/4" Truss HD	67	6200390	Screw, #6 x 3/8" T25 Flat Head PH
14	6110270	Bolt, #10-32 x 1/4" RD HDDS90	68	6110540	Bolt, #10-24 x 1/2" Flat Socket HD
15	3150520	Fan Blade, 4", 4 prop	69	6200140	Screw, #8-15 x 3/8" Truss HD
16	6180010	Pop Rivet, 1/8"	70	3541017	Top Cabinet Hinge Cover, RH
17	3082140	Light Terminator	3541211	Cover, Top Cabinet Hinge-RH, B	
18	6220540	Screw Grommet/Stand-off, 1.375	3541213	Cover, Top Cabinet Hinge-RH, P	
19	4161640	Fre Fan Shroud Assembly	3541018	Top Cabinet Hinge Cover, LH	
20	6201010	Screw, #8-15 x 2" Pan Head	3541212	Cover, Top Cabinet Hinge-LH, B	
21	3030030	Light Bulb, 40 Watt	3541214	Cover, Top Cabinet Hinge-LH, P	
22	3050250	Skt, Light MBase Dbl	71	0168680	Shim - Hinge
23	6201270	Screw, #8-18 x 5/8" PH PN SS-Gnd	72	6110070	Bolt, 1/4-20 x 3/4" Spinlock Zinc
24	4151241	Door Hinge, Bottom RH	73	4151271	Cabinet Hinge Assy, Upper RH
4151243	Hinge Assy, Bot Door-RH, B	4151273	Hinge Assy, Upr Cab-RH, B		
4151242	Door Hinge, Bottom LH	4151272	Cabinet Hinge Assy, Upper LH		
4151244	Hinge Assy, Bot Door-LH, B	4151274	Hinge Assy, Upr Cab-LH, B		
25	3421270	Hinge Bearing, 3/8" x 5/8"	74	4151471	Door Hinge Assy, Top RH
3421271	Bearing, Door, B	4151472	Door Hinge Assy, Top LH		
26	6110540	Bolt, #10-24 x 1/2" Flat Socket HD	75	3070040	Heater, Defrost
27	6200390	Screw, #6 x 3/8" T25 Flat Head PH	76	3013530	Drain Trough Heater
28	6160220	Steel Spacer	77	1601400	Drain Tube, Wire - 1/2" x 72"
6160221	Spacer, Steel 13SP094, B	78	0261160	Bracket, Drain Tube	
29	DS90	Door Stop-90 Degree (Sales Acc.)	79	6120170	Locking Cable Tie, Red, 11-1/2"
DS90/B	Stop, Door Kit 90 Degree, B (Sales Acc.)	80	1801100	Heater Clip	
DS105	Door Stop-105 Degree (Sales Acc.)	81	3013540	Drain Tube Heater	
DS105/B	Stop, Door Kit 105 Degree, B (Sales Acc.)	82	3450290	Angle Bracket	
30	0183960	Cabinet Hinge Stiffener	83	3060030	Light Switch, N/C (White)
0183961	Cabinet Hinge Stiffener, B	3060031	Switch, Plunger N.C. Black		
31	6110450	Bolt, 1/4-20 x 1/2" Whiz Lock	84	3060020	Fan Switch, N/O (White)
6110451	Bolt, 1/4-20 X 9/16 Whiz Lock, B	3060021	Switch, Plunger N.O. Black		
32	4151871	Bottom cabinet Hinge Assembly - RH	85	3220250	Grommet, Rubber-M5351
4151873	Hinge Assy, Bot Cabnt-RH, B	86	3520410	Brass Insert, Fan	
4151872	Bottom Cabinet Hinge Assembly - LH	87	3220300	Bushing, Strain Relief RT Angle	
4151874	Hinge Assy, Bot Cabnt-LH, B	88	1607700	Water Inlet Tube	
33	6110070	Bolt, 1/4-20 x 3/4" Spinlock Zinc	89	2605408	Water Inlet Tube Extension, 6.34"
34	3421310	Door Closer Guide	90	3450480	Plastic O-Ring
35	0165970	Door Closer Guide Support	91	3070210	Heater, Fill Tube
36	3450570	Door Closer Cushion	92	6220470	Fill Tube Clamp
37	0166360	Door Closer Cushion Retainer	93	6220330	Plastic Support
38	6180010	Pop Rivet, 1/8"	94	0234540	Drain Trough Enclosure
39	4201113	Door Closer Assembly, RH/LH	95	6220220	Screw Grommet, 1/32" X 3/8" SQ.
4201117	Door Closer Assy, SNG, B (RH & LH)	96	3140360	Fill Cup Plug	
40	0165980	Door Closer Spring Retainer	97	4200521	Icemaker Assy
41	3450530	Door Closer Spring	98	6200120	Screw, #10-12 x 1/2" Truss HD
3450710	Low Pull Spring	99	3421070	Connecting Rod	
42	NA	See 4201113 & 4201117	100	3421150	Ice Level Control Arm
43	NA	See 4201113 & 4201117	101	6120280	Tube Clamp, Nylon, 3/16"
44	3421290	Door Closer Linkage	102	3060130	SPST Fan/Icemaker Switch
45	3421260	Door Closer Bearing	103	2600297	Tube, Copper L-Shaped
3421261	Bearing, Door Closer, B	104	3520380	Compression Nut	
46	3450550	E-Ring / Klipping, 5/16"	105	3520370	Compression Sleeve
47	4110353	Base Assy (w/rollers)	106	4202790	Water Valve
48	4110331	Base Rear Roller Assy	107	3520050	Brass Insert, Solenoid
49	6200010	Screw, #10-12 x 3/4" Pan HD	108	3520030	Icemaker Nylon Nut, 1/4"
50	3550560	Straight Pin, Base Assy - .312" x 2.88"	109	2600617	Plastic Water Line
51	3450620	Canoe Clip	110	0168160	Solenoid Water Valve Bracket
52	3421240	Cabinet Roller	111	6200780	Screw, #10-24 x 1/2" PH Hex Washer
53	3570050	Leveling Leg, #18-3/8 x 1"	112	6201270	Screw, #8-18 x 5/8" PH PN SS-Gnd
54	6110580	Adjusting Screw	113	3520250	Water Inlet Fitting Assy
			114	3082090	Terminator, Defrost {70°/30°}

## 601F-3 MECHANICAL VIEW



**601F-3 SEALED SYSTEM PARTS LIST**

<u>Ref #</u>	<u>Part #</u>	<u>Description</u>
1	7002527	Evap, Fre Svce
2	6201270	Screw, #8-18 x 5/8" PH PN SS-Gnd
3	7002014	Condenser
4	6110020	Bolt, #10-24 x 3/8" Truss HD
5	6150080	Nut-Flat, #10-24
6	3014230	Filter-Drier, High Side
7	6120170	Locking Cable Tie, Red, 11-1/2"
8	4251320	Heat Exchanger
9	7002026	Compressor Assy, EGX80HLC Svce (EGX80HLC)
10	7001473	Electricals, EGX80HLC (For EGX80HLC Comp.)
11	3112500	Capacitor, 12MF (For EGX80HLC Comp.)
12	3112420	Term Cvr Spring, EGZ80
13	6200300	Screw, 5/16-18 x 1-1/2" Hex
14	6240050	Flat Washer, 5/16"
15	3150170	Rubber Grommet, Large, 15/16"
16	1801000	Nylon Compressor Mount, 7/16"
17	6160070	Sleeve, 5/16 x 7/16 x 7/8"
18	3011140	Accumulator
19	3014100	Suction Line Drier (Service Only)

**601F-3 SEALED SYSTEM VIEW**

