

MAJESTIC



Unvented Gas Log Heater Installation and Operating Instructions Models: 18VL, 24VL, 30VL

WARNINGS

If the information in this manual is not followed exactly, a fire or explosion may result causing property damage, personal injury or loss of life.

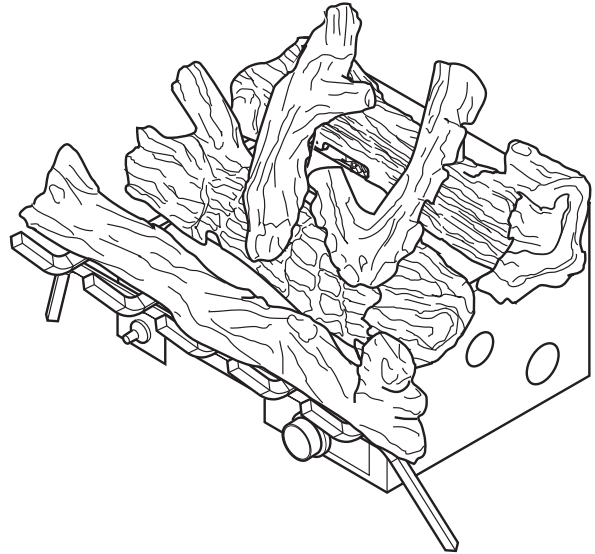
- Do not store or use gasoline or other flammable vapors and liquids in the vicinity of this or any other appliance.
- **WHAT TO DO IF YOU SMELL GAS**
 - Do not try to light any appliance.
 - Do not touch any electrical switch; do not use any phone in your building.
 - Immediately call your gas supplier from a neighbor's phone. Follow the gas supplier's instructions.
 - If you cannot reach your gas supplier, call the fire department.
- Installation and service must be performed by a qualified installer, service agency or the gas supplier.

This appliance may be installed in an aftermarket, permanently located, manufactured (mobile) home, where not prohibited by local codes.

This appliance is only for use with the type of gas indicated on the rating plate. This appliance is not convertible for use with other gases.

The design of this appliance complies with Standard Z21.11.2 of the American National Standards Institute and is so certified by the International Approval Service.

In accordance with Standard Z21.11.2, this appliance may be operated as an unvented heater when installed in a solid-fuel burning fireplace with the flue damper closed or an ANSI approved ventless firebox enclosure. Follow the applicable instructions contained in this manual. (State or Local Codes may only allow operation of this appliance in a vented configuration. Check your state or local codes.)



This is an unvented gas-fired heater. It uses air (oxygen) from the room in which it is installed. Provisions for adequate combustion and ventilation air must be provided. Refer to Page 6.

INSTALLER: Leave this manual with the appliance.
CONSUMER: Retain this manual for future reference.

Thank you and congratulations on your purchase of a Majestic Log Set.

PLEASE READ THE INSTALLATION AND OPERATION INSTRUCTIONS BEFORE USING THE APPLIANCE!

IMPORTANT: Read all instructions and warnings carefully before starting installation.

Failure to follow these instructions may result in a possible fire hazard and will void the warranty.

Important Safety Information	2	For Your Safety Read Before Lighting	18
Product Features and Specifications	5	Manual Control Lighting Instructions.....	19
Gas Pressures	5	Millivolt Control Lighting Instructions.....	20
Gas Specifications	5	Thermostat Control Lighting Instructions	21
Combustion and Ventilation Air	6	Match Lighting Instructions	22
Fireplace and Hearth Dimensions	7	Safety Checklist.....	22
Clearances	8	Troubleshooting	23
How This Appliance Operates	9	Maintenance.....	24
Gas Line Installation	10	Replacement Parts	25
Electrical Wiring - Millivolt.....	11	Warranty	27
Connect Optional Wall Switch or Thermostat	11		
Connect Remote Receiver.....	12		
Installation and Adjustment	13		
Log Placement.....	15		
Splendor Glow Fiber Log Placement	15		
Refractory Log Placement	16		
Lighting Instructions.....	17		

Important Information

This owner's manual is to be left with the gas log appliance. It contains information to be used before, during and after the installation of the gas log appliance. The installer of the gas log appliance should carefully study this manual before installing the appliance. All people who will be operating the appliance should also carefully study this manual.

The installation of this appliance must conform with local codes or, in the absence of local codes, with the National Fuel Gas Code ANSI Z223.1/NFPA 54. The installation and any service of the appliance must be by a qualified service person. After installing the appliance, the installer should describe the operation of the appliance to the people who will be operating it.

The appliance is equipped with a pilot safety system that turns off the appliance if enough fresh air is not available. The operation of and the cleaning of the pilot light safety system are explained in other sections of this manual. Do not use this appliance if any part has been under water. Immediately call a qualified service technician to inspect the appliance and to replace any part of the control system and any gas control, which has been under water.

<p>18VL, 24VL, 30VL Certified To (latest editions)</p>
<p>ANSI Z21.11.2 Unvented Heaters Z21.60 CSA 2.26</p>

INSTALLER

Please leave these instructions with the appliance.

OWNER

Please retain these instructions for future reference.

WARNING	<p>This appliance, as any gas-fired appliance, can produce poisonous carbon monoxide along with other combustion products. Carbon monoxide, in strong concentrations, can cause sickness, serious personal injury and death.</p> <p>Early signs of carbon monoxide poisoning may resemble the flu with head-aches, dizziness and/or nausea. If you have these signs, the appliance may not be working properly. Get fresh air at once! Immediately have appliance serviced by a qualified technician.</p> <p>Some people (pregnant women, persons with heart or lung disease, anemia, those under the influence of alcohol, those at high altitudes) are more affected by carbon monoxide than others.</p>
----------------	--

DANGER	<p>Operation of this appliance on gases for which it is not equipped may lead to carbon monoxide poisoning.</p>
---------------	---

WARNING	<p>Any change to this appliance or its controls can be dangerous.</p>
----------------	---

NOTE: An unvented room appliance is an unvented, self-contained, gas burning appliance for connection to the house fuel supply system and for furnishing heat to the space in which installed directly from the appliance without duct connection.

IMPORTANT: When installed as an unvented room heater, this appliance is to be used as a supplemental heat source only. Do not use this appliance as a primary heat source.

This appliance shall not be installed in a confined space or unusually tight construction unless provisions are provided for adequate combustion and ventilation air.

When properly installed, used and maintained, this appliance should not produce carbon monoxide in dangerous quantities. However, since carbon monoxide can be deadly poisonous, the installer and all users of this appliance should read and follow these instructions carefully.

The type of gas for which this appliance is equipped is marked on the rating label attached to the appliance. "NAT" is natural gas; "LP" is propane or propane butane mixture gas.

Gaseous fuels are highly explosive in certain concentrations and are very flammable. Any gas leaks in the plumbing supplying gas to this appliance can lead to fire or explosion.

WARNING	<p>This appliance cannot be converted to a gas other than the type for which it is equipped at the factory.</p>
----------------	---

DANGER	<p>Do not install this appliance in any area where gasoline or any combustible or explosive material will be used or stored. The flame in this appliance is not isolated from the air space it heats and it will ignite flammable vapors, dust particles or other combustible materials that come in contact with it which can result in an explosion or fire.</p>
---------------	--

Sufficient space must be provided around this appliance to provide air for combustion and ventilation and to allow room for servicing. To provide the required spacing; do not install this appliance in any solid-fuel burning fireplace with any dimension smaller than shown by Table 1.

This appliance is for installation only in a solid-fuel burning masonry fireplace or a UL 127 factory-built fireplace or a listed ventless firebox enclosure as specified within this manual. This appliance has been design certified for these installations. Exception: DO NOT install this appliance in a factory-built fireplace that includes instructions stating the factory-built fireplace has not been tested with, or should not be used with, unvented gas log appliances.

18VL, 24VL and 30VL gas log appliances are design certified as unvented room appliances for installation in an ANSI approved ventless firebox enclosure.

Notice: If installed in a VF32-R, VF36-R, VF42-R, EVB36, VF36, VF42, or VF3D ventless fireplace enclosure, this gas log appliance can only be operated as an unvented heater. Unvented heaters are not permitted by some state or local codes. Before installing a ventless firebox enclosure for this gas log appliance, check your state or local codes to determine if unvented heaters are permitted

in your area. If unvented heaters are permitted in your area, follow the instructions accompanying the ventless firebox enclosure.

Do not install this appliance in a bedroom or bathroom.

Do not install this appliance in a fireplace whose flue is serving a separate solid-fuel burning appliance.

If this appliance is installed in a fireplace equipped with outside air facilities and the entrance point of the outside air is located in a plane above the bottom of the fireplace, the outside air facility must be sealed at the point it enters the fireplace. Failure to do this may create a fire hazard.

Due to high temperatures, this appliance must be located out of traffic and away from furniture and drapery.

Installation and repair should be done by a qualified service person.

WARNING

Never connect unit to private (non-utility) gas wells. This gas is commonly known as wellhead gas.

**NATIONAL
FIREPLACE
INSTITUTE**



CERTIFIED
www.nficertified.org

We recommend that our gas hearth products be installed and serviced by professionals who are certified in the U.S. by the National Fireplace Institute® (NFI) as NFI Gas Specialists.

GAS PRESSURES

	*Natural	**Propane (LP)
Inlet Minimum	5.0" w.c.	11.0" w.c.
Inlet Maximum	10.5" w.c.	13.0" w.c.
Pilot Regulator Millivolt & T-Stat	3.5" w.c.	n/a
Regulator Pressure Manual	3.0" w.c.	10.0" w.c.
Regulator Pressure Millivolt & T-Stat	3.5" w.c.	10.0" w.c.

***NOTE:** An external regulator is required to reduce supply pressure to a maximum of 10½" W.C. on natural gas systems operating at higher pressure.

****NOTE:** An external regulator is required to reduce supply pressure to a maximum of 13" w.c.

GAS SPECIFICATIONS

Model	Fuel	Control	Max. Input BTU/h	Min. Input BTU/h
18VLNM	Nat.	Manual	18,000	28,000
18VLPM	LP	Manual	18,000	28,000
24VLNM	Nat.	Manual	20,000	34,000
24VLPM	LP	Manual	20,000	34,000
30VLNM	Nat.	Manual	20,000	34,000
30VLPM	LP	Manual	20,000	34,000
18VLNV	Nat.	Millivolt	18,000	28,000
18VLPV	LP	Millivolt	20,000	28,000
24VLNV	Nat.	Millivolt	25,000	34,000
24VLPV	LP	Millivolt	30,000	34,000
30VLNV	Nat.	Millivolt	25,000	34,000
30VLPV	LP	Millivolt	30,000	34,000
18VLNT	Nat.	T-Stat	18,000	28,000
18VLPT	LP	T-Stat	18,000	28,000
24VLNT	Nat.	T-Stat	25,000	38,000
24VLPT	LP	T-Stat	20,000	34,000
30VLNT	Nat.	T-Stat	25,000	38,000
30VLPT	LP	T-Stat	20,000	34,000

As do all gas-fired appliances, this appliance requires fresh air (oxygen) for proper combustion and ventilation. In some cases, but not all, normal air infiltration into a building will supply a sufficient amount of fresh air for proper combustion and ventilation. The number of gas-fired appliances involved, the type of space being utilized, and the construction tightness of the building involved must all be considered when determining whether normal air infiltration is sufficient or if additional fresh air will be needed for proper combustion and ventilation of the gas-fired appliances installed in a particular space.

Unconfined space and confined space are the terms used to describe the space in which gas-fired appliances may be installed. The National Fuel Gas Code, ANSI Z223.1/NFPA 54 defines a confined space as a space whose volume is less than 50 cubic feet per 1,000 BTU per hour (4.8 m³ per kW) of the aggregate input rating of all gas-fired appliances installed in that space. Rooms communicating directly with the space in which the appliances are installed, through openings not furnished with doors, are considered a part of the "to be defined" space. For example, three rooms in a house are adjoining with interconnecting passageways but no doors; each room has an 8-foot ceiling. One room is 16 x 12 feet, one is 12 x 12 feet and one is 10 x 14 feet. The total volume of the three rooms is 3,808 cubic feet; (8x16x12) plus (8x12x12) plus (8x10x14) equals 3,808 cubic feet. To be considered an unconfined space, the total maximum aggregate input rating of all gas-fired appliances installed in the 3,808 cubic feet space must not exceed 76,160 BTU per hour; (3,808 divided by 50) x 1,000 equals 76,160 BTU per hour.

Normal air infiltration into an unconfined space will be adequate to supply the necessary fresh air for proper combustion and ventilation if the building is not constructed unusually tight. However, if the building is of unusually tight construction, additional fresh air from outside will be required for proper combustion and ventilation of the gas-fired appliances installed in the unconfined space. Unusually tight construction is defined as constructions where:

- a) walls and ceilings exposed to the outside atmosphere have a continuous water vapor retarder with a rating of 1 perm (6×10^{11} kg per pa-sec-m²) or less with openings gasketed or sealed;
- b) weather stripping has been added on openable windows and doors, and
- c) caulking or sealants are applied to areas such as joints around window and door frames, between sole plates and floors, between wall-ceiling joints, between wall panels, at penetrations for plumbing, electrical, and gas lines, and at other openings.

WARNING

If the area in which this appliance may be operated is smaller than that defined as an unconfined space or if the building is of unusually tight construction, provide adequate combustion and ventilation air by one of the methods described in the National Fuel Gas code, ANSI Z223.1/NFPA 54, Air for Combustion and Ventilation, or applicable local codes. This appliance shall not be installed in a confined space or unusually tight construction unless provisions are provided for adequate combustion and ventilation air.

CAUTION

Because water is a product of fuel gas combustion, all gas-fired appliances will produce some water vapor (humidity) when fired. The water vapor may collect on windows and walls, especially in buildings constructed unusually tight. Providing additional fresh air will reduce the amount of water vapor which collects on the windows and walls.

This appliance shall not be installed in a confined space or unusually tight construction unless provisions are provided for adequate combustion and ventilation air.

Consult your local building inspector or section 5.3 in the National Fuel Gas Code ANSI Z223.1/NFPA 54 if you have any questions about fresh air requirements for proper combustion and ventilation of gas-fired appliances.

This appliance is equipped with an ODS (oxygen depletion sensor) pilot light safety system that turns off the appliance if not enough fresh air is available. Never attempt to adjust this safety system. It will not operate correctly if tampered with. When used without fresh air, appliance may give off carbon monoxide, an odorless, poisonous gas.

If this appliance shuts off during operation, do not relight it until you provide additional fresh air. If permanent provisions for providing additional fresh air have not been implemented, the additional fresh air may be provided by opening a window an inch or two while the appliance is operating. If the appliance keeps shutting off during operation, have it serviced.

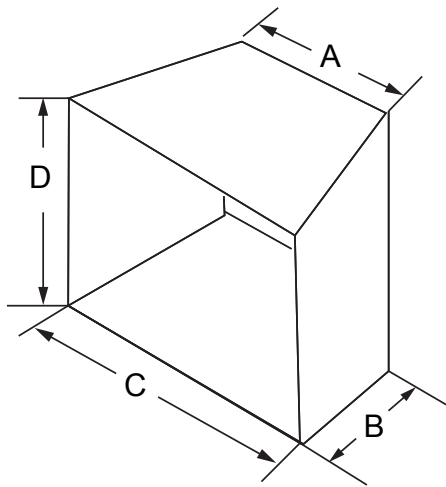
WARNING

The ODS (Oxygen Depletion Sensor) Pilot light safety system is not a substitute for proper installation and use of this appliance. Failure to observe installation and use guidelines in this manual can lead to carbon monoxide poisoning, fire or explosion.

WARNING

This appliance is for installation only in a solid-fuel burning masonry or UL127 factory-built fireplace, vent free appliance, or in listed ventless firebox enclosure. It has been design certified for these installations.

Exception: DO NOT install this appliance in a factory-built fireplace that includes instructions stating it has not been tested or should not be used with unvented gas logs.



**Figure 1 -
Minimum Fireplace Dimensions**

Minimum Fireplace Dimensions				
Model	A	B	C	D
VL18	19"	13¼"	25"	17"
VL24	22½"	13¼"	27"	17"
VL30	25½"	13¼"	32½"	17"

LG567

The minimum clearance to any combustible item in front of this appliance should be no less than 36 inches from the face of the fireplace in which this appliance is installed.

Any combustible mantel present on the fireplace facing of any fireplace in which this appliance is installed must not extend more than 12 inches from the face of the fireplace. Also, the combustible mantel must be at least 28 inches above the fireplace opening as shown in Figure 2 unless a CABL/CABR fireplace canopy is installed as described.

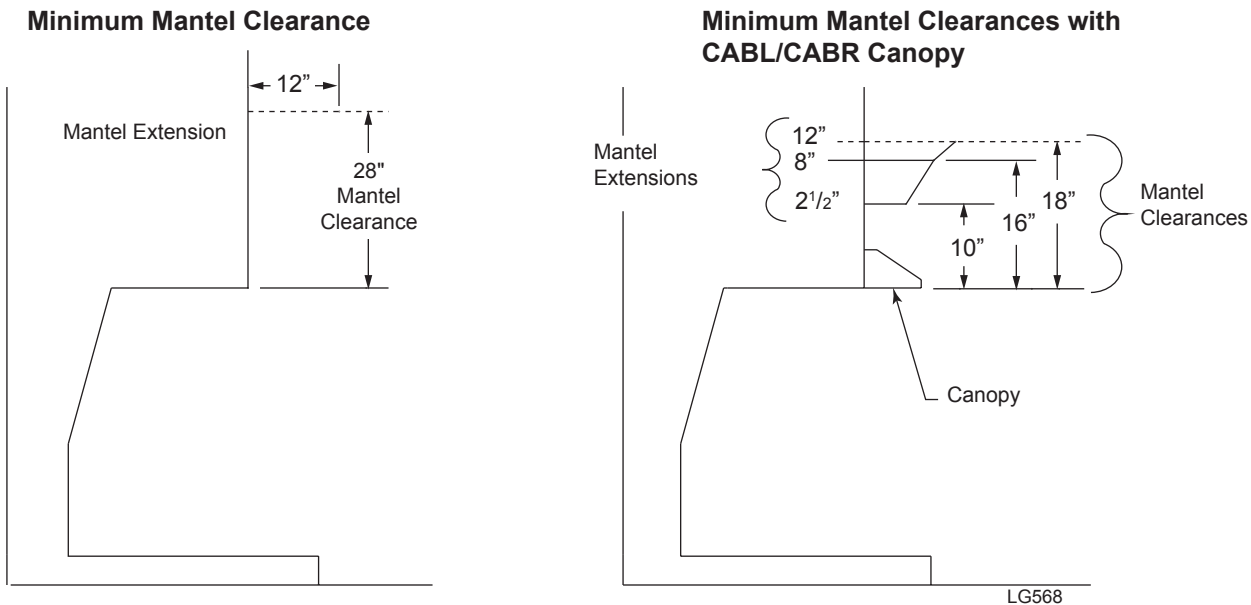
If a combustible mantel is less than 28 inches above the fireplace opening of any fireplace in which this appliance is installed, obtain a CABL/CABR fireplace canopy from your appliance dealer and install it on the fireplace according to the instructions furnished with the CABL/CABR fireplace canopy. For any fireplace in which this appliance and canopy are both installed, the mantel extensions and corresponding mantel clearances are as shown in Figure 2. The mantel must lie in or above the dashed line shown in Figure 2. (The mantel extension is the distance the mantel extends from the fireplace facing. The mantel clearance is the distance from the fireplace opening to the bottom of the mantel.)

Any other combustible or noncombustible extension or trim extending from the fireplace facing of any fireplace in which this appliance is installed must comply with (1) local codes or, in the absence of local codes, with the latest edition of ANSI/NFPA 211 if the fireplace is an at-site masonry solid-fuel burning fireplace, or (2) the instructions provided by the fireplace manufacturer if the fireplace is a prefabricated factory-built solid-fuel burning fireplace or is a listed ventless firebox enclosure.

CLEARANCE TO COMBUSTIBLES

Front: No less than 36 inches from the face of the fireplace in which the appliance is installed.

Mantel: Must not extend more than 12 inches from the face of the fireplace and must be at least 28 inches above the fireplace opening (unless a CABL/CABR fireplace canopy is installed.) *Figure 2*



**Figure 2 -
Mantel Clearances**

WARNING

Never use this appliance to dry clothes, cook on or for any purpose other than providing heat into the area around the appliance.

This control system is a safety system and must not be tampered with. Do not attempt to make any adjustments to the control or pilot other than those described in the installation and adjustment or troubleshooting sections of this manual.

This appliance is equipped with a pilot burner, two main burners, and an ignition tube, which connects the two main burners. The flame from the pilot burner ignites the top main burner. The flame from the top main burner then ignites the gas in the ignition tube which in turn ignites the bottom main burner. The pilot burner, top main burner and bottom main burner then burn in unison.

The control system on this appliance serves several functions. It regulates the incoming gas to the correct pressure for the rate required. It will not regulate LP gas directly from the container. A separate regulator must be installed on the tank or bottle to reduce the gas pressure supplied to the appliance to between 11 and 13 inches water column. The control system also provides a safety shutoff to allow gas to flow to the main burners only when the pilot is burning and to shut off gas to the pilot burner and main burners should the pilot flame not be burning. It provides a manual safety valve to turn gas on and off to the main burners. There is a safety feature in the control valve which will lock the control valve in the OFF position for a few minutes until the pilot valve closes should the knob be turned OFF while the pilot is burning. This prevents escape of unburned gases. The control system also regulates the pilot gas flow to that required for proper operation and provided for shutoff of the gas to the pilot burner and main burners should the oxygen in the area of the appliance be depleted to near dangerous levels.

This control system is a safety system and must not be tampered with. Do not attempt to make any adjustments to the control or pilot except those listed in the installation and adjustment or troubleshooting sections.

Air is pulled into the main burners by the gas stream and mixed with the gas inside the main burners before burning. Additional air enters the appliance through openings in the back, bottom, front and sides of the appliance to complete the burning of the gas. See the combustion and ventilation air requirements section of this manual for source of the air. Blocking or altering airflow into and away from the appliance could cause improper combustion and the production of carbon monoxide gas that could accumulate to hazardous concentrations. To prevent a disruption of the airflow through the appliance, keep the appliance clean as described by the maintenance section of this manual.

This appliance's heat input is best utilized when the appliance is installed in a solid-fuel burning fireplace with the flue damper closed, or when installed in a listed ventless firebox enclosure. The amount of heat input utilizable when the appliance is installed in a solid-fuel burning fireplace with the flue damper open is dependent upon how much of the heat input escapes through the open flue damper.

DANGER Operation of this appliance on LP gas without an approved regulator at the supply container will lead to gas leaks with possible fire or explosion.

DANGER Do not use candles, matches or other ignition sources when checking for leaks. Fuel gases are very flammable and, in certain concentrations, explosive. Checking for leaks with an open flame may lead to fire or explosion.

All gas piping must be installed to comply with local codes or, in the absence of local codes, with the National Fuel Gas Code ANSI Z223.1/NFPA 54. Only flexible hoses listed by a certified agency may be used.

All gas piping must be installed to comply with local codes or, in the absence of local codes, with the National Fuel Gas Code ANSI Z223.1/NFPA 54. Do not use flexible hose unless the hose is listed by a recognized testing agency for use with gas and is approved by the local code authority.

Unions in gas lines shall be of the ground joint type. Compounds used on threaded joints of gas piping must be resistant to the action of liquefied petroleum gas.

For purpose of input adjustment, the gas piping must be of sufficient size to provide a minimum natural gas pressure at the appliance of 5 inches water column or 11 inches for LP gases. The maximum inlet gas pressure to the appliance must not exceed 10 inches for natural gas and 13 inches for LP gases. If this appliance is to be supplied with LP gas (bottled propane) the tank or bottle supplying the gas must have a regulator that reduces the gas pressure to between 11 and 13 inches water column. The control will not operate with gas line pressure directly from the tank and may leak gas due to this excessive pressure.

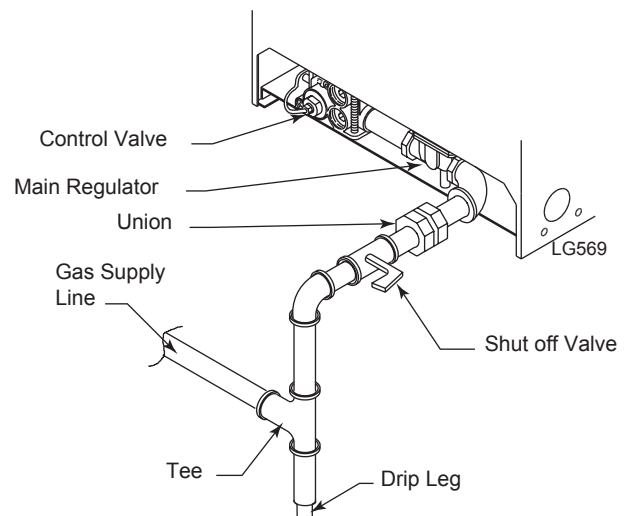
Include a manual shutoff valve and union in the line so the appliance may be disconnected for servicing. Include a drip leg and a plugged 1/8 inch NPT tapping in the line also. The tapping must be accessible for test gauge connection immediately upstream of the gas supply connection to the appliance.

Use a soap-water solution or a liquid gas leak detector to coat each joint in the piping system and look for bubbles which indicate gas leaks. Repair all gas leaks.

A standard control assembly and typical gas-piping diagram are shown by Figure 3.

WARNING

The appliance and its individual shutoff valve must be disconnected from the gas supply piping system during any pressure testing of that system at test pressures in excess of 1/2 PSIG (3 kPa). The appliance must be isolated from the gas supply piping system by closing its individual manual shutoff valve during any pressure testing of the gas supply piping system at test pressures equal to or less than 1/2 PSIG (3 kPa). Pressures in excess of 1/2 PSIG (3 kPa) will cause damage to the control valve and may cause damage to the shutoff valve.



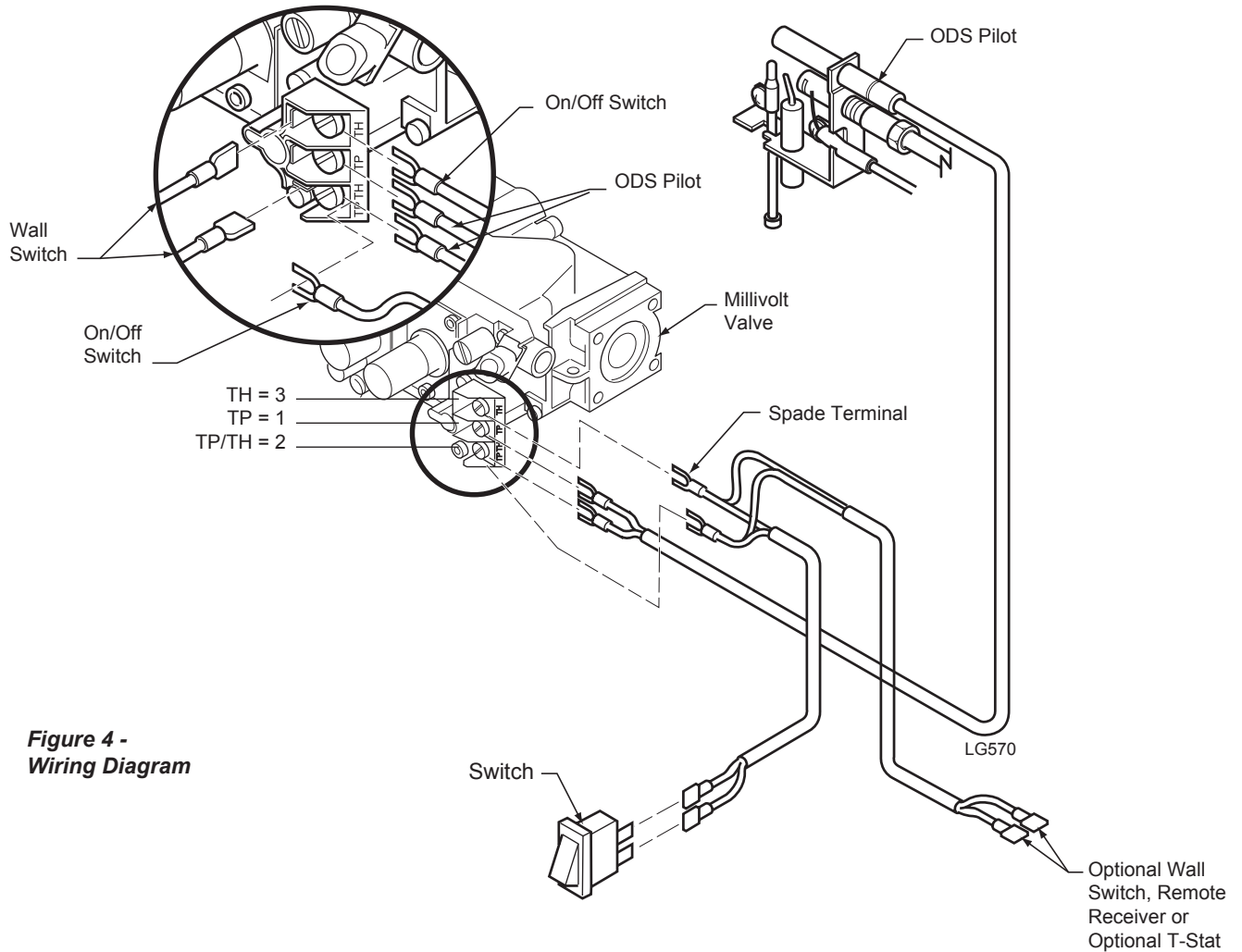
NOTES:

1. Provide a 1/8" NPT plugged tapping for pressure gauge connection between shutoff valve and main regulator.
2. For clarity, some appliance plumbing not shown.

**Figure 3 -
Gas Connection**

The millivolt valve is a self-powered combination gas control **THAT DOES NOT REQUIRE 110 VAC TO OPERATE.**

CAUTION Label all wires prior to disconnection when servicing controls. Wiring errors can cause improper and dangerous operation. Verify proper operation after servicing.



**Figure 4 -
Wiring Diagram**

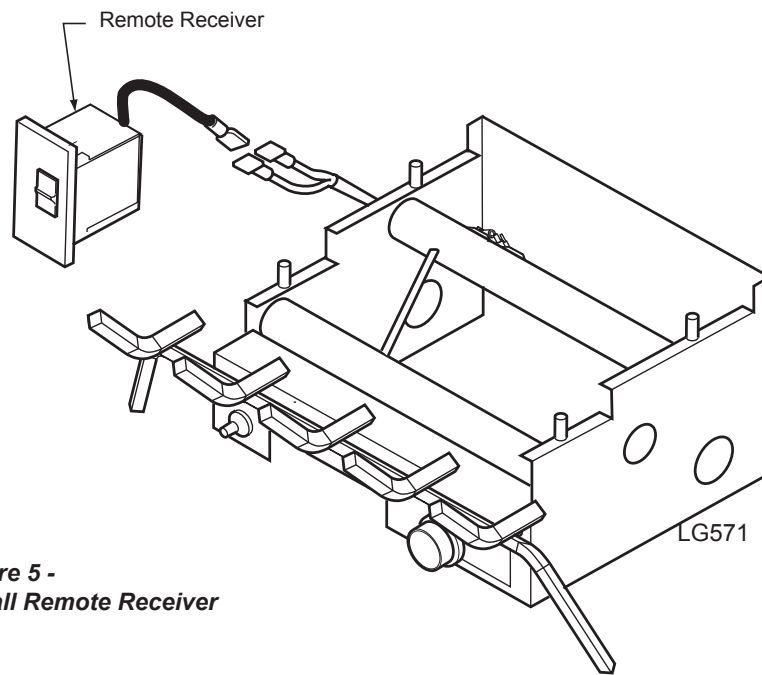
CONNECT OPTIONAL WALL SWITCH OR THERMOSTAT

1. Use 18 awg, two-wire cable, 15 feet maximum length.
2. At one end of the cable, connect both wires to the wall switch or thermostat. At the other end, connect one wire to TP/TH and one wire to TH, or connect the wall switch/thermostat to the two male (0.25") terminals on the left side of the unit. The color of the wires does not matter.

CONNECT REMOTE RECEIVER

THESE INSTRUCTIONS SUPERSEDE THE SECTION ENTITLED "HEARTH MOUNT" IN THE MILLIVOLT HAND HELD REMOTE INSTRUCTIONS SUPPLIED WITH THE REMOTE.

1. Plug wire into the back of the remote receiver.
2. Connect the other end of the wire harness to the wire harness attached to the unit located on the left side. Do not let the wires touch the grate or burner.
3. Stick velcro pads with self-adhesive backing to the side of the remote receiver and to the left side of the unit. *Figure 5*
4. Attach remote receiver with velcro pads. Control switch must face forward.



**Figure 5 -
Install Remote Receiver**

NOTE: Heat reduces battery life. You can protect the receiver and extend battery life by mounting receiver in wall or other location outside the fireplace.

Use these instructions as a guide while installing and adjusting this gas log appliance. The installation must conform with local codes or, in the absence of local codes, with the National Fuel Gas Code ANSI Z223.1/NFPA 54.

The following installation and adjustment steps apply to unvented heater installations. If this appliance is to be installed in a solid-fuel burning fireplace, make sure the fireplace is large enough; refer to Table 1.

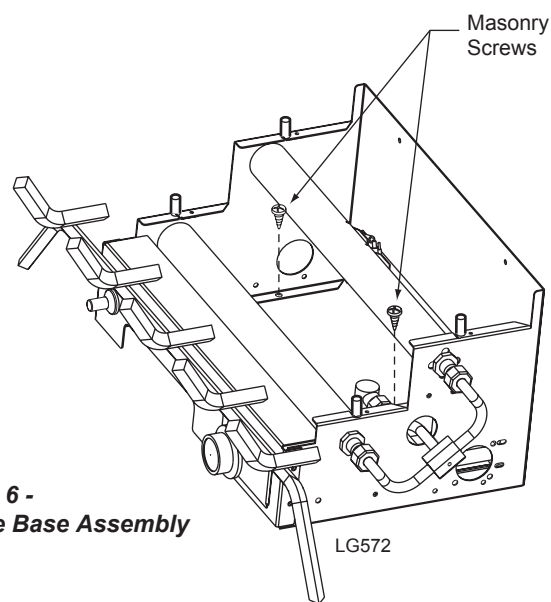
1. To comply with the size requirements for the appliance, refer to Table 1. In accordance with Standards Z21.11.2, this appliance may be operated as an unvented heater when installed in a solid-fuel burning fireplace with the flue damper closed or in an ANSI approved ventless firebox enclosure.
2. **WARNING:** If this appliance is to be installed in a previously-used fireplace, thoroughly clean the interior of the fireplace (including any smoke shelf, damper frame and chimney flue) of soot, creosote, ashes, loose paint or any other substance which could be transported by water vapor or circulated by air flow into the space served by this appliance. Cleaning of a solid-fuel burning fireplace must be performed by a qualified chimney cleaner. GCPK Gas Conversion Prep Kit, available at your local dealer, may be used to return an even finish to refractory panels which have been discolored due to use.
3. If desired, permanently close any fireplace chimney damper in the fireplace. (As noted earlier, this appliance's heat input is best utilized when the appliance is installed in a solid-fuel burning fireplace with the flue damper closed, or when installed in a listed ventless firebox enclosure. The amount of heat input utilizable when the appliance is installed in a solid-fuel burning fireplace with the flue damper open is dependent upon how much of the heat input escapes through the open flue damper.)
4. Permanently close any outside air duct and/or ash dump in the fireplace.
5. Install a gas supply line according to the gas piping and gas pressure requirements section of this manual.
6. Set the appliance base assembly in the fireplace and connect the gas supply line to the main regulator of the appliance. The base assembly may be secured to the fireplace by using masonry screws. *Figure 6*
7. Before setting logs in place, turn the gas on and check each joint in the gas line carefully with a soap and water or liquid gas leak solution for leaks. Bubbles indicate leaks. Repair any leaks before proceeding.
8. It is most convenient to light the pilot burner and check the operation of the main burners with the logs not in place. After carefully checking the gas line for leaks

WARNING

This appliance is for installation only in a solid-fuel burning masonry fireplace or a UL 127 factory-built fireplace or a listed ventless firebox enclosure as specified within this manual. This appliance has been design certified for these installations. **Exception: DO NOT install this appliance in a factory-built fireplace that includes instructions stating the factory-built fireplace has not been tested with, or should not be used with, unvented gas log appliances.**

WARNING

Provisions for combustion and ventilation air for this appliance must be in accordance with the Combustion and Ventilation Air Requirements section of this manual.



**Figure 6 -
Secure Base Assembly**

and correcting any found, refer to the lighting and operation section of this manual. Carefully read the safety information, then light the pilot burner according to the instructions. The pilot flame should be clear blue and should appear similar to the flame as shown in *Figure 7*.

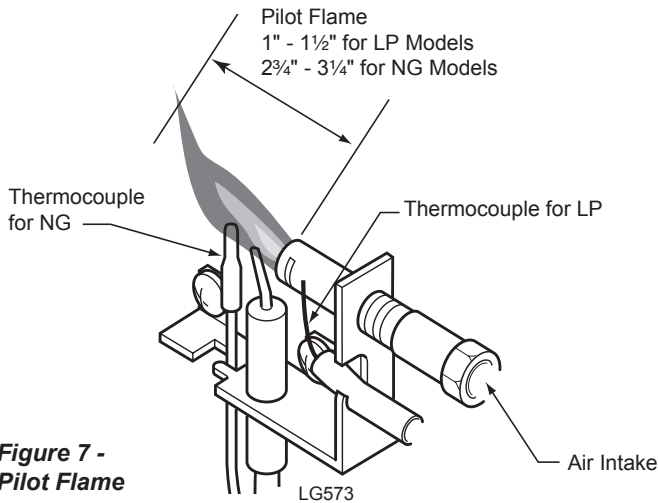


Figure 7 - Pilot Flame

NOTE: Never attempt to adjust the pilot in any way, to do so will cause it not to operate as it is intended.

DANGER

Do not use candles, matches or other ignition sources when checking for gas leaks. Fuel gases are very flammable and in certain concentrations, explosive. Checking for leaks with an open flame may lead to fire or explosion.

WARNING

The presence of soot on the logs or any part of this appliance indicates a problem exists. If soot is found, turn off the gas to the appliance and call a qualified service technician.

Refer to the Troubleshooting section of this instruction manual for assistance in determining cause and solution to the problem.

9. After the pilot flame is established, turn the appliance's control knob counterclockwise to low then press the control knob inward slightly and continue turning counterclockwise to high. Wait for the two main burners to ignite. If the burner's do not light within four seconds after the control knob has been turned to high, or if the bottom main burner does not ignite within four seconds after the top main burner ignites, turn the control knob clockwise to pilot and read the troubleshooting section of this manual for help in determining why ignition did not occur. Always follow this procedure when igniting the two main burners.
10. With the pilot and main burners in operation, check each connection in the gas supply system and control system for leaks with a soap and water or liquid gas leak solution. If any leaks are found, turn the gas supply off and repair leaks before proceeding.
11. The flames of each main burner should appear similar to the flames shown in Figure 8. The flames may have red or orange streaks caused by dust in the air.

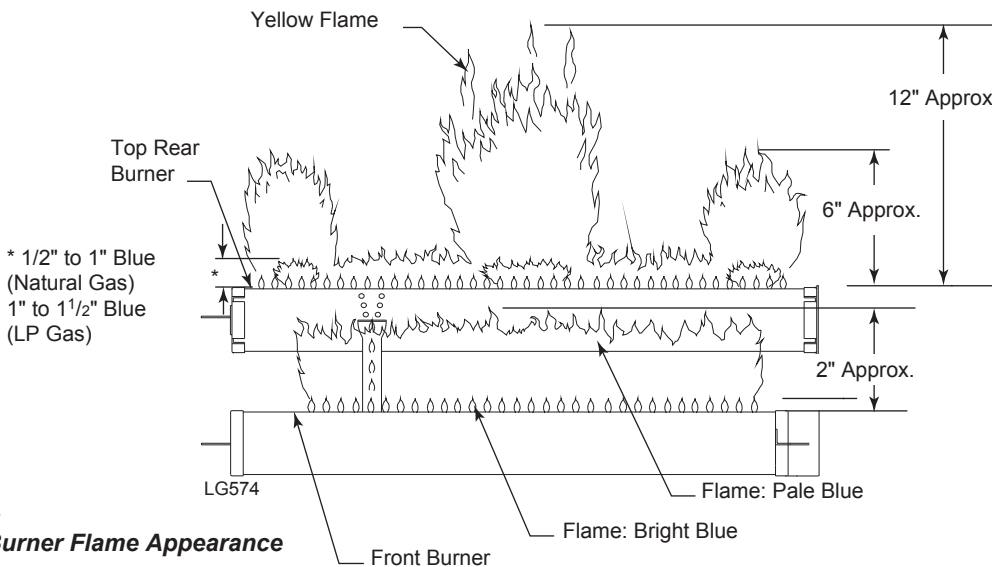


Figure 8 - Correct Burner Flame Appearance

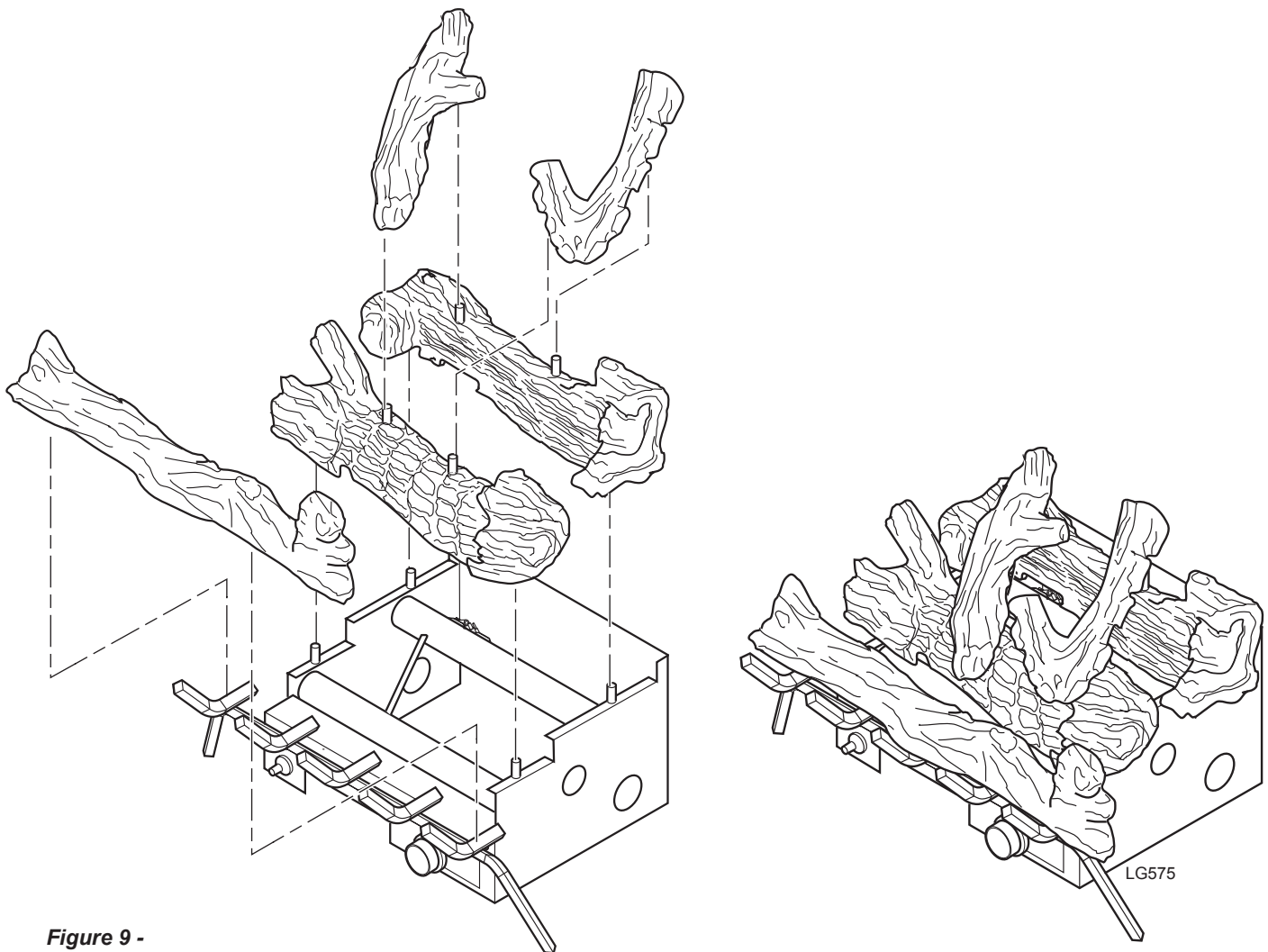
NOTICE: The rear burner should have a minimum of 1/2" of blue at the base of the burner flame on natural gas fired appliances, and a minimum of 1" of blue at the base of the burner flame on propane or LP gas fired appliances. There should be no yellow flame within this minimum height.

WARNING

Incorrect placement of the logs on the base can cause the production of carbon monoxide gas and soot. Always keep the logs properly placed.

SPLENDOR GLOW FIBER LOG PLACEMENT*Figure 9*

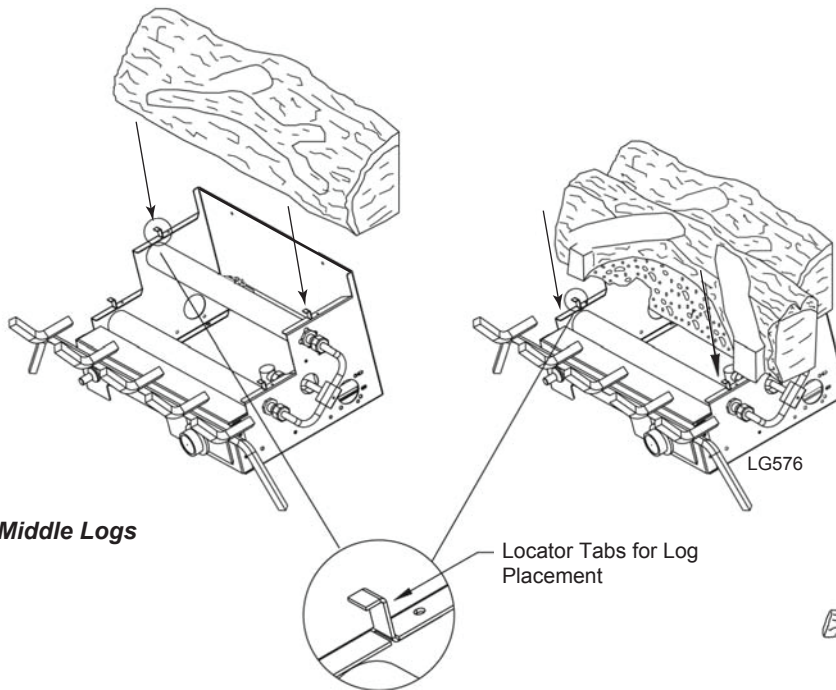
1. Position the metal log support assembly on the base by aligning the notches of the log support assembly with the corresponding four log stops and two rear tabs of the base.
2. Set the back log on the log support assembly. Make sure the holes in the back log fit onto the matching pins projecting from the log support assembly.
3. Set the middle log on the log support assembly as shown in *Figure 19*. Make sure the holes in the middle log fit onto the matching pins projecting from the log support assembly.
4. Set the front log on the log support assembly. Make sure the holes in the front log fit onto the matching pins projecting from the log support assembly.
5. Set the straight/left top log onto the back log, middle log and front log. Make sure the holes in the top log fit onto the matching pins projecting from the back and middle log.
6. Set the top onto the back log and middle log. Make sure the holes in the log fit onto the matching pins projecting from the back and middle log.



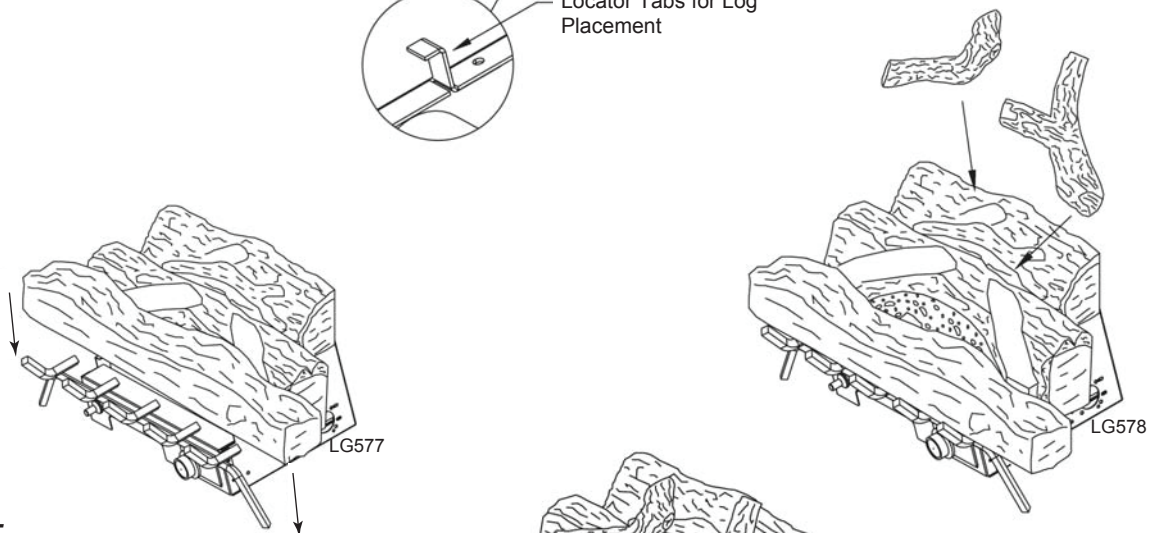
**Figure 9 -
Splendor Glow Log Placement**

REFRACTORY LOG PLACEMENT

1. Set the back log in position with the locating pins behind the log stops as shown in *Figure 10*.
2. Set the middle log in position with the locating pins behind the log stops. The middle log can be identified by the burned area in its center. *Figure 10*
3. Set the front log into position with the locating pads on each side of the middle log blocks. *Figure 11*
4. Set the left and right twigs into their matching recesses. *Figure 12*



**Figure 10 -
Place Back and Middle Logs**



**Figure 11 -
Place Front Log**

**Figure 12 -
Place Left and Right Twigs**

WARNING: Do not allow fans to blow directly into the fireplace. Avoid any drafts that alter burner flame patterns.

WARNING: Do not use a blower insert, heat exchanger insert or other accessory not approved for use with this appliance.

CAUTION: This appliance is hot while in operation. Do not touch. Keep children, clothing, furniture, gasoline and other liquids having flammable vapors away.

Children and adults should be alerted to the hazard of high surface temperature and should stay away to avoid burns or clothing ignition.

Young children should be carefully supervised when they are in the same room with the appliance.

Do not place clothing or other flammable material on or near appliance.

Do not burn solid fuel in the fireplace in which this appliance is installed.

When this appliance is in operation, any glass doors on the fireplace in which the appliance is installed, must be completely open to prevent overheating.

A mesh fireplace screen must be in place when the appliance is operating and unless other provisions for combustion air are provided; the screen shall have an opening(s) for introduction of combustion air.

NOTICE: This appliance will go through a curing process during its initial (first 2 to 3 hours) operating period and will emit some smoke and odor. Oil and paint odors from a newly installed fireplace or soot, creosote and ash odors from a previously used fireplace may also be noticeable during this initial operating period. Be prepared for any smoke and odor by raising windows or opening doors to provide additional ventilation during this initial operating period. If this appliance is installed in a solid-fuel burning fireplace as a unvented heater, it is recommended that the fireplace damper be open during the appliance's initial operating period in order to reduce the possibility of soot, creosote and ashes from a previously-used fireplace being circulated by air flow or transported by water vapor into the space served by this appliance.

CAUTION: Candles, incense, oil lamps, etc. produce combustion by products including soot. Vent-free appliances will not filter or clean soot produced by these types of products. In addition, the smoke and/or aromatics (scents) may be reburnt in the vent-free appliance which can produce odors. It is recommended to minimize the use of candles, incense, etc. while the vent-free appliance is in operation.

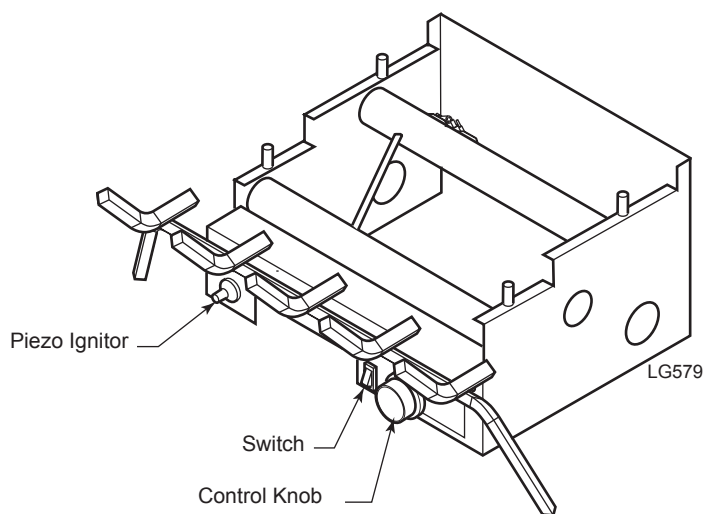
FOR YOUR SAFETY READ BEFORE LIGHTING**WARNING**

If you do not follow these instruction exactly, a fire or explosion may result causing property damage, personal injury or loss of life.

- A.** This appliance is equipped with a piezo ignition device which lights the pilot. If piezo is not working properly see *Match Lighting Instructions, Page 22*.
- B.** BEFORE OPERATING smell all around the appliance area for gas. Be sure to smell next to the floor because some gas is heavier than air and will settle on the floor.


WHAT TO DO IF YOU SMELL GAS:

- Do not attempt to light any appliance.
 - Do not touch any electric switch; do not use any phone in your building.
 - Immediately call your gas supplier from a neighbor's phone. Follow the gas supplier's instructions.
 - If you cannot reach your gas supplier, call the fire department.
- C.** Use only your hand to push in, or turn the gas control knob. Never use tools. If the knob will not push in or turn by hand, don't try to repair it. Call a qualified service technician. Force or attempted repair may result in a fire or explosion.
- D.** Do not use this appliance if any part of it has been under water. Immediately call a qualified service technician to inspect the appliance and to replace any part of the control system and any gas control that has been under water.




**Location of Piezo Ignitor, Control Knobs and Switch
on Millivolt, Thermostat and Manual Units**

MANUAL CONTROL LIGHTING INSTRUCTIONS

1. **STOP!** Read the safety information.
2. Make sure the manual shutoff valve is fully open.
3. This heater is equipped with an ignition device (piezo) which automatically lights the pilot.
4. Refer to Page 18 for the location of the piezo ignitor and control knob. Push in gas control knob slightly and turn control knob clockwise  to the OFF position.

NOTE: Knob cannot be turned to OFF unless knob is pushed in slightly. Do not force.

5. Wait (5) minutes to clear out any gas. Then smell for gas, including near the floor. If you smell gas, **STOP!** Follow the instructions under *What To Do If You Smell Gas*. If you do not smell gas, go to the next step.


6. From OFF position, turn the gas control knob counterclockwise  to IGN position. *Figure 12*. Push in control knob for 5 seconds.


NOTE: If you are running the heater for the first time, it will be necessary to press in the control knob for 30 seconds to allow air to bleed out of the gas piping.

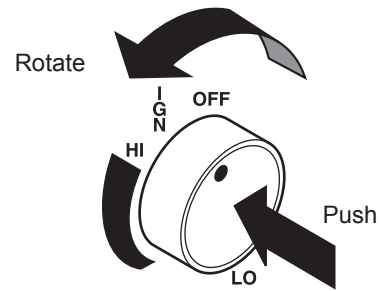
7. With the control knob pushed in, push in and release the piezo ignitor button to light the ODS pilot. The pilot is located on the left side of the heater, behind the middle log and on the back of the rear burner. If piezo ignitor does not light the pilot, refer to *Match Lighting Instructions*, Page 22

8. Hold the control knob in for an additional 10 seconds to prevent the ODS pilot from shutting off the gas while the thermocouple is warming up.

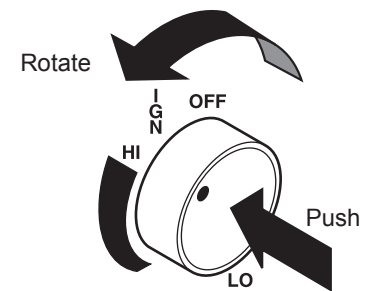
9. Release the control knob:

- If the knob does not pop out when released, stop and immediately call your service technician or gas supplier.
- If the ODS pilot will not stay lit after several tries, push and turn the gas control knob clockwise  to OFF and wait 15 seconds. Repeat steps 6 through 9.

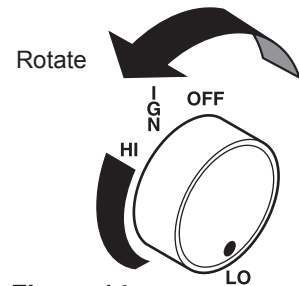
10. Push in control knob and turn counterclockwise  to the HIGH setting. At this location the control knob will pop out when positioned correctly. The knob can now be positioned at any position between HIGH and LOW. Refer to *Figures 13 and 14*.



**Figure 12 -
IGN Position**



**Figure 13 -
HIGH Position**




**Figure 14 -
LOW Position**

WARNING

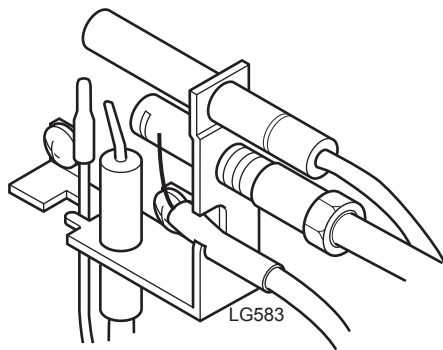
Wait 30 seconds before readjusting the heater when the control knob has been turned down to a lower setting.

TO TURN OFF GAS TO HEATER

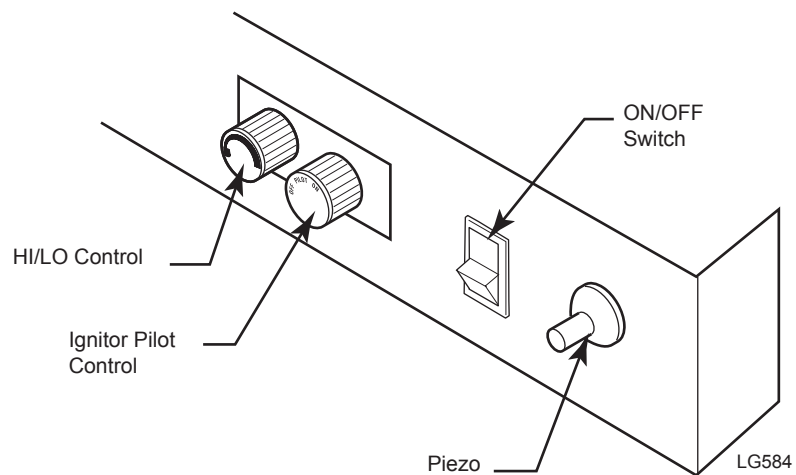
1. Turn control knob clockwise  to OFF position to completely shut off the heater.
2. If applicable: Turn off all electric power to the heater.

Millivolt CONTROL LIGHTING INSTRUCTIONS

1. **STOP!** Read the safety information label.
2. Make sure the manual shutoff valve is fully open.
3. This gas log set is equipped with an ignition device (piezo) which automatically lights the pilot. If piezo ignitor does not light the pilot, refer to *Match Lighting Instructions, Page 22*.
4. Turn gas control knob clockwise ↷ to the OFF position, set the thermostat to the lowest setting and turn ON/OFF switch to OFF position.
5. Wait (5) minutes to clear out any gas. Then smell for gas, including near the floor. If you smell gas, **STOP!** Follow the instructions under *What To Do If You Smell Gas, Page 18*.
6. From OFF position, turn the gas control knob counterclockwise ↶ to IGN position. Push in control knob for 5 seconds. **NOTE: If you are running the heater for the first time, it may be necessary to press in the control knob for 30 seconds or longer to allow air to bleed out of the gas piping.**
7. With the control knob pushed in, push in and release the piezo ignitor button to light the pilot.
8. Continue pushing the control knob in for a further 10 seconds to prevent the flame detector from shutting off the gas while the probe is warming up. Release the control knob.
9. Turn gas control knob counterclockwise ↶ to the ON position.
10. After the pilot has been lit for one minute, the burners can be turned on. Turn the ON/OFF switch to ON position.
11. If the gas logs will not operate, follow the instructions To Turn Off Gas To Heater below and call your service technician or gas supplier.



Pilot




Control Cover Plate for Millivolt



TO TURN OFF GAS TO HEATER

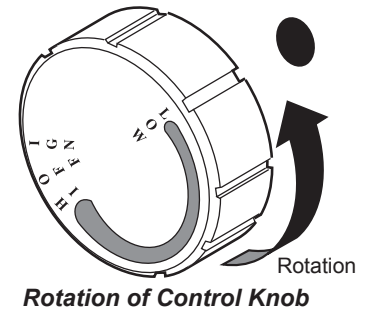
1. Turn control knob clockwise ↷ to OFF position to completely shut off the heater.
2. If applicable: Turn ON/OFF switch to OFF position and/or set thermostat (if present) to lowest setting.
3. If applicable: Turn off all electric power to the heater.

THERMOSTAT CONTROL LIGHTING INSTRUCTIONS

1. **STOP!** Read the safety information.
2. Make sure the manual shutoff valve is fully open.
3. This heater is equipped with an ignition device (piezo) which automatically lights the pilot.
4. Refer to Page 18 for the location of the piezo ignitor and control knob. Turn control knob clockwise  to the OFF position.

NOTE: Knob cannot be turned to OFF unless knob is pushed in slightly. Do not force.


5. Wait (5) minutes to clear out any gas. Then smell for gas, including near the floor. If you smell gas, **STOP!** Follow the instructions under *What To Do If You Smell Gas*. If you do not smell gas, go to the next step.
6. Turn the gas control knob counterclockwise  to IGN position. *Figure 39*. Push in control knob for 5 seconds.
7. With the control knob pushed in and held, push and release the piezo ignitor button to light the ODS pilot. The pilot is located on the left side of the heater, behind the front log and in front of the main burner. If piezo ignitor does not light the pilot, refer to *Match Lighting Instructions*, Page 22.
8. Hold the control knob in for an additional 10 seconds to prevent the ODS pilot from shutting off the gas while the thermocouple is warming up.
9. Release the control knob:
 - If the knob does not pop out when released, stop and immediately call your service technician or gas supplier.
 - If the ODS pilot will not stay lit after several tries, push and turn the gas control knob clockwise  to OFF and wait 15 seconds. Repeat steps 6 through 9.
10. Turn control knob to any position between LOW and HIGH. The knob position controls the thermostat temperature.
11. The heater is now in proper operation. The following procedure should be used to achieve thermostatic control of the desired room temperature:
 - a. Operate unit at higher setting until desired room temperature is achieved.
 - b. At the desired temperature, slowly turn the knob clockwise and stop rotating when flame disappears.
 - c. Thermostat is now set to maintain the current room temperature.
 - d. As the room temperature decreases, the thermostat valve will open to ignite the front and rear burner.
 - e. When the temperature reaches its set point (knob position), the thermostat valve will again shut off the front and rear burner.
 - f. This is the normal cycle of the heater.



WARNING

Wait 30 seconds before readjusting the heater when the control knob has been turned down to a lower setting.

TO TURN OFF GAS TO HEATER

1. Turn control knob clockwise  to OFF position to completely shut off the heater.
2. If applicable: Turn off all electric power to the heater.

MATCH LIGHTING INSTRUCTIONS

1. Remove any items necessary for easy access to the pilot (for example: logs, screens, etc.).
2. Follow appropriate lighting instructions found previously. Instead of pushing and releasing the piezo button, light a match and hold the flame to the end of the pilot and ignite the pilot.
3. After control knob has been released and pilot stays lit, reinstall any items that were removed for pilot access.
4. Call a qualified service technician for repair or replacement of the piezo ignitor.

Continued safe operation of this appliance requires, but is not limited to, these "Do's" and "Don'ts":

DO'S

1. Do connect the appliance only to the type of gas for which it is equipped to burn.
2. Do install the appliance and all gas piping according to local codes or, in the absence of local codes, with the National Fuel Gas Code ANSI Z223.1/NFPA 54.
3. Do take the necessary precautions during any pressure testing of the appliance's gas supply piping system.
4. Do install the appliance only in a fireplace suitable for the burning of solid fuel (wood or coal) or in a VF32-R, VF36-R, VF42-R, EVB36, VF42 and VF3D ventless firebox enclosure.
5. Do use only joint compound (pipe dope) on threaded joints of gas piping that is resistant to the action of liquefied petroleum gas.
6. Do include a manual shutoff valve, union and 1/8 inch N.P.T. plugged pressure tap ahead of the controls.
7. Do use only ground joint unions in gas piping.
8. Do use only a soap and water solution or liquid gas leak solution when checking for leaks.
9. Do use a mesh firescreen any time the appliance is in operation.
10. Do keep the area around the appliance clear and free from combustible materials, gasoline and any flammable or explosive material.
11. Do follow the lighting and operation procedures provided.
12. Do periodically inspect the flames of the pilot burner and main burners as described by this manual.
13. Do clean the appliance and fireplace as described by this manual.
14. Do keep the logs properly placed.
15. Do provide ample fresh air when operating the appliance.
16. Do keep fireplace glass doors completely open any time the appliance is in operation.

DON'TS

1. Don't modify or alter this appliance in any way.
2. Don't connect this appliance to any type of gas for which it is not equipped to burn.
3. Don't install this appliance in any area where gasoline or any flammable or explosive material may be used or stored.
4. Don't use candles, matches or any source of ignition when checking for leaks.
5. Don't operate appliance without a mesh firescreen in place.
6. Don't install any accessories not provided by MHSC.
7. Don't install this appliance in a fireplace whose flue is serving a separate solid-fuel burning appliance.
8. Don't burn solid fuels in a fireplace where this appliance is installed.
9. Don't block or restrict any grilles of a factory-built fireplace in which this appliance is installed.

DO NOT TAMPER WITH PILOT LIGHT SAFETY SYSTEM!

If appliance shuts off, do not relight until you provide fresh air.

If appliance continues to shut off, have it serviced.
Keep burners and control compartment clean.

While the manufacturer has made every reasonable effort to insure this appliance operates properly and satisfactorily, sometimes problems do arise. The following troubleshooting chart lists several problems with their probable cause and solution. Any adjustments and/or replacements must be made by a qualified person. Do not replace any component with a different type. Only use components supplied by the manufacturer of this appliance.

Problem	Cause	Solution
Flame too large	Pressure regulator at gas supply	Reset, using manometer set too high
	Defective regulator on appliance	Replace regulator
	Appliance's burner orifice too large	Replace with correct size
Noisy flame	Noisy pilot	Check inlet pressure
	Burr in orifice	Remove burr or replace
Yellow tip flame on front main burner	Clogged burner ports	Clean ports
	Misaligned orifice	Realign or replace burner
	Clogged burner air intake	Clean intakes
Floating flame	Insufficient primary air	Clean burner's air intake area
Delayed ignition of top main burner	Pilot flame too small	Clean pilot and pilot orifice
	Top main burner ports clogged	Clean ports
	Low pressure	Check pressure. Adjust pressure regulator at gas supply.
Pilot burner won't ignite, or pilot flame goes out	Main gas OFF	Open shutoff valve.
	Faulty ignition system	Check for spark at pilot when pushing ignitor. Check wire connections.
	Dirty pilot burner	Clean pilot burner.
Main burners won't	Defective control valve turn ON	Replace control valve.
Main burner won't	Defective control valve turn OFF	Replace control valve.
Bottom main burner won't ignite or is slow to ignite	Ports of carryover tube clogged	Clean ports.
	Bottom main burner clogged	Clean ports.
	Low pressure	Check pressure. Adjust pressure regulator at gas supply.
Soot or dark residue on logs or fireplace	Improper log placement	Position logs according to respective "Log Placement" instructions.
	Clogged burner ports	Clean ports.
	Clogged burner air intake	Clean intakes.
	Draft or ceiling fan affecting burner flames	Eliminate draft. Turn off ceiling fan.
	Incorrect gas type	Check appliance rating label. Call dealer.

The appliance and fireplace should be inspected before use and at least annually by a professional service person. More frequent cleaning may be required due to excessive lint from carpeting, bedding material, etc. It is imperative that the control compartment, burners, and circulation air passageways of the appliance be kept clean. Air flowing through the fireplace and appliance will cause dust and lint to collect on the appliance and interior surfaces of the fireplace. If allowed to become excessive on the appliance, the dust and lint could cause the appliance to operate improperly and produce hazardous levels of carbon monoxide. Airflow or water vapor could also carry some of the dust and lint collected on the appliance and on the interior surfaces of the fireplace into the space being served by the appliance.

Visually inspect the appliance and fireplace interior periodically and clean when necessary. Do not use cleaning fluids. Be sure the appliance is off and cool before cleaning it and the fireplace interior. When ready to clean, carefully remove all logs from the appliance; then carefully vacuum or brush away any dust, lint and possible soot which may have accumulated anywhere on the appliance and fireplace interior; pay particular attention to the air intake areas of the appliance's pilot burner and main burners, as well as the flame ports of the main burners. Vacuum or brush away any dust, lint and possible soot which may have accumulated on each of the logs. (Do not remove the vermiculite particles glued to some of the logs; these particles glow during operation of the appliance to produce ember effect.)

After cleaning, replace the logs and resume normal operation of the appliance according to the appliance's lighting and operation instructions. After the cleaning operation, the flames from the burners may have red and orange streaks due to dust in the air. Those red and orange streaks will disappear when the dust settles.

The pilot gas flow is not adjustable on this appliance. Proper operation of the ODS (oxygen depletion sensor) pilot light safety system is dependent upon the pilot gas flow rate and any attempt to adjust this rate could cause the ODS system to not operate correctly. It is very important that the pilot be kept clean and free of dust, lint and soot. Should the pilot flame show a yellow tip, clean the air intake of the pilot burner (Figure 5). The pilot orifice spud is not replaceable for this pilot. Should it become plugged, clean it only with forced air. Never force a drill, wire or any object into the orifice. Any increase in the orifice size will cause the ODS system to not work as it is intended.

CAUTION

Never force a drill, wire or any object into the orifice of the pilot spud. Clean it only with forced air.

NOTICE: During times of construction or remodeling in the vicinity of this appliance, take additional care to keep the air intake areas of the appliance pilot burner and main burners clean; excessive airborne dust created by the construction or remodeling could clog these air intake areas resulting in nuisance pilot outage and the production of carbon monoxide and soot.

If this appliance is installed in a solid-fuel burning fireplace with the flue damper open, a qualified service person should examine and clean the venting system of the solid-fuel burning fireplace at least once a year, preferably before first use of the appliance each heating season. The examination should include checking for deterioration, obstruction, soot buildup or any condition that might affect venting. If any factory-built part of the venting system is damaged or deteriorated and required replacement, use only parts listed for use with the remaining vent system components. The use of unlisted or incompatible components could cause a fire or carbon monoxide hazard.

Any service which requires disconnecting the gas supply line must be performed by a qualified service person. If the appliance is moved, even slightly, for any reason, the gas supply lines must be rechecked for leaks immediately with a soap and water solution or a liquid gas leak detector. If leaks are found, turn the gas off at the shutoff valve until the leak is corrected.

Do not attempt to substitute control system components of any type other than as originally supplied with this appliance. Substituted components will cause the appliance's Pilot Light Safety System to not operate as it is intended.

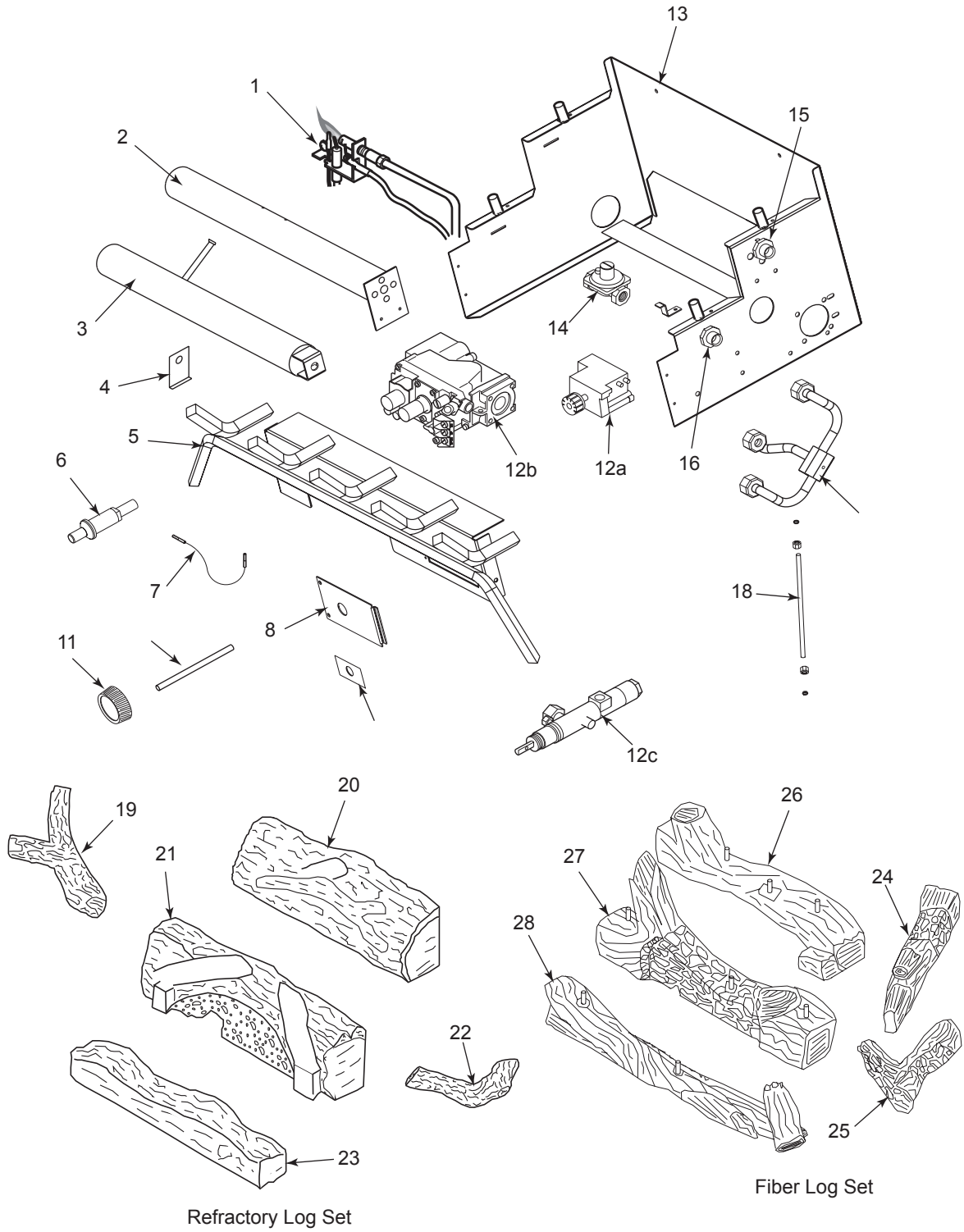
Any safety screen or guard removed for servicing this appliance must be replaced prior to operating this appliance.

CAUTION

If the appliance is moved even slightly, during cleaning or log replacement, check for gas leaks. Repair any gas leak before resuming normal operation of the appliance.

IMPORTANT

Do not attempt to substitute control system components of any type other than as originally supplied with this appliance.



All repair part orders should be placed through your local dealer. To ensure prompt and accurate service, please provide the following information when placing a repair part order: model number of your appliance, part name, part number and quantity of parts needed. Also note, your model may use either Five Piece Refractory Logs or Five Piece Fiber Logs. These different log types shall not be mixed.

Ref.	Description	Qty.	18VL	24VL	30VL
1.	Pilot Assembly (Nat.) Manual/T-stat	1	26D2529	26D2529	26D2529
1.	Pilot Assembly (LP) Manual/T-stat	1	14D0476	14D0476	14D0476
1.	Pilot Assembly (Nat.) Millivolt	1	14D0473	14D0473	14D0473
1.	Pilot Assembly (LP) Millivolt	1	14D0477	14D0477	14D0477
2.	Rear Burner	1	53D0152	53D0154	53D0154
3.	Front Burner	1	53D0151	53D0153	53D0153
4.	Restrictor Plate (Nat. Only)	1	53D0033	53D0033	53D0033
5.	Grate Assembly	1	53D0028	53D0028	53D0028
6.	Piezo Ignitor	1	14D0503	14D0503	14D0503
7.	Cable 12"	1	00K0632	00K0632	00K0632
8.	Front Cover - Manual/T-stat	1	53D0017	53D0017	53D0017
8.	Front Cover - Millivolt	1	53D0019	53D0019	53D0019
9.					
10.	Manual/Millivolt Knob	1	18D0603	18D0603	18D0603
11.	Thermostat Knob	1	18D0602	18D0602	18D0602
12a.	Manual Valve (Nat.)	1	30D0201	30D0201	30D0201
12a.	Manual Valve (LP)	1	30D0202	30D0202	30D0202
12b.	Millivolt Valve (Nat.)	1	14D0467	14D0467	14D0467
12b.	Millivolt Valve (LP)	1	14D0468	14D0468	14D0468
12c.	T-Stat Valve (Nat./LP)	1	11V0701	11V0701	11V0701
13.	Base Wrap	1			
14.	Regulator Manual/T-Stat (Nat.)	1	24D0305	24D0305	24D0305
14.	Regulator Manual/T-Stat (LP)	1	24D0306	24D0306	24D0306
15.	Injector, Rear (Nat.)	1	57D0680	27D0420	27D0420
15.	Injector, Rear (LP)	1	53D0714	62D3005	62D3005
16.	Injector, Front (Nat.)	1	57D0680	57D0612	57D0612
16.	Injector, Front (LP)	1	53D0714	53D0714	53D0714
17.	Nut Mounting - Manual Valve	1	00F0586	00F0586	00F0586
18.	tubing 3/16" Alum.	1	49D0050	49D0050	49D0050
19.	Right Twig (Refractory)	1	078326	072970	072970
20.	Back Log (Refractory)	1	078322	072966	070971
21.	Middle Log (Refractory)	1	078323	072967	072972
22.	Twig Left (Refractory)	1	072969	072969	072969
23.	Front Log (Refractory)	1	078324	072968	072973
24.	Log, Top #1	1	53D1503	53D1508	53D1513
25.	Log, Top #2	1	53D1504	53D1509	53D1514
26.	Log, Back	1	53D1500	53D1505	53D1510
27.	Log, Middle	1	53D1501	53D1506	53D1511
28.	Log, Front	1	53D1502	53D1507	53D1512

Gas Logs Limited Warranty

What is covered and for How Long

MHSC will make available replacement parts for parts that are defective according to the following terms.

Logs - A free replacement will be made available at our factory for any logs if they fail due to deterioration within two (2) years of the verified purchase.

Steel Burner - A free replacement will be made available at our factory for the burner if it fails to deterioration within 10 years of the verified purchase date.

All Other Parts - A free replacement will be made available at our factory for any part that is defective within two (2) years of the verified purchase date.

What is Not Covered

- Removal and re-installation costs.
- Labor costs for replacement or repairs beyond our published warranty labor program.
- Transportation or shipping cost.
- The cost of a service call to diagnose trouble.
- Painted surfaces.
- Damage or defect caused by improper installation, accident, misuse, abuse or alteration.
- Replacement of rusted burner combustion chamber resulting from improper storage.

Limitations and Exclusions

1. No one has authority to add to or vary this limited warranty, or to create for MHSC any other obligation or liability in connection with this heater/decorative gas appliance.
2. Any implied warranty applicable to this heater/decorative gas appliance is limited in duration to the same period of time as this written warranty. Some states do not allow limitations on how long an implied warranty lasts, so the above limitations may not apply to you.
3. MHSC shall not be liable for incidental, consequential, special or contingent damages you might suffer as a result of its breach of written warranty or any implied warranty. Some states do not allow the exclusion or limitation of incidental or consequential damages, so the above limitation or exclusion may not apply to you.
4. This warranty applies only to the original purchaser and may not be transferred.
5. This warranty applies only to a gas heater/decorative gas appliance used as a residential appliance.
6. If you cannot verify the purchase date of the heater/decorative gas appliance, the warranty period will begin on the date the heater/decorative gas appliance was manufactured.
7. replacement or repair parts are warranted for the remaining period of the original part warranty. Warranty parts must be obtained through authorized dealers of the product and/or MHSC who will provide original factory replacement parts. Failure to use original factory replacement parts voids this warranty.

This heater/decorative gas appliance must be installed by a qualified installer, operated and maintained in accordance with all applicable codes and the instructions furnished with it.

IF WARRANTY SERVICE IS NEEDED...

1. Contact your supplier. Make sure you have your warranty, your sales receipt and the model/serial number of your MHSC product.
2. DO NOT ATTEMPT TO DO ANY SERVICE WORK YOURSELF.

MHSC

149 Cleveland Drive • Paris, Kentucky 40361
www.mhsc.com