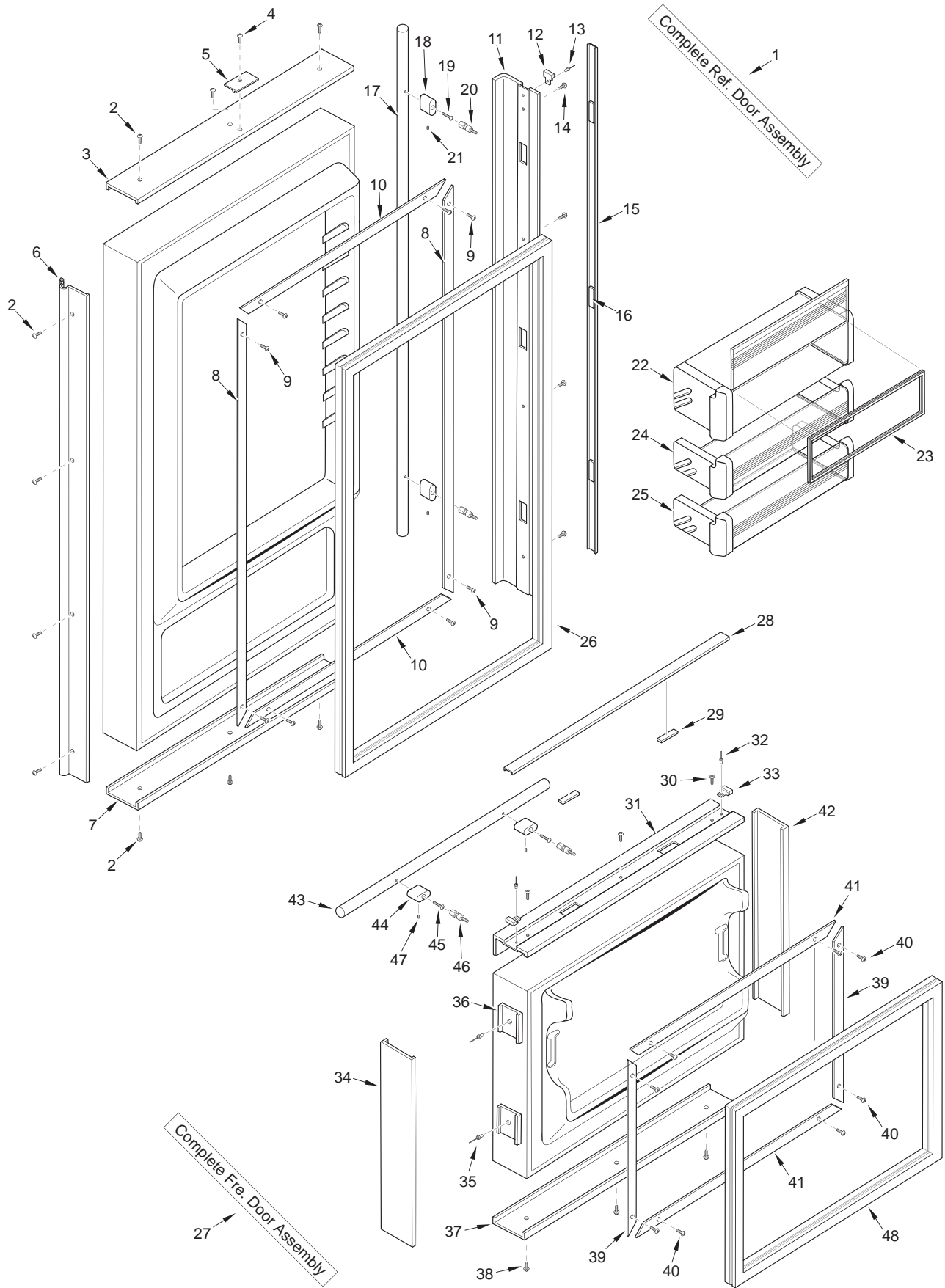


650-3 DOOR PARTS LIST

Ref #	Part #	Description	Ref #	Part #	Description
1	4132823	Door Assy, 650 Ref-RH (Framed/Overlay)	19	6110540	Bolt, #10-24 x 1/2 Flat Socket HD
	4132824	Door Assy, 650 Ref-LH (Framed/Overlay)	20	3511520	Handle Mounting Stud
	4133213	Refrig. Door Assy, SS-RH	21	6110730	Set Screw #10-32 x 1/4 SS Cone
	4133214	Refrig. Door Assy, SS-LH	22	4330490	Dairy Compartment Assy
	4125633	Door Assy, SRVC, 650-RH, B	23	3211820	Dairy Compartment Gasket
	4125634	Door Assy, SRVC, 650-LH, B	24	4330480	Refrig. Door Shelf Assy
	4135833	Door Assy, SRVC, 650-RH, P	25	4330530	Gallon Door Shelf Assy (Sales Acc.)
	4135834	Door Assy, SRVC, 650-LH, P	26	3212130	Door Gasket, Refrigerator
NOTE: Door Assy's do NOT incl. hinges or handles.			27	4135971	Drawer Assy Front, Svc 650F/O
2	6200720	Screw, #8-18 x 1/2 Ph Truss Hd		4136021	Drawer Assy Front, Svc 650S
	6200721	Screw, #8-18X1/2 Ph Low Prfl, B		4136361	Drawer Assy Front, Svc 650B
3	2230606	Refrig. Door Trim, Top - RH		4136371	Drawer Assy Front, Svc 650P
	2230607	Refrig. Door Trim, Top - LH	28	4131880	Handle/Trim Molding Assy, Freezer
4	6200720	Screw, #8-18 x 1/2 Ph Truss Hd	29	3451140	Magnet, Trim Strip
	6200721	Screw, #8-18X1/2 Ph Low Prfl, B	30	6201300	Tapping Screw, #8 x 1/2
5	4200940	Switch Depressor (Includes Screw)	31	4132250	Drawer Handle Assy, Freezer (Framed)
	3421381	Depressor, Switch, B (Screw not Incl.)		4132350	Handle-Side Door Trim, Freezer (Overlay)
6	3511140	Door Trim, Hinge Side - (SS Model)	32	6180160	Rivet, Open End Blind, 1/8 x 3/16
	3511141	Door Trim, Hinge Side - Mitered Corner	33	3413340	Handle/Trim End Cap
	3512231	Trim, Door Hinge Side-Carbon	34	2230701	Fre Drawer Trim, Rt Side
	3512232	Trim, Door Hinge Side-Platinum	35	6180040	Pop Rivet, 3/16 x 1/8 Grip
7	2230608	Refrig. Door Trim, Bottom - RH	36	3450460	Door Trim Clip
	2230609	Refrig. Door Trim, Bottom - LH	37	2230605	Freezer Drawer Trim, Bottom
8	3420240	Gasket Retainer, Side Ref, 47.438	38	6200720	Screw, #8-18 x 1/2 Ph Truss Hd
9	6200410	Screw, #8 x 1/2 Slot Head Hex		6200721	Screw, #8-18X1/2 Ph Low Prfl, B
10	3420220	Gasket Retainer, 33.312"	39	3420150	Gasket Retainer, 17.312
11	4132240	Door Handle Assy, Refrig. (Framed)	40	6200410	Screw, #8 x 1/2 Slot Head Hex
	4132340	Handle-Side Door Trim, Ref. (Overlay)	41	3420220	Gasket Retainer, 33.312"
12	3413340	Handle/Trim End Cap	42	2230702	Fre Drawer Trim, Lt Side
13	6180160	Rivet, Open End Blind, 1/8 x 3/16	43	4133720	Handle Assy, Obr Standoff-Fre
14	6201300	Tapping Screw, #8 x 1/2			(Incl. Stand-offs)
15	4131870	Handle/Trim Molding Assy, Refrig.		4133721	Handle Assy, Obr Standoff, B - Fre
16	3451140	Magnet, Trim Strip - 3"			(Incl. Stand-offs)
17	4133700	Handle Assy, SS OBR Standoff-Ref		4133722	Handle Assy, Obr Standoff, P - Fre
		(Incl. Stand-offs)			(Incl. Stand-offs)
	4133701	Handle Assy, OBR Standoff, B	44	3512160	Standoff, SS Oval, Drwr
		(Incl. Stand-offs)		3512161	Standoff, Oval, B
	4133702	Handle Assy, OBR Standoff, P		3512162	Standoff, Oval, P
		(Incl. Stand-offs)	45	6110540	Bolt, #10-24 x 1/2 Flat Socket HD
18	3152150	Standoff, SS Oval	46	3511520	Handle Mounting Stud
	3512151	Standoff, Oval, B	47	6110730	Set Screw #10-32 x 1/4 SS Cone
	3512152	Standoff, Oval, P	48	3212120	Door Gasket, Fre.



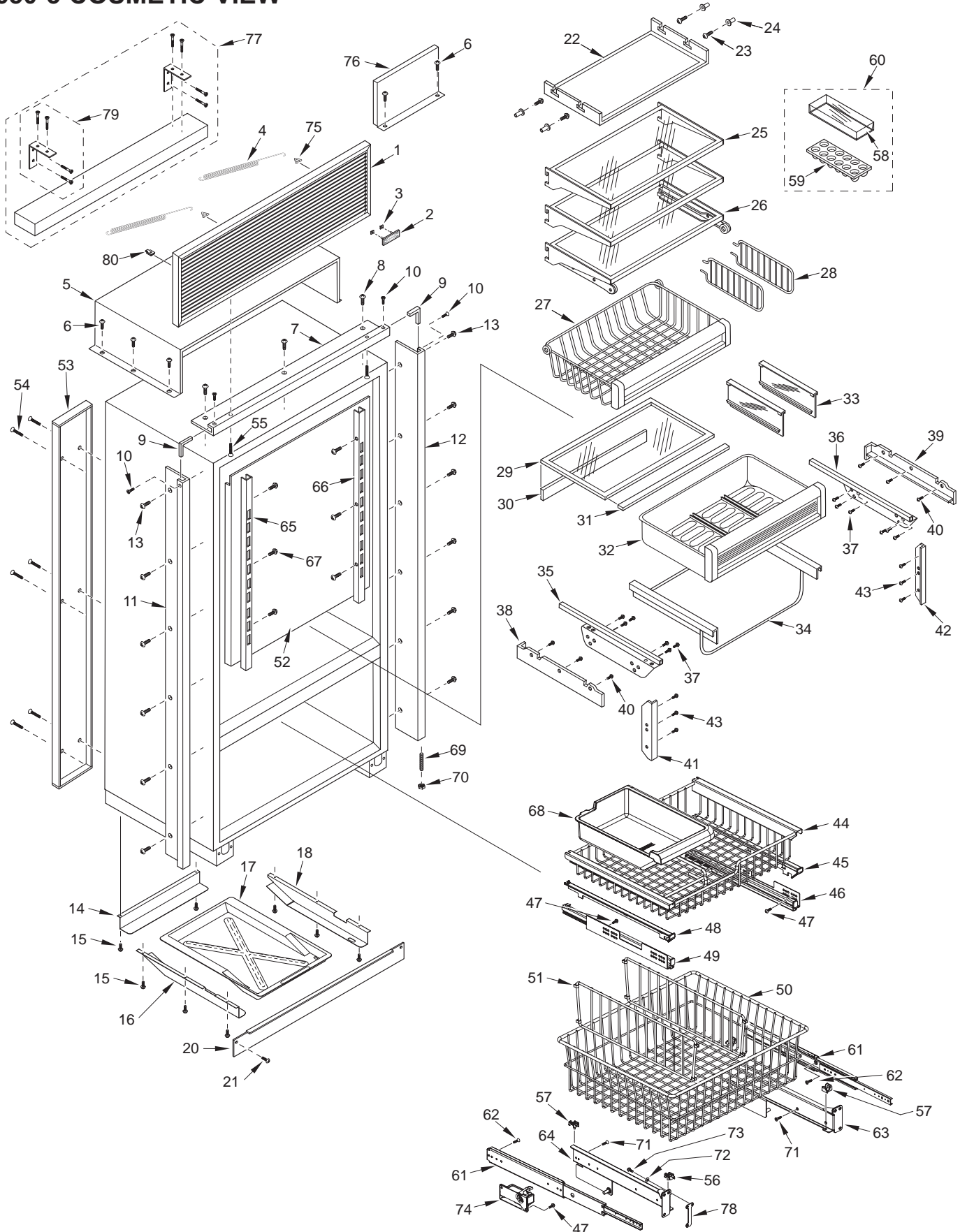
650-3 DOOR VIEW



650-3 COSMETIC PARTS LIST

Ref #	Part #	Description	Ref #	Part #	Description
1	6LG3611	Louvered Grille Assy, 36" x 11"	30	3211760	Crisper Glass Seal, Rear
	6PG3611	Panel Grille Assy, 36" x 11"	31	3211730	Crisper Glass Seal, Front
	6SG3611/S	SS Grille, 36X11-CLSC	32	4181440	High Humidity Drawer Assembly
	6SG3611/B	SS Grille 36X11-CarBon	33	3413100	Drawer Divider
	6SG3611/P	SS Grille 36X11-Platinum	34	3421770	Humidity Drawer Slide-Frame
2	3580210	Name Plate, Stick-on	35	4181412	Top Crisper Slide Assembly, Wide-LH
	3580211	Nameplate, B, P		4181421	Top Crisper Slide Assembly, Narrow-RH
	3580230	Name Plate w/ Pegs	36	4181411	Top Crisper Slide Assembly, Wide-RH
	3580270	Logo, Stainless 3 1/2" (Stick-on)		4181422	Top Crisper Slide Assembly, Narrow-LH
	3580280	Logo, Framed 3 1/2" (w/ Pegs)	37	6201270	Screw, #8-18 x 5/8" PH PN SS-Gnd
	3580290	Logo, Carbon 3 1/2", (Stick-on)	38	3421711	Top Crspr Glass Support, Narrow-RH
3	6150140	Spring Grip Nut, 1/8"		3421722	Top Crisper glass Support, Wide-LH
4	3450900	Grille spring	39	3421712	Top Crisper Glass Support, Narrow-LH
5	4280940	Unit Shroud Assembly		3421721	Top Crisper Glass Support, Wide-RH
6	6201270	Screw, #8-18 x 5/8" PH PN SS-Gnd	40	6201130	Screw, #8x 1/2" PH FL HD SS
7	2234021	Frame, Main Top 36 LH	41	3421741	Crisper Filler Strip, Narrow (if RH)
	3517019	Frame, Main Top 36-LH, B		3421742	Crisper Filler Strip, Wide (if LH)
	3517044	Frame, Main Top 36-LH, P	42	3421741	Crisper Filler Strip, Narrow (if LH)
	2234020	Frame, Main Top 36 RH		3421742	Crisper Filler Strip, Wide (if RH)
	3517018	Frame, Main Top 36-RH, B	43	6201270	Screw, #8-18 x 5/8" PH PN SS-Gnd
	3517043	Frame, Main Top 36-RH, P	44	3414690	Basket, Fre Upr
8	6200010	Screw, #10-12 x 3/4" Pan HD	45	3422331	Retainer, Upper Fre Basket RH
9	2210701	Main Frame Angle	46	3414611	Slide, Full Ex Quadro 18" V6+ RH
10	6200070	Screw, #4-24 x 3/8" Flat HD	47	6110030	Bolt, #10-24 x 1/2", Round Head
	6200071	Screw, #4-24X3/8 Flat Hd, B	48	3422332	Retainer, Upper Fre Basket LH
11	2234004	Frame, Main Left-RH	49	3414612	Slide, Full Ex Quadro 18" V6+ LH
	3517004	Frame, Main Side Left-RH, B	50	3414710	Basket, Fre Lwr
	3517029	Frame, Main Side Left-RH, P	51	3414760	Divider, Lwr Basket
	2234027	Frame, Main Side Left-LH	52	7002003	Cover Assy, Ref Evap Svce
	3517025	Frame, Main Side Left-LH, B	53	0261640	Duct, Back
	3517050	Frame, Main Side Left-LH, P	54	6201060	Screw, #8x1-1/4" PH FLAT TAP
12	2234006	Frame, Main Side Right-LH	55	6201310	Screw, #8 x 1-3/4" Flat PH HD
	3517006	Frame, Main Side Right-LH, B		6201311	Screw, #8X1-3/4 Flt Ph Hd, B
	3507031	Frame, Main Side Right-LH, P	56	3422341	Retainer, Lower Fre Basket RH
	2234026	Frame, Main Side Right-RH	57	3422342	Retainer, Lower Fre Basket LH
	3517024	Frame, Main Side Right-RH, B	58	3412280	Egg Tray Cover
	3517049	Frame, Main Side Right-RH, P	59	3412270	Egg Tray
13	6201550	Screw, #8-18 Lw Prfl	60	4131810	Egg Tray with Cover
14	0262020	Support, Drain Pan, Rear	61	3414590	Slide, Full Extension 18"
15	6200010	Screw, #10-12 x 3/4" Pan HD	62	6110970	Machine Screw, 1/4-20 X 1 #10FL
16	0262010	Support, Drain Pan, LH	63	3422321	Rail Assy, Drawer Slide Right
17	2120121	Pan, Drain Vac Form	64	3422322	Rail Assy, Drawer Slide Left
18	0262000	Support, Drain Pan, RH	65	3601821	Refrig. shelf ladder, Right
19	3550300	Glide, Rear Drawer 1/2X1/4	66	3601822	Refrig. shelf ladder, Left
20	0169520	Kickplate, Solid	67	6200710	Screw, #8-18 x 3/8" Fillister HD
	0167820	Kickplate, Stainless Steel	68	3414740	Bucket, Ice
	0167821	Kickplate, Solid 36", B	69	3550190	Bottom Hinge Stud
	0167822	Kickplate, Solid 36", P	70	6150200	Nut, 1/4-20 Hex
21	6200050	Screw, #10-12 Pan Hd	71	6111020	Mach Screw, #10-24X3/8 UN FL HD
	6200720	Screw, #8-18x1/2 Ph Tr Hd (SS Model)	72	6240340	Washer, Flat 1/4X5/8 X .045 SS
22	4161870	Refrig. Light Diffuser Assembly	73	6110980	Cap Screw, 1/4-20X3/4 Button HD
23	6201330	Screw, #8-18 x 5/8" PH PN SS-Gnd	74	3541320	Closer, Drawer LH
24	3520420	Insert / Diffuser Stand-off	75	3450520	Grille Hook
25	3601901	Glass Shelf, Spill Proof	76	4280950	Compsr Shroud Assy
26	4181620	Refrig. Roll-out Shelf Assy	77	4201320	Blocking Components; 36"
27	4181520	Refrig. Roll-out Basket Assy	78	0187010	Spacer, Drawer Rail
28	3411160	Ref Roll-Out Bskt Divider	79	4201340	Blocking Hardware Package
29	4151750	Crisper Glass Assembly (Incl. Seals)	80	6150140	Spring Grip Nut, 1/8"

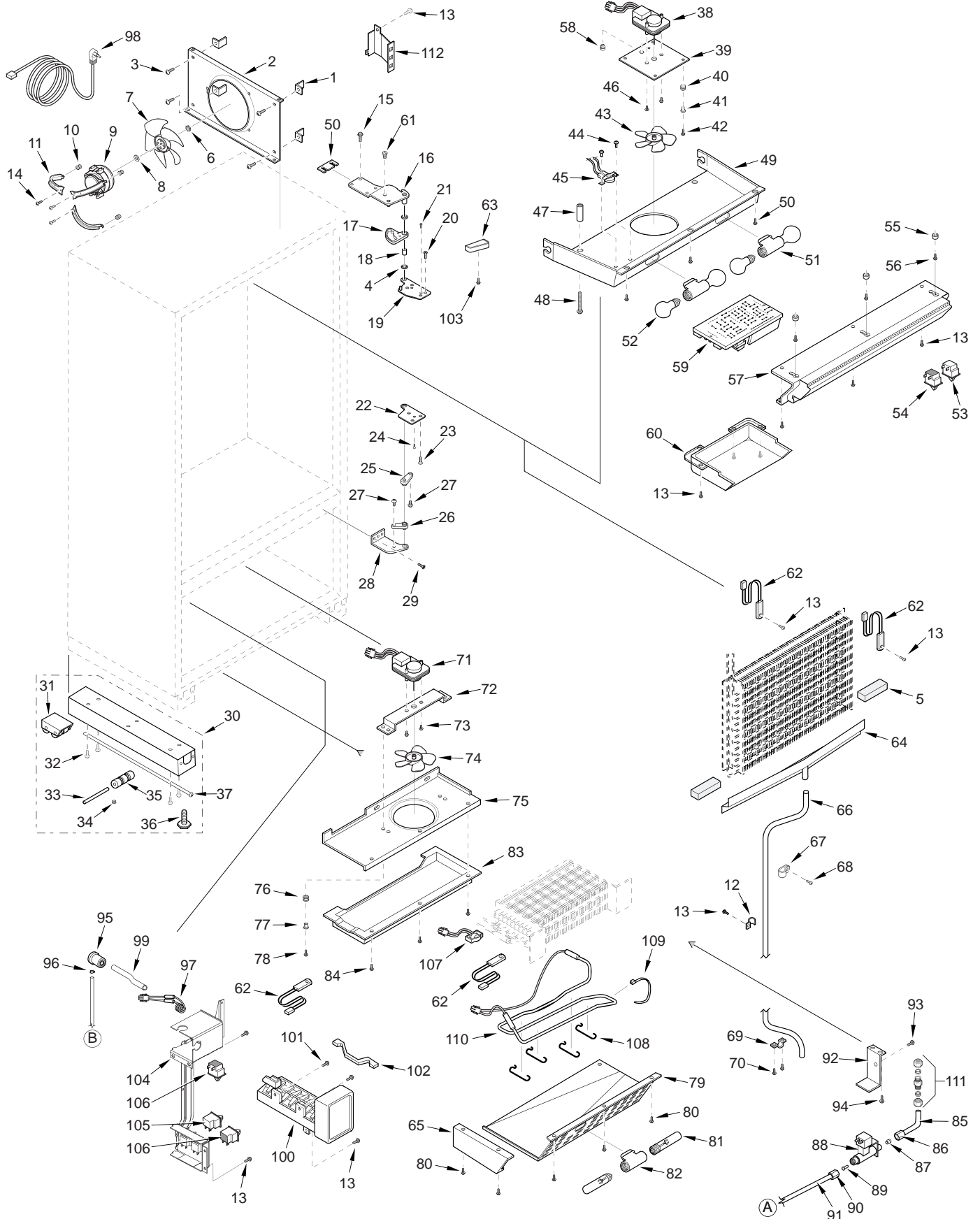
650-3 COSMETIC VIEW



650-3 MECHANICAL PARTS LIST

Ref #	Part #	Description	Ref #	Part #	Description
1	3450290	Bracket, A ngle #8a	52	3030030	Light Bulb, 40 Watt
2	0261200	Shroud, Cond Fan	53	3060130	SPST Fan/Icemaker Switch (White)
3	6200010	Screw, #10-12 x 3/4" Pan HD		3060131	Switch, Rocker N.O. Black
4	3430120	Bushing, Door	54	3060140	SPST Light Switch (White)
5	6231490	Tape, Foam XLPE		3060141	Switch, Rocker N.C. Black
6	6150410	Nut, 1/4-20	55	6160240	Nylon Spacer
7	3150800	Blade, Condenser Forward-SW	56	6200720	Screw, #8-18 x 1/2 PH Truss HD
8	3210340	Neoprene Silencer, 7/8"	57	4161342	Control Panel Assy
9	4200740	Motor Pkg, Cond Fan (blade not incl.)	58	3220300	Bushing, Strain Relief RT Angle
10	3220360	Grommet, Mtg Brkt	59	4204030	Board, Control SRVC
11	0261150	Bracket, Cond Fan Mounting (3)	60	4152050	Cover Assy, Control
12	6120050	Tube Clamp, Plastic, 5/8"	61	3550770	90° Stop Pin
13	6201270	Screw, #8-18 x 5/8" PH PN SS-Gnd	62	4204150	Thermistor, ASM Srvc Pkg
14	6200490	Screw, #8-32 x 3/8" Slotted Hex T25	63	3541017	Top Cabinet Hinge Cover, RH
15	6110070	Bolt, 1/4-20x3/4 Spinlock Zinc		3541211	Cover, Top Cabinet Hinge-RH,B
16	4151831	Upper Cabinet Hinge - RH		3541213	Cover, Top Cabinet Hinge-RH, P
	4151833	Hinge Assy, Upr Cab-RH, B		3541018	Top Cabinet Hinge Cover, LH
	4151832	Upper Cabinet Hinge - LH		3541212	Cover, Top Cabinet Hinge-LH,B
	4151834	Hinge Assy, Upr Cab-LH, B		3541214	Cover, Top Cabinet Hinge-LH, P
17	3421800	Door Stop Cam	64	0260540	Drain Trough, Ref
	3421801	Cam, Door Stop, B	65	0234300	Fre Evap. Cvr Lft Side
18	3421790	Bearing, Top Door Hinge	66	1601400	Drain Tube, Wire - 1/2" x 72"
19	4151841	Hinge, Door Top - RH	67	6120050	Tube Clamp, Plastic, 5/8"
	4151843	Hinge Assy,Door-Top RH, B	68	6200120	Screw, #10-12 x 1/2" Truss HD
	4151842	Hinge, Door Top - LH	69	6120210	U-Clamp, 5/8"
	4151844	Hinge Assy,Door-Top LH, B	70	6200010	Screw, #10-12 x 3/4" Pan HD
20	6110540	Bolt, #10-24 x 1/2" Flat Socket HD	71	4200160	Freezer Fan Motor Pkg. (Blade not Incl.)
21	6200390	Screw, #6 x 3/8" T25 Flat Head PH	72	0232280	Fan Bracket, Fre
22	0182381	Door Hinge, Bottom; RH	73	6110270	Bolt, #10-32 x 1/4" RD HD
	0182383	Hinge, Bottom Door-RH, B	74	3150640	Fan blade, Ref/Fre Evap.
	0182382	Door Hinge, Bottom; LH	75	4281510	Shroud Assy, Fre Evap
	0182384	Hinge, Bottom Door-LH, B	76	3220250	Grommet, 3/16" x 7/16" x 9/32"
23	6110540	Bolt, #10-24 x 1/2" Flat Socket HD	77	3520120	Brass Insert, Fan Bracket
24	6200390	Screw, #6 x 3/8" T25 Flat Head PH	78	6200670	Screw, #6-18 x 3/4" Teks
25	3420690	Bottom Door Hinge Cam	79	0235230	Cover, Fre Evap
	3420691	Cam, Top Door Closer, B	80	6200120	Screw, #10-12 x 1/2" Truss HD
26	3420681	Bottom Cabinet Hinge Cam, RH	81	3030040	Light Bulb, Long/Narrow; 40 watt
	3420683	Cam, Bottom Door Closer-RH, B	82	3050220	Socket, Light Base Sngl
	3420682	Bottom Cabinet Hinge Cam, LH	83	0234310	Fre Air Duct Assy
	3420684	Cam, Bottom Door Closer-LH, B	84	6200120	Screw, #10-12 x 1/2" Truss HD
27	6110270	Bolt, #10-32 x 1/4" RD HD	85	2600297	Tube, Copper L-Shaped
	6110271	Bolt, #10-32X1/4 RD HD, B	86	3520380	Compression Nut
28	4152011	Cabinet Hinge, Bot - RH	87	3520370	Compression Sleeve
	4152013	Hinge Assy, Lower-RH, B	88	4202790	Water Valve
	4152012	Cabinet Hinge, Bot - LH	89	3520050	Brass Insert, Solenoid
	4152014	Hinge Assy, Lower-LH, B	90	3520030	Icemaker Nylon Nut, 1/4"
29	6110010	Bolt, #10-24 x 1/2" Flat Head UC	91	2600617	Plastic Water Line
30	4110353	Base Assy (w/rollers)	92	0168160	Solenoid Water Valve Bracket
31	4110331	Base Rear Roller Assy	93	6200780	Screw, #10-24 x 1/2" PH Hex Washer
32	6200010	Screw, #10-12 x 3/4" Pan HD	94	6201270	Screw, #8-18 x 5/8" PH PN SS-Gnd
33	3550560	Straight Pin, Base Assy, .312" x 2.88"	95	1607700	Water Inlet Tube
34	3450620	Canoe Clip	96	6220470	Fill Tube Clamp
35	3421240	Cabinet Roller (Single)	97	3070210	Heater, Fill Tube
36	3570050	Leveling Leg, #18-3/8 x 1"	98	3025560	Cord Assy, Power Supply
37	6110580	Adjusting Screw	99	2605410	Water Inlet Tube Extension
38	4200170	Refrig. Fan Motor Pkg. (Blade not Incl.)	100	4200522	Icemaker Assembly
39	0211620	Refrigerator Fan Bracket	101	6200120	Screw, #10-12 x 1/2" Truss HD
40	3220250	Grommet, 3/16" x 7/16" x 9/32"	102	3140400	Icemaker Rudder Arm
41	3520410	Brass Insert, Fan	103	6200140	Screw, #8-15 x 3/8" Truss HD
42	6110270	Bolt, #10-32 x 1/4" RD HD	104	4163071	Switch Assy, Fre Srvc
43	3150640	Fan blade, Ref/Fre Evap.	105	3060140	SPST Light Switch
44	6180010	Pop Rivet, 1/8"	106	3060130	SPST Fan/Icemaker Switch
45	3082140	Light Terminator	107	3082060	Defrost Terminator-55/30 Deg.
46	6110270	Bolt, #10-32 x 1/4" RD HD	108	1801100	Heater Clip
47	6220540	Screw Grommet / Stand-off	109	6120340	Aluminum Strap
48	6201010	Screw, #8-15 x 2" Pan Head	110	4324640	Defrost Heater Assy
49	4161330	Refrig. Fan Shroud Assy	111	3520250	Water Inlet Fitting Assy
50	0168680	Shim - Hinge	112	NA	
51	3050250	Skt, Light MBase DbI			

650-3 MECHANICAL VIEW



650-3 SEALED SYSTEM PARTS LIST

<u>Ref #</u>	<u>Part #</u>	<u>Description</u>
1	4202280	Compressor, (EMI60HER)
2	3112570	Electrical Assy, EGZS60 (For EGZ60 Comp)
	3111460	Relay, Emb 1351408 or 213514083 (For EMI60HER Comp)
	3111470	Overload, TI4TM757NFB (For EMI60HER Comp)
3	3112500	Capacitor, 12MF (For EGZ60)
4	3112420	Term Cvr Spring, EGZ80
5	4201880	Compressor, Refrig. (EMI30HER)
6	3112212	Electrical Assy, EMT30HSC Comp (For EMT30HSC Comp.)
	3111370	Relay, 1351400 (For EMI30HER Compressor)
	3111410	Overload, 4TM734LFB (For EMI30HER Compressor)
7	3112500	Capacitor, 12MF (For EMT30HSC Comp.)
8	3112270	Term Cvr Spring, DC51C
9	3014230	Filter-Drier, High Side
10	0168040	Drier Bracket
11	6201270	Screw, #8-18 x 5/8" PH PN SS-Gnd
12	7002004	Evap, Fre Svce
13	3011130	Freezer Accumulator
14	6200120	Screw, #10-12 x 1/2" Truss HD
15	3130630	Evaporator, Refrig.
16	6201270	Screw, #8-18 x 5/8" PH PN SS-Gnd
17	2600138	Drain Pan Heater Loop
18	3421410	Drain Pan Heater Loop Support
19	6200010	Screw, #10-12 x 3/4" Pan HD
20	6200010	Screw, #10-12 x 3/4" Pan HD
21	6150220	Nut, 5/16-18 Hex Zinc
22	6240050	Flat Washer, 5/16"
23	3150010	Rubber Grommet, Small, 5/8"
	3150170	Rubber Grommet, Large, 15/16"
24	6160030	Spacer, 5/16 x 7/16 x 5/8"
	6160070	Sleeve, 5/16 x 7/16 x 7/8"
25	4251270	Heat Exchanger, Freezer
26	7002008	Condenser, Dual Svce
25	4251270	Heat Exchanger, Freezer
28	6120170	Locking Cable Tie, Red, 11-1/2"
29	3014100	Suction Line Drier (Service Only)

650-3 SEALED SYSTEM VIEW

