

# BLAZING OAK LOGS

## BOCL18, BOCL24 and BOCL30 Installation Instructions

This log set is for use only with the 18TPB, 24TPB and 30TPB engine/grate.

Do not handle these logs with your bare hands. Always wear gloves to prevent skin irritation from ceramic fibers. After handling the logs, wash your hands gently with soap and water to remove any traces of fibers.

**WARNING**

The positioning of the logs is critical to the safe and clean operation of this heater. Sooting and other problems may result if the logs are not properly and firmly positioned in the appliance. Never add additional logs or embellishments such as pine cones, vermiculite or rock wool to the heater. Only use the logs and TPB-RW (rock wool) supplied with the unit.

Failure to position the parts in accordance with diagrams below or to use only parts specifically approved for this heater may result in property damage or personal injury.

### INSTALLING BLAZING OAK LOGS ON BURNER

1. Place right base log (#1) on two pins located on the right side of the grate. See Figure 1.

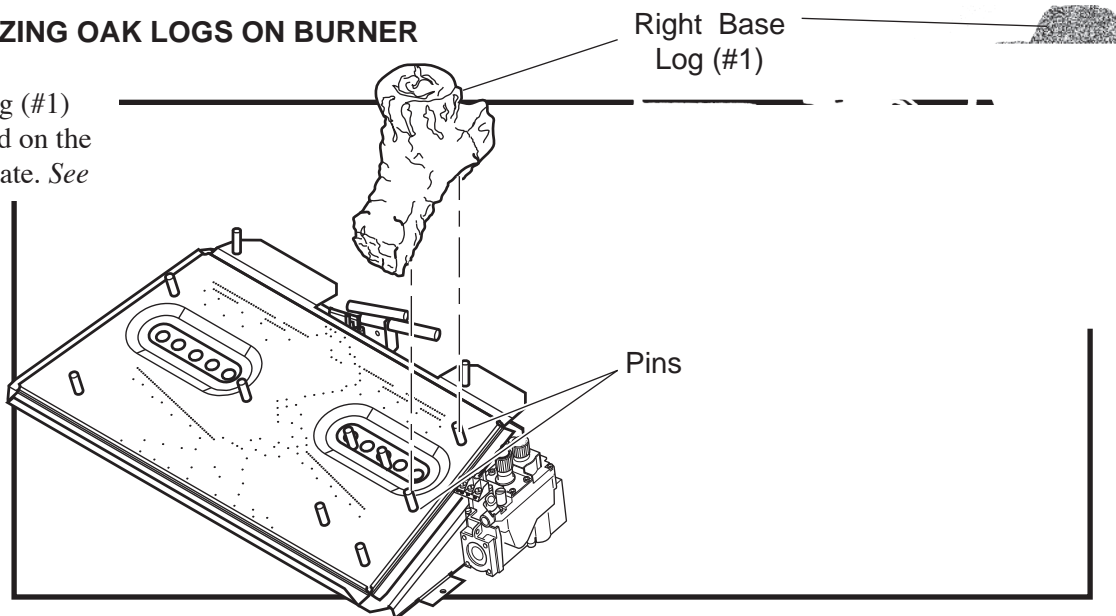


Figure 1 - Installing Right Base Log (#1)

2. Place rear log (#2) on two pins on back of grate allowing the right end of the rear log to rest on top of the right top log. See Figure 2.

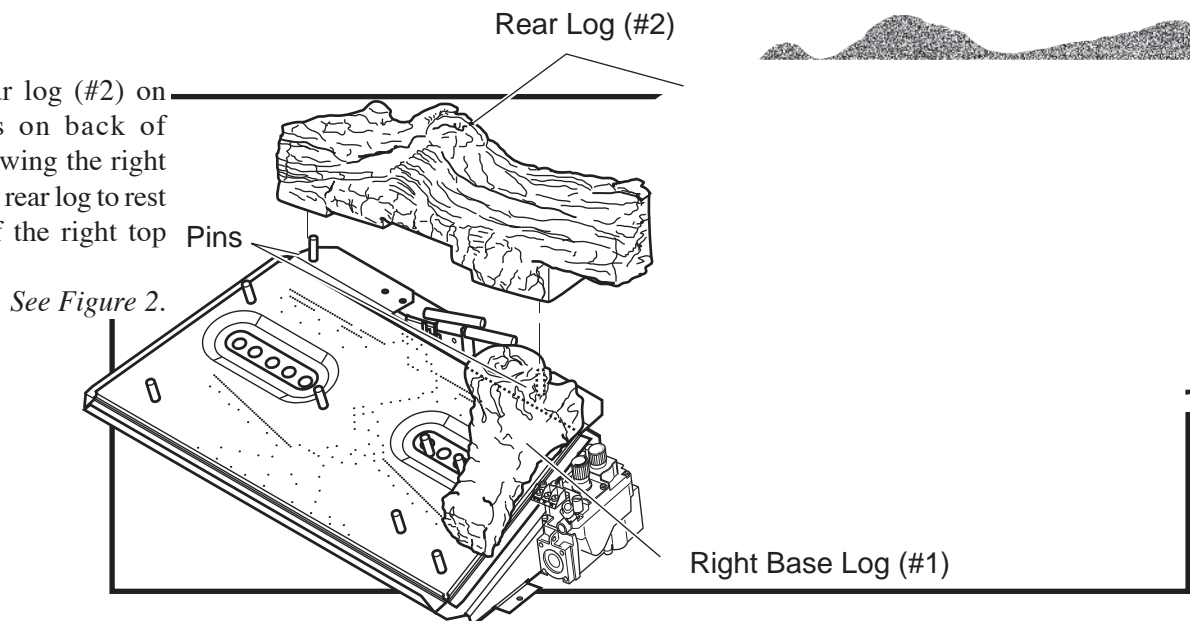


Figure 2 - Installing Rear Log (#2)

Continued





