



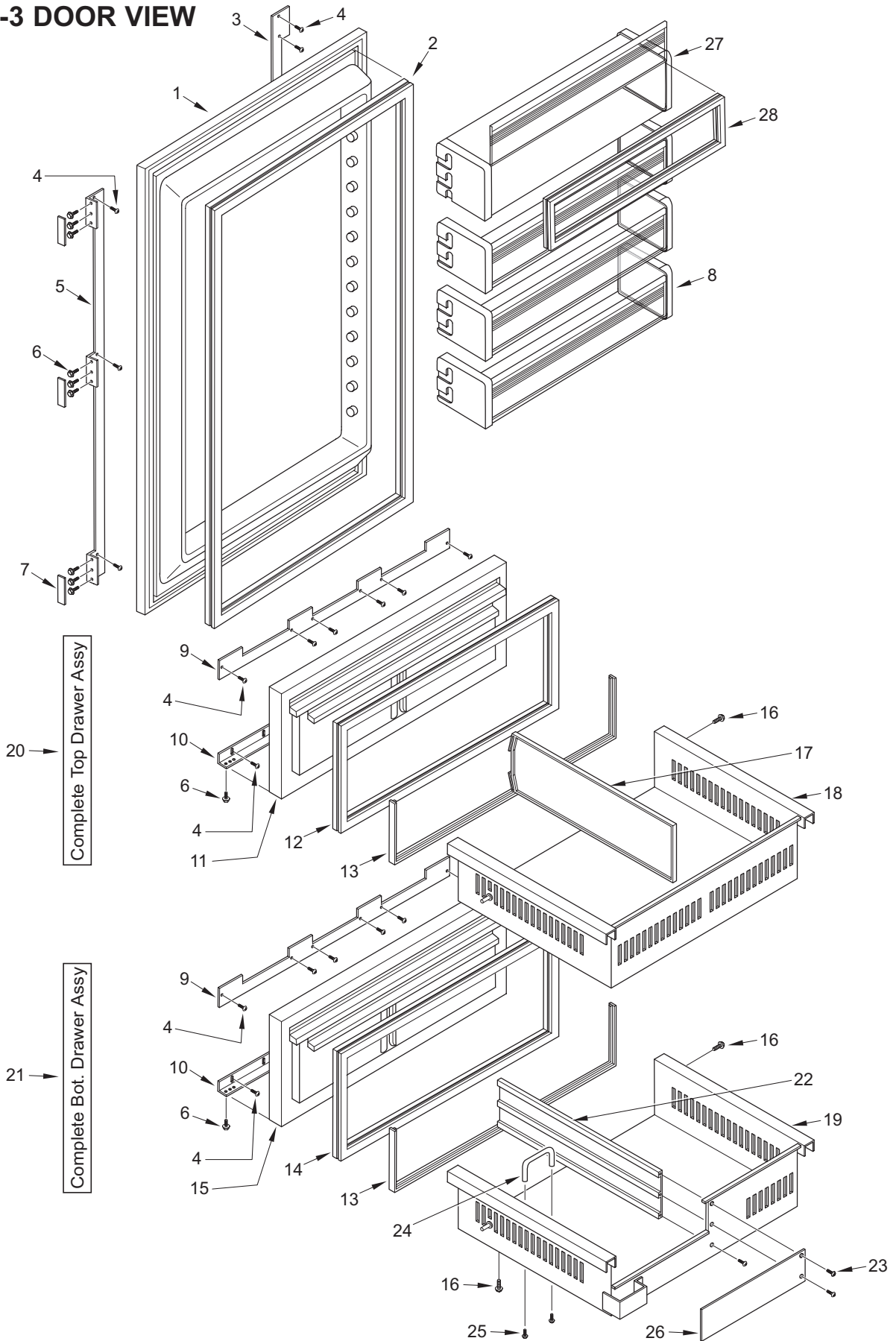
700TC/I-3 DOOR PARTS LIST

<u>Ref #</u>	<u>Part #</u>	<u>Description</u>	<u>Ref #</u>	<u>Part #</u>	<u>Description</u>
1	4202011	Door Assy, RH (<i>Hinges not include</i>)	15	4131750	Lower Drawer Front Assy
	4202012	Door Assy, LH (<i>Hinges not include</i>)	16	6200110	Screw, #10-12 x 5/8" Truss SS
2	3212210	Gasket, Door	17	3414020	Divider, Top Drawer
3	3421960	Brkt, Door Panel Mtg Handle Side	18	3414000	Tub, Upr Drawer
4	6200720	Screw, #8-18 x 1/2 PH Truss HD	19	3414010	Tub, Lwr Drawer
5	3421950	Brkt, Door Panel Mtg Hinge Side	20	4134410	Drawer Assy, Top
6	6201500	Screw, #10X3/4 Drill PH Hex Was	21	4134420	Drawer Assy, Bottom w/IM
7	3421490	Panel Bracket Cover	22	3414030	Divider, Bottom Drawer
8	4181270	Door Shelf Assembly	23	6200710	Screw, #8-18 x 3/8" Fillister HD
9	3421930	Bracket, Door Panel-Upper	24	3511040	3" Wire Pull (with IM only)
10	3421940	Bracket, Door Panel-Lower	25	6200080	Screw, #8-15X1/2" Truss HD (w/IM only)
11	4131720	Upper Drawer Front Assembly		3550400	Hole Plug (w/o IM only)
12	3212220	Gasket, Drawer-UPR	26	3412420	Filler Plate, Drawer Tub Lwr (w/o IM only)
13	3211560	Seal, Tub White 37-5/8"	27	4181260	Dairy Compartment Assy (Includes Seal)
14	3212230	Gasket, Drawer-LWR	28	3211550	Diary Compartment Seal

NOTE: Door/Drawer panels on this model are a sales accessories. For part numbers of complete door panel sets or components of the door panel sets, contact the factory.



700TC/I-3 DOOR VIEW



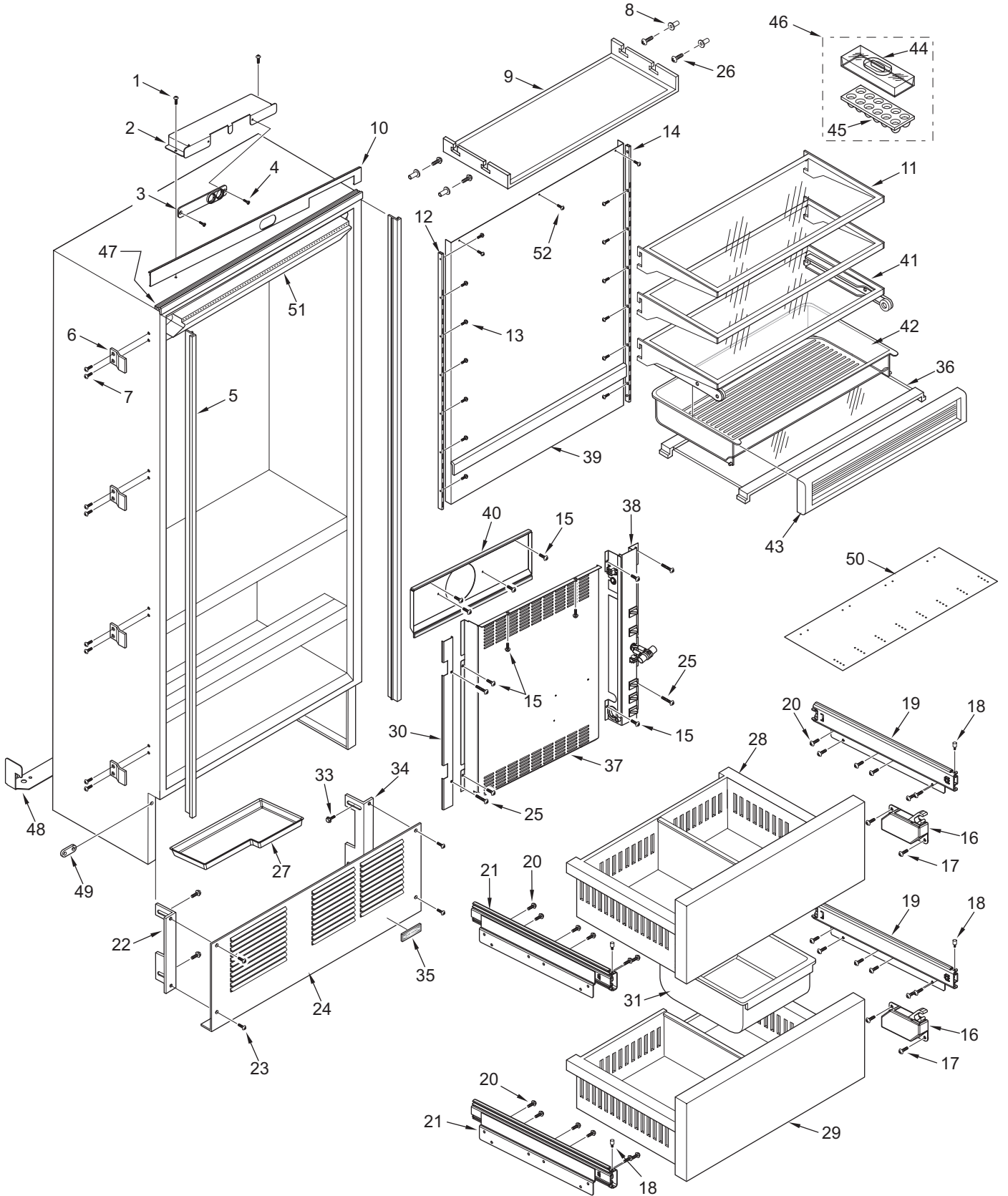


700TC/I-3 COSMETIC PARTS LIST

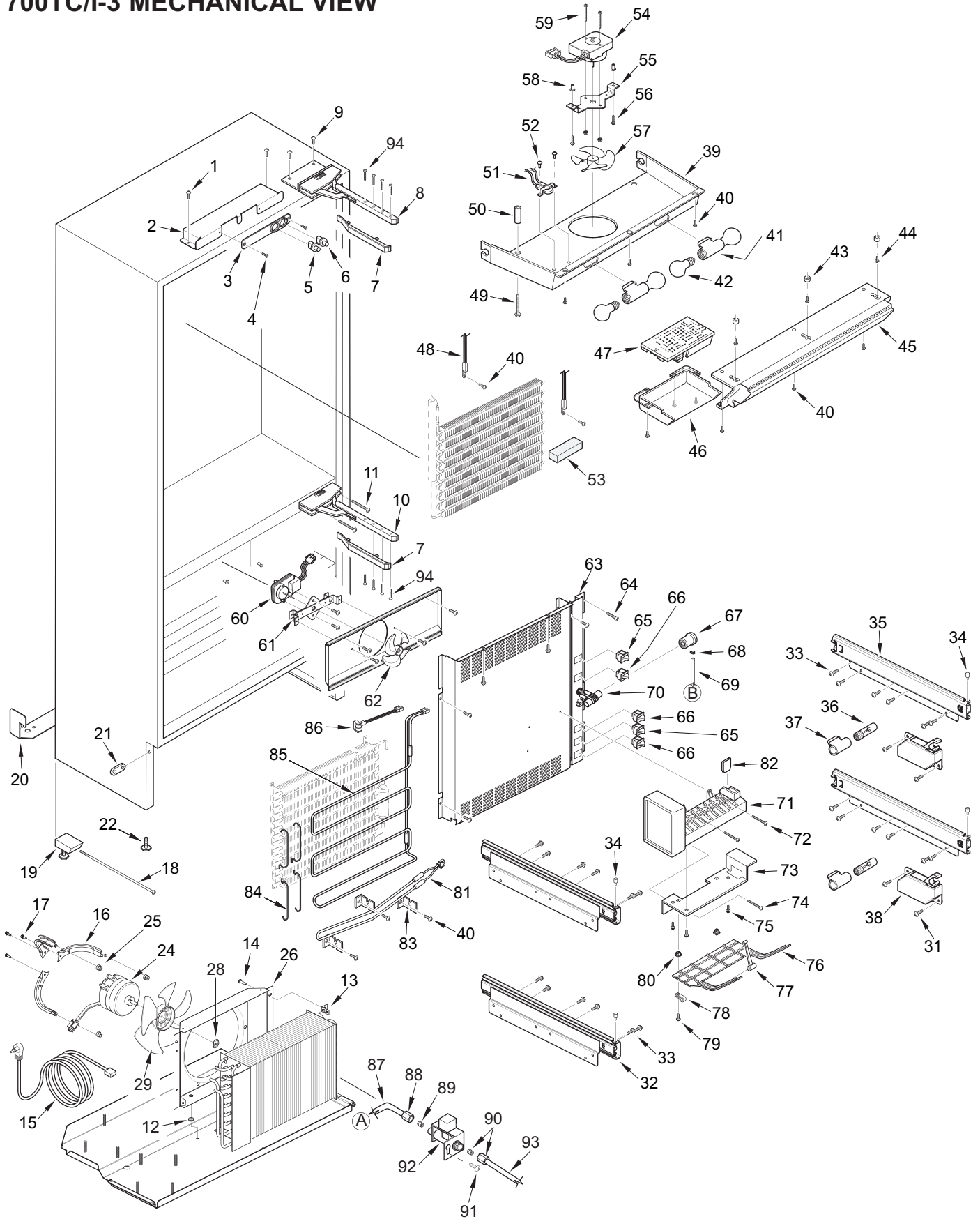
<u>Ref #</u>	<u>Part #</u>	<u>Description</u>	<u>Ref #</u>	<u>Part #</u>	<u>Description</u>
1	6200010	Screw, #10-12 x 3/4" Pan HD	28	4134410	Drawer Assy, Top (See DOOR PARTS LIST for breakdown)
2	4161203	Switch Box Assy, Door (RH)	29	4134420	Drawer Assy, Bottom w/IM (See DOOR PARTS LIST for breakdown)
	4161204	Switch Box Assy, Door (LH)	30	0234680	Cover, Heat Exchanger
3	3450920	Bracket, Switch Mounting	31	3412080	Bucket, Ice
4	6200210	Screw, #8-32 x 1/2" Flat Head	32	NA	
5	3516010	Molding, Side	33	6200780	Screw, #10-24 x 1/2" PH Hex Wash
6	3421510	Bracket, Ref to Cabinet	34	0167662	Kickplate Bracket - LS
7	6200720	Screw, Tap, #8 x 1/2" PH FL HD	35	3580170	Nameplate
8	3520420	Insert / Diffuser Stand-off	36	4181320	Tray, Glass Lwr-Low
9	4161140	Light Diffuser Assy	37	4161190	Cold Plate Assy, Fre
10	3516451	Molding, Top RH	38	0263260	Box, Switch, Fre
	3516452	Molding, Top LH		4161151	Switch Box Assy, Fre TCI3 Srvc
11	3602320	Shelf, Glass Cantilever		4161152	Switch Box Assy, Fre TC3 Srvc
12	3602270	Shelf Ladder, Left	39	4281691	Cold Plate Assy, Ref Srvc
13	6200710	Screw, #8-18 x 3/8" Fillister HD	40	4281300	Plate Assy, Fre Orifice SRVC
14	3602280	Shelf Ladder, Right	41	4181291	Shelf Assy, Deli-RH
15	6201270	Screw, #8-18 x 5/8" PH PN SS-Gnd		4181292	Shelf Assy, Deli-LH
16	3541020	Closer, Drawer-RH	42	4181300	Tray Assy, Deli - 4" (Complete)
17	6200110	Screw, #10-12 x 5/8" Truss SS	43	NA	See 4181300
18	3550720	Pin, White Thread	44	3412280	Egg Tray Cover
19	4134430	Drawer Assy, Slide-RH	45	3412270	Egg Tray
20	6202030	Screw, 1/4-20 x 1/2" But HD, Patchlk	46	4131810	Egg Tray with Cover
21	4134440	Drawer Assy, Slide-LH	47	4152070	Trim Assy, Top
22	0167661	Kickplate Bracket - RS	48	0167550	Bracket, Anti-Tip
23	6200050	Screw, #10-12 x 1/2" Pan HD	49	3421460	Bracket, Unit to Unit
24	3530430	Grille, Kickplate	50	3754220	Door Panel Drilling Template
25	6201120	Screw, #8-18 X 2 Truss Hd	51	4162590	Control Panel Assy, Service
26	6201330	Screw, #8 PH-Pan Head 1"	52	6202050	Screw, #8-18X1/2 Ph Pn SS-Gnd
27	0263080	Drain Pan, 700			



700TC/I-3 COSMETIC VIEW



700TC/I-3 MECHANICAL VIEW





700TC/I-3 SEALED SYSTEM PARTS LIST

<u>Ref #</u>	<u>Part #</u>	<u>Description</u>
1	7002345	Compressor Assy, EGUS70HLP Svce
2	3112621	Electrical Assy, EGUS70HLP (Used with EGUS70HLP Comp.)
	3112214	Electrical Assy, EGU70 (Used with EGU70HLC Comp.)
	3111350	Relay, (8EA403) (Used with FGS70HA Comp.)
	3111380	Overload, (4TM283ULB) (Used with FGS70HA Comp.)
3	3112500	Capacitor (12Mf) (Used with EGUS70HLP Comp.)
	3111270	Capacitor (20Mf) (Used with EGU70HLC & FGS70HA Comp's.)
4	3112420	Term Cvr Spring, EGZ80 (Used with EGUS70HLP & EGU70HLC Comp.)
5	4201880	Compressor, Refrig. (EMI30HER - Service Compressor)
	3111370	Relay, (1351400 - Used w/EMI30HER Service Comp.)
	3111410	Overload, (4TM734LFB - Used w/EMI30HER Service Comp.)
6	3112211	Electrical Assy, EMU30HSC (Used with EMU30HSC Production Comp.)
7	3112500	Capacitor, 12MF (Used with EMU30HSC Production Comp.)
8	3112420	Term Cvr Spring, EGZ80 (Used with EMT30HSC Production Comp.)
9	3014230	Filter-Drier, High Side
10	0260341	Bracket, Drier
11	6120170	Locking Cable Tie, Red, 11-1/2"
12	3014100	Drier, Suction Line (Service Only)
13	6150220	Nut, 5/16-18 Hex Zinc (4 each compressor)
14	6240050	Washer, Flat 5/16" (4 each compressor)
15	6160070	Sleeve, 5/16 x 7/16 x 7/8" (4 each compressor)
16	3150170	Rubber Grommet, Large, 15/16" (4 each compressor)
17	3120340	Condenser
18	NA	Tray, Unit - Special Order, Contact Factory
19	3130640	Evaporator, Ref
20	4251680	Heat Exch, Upper
21	6201270	Screw, #8-18 x 5/8" PH PN SS-Gnd
22	3130540	Evaporator, Fre
23	NA	
24	4251510	Heat Exch, Fre
25	6201270	Screw, #8-18 x 5/8" PH PN SS-Gnd
26	6231490	Tape, Foam XLPE



700TC/I-3 SEALED SYSTEM VIEW

