

This Owner's Manual is provided and hosted by [Appliance Factory Parts](#).



SUBZERO 700TFI-2V Owner's Manual

[Shop genuine replacement parts for SUBZERO
700TFI-2V](#)



Appliance Factory Parts
© 2017 www.appliancefactoryparts.com

[Find Your SUBZERO Refrigerator Parts - Select From 117 Models](#)

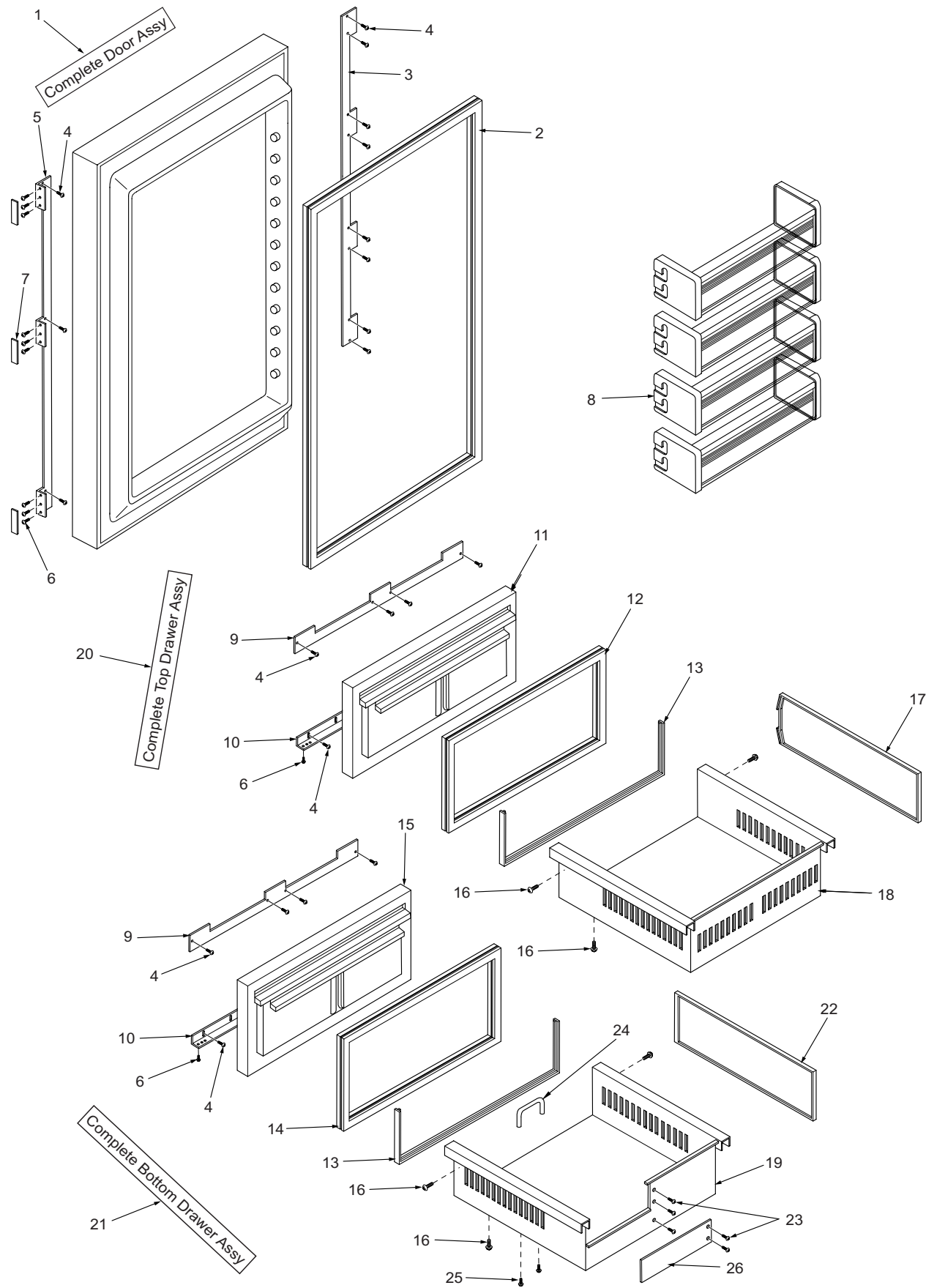
----- Manual continues below -----

700TF/I-2 & 700TF/I-2V DOOR & DRAWER VIEW PARTS LIST

| <u>Ref #</u> | <u>Part #</u> | <u>Description</u> |
|--------------|---------------|---|
| 1 | 4202011 | Door Assy, RH (<i>Hinges & Shelves not include</i>) |
| | 4202012 | Door Assy, LH (<i>Hinges & Shelves not include</i>) |
| 2 | 3211510 | Door Gasket |
| 3 | 0183610 | Door Panel Brkt-Handle Side |
| 4 | 6200720 | Screw, #8-18 x 1/2 PH Truss HD |
| 5 | 0183600 | Door Panel Brkt-Hinge Side |
| 6 | 6201500 | Screw, #10X3/4 Drill PH Hex Was |
| 7 | 3421490 | Panel Bracket Cover |
| 8 | 4181270 | Door Shelf Assembly |
| 9 | 0183580 | Drawer Panel Bracket-Upper |
| 10 | 0183590 | Drawer Panel Bracket-Lower |
| 11 | 4131720 | Upper Drawer Front Assembly |
| 12 | 3211520 | Upper Drawer Gasket |
| 13 | 3211560 | Seal, Tub White 37-5/8" |
| 14 | 3211540 | Lower Drawer Gasket |
| 15 | 4131750 | Lower Drawer Front Assy |
| 16 | 6200110 | Screw, #10-12 x 5/8" Truss SS |
| 17 | 3414020 | Divider, Top Drawer |
| 18 | 3414000 | Tub, Upr Drawer |
| 19 | 3414010 | Tub, Lwr Drawer |
| 20 | 4134410 | Drawer Assy, Top |
| 21 | 4134420 | Drawer Assy, Bottom w/IM |
| 22 | 3414030 | Divider, Bottom Drawer |
| 23 | 6200710 | Screw, #8-18 x 3/8" Fillister HD |
| 24 | 3511040 | 3" Wire Pull (with IM only) |
| 25 | 6200080 | Screw, #8-15 x 1/2" Truss HD (with IM only) |
| | 3550400 | Hole Plug (w/o IM only) |
| 26 | 3412420 | Filler Plate, Drawer Tub Lower (w/o IM only) |

NOTE: Door/Drawer panels on this model are a sales accessory. For part numbers of complete door panel sets or components of the door panel sets, contact the factory.

700TF/I-2 & 700TF/I-2V DOOR & DRAWER VIEW





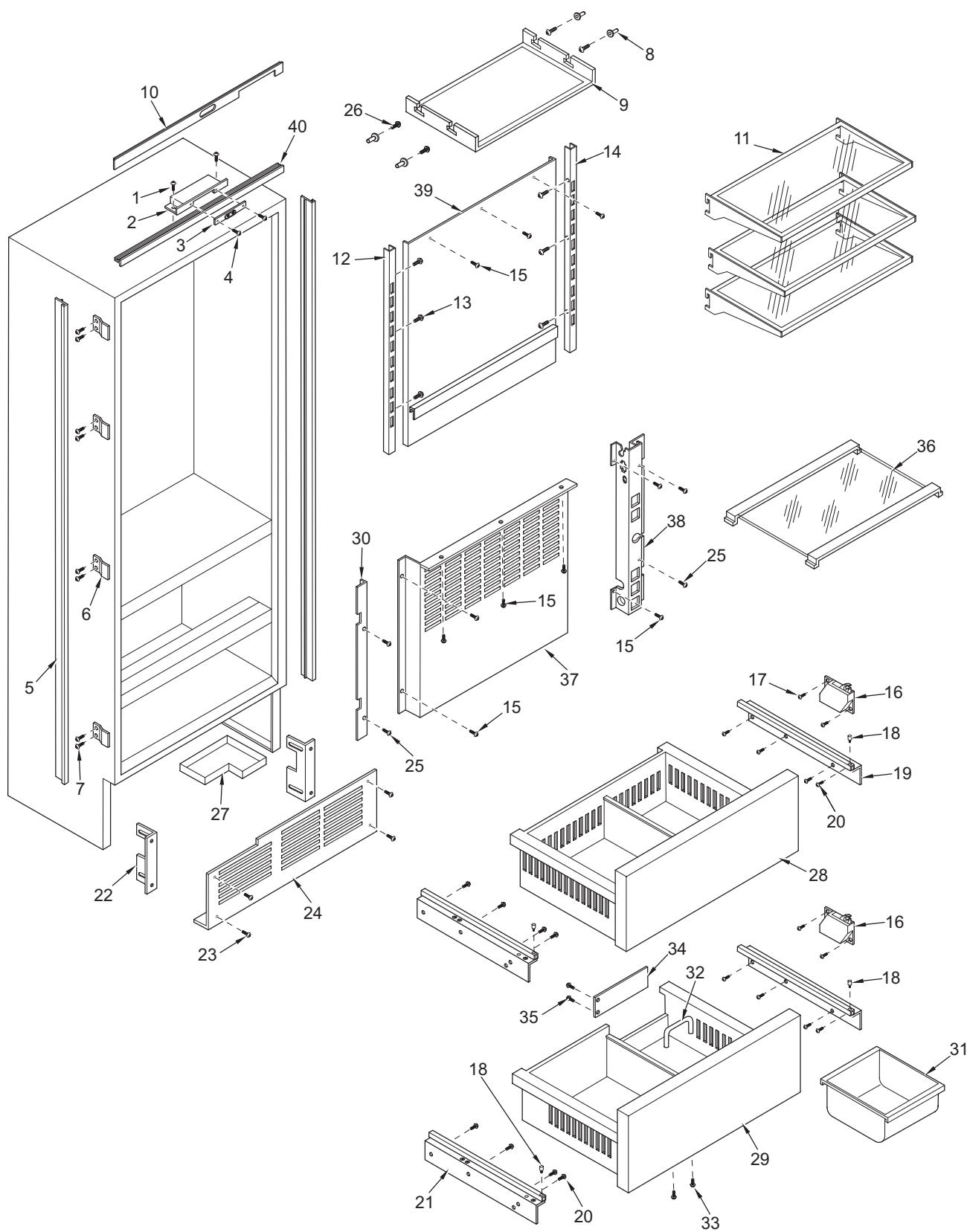
700TF/I-2 & 700TF/I-2V COSMETIC VIEW PARTS LIST

| <u>Ref #</u> | <u>Part #</u> | <u>Description</u> | <u>Ref #</u> | <u>Part #</u> | <u>Description</u> |
|--------------|---------------|----------------------------------|--------------|---------------|------------------------------------|
| 1 | 6200010 | Screw, #10-12 x 3/4" Pan HD | 22 | 0167661 | Kickplate Bracket - RS |
| 2 | 0212470 | Box, Ref Switch | | 0167662 | Kickplate Bracket - LS |
| 3 | 3450920 | Bracket, Switch Mounting | | 6200780 | Screw, #10-24 x 1/2" PH Hex Wash |
| 4 | 6200210 | Screw, #8-32 x 1/2" Flat Head | 23 | 6200050 | Screw, #10-12 x 1/2" Pan HD |
| 5 | 3516010 | Molding, Side | 24 | 3530430 | Kickplate/Grille |
| 6 | 3421510 | Bracket, Unit to Cabinet | 25 | 6201120 | Screw, #8-18 x 1.75 Truss SS |
| 7 | 6200720 | Screw, Tap, #8 x 1/2" PH FL HD | 26 | 6201330 | Screw, #8 PH-Pan Head 1" |
| 8 | 3520420 | Insert / Diffuser Stand-off | 27 | 0168880 | Pan, Drain |
| 9 | 4161140 | Light Diffuser Assy | 28 | 4134410 | Drawer Assy, Top |
| 10 | 3516451 | Molding, Top RH | 29 | 4134420 | Drawer Assy, Bottom w/IM |
| | 3516452 | Molding, Top LH | 30 | 0234680 | Cover, Heat Exchanger |
| 11 | 3602320 | Shelf, Glass Cantilever | 31 | 3412080 | Ice Bucket |
| 12 | 3602270 | Shelf Ladder, Left | 32 | 3511040 | 3" Wire Pull (with IM only) |
| 13 | 6200710 | Screw, #8-18 x 3/8" Fillister HD | 33 | 6200080 | Screw, #8-15 x 1/2" (with IM only) |
| 14 | 3602280 | Shelf Ladder, Right | | 3550400 | Hole Plug (w/o IM only) |
| 15 | 6201270 | Screw, #8-18 x 5/8" PH PN SS-Gnd | 34 | 3412420 | Filler Plate, Drawer (w/o IM only) |
| 16 | 3541020 | Drawer Closer | 35 | 6200710 | Screw, #8-18 x 3/8" Fillister HD |
| 17 | 6200110 | Screw, #10-12 x 5/8" Truss SS | 36 | 4181330 | Lower Glass Tray |
| 18 | 3550720 | White Thread Pin | 37 | 4161310 | Cold Plate Assy, Lower |
| 19 | 4134430 | Drawer Assy, Slide-RH | 38 | 0260350 | Enclosure, Switch |
| 20 | 6201140 | Screw, 1/4-20 x 1/2" Sems But HD | 39 | 4281130 | Cold Plate Assy, Upr |
| 21 | 4134440 | Drawer Assy, Slide-LH | 40 | 4152070 | Trim Assy, Top |

NOT PICTURED

| | |
|---------|------------------------------|
| 3580170 | Nameplate |
| 3754220 | Door Panel Drilling Template |
| 3421460 | Bracket-Unit to Unit |

700TF/I-2 & 700TF/I-2V COSMETIC VIEW





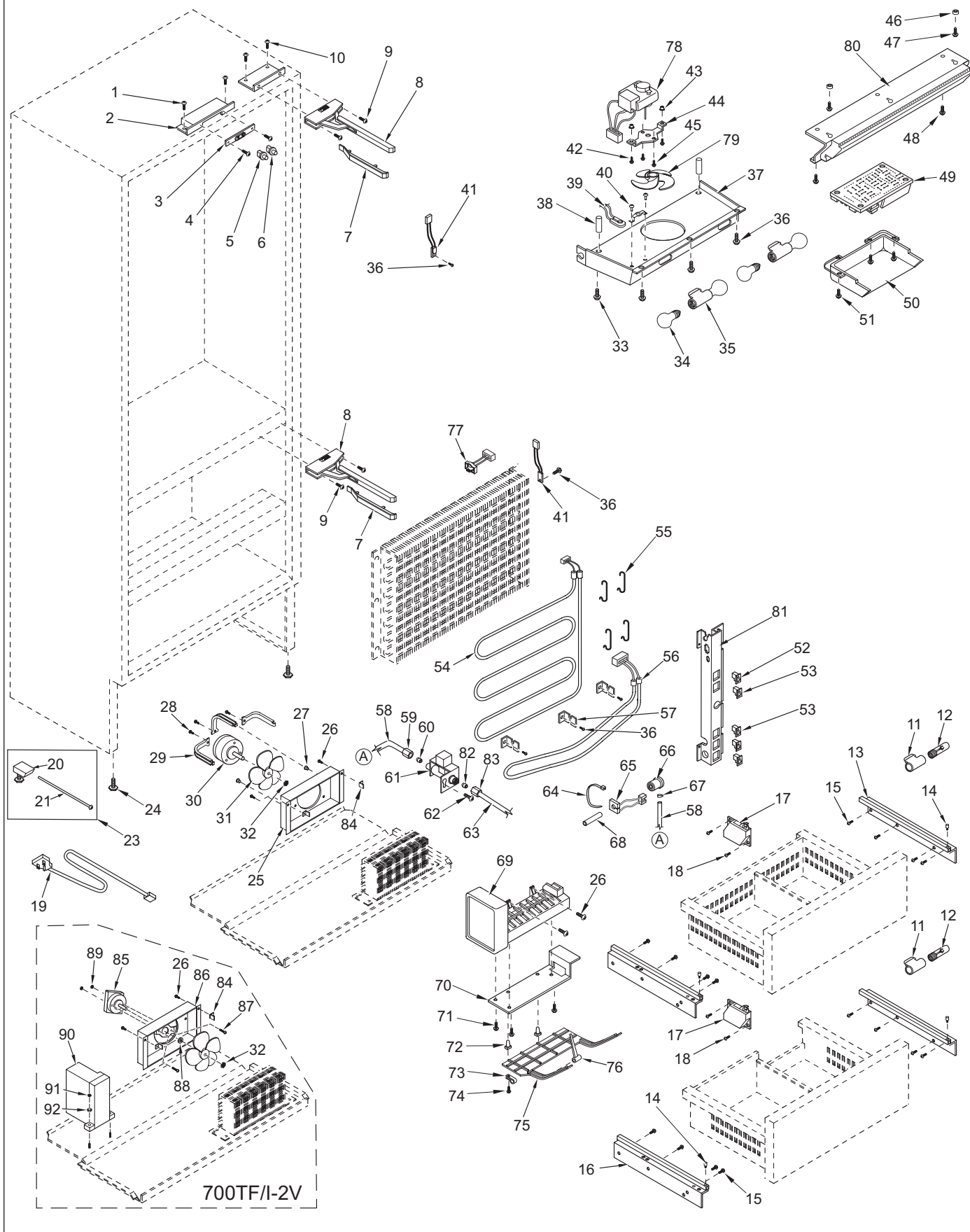
700TF/I-2 & 700TF/I-2V MECHANICAL VIEW PARTS LIST

| Ref # | Part # | Description | Ref # | Part # | Description |
|-------|---------|--|-------|---------|--|
| 1 | 6200010 | Screw, #10-12 x 3/4" Pan HD | 48 | 6201270 | Screw, #8-18 x 5/8" PH PN SS-Gnd |
| 2 | 0212470 | Box, Ref Switch | 49 | 4203320 | Pckg, Cntrl Board (See SN Breaks) |
| 3 | 3450920 | Bracket, Switch Mounting | | 4203520 | Pckg, Cntrl Board (See SN Breaks) |
| 4 | 6200210 | Screw, #8-32 x 1/2" Flat Head | | 4203790 | Pckg, Cntrl Board (See SN Breaks) |
| 5 | 3060030 | Light Switch, N/C | | 4324860 | Wire Hrns,Cntl Brd (See SN Breaks) |
| 6 | 3060020 | Fan Switch, N/O | 50 | 4152050 | Cover Assy, Control |
| 7 | 3541050 | Hinge Cover | 51 | 6201270 | Screw, #8-18 x 5/8" PH PN SS-Gnd |
| 8 | 3541031 | Hinge Assy, TOP - RH | 52 | 3060140 | SPST Light Switch |
| | 3541032 | Hinge Assy, TOP - LH | 53 | 3060130 | SPST Fan/Icemaker Switch |
| | 3541041 | Hinge Assy, MDL - RH | 54 | 4324890 | Heater Assy, Defrost |
| | 3541042 | Hinge Assy, MDL - LH | 55 | 1801100 | Heater Clip |
| 9 | 6201140 | Screw, 1/4-20 x 1/2" Sems But HD | 56 | 3070150 | Heater, Drain Trough |
| 10 | 6200780 | Screw, #10-24 x 1/2" PH Hex Wash | 57 | 0234620 | Bracket, Heater |
| 11 | 3050010 | Light Socket, 3/4 Sngl (See SN Breaks) | 58 | 2600617 | Plastic Water Line |
| | 3050220 | Skt,Light Int Base Sngl(See SN Breaks) | 59 | 3520030 | Icemaker Nylon Nut, 1/4" |
| 12 | 3030060 | Light Bulb, 25 Watt | 60 | 3520050 | Brass Insert, Solenoid |
| 13 | 4134430 | Drawer Assy, Slide-RH | 61 | 4202790 | Water Valve |
| 14 | 3550720 | White Thread Pin | 62 | 6200780 | Screw, #10-24 x 1/2" PH Hex Wash |
| 15 | 6201140 | Screw, 1/4-20 x 1/2" Sems But HD | 63 | 2604194 | Tube, Water Line |
| 16 | 4134440 | Drawer Assy, Slide-LH | 64 | 6120450 | Locking Cable Tie 9.7" BLK |
| 17 | 3541020 | Drawer Closer | 65 | 3013820 | Fill Tube Heater |
| 18 | 6200110 | Screw, #10-12 x 5/8" Truss SS | 66 | 1607600 | Water Inlet Tube |
| 19 | 4324800 | Retractor Assy, Power Cord | 67 | 6220470 | Fill Tube Clamp |
| 20 | NA | See 4202000 | 68 | 2605405 | Fill Tube Extension |
| 21 | 3421500 | Adjusting Rod | 69 | 4200520 | Modular Icemaker |
| 22 | NA | NA | 70 | 0167700 | Bracket, Icemaker |
| 23 | 4202000 | Rear Leveler Assembly | | 6120360 | Snap-in Wire Clip (Not Shown) |
| 24 | 3570060 | Bolt, Leveler 3/8-16 | 71 | 6201000 | Screw #8-32X3/8 Thread Forming |
| 25 | 4281310 | Shroud Assy, Cond Fan | 72 | 6220220 | Screw Grommet, 1/32 x 3/8" SQ |
| | 3220370 | Grommet, 1/4" X 3/16" (Not Shown) | 73 | 6120280 | Clamp, Tube Nylon 3/16" |
| 26 | 6200010 | Screw, #10-12 x 3/4" Pan HD | 74 | 6200140 | Screw, #8-15 x 3/8" Truss HD |
| 27 | 3220360 | Grommet, Mtg Brkt | 75 | 3140300 | Icemaker Control Arm |
| 28 | 6201000 | Screw #8-32X3/8 Thread Forming | 76 | 3421070 | Rod, Connecting |
| 29 | 0167430 | Cond Fan Mtg Brkt (3 Required) | 77 | 3082090 | Defrost Terminator |
| 30 | 4200740 | Motor Pkg, Cond Fan | 78 | 4200160 | Fre Fan Motor |
| 31 | 3150320 | Fan Blade, Cond -5 prop, 7" | 79 | 3150570 | Fan Blade (See SN Breaks) |
| 32 | 6150410 | Nut, 1/4-20 | | 3150640 | Fan Blade (See SN Breaks) |
| 33 | 6201010 | Screw, #8-15 x 2" Pan Head | 80 | 4162610 | Control Panel Assy |
| 34 | 3030030 | Light Bulb, 40 Watt | 81 | 0260350 | Enclosure, Switch |
| 35 | 3050180 | Light Socket, Dbl (See SN Breaks) | | 4161290 | Switch Enclsr Assy (700TFI-2, 700TFI-2V) |
| | 3050250 | Skt, Light M Base Dbl (See SN Breaks) | | 4161770 | Switch Enclsr Assy (700TF-2, 700TF-2V) |
| 36 | 6201270 | Screw, #8-18 x 5/8" PH PN SS-Gnd | 82 | 3520370 | Compression Sleeve |
| 37 | 4281140 | Shroud Assy, Fan (See SN Breaks) | 83 | 3520380 | Compression Nut |
| | 4230540 | Shroud Assy, Fan (See SN Breaks) | 84 | 3450290 | Angle Bracket |
| 38 | 6220540 | Screw Grommet/Stand-off, 1.375 | 85 | 4203780 | Motor Pkg, Cond. Fan, Slow Speed |
| 39 | 3082140 | Light Terminator | 86 | 4281430 | Shroud Assy, Cond Fan |
| 40 | 6180010 | Pop Rivet, 1/8" | 87 | 6201440 | Screw, #8-32 X 1-3/4 Phil Hd |
| 41 | 3014350 | Thermistor | 88 | 3210340 | Neoprene Silencer, 7/8" |
| 42 | 6201470 | Screw, #8-32X3/4 SS | 89 | 6201450 | Nut, #8-32 |
| 43 | 6150850 | Wellnut, #8-32 | 90 | 4203770 | Box, Control, VS Compressor |
| 44 | 0260370 | Bracket, Fan | 91 | 6150410 | Nut, 1/4-20 |
| 45 | 6110270 | Bolt, #10-32 x 1/4" RD HD | 92 | 6240040 | Flat Washer, 1/4" |
| 46 | 6160240 | Nylon Spacer | | | |
| 47 | 6200720 | Screw, Tap, #8 x 1/2" PH FL HD | | | |

NOT PICTURED

0167550 Anti-Tip Bracket

700TF/I-2 & 700TF/I-2V MECHANICAL VIEW



700TF/I-2 & 700TF/I-2V SEALED SYSTEM VIEW PARTS LIST

| <u>Ref #</u> | <u>Part #</u> | <u>Description</u> |
|--------------|---------------|--|
| 1 | 4202250 | Compressor, Freezer (DA73) for 700TF/I-2 |
| | 4203760 | Comp, Variable Speed (EMB VEGT-7) for 700TF/I-2V |
| | 3111350 | Relay (For RG108 Comp) |
| | 3111420 | Overload (For RG108 Comp) |
| | 3111133 | Capacitor (For RG108 Comp) |
| | 3111041 | Relay (For DA 73 Comp) |
| | 3111430 | Overload (For DA 73 Comp) |
| | 3111070 | Capacitor (For DA 73 Comp) |
| | 3111212 | Relay (For EGU80HLC Comp) |
| | 3111620 | Overload (For EGU80HLC Comp) |
| | 3111270 | Capacitor (For EGU80HLC Comp) |
| | 4323520 | Wire Harness, Run Capacitor (For RG108 Comp) |
| | 0167620 | Capacitor Mount Bracket |
| 2 | 4251510 | Heat Exchanger, Fre |
| 3 | 6150220 | Nut, 5/16-18 Hex Zinc |
| 4 | 6240090 | Lock Washer, 5/16" |
| 5 | 6240050 | Flat Washer, 5/16" |
| 6 | 6160070 | Sleeve, 5/16 x 7/16 x 7/8" |
| 7 | 3150170 | Rubber Grommet, Large, 15/16" |
| 8 | 4311110 | Unit Tray Assembly |
| 9 | 3120400 | Condenser |
| 10 | 6150080 | Nut-Flat, #10-24 |
| 11 | 6110020 | Bolt, #10-24 x 3/8" Truss HD |
| 12 | 3130540 | Evaporator, Freezer |
| 13 | 6201270 | Screw, #8-18 x 5/8" PH PN SS-Gnd |
| 14 | 3014230 | Filter-Drier, High Side |
| 15 | 0260340 | Bracket, Drier |

NOTE: For 700TF/I-2V Compressor Controller, see Mechanical View

700TF/I-2 & 700TF/I-2V SEALED SYSTEM VIEW

