

This Owner's Manual is provided and hosted by [Appliance Factory Parts](#).



# SUBZERO 700TFI-3 Owner's Manual

[Shop genuine replacement parts for SUBZERO  
700TFI-3](#)



[Find Your SUBZERO Refrigerator Parts - Select From 117 Models](#)

----- Manual continues below -----

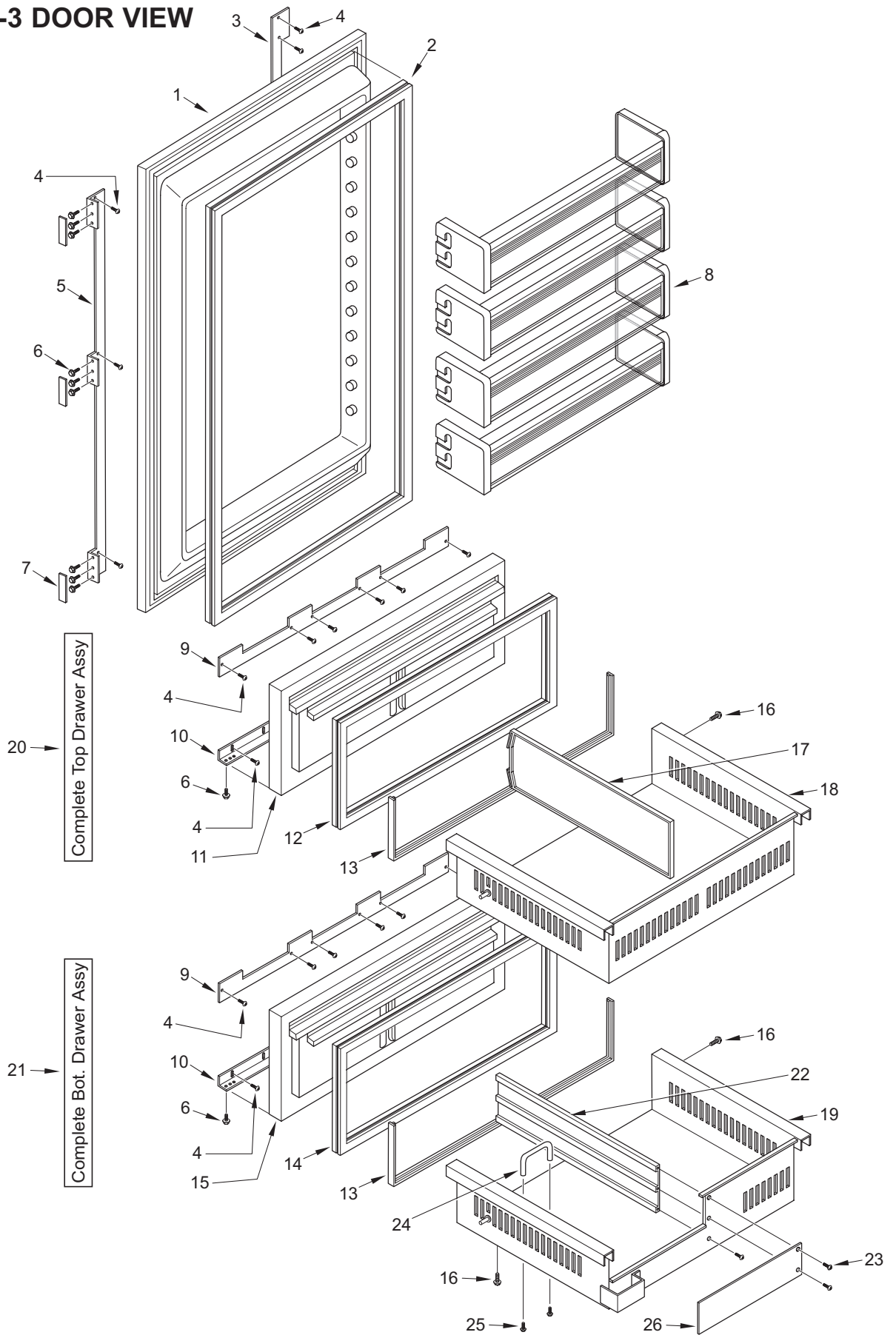


**700TF/I-3 DOOR PARTS LIST**

<u>Ref #</u>	<u>Part #</u>	<u>Description</u>	<u>Ref #</u>	<u>Part #</u>	<u>Description</u>
1	4202011	Door Assy, RH ( <i>Hinges not include</i> )	14	3212230	Gasket, Drawer-LWR
	4202012	Door Assy, LH ( <i>Hinges not include</i> )	15	4131750	Lower Drawer Front Assy
2	3212210	Gasket, Door	16	6200110	Screw, #10-12 x 5/8" Truss SS
3	3421960	Brkt, Door Panel Mtg Handle Side	17	3414020	Divider, Top Drawer
4	6200720	Screw, #8-18 x 1/2 PH Truss HD	18	3414000	Tub, Upr Drawer
5	3421950	Brkt, Door Panel Mtg Hinge Side	19	3414010	Tub, Lwr Drawer
6	6201500	Screw, #10X3/4 Drill PH Hex Was	20	4134410	Drawer Assy, Top
7	3421490	Panel Bracket Cover	21	4134420	Drawer Assy, Bottom w/IM
8	4181270	Door Shelf Assembly	22	3414030	Divider, Bottom Drawer
9	3421930	Bracket, Door Panel-Upper	23	6200710	Screw, #8-18 x 3/8" Fillister HD
10	3421940	Bracket, Door Panel-Lower	24	3511040	3" Wire Pull (with IM only)
11	4131720	Upper Drawer Front Assembly	25	6200080	Screw, #8-15X1/2" Truss HD (w/IM only)
12	3212220	Gasket, Drawer-UPR		3550400	Hole Plug (w/o IM only)
13	3211560	Seal, Tub White 37-5/8"	26	3412420	Filler Plate, Drawer Tub Lwr (w/o IM only)

**NOTE:** Door/Drawer panels on this model are a sales accessories. For part numbers of complete door panel sets or components of the door panel sets, contact the factory.

**700TF/I-3 DOOR VIEW**

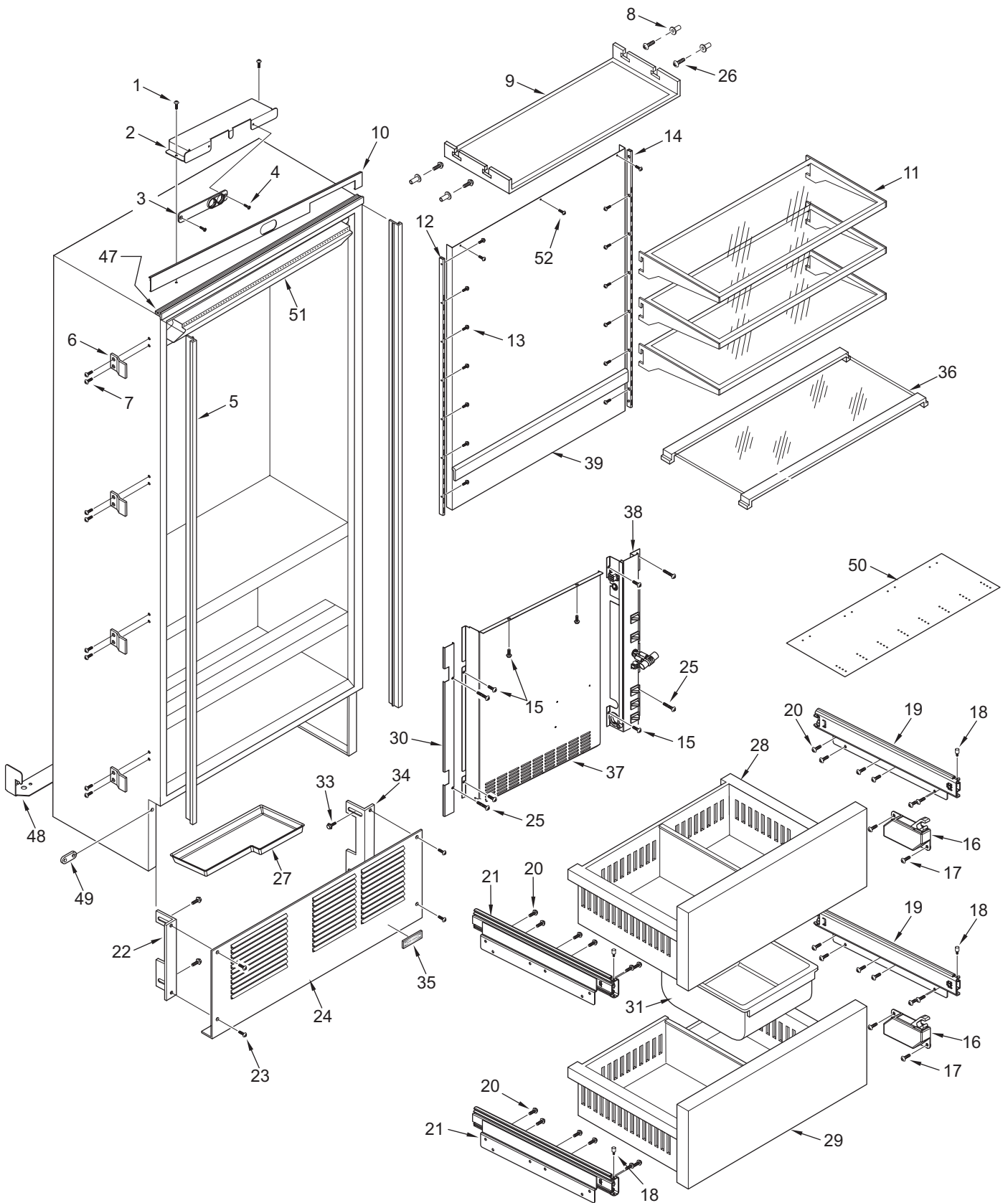




**700TF/I-3 COSMETIC PARTS LIST**

<u>Ref #</u>	<u>Part #</u>	<u>Description</u>	<u>Ref #</u>	<u>Part #</u>	<u>Description</u>
1	6200010	Screw, #10-12 x 3/4" Pan HD	28	4134410	Drawer Assy, Top (See DOOR PARTS LIST for breakdown)
2	4161203	Switch Box Assy, Door (RH)	29	4134420	Drawer Assy, Bottom w/IM (See DOOR PARTS LIST for breakdown)
	4161204	Switch Box Assy, Door (LH)	30	0234680	Cover, Heat Exchanger
3	3450920	Bracket, Switch Mounting	31	3412080	Bucket, Ice
4	6200210	Screw, #8-32 x 1/2" Flat Head	32	NA	
5	3516010	Molding, Side	33	6200780	Screw, #10-24 x 1/2" PH Hex Wash
6	3421510	Bracket, Ref to Cabinet	34	0167662	Kickplate Bracket - LS
7	6200720	Screw, Tap, #8 x 1/2" PH FL HD	35	3580170	Nameplate
8	3520420	Insert / Diffuser Stand-off	36	4181330	Tray, Glass Lwr-High
9	4161140	Light Diffuser Assy	37	4161310	Cold Plate Assy, Lower
10	3516451	Molding, Top RH	38	4161290	Switch Enclosure Assy (700TFI-3)
	3516452	Molding, Top LH		4161770	Switch Enclosure Assy (700TF-3)
11	3602320	Shelf, Glass Cantilever	39	4281131	Cold Plate Assy, Upr TF Srvc
12	3602270	Shelf Ladder, Left	40	NA	
13	6200710	Screw, #8-18 x 3/8" Fillister HD	41	NA	
14	3602280	Shelf Ladder, Right	42	NA	
15	6201270	Screw, #8-18 x 5/8" PH PN SS-Gnd	43	NA	
16	3541020	Closer, Drawer-RH	44	NA	
17	6200110	Screw, #10-12 x 5/8" Truss SS	45	NA	
18	3550720	Pin, White Thread	46	NA	
19	4134430	Drawer Assy, Slide-RH	47	4152070	Trim Assy, Top
20	6202030	Screw, 1/4-20 x 1/2" But HD, Patchlk	48	0167550	Bracket, Anti-Tip
21	4134440	Drawer Assy, Slide-LH	49	3421460	Bracket, Unit to Unit
22	0167661	Kickplate Bracket - RS	50	3754220	Door Panel Drilling Template
23	6200050	Screw, #10-12 x 1/2" Pan HD	51	4162610	Control Panel Assy, Service
24	3530430	Grille, Kickplate	52	6202050	Screw, #8-18X1/2 Ph Pn SS-Gnd
25	6201120	Screw, #8-18 X 2 Truss Hd			
26	6201330	Screw, #8 PH-Pan Head 1"			
27	0263080	Drain Pan, 700			

**700TF/I-3 COSMETIC VIEW**

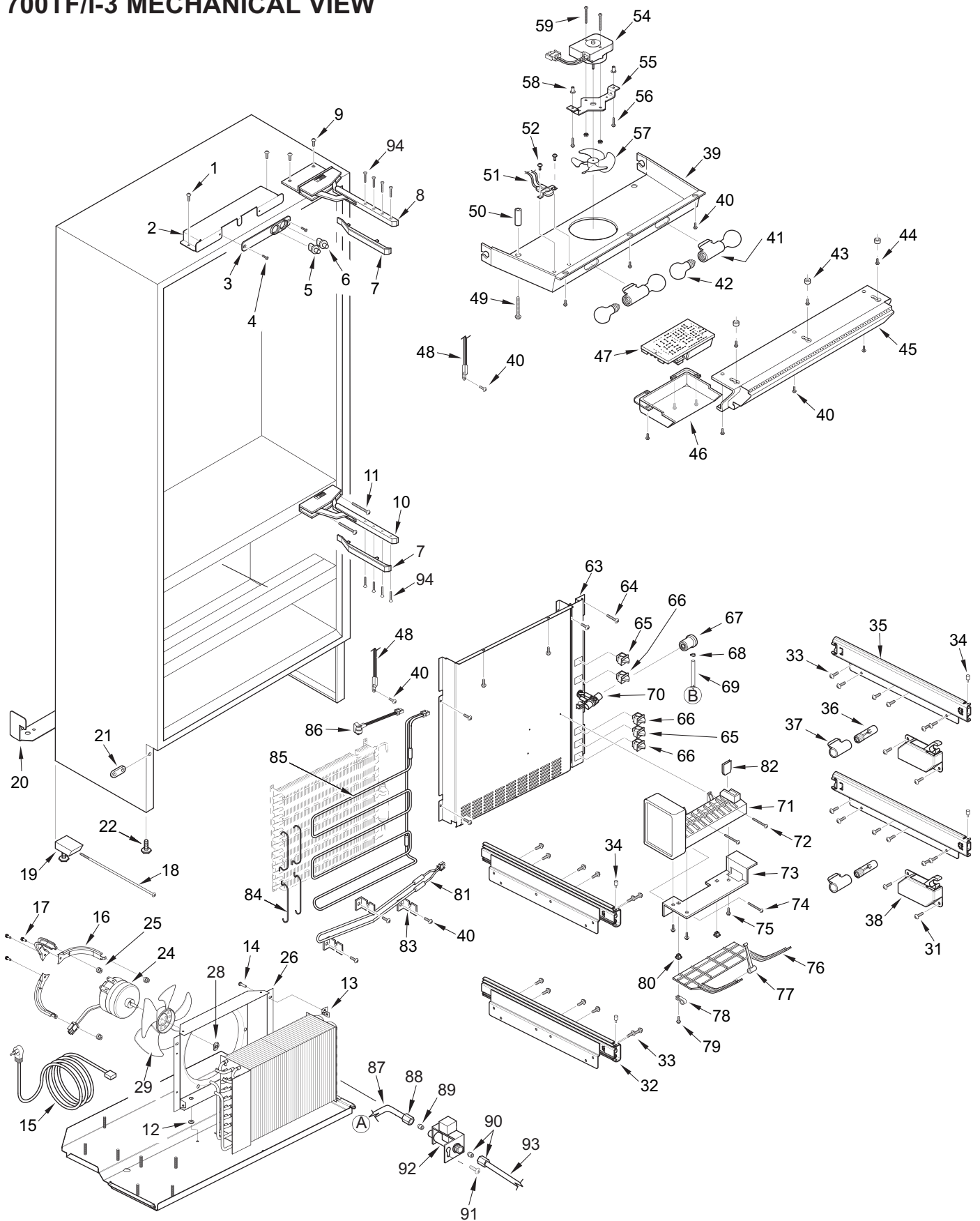




700TF/I-3 MECHANICAL PARTS LIST

Ref #	Part #	Description	Ref #	Part #	Description
1	6200010	Screw, #10-12 x 3/4" Pan HD	53	NA	
2	4161203	Switch Box Assy, Door (RH)	54	4200160	Motor Assy, Freezer Fan, Svce
	4161204	Switch Box Assy, Door (LH)	55	0260370	Bracket, Fan (Production)
3	3450920	Bracket, Switch Mounting	56	6201470	Screw, #8-32X3/4 SS
4	6200210	Screw, #8-32 x 1/2" Flat Head	57	3151000	Blade, Fre 130MM 4 Pedal Black
5	3060030	Switch, Light	58	6150850	Wellnut, #8-32
6	3060020	Switch, Fan	59	6201820	Screw,#8-32X1 3/4 SS PNHD
7	3541050	Hinge Cover	60	NA	
8	3541031	Hinge Assy, TOP - RH	61	NA	
	3541032	Hinge Assy, TOP - LH	62	NA	
9	6200780	Screw, #10-24 x 1/2" PH Hex Washer	63	4161290	Switch Enclosure Assy (700TFI)
10	3541041	Hinge Assy, MDL - RH		4161770	Switch Enclosure Assy (700TF)
	3541042	Hinge Assy, MDL - LH	64	6201120	Screw, #8-18 X 2 Truss Hd
11	6201600	Screw, 1/4-20X5/8 Sems But Hd	65	3060140	SPST Light Switch (2)
12	3220370	Grommet, 1/4" X 3/16"	66	3060130	SPST Fan/Icemaker Switch (3)
13	3450290	Bracket, Angle #8a	67	1607600	Water Inlet Tube
14	6200010	Screw, #10-12 x 3/4" Pan HD	68	6220470	Fill Tube Clamp
15	7002603	Cord,Power SVCE	69	2600617	Plastic Water Line (See SN Breaks)
16	0261150	Bracket, Cond Fan Mtg (3)		3024920	Tube, Plstc Water Pex (See SN Breaks)
17	6201580	Screw,#8-36 X 1/2 Nylon Patch	70	2605405	Tube, Extension Fill
18	3421500	Adjusting Rod		3070210	Heater, Fill Tube
19	4202000	Rear Leveler Assembly	71	4200520	Modular Icemaker
20	0167550	Bracket, Anti-Tip	<b>NOTE:</b> For individual icemaker service components, see pages 42 and 43.		
21	3421460	Bracket, Unit to Unit	72	6200320	Screw, #8-32 x 1/2" Truss Head
22	3570060	Bolt, Leveler 3/8-16X2-1/8	73	0167700	Bracket, Icemaker
23	3210340	Neoprene Silencer, 7/8"	74	6200320	Screw, #8-32 x 1/2" Truss Head
24	4200740	Motor Pkg, Cond Fan	75	6201000	Screw #8-32X3/8 Thread Forming
25	3220360	Grommet, Mtg Brkt	76	3140300	Arm, Icemaker Cntrl
26	4281310	Shroud Assy, Cond Fan Srvc	77	3421070	Rod, Connecting
27	NA		78	6120280	Clamp, Tube Nylon 3/16"
28	6150410	Nut, 1/4-20	79	6200140	Screw, #8-15 x 3/8" Truss HD
29	3150800	Blade, Condenser Forward-SW	80	6220220	Screw Grommet, 1/32 x 3/8" SQ
	3210340	Neoprene Silencer, 7/8"	81	3070150	Heater, Drain Trough
30	NA		82	3140360	Fill Cup Plug
31	6200110	Screw, #10-12 x 5/8" Truss SS	83	0234620	Bracket, Heater
32	4134430	Drawer Assy, Slide-RH	84	1801100	Clip, SS Heater Blower
33	6202030	Screw, 1/4-20 x 1/2" But HD, Patchlk	85	3070110	Heater, Defrost
34	3550720	White Thread Pin	86	3081230	Terminator, Defrost
35	4134440	Drawer Assy, Slide-LH	87	2600617	Plastic Water Line (See SN Breaks)
36	3030060	Bulb, Light 25W 1X2-1/2		3024920	Tube, Plstc Water Pex (See SN Breaks)
37	3050220	Socket, Light Int Base Sngl	88	3520030	Icemaker Nylon Nut, 1/4"
38	3541020	Closer, Drawer	89	3520050	Brass Insert, Solenoid
39	4230541	Shroud Assy, Ref FanSrvc	90	3520490	PCKG,Water Valve Fitting
40	6201270	Screw, #8-18 x 5/8" PH PN SS-Gnd	91	6200780	Screw, #10-24 x 1/2" PH Hex Washer
41	3050250	Socket, Light Med Base Dbl	92	4202790	Water Valve (See SN Breaks)
42	3030030	Bulb, Light 40W		4204630	Valve Assy, Quick Cnct (See SN Breaks)
43	6160240	Nylon Spacer	93	3024910	Tube, Plastic Wtr Pex (See SN Breaks)
44	6200720	Screw, #8-18 x 1/2" PH Truss HD	94	6110610	Screw, #10-24 x 3/4 FL Socket HD
45	4162610	Control Panel Assy, Service	<b>NOT SHOWN</b>		
46	4152050	Cover Assy, Control	3021140	W/H, Cabinet	
47	4204380	Board, Cntrl Service 600/700	3026470	W/H, Unit	
48	4204150	Thermistor, ASM Srvc Pkg	1601400	Drain Tube, Wire - 1/2" x 72"	
49	6201010	Screw, #8-15 x 2" Pan Head			
50	6220540	Screw Grommet/Stand-off, 1.375			
51	3082140	Light Terminator			
	3024310	W/H, Ref Light (Incl Terminator)			
52	6180010	Pop Rivet, 1/8"			

**700TF/I-3 MECHANICAL VIEW**



**700TF/I-3 SEALED SYSTEM PARTS LIST**

<u>Ref #</u>	<u>Part #</u>	<u>Description</u>
1	4204741	Pckg, Comp Fre VEGY (V-Spd) SRVC (Includes Inverter)
2	7003828	Inverter, VEGY Compressor Svce
3	3130540	Evaporator, Fre
4	4251800	Heat Exch, Fre
5	6201270	Screw, #8-18 x 5/8" PH PN SS-Gnd
6	NA	
7	NA	
8	NA	
9	3014230	Filter-Drier, High Side
10	0260341	Bracket, Drier
11	6120170	Locking Cable Tie, Red, 11-1/2"
12	3014100	Drier, Suction Line (Service Only)
13	6150220	Nut, 5/16-18 Hex Zinc (4 each compressor)
14	6240050	Washer, Flat 5/16" (4 each compressor)
15	6160070	Sleeve, 5/16 x 7/16 x 7/8" (4 each compressor)
16	3150170	Rubber Grommet, Large, 15/16" (4 each compressor)
17	3120400	Condenser
18	NA	Tray, Unit - Special Order, Contact Factory

**700TF/I-3 SEALED SYSTEM VIEW**

