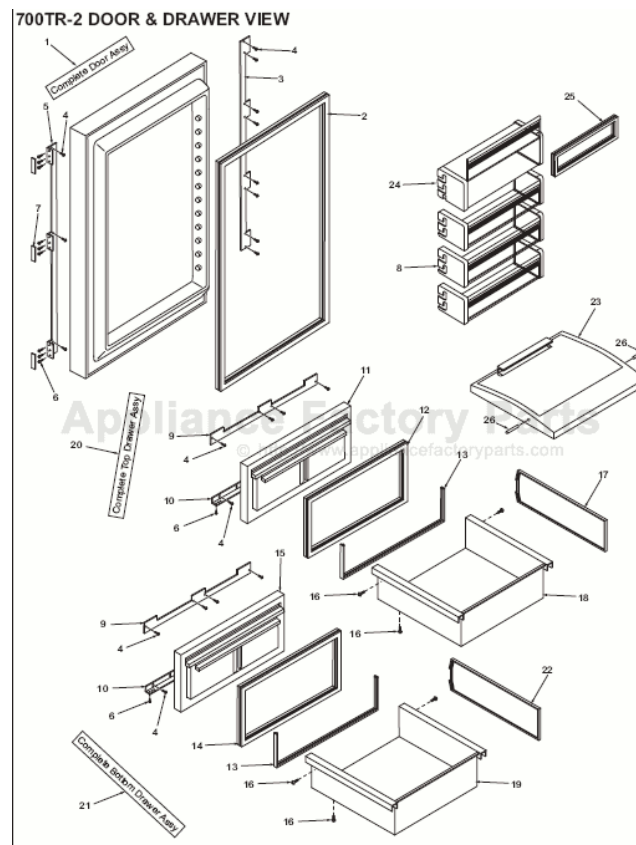


This Owner's Manual is provided and hosted by [Appliance Factory Parts](http://Appliance Factory Parts).



# SUBZERO 700TR-2 Owner's Manual

[Shop genuine replacement parts for SUBZERO 700TR-2](#)



[Find Your SUBZERO Refrigerator Parts - Select From 117 Models](#)

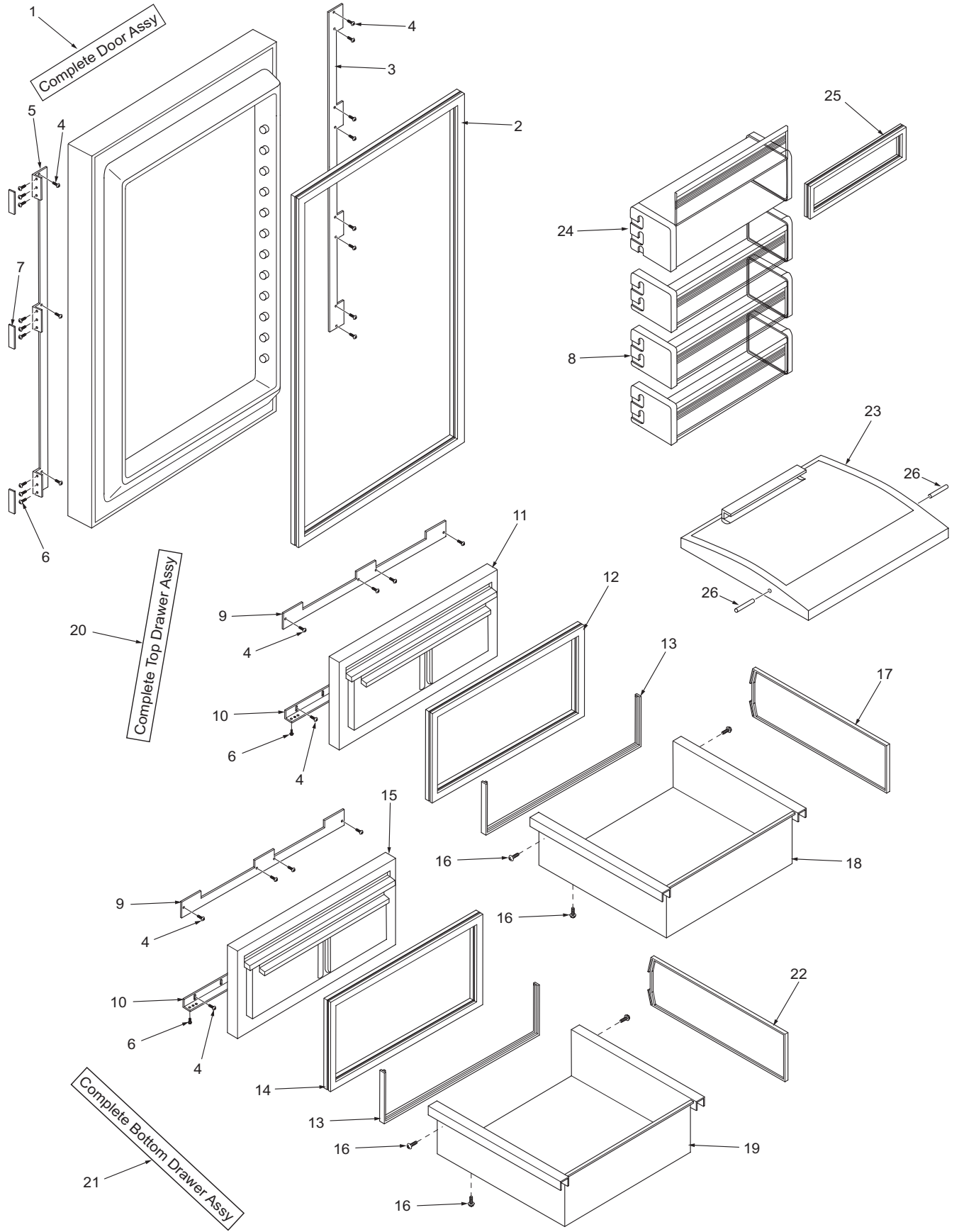
----- Manual continues below -----

**700TR-2 DOOR & DRAWER VIEW PARTS LIST**

| <u>Ref #</u> | <u>Part #</u> | <u>Description</u>                          |
|--------------|---------------|---|
| 1            | 4202011       | Door Assy, RH ( <i>Hinges not include</i> ) |
|              | 4202012       | Door Assy, LH ( <i>Hinges not include</i> ) |
| 2            | 3211510       | Door Gasket                                 |
| 3            | 0183610       | Door Panel Brkt-Handle Side                 |
| 4            | 6200720       | Screw, #8-18 x 1/2 PH Truss HD              |
| 5            | 0183600       | Door Panel Brkt-Hinge Side                  |
| 6            | 6201500       | Screw, #10X3/4 Drill PH Hex Was             |
| 7            | 3421490       | Panel Bracket Cover                         |
| 8            | 4181270       | Door Shelf Assembly                         |
| 9            | 0183580       | Drawer Panel Bracket-Upper                  |
| 10           | 0183590       | Drawer Panel Bracket-Lower                  |
| 11           | 4131710       | Upper Drawer Front Assembly                 |
| 12           | 3211520       | Upper Drawer Gasket                         |
| 13           | 3211560       | Seal, Tub White 37-5/8"                     |
| 14           | 3211540       | Lower Drawer Gasket                         |
| 15           | 4131740       | Lower Drawer Front Assy                     |
| 16           | 6200110       | Screw, #10-12 x 5/8" Truss SS               |
| 17           | 3601340       | Upper Drawer Divider                        |
| 18           | 3414060       | Tub, Upr Drawer                             |
| 19           | 3414070       | Tub, Lwr Drawer                             |
| 20           | 4134450       | Drawer Assy, Top                            |
| 21           | 4134460       | Drawer Assy, Bot                            |
| 22           | 3601350       | Lower Drawer Divider                        |
| 23           | 3470320       | Crisper Lid Assembly                        |
| 24           | 4181260       | Dairy Compartment Assembly (Includes Seal)  |
| 25           | 3211550       | Diary Compartment Seal                      |
| 26           | 3412240       | Pin, Crisper (2)                            |

**NOTE:** Door/Drawer panels on this model are a sales accessory. For part numbers of complete door panel sets or components of the door panel sets, contact the factory.

**700TR-2 DOOR & DRAWER VIEW**



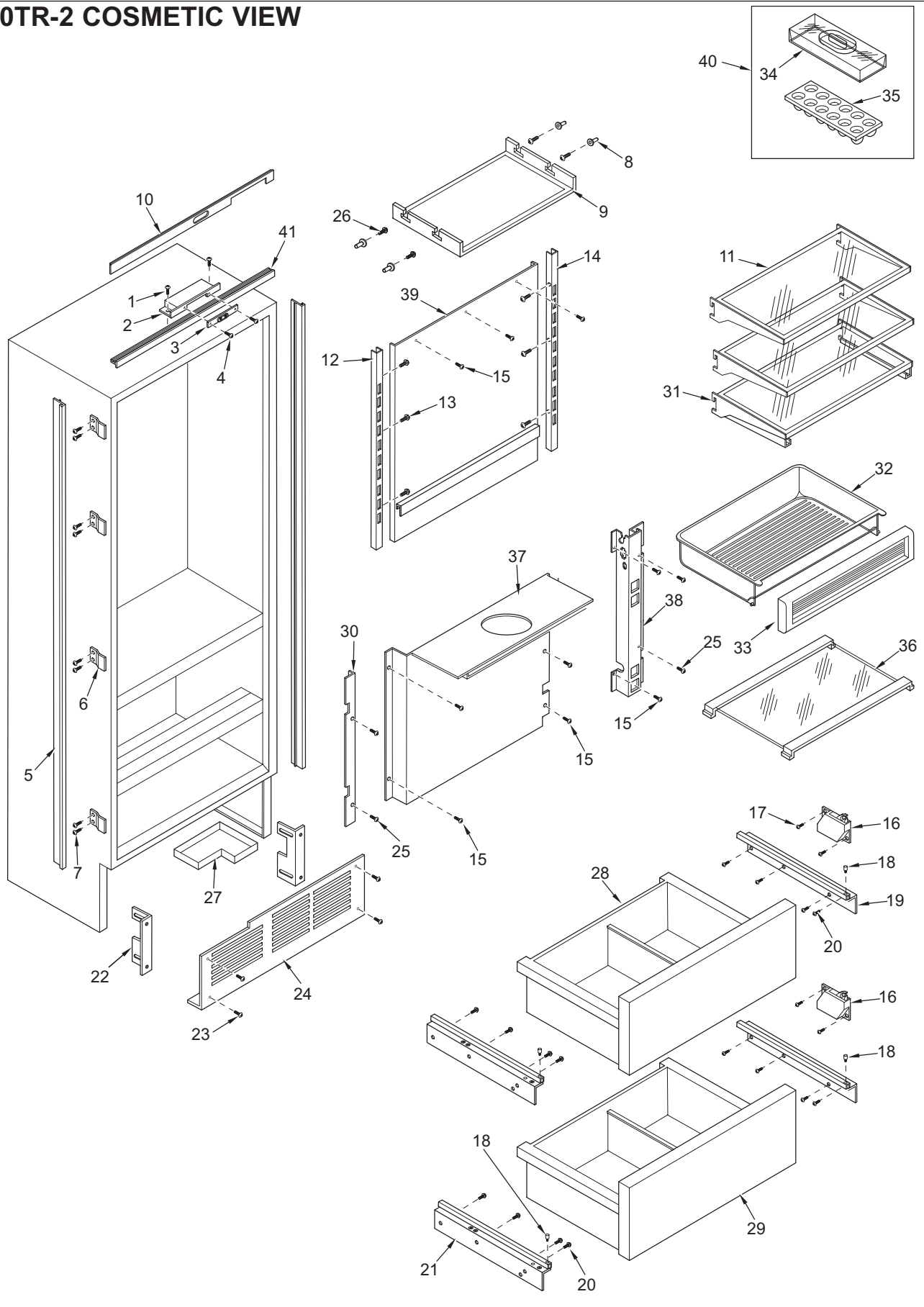
**700TR-2 COSMETIC VIEW PARTS LIST**

| <u>Ref #</u> | <u>Part #</u> | <u>Description</u>               | <u>Ref #</u> | <u>Part #</u> | <u>Description</u>                   |
|--------------|---------------|----------------------------------|--------------|---------------|--------------------------------------|
| 1            | 6200010       | Screw, #10-12 x 3/4" Pan HD      | 22           | 0167661       | Kickplate Bracket - RS               |
| 2            | 0212470       | Box, Ref Switch                  |              | 0167662       | Kickplate Bracket - LS               |
| 3            | 3450920       | Bracket, Switch Mounting         |              | 6200780       | Screw, #10-24 x 1/2" PH Hex Wash     |
| 4            | 6200210       | Screw, #8-32 x 1/2" Flat Head    | 23           | 6200050       | Screw, #10-12 x 1/2" Pan HD          |
| 5            | 3516010       | Molding, Side                    | 24           | 3530430       | Kickplate/Grille                     |
| 6            | 3421510       | Bracket, Unit to Cabinet         | 25           | 6201120       | Screw, #8-18 x 1.75 Truss SS         |
| 7            | 6200720       | Screw, Tap, #8 x 1/2" PH FL HD   | 26           | 6201330       | Screw, #8 PH-Pan Head 1"             |
| 8            | 3520420       | Insert / Diffuser Stand-off      | 27           | 0168880       | Pan, Drain                           |
| 9            | 4161140       | Light Diffuser Assy              | 28           | 4134450       | Drawer Assy, Top                     |
| 10           | 3516451       | Molding, Top RH                  | 29           | 4134460       | Drawer Assy, Bot                     |
|              | 3516452       | Molding, Top LH                  | 30           | 0234680       | Cover, Heat Exchanger                |
| 11           | 3602320       | Shelf, Glass Cantilever          | 31           | 4181291       | Shelf Assy, Deli-RH                  |
| 12           | 3602270       | Shelf Ladder, Left               |              | 4181292       | Shelf Assy, Deli-LH                  |
| 13           | 6200710       | Screw, #8-18 x 3/8" Fillister HD | 32           | 3412090       | Tray, Deli - 4"                      |
| 14           | 3602280       | Shelf Ladder, Right              |              | 4181300       | Tray Assy, Deli - 4" (Complete)      |
| 15           | 6201270       | Screw, #8-18 x 5/8" PH PN SS-Gnd | 33           | 3412100       | Front, Deli - 4"                     |
| 16           | 3541020       | Drawer Closer                    | 34           | 3412280       | Egg Tray Cover                       |
| 17           | 6200110       | Screw, #10-12 x 5/8" Truss SS    | 35           | 3412270       | Egg Tray                             |
| 18           | 3550720       | White Thread Pin                 | 36           | 4181320       | Lower Glass Tray                     |
| 19           | 4134430       | Drawer Assy, Slide-RH            | 37           | 4281120       | Cold Plate Assy, Lwr Ref (Fan Incl.) |
| 20           | 6201140       | Screw, 1/4-20 x 1/2" Sems But HD | 38           | 0212480       | Enclosure, Switch                    |
| 21           | 4134440       | Drawer Assy, Slide-LH            | 39           | 4281110       | Cold Plate Assy                      |
|              |               |                                  | 40           | 4131810       | Egg Tray with Cover                  |
|              |               |                                  | 41           | 4152070       | Trim Assy, Top                       |

**NOT PICTURED**

|         |                              |
|---------|------------------------------|
| 3580170 | Nameplate                    |
| 3754220 | Door Panel Drilling Template |
| 3421460 | Bracket-Unit to Unit         |

**700TR-2 COSMETIC VIEW**



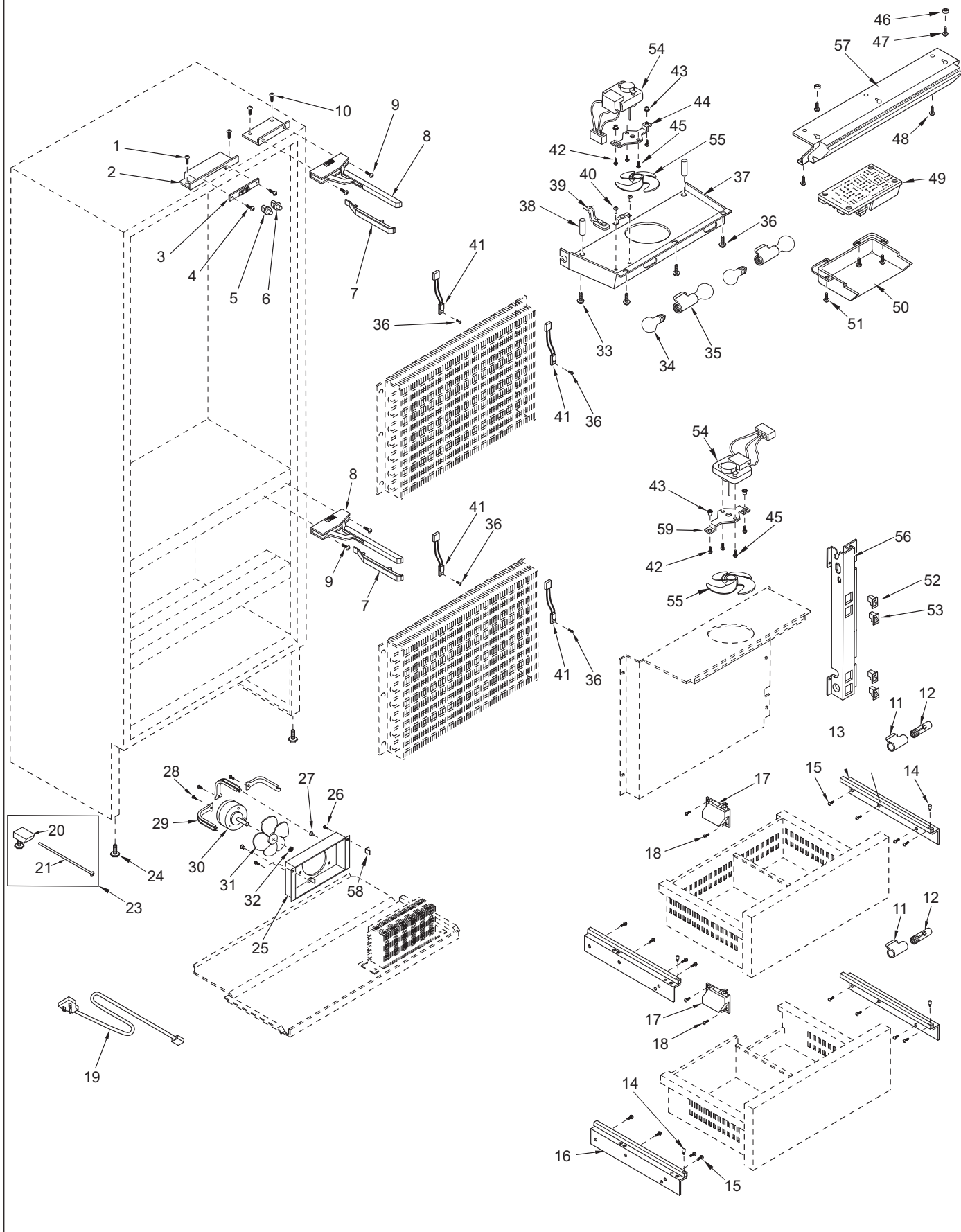
**700TR-2 MECHANICAL VIEW PARTS LIST**

| <u>Ref #</u> | <u>Part #</u> | <u>Description</u>                     | <u>Ref #</u> | <u>Part #</u> | <u>Description</u>                    |
|--------------|---------------|--|--------------|---------------|---------------------------------------|
| 1            | 6200010       | Screw, #10-12 x 3/4" Pan HD            | 30           | 4200740       | Motor Pkg, Cond Fan                   |
| 2            | 0212470       | Box, Ref Switch                        | 31           | 3150320       | Fan Blade, Cond -5 prop, 7"           |
| 3            | 3450920       | Bracket, Switch Mounting               | 32           | 6150410       | Nut, 1/4-20                           |
| 4            | 6200210       | Screw, #8-32 x 1/2" Flat Head          | 33           | 6201010       | Screw, #8-15 x 2" Pan Head            |
| 5            | 3060030       | Light Switch, N/C                      | 34           | 3030030       | Light Bulb, 40 Watt                   |
| 6            | 3060020       | Fan Switch, N/O                        | 35           | 3050180       | Light Socket, Dbl (See SN Breaks)     |
| 7            | 3541050       | Hinge Cover                            |              | 3050250       | Skt, Light M Base Dbl (See SN Breaks) |
| 8            | 3541031       | Hinge Assy, TOP - RH                   | 36           | 6201270       | Screw, #8-18 x 5/8" PH PN SS-Gnd      |
|              | 3541032       | Hinge Assy, TOP - LH                   | 37           | 4230540       | Shroud Assy, Ref Fan                  |
|              | 3541041       | Hinge Assy, MDL - RH                   | 38           | 6220540       | Screw Grommet/Stand-off, 1.375        |
|              | 3541042       | Hinge Assy, MDL - LH                   | 39           | 3082140       | Light Terminator                      |
| 9            | 6201140       | Screw, 1/4-20 x 1/2" Sems But HD       | 40           | 6180010       | Pop Rivet, 1/8"                       |
| 10           | 6200780       | Screw, #10-24 x 1/2" PH Hex Wash       | 41           | 3014350       | Thermistor                            |
| 11           | 3050010       | Light Sckt, 3/4 Sgl(See SN Breaks)     | 42           | 6201470       | Screw, #8-32X3/4 SS                   |
|              | 3050220       | Skt,Light Int Base Sngl(See SN Breaks) | 43           | 6150850       | Wellnut, #8-32                        |
| 12           | 3030060       | Light Bulb, 25 Watt                    | 44           | 0260360       | Bracket, Lower Compartment Fan        |
| 13           | 4134430       | Drawer Assy, Slide-RH                  | 45           | 6110270       | Bolt, #10-32 x 1/4" RD HD             |
| 14           | 3550720       | White Thread Pin                       | 46           | 6160240       | Nylon Spacer                          |
| 15           | 6201140       | Screw, 1/4-20 x 1/2" Sems But HD       | 47           | 6200720       | Screw, Tap, #8 x 1/2" PH FL HD        |
| 16           | 4134440       | Drawer Assy, Slide-LH                  | 48           | 6201270       | Screw, #8-18 x 5/8" PH PN SS-Gnd      |
| 17           | 3541020       | Drawer Closer                          | 49           | 4203320       | Pckg, Cntrl Board (See SN Breaks)     |
| 18           | 6200110       | Screw, #10-12 x 5/8" Truss SS          |              | 4203520       | Pckg, Cntrl Board (See SN Breaks)     |
| 19           | 4324800       | Retractor Assy, Power Cord             |              | 4324900       | Wire Hrns,Ctrl Brd (See SN Breaks)    |
| 20           | NA            | See 4202000                            | 50           | 4152050       | Cover Assy, Control                   |
| 21           | 3421500       | Adjusting Rod                          | 51           | 6201270       | Screw, #8-18 x 5/8" PH PN SS-Gnd      |
| 22           | NA            | NA                                     | 52           | 3060140       | SPST Light Switch                     |
| 23           | 4202000       | Rear Leveler Assembly                  | 53           | 3060130       | SPST Fan/Icemaker Switch              |
| 24           | 3570060       | Bolt, Leveler 3/8-16                   | 54           | 4203330       | Fan Package, Service                  |
| 25           | 4281310       | Shroud Assy, Cond Fan                  | 55           | 3150640       | Fan blade, Evaporator                 |
|              | 3220370       | Grommet, 1/4" X 3/16" (Not Shown)      | 56           | 0212480       | Enclosure, Switch                     |
| 26           | 6200010       | Screw, #10-12 x 3/4" Pan HD            |              | 4161260       | Switch Enclosure Assy, Lwr            |
| 27           | 3220360       | Grommet, Mtg Brkt                      | 57           | 4162600       | Control Panel Assy                    |
| 28           | 6201000       | Screw #8-32X3/8 Thread Forming         | 58           | 3450290       | Angle Bracket                         |
| 29           | 0167430       | Cond Fan Mtg Brkt (3 Required)         | 59           | 0260360       | Bracket, Lower Compartment Fan        |

**NOT PICTURED**

0167550 Anti-Tip Bracket

**700TR-2 MECHANICAL VIEW**



**700TR-2 SEALED SYSTEM VIEW PARTS LIST**

| <u>Ref #</u> | <u>Part #</u> | <u>Description</u>               |
|--------------|---------------|----------------------------------|
| 1            | 4201880       | Service Comp, Refrig. (EMI30HER) |
|              | 3111370       | Relay (For EMI30HER Comp)        |
|              | 3111410       | Overload (For EMI30HER Comp)     |
|              | 3111212       | Relay (For EMT30HSC Comp)        |
|              | 3111600       | Overload (For EMT30HSC Comp)     |
|              | 3111070       | Capacitor (For EMT30HSC Comp)    |
|              | 4323520       | Wire Harness, Run Capacitor      |
|              | 0167620       | Capacitor Mount Bracket          |
| 2            | 4251520       | Heat Exchanger, Ref              |
| 3            | 4201880       | Service Comp, Refrig. (EMI30HER) |
|              | 3111370       | Relay (For EMI30HER Comp)        |
|              | 3111410       | Overload (For EMI30HER Comp)     |
|              | 3111212       | Relay (For EMT30HSC Comp)        |
|              | 3111600       | Overload (For EMT30HSC Comp)     |
|              | 3111070       | Capacitor (For EMT30HSC Comp)    |
|              | 4323520       | Wire Harness, Run Capacitor      |
|              | 0167620       | Capacitor Mount Bracket          |
| 4            | 4251540       | Heat Exchanger, Ref              |
| 5            | 6150220       | Nut, 5/16-18 Hex Zinc            |
| 6            | 6240090       | Lock Washer, 5/16"               |
| 7            | 6240050       | Flat Washer, 5/16"               |
| 8            | 6160070       | Sleeve, 5/16 x 7/16 x 7/8"       |
| 9            | 3150170       | Rubber Grommet, Large, 15/16"    |
| 10           | 4311110       | Unit Tray Assembly               |
| 11           | 3120340       | Condenser                        |
| 12           | 6150080       | Nut-Flat, #10-24                 |
| 13           | 6110020       | Bolt, #10-24 x 3/8" Truss HD     |
| 14           | 3130550       | Evaporator, Ref                  |
| 15           | 6201270       | Screw, #8-18 x 5/8" PH PN SS-Gnd |
| 16           | 3130560       | Evaporator, Ref                  |
| 17           | 3014230       | Filter-Drier, High Side          |
| 18           | 0260340       | Bracket, Drier                   |

**700TR-2 SEALED SYSTEM VIEW**

