



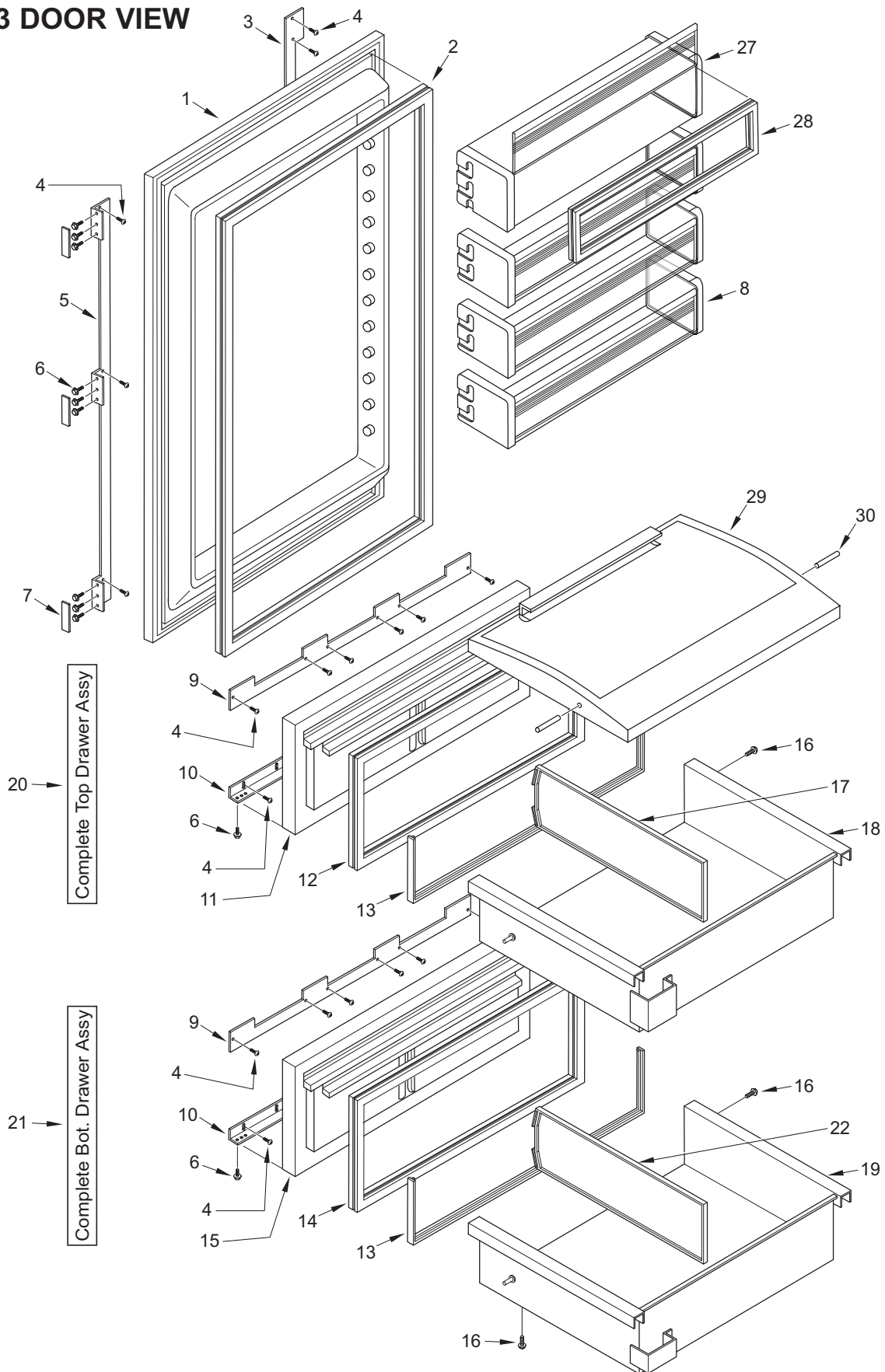
700TR-3 DOOR PARTS LIST

| <u>Ref #</u> | <u>Part #</u> | <u>Description</u> | <u>Ref #</u> | <u>Part #</u> | <u>Description</u> |
|--------------|---------------|---|--------------|---------------|--|
| 1 | 4202011 | Door Assy, RH (<i>Hinges not include</i>) | 16 | 6200110 | Screw, #10-12 x 5/8" Truss SS |
| | 4202012 | Door Assy, LH (<i>Hinges not include</i>) | 17 | 3601340 | Divider, Top Drawer |
| 2 | 3212210 | Gasket, Door | 18 | 3414060 | Tub, Upr Drawer |
| 3 | 3421960 | Brkt, Door Panel Mtg Handle Side | 19 | 3414070 | Tub, Lwr Drawer |
| 4 | 6200720 | Screw, #8-18 x 1/2 PH Truss HD | 20 | 4134450 | Drawer Assy, Top |
| 5 | 3421950 | Brkt, Door Panel Mtg Hinge Side | 21 | 4134460 | Drawer Assy, Bot |
| 6 | 6201500 | Screw, #10X3/4 Drill PH Hex Was | 22 | 3601350 | Lower Drawer Divider |
| 7 | 3421490 | Panel Bracket Cover | 23 | NA | |
| 8 | 4181270 | Door Shelf Assembly | 24 | NA | |
| 9 | 3421930 | Bracket, Door Panel-Upper | 25 | NA | |
| 10 | 3421940 | Bracket, Door Panel-Lower | 26 | NA | |
| 11 | 4131710 | Upper Drawer Front Assembly | 27 | 4181260 | Dairy Compartment Assy (Includes Seal) |
| 12 | 3212220 | Gasket, Drawer-UPR | 28 | 3211550 | Diary Compartment Seal |
| 13 | 3211560 | Seal, Tub White 37-5/8" | 29 | 3470320 | Lid Assy, Crisper |
| 14 | 3212230 | Gasket, Drawer-LWR | 30 | 3412240 | Pin, Crisper (2) |
| 15 | 4131740 | Lower Drawer Front Assy | | | |

NOTE: Door/Drawer panels on this model are a sales accessories. For part numbers of complete door panel sets or components of the door panel sets, contact the factory.



700TR-3 DOOR VIEW

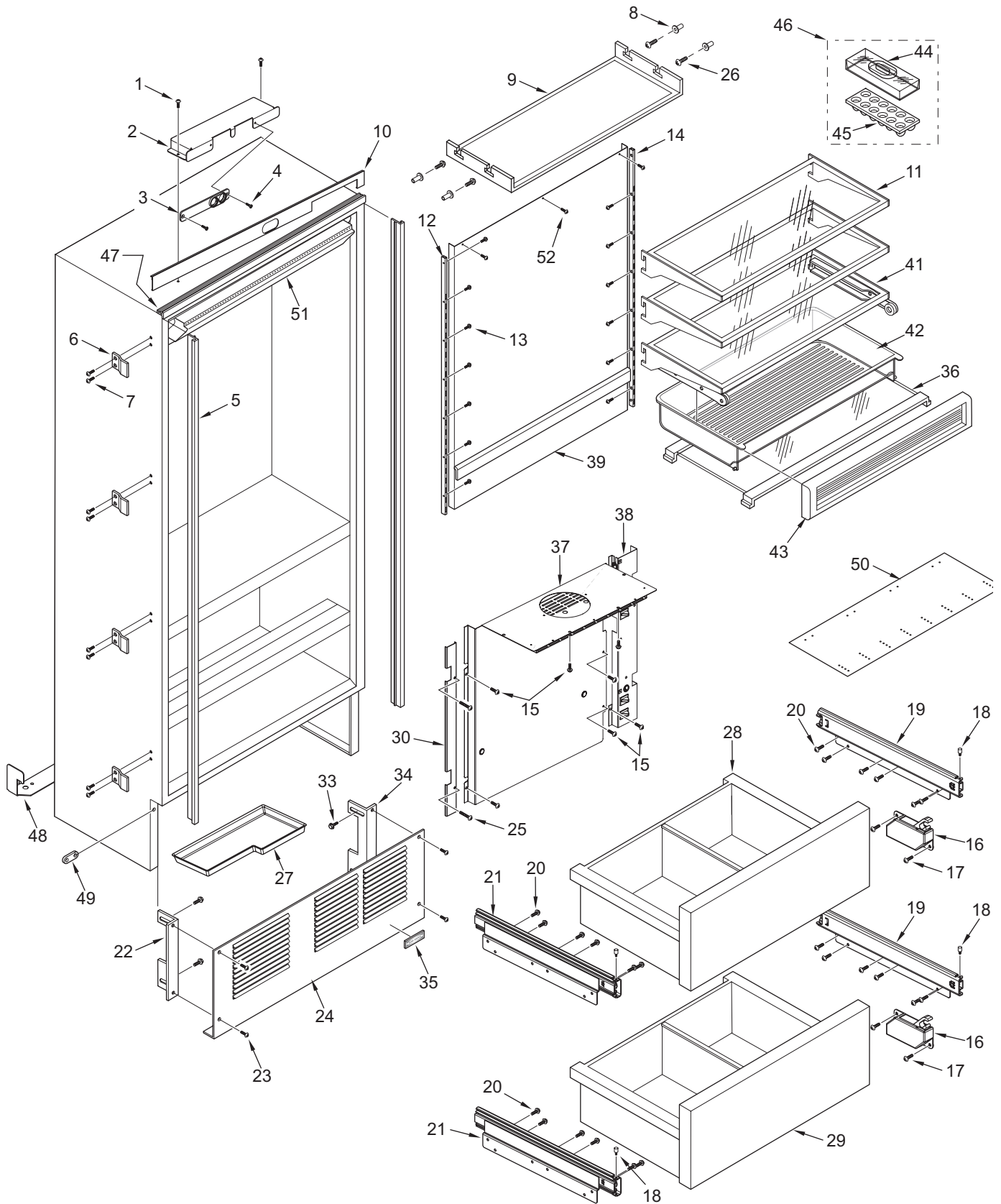




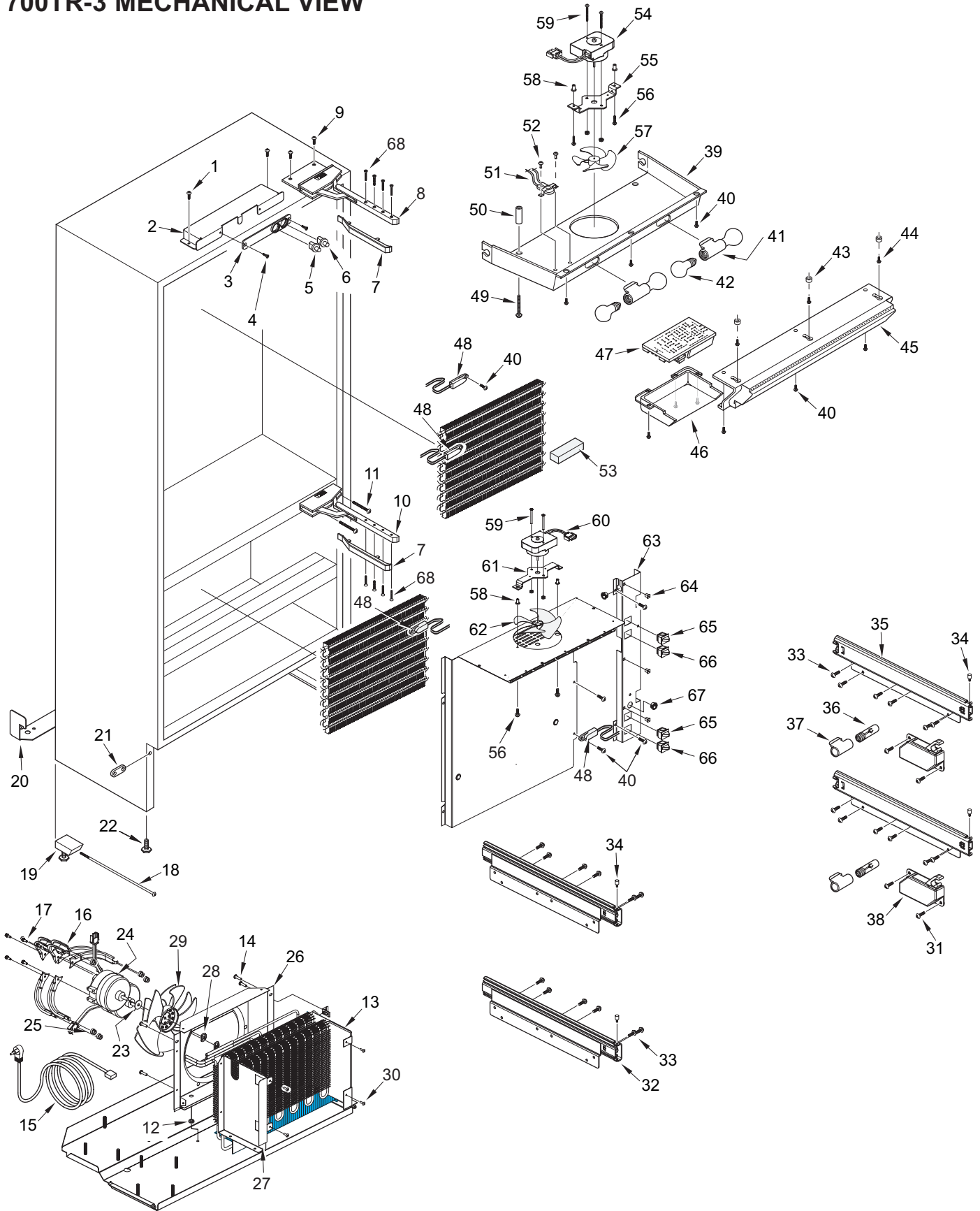
700TR-3 COSMETIC PARTS LIST

| <u>Ref #</u> | <u>Part #</u> | <u>Description</u> | <u>Ref #</u> | <u>Part #</u> | <u>Description</u> |
|--------------|---------------|--------------------------------------|--------------|---------------|-------------------------------------|
| 1 | 6200010 | Screw, #10-12 x 3/4" Pan HD | 26 | 6201330 | Screw, #8 PH-Pan Head 1" |
| 2 | 4161203 | Switch Box Assy, Door (RH) | 27 | 0263080 | Drain Pan, 700 |
| | 4161204 | Switch Box Assy, Door (LH) | 28 | NA | See Drawer View & Drawer Parts List |
| 3 | 3450920 | Bracket, Switch Mounting | 29 | NA | See Drawer View & Drawer Parts List |
| 4 | 6200210 | Screw, #8-32 x 1/2" Flat Head | 30 | 0234680 | Cover, Heat Exchanger |
| 5 | 3516010 | Molding, Side | 31 | NA | |
| 6 | 3421510 | Bracket, Ref to Cabinet | 32 | NA | |
| 7 | 6200720 | Screw, Tap, #8 x 1/2" PH FL HD | 33 | 6200780 | Screw, #10-24 x 1/2" PH Hex Wash |
| 8 | 3520420 | Insert / Diffuser Stand-off | 34 | 0167662 | Kickplate Bracket - LS |
| 9 | 4161140 | Light Diffuser Assy | 35 | 3580170 | Nameplate |
| 10 | 3516451 | Molding, Top RH | 36 | 4181320 | Tray, Glass Lwr-Low |
| | 3516452 | Molding, Top LH | 37 | 4281121 | Cold Plate Assy, Lwr TR3 Srvc |
| 11 | 3602320 | Shelf, Glass Cantilever | 38 | 4162991 | Switch Box Assy, Lwr TR3 SRVC |
| 12 | 3602270 | Shelf Ladder, Left | 39 | 4281691 | Cold Plate Assy, Ref Srvc |
| 13 | 6200710 | Screw, #8-18 x 3/8" Fillister HD | 40 | NA | |
| 14 | 3602280 | Shelf Ladder, Right | 41 | 4181291 | Shelf Assy, Deli-RH |
| 15 | 6201270 | Screw, #8-18 x 5/8" PH PN SS-Gnd | | 4181292 | Shelf Assy, Deli-LH |
| 16 | 3541020 | Closer, Drawer-RH | 42 | 4181300 | Tray Assy, Deli - 4" (Complete) |
| 17 | 6200110 | Screw, #10-12 x 5/8" Truss SS | 43 | NA | See 4181300 |
| 18 | 3550720 | Pin, White Thread | 44 | 3412280 | Egg Tray Cover |
| 19 | 4134430 | Drawer Assy, Slide-RH | 45 | 3412270 | Egg Tray |
| 20 | 6202030 | Screw, 1/4-20 x 1/2" But HD, Patchlk | 46 | 4131810 | Egg Tray with Cover |
| 21 | 4134440 | Drawer Assy, Slide-LH | 47 | 4152070 | Trim Assy, Top |
| 22 | 0167661 | Kickplate Bracket - RS | 48 | 0167550 | Bracket, Anti-Tip |
| 23 | 6200050 | Screw, #10-12 x 1/2" Pan HD | 49 | 3421460 | Bracket, Unit to Unit |
| 24 | 3530430 | Grille, Kickplate | 50 | 3754220 | Door Panel Drilling Template |
| 25 | 6201120 | Screw, #8-18 X 2 Truss Hd | 51 | 4162600 | Control Panel Assy, Service |
| | | | 52 | 6202050 | Screw, #8-18X1/2 Ph Pn SS-Gnd |

700TR-3 COSMETIC VIEW



700TR-3 MECHANICAL VIEW





700TR-3 SEALED SYSTEM PARTS LIST

| <u>Ref #</u> | <u>Part #</u> | <u>Description</u> |
|--------------|---------------|---|
| 1 | 4201880 | Compressor, Refrig. (EMI30HER - Service Compressor) |
| | 3111370 | Relay, (1351400 - Used w/EMI30HER Service Comp.) |
| | 3111410 | Overload, (4TM734LFB - Used w/EMI30HER Service Comp.) |
| 2 | 3112211 | Electrical Assy, EMU30HSC (Used with EMU30HSC Production Comp.) |
| 3 | 3112500 | Capacitor, 12MF (Used with EMU30HSC Production Comp.) |
| 4 | 3112420 | Term Cvr Spring, EGZ80 (Used with EMT30HSC Production Comp.) |
| 5 | 4201880 | Compressor, Refrig. (EMI30HER - Service Compressor) |
| | 3111370 | Relay, (1351400 - Used w/EMI30HER Service Comp.) |
| | 3111410 | Overload, (4TM734LFB - Used w/EMI30HER Service Comp.) |
| 6 | 3112211 | Electrical Assy, EMU30HSC (Used with EMU30HSC Production Comp.) |
| 7 | 3112500 | Capacitor, 12MF (Used with EMU30HSC Production Comp.) |
| 8 | 3112420 | Term Cvr Spring, EGZ80 (Used with EMT30HSC Production Comp.) |
| 9 | 3014230 | Filter-Drier, High Side |
| 10 | 0260341 | Bracket, Drier |
| 11 | 6120170 | Locking Cable Tie, Red, 11-1/2" |
| 12 | 3014100 | Drier, Suction Line (Service Only) |
| 13 | 6150220 | Nut, 5/16-18 Hex Zinc (4 each compressor) |
| 14 | 6240050 | Washer, Flat 5/16" (4 each compressor) |
| 15 | 6160070 | Sleeve, 5/16 x 7/16 x 7/8" (4 each compressor) |
| 16 | 3150170 | Rubber Grommet, Large, 15/16" (4 each compressor) |
| 17 | 3120450 | Condenser, Witre on Tube |
| 18 | NA | Tray, Unit - Special Order, Contact Factory |
| 19 | 3130640 | Evaporator, Ref |
| 20 | 4251680 | Heat Exch, Upper |
| 21 | 6201270 | Screw, #8-18 x 5/8" PH PN SS-Gnd |
| 22 | 3130640 | Evaporator, Ref |
| 23 | NA | |
| 24 | 4251670 | Heat Exch, Lower |
| 25 | 6201330 | Screw, #8 PH-Pan Head 1" |
| 26 | 6231490 | Tape, Foam XLPE |



700TR-3 SEALED SYSTEM VIEW

